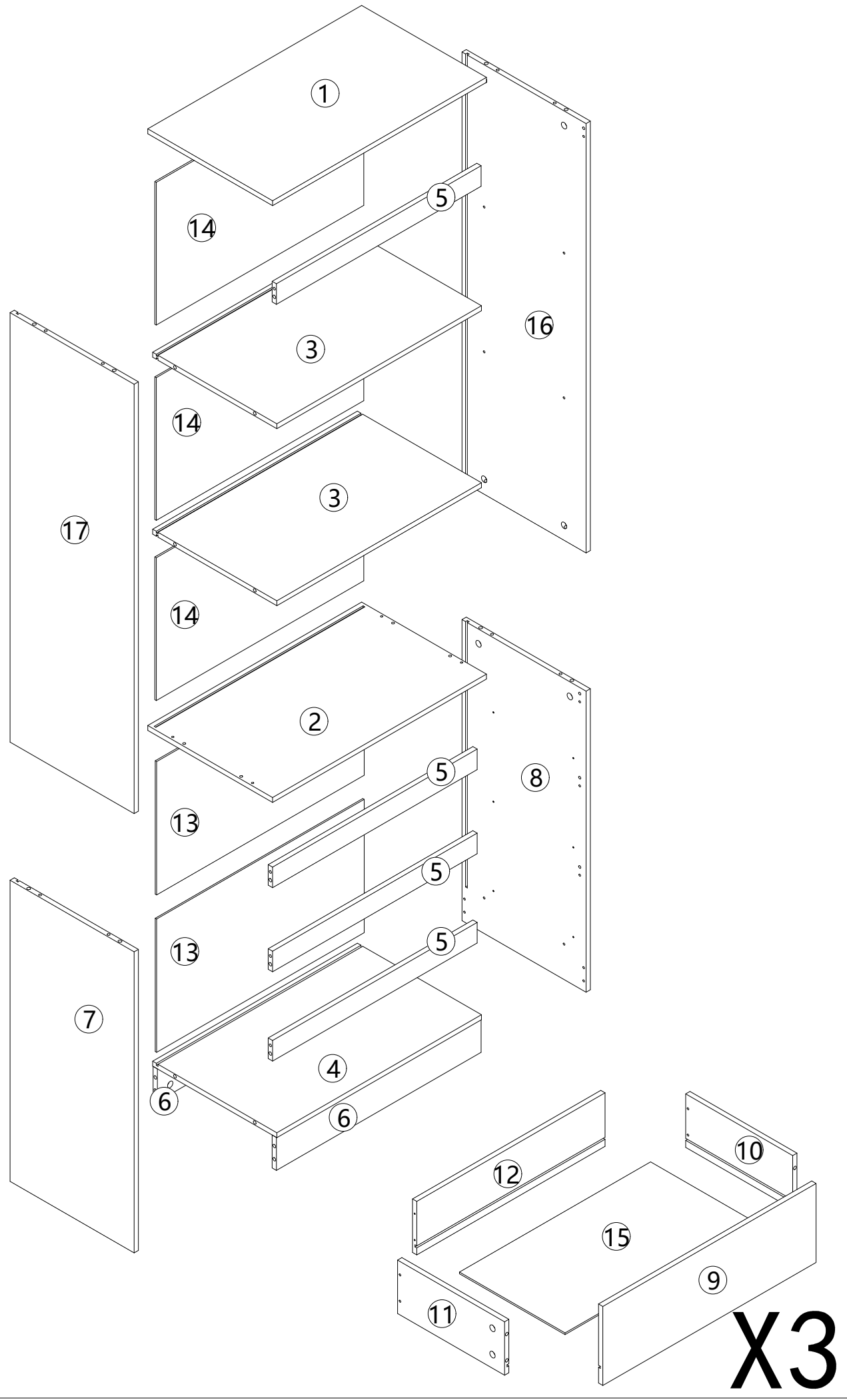


Bookcase

ASSEMBLY INSTRUCTION



ASSEMBLY INSTRUCTION

<p>① 1PC</p>	<p>② 1PC</p>	<p>③ 2PCS</p>	
<p>④ 1PC</p>	<p>⑤ 4PCS</p>	<p>⑥ 2PCS</p>	
<p>⑦ 1PC</p>	<p>⑧ 1PC</p>	<p>⑨ 3PCS</p>	
<p>⑩ 3PCS</p>	<p>⑪ 3PCS</p>	<p>⑫ 3PCS</p>	
<p>⑬ 2PCS</p>	<p>⑭ 3PCS</p>	<p>⑮ 3PC</p>	
<p>⑯ 1PC</p>		<p>⑰ 1PC</p>	

<p>A 52PCS</p>	<p>B 52PCS</p>	<p>C 20PCS</p> <p>M6*30</p>	<p>D 24PCS</p> <p>M3.5*12</p>	<p>E 12PCS</p> <p>M3.5*40</p>	<p>F 20PCS</p>	<p>G 2PCS</p>	<p>3PCS</p> <p>CL DL DR CR</p>	<p>1PC</p>	
----------------	----------------	-----------------------------	-------------------------------	-------------------------------	----------------	---------------	--	------------	--

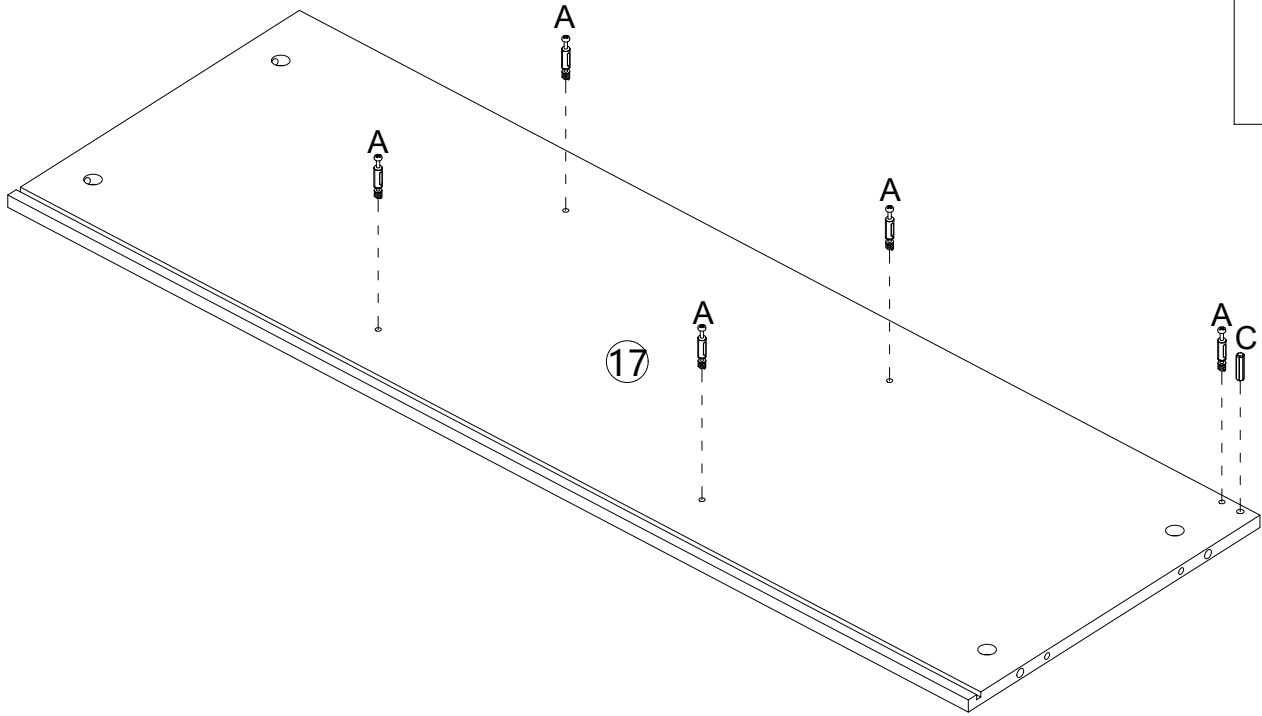
ASSEMBLY INSTRUCTION

STEP1

A 5PCS

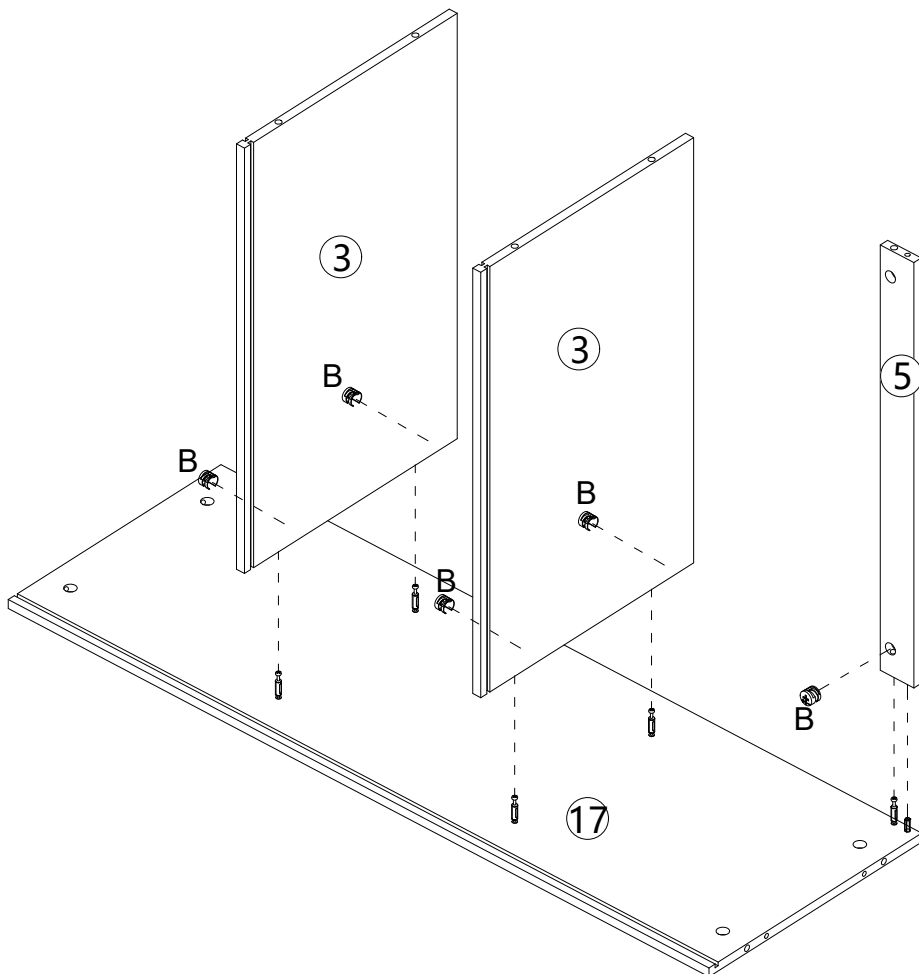


C 1PC



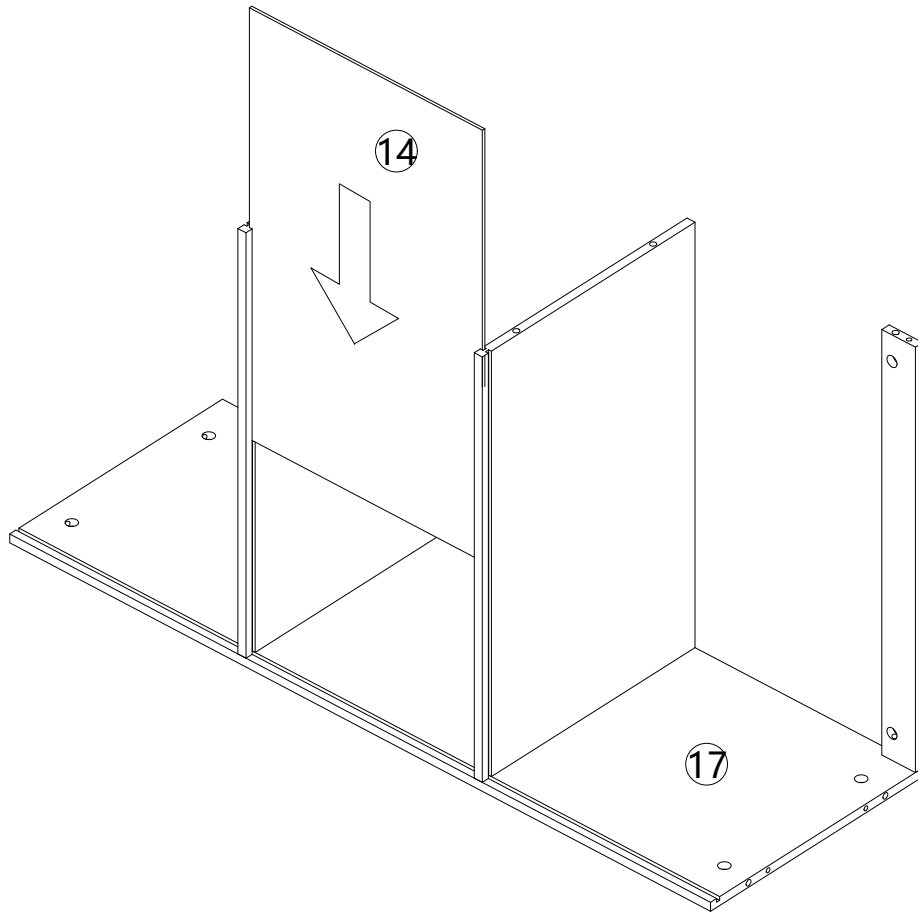
STEP2

B 5PCS

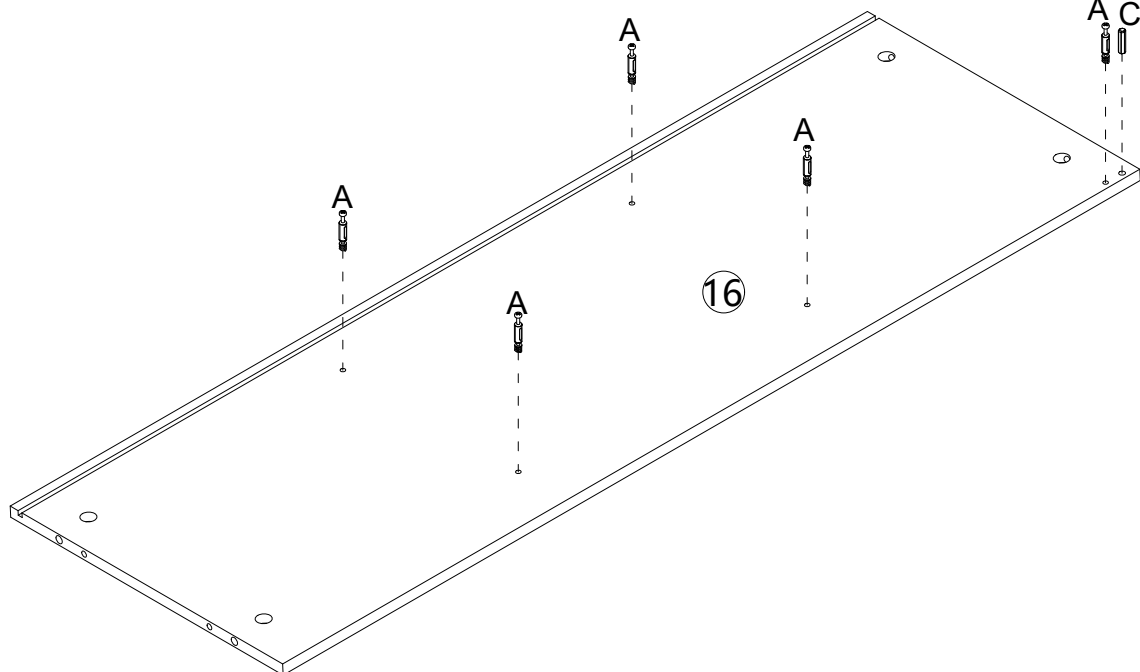


ASSEMBLY INSTRUCTION

STEP3



STEP4



A 5PCS

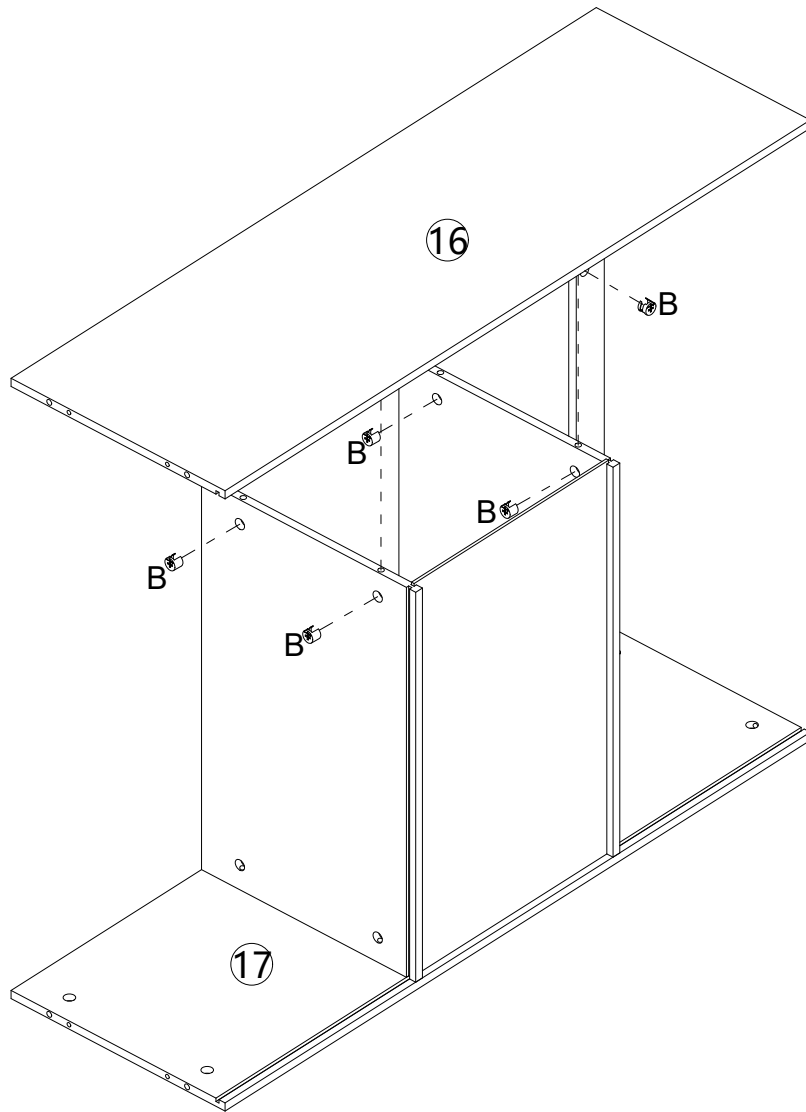


C 1PC

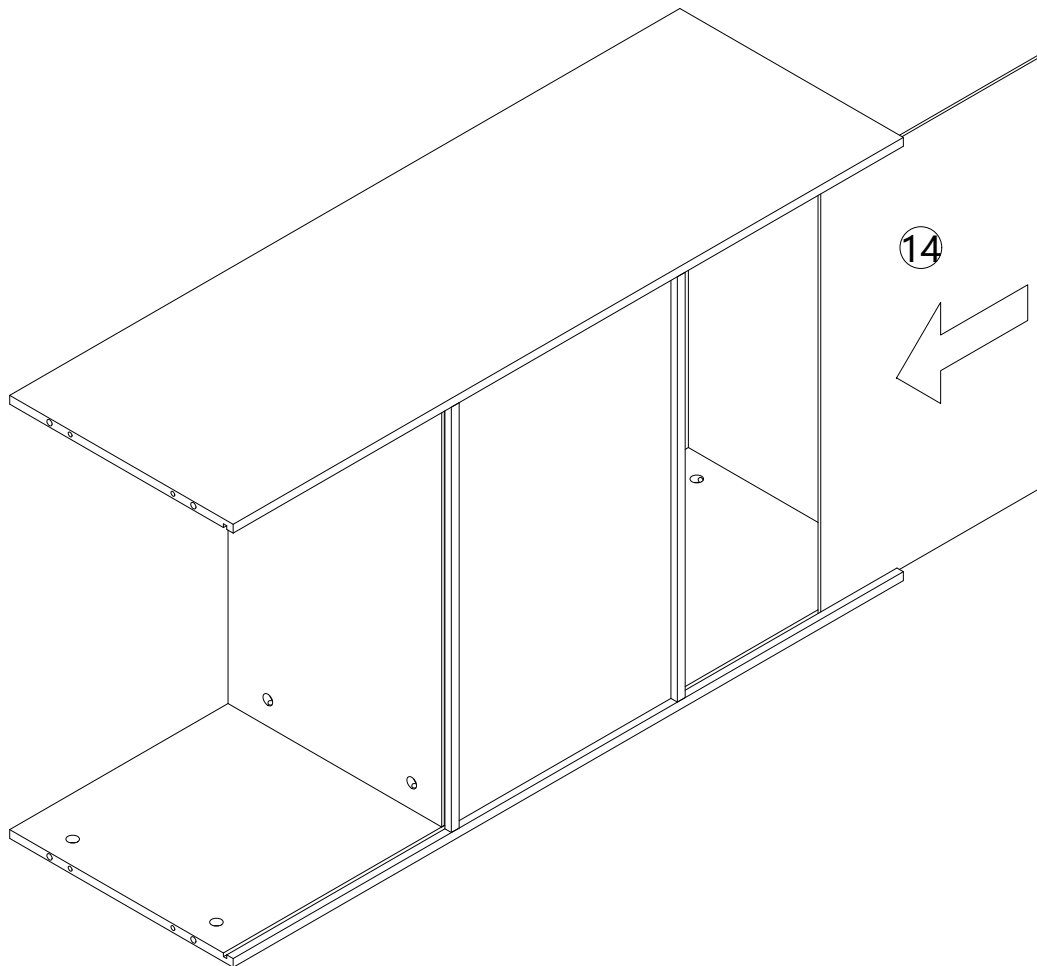


STEP5

B 5PCS

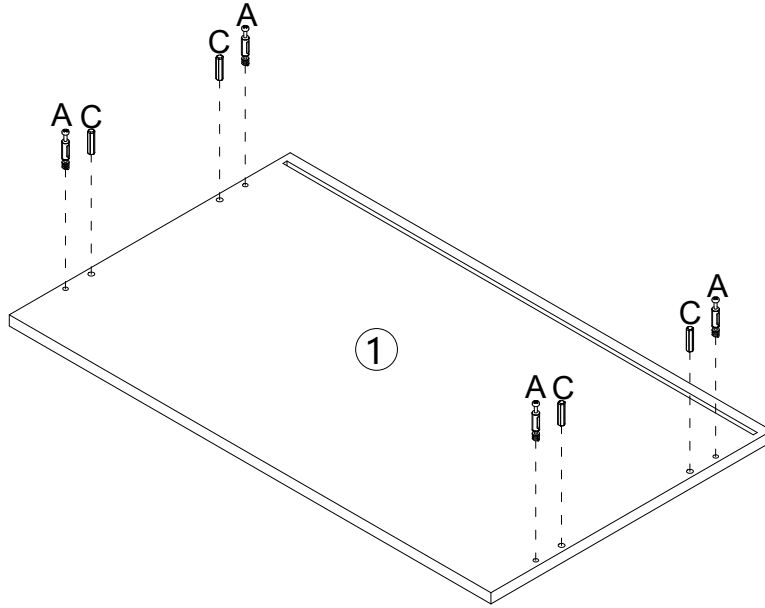


STEP6



ASSEMBLY INSTRUCTION

STEP7



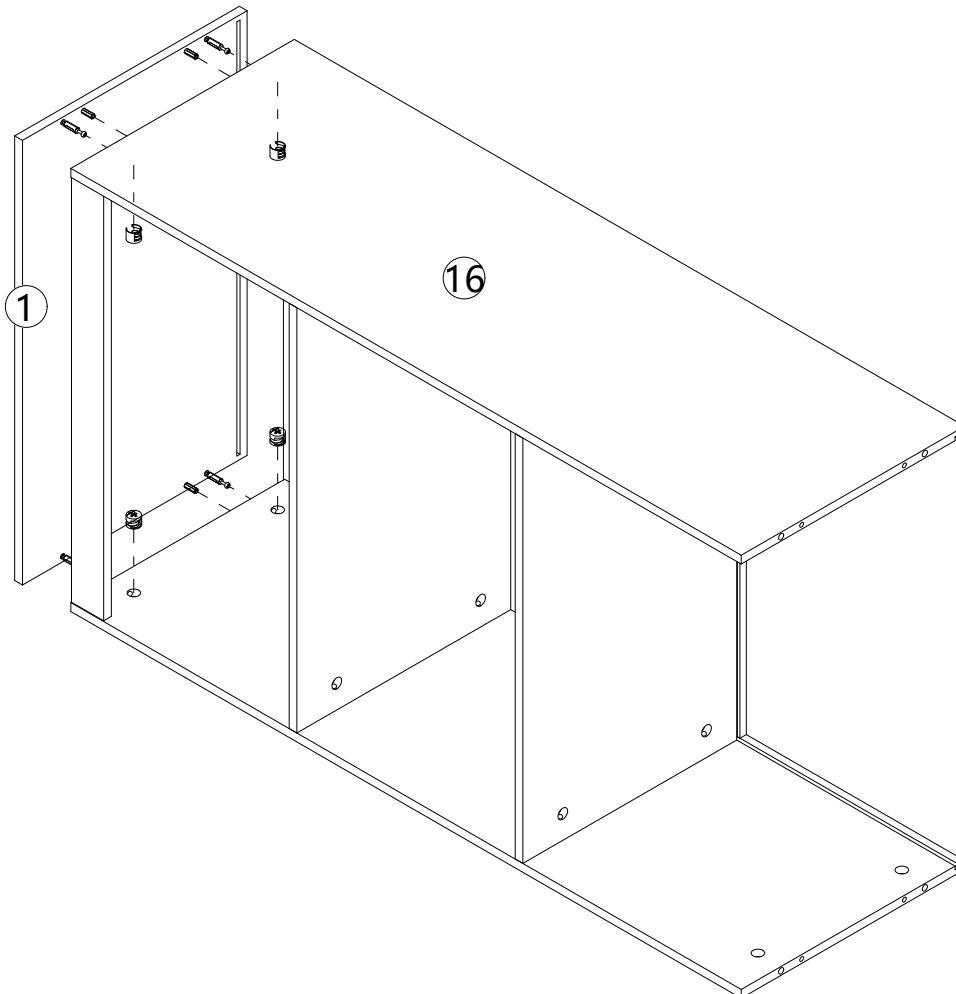
A 4PCS



C 4PCS



STEP8

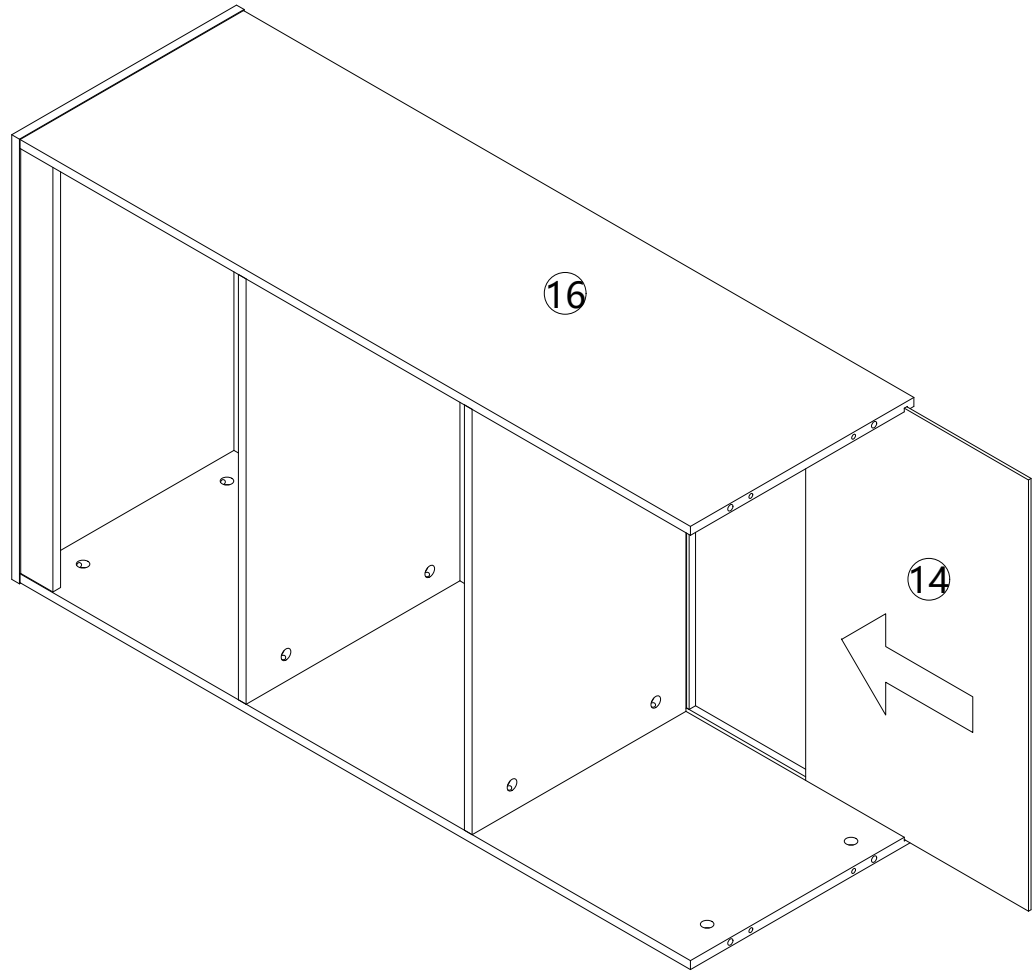


B 4PCS

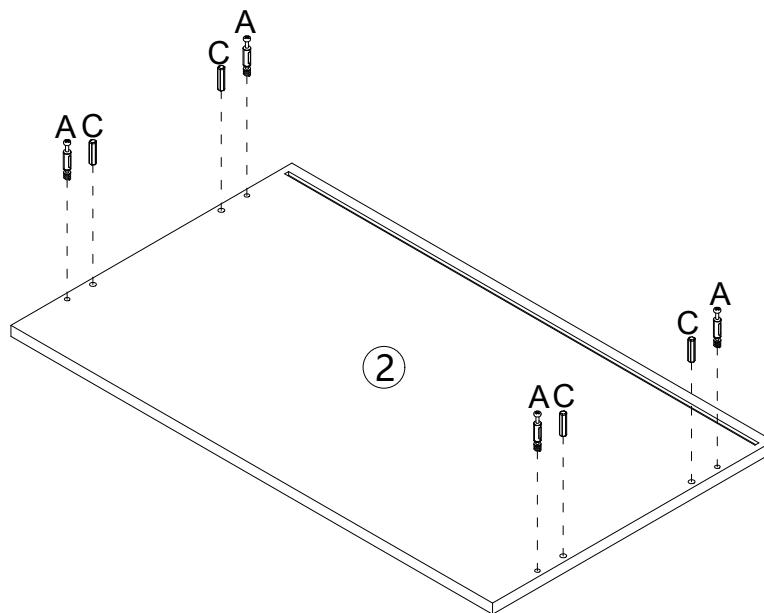


ASSEMBLY INSTRUCTION

STEP9



STEP10



A 4PCS



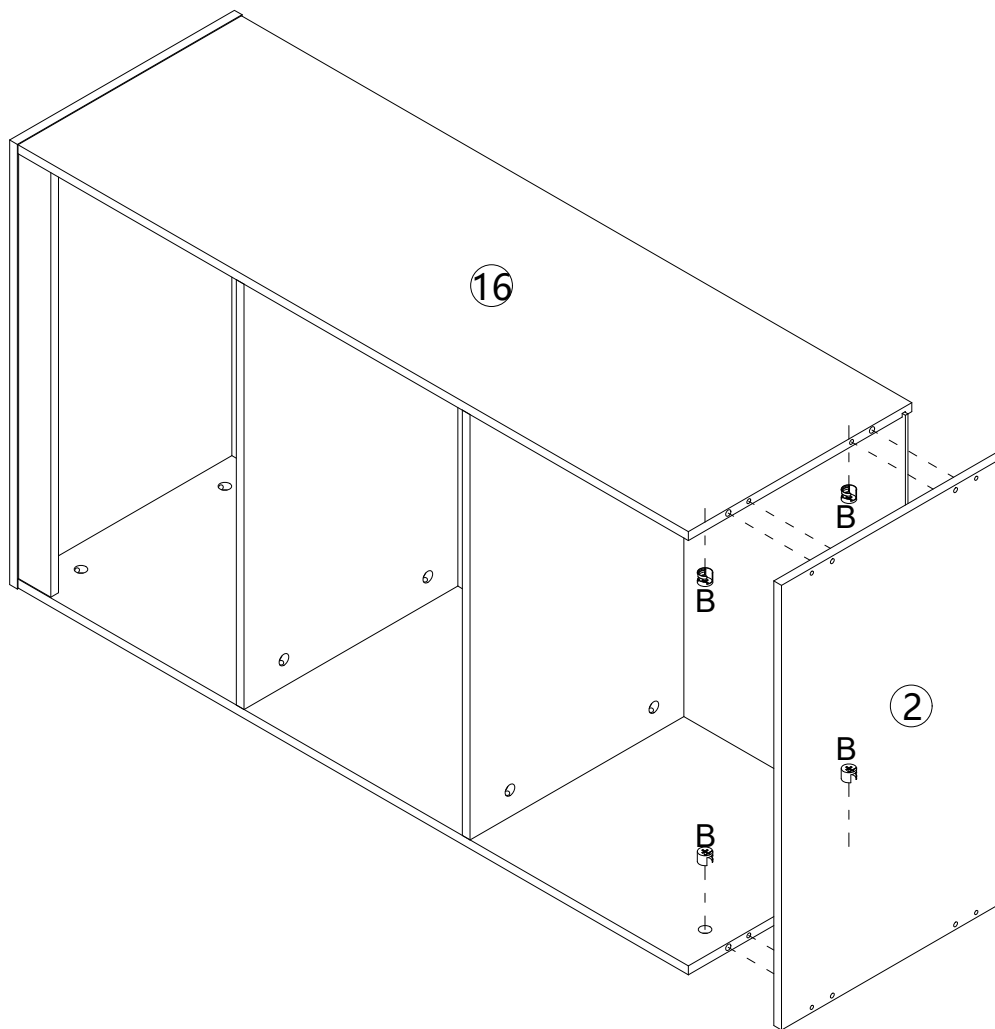
C 4PCS



Pay attention to the alignment of the directional holes. The installation is incorrect. Flip it over to the other side

ASSEMBLY INSTRUCTION

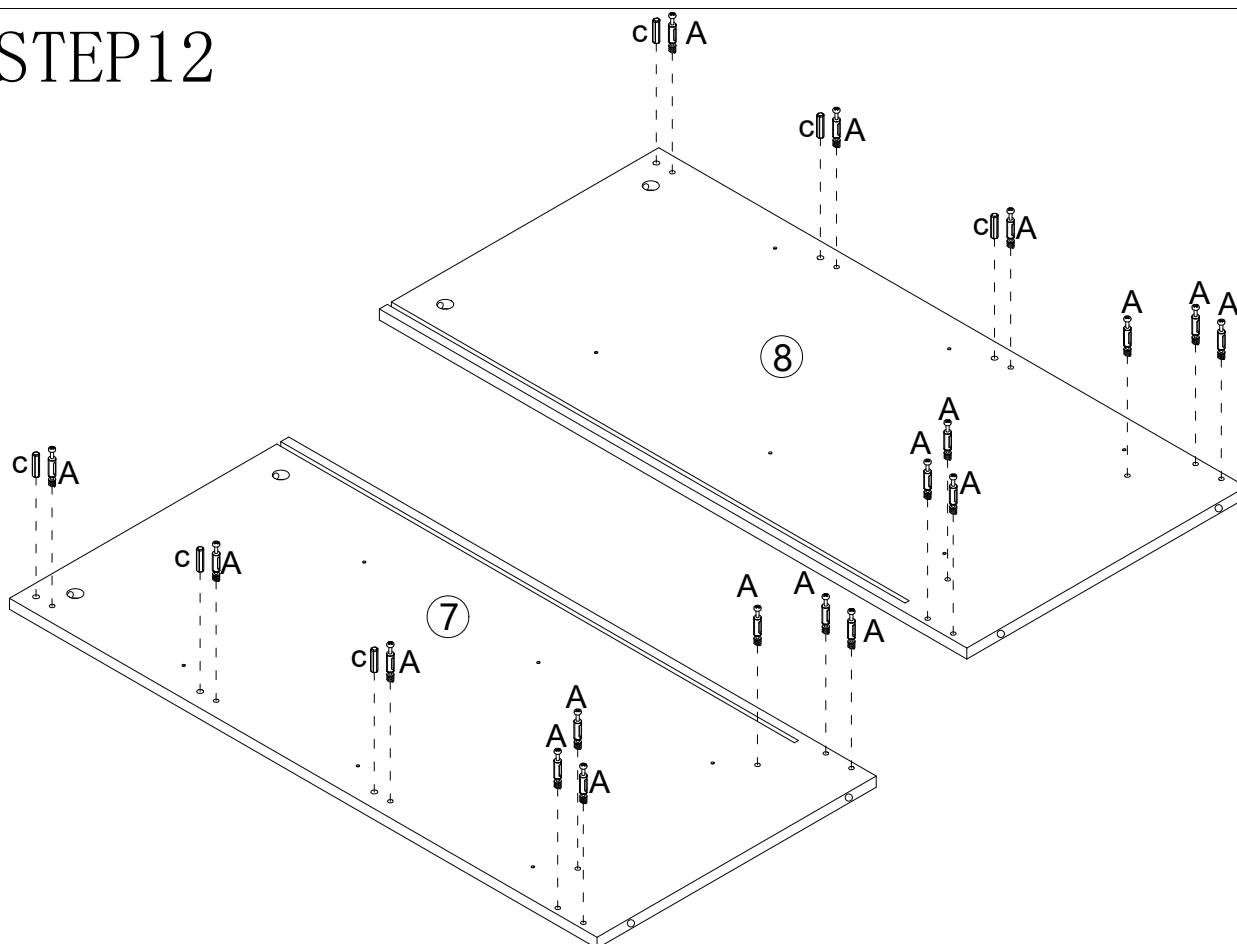
STEP11



B 4PCS



STEP12



A 18PCS

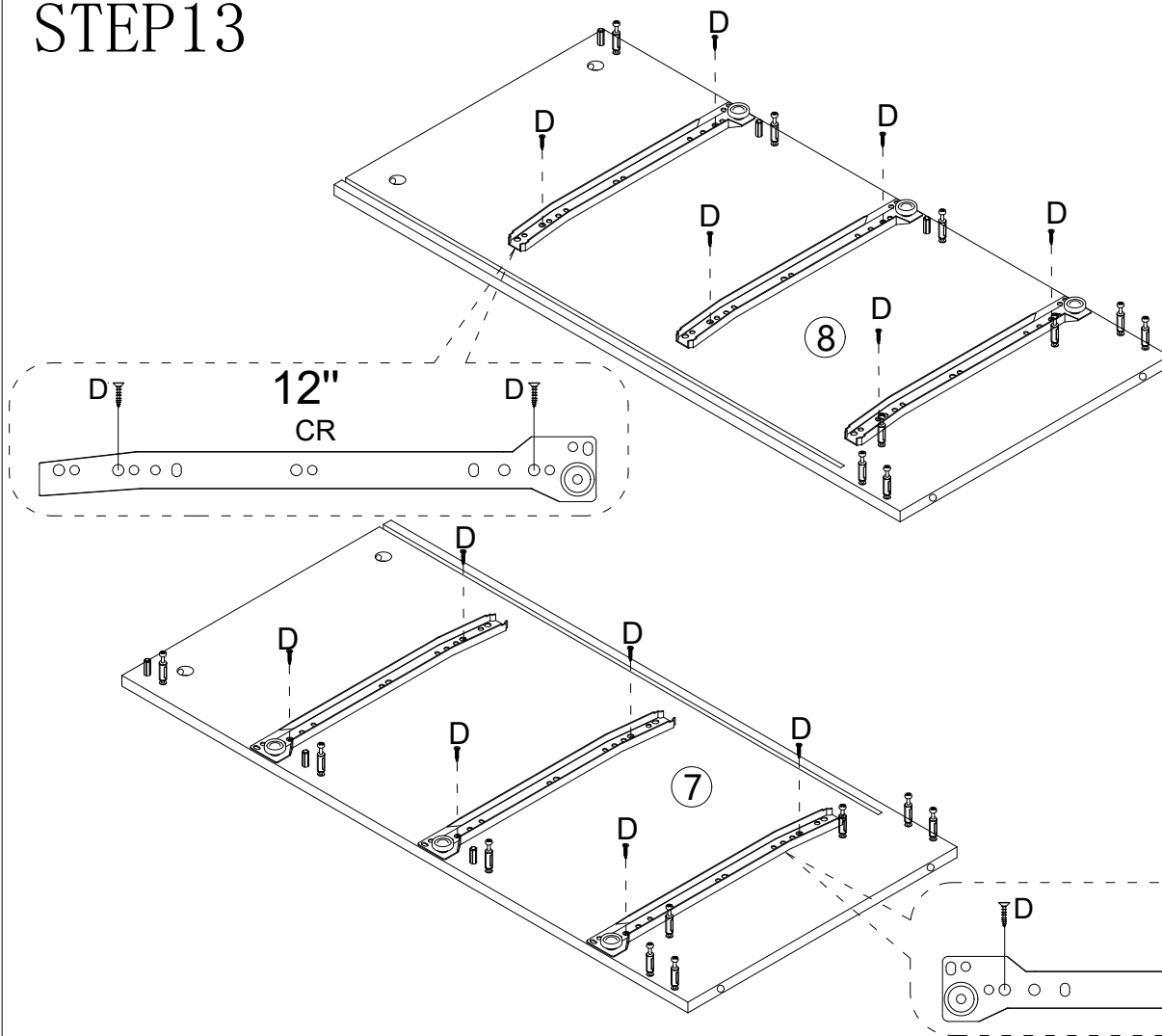


C 6PCS



ASSEMBLY INSTRUCTION

STEP13



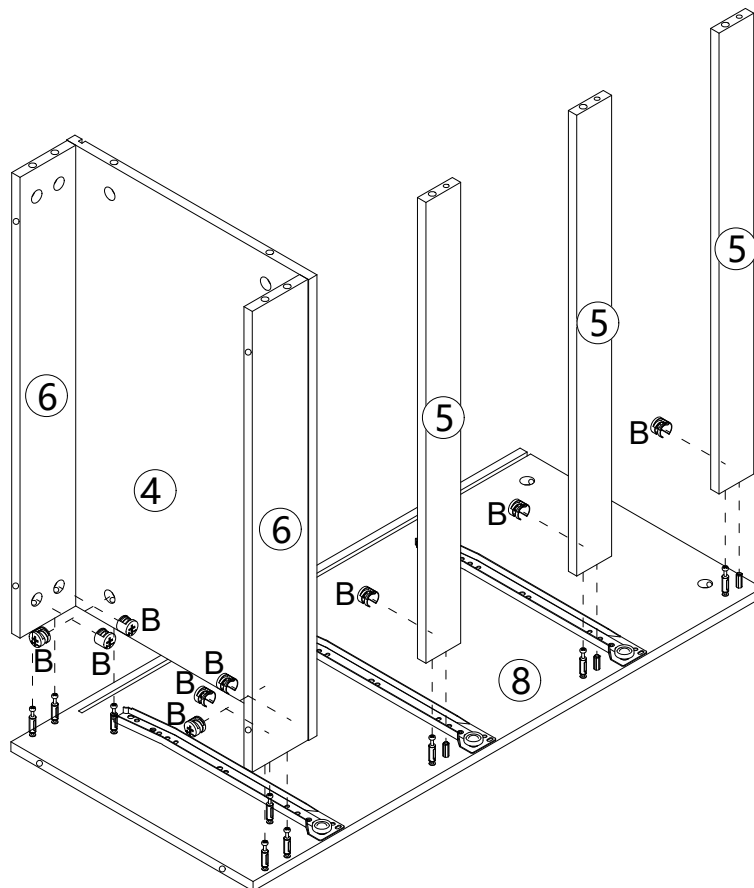
3PCS

CL

CR

D 12PCS

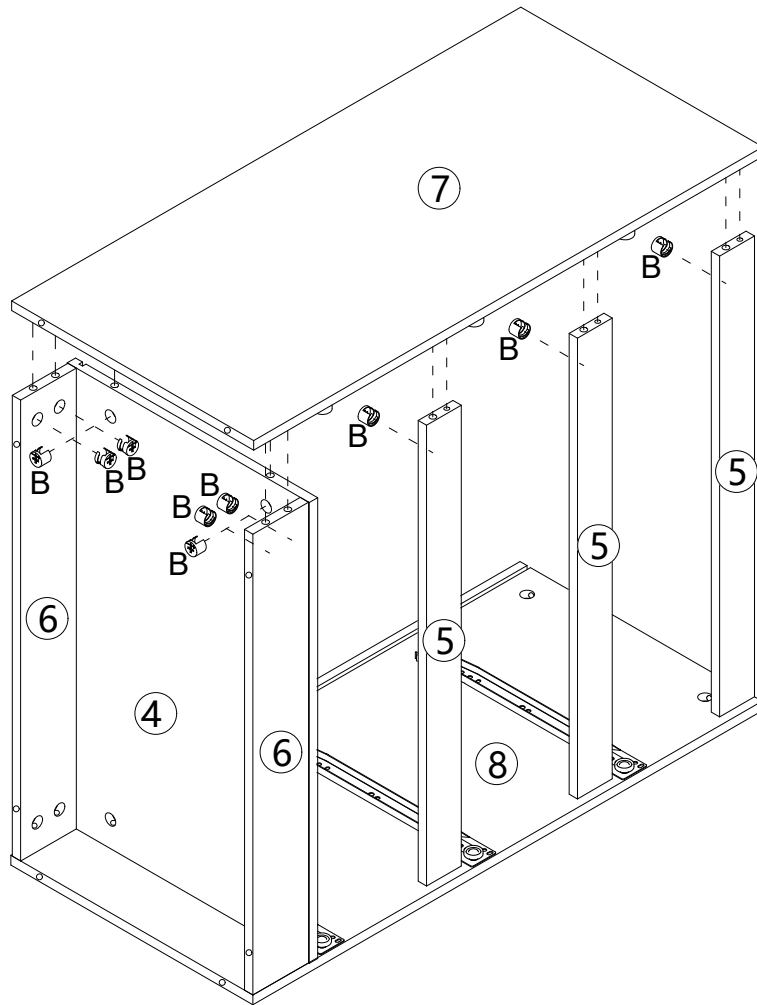
STEP14



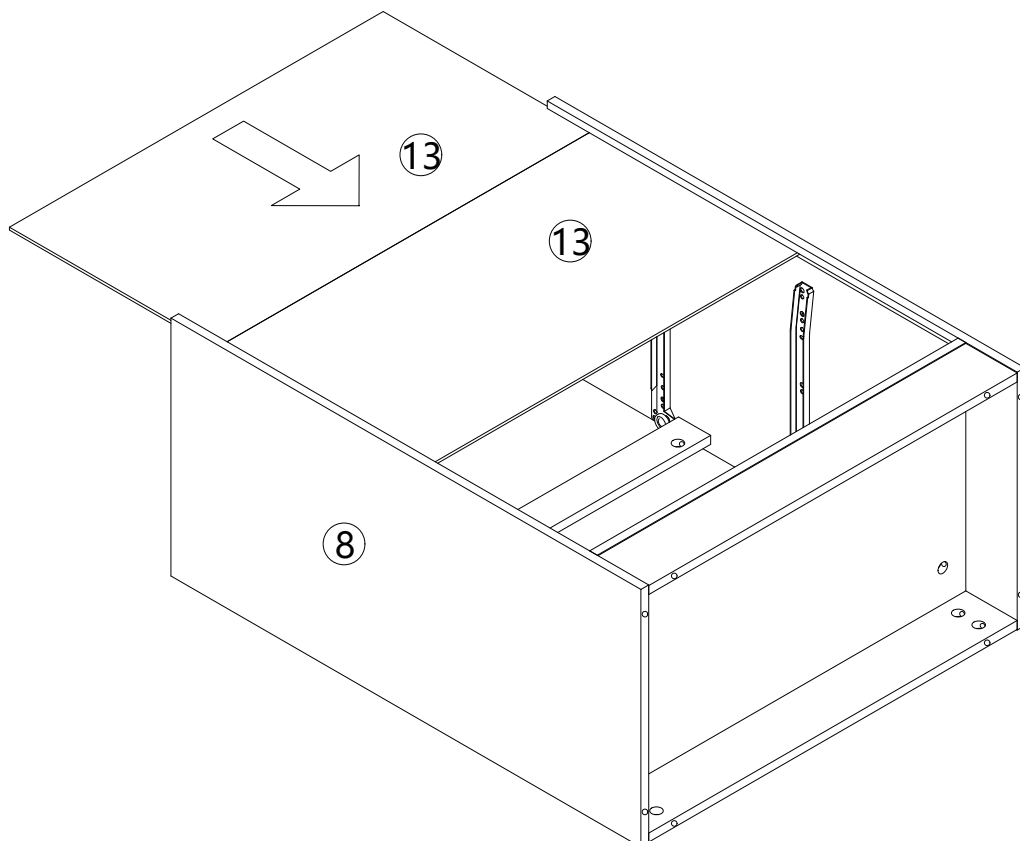
B 9PCS

STEP15

B 9PCS

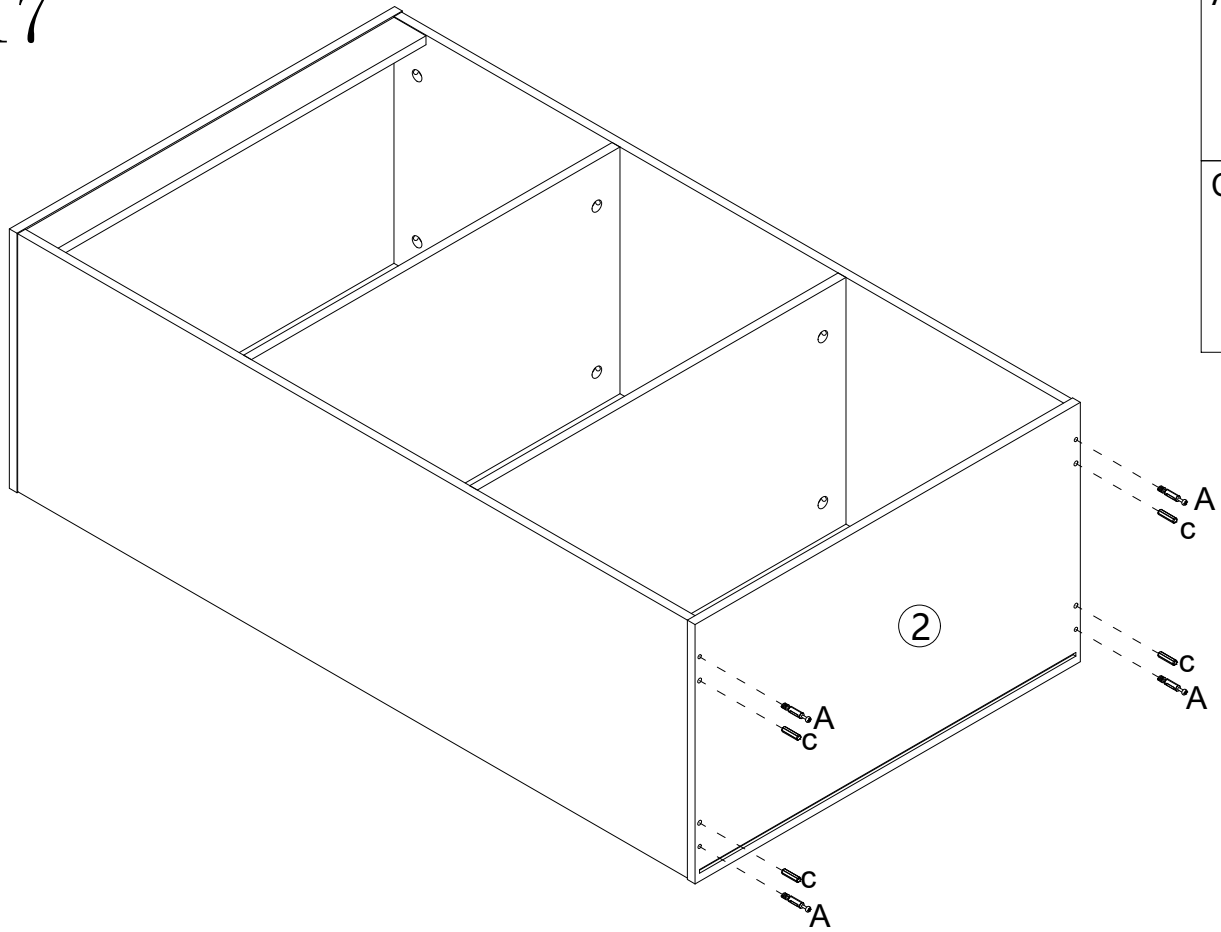


STEP16



ASSEMBLY INSTRUCTION

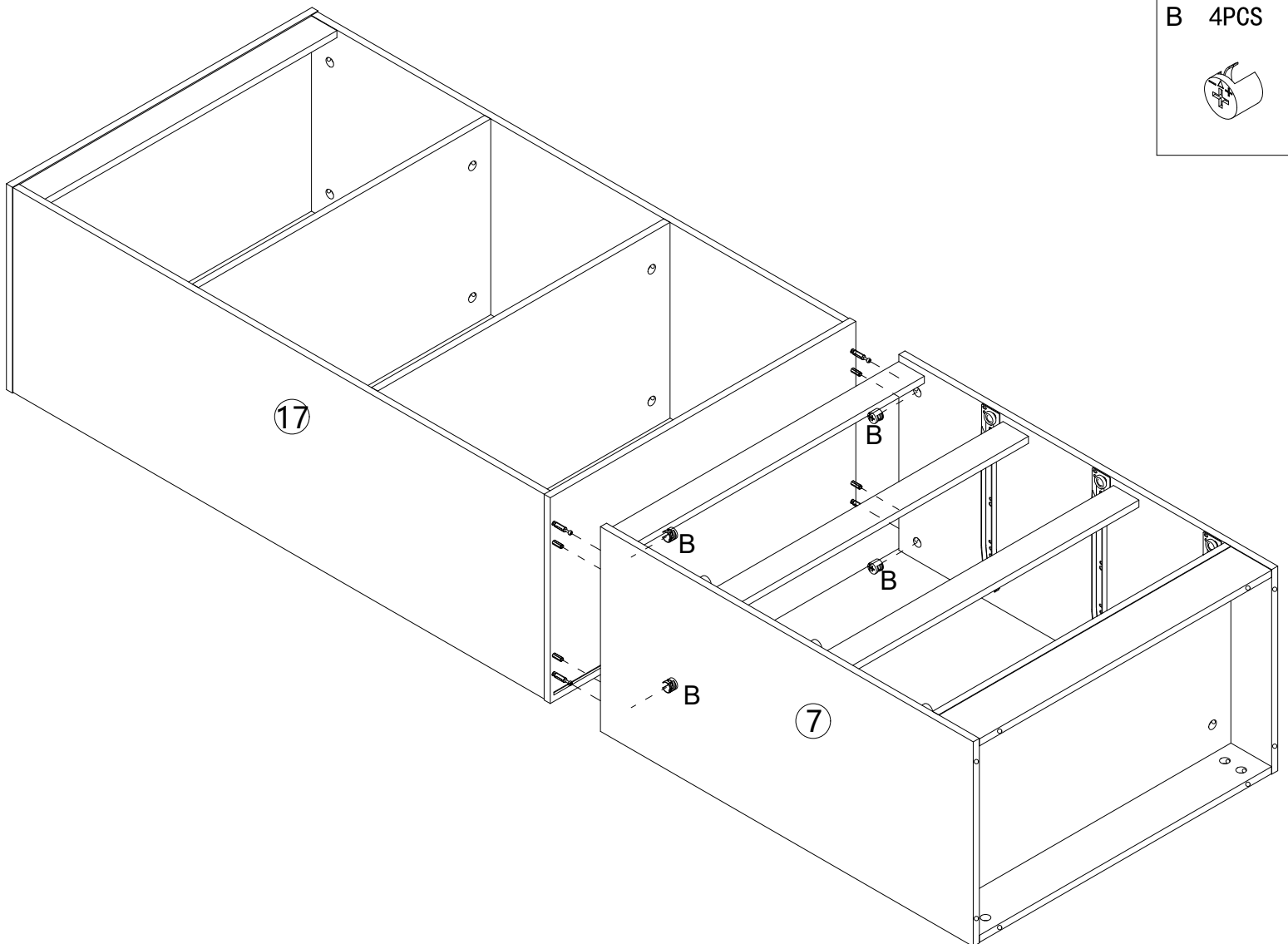
STEP 17



A 4PCS



C 4PCS



B 4PCS



ASSEMBLY INSTRUCTION

STEP18

A 12PCS



B 12PCS



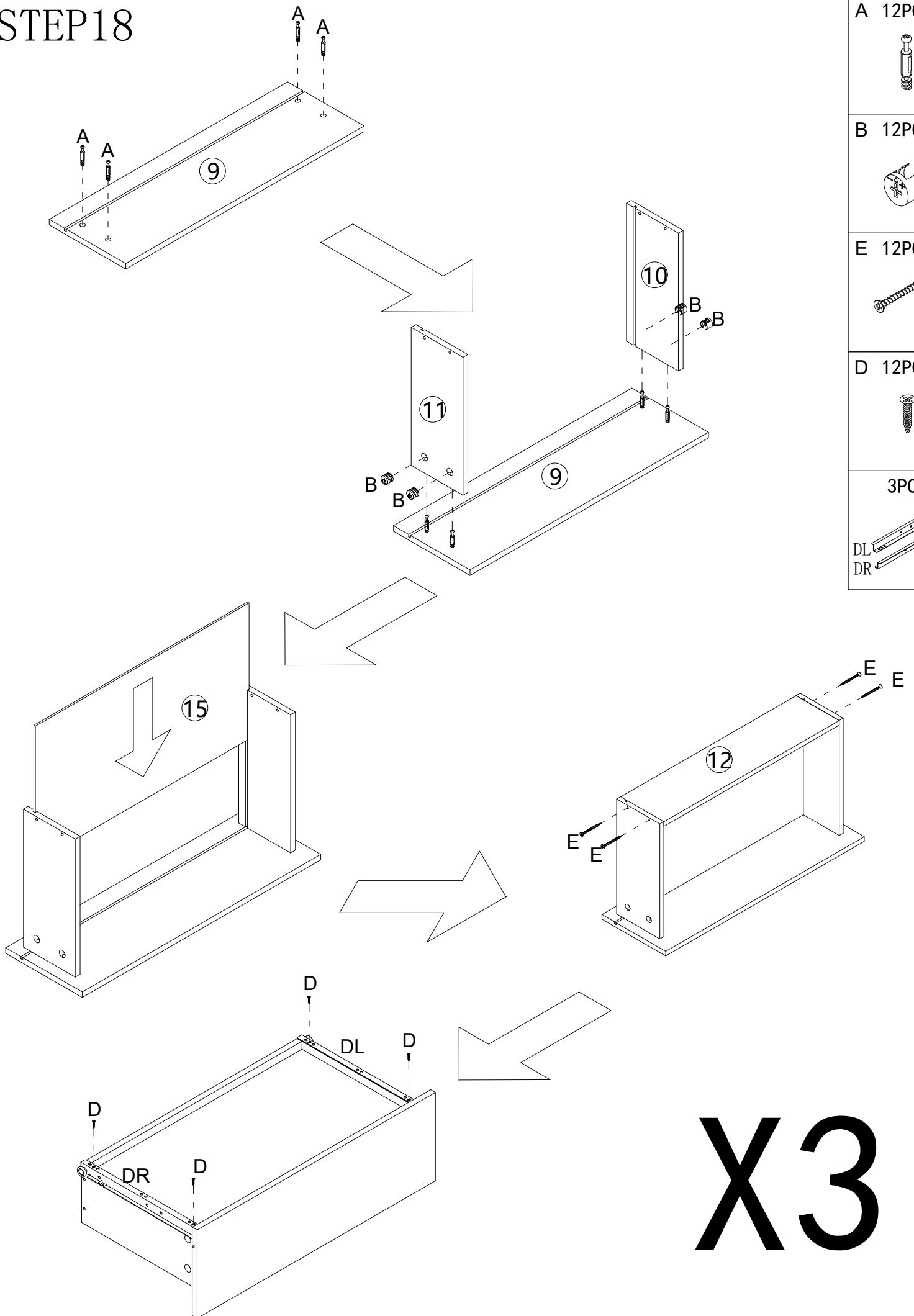
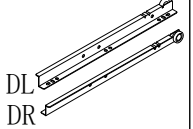
E 12PCS



D 12PCS

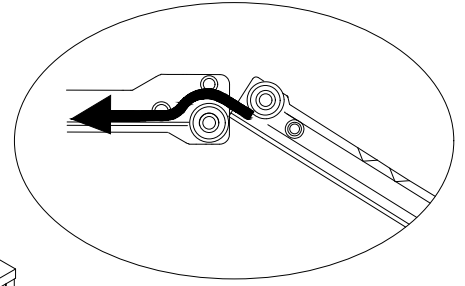
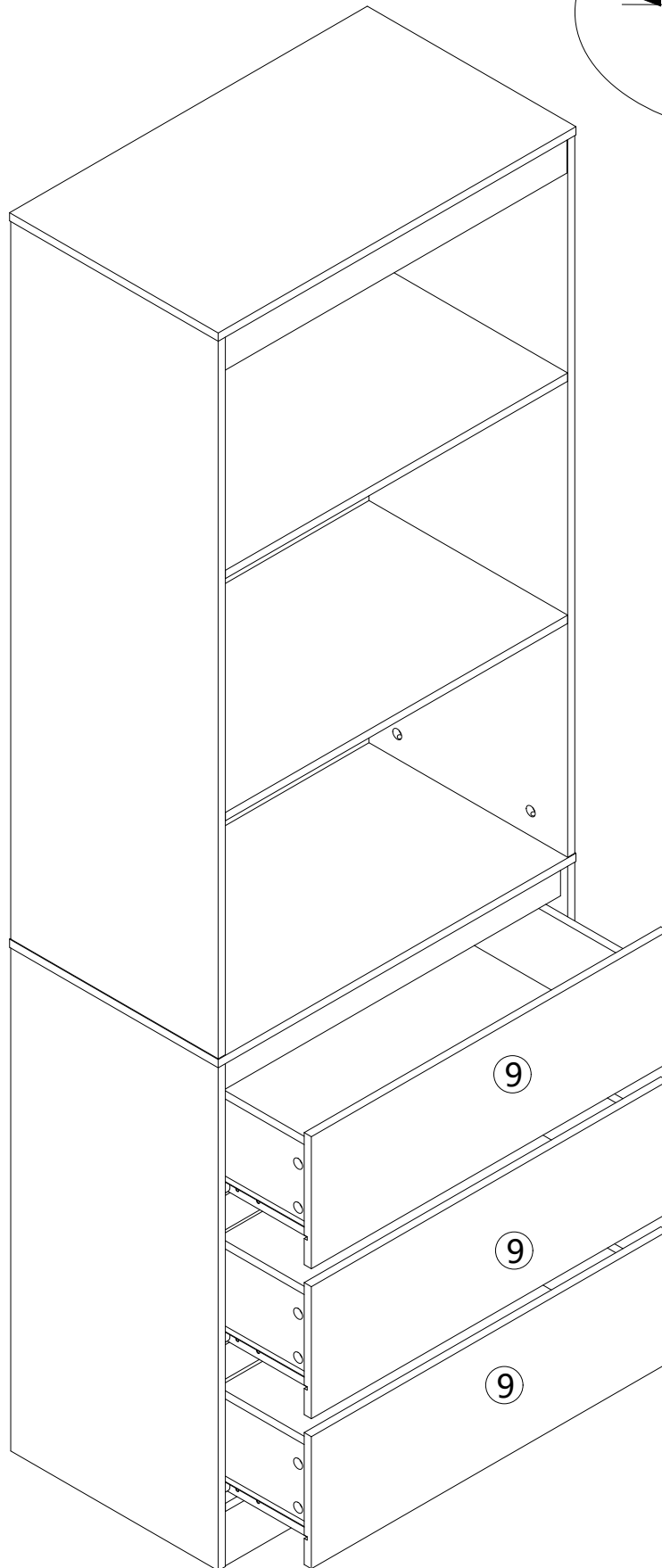


3PCS



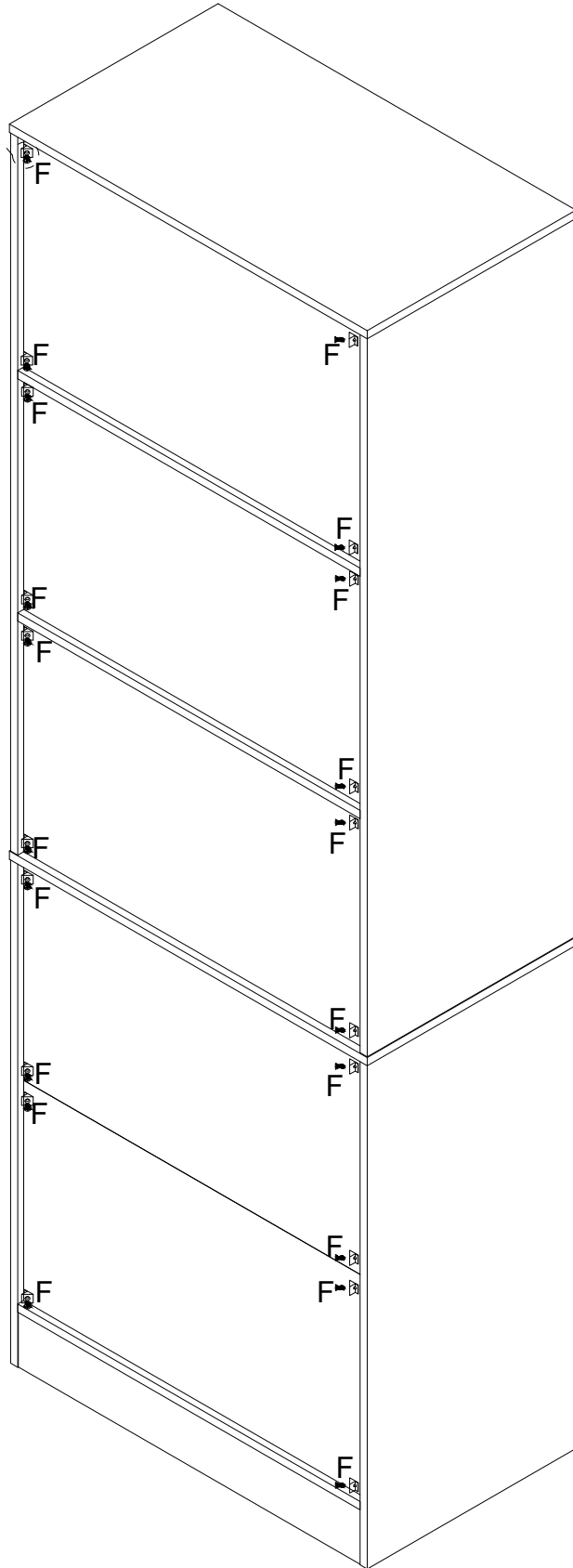
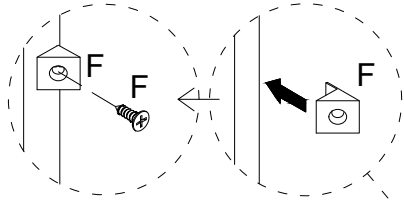
X3

STEP 19



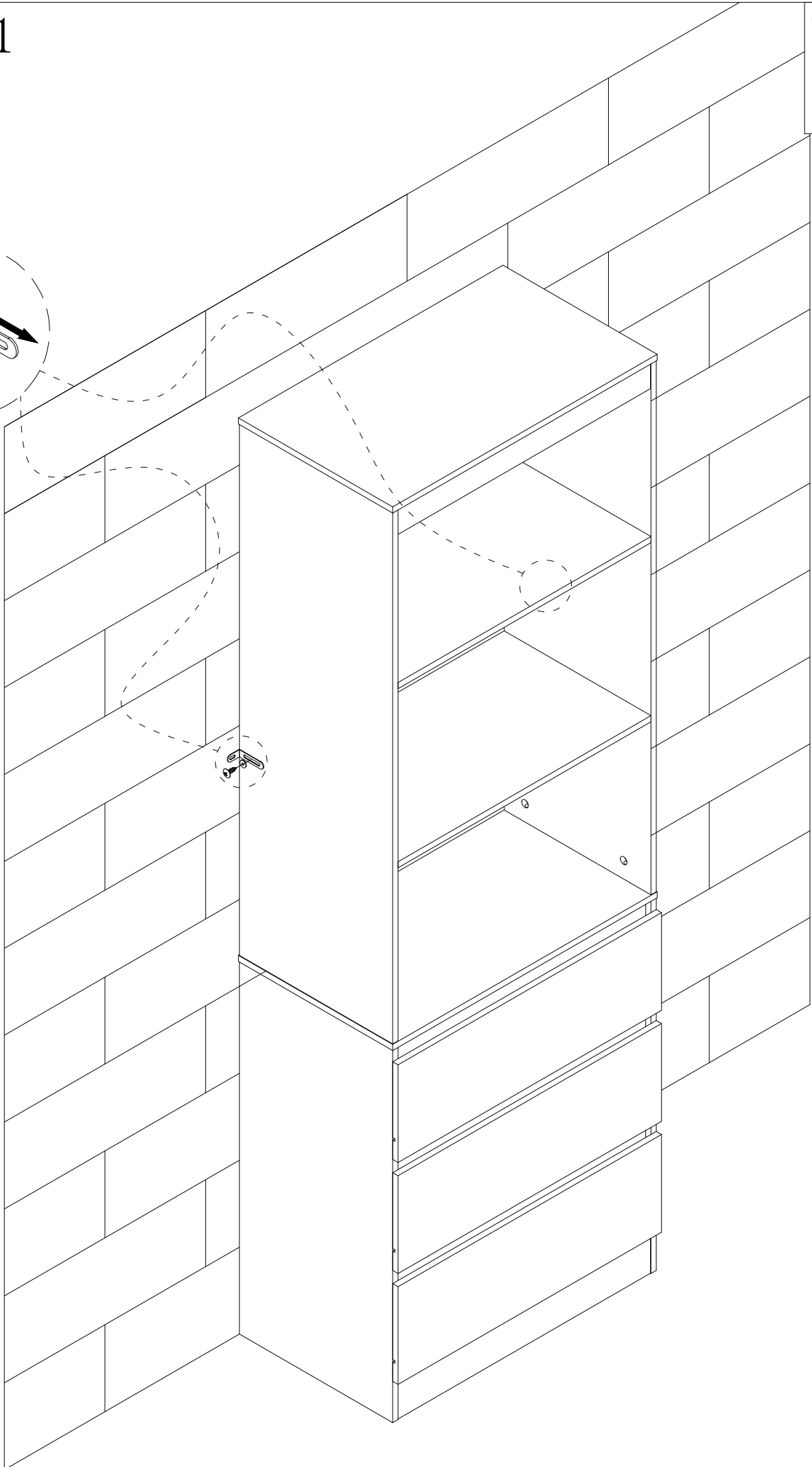
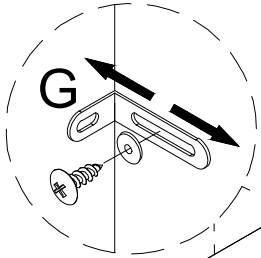
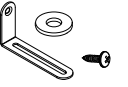
STEP 20

F 20PCS



STEP21

G 2PCS



STEP22

G 2PCS

