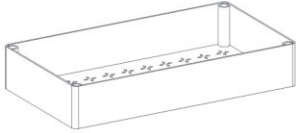


INSTALLATION MANUAL

Four layer trolley

PRODUCT ACCESSORIES



1

1.mesh basket*4



2

2.Standpipe*12



3

3.caster*4

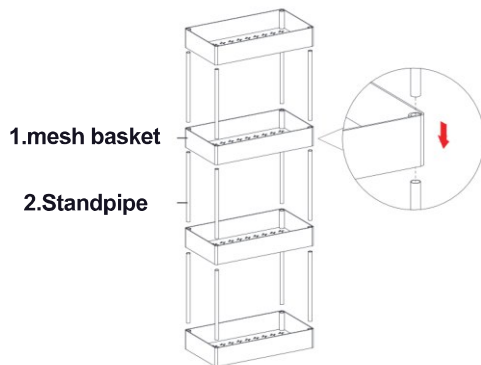


4

4.cover*4

INSTALLATION PROCESS

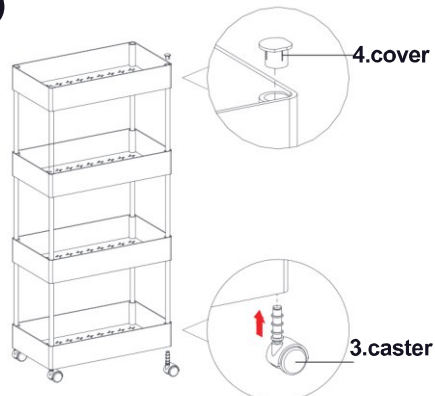
1



1.mesh basket
2.Standpipe

1.Assemble the mesh baskets and pipes

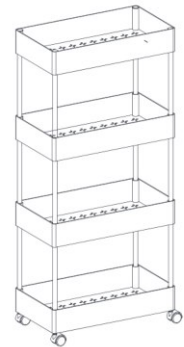
2



4.cover
3.caster

2.Install the wheel under the basket and cover it as shown in the figure

3



3.Assembly complete