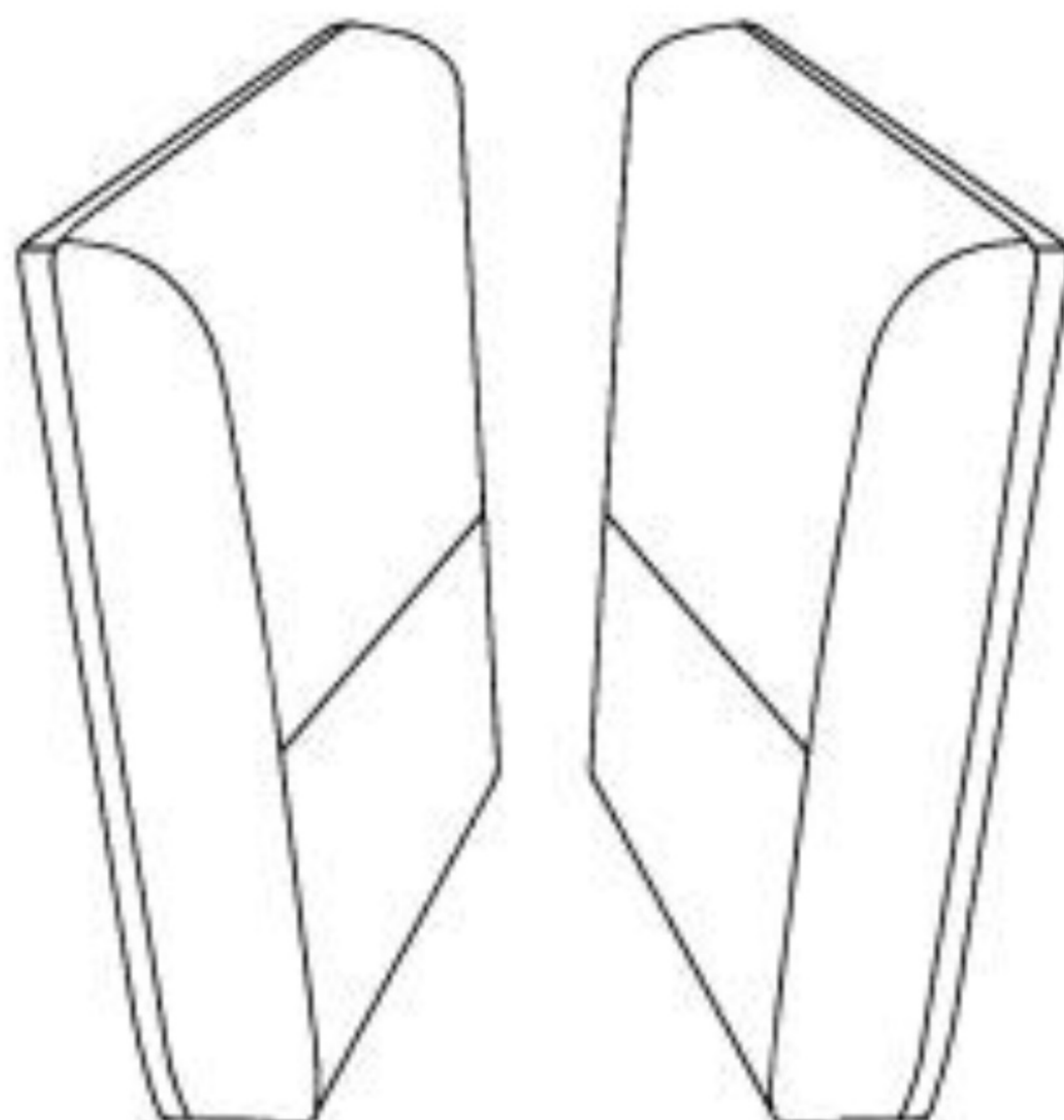


# SECTIONAL

Love long and prosper perfect usage in life

# SOFA Installation

## Armrest Module

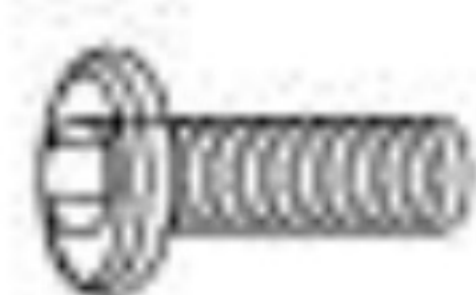


## Parts List (Checking the part lists when you get the packing)



M6 Allen Key x1

**A**



M6 Bolt x8

**B**



Hardware Buckle x4

**C**



Right armrest x1

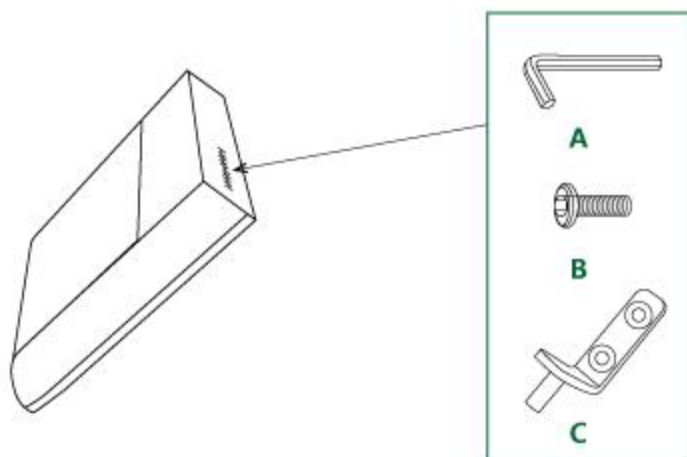
**D**



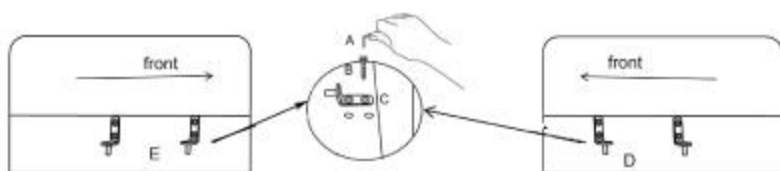
Left armrest x1

**E**

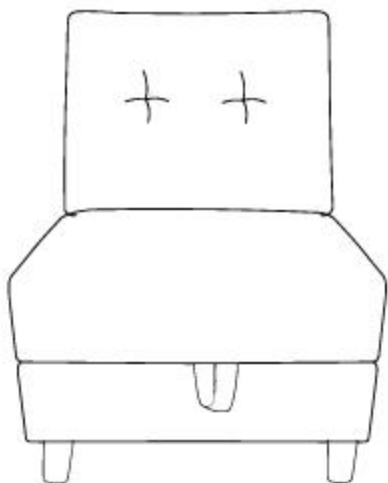
**Step 1:** Take out the fitting at the bottom of the armrest.



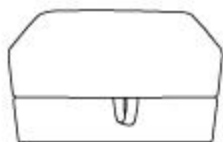
**Step 2:** Assemble the screw into the armrest hole.



## Middle Sofa Customizable Module



### Parts List (Checking the part lists when you get the packing --please open the)



Seatrest x1

**A**



M6 Allen Key x1

**D**



Hardware Buckle x2

**F**



Backrest cushion x1

**B**



M6 Bolt x6

**E**



Connector x1

**G**



Backrest x1

**C**



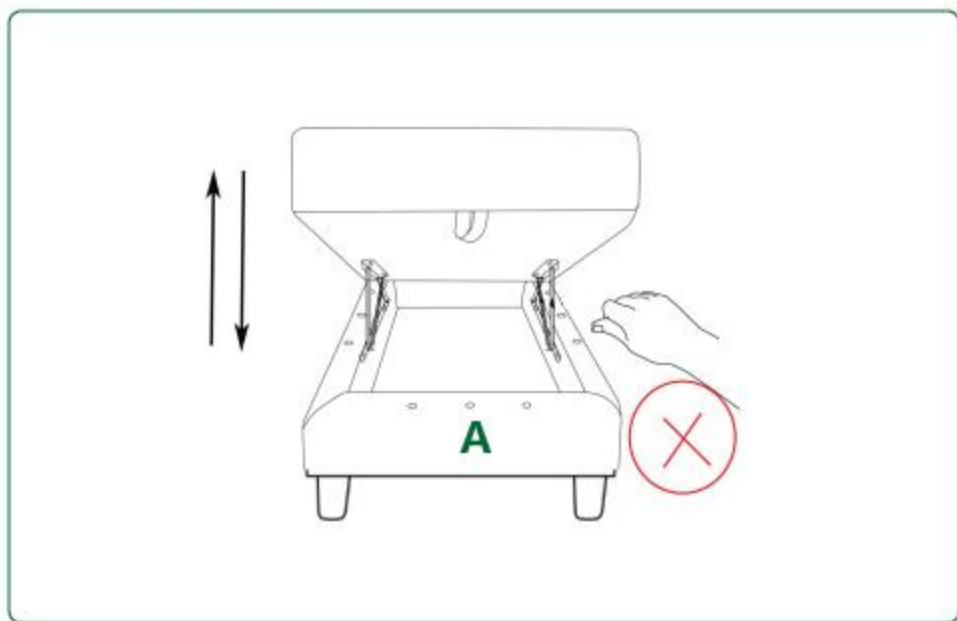
Feet x4

## Warning

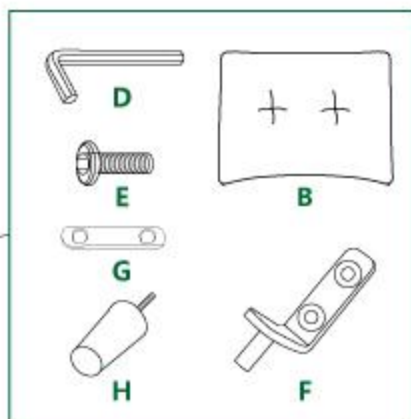
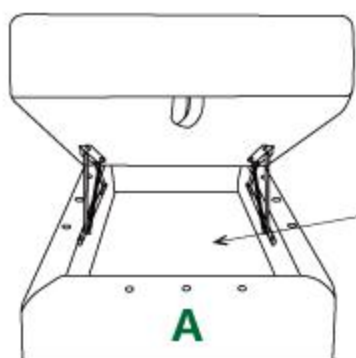
Warning: Put one hand on the seat rest when you open it to reduce the impact force.



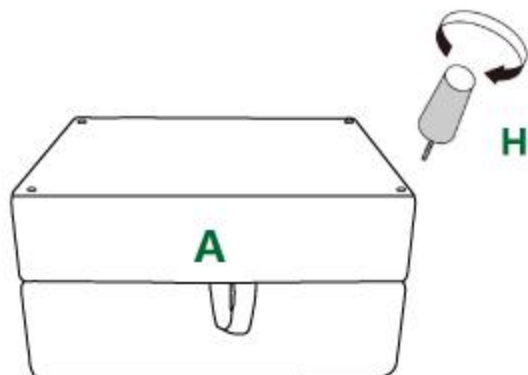
Don't put the hands into the hardware part to avoid getting injured when open and close the seat rest.



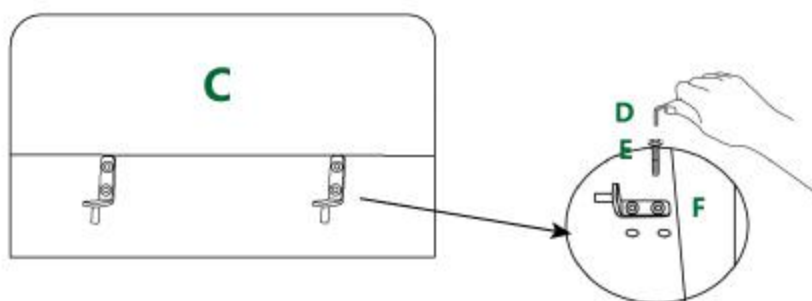
**Step 1:** Open the seat rest **A** and take out the accessories.



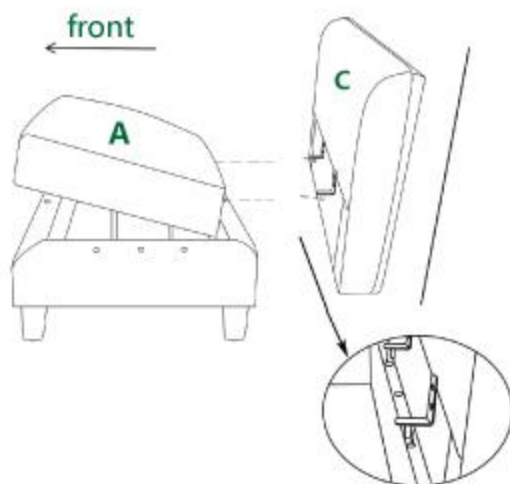
**Step 2:** Tighten the plastic foot clockwise.



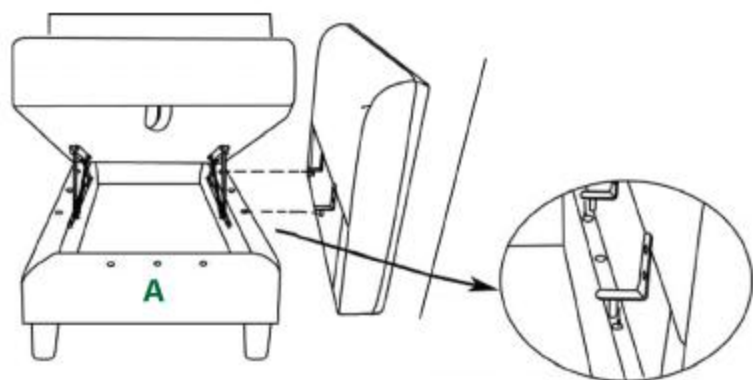
**Step 3:** Install and fasten the hardware buckle on the backrest.



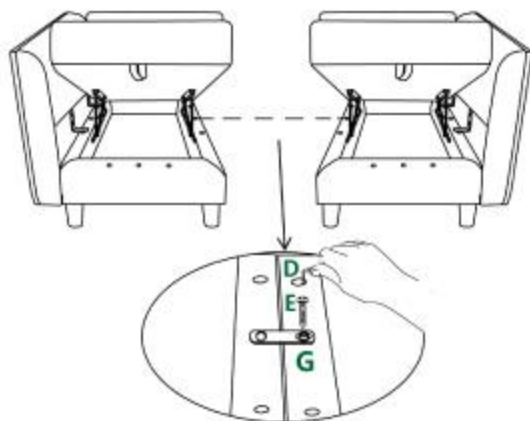
**Step 4:** Tilt the backrest and insert it to the seat rest (make sure the buckles on backrest align with the hole site on seat rest).



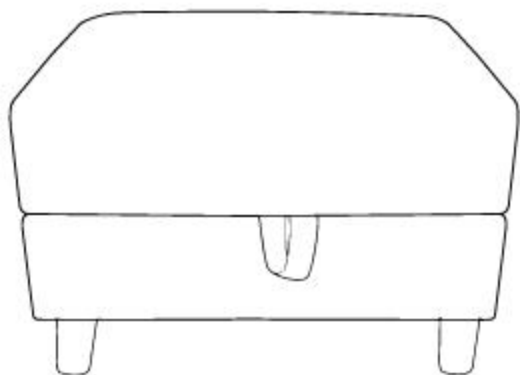
**Step 5:** Install the armrest and pay attention to the front and back direction of the armrest .



**Step 6:** Install the connecting buckle.



## Middle Sofa Customizable Module

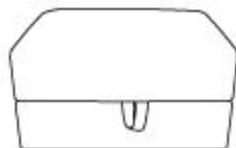


Parts List (Checking the part lists when you get the packing --please open the)



M6 Allen Key x1

**A**



Seatrest x1

**B**



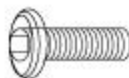
Feet x4

**C**



Connector x1

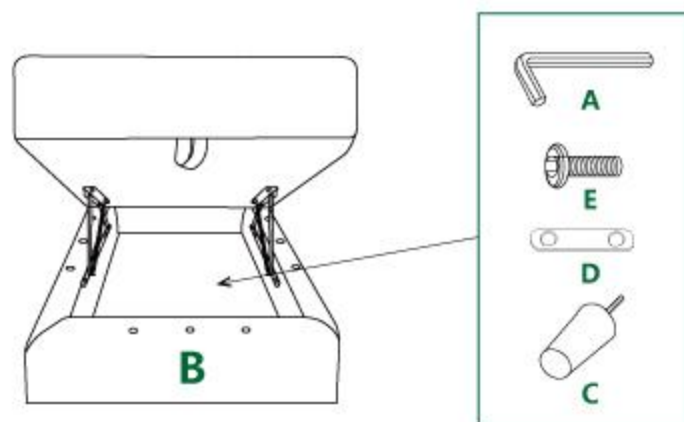
**D**



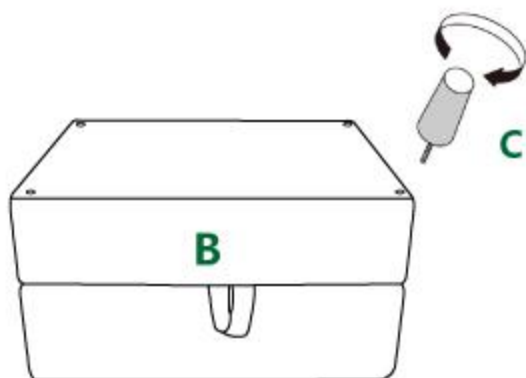
M6 Bolt x2

**E**

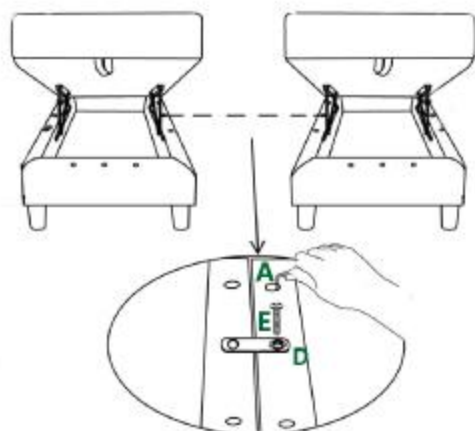
**Step 1:** Open the seat rest **B** and take out the accessories;



**Step 2:** Tighten the plastic foot clockwise.



**Step 3:** Install the connecting buckle.



**Reference Combination**

