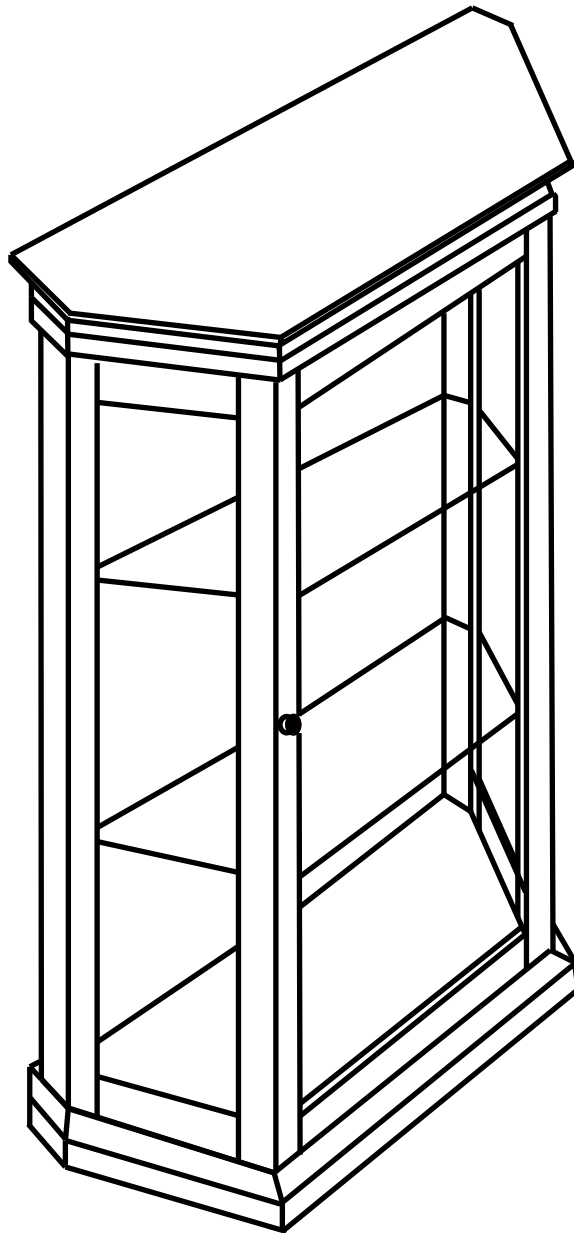


ASSEMBLY GUIDE

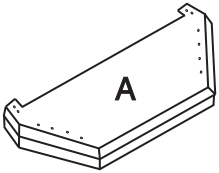


Note: This instruction booklet contains important safety information, please read and keep for future reference.

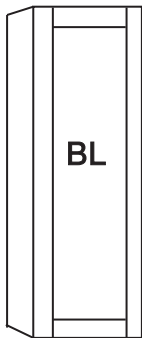
PARTS IDENTIFICATION

- Ensure that all parts and components are located before beginning assembly. Parts are labeled to help distinguish similar parts from each other. Use this PARTS IDENTIFICATION to help identify similar parts.
- Assemble on a soft surface to prevent damage to the product finish.
- Two people are needed for assembly.
- Estimated assembly time is approximately 1 hour.

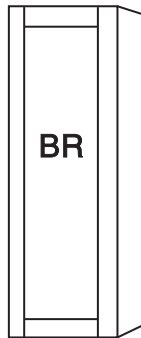
(A)BASE UNIT-1



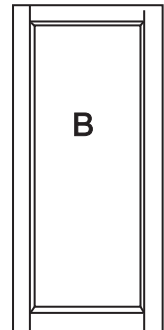
(BL)LEFT PANEL-1



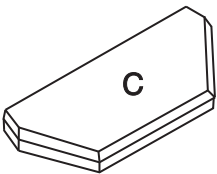
(BR)RIGHT PANEL-1



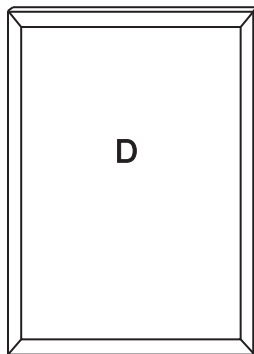
(B)DOOR-1



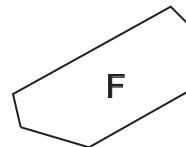
(C)TOP UNIT-1



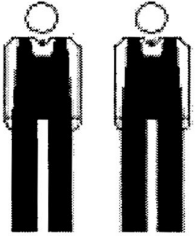
(D)BACK PANEL-1



(F) SHELF-2



HARDWARE IDENTIFICATION



(R1) ADJUSTABLE FOOT-4PCS



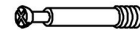
(R2) FLAT HEAD SCREW
ST2.9X12- 6 PCS



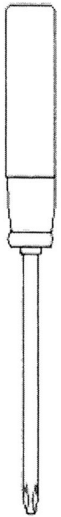
(R3) FLAT HEAD SCREW
ST2.9X20-14PCS



(R4) CAM BOLT-8PCS



TOOL REQUIRED



(R5) CAM LOCK-8PCS



(R6) SHELF SUPPORT-8PCS



(R7) DOOR KNOB-1PC



(R8) PLASTIC SCREW ANCHOR-1PC

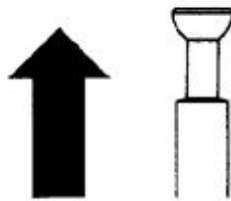
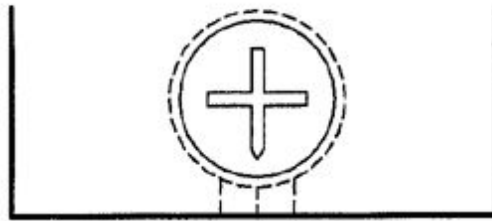


PHILLIPS HEAD
SCREWDRIVER



SHORT FLAT
SCREWDRIVER

CAM LOCK SYSTEM



(1)

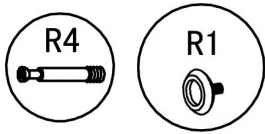
CORRECT



(2)

WRONG

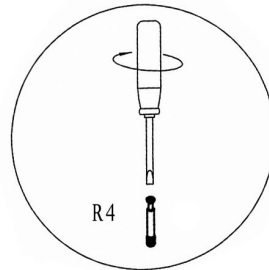
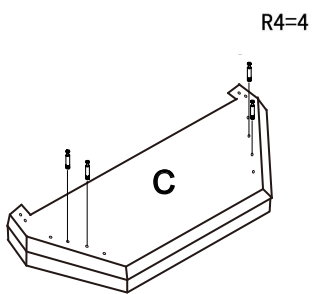
Ensure starting position is correct, adjust cam bolt by pushing or pulling during assembly. Turn clockwise until secure.



(R1)ADJUSTABLE FOOT-4PCS

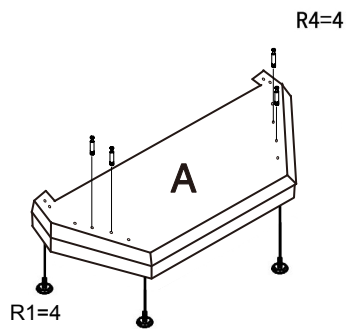


(R4) CAM BOLT-8PCS



1. a)Fasten 8 cam bolt R4 to cover board C,base A.

b)Fasten 4 adjustable foot R1 to base A.

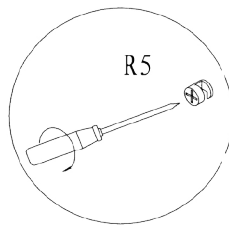
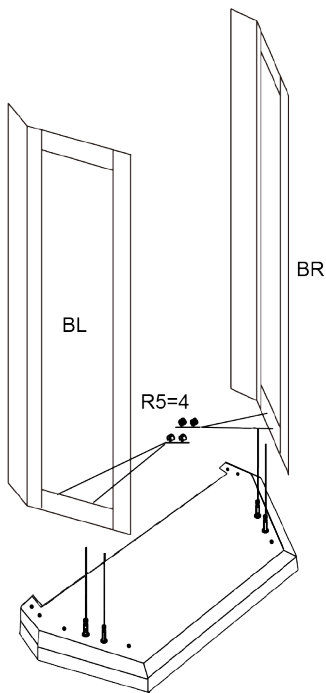




(R5)CAM LOCK-4PCS



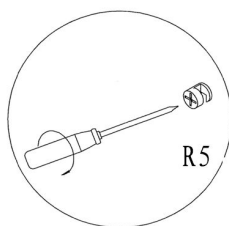
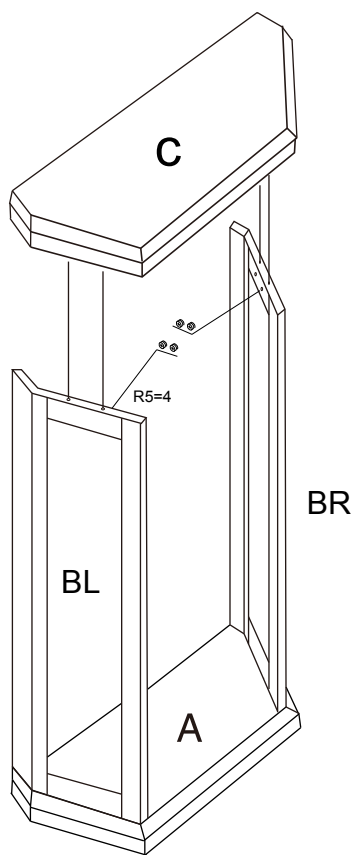
2. a)Fasten left panel BL, right panel BR to base A using 4 cam lock R5 .

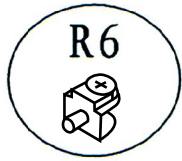


(R5) CAM LOCK-4PCS

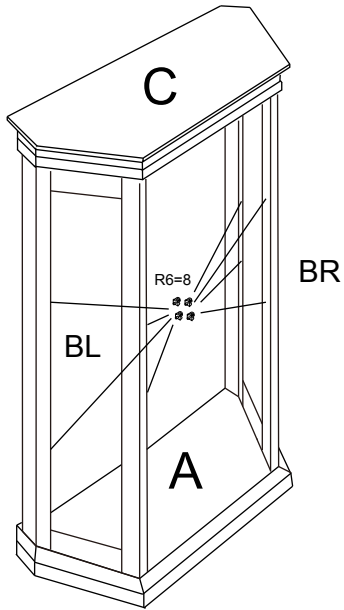


3. a) Fasten left panel BL, right panel BR to cover board C using 4 cam lock R5 .



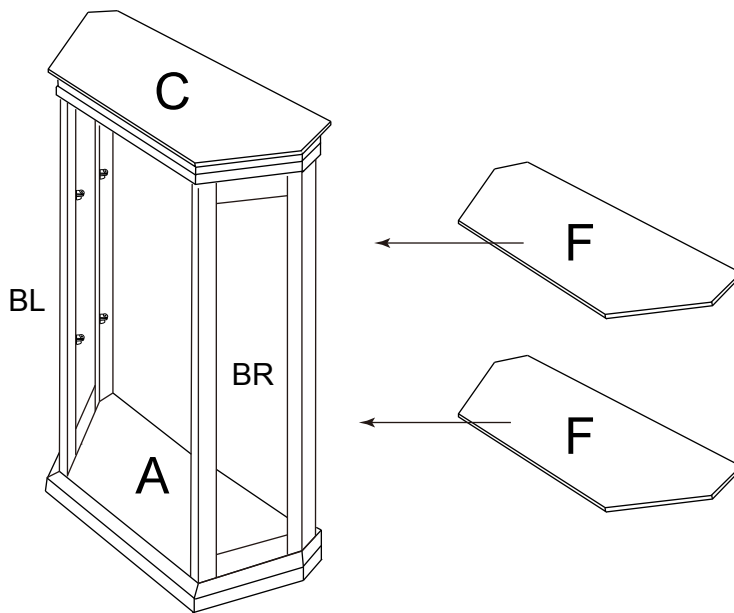


(R6)SHELF SUPPORT-8PCS



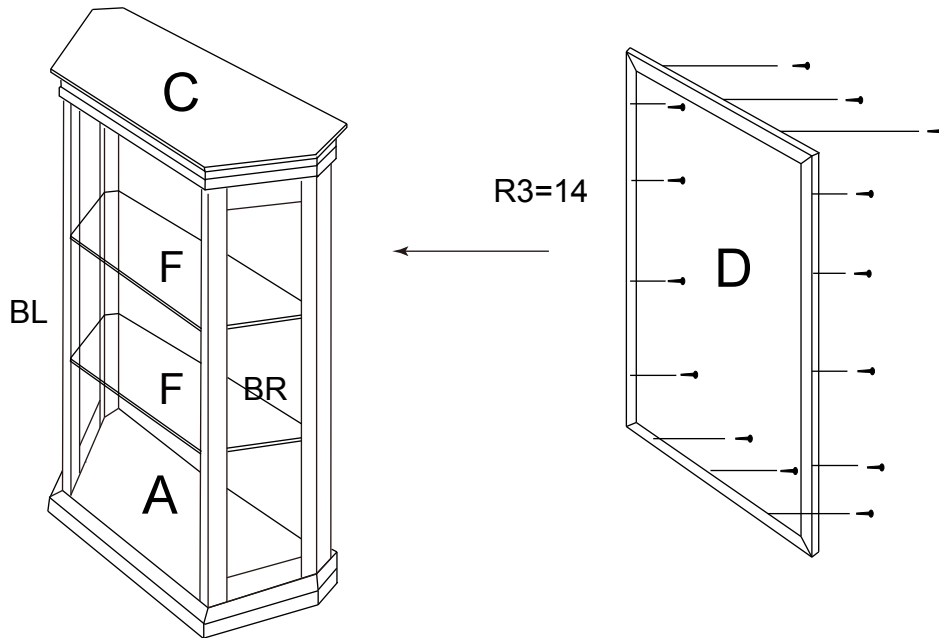
4. a)Fasten 8 shelf support R6 to left panel BL, right panel BR.

b)Put 2 shelf F on shelf supports.

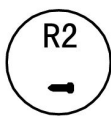




(R3)FLAT HEAD SCREW
(ST2.9X20)-14PCS



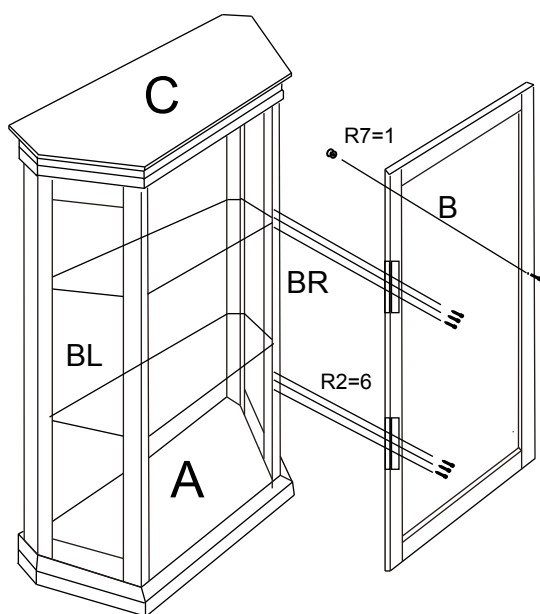
5. a)Fasten back panel D to left panel BL,right panel BR, base A and cover board C, using 14 flat head screw R3(ST2.9X20).



(R2)FLAT HEAD SCREW
ST2.9X12- 6 PCS



(R7)DOOR KNOB-1PC



6.a)Fasten door B to right panel
BR using 6 flat head screw
R2 (ST2.9×12) .

b)Fasten door knob R7 to
door B.

(R8) PLASTIC SCREW ANCHOR-1PC



7.a) In order to ensure the cabinet is stable, adjust the adjustable feet under the cabinet. As an added safety feature a support strap on cover board C has been provided, it must be attached to the wall, using 1 plastic screw anchor R8.

