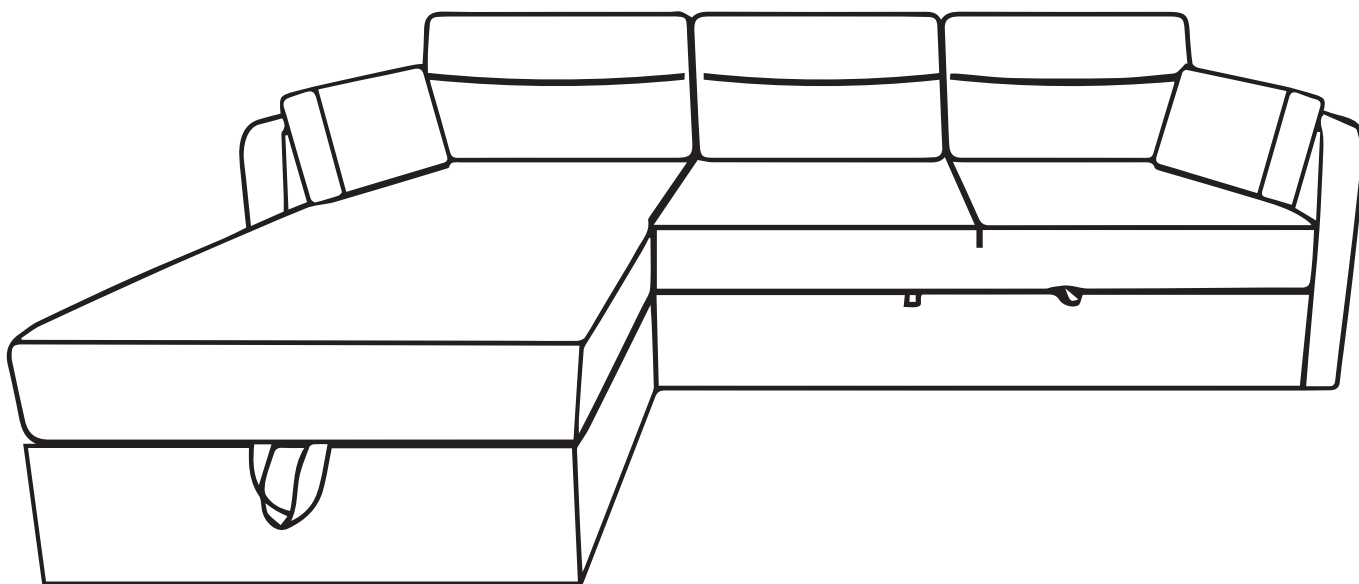


ASSEMBLY INSTRUCTIONS



TIME



2 OF PEOPLE



DIFFICULTY

NOTICE

Instruction Booklet - Important Safety Information

Thank you for choosing our product. Please review this booklet carefully for essential safety information and keep it for future reference.

- Upon receiving the product, ***ensure all parts are present and intact*** before proceeding with installation. Follow the entire installation instructions provided.
- During installation, exercise caution and refrain from immediately tightening screws. Secure all screws to 80% before final tightening.

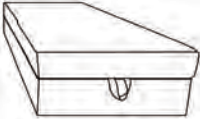
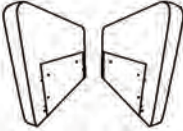
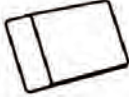

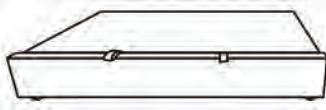

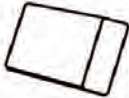

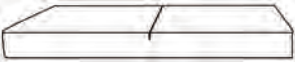
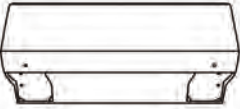
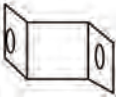








Returns are accepted only for items in their ***original, unopened condition***.



Before installation, please check that the parts are all included !

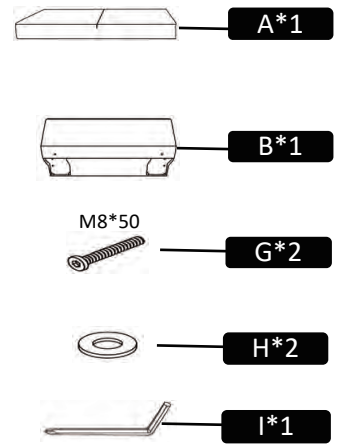
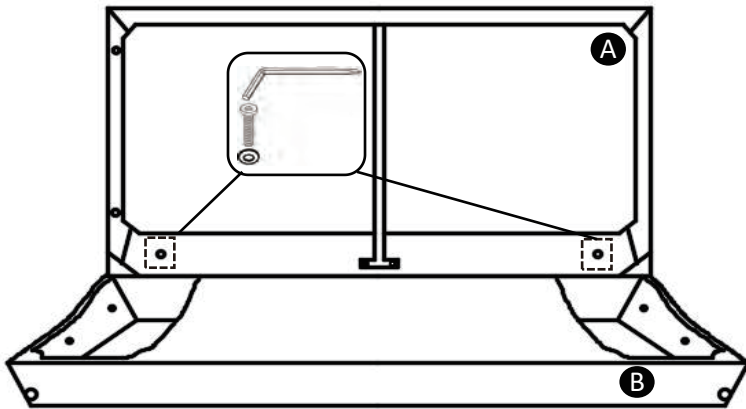
Carton

Materials ▾

<p>BOX A</p>	 E*1	 C*2	 F*1	 K*1 Cushion (large)		
<p>BOX B</p>	 L*1	 D*1	 F*1	 K*2 Cushion (small)		
<p>BOX C</p>	 A*1	 B*1	 O*4	 N*2	 Q*8	
	<p>M8*50</p>  G*14	<p>M8*20</p>  M*8	<p>M6*30</p>  J*4	 I*1	 P*8	 H*22

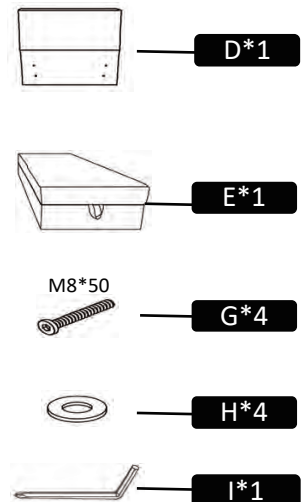
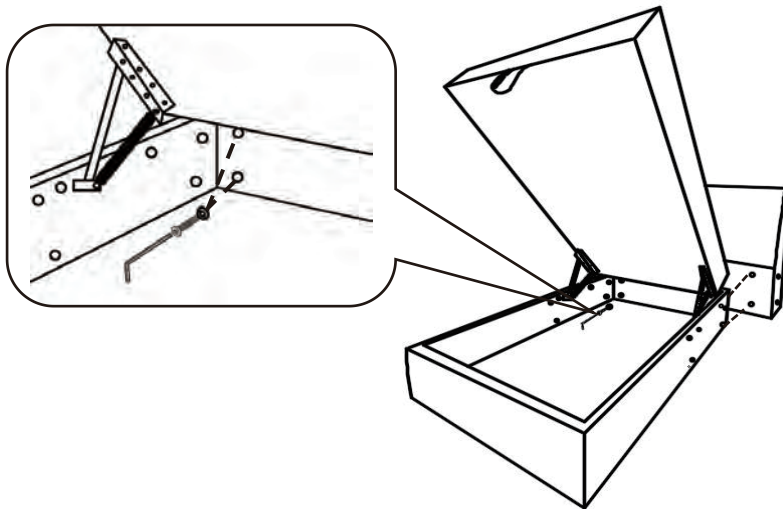
Installation Steps

Materials ▶



Bolt the double backrest and seat plate

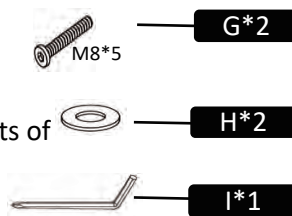
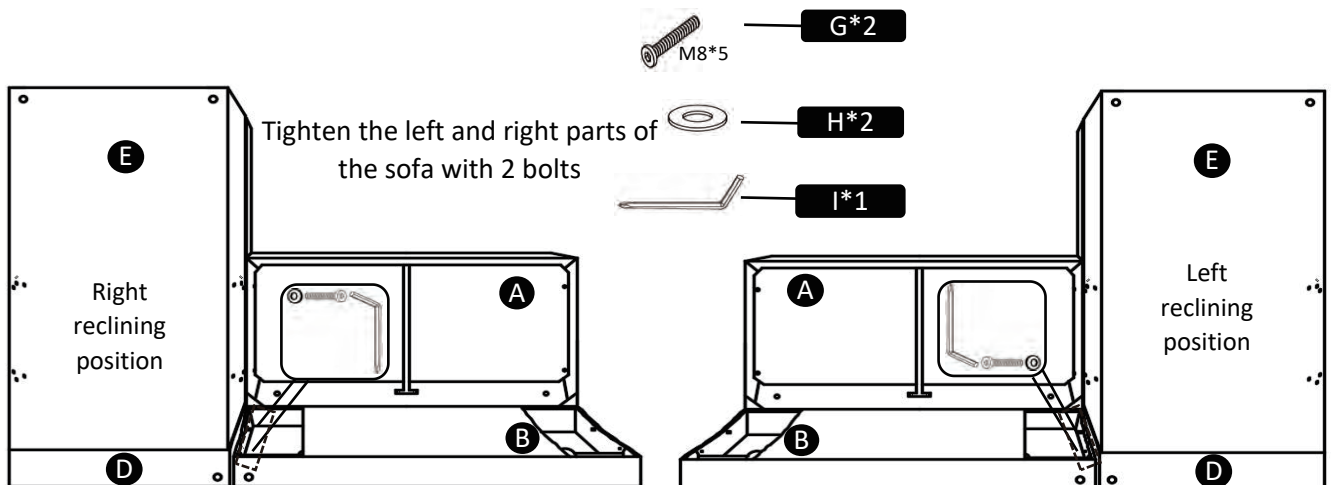
STEP1



Tighten 4 bolts in turn

STEP2

Tips: According to the person sitting on the sofa actually see the direction to distinguish between the left and right concubine.



Tighten the left and right parts of the sofa with 2 bolts

Right reclining position

Left reclining position

1

2

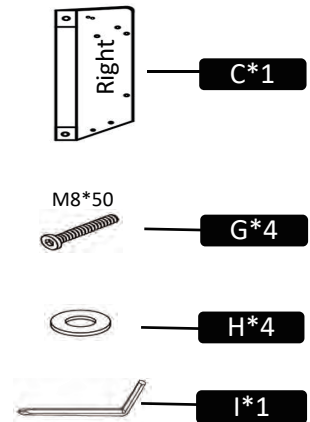
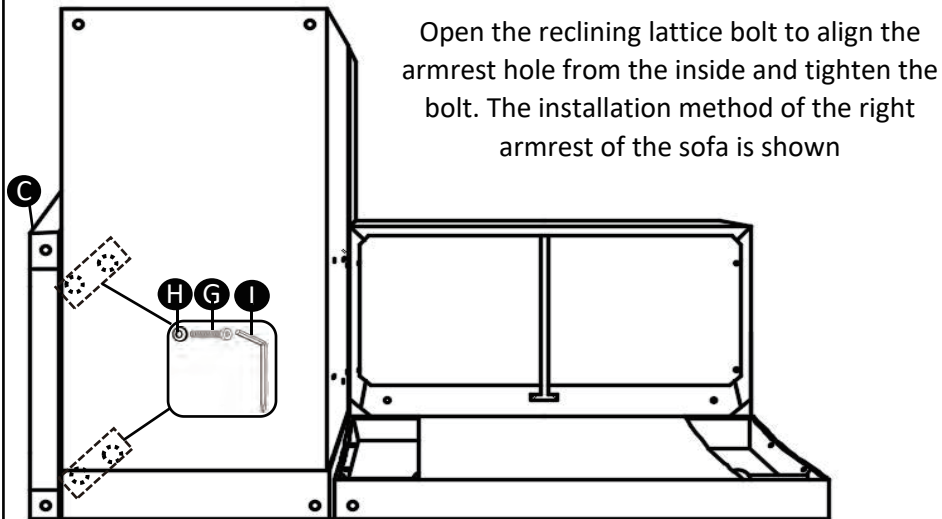
Dear customers choose to install your sofa or left or right recliner based on your usage

STEP3

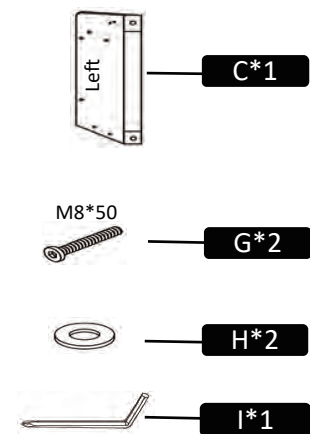
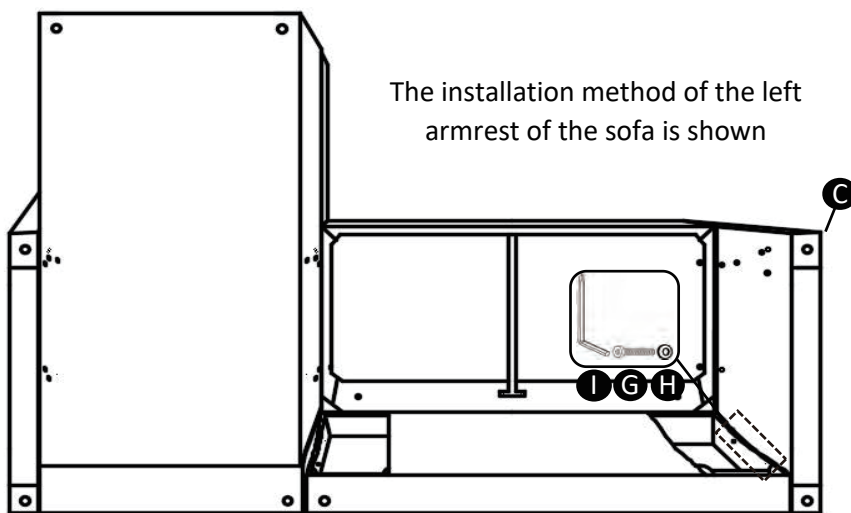
Installation Steps

Materials ▾

Armrest installation steps for the right recliner



STEP4



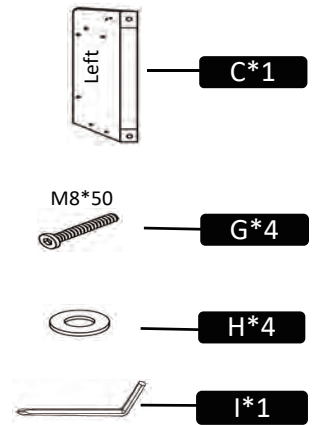
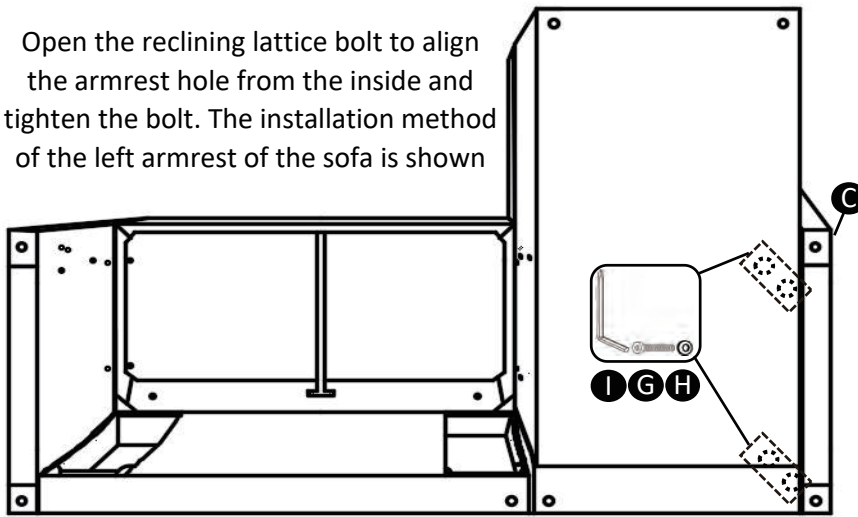
STEP5

Installation Steps

Materials ▶

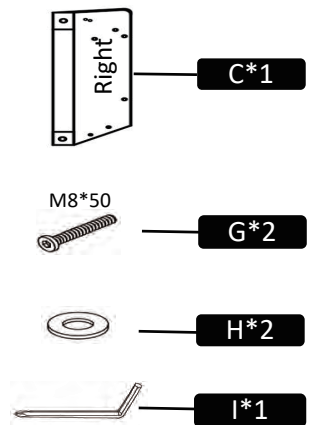
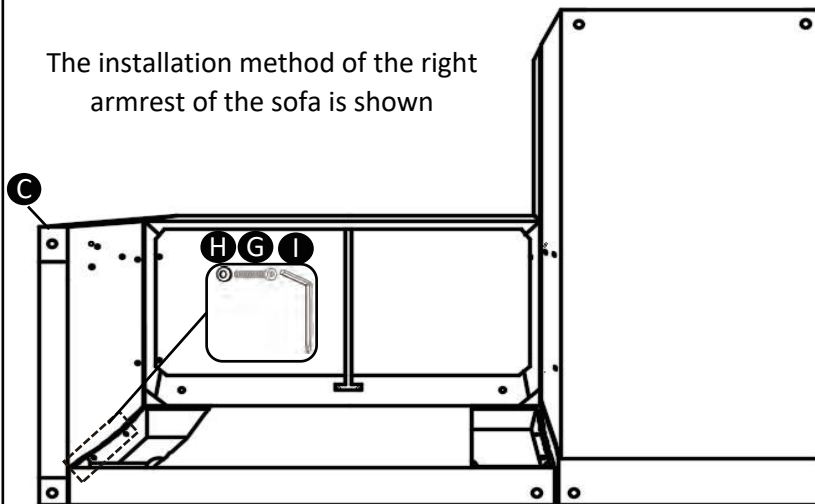
Armrest installation steps for the left recliner

Open the reclining lattice bolt to align the armrest hole from the inside and tighten the bolt. The installation method of the left armrest of the sofa is shown



STEP6

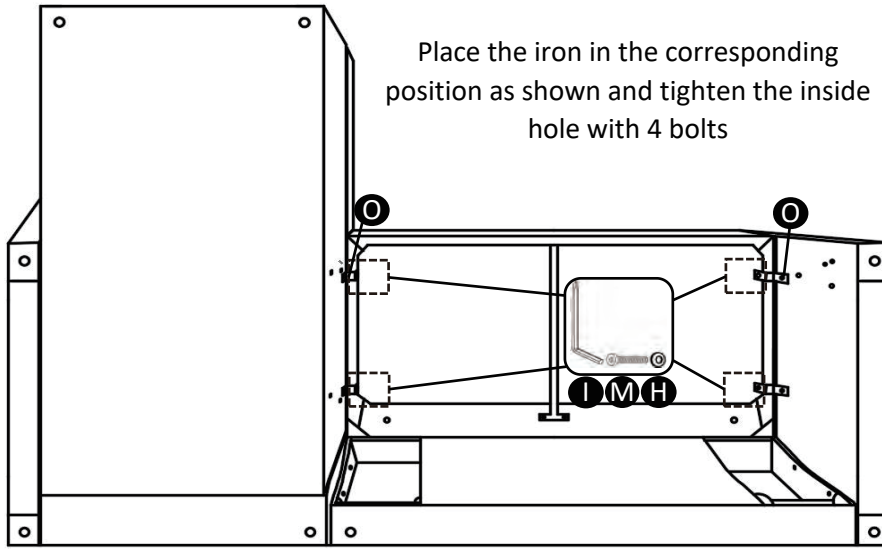
The installation method of the right armrest of the sofa is shown



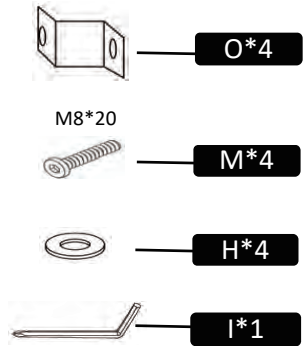
STEP7

Installation Steps

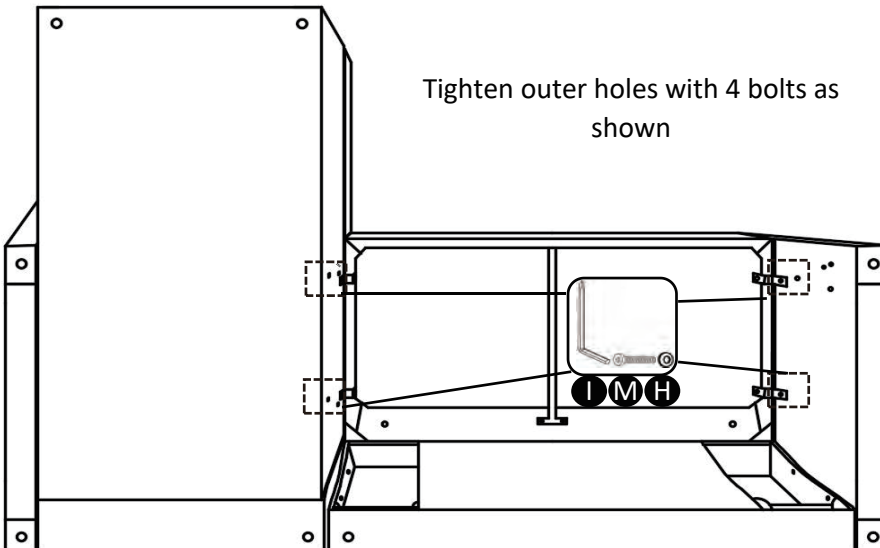
Materials ▾



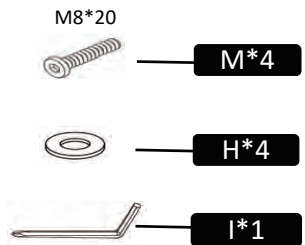
Place the iron in the corresponding position as shown and tighten the inside hole with 4 bolts



STEP8



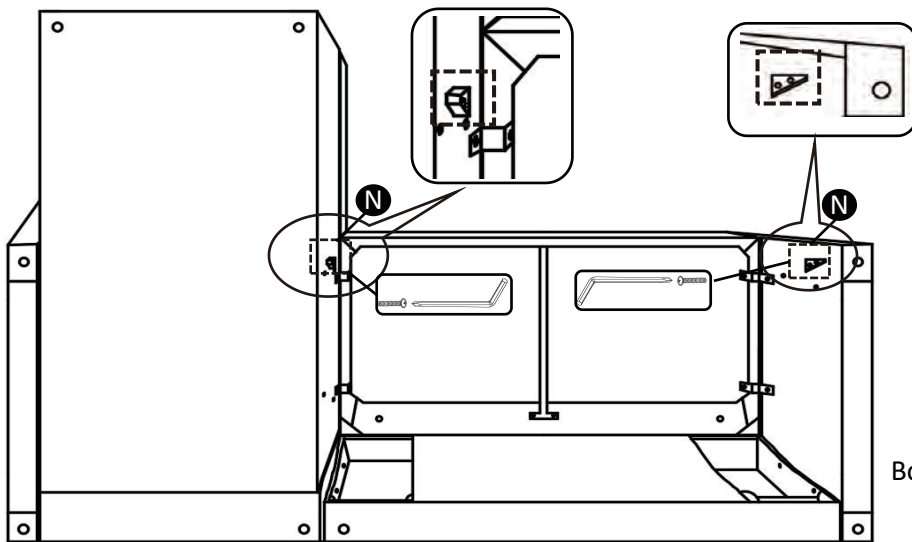
Tighten outer holes with 4 bolts as shown



STEP9

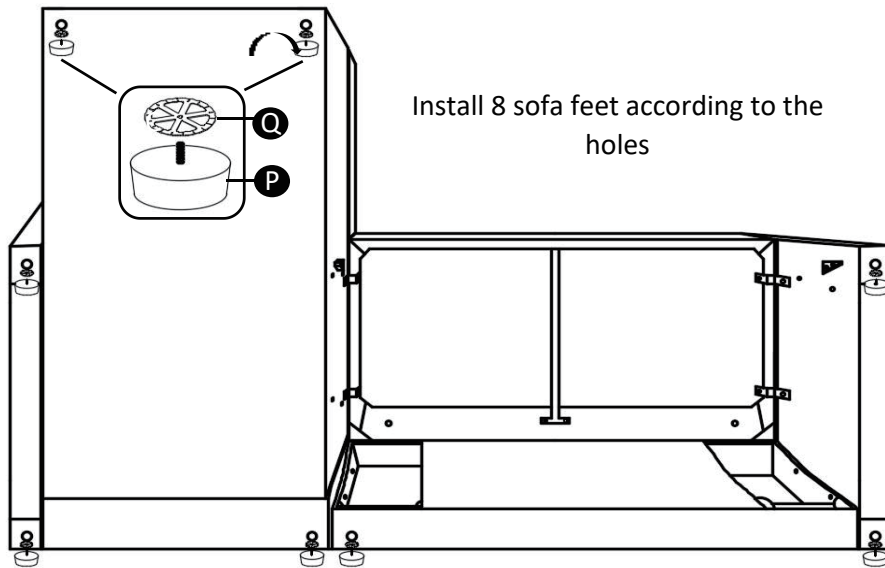
Installation Steps

Materials ▶



Bolt the 2 limiters in this direction

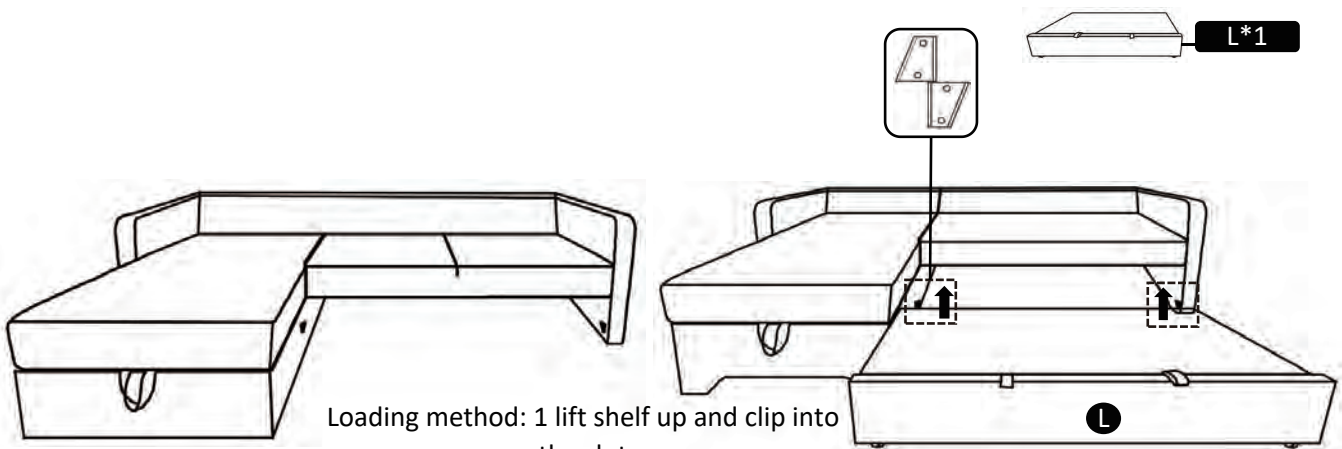
STEP10



Install 8 sofa feet according to the holes



STEP11



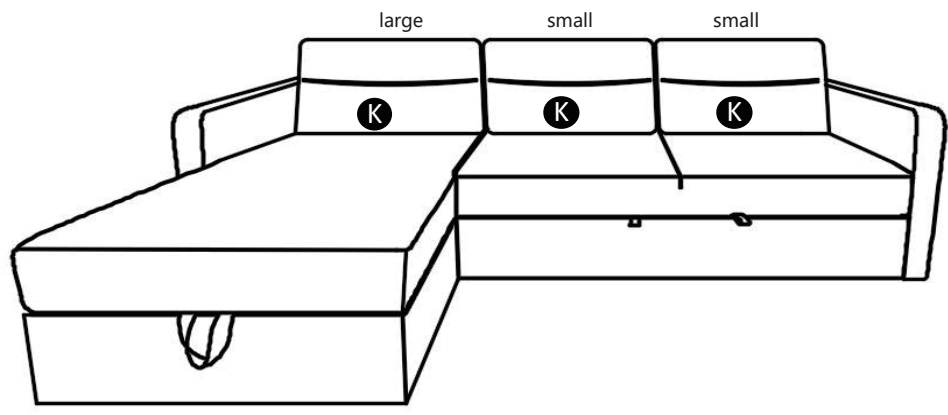
Loading method: 1 lift shelf up and clip into the slot

2 or lift the sofa as a whole can also be installed

STEP12

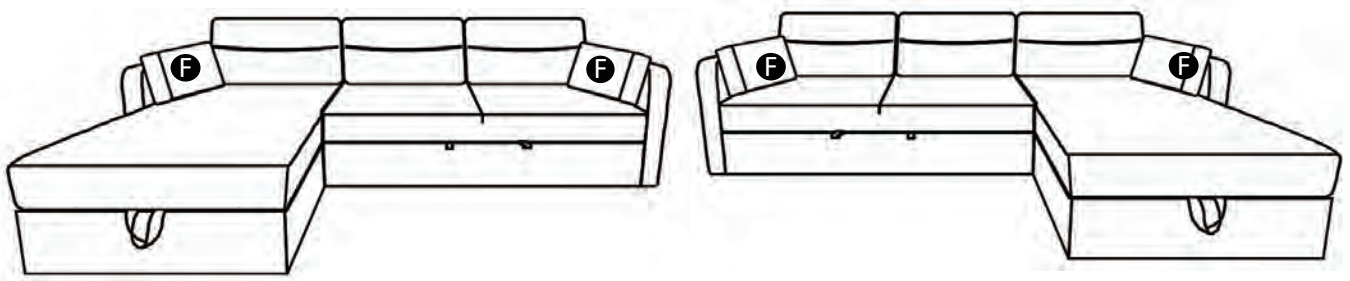
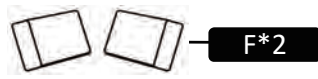
Installation Steps

Materials ▶



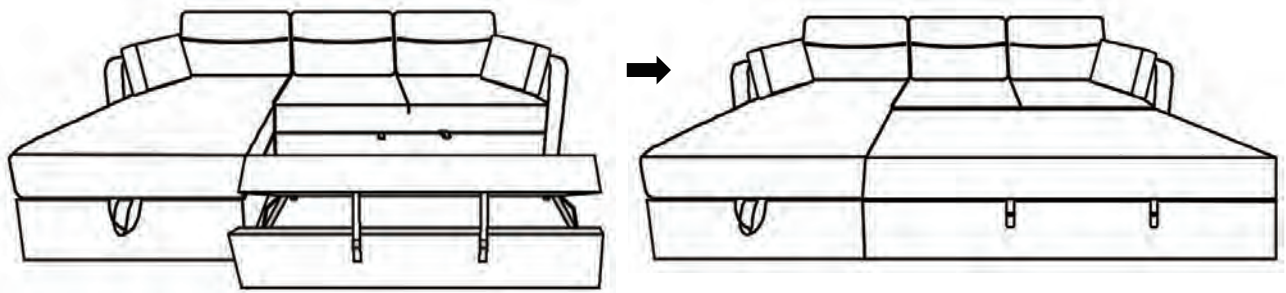
Put the sofa back pack according to the picture

STEP13



Put the sofa hand bag according to the picture

STEP14



Pull the sofa shelf rope up and down

STEP15

Frequently Asked Questions

We understand that receiving damaged or defective products can be disappointing, and we're here to assist you every step of the way. Here's how to address common concerns and initiate a damage claim:

1.What should I do if my shipment is damaged or products received are defective?

We're genuinely sorry to hear about any inconvenience caused. Please reach out to us promptly, and our team will prioritize resolving the matter swiftly and effectively, please retain the original box in case a return is required.

2.Can I return the product if I'm not satisfied?

While we uphold stringent quality standards and collaborate with experienced manufacturers, we acknowledge that dissatisfaction may arise. If you're still unsatisfied, of receiving the product. Simply message us with your reasons for return, and we'll facilitate the process.