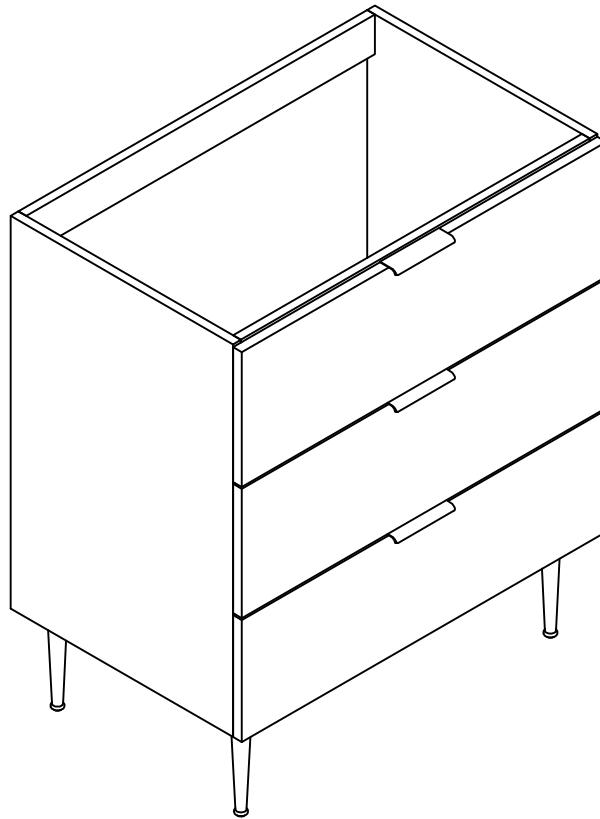




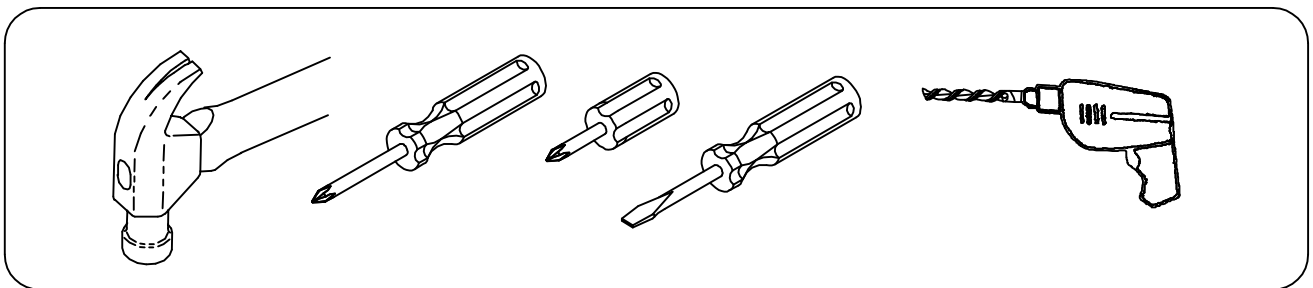
US 143



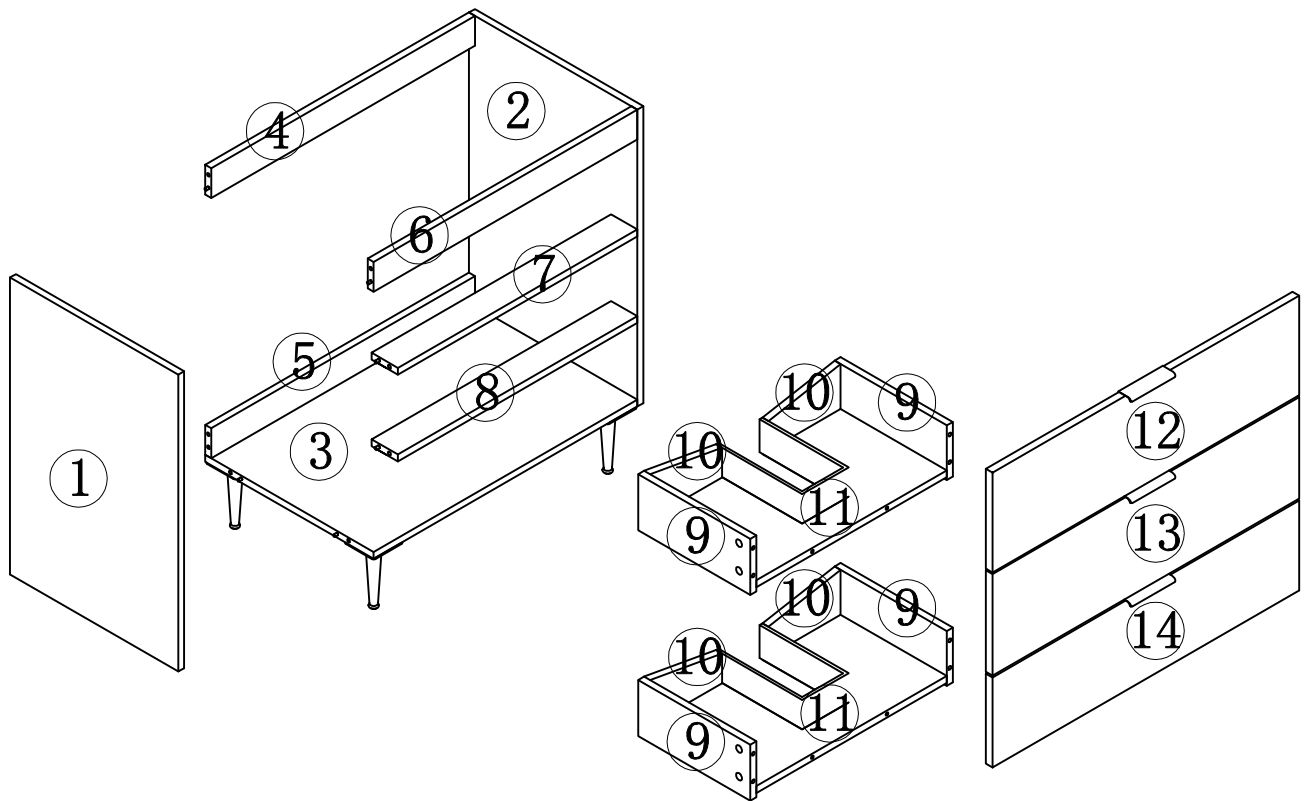


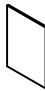

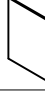
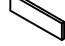
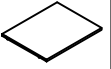



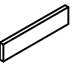





For the convenience and neatness of reading the manual, the door panel here is displayed using a simple drawing method.










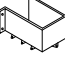
YOU MAY NEED (NOT SUPPLY)




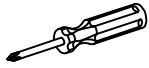
ASSEMBLY DIAGRAM



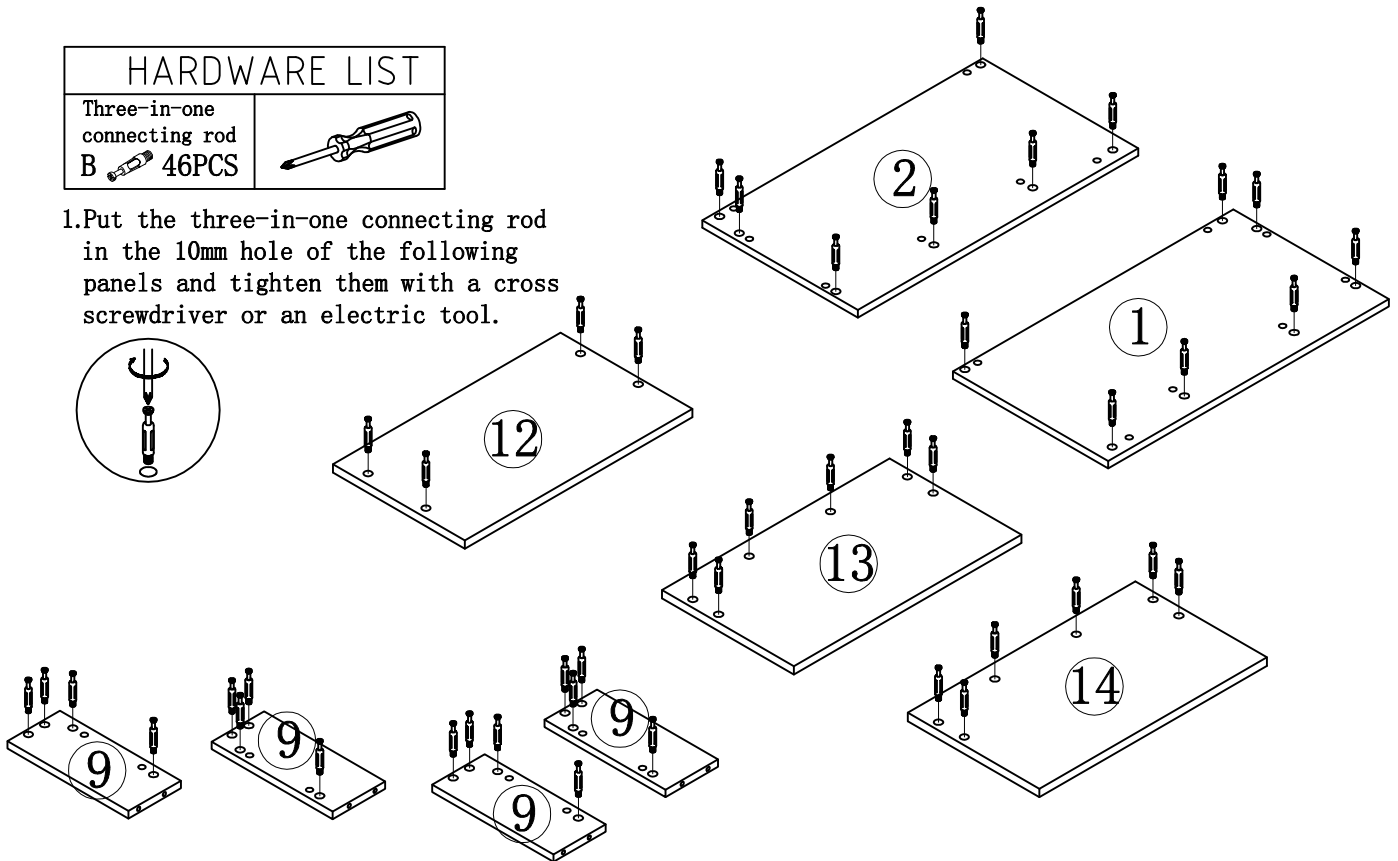
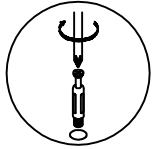
PARTS LIST					
PARTS LIST					
NO	DESCRIPTION	QTY	NO	DESCRIPTION	QTY
①	Left side panel 	1	⑧	Front fixed panel 	1
②	Right side panel 	1	⑨	Drawer side panel 	4
③	Bottom panel 	1	⑩	Drawer rear panel 	4
④	Back fixed panel 	1	⑪	Drawer bottom panel 	2
⑤	Back fixed panel 	1	⑫	fake Drawer panel 	1
⑥	Front fixed panel 	1	⑬	Drawer panel 	1
⑦	Front fixed panel 	1	⑭	Drawer panel 	1

PARTS LIST					
HARDWARE LIST					
NO	DESCRIPTION	QTY	NO	DESCRIPTION	QTY
A	Three-in-one eccentric wheel 	46	G	4*16mm screw 	60
B	Three-in-one connecting rod 	46	H	4*12mm screw 	6
C	Three-in-one sticker 	46	I	Door handle 	3
D	8*40mm wood dowel pins 	22	J	Metal feet 	4
E	Drawer slides 	4			
F	Drawer U-shaped plastic 	2			
CAUTION: Please confirm the parts list before installation					

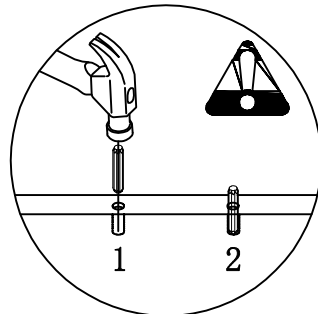
STEP 1

HARDWARE LIST	
Three-in-one connecting rod B  46PCS	

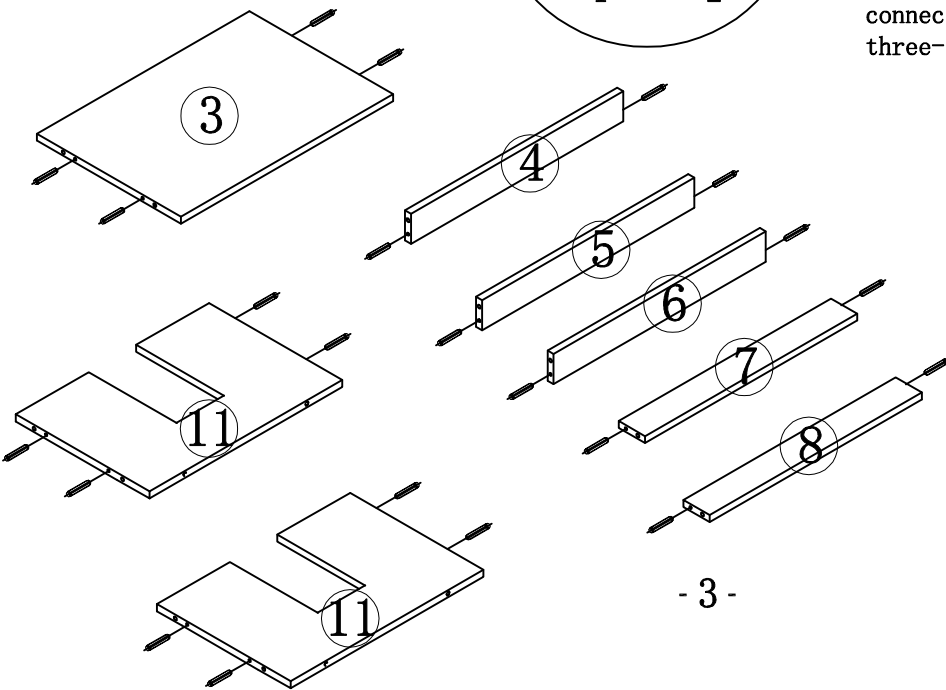
1. Put the three-in-one connecting rod in the 10mm hole of the following panels and tighten them with a cross screwdriver or an electric tool.





STEP 2

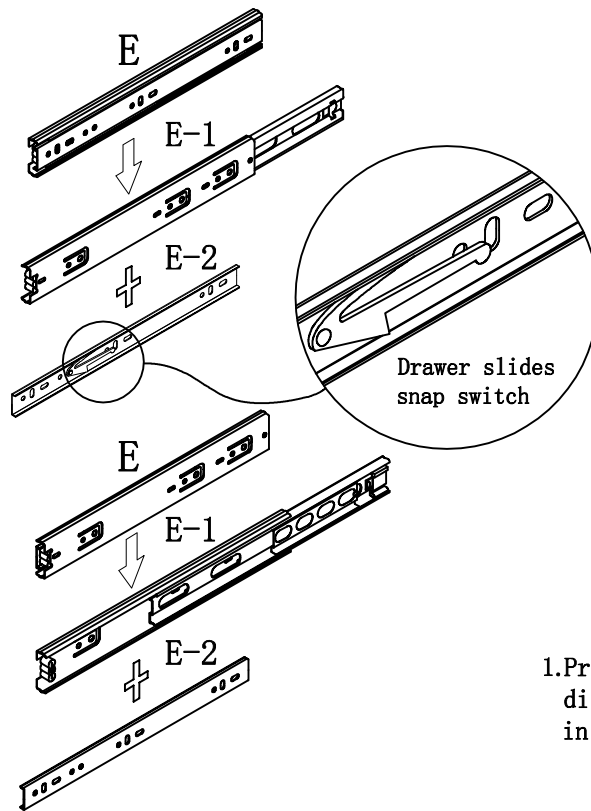


1. Strike the 08*40mm wood dowel pin into the 8m hole of the above panels with an iron hammer. Please note that the hole of the three-in-one connecting rod should also be 8mm. The hole of the three-in-one connecting rod connects to the hole of 15mm three-in-one eccentric wheel.



HARDWARE LIST	
8*40mm wood dowel pins D  22PCS	

STEP 3

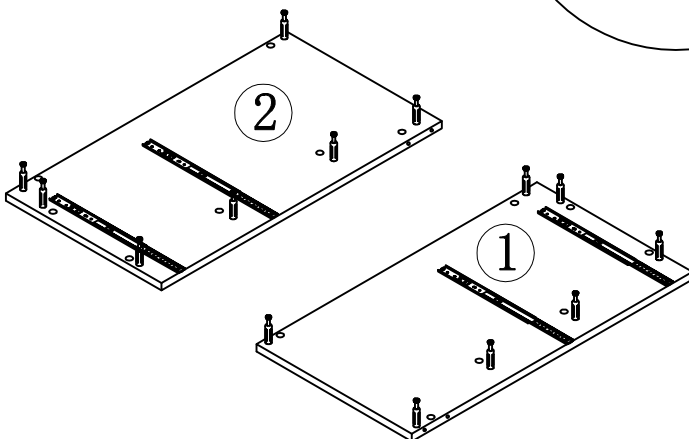
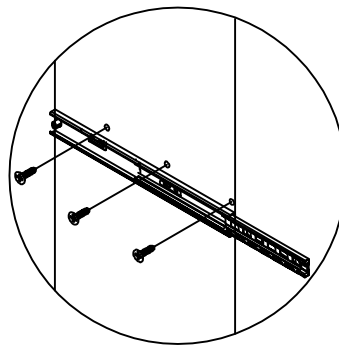


HARDWARE LIST	
Drawer slides	
E 4PCS	

1. Press the slide snap switch, disassemble slide blocks and put them in a place properly for further use.

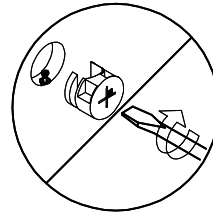
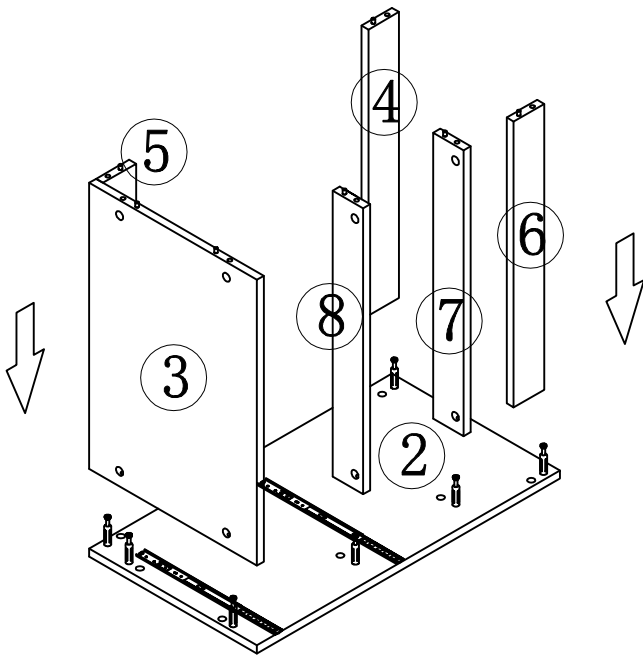
STEP 4

1. Fix the drawer slide to the side panel with 4*16mm screws.

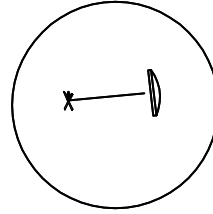


HARDWARE LIST		
4*16mm screw	Drawer slides	
G 12PCS	E-1 4PCS	




STEP 5



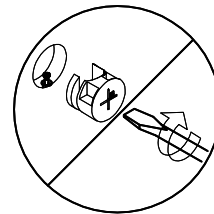
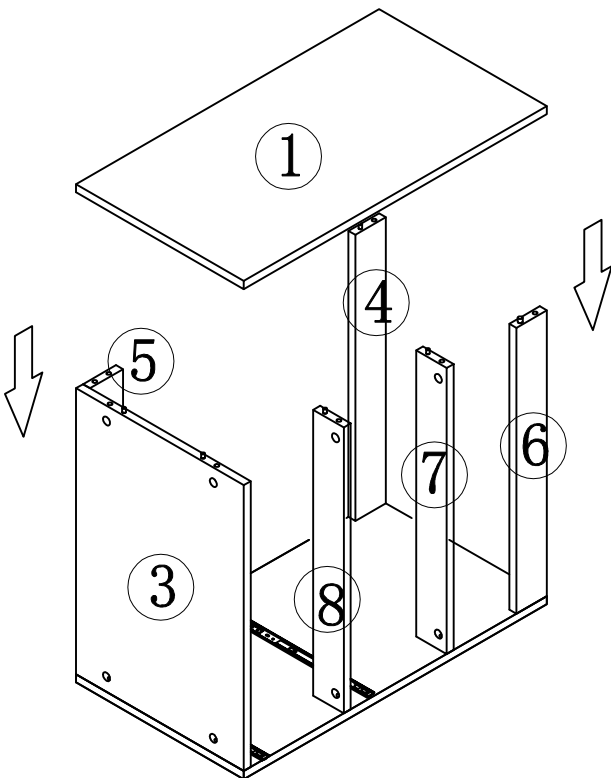
1. Connect No. 3-4-5-6-7-8 panel to No. 2 panel tightly with the three-in-one eccentric wheel.



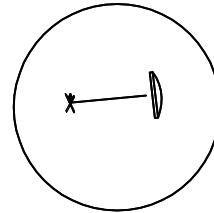
2. Cover the mounting hole of the eccentric wheel with a three-in-one sticker.

HARDWARE LIST		
Three-in-one eccentric wheel A  7PCS	Three-in-one sticker C  7PCS	


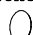

STEP 6



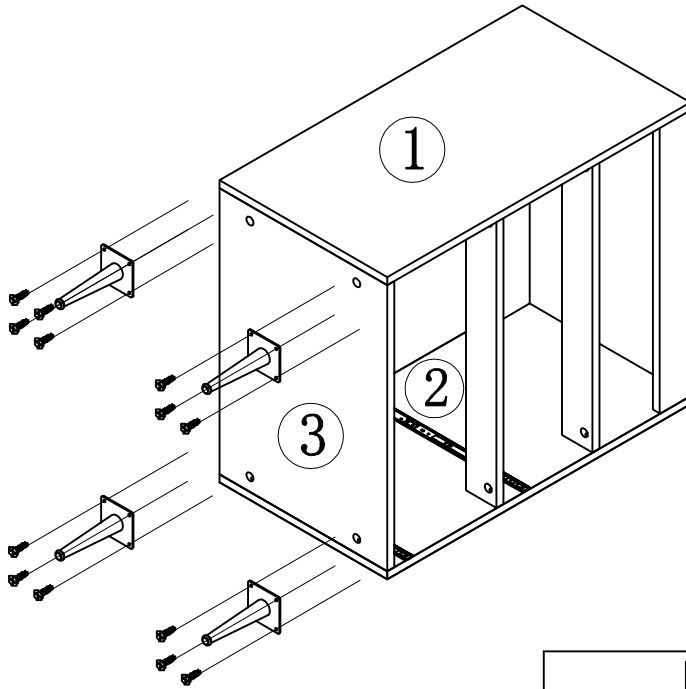
1. Connect No. 1 panel to No. 3-4-5-6-7-8 panel tightly with the three-in-one eccentric wheel.






2. Cover the mounting hole of the eccentric wheel with a three-in-one sticker.

HARDWARE LIST		
Three-in-one eccentric wheel A  7PCS	Three-in-one sticker C  7PCS	

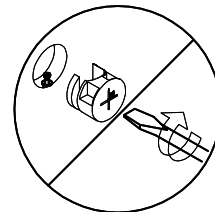
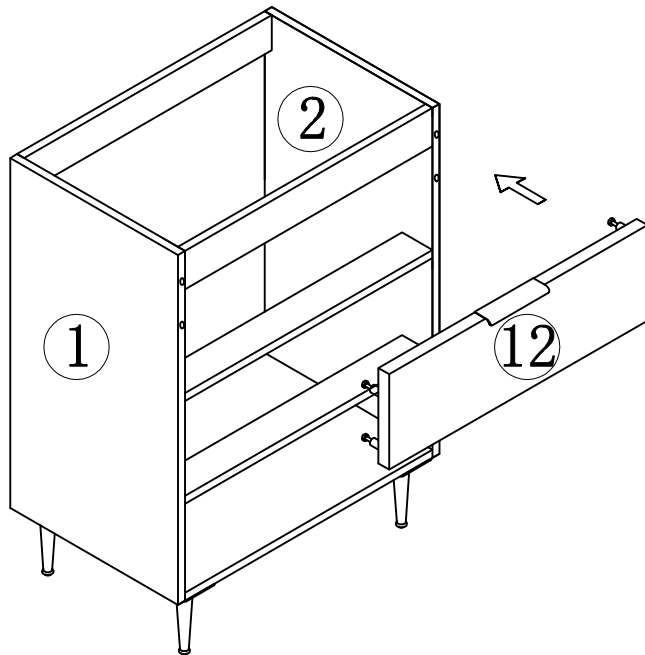
STEP 7



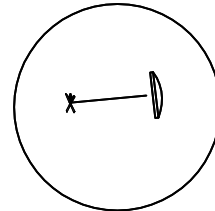
Use 4*16 screws to fix the Metal feet

HARDWARE LIST		
4*16mm screw	Metal feet	
G  16PCS	J  4PCS	




STEP 8



1. Connect No. 12 panel to No. 1-2 panel tightly with the three-in-one eccentric wheel.

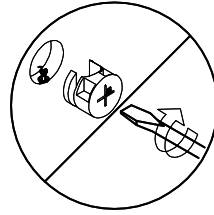
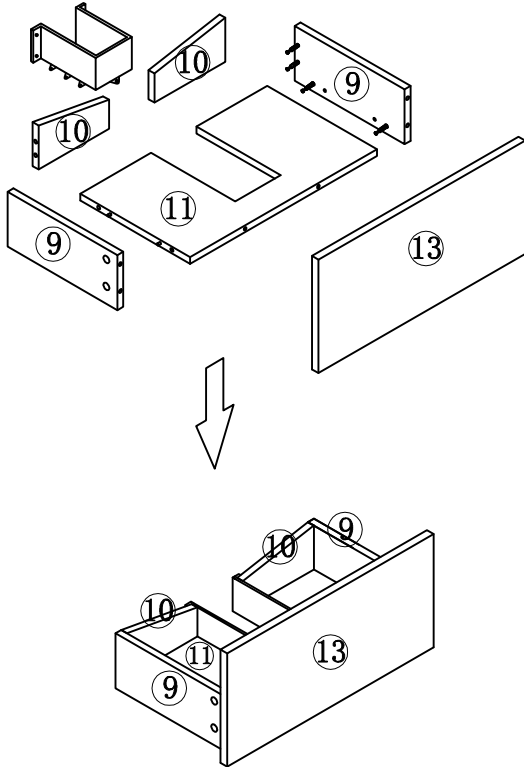


2. Cover the mounting hole of the eccentric wheel with a three-in-one sticker.

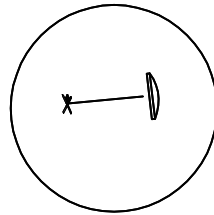
HARDWARE LIST		
Three-in-one eccentric wheel	Three-in-one sticker	
A  4PCS	C  4PCS	

STEP 9


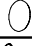
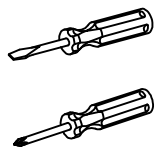


1. Install the Drawer U-shaped plastic with 4*16mm screws.



1. Install No. 9-10-11-13 panels with the three-in-one eccentric wheel tightly.

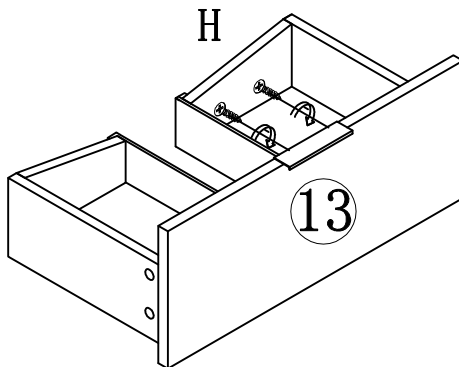




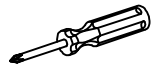
2. Cover the mounting hole of the eccentric wheel with a three-in-one sticker.

HARDWARE LIST		
Three-in-one eccentric wheel A  14PCS	Three-in-one sticker C  14PCS	
Drawer U-shaped plastic I  2PCS	4*16mm screw G  10PCS	

STEP 10

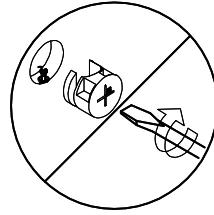
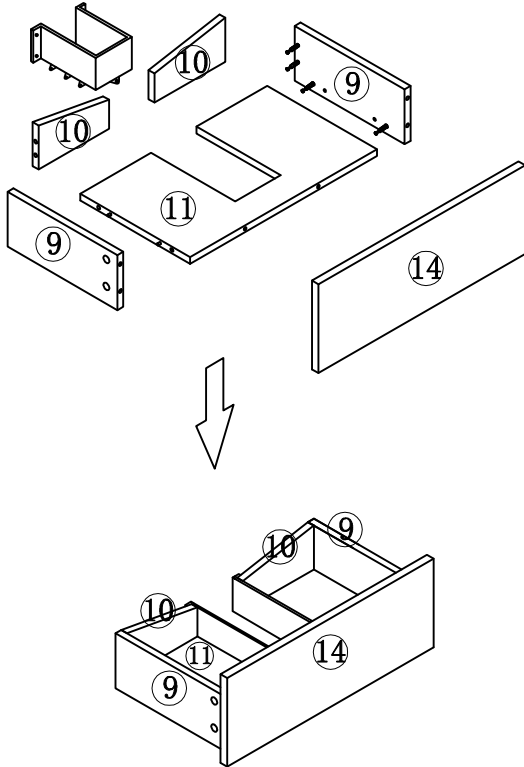
1. Install the drawer handle with 4*12 mm screws.



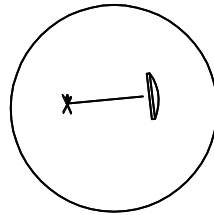
HARDWARE LIST		
4*12mm screw H  2PCS	Drawer handle F  1PCS	

STEP 11


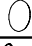
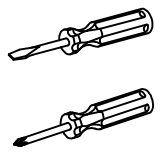


1. Install the Drawer U-shaped plastic with 4*16mm screws.



1. Install No. 9-10-11-14 panels with the three-in-one eccentric wheel tightly.

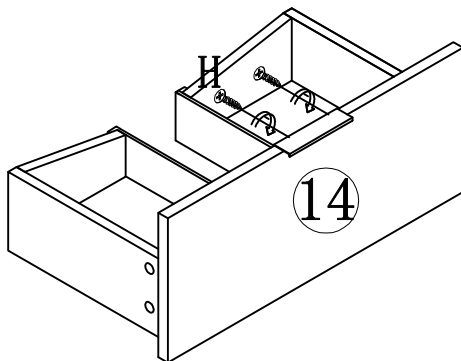



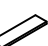
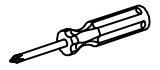
2. Cover the mounting hole of the eccentric wheel with a three-in-one sticker.

HARDWARE LIST		
Three-in-one eccentric wheel A  14PCS	Three-in-one sticker C  14PCS	
Drawer U-shaped plastic I  2PCS	4*16mm screw G  10PCS	

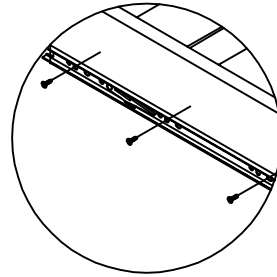
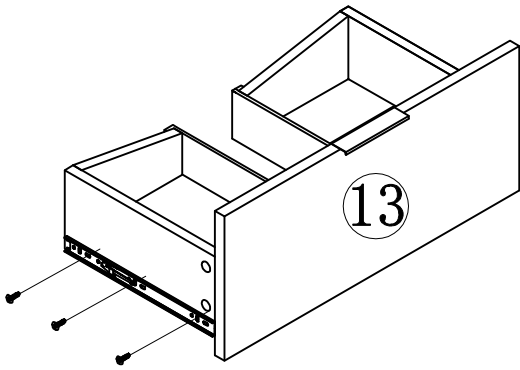
STEP 12

1. Install the drawer handle with 4*12 mm screws.

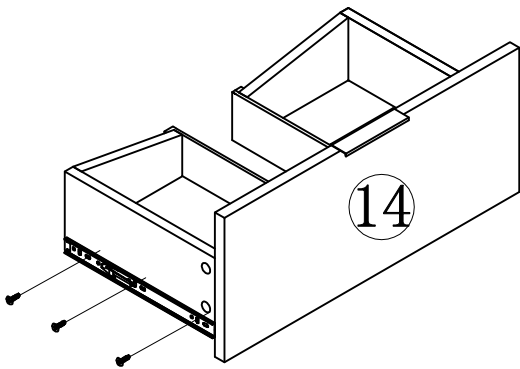


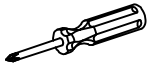


HARDWARE LIST		
4*12mm screw H  2PCS	Drawer handle F  1PCS	

STEP 13

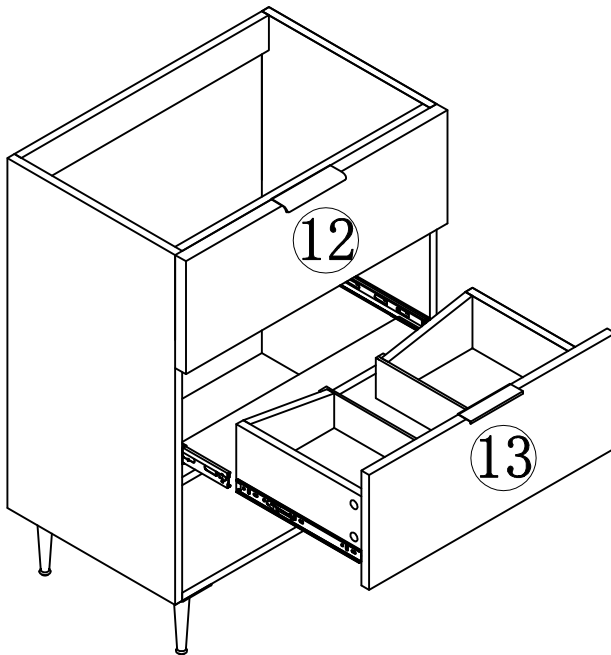


1.Lock the spare drawer slide block to the drawer.

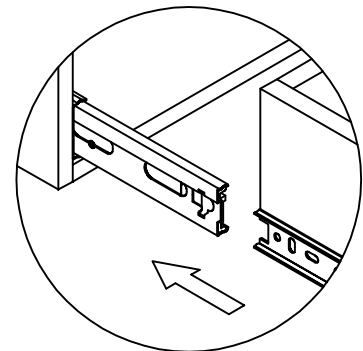


HARDWARE LIST		
4*16mm screw	Drawer slides	
G  12PCS	E-2  4PCS	

STEP 14

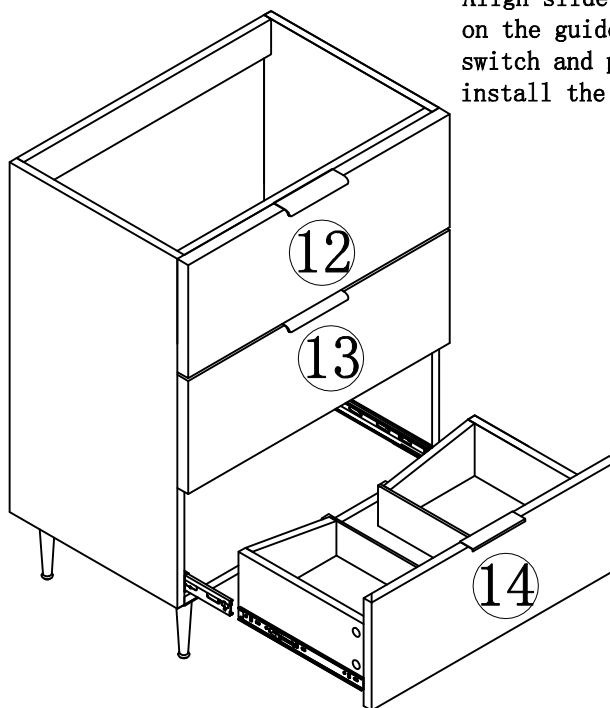


1.Align slide block with the trough on the guide rail, press the snap switch and press it forward to install the drawer.

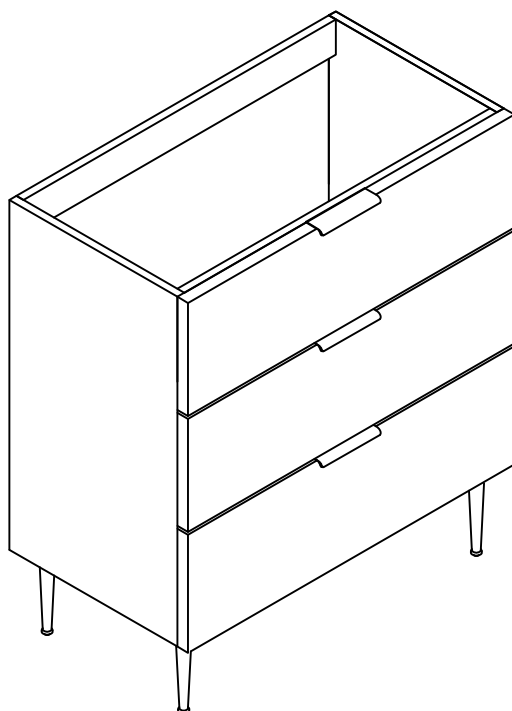


STEP 15

Align slide block with the trough on the guide rail, press the snap switch and press it forward to install the drawer.



STEP 16





Choking hazard-Small Parts : This unit contains small parts, not for children under 3 years.

Tip-over hazard : Secure finished unit to wall stud using L-Bracket and wall screw (#10*1.5"W/out provided). If a wall stud is not neccessible , Consault your local hardware store for appropriate mounting hardware . Failure to properly install will result in product collapse or tip-over. Serious injury can occur .