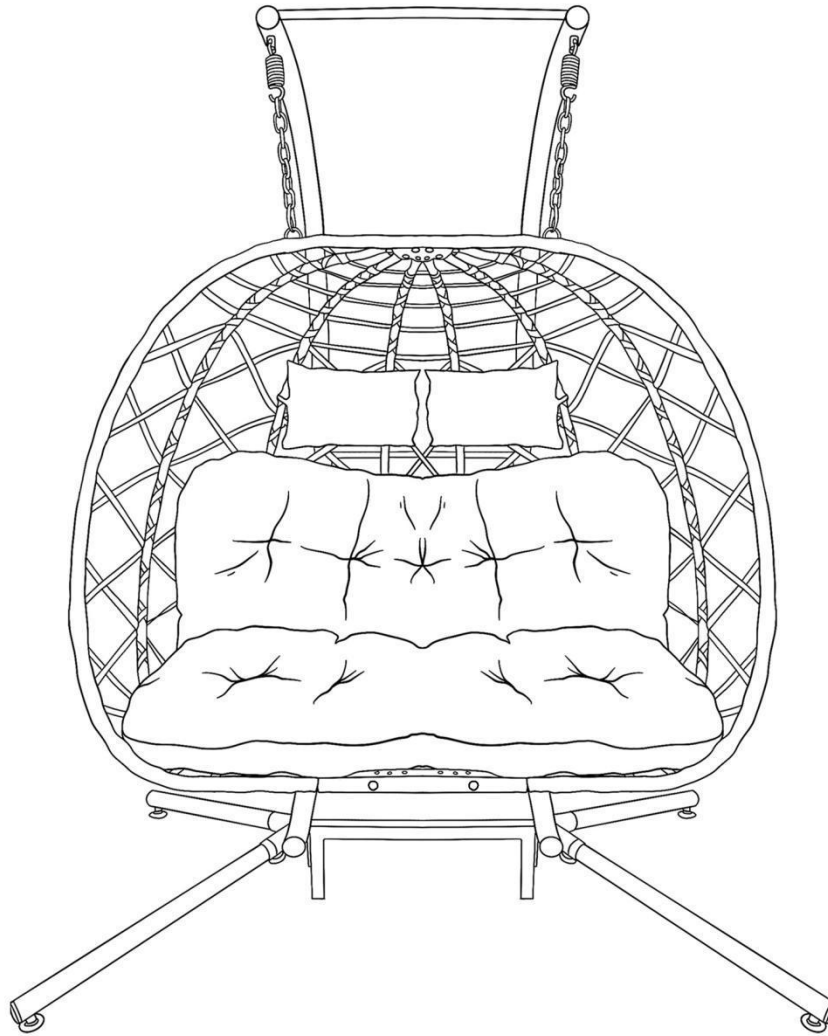


Double Egg Swing Chair

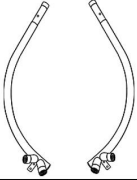
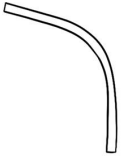





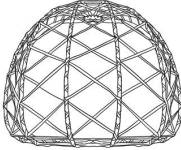

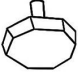



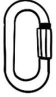


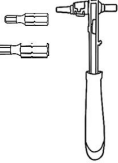
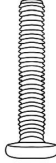

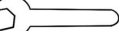


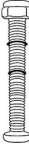

Installation Instructions



**EASY
ASSEMBLY**

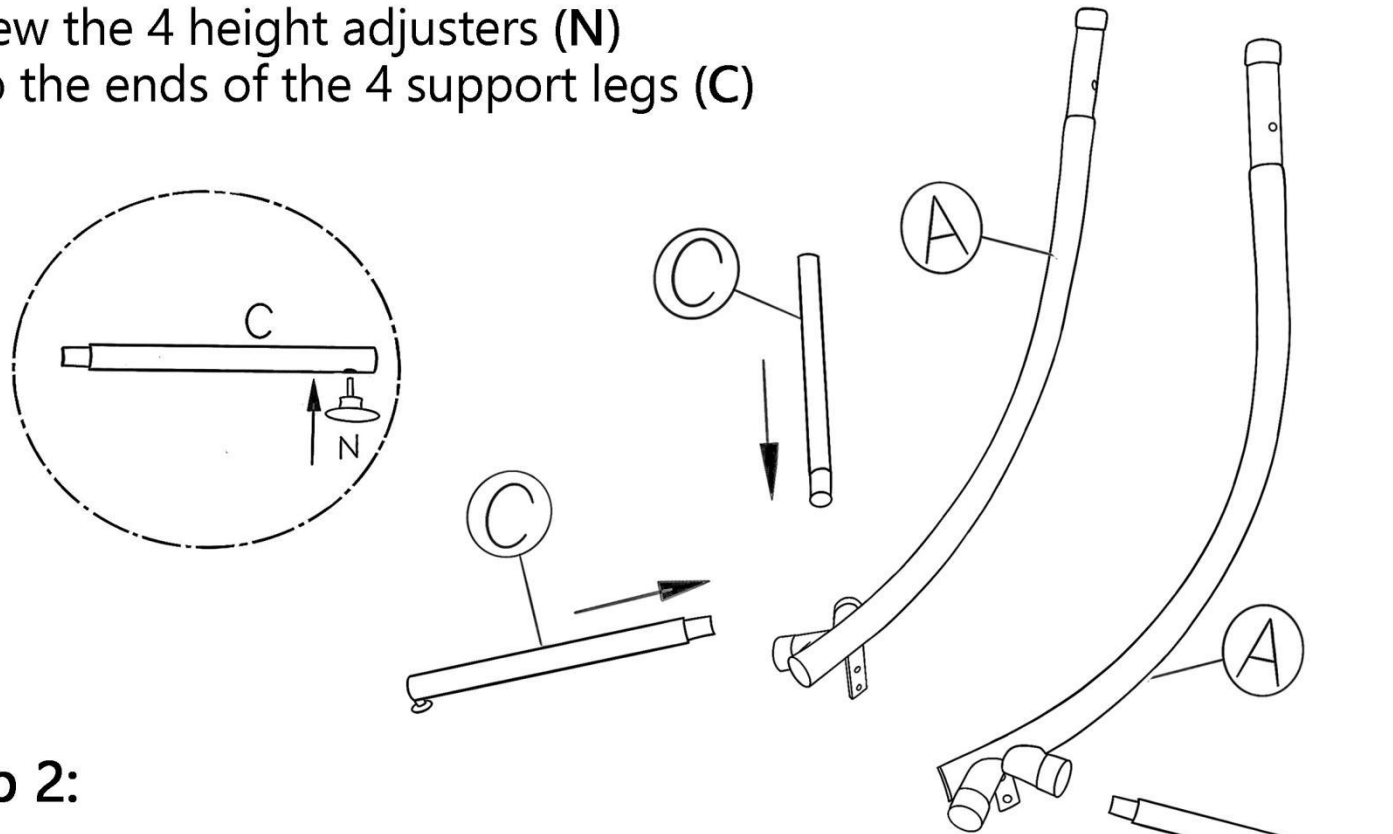
Assemble in
25 minutes
or less

Parts List

Parts List													
Chair Components	Stand												
		A-left	A-right	B	2	C	4	D	1	E	1	F	1
	Basket Chair							 reinforcement					
		G	1	H	1	I	1	J	4	L	2		
		 height adjuster											
		N	4	O	2	P	2	Q	2				
Accessories & Tools	Stand	 M-6		 M-6									
		 M-8		 M-8		M-8,60mm	2	M-8,50mm	4				
	Basket Chair												
		M-8,16mm	4	M-6,35mm	4	M-6,50mm	6						

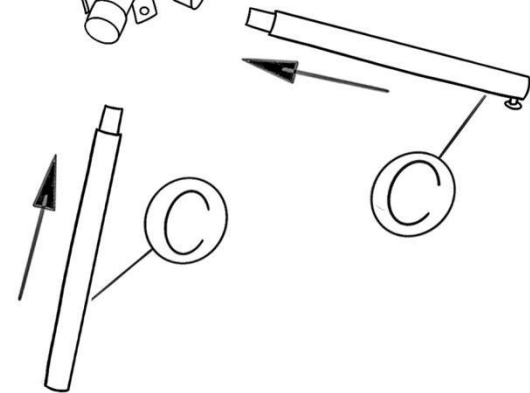
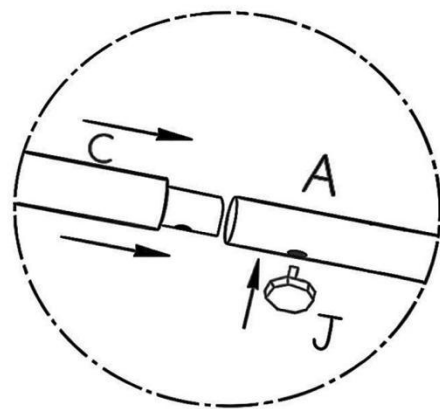
Step 1:

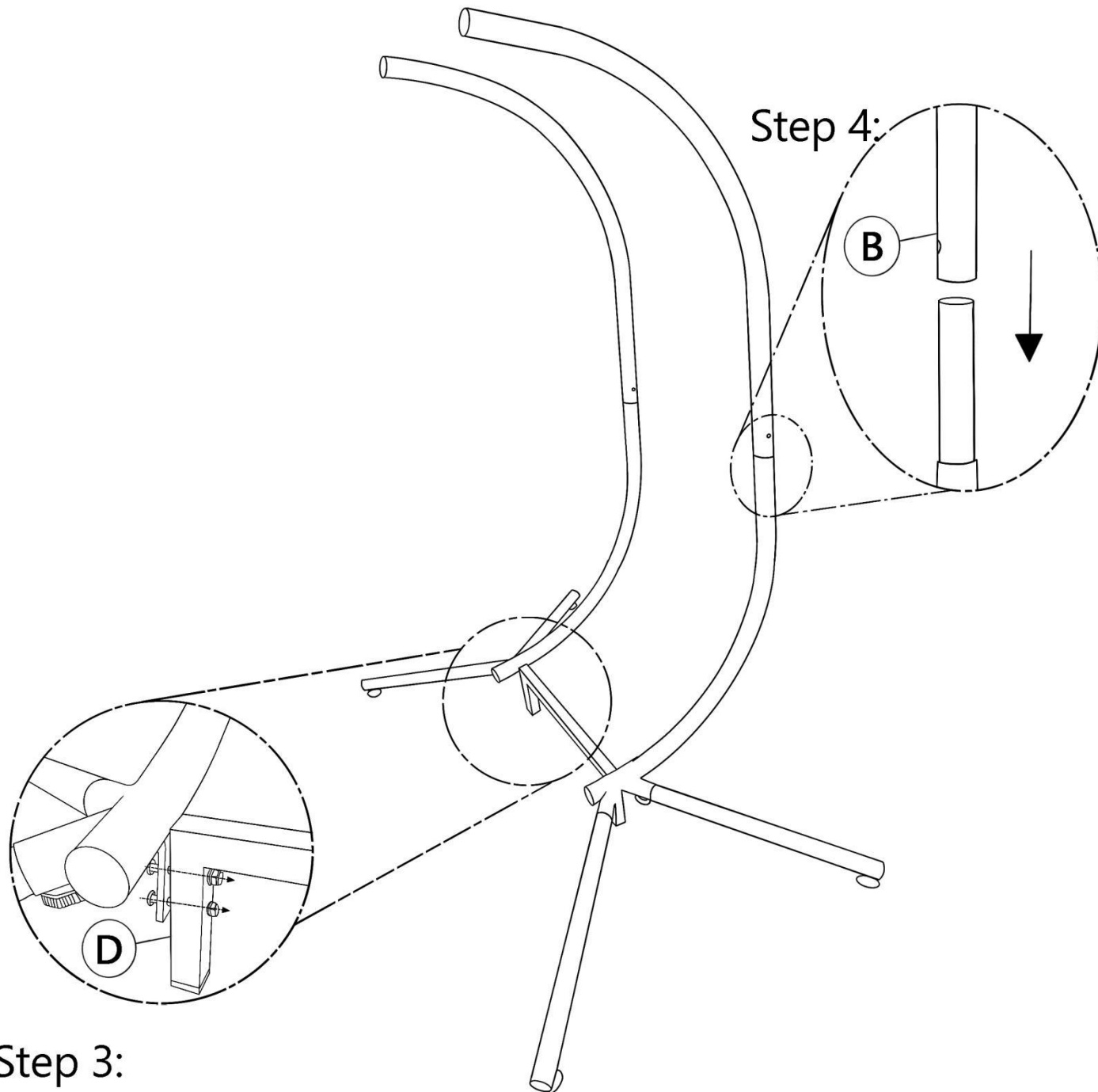
Screw the 4 height adjusters (N)
into the ends of the 4 support legs (C)



Step 2:

Fasten the 4 support legs (C) to the base
frame (A) with the reinforcements (J)



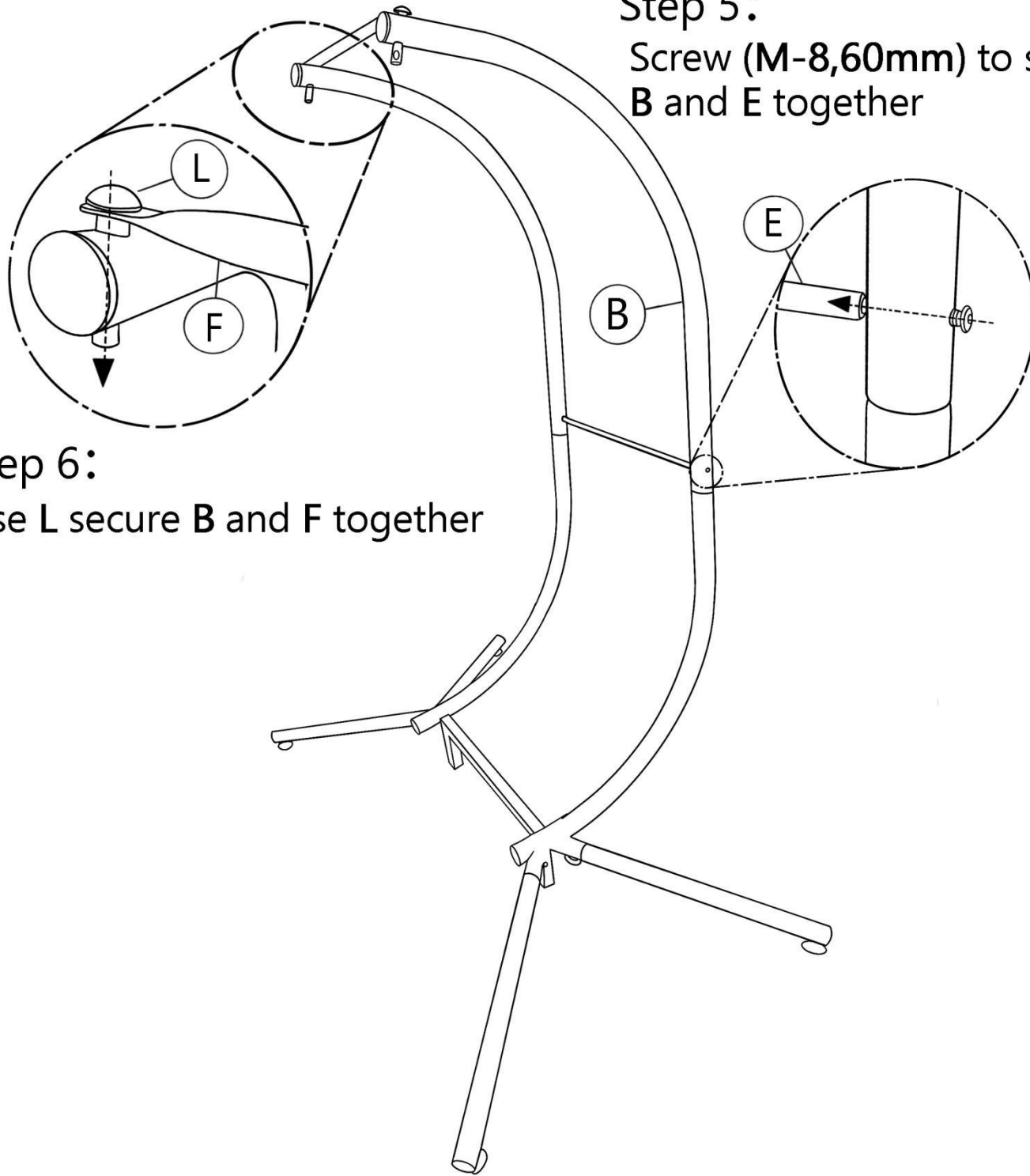


Step 3:

Fasten the Accessory D to the base frame (A)
with the screws (M-8, 50mm)

Step 5:

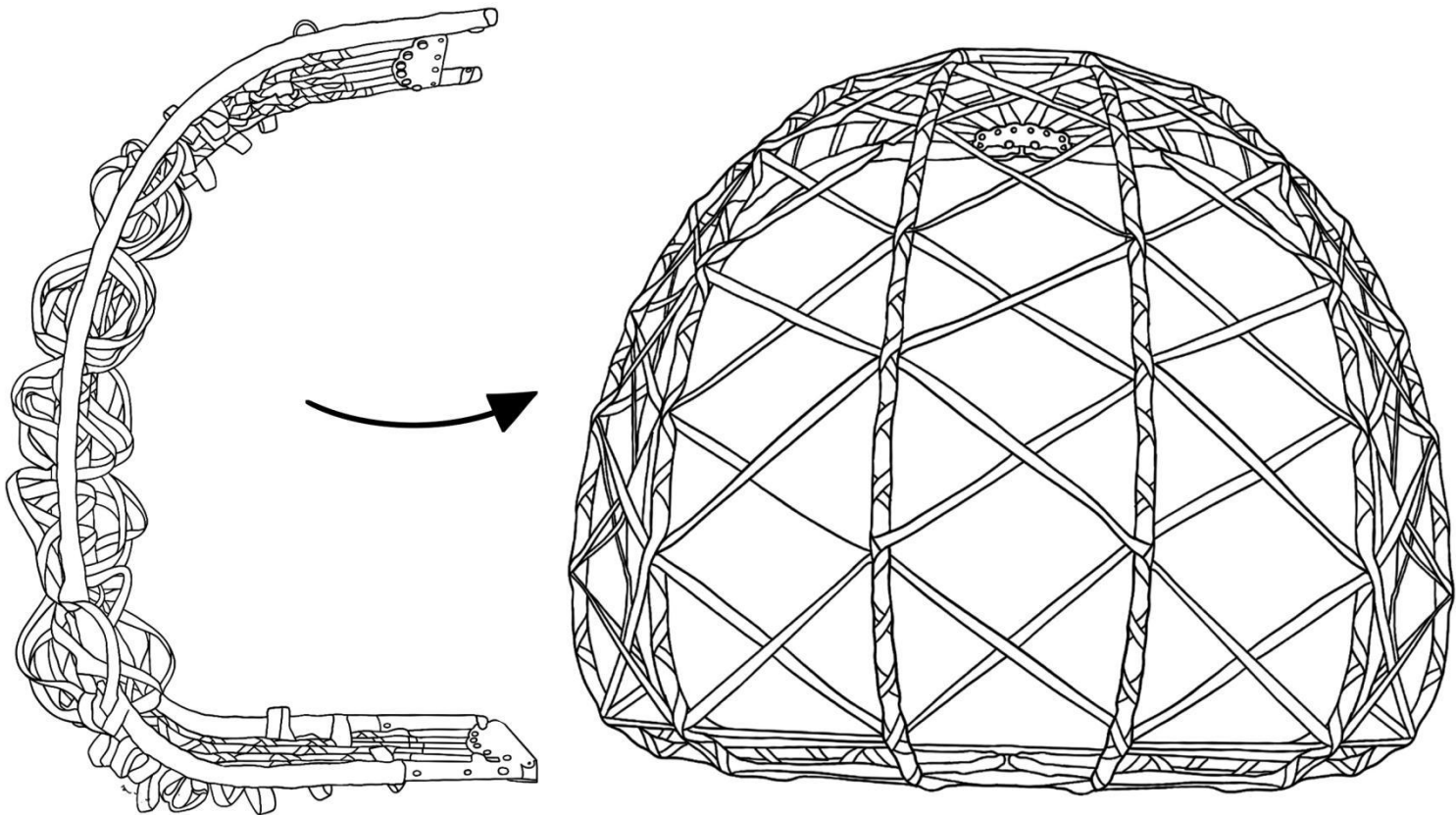
Screw (M-8,60mm) to secure
B and E together

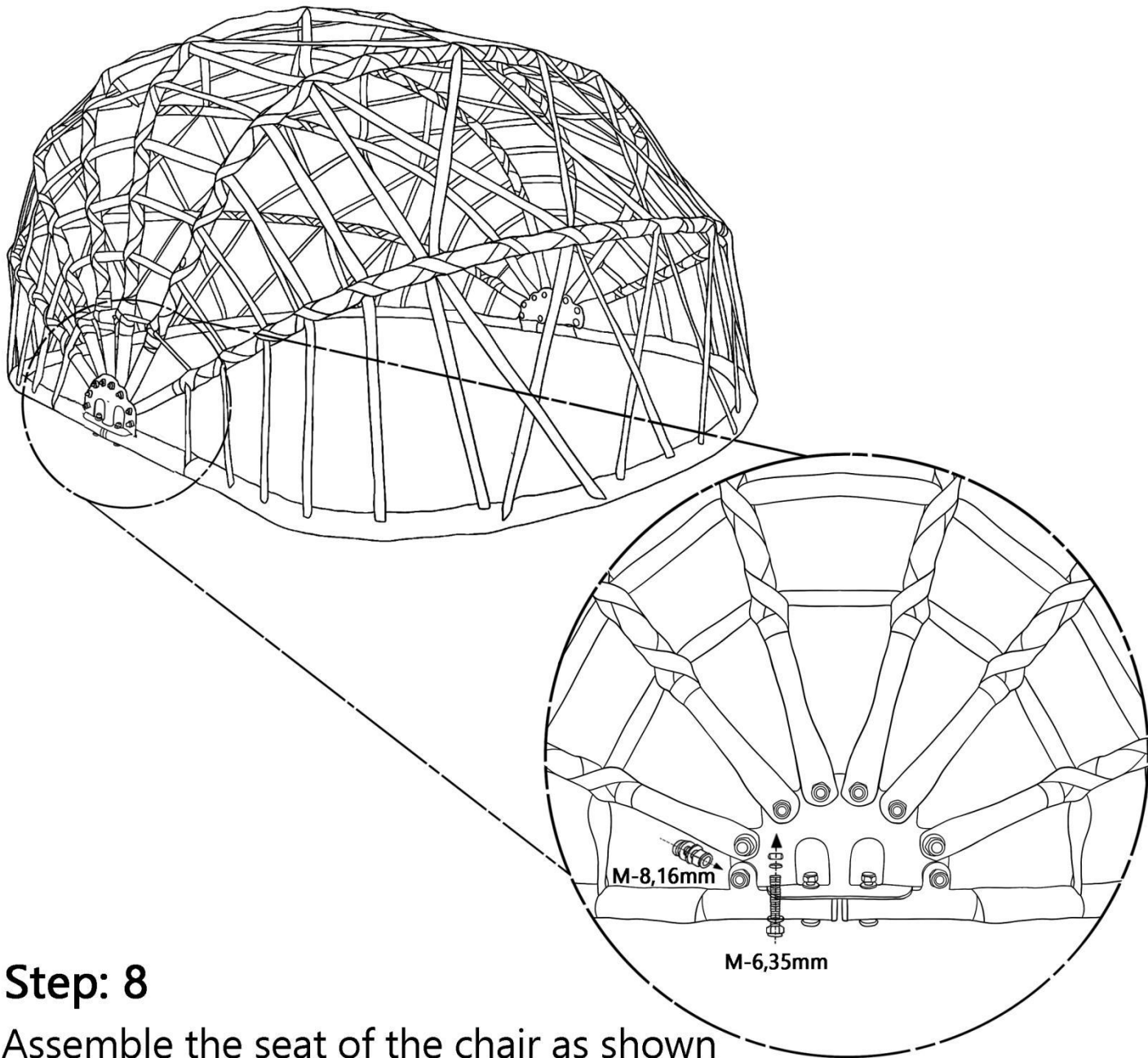


Step 6:

Use L secure B and F together

Step 7: Simply flip the chair base (H) over





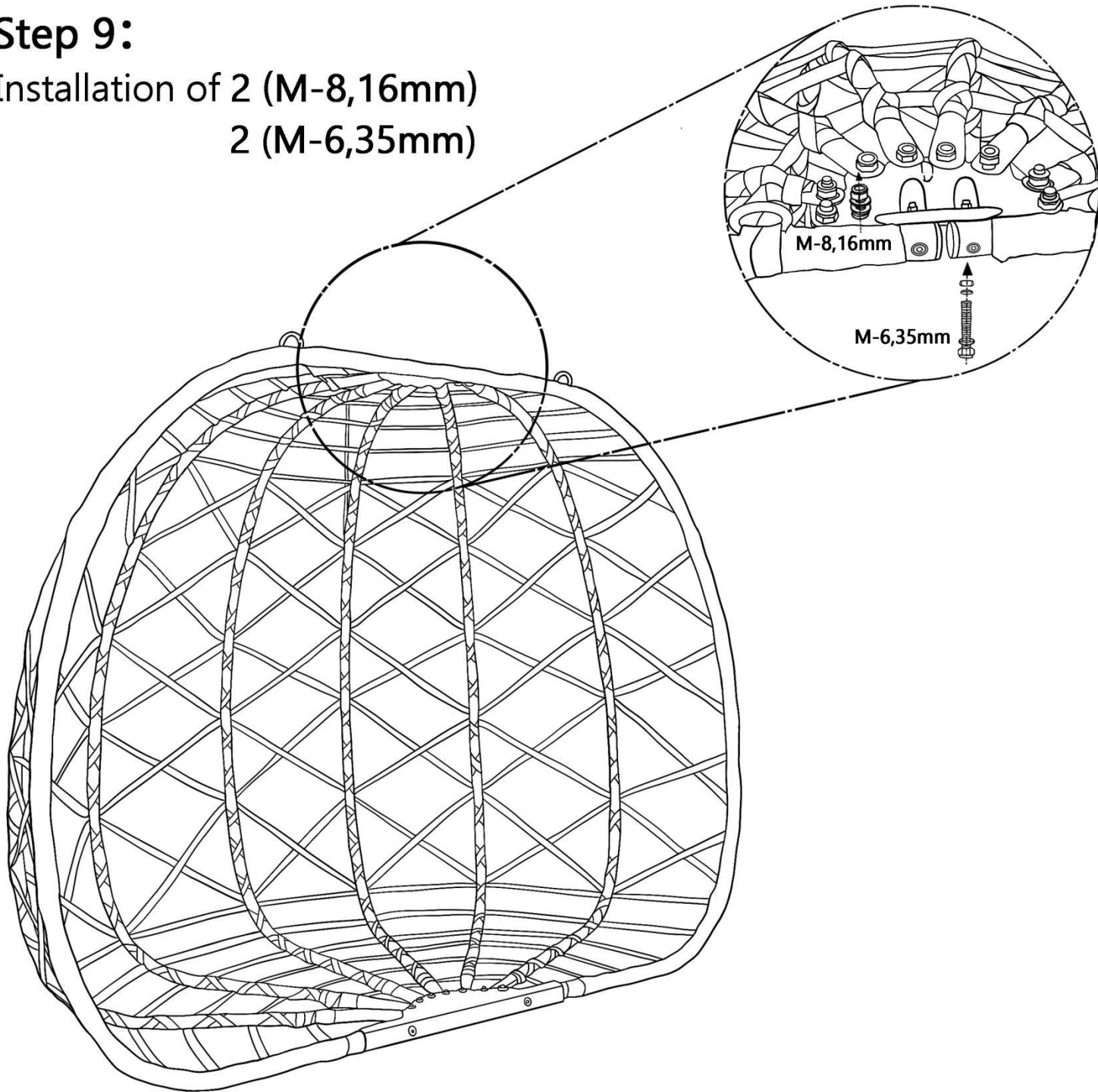
Step: 8

Assemble the seat of the chair as shown

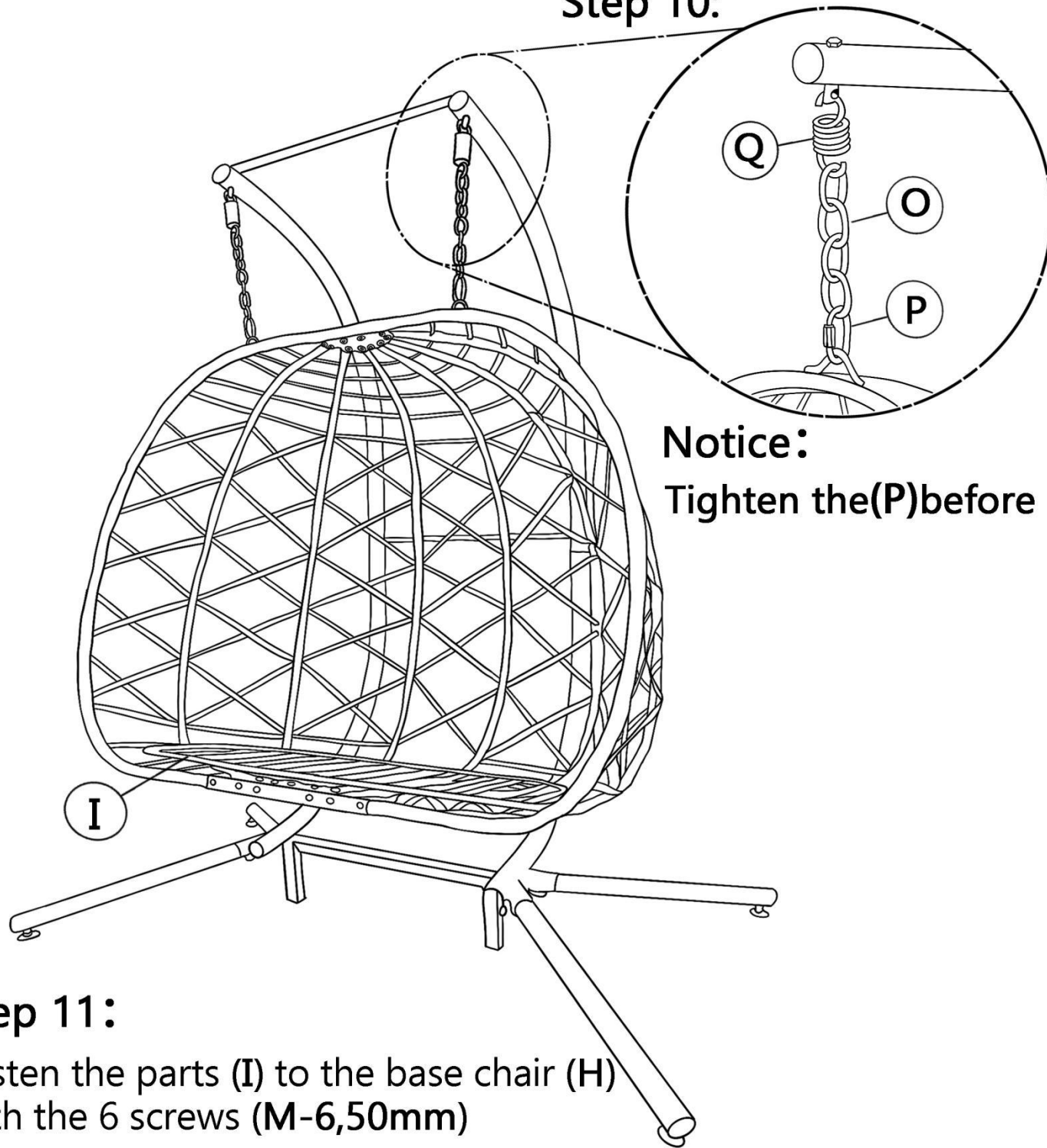
Installation of 2 (M-8,16mm), 2 (M-6,35mm)

Step 9:

Installation of 2 (M-8,16mm)
2 (M-6,35mm)



Step 10:

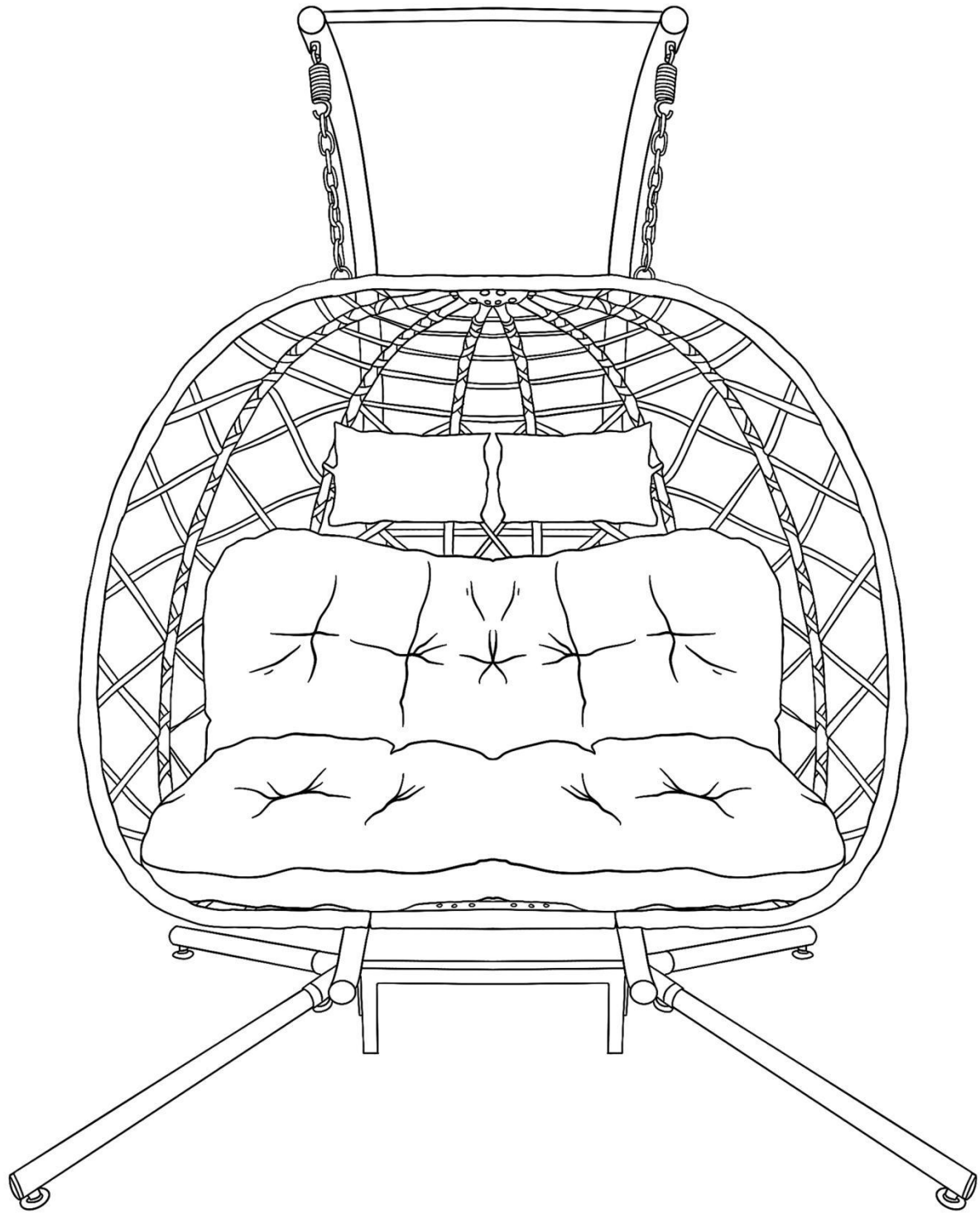


Notice:

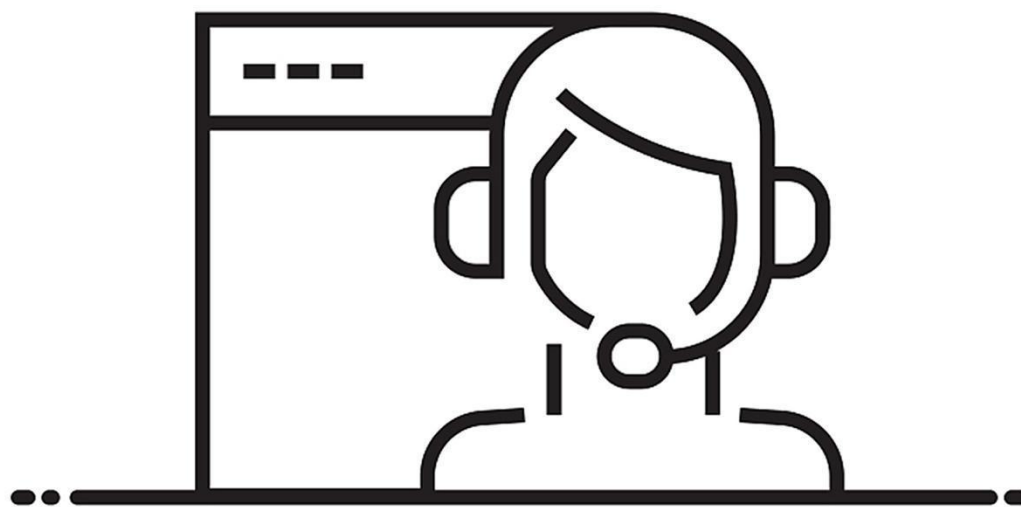
Tighten the(P) before use.

Step 11:

Fasten the parts (I) to the base chair (H) with the 6 screws (M-6,50mm)



ONLINE SUPPORT



Please read the installation guide carefully before installation

If you have any questions during the installation process
you can contact us and we will provide you a detailed guidance