

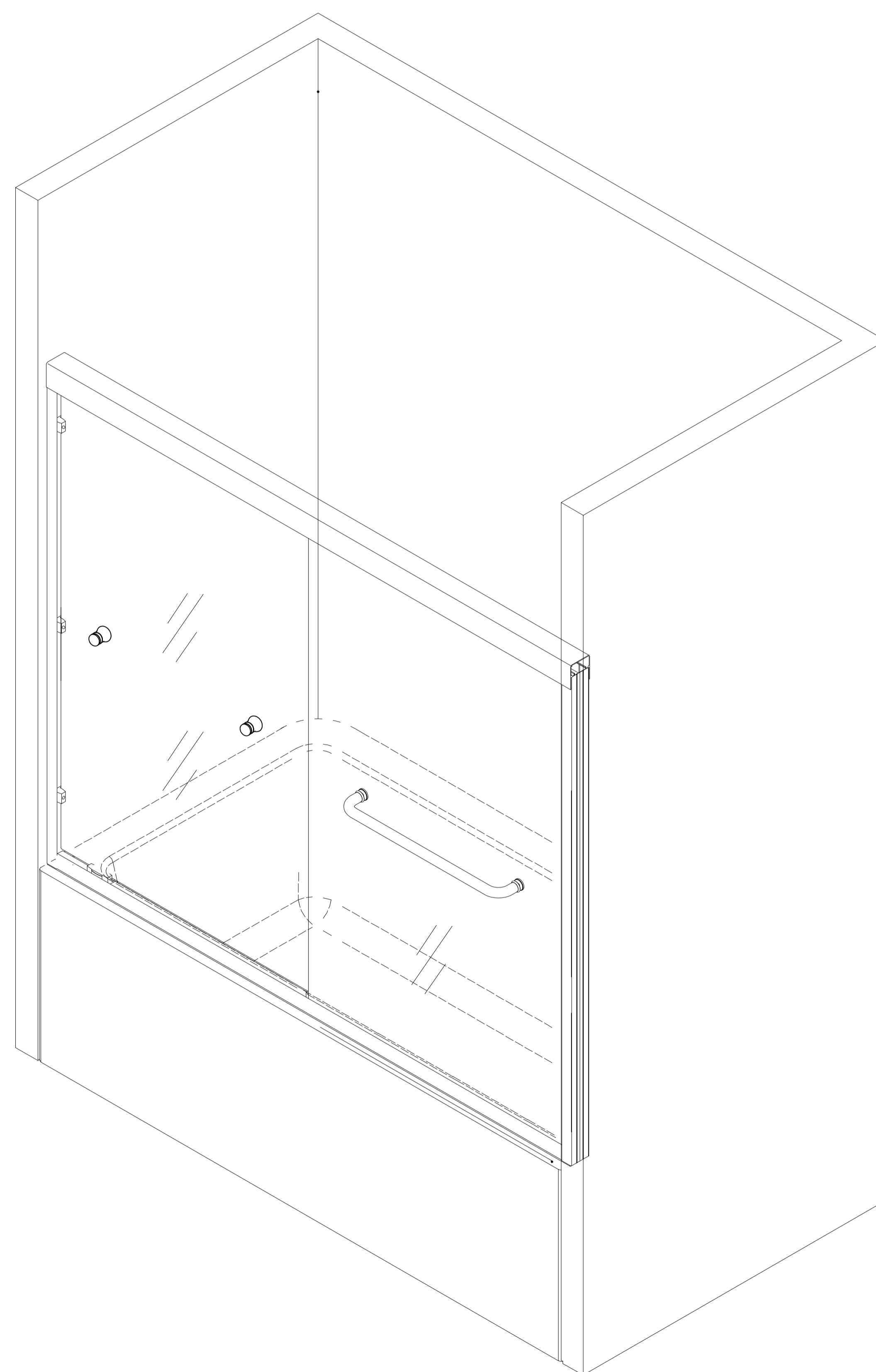
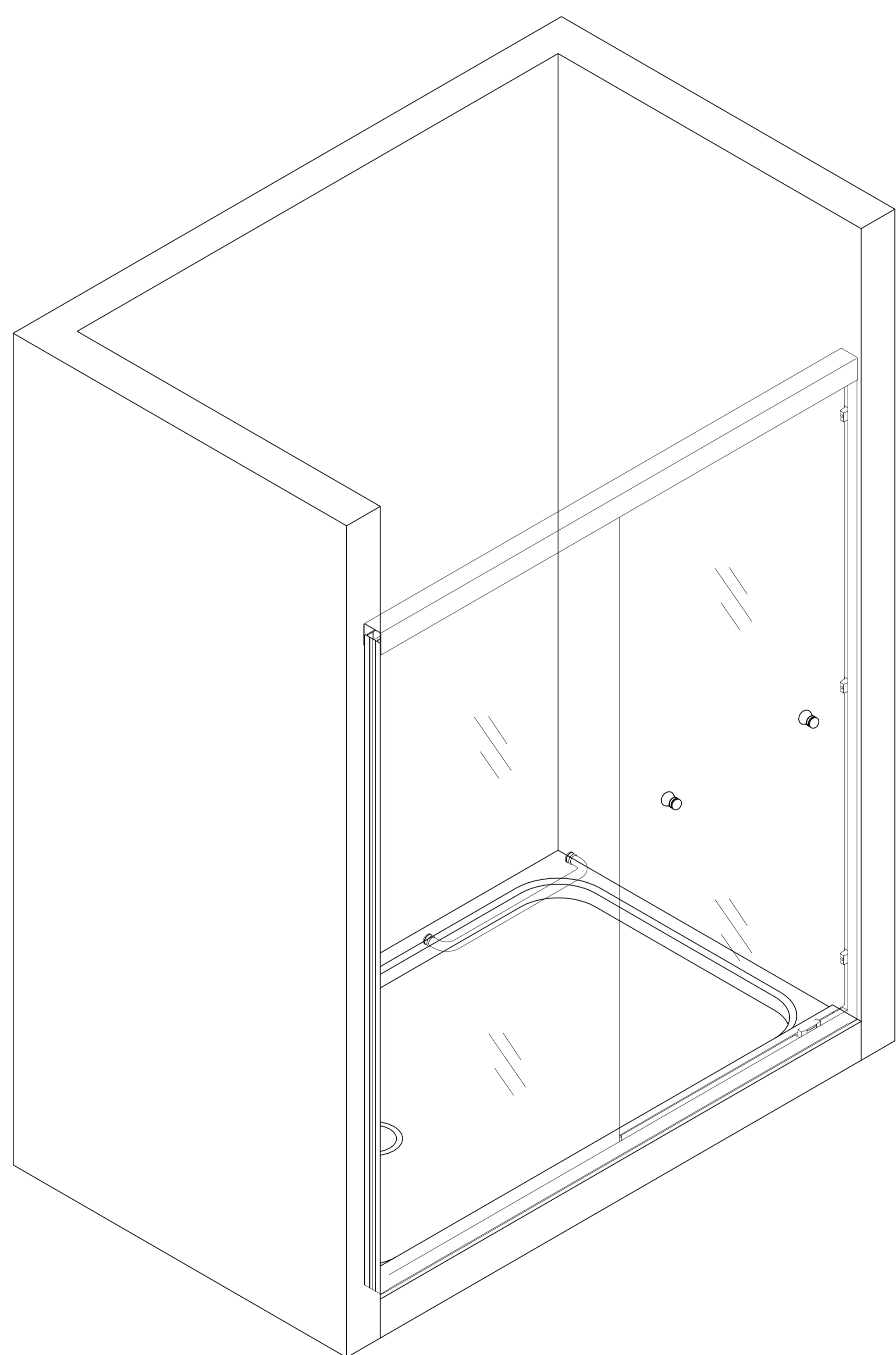
Shower Door
1/4" glass (6mm)

Instruction Dimensions
55" - 60" W x 72" H
55" - 60" W x 60" H

S9002-F INSTALLATION GUIDE

CAUTION:

To reduce the risk of breakage, keep corner protectors on glass while installing. Keep corner protectors for use in case future adjustments are needed.



installation video

Please spend two minutes watching the installation video to save half an hour of installation time



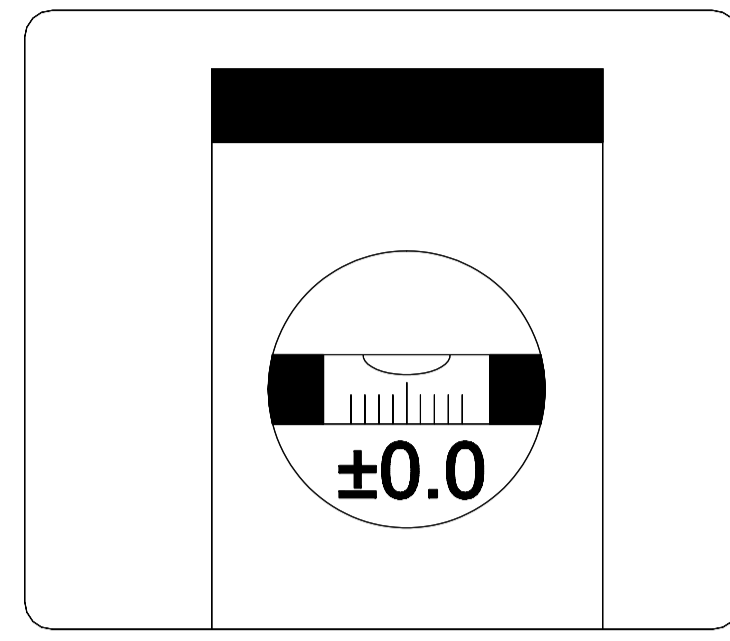
Scan the QR code

Model Specific Preparation

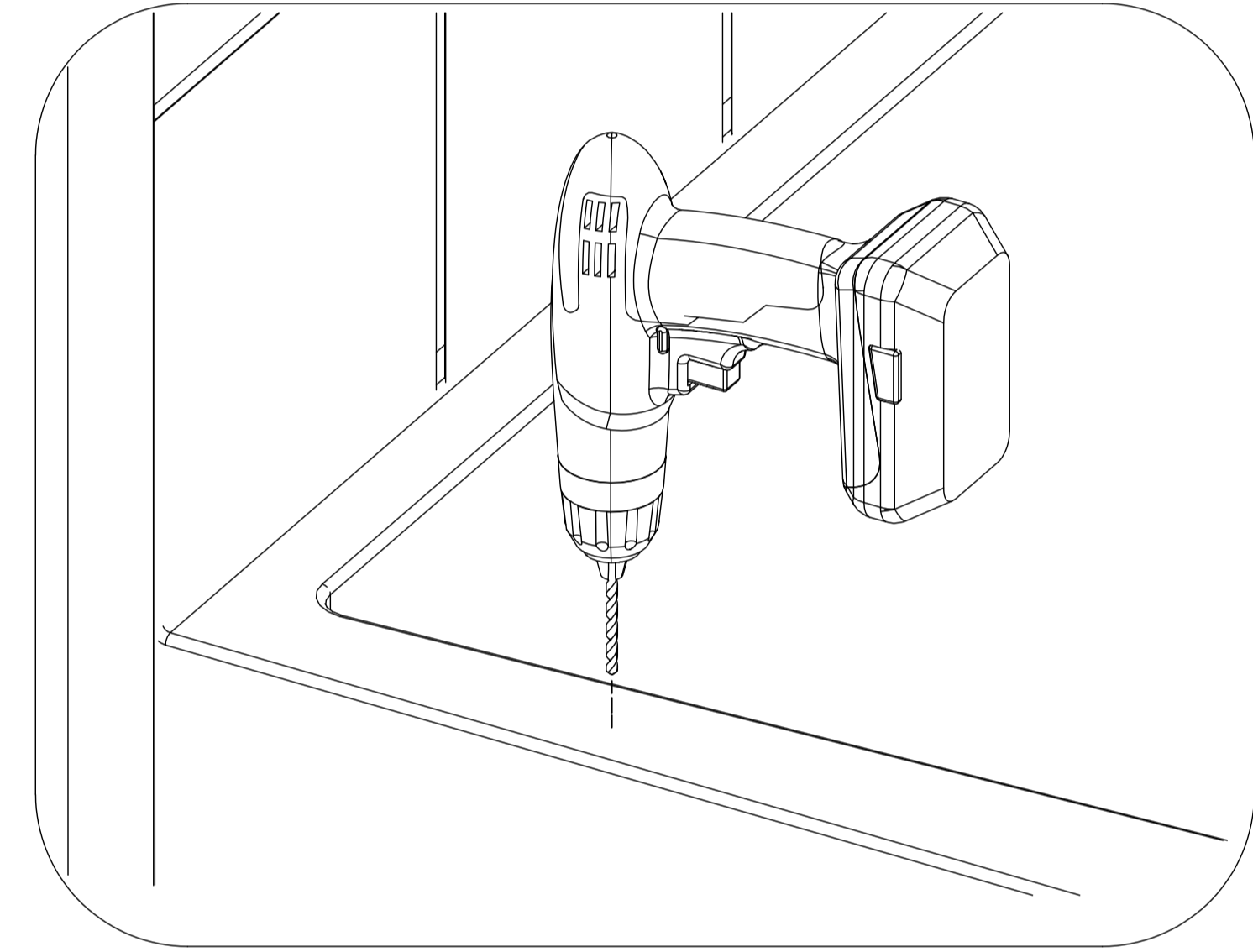
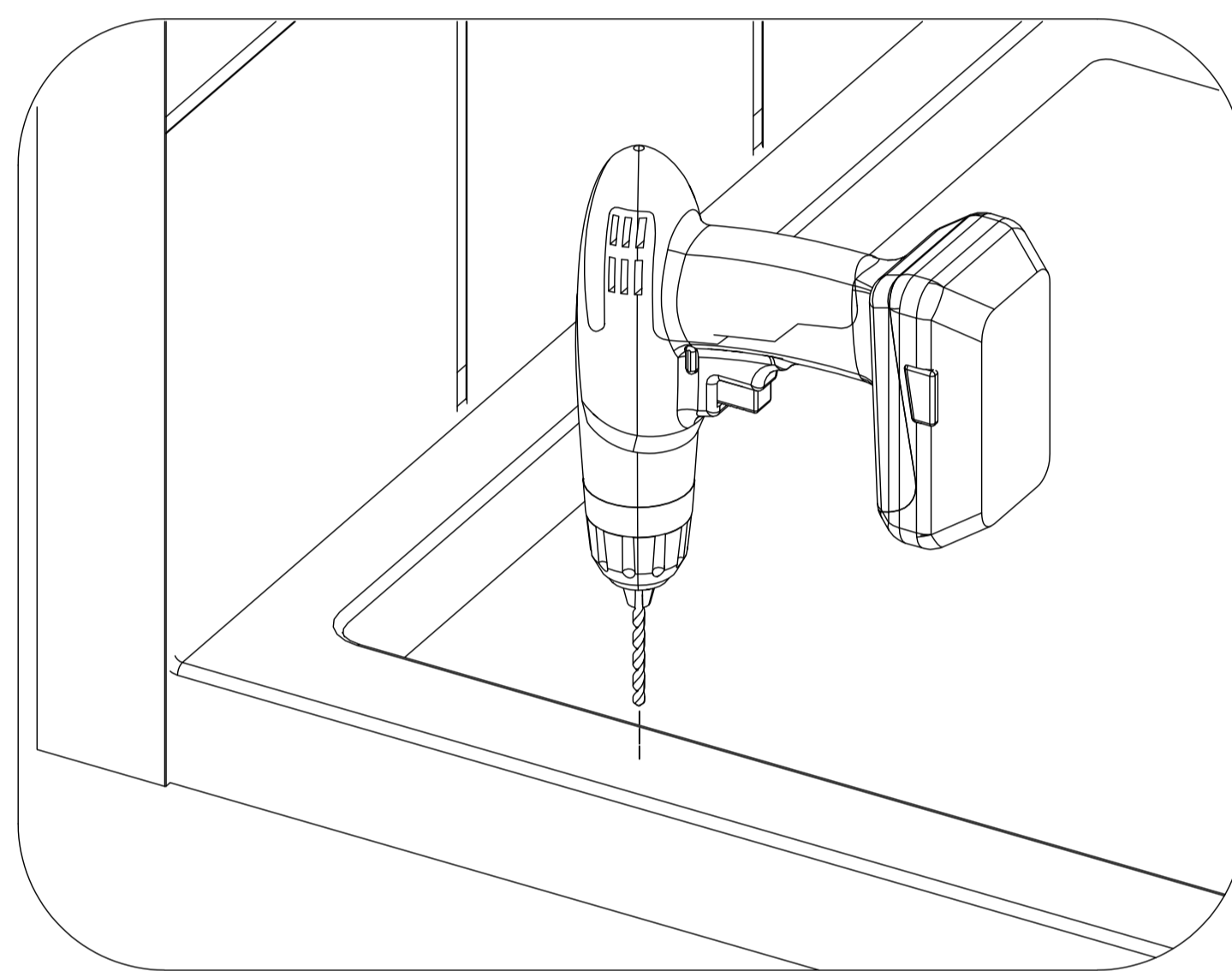
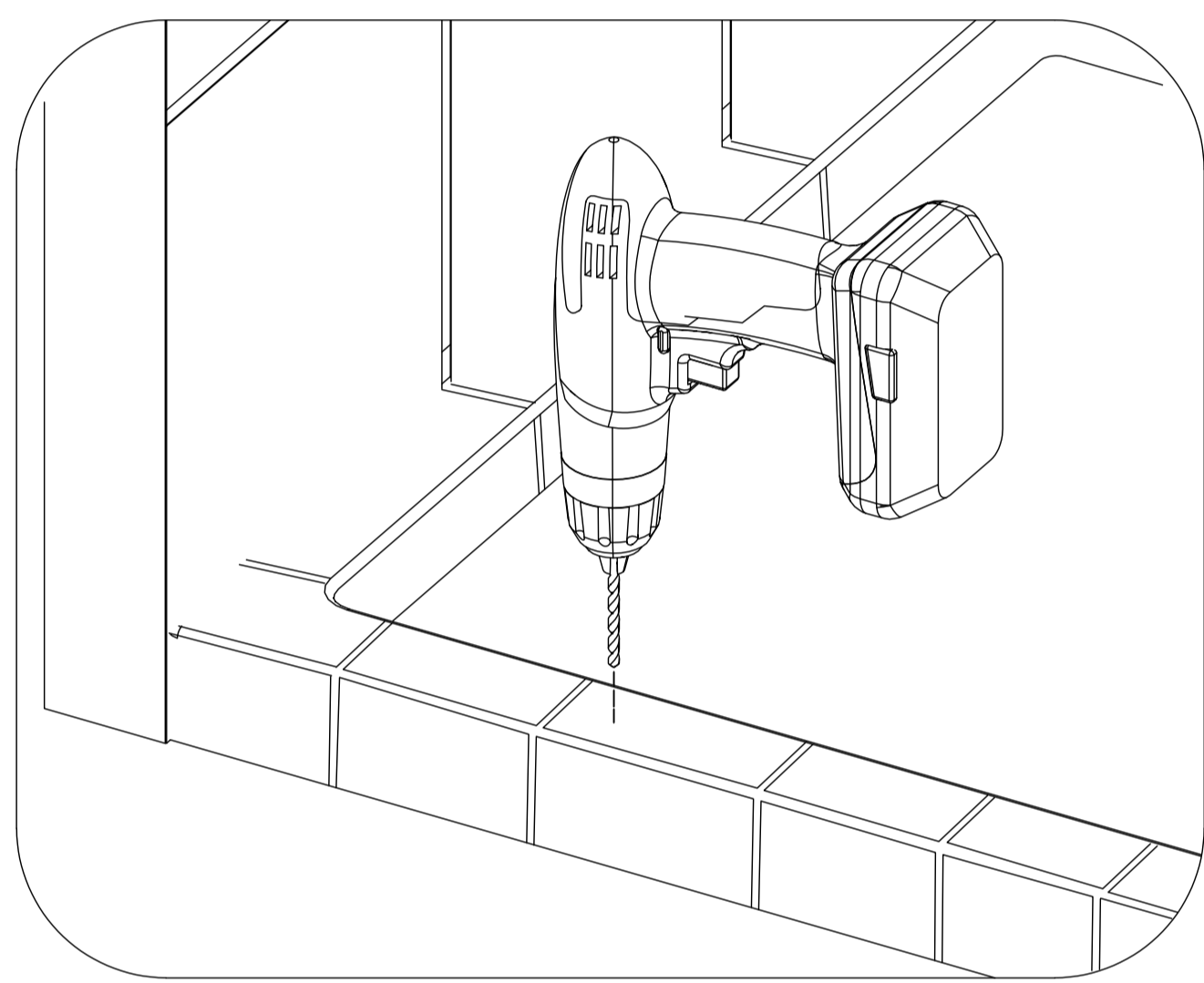
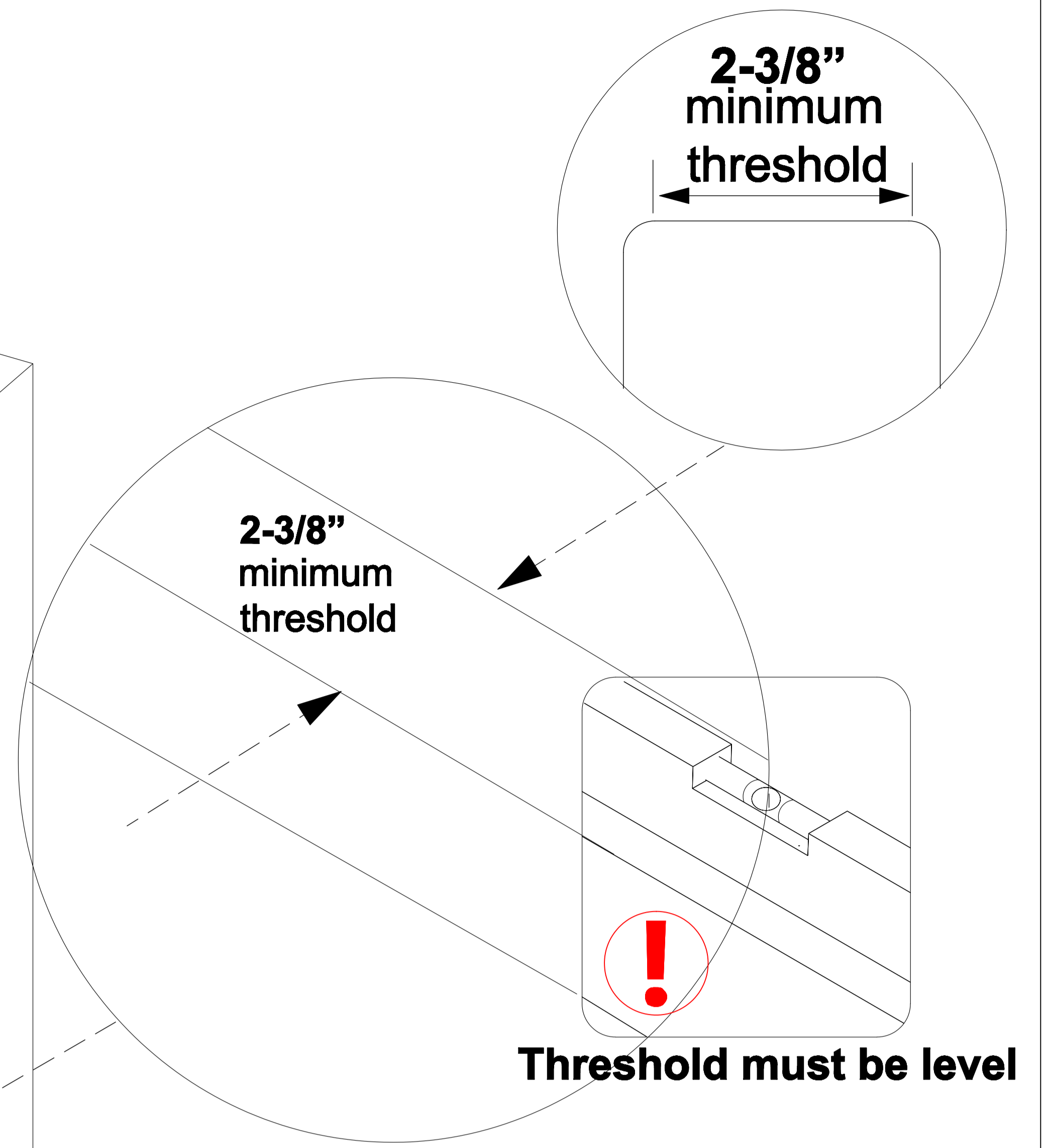
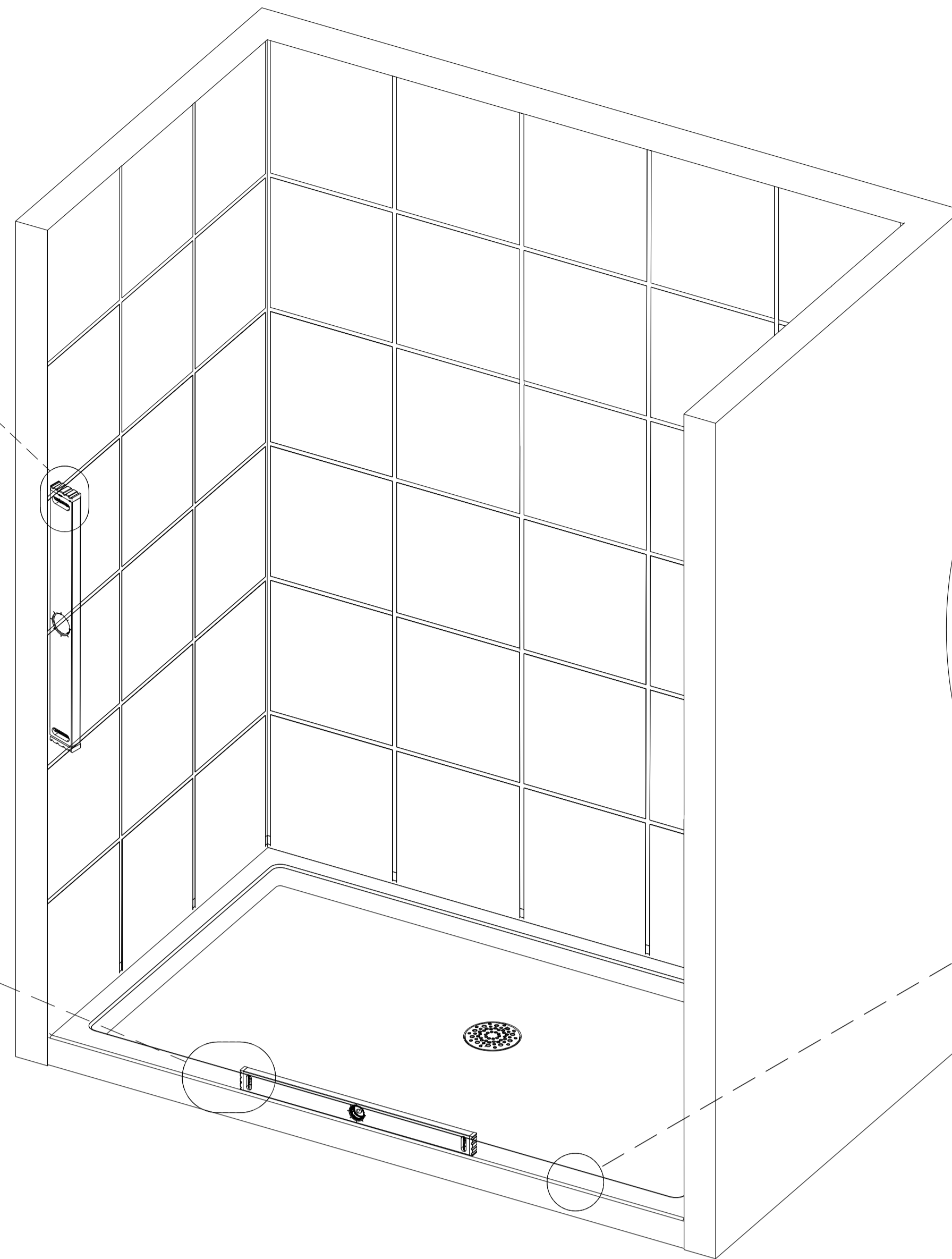
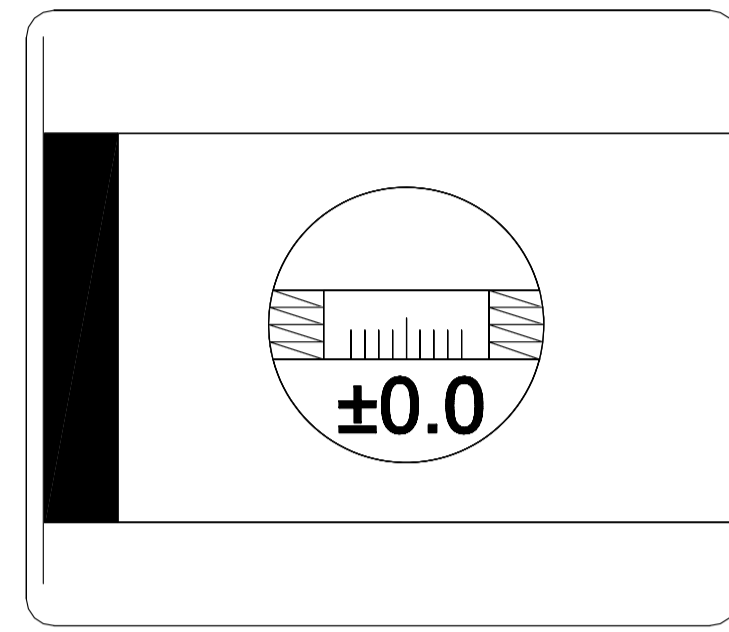


REQUIRED:

Verify threshold and walls with a level



Threshold must be level



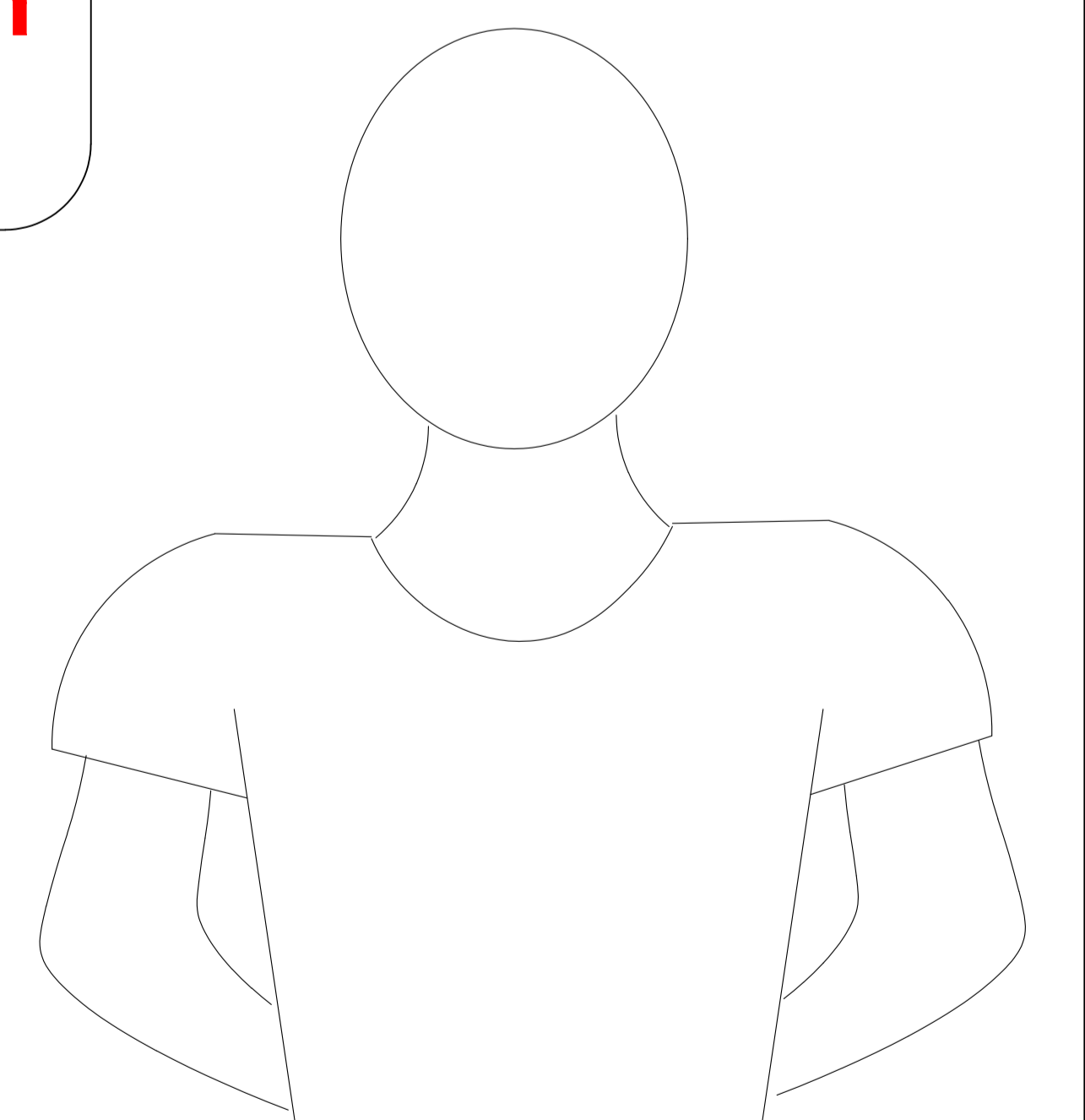
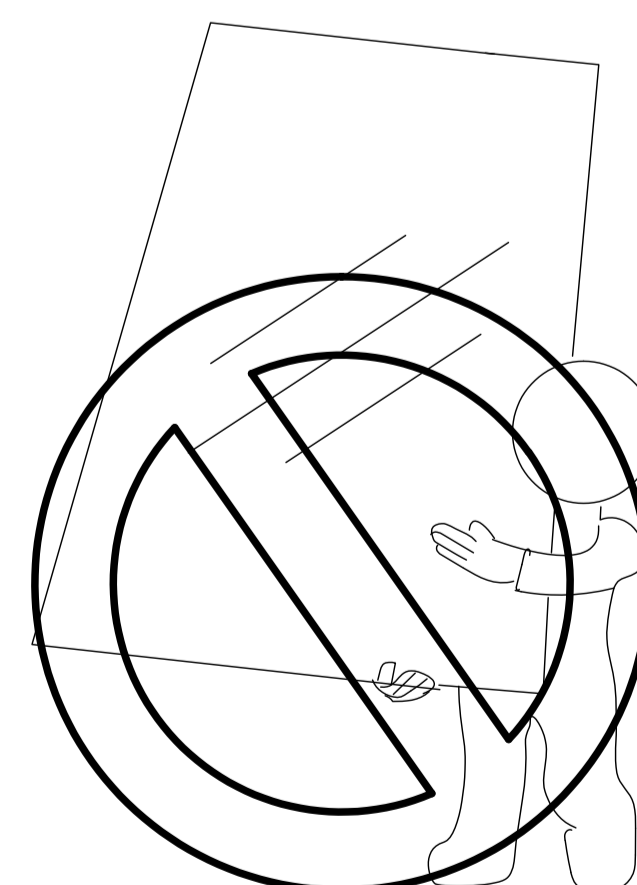
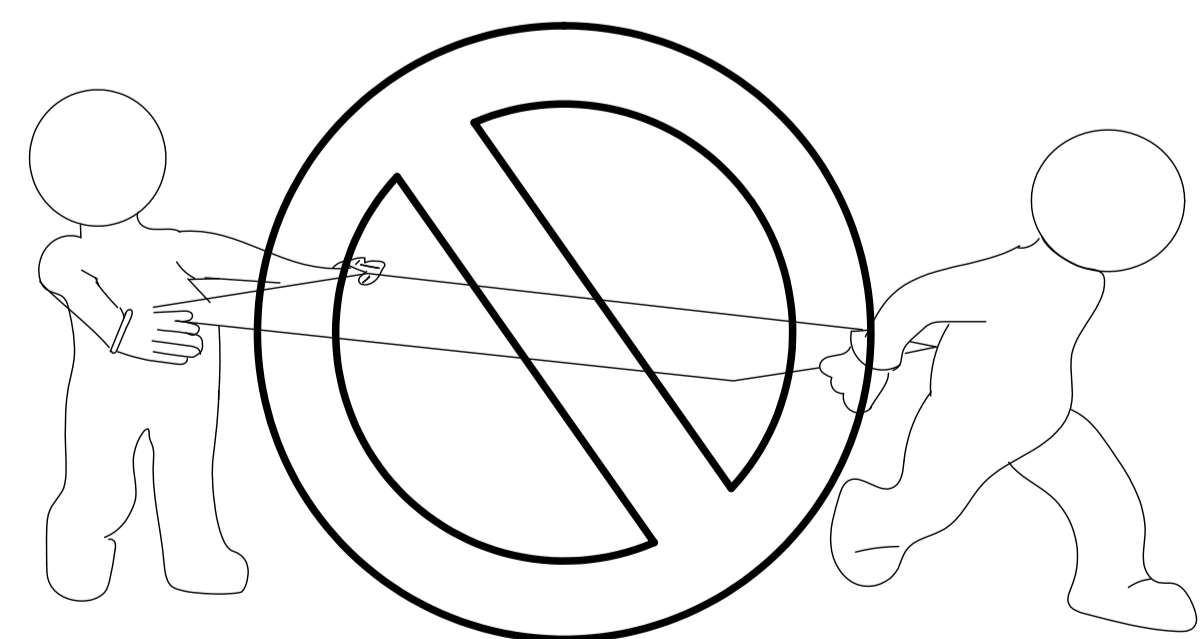
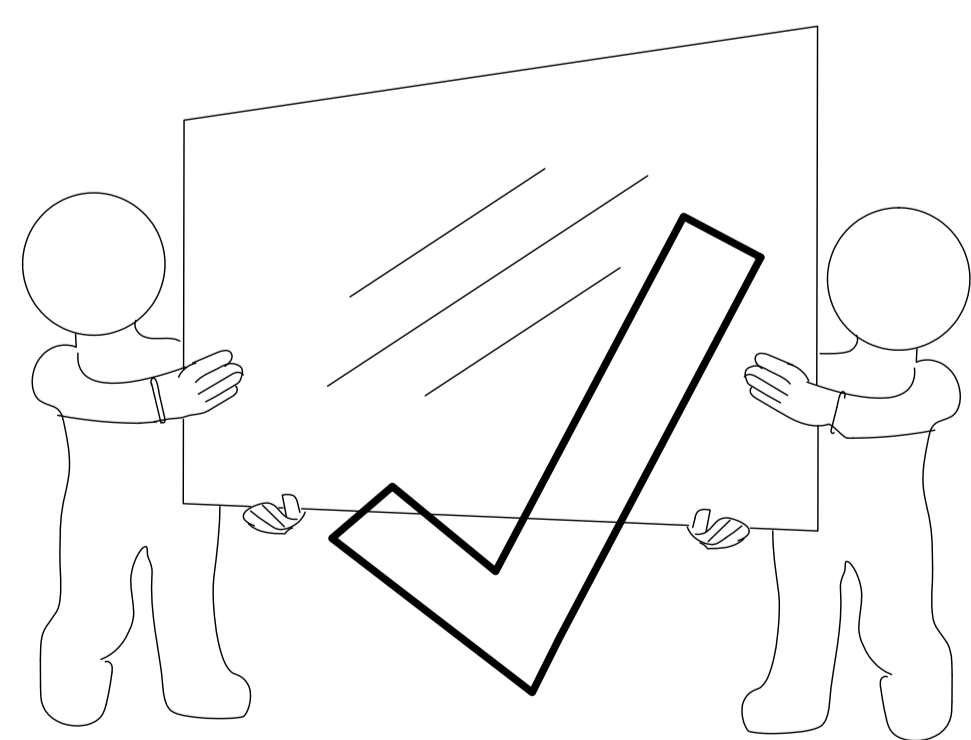
Thank you for purchasing this product. It can be installed by applying silicone sealant or drilling! Please check if the base bathtub or threshold can be drilled before installation!



Contact the manufacturer of the base, tub or threshold material with any questions regarding the drilling of holes into their product.



Before installation, please check if there is enough space on the edge of the bathtub to install the product. The minimum threshold requirement is 2-3/8" inch!

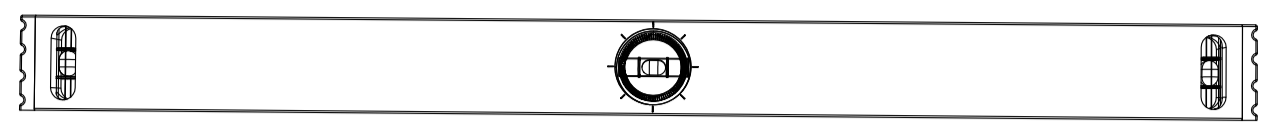


This door recommended professional installation. Two installers required.

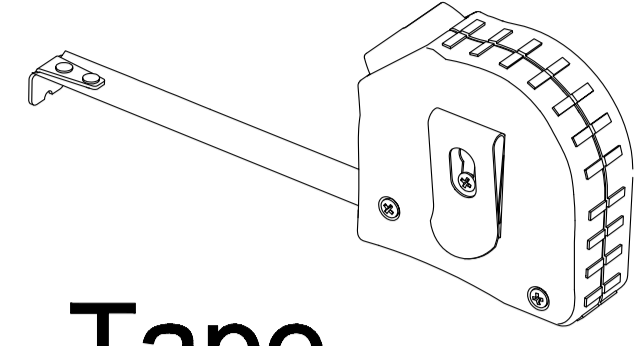


Professional Installation recommended.

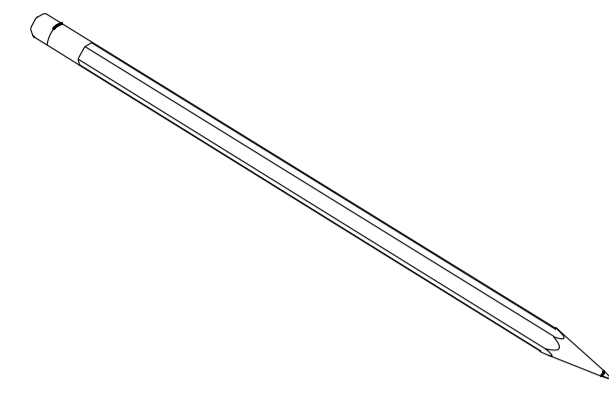
Tools



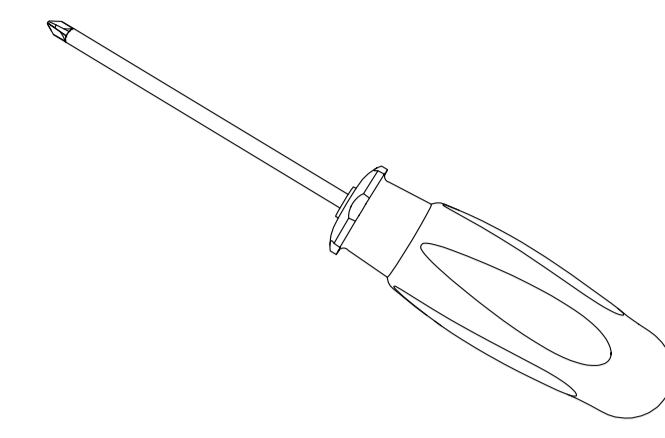
Level



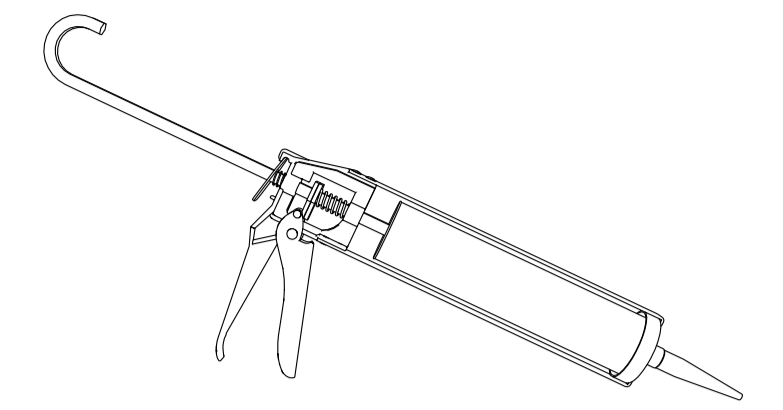
Tape Measure



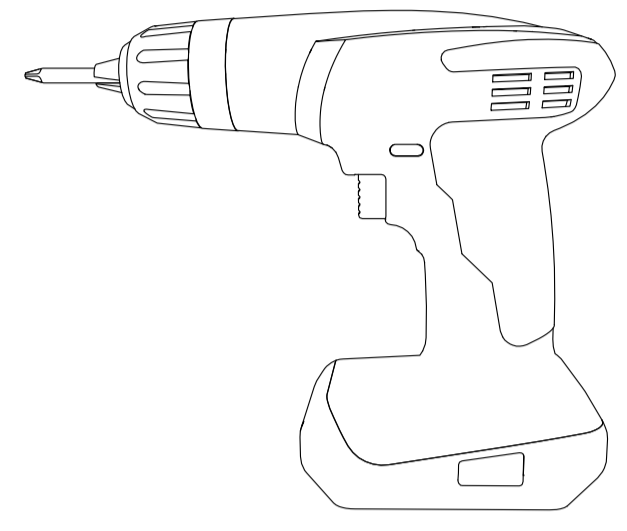
Pencil



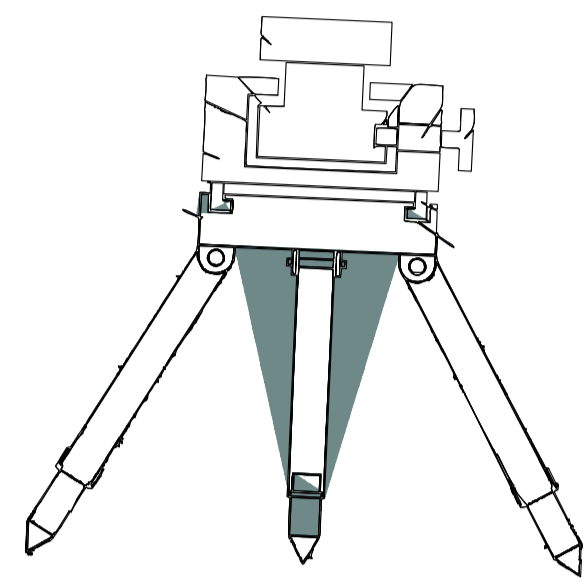
Phillips Screwdriver



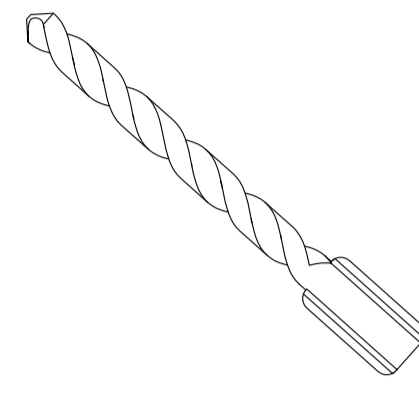
Silicone



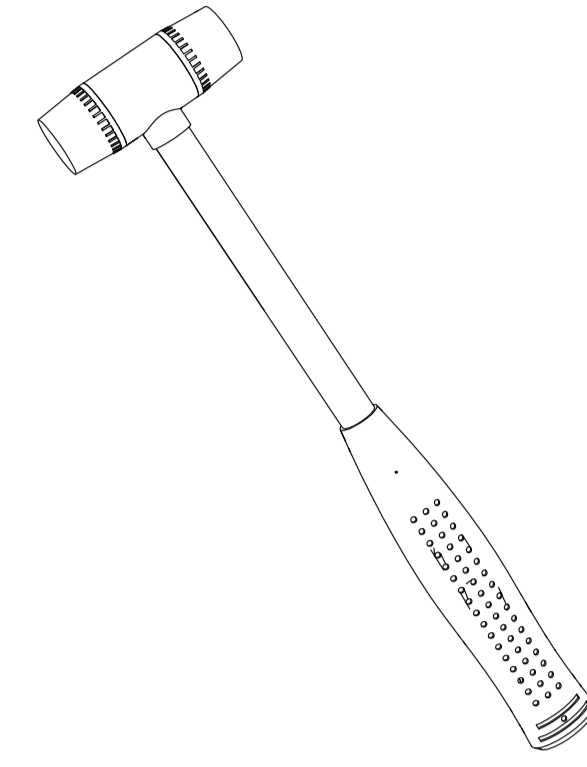
Power Drill



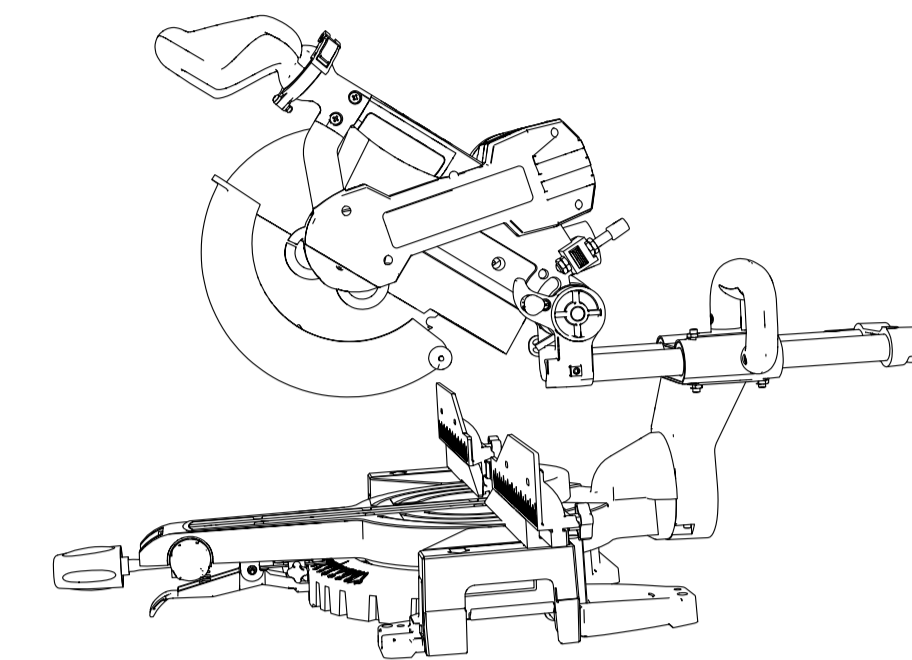
level gauge



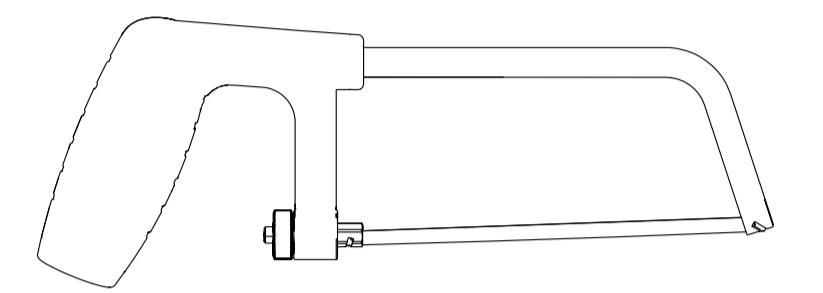
Drill Bit
Ø1/4"
(6mm)



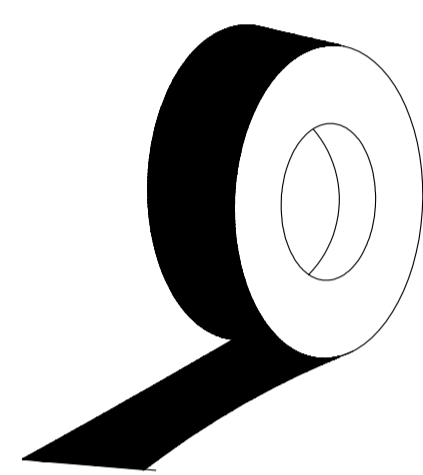
Soft Head Hammer



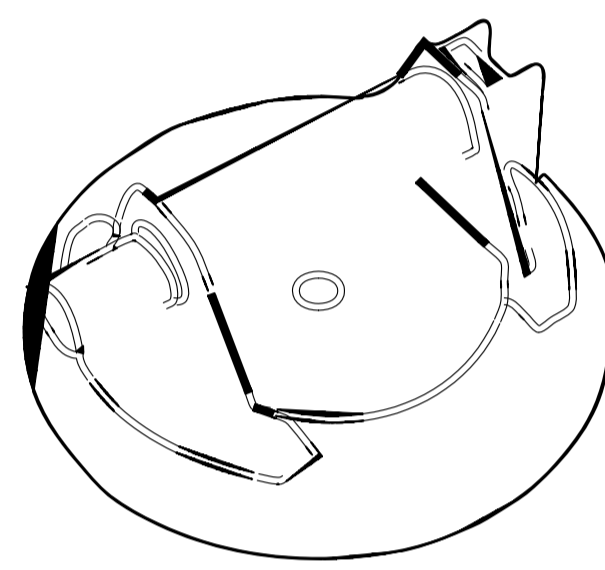
Mitre Saw



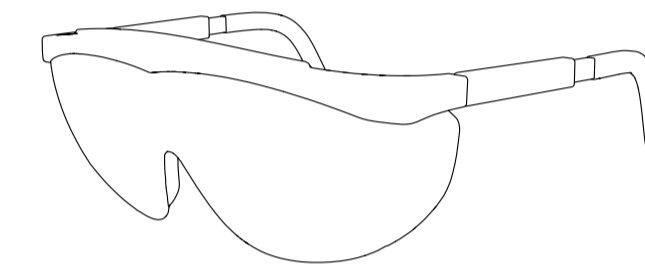
Hacksaw



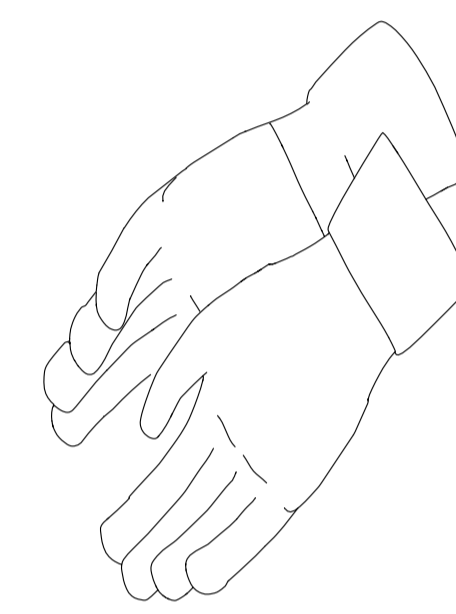
Painter's Tape



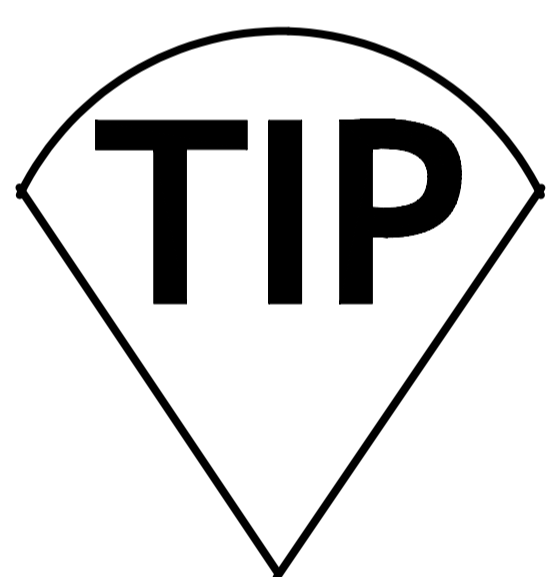
Professional-grade
Glass suction cup



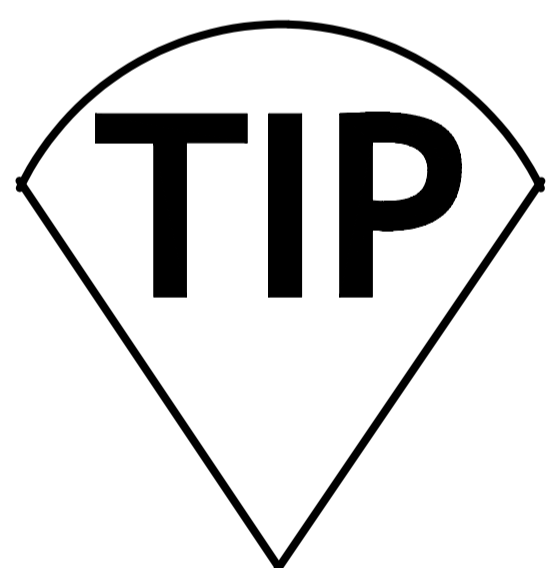
Safety Glasses



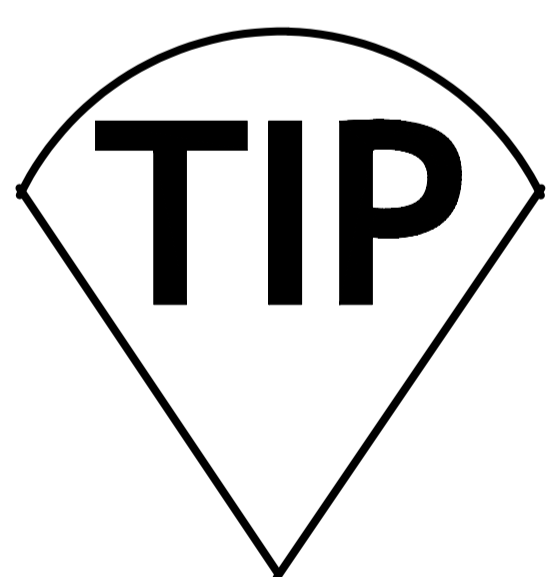
Work Gloves



Measure the finished opening before proceeding with the installation to be sure that the correct model size has been ordered.



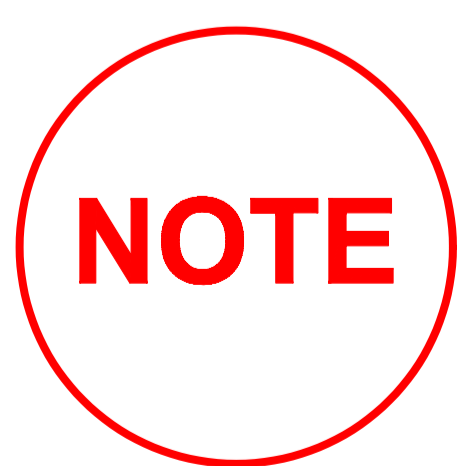
Prior to installation, cover the shower/tub drain with tape to prevent losing screws or small parts.



To prevent stripping the screw heads, set screw gun clutch to a low setting when installing screws and bolts.

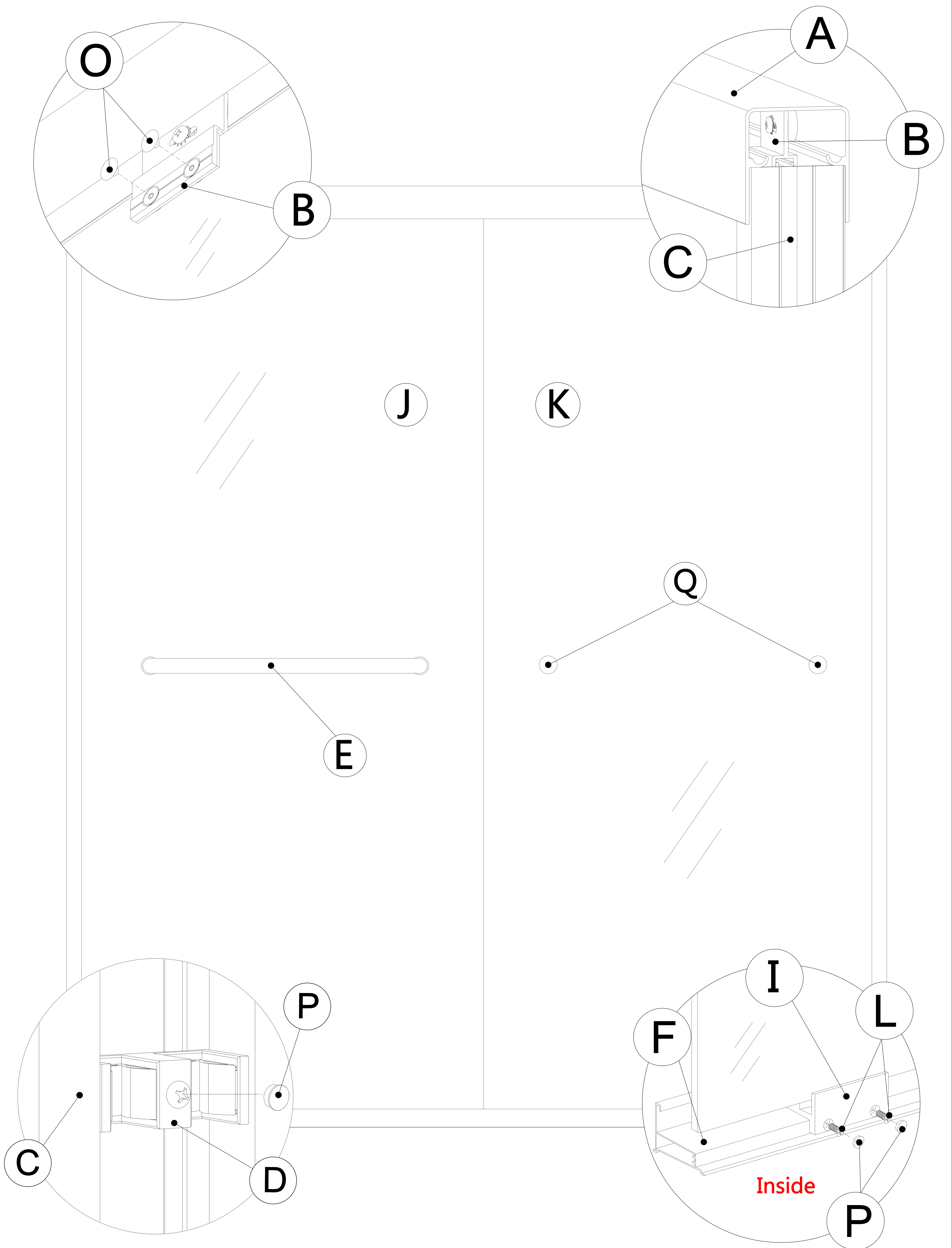


Unpack your unit carefully and inspect it. Lay it out and identify all parts using the **Detailed Diagram** on **page 4** and parts list in this manual as a reference. Before discarding the carton, check for small hardware bags that may have fallen to the bottom of the box. If any parts are damaged or missing, please contact us for replacement , The shipping boxes may contain extra parts not used in your model configuration.

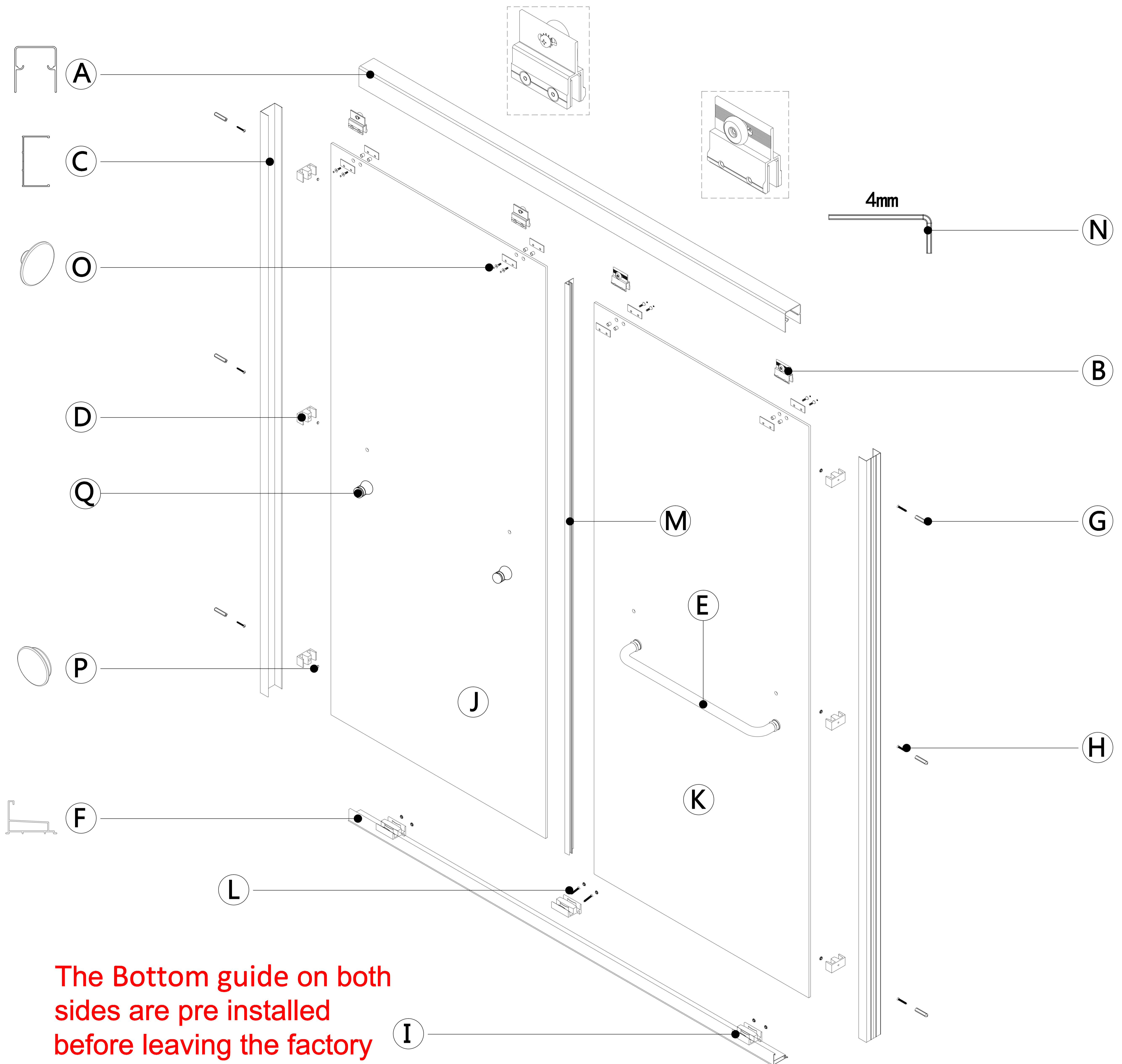


Retain these installation instructions for future reference.

Detailed Diagram of Shower Door Components



DOOR ASSEMBLY



The Bottom guide on both sides are pre installed before leaving the factory

CARTON PARTS IDENTIFICATION

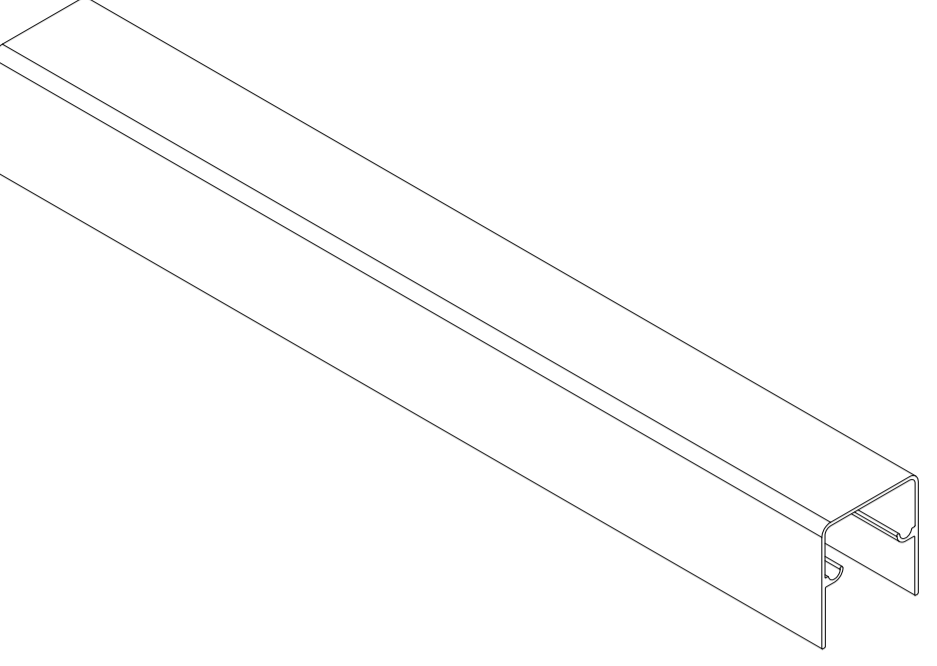
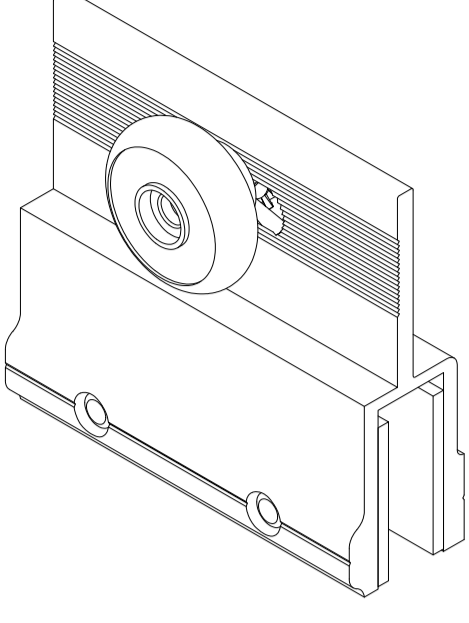
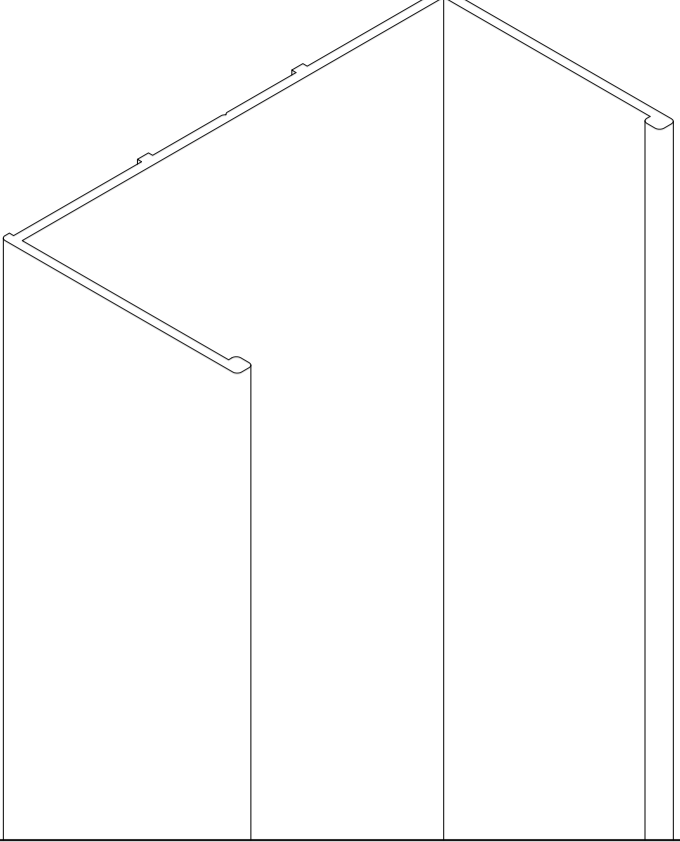
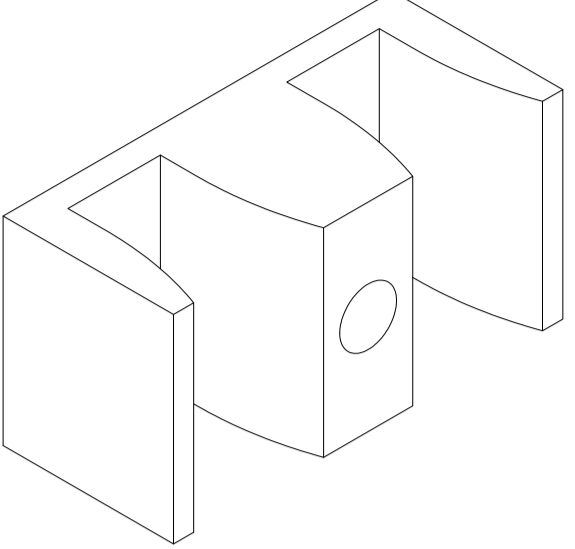
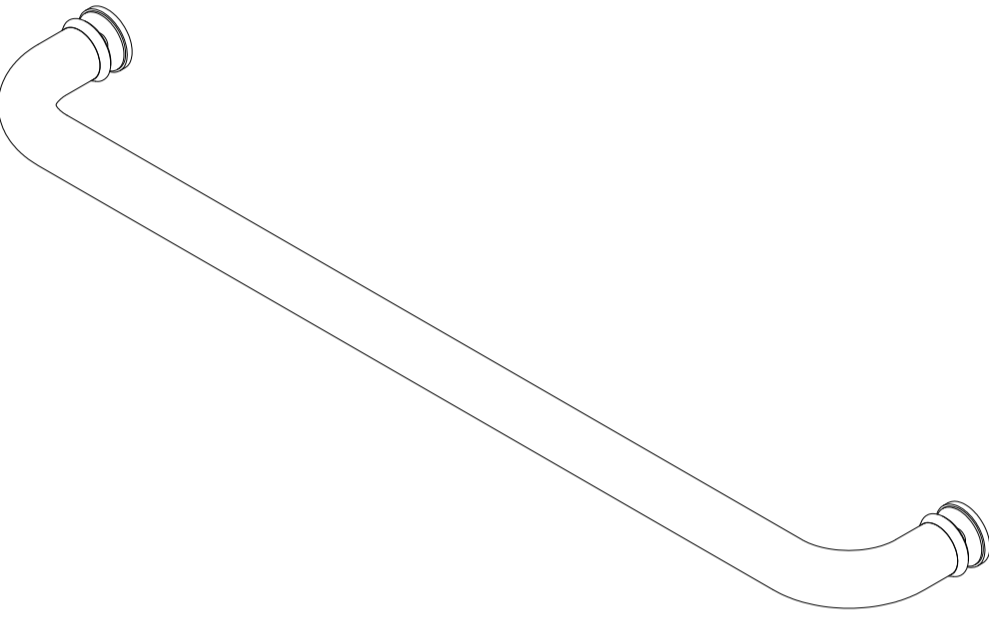
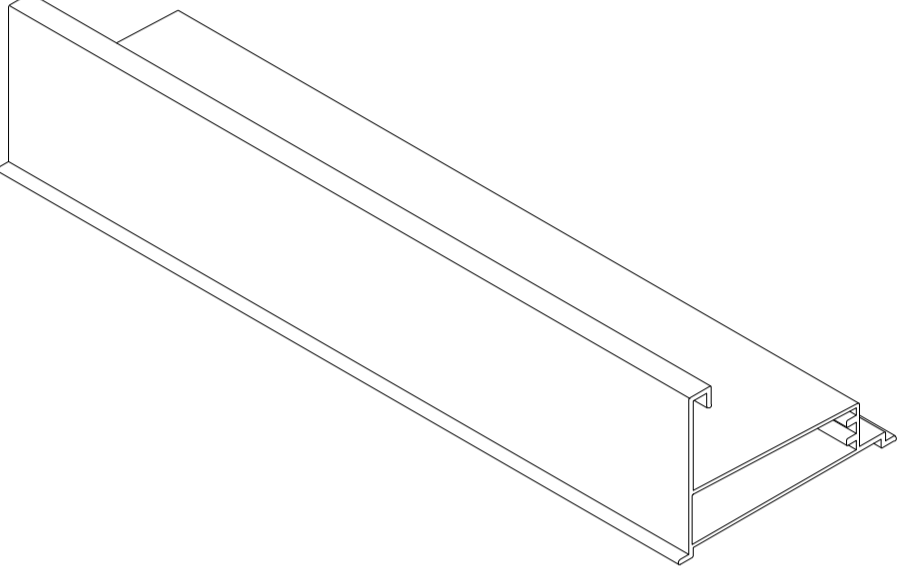
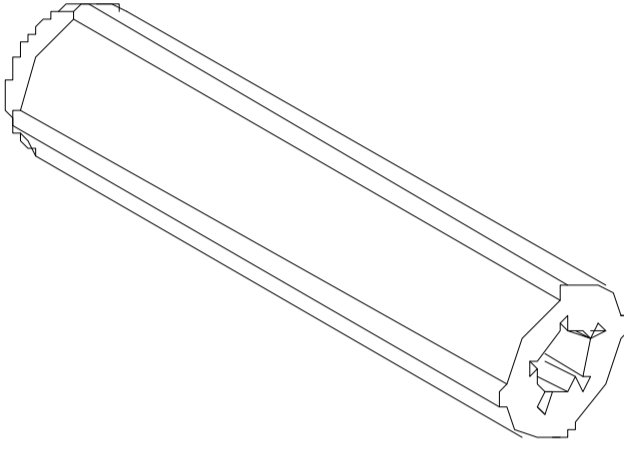
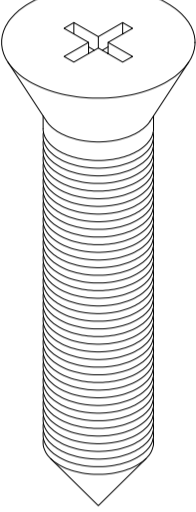
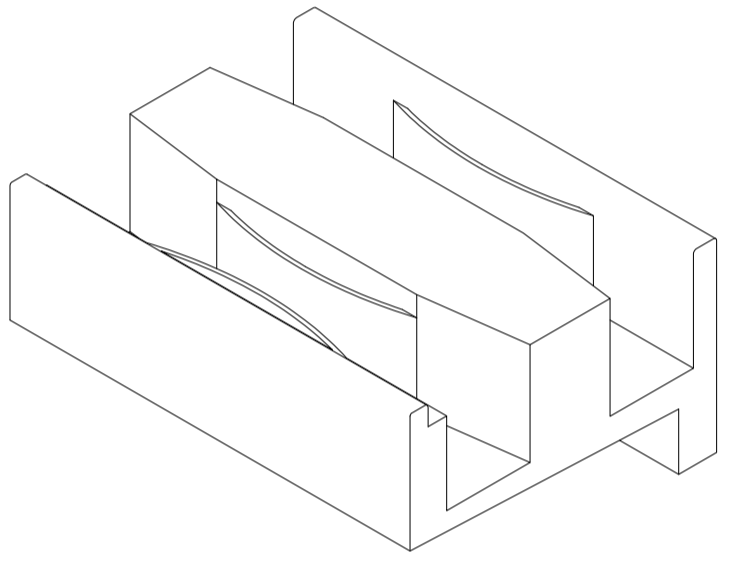
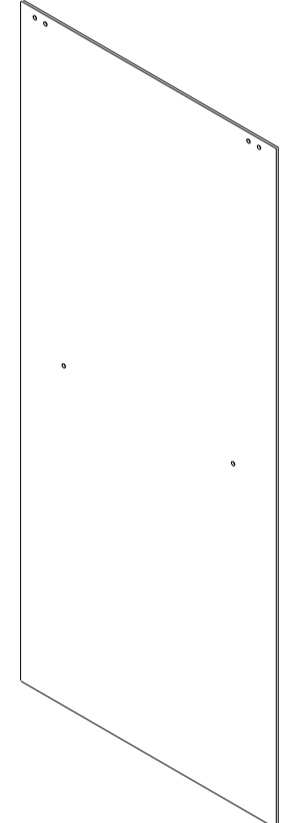
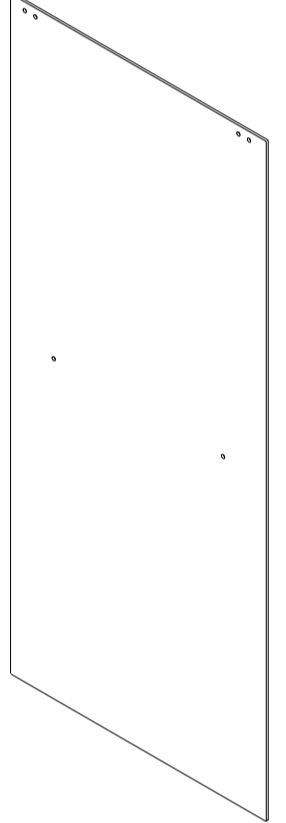
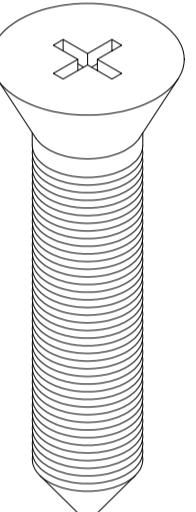
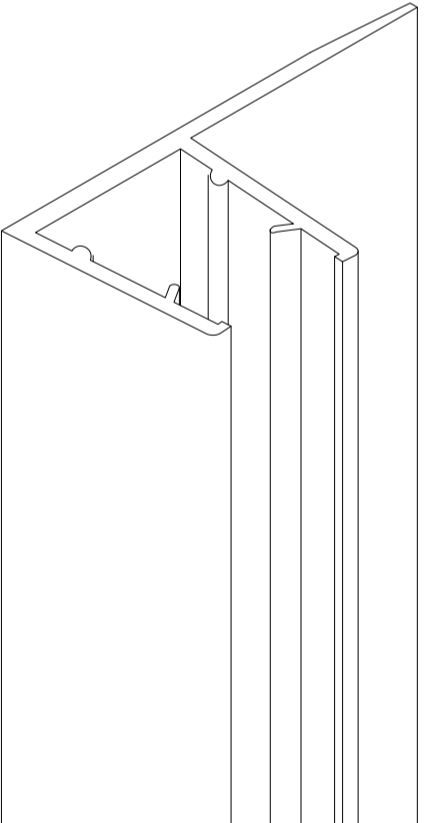
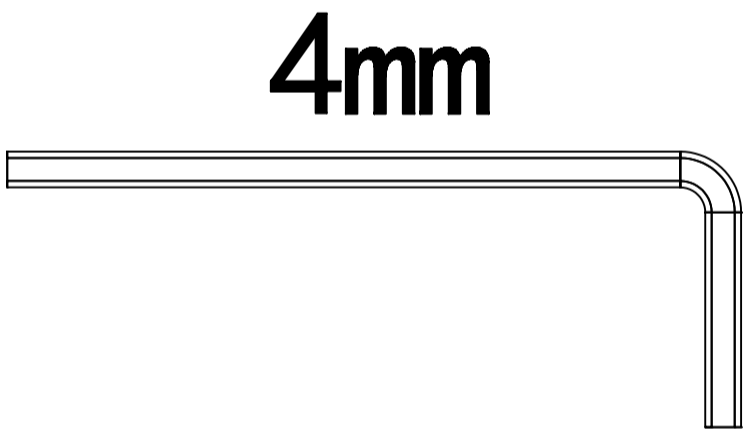
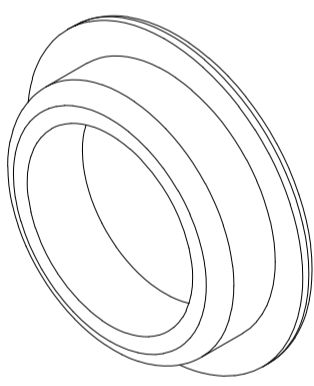
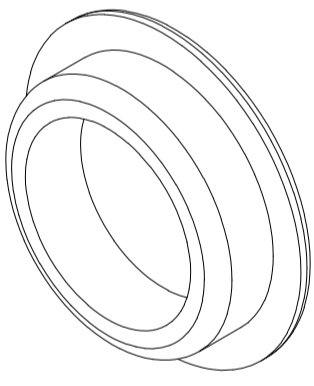
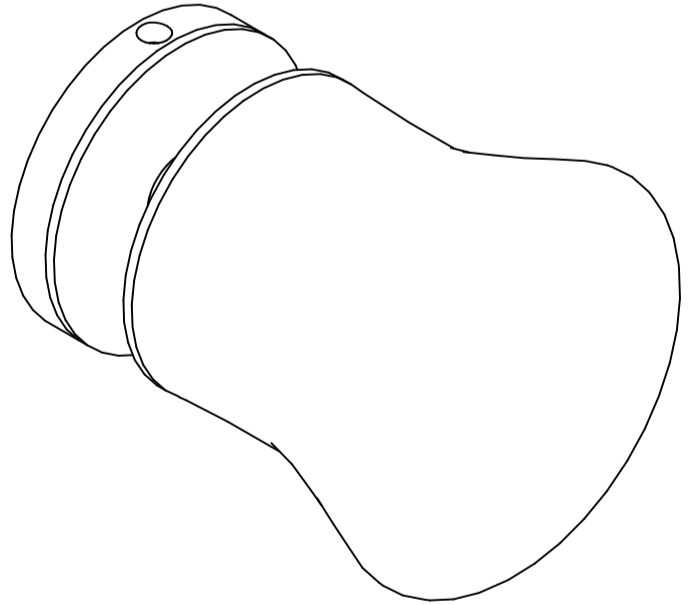
See following pages for detailed component diagrams

PART#	DESCRIPTION	QTY
A	Top Rail	1
B	Roller set	4
C	Wall Jamb	2
D	Bumper	6
E	Handle	1
F	Bottom Rail	1
G	Wall anchor $\varnothing 6$	7
H	Metric Screw ST4.0X35	7

PART#	DESCRIPTION	QTY
I	Bottom guide	3
J	DOOR PANEL	1
K	DOOR PANEL	1
L	Metric Screw ST4.0X12	3
M	Water-Retaining Gasket	1
N	Allen Key	1
O	roller set hole plugs	8
P	bottom guide hole plugs	12
Q	knob	2

PART LIST

Check all parts according to the list before assembly

A 	B 	C 	D 
Top Rail (1pc)	Roller set (4pcs)	Wall Jamb (2pcs)	Bumper (6pcs)
E 	F 	G 	H 
Handle (1pc)	Bottom Rail (1pc)	Wall anchor Ø6 (7pcs)	Metric Screw ST4.0X35 (7pcs)
I 	J 	K 	L 
Bottom guide (3pcs)	DOOR PANEL (1pc)	DOOR PANEL (1pc)	Metric Screw ST4.0X12 (3pcs)
M 	N 	O 	P 
Water-Retaining Gasket (1pc)	Allen Key(1pc)	Roller set Hole Plugs(8Pcs)	Bottom guide Hole Plugs(12pcs)
Q 			
Knob (2pcs)			

* Utilize Safety Glasses and Safety Gloves when constructing this shower door

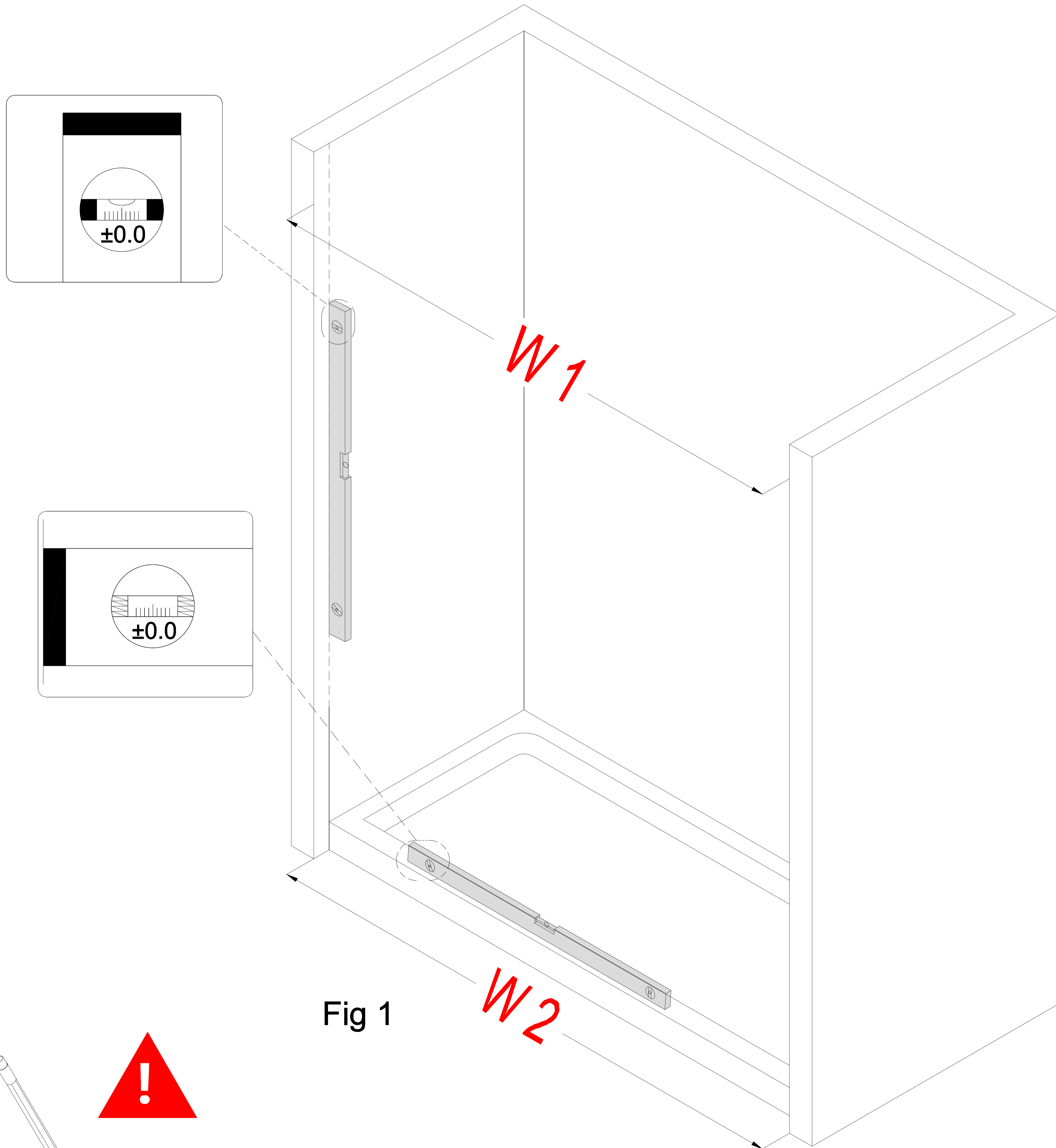
* We recommend that 2 people work together to complete this installation

STEP 1

Measure the finished opening width.

NOTE

1. Measure the finished opening width at the bottom and at the model height.
- Use these dimensions as "W1" (top) and "W2" (bottom) in step #2.
2. Also check the threshold for level and the walls for plumb. (Fig 1)



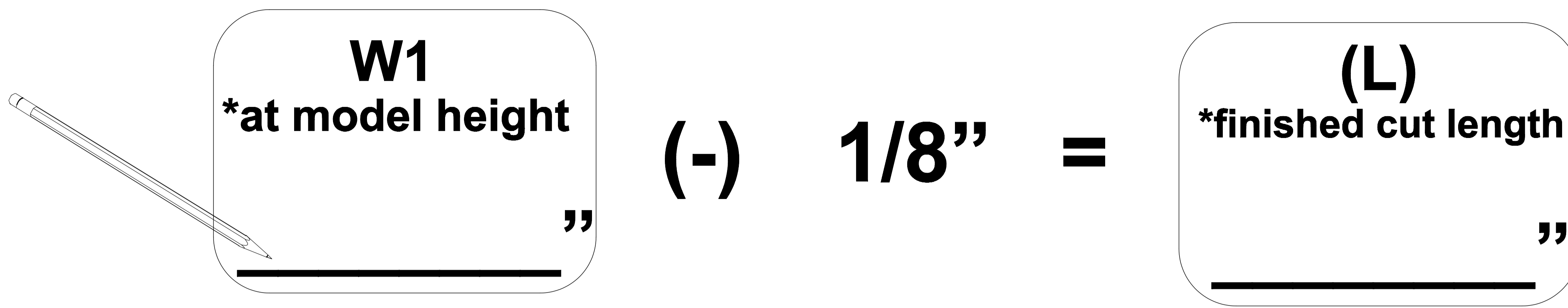
Finished opening top (W1)

Finished opening bottom (W2)

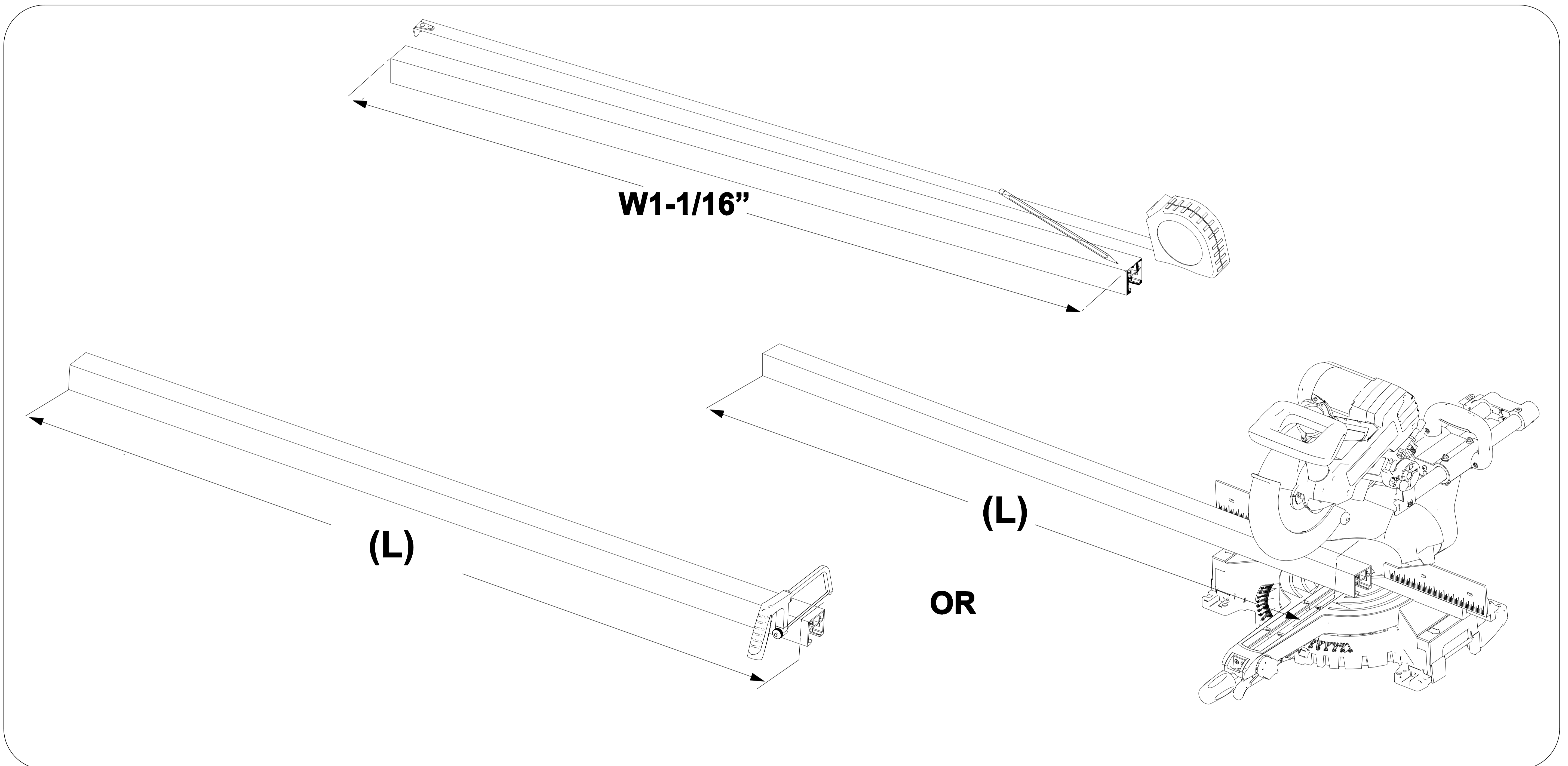
STEP 2-1

Cut The Upper Top Rail (A)

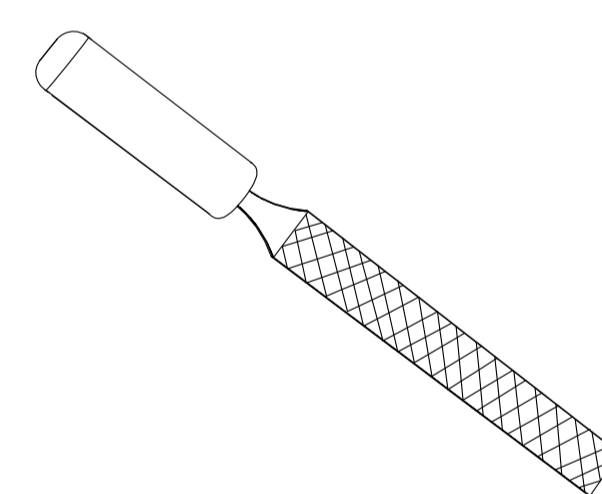
(If W1 meets the default width of the product, there is no need to cut it)



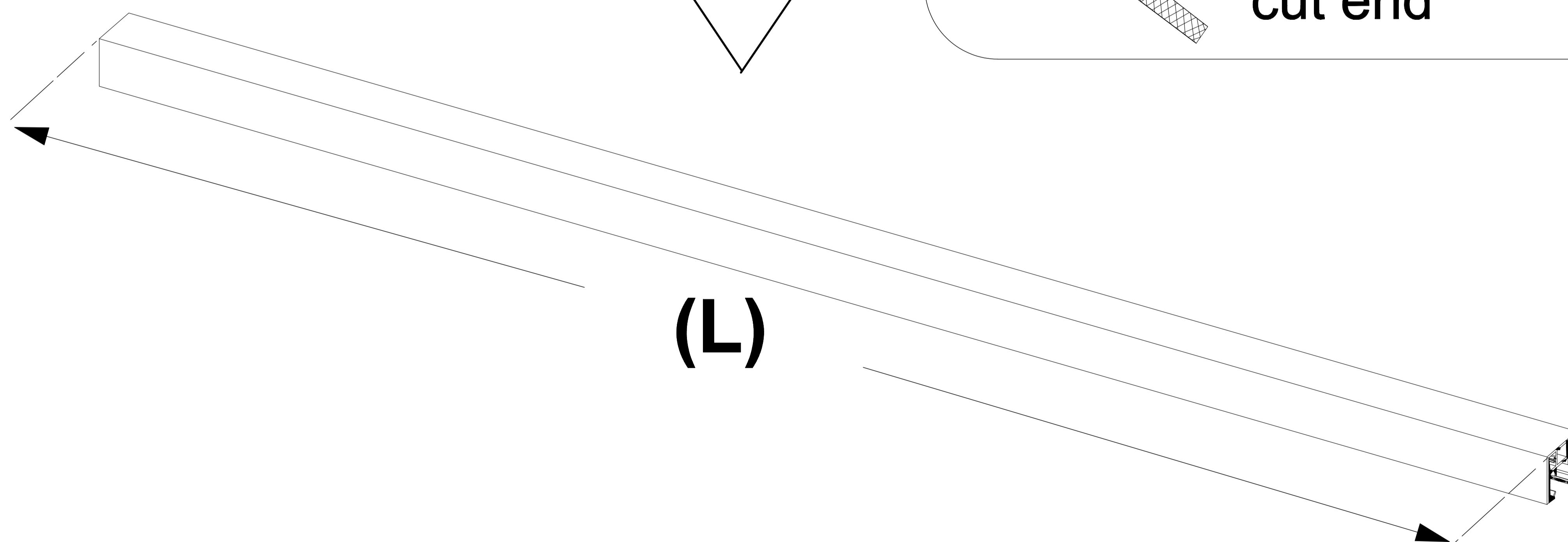
! Cut The Upper Top Rail (A) to: "(L)"



TIP



Use a metal file to deburr the cut end



NOTE

The Top Rail (A) fits wall-to-wall and can be cut from either end.

STEP 2-2

Cut The Bottom Rail (F)

(If W2 meets the default width of the product, there is no need to cut it)

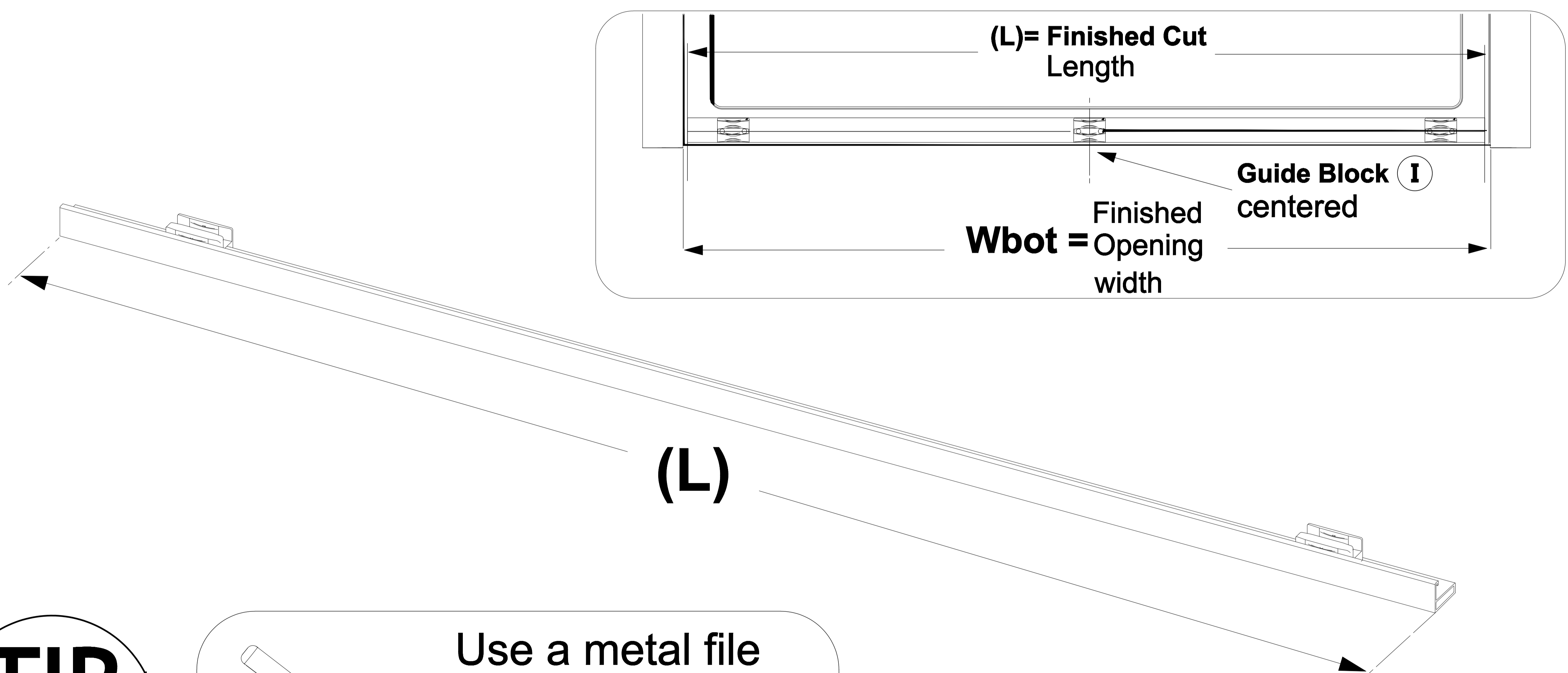
$$\begin{matrix} \text{W2} \\ \text{*at model height} \end{matrix} \quad (-) \quad 5/16'' \quad = \quad \begin{matrix} \text{(L)} \\ \text{*finished cut length} \end{matrix}$$

! Cut The Bottom Rail (F) to: "(L)"

! In order to keep the center guide holes centered, the **Bottom Rail (F)** must be cut equally from both ends. Up to 5 inch can be cut, And up to 2.5 inch can be cut on each side.

W2-1/16''
equally from
both ends

(L) OR (L)



TIP

Use a metal file to deburr the cut end

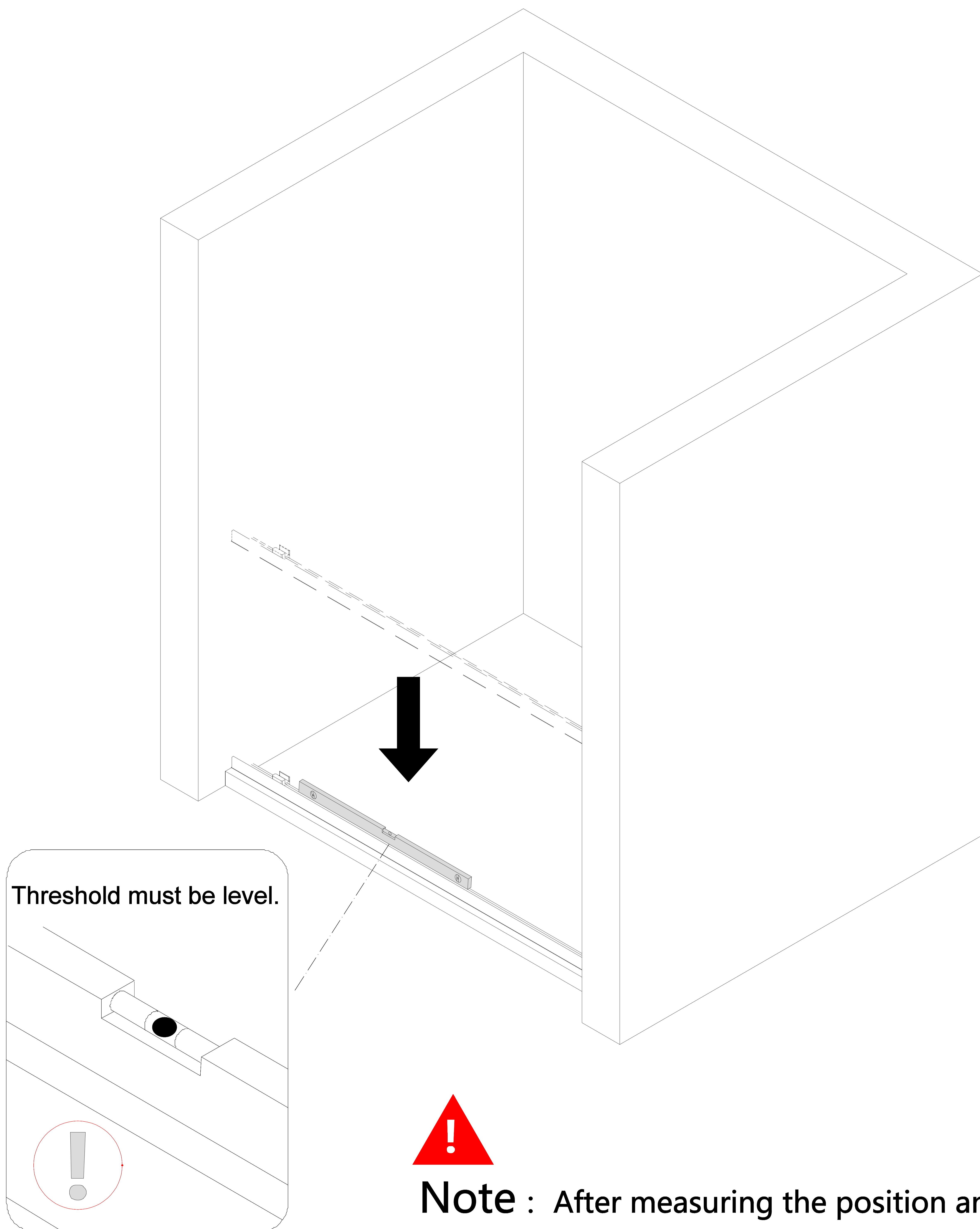
The bottom guide (I) on both sides are pre installed before leaving the factory

NOTE

To keep the **Bottom guide (I)** holes centered, it is necessary to cut the **Bottom Rail (F)**

STEP 3

Install Bottom Rail (F). Threshold must be level.



Note : After measuring the position and leveling of the threshold. Use wall profile to clamp the threshold, Then perform drilling and installation of the wall profile.

STEP 4

Install Wall Jamb (C) , Threshold must be level as Fig.a

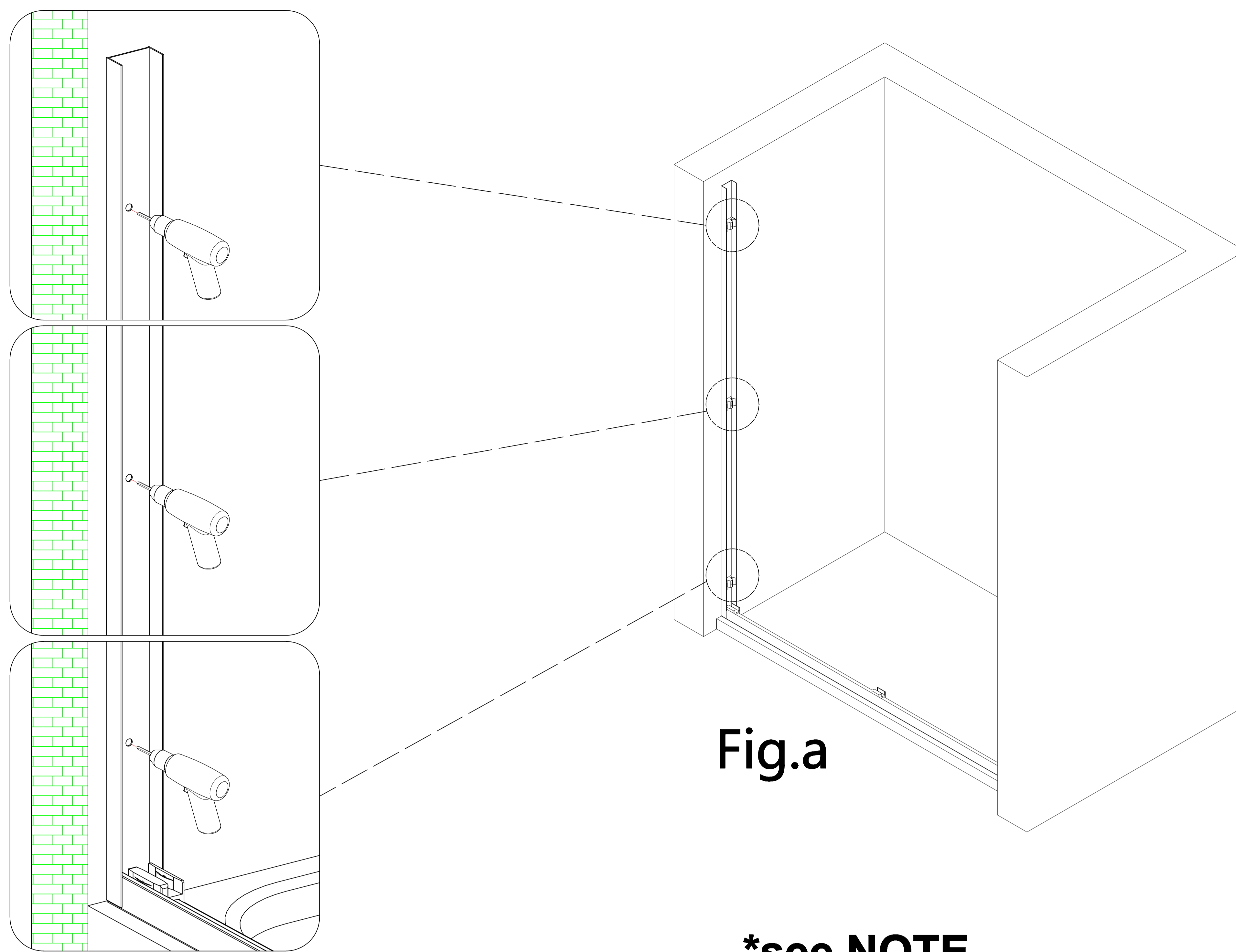
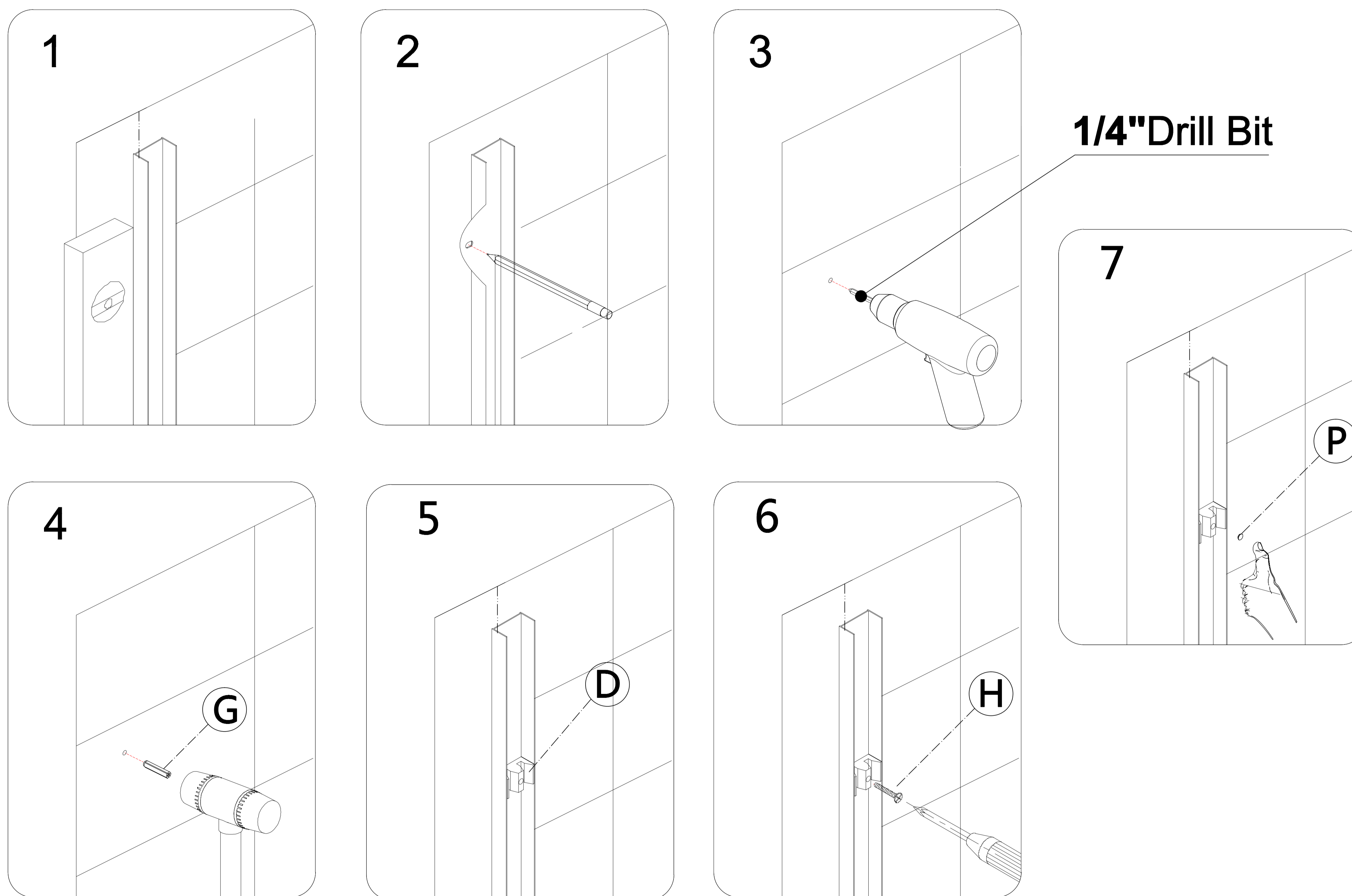


Fig.a

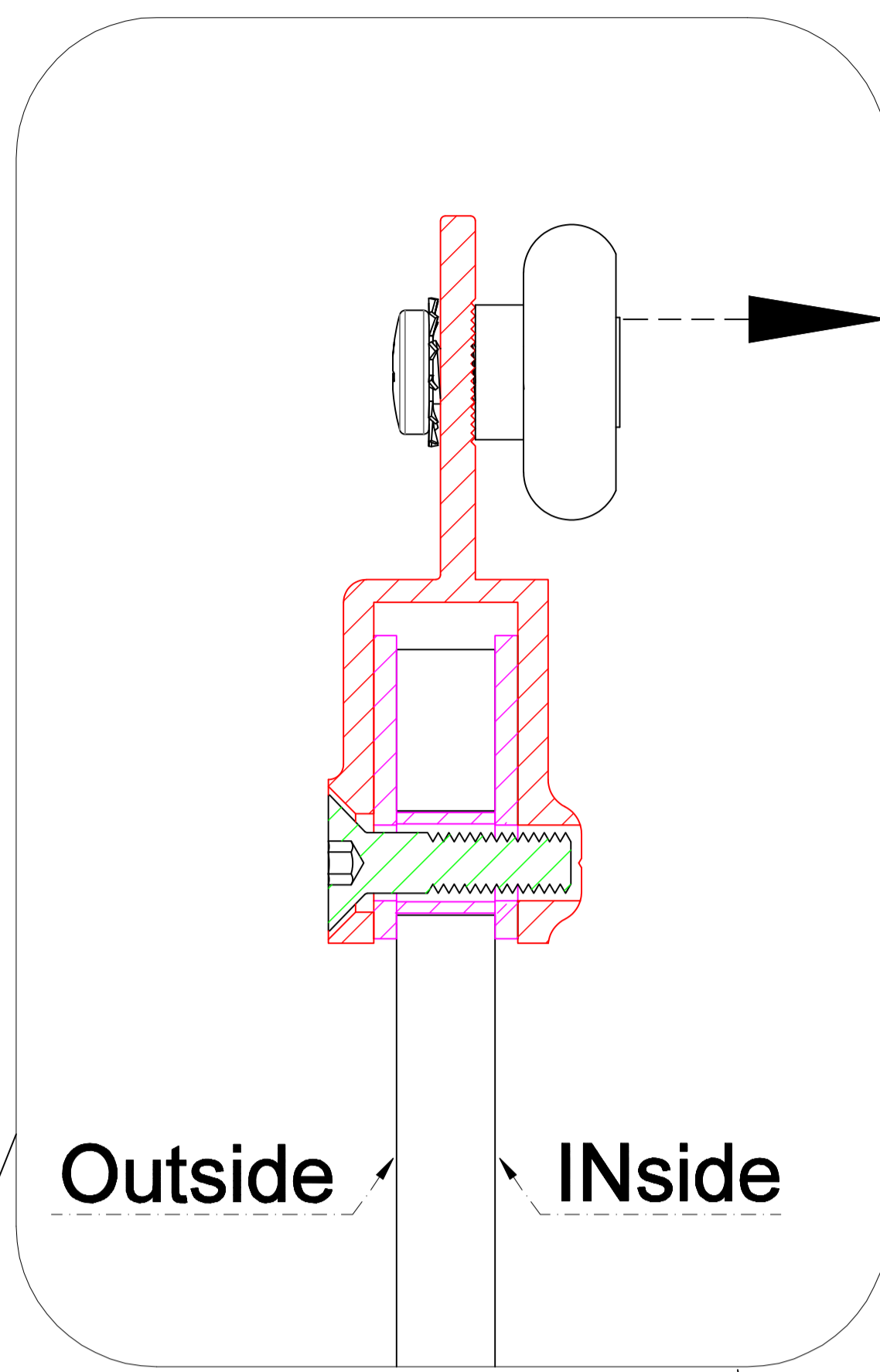
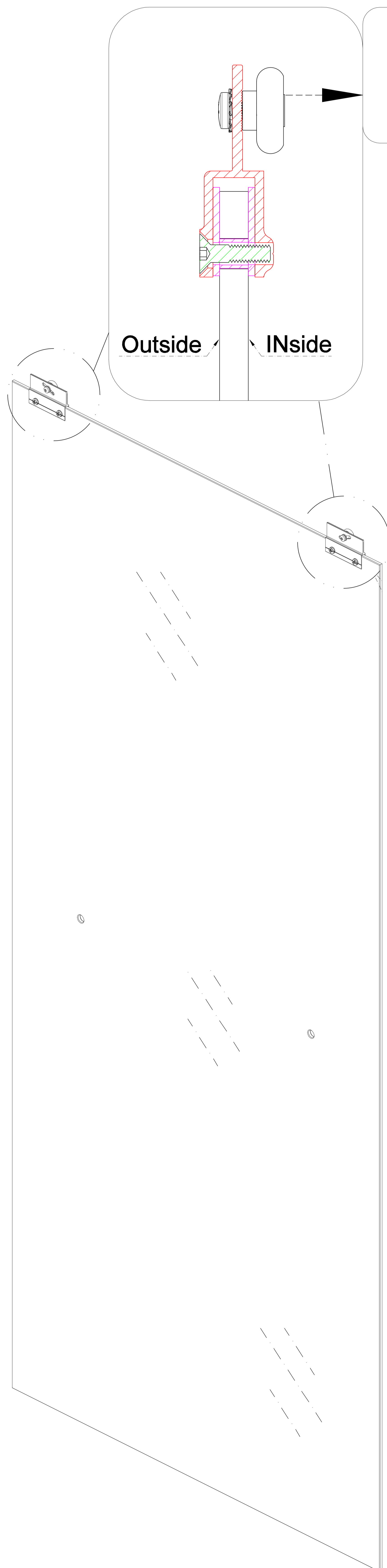
***see NOTE**



1. Make sure each Wall Jamb (C) is plumb.
2. Mark the holes for drilling on the wall through the predrilled holes in the Wall Jamb (C).
3. Drill the holes , Then hammer the wall anchor $\varnothing 6$ (G) into the hole.
4. Clamp the Bumper (D) into the wall Jamb (C) and align it with the wall hole .
5. Attach the Wall Jamb (C) to the wall using the Screws ST4.0*35 .
6. Install the bottom guide hole plugs (P) .

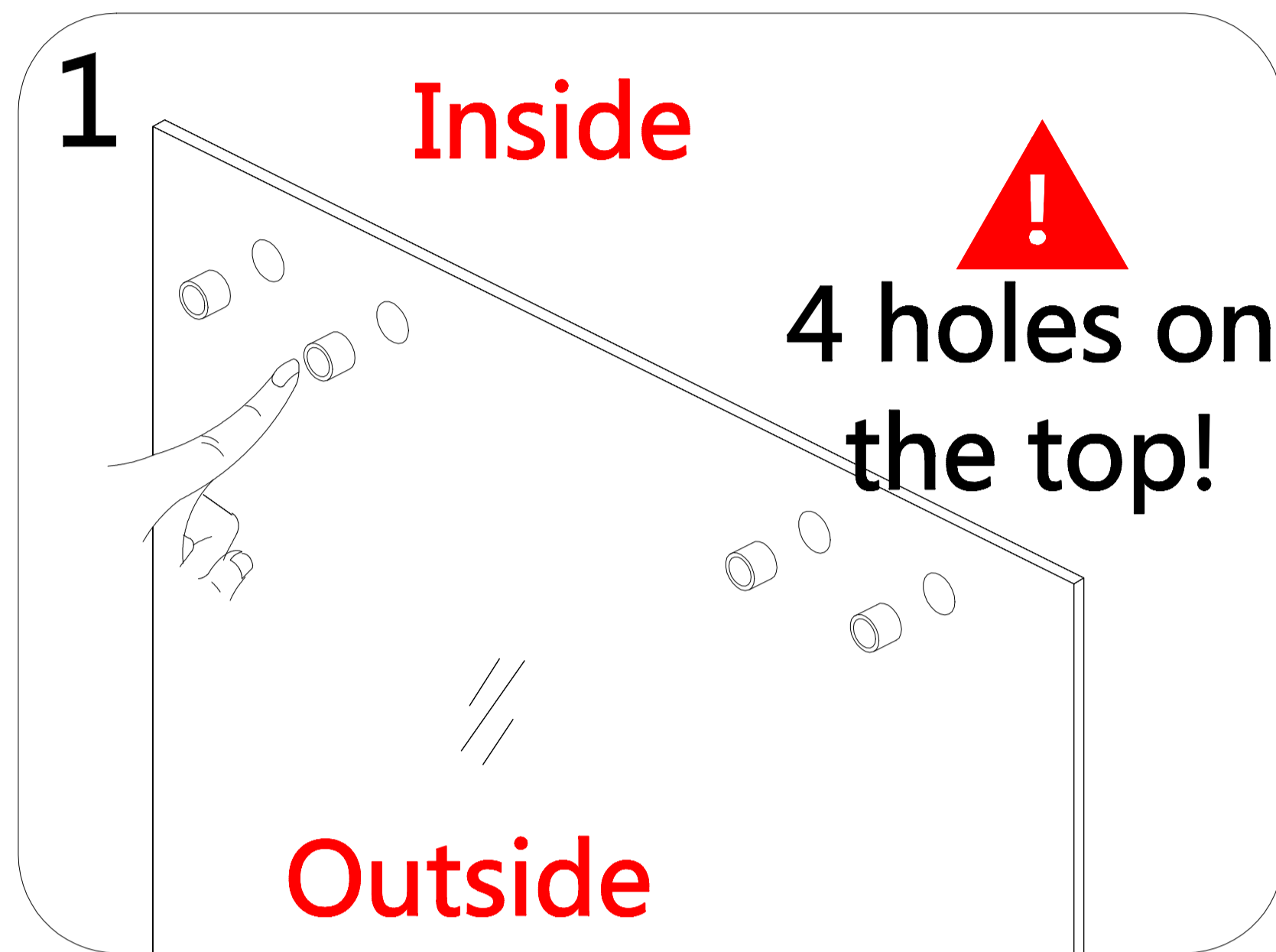
STEP 5

The Roller set (B) installation on the Door Panel (J,K)

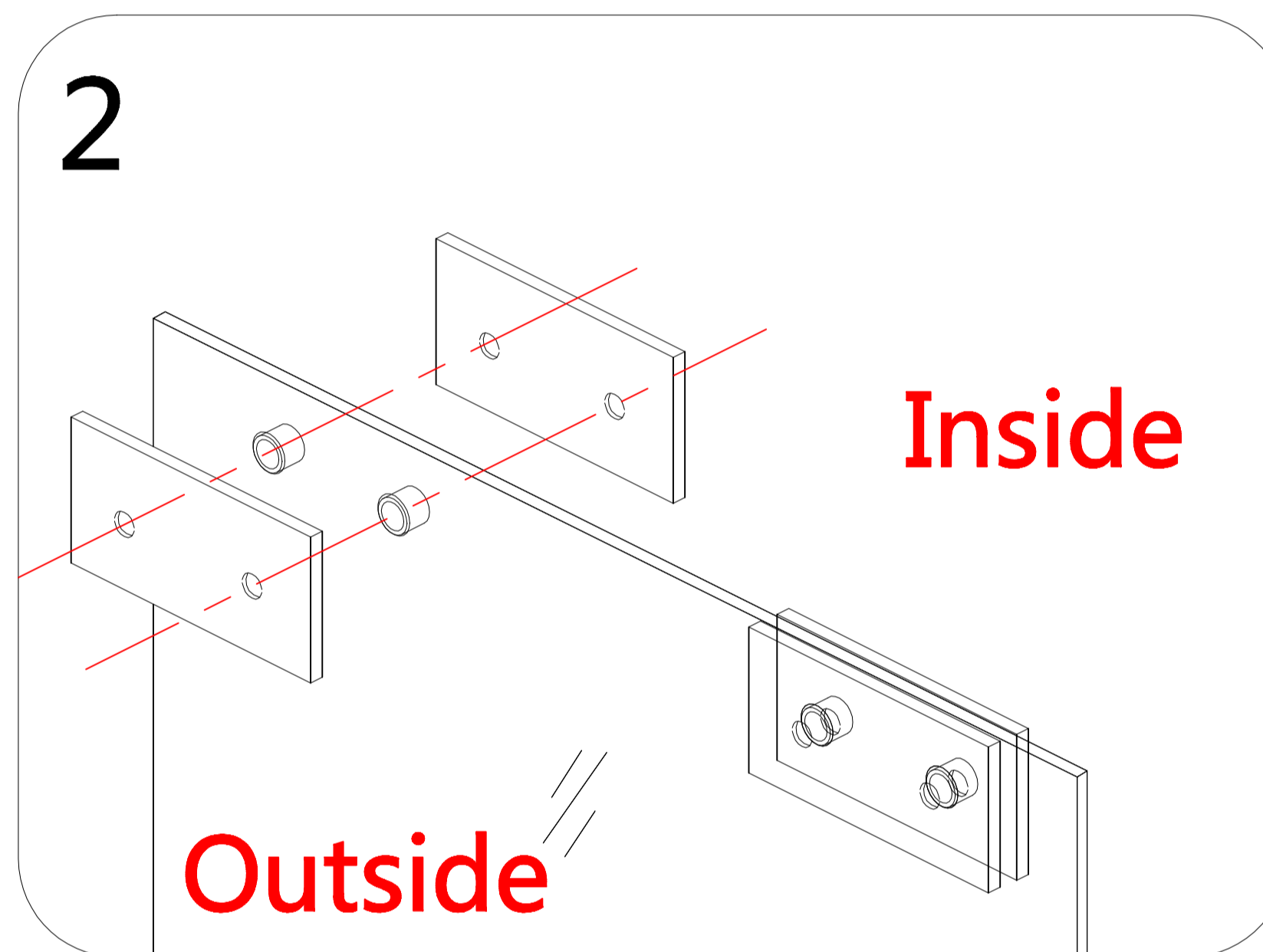


The Roller faces inside.

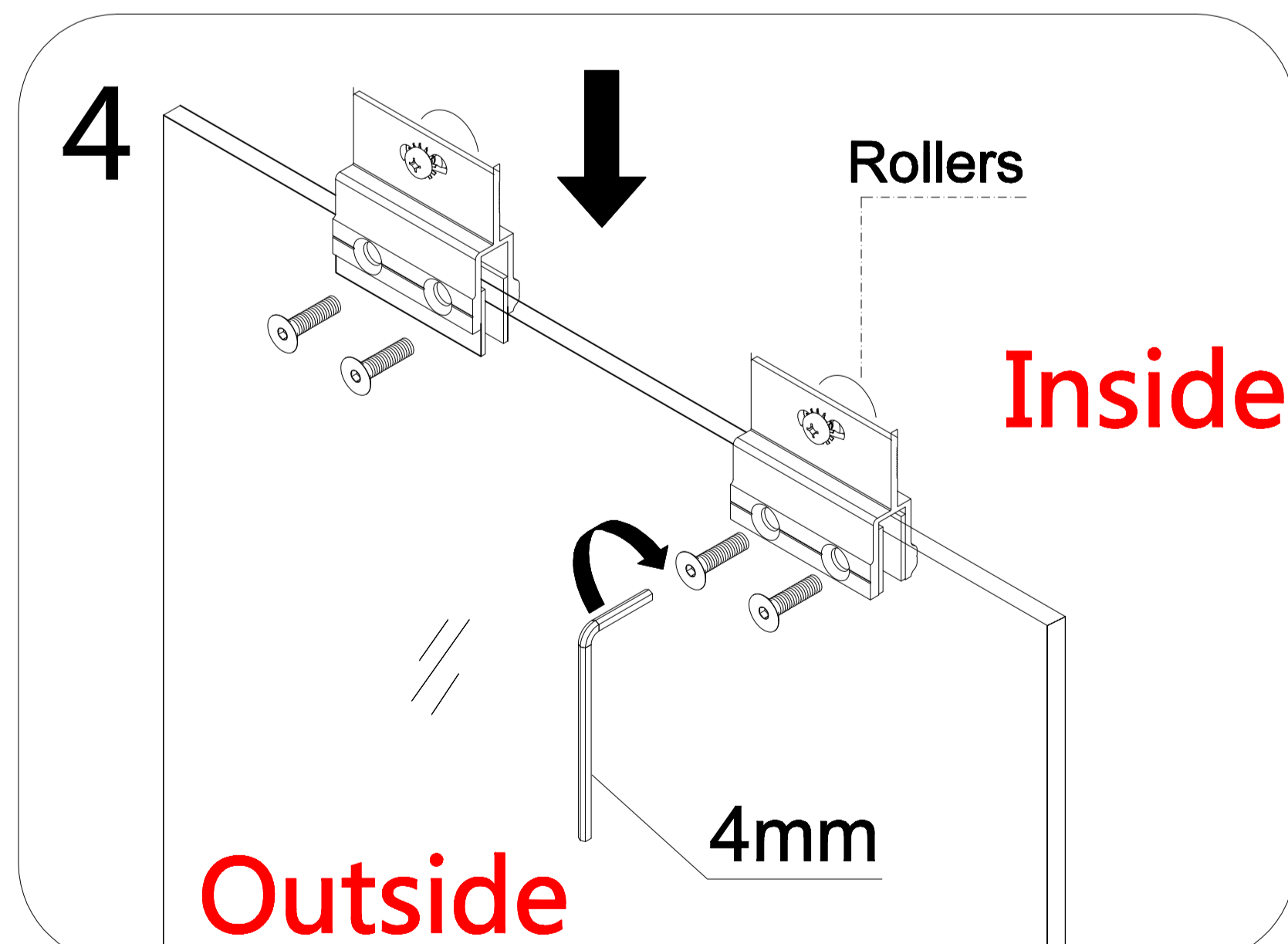
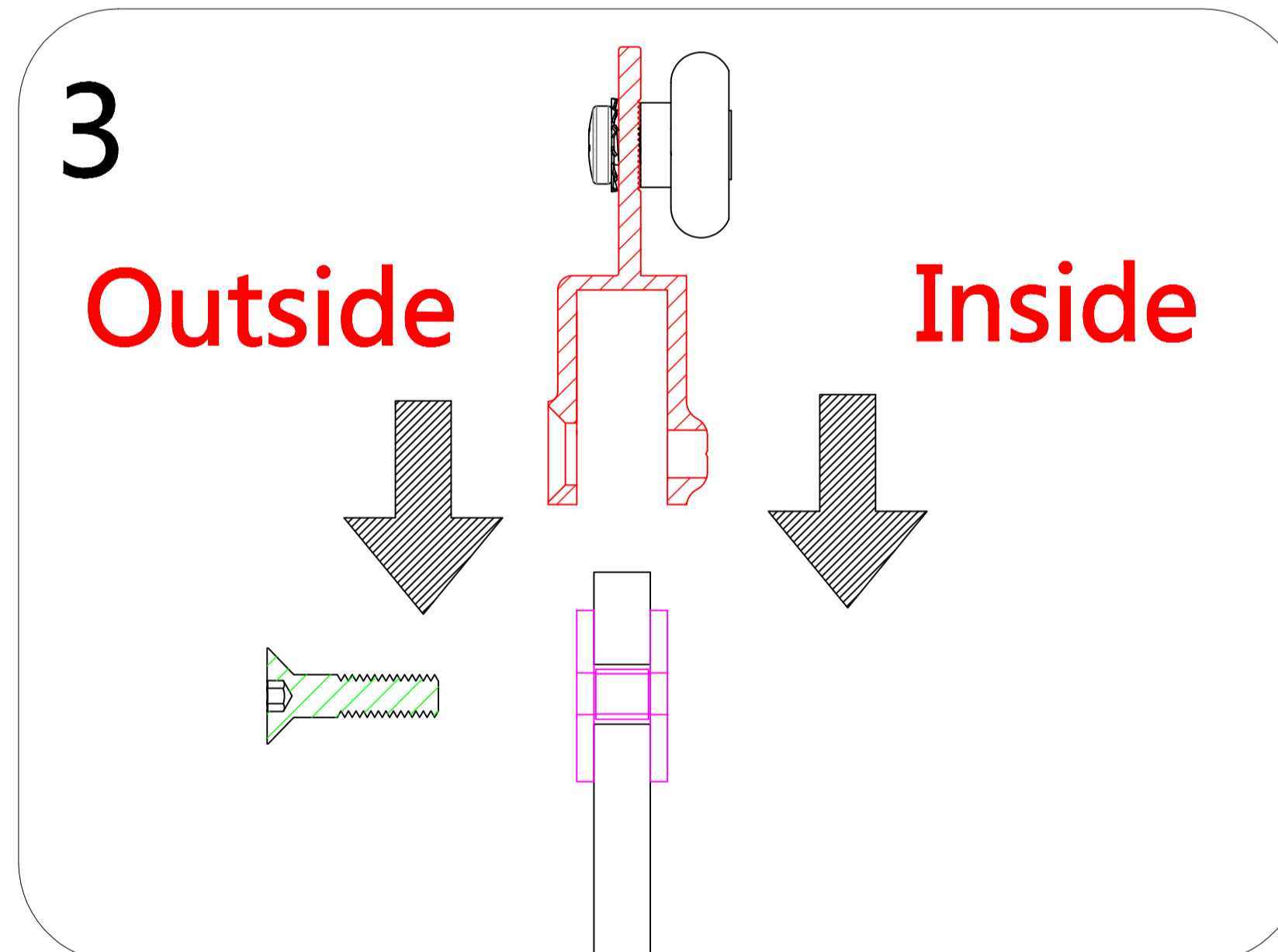
NOTE



1、 Insert the plastic tube into door panel .



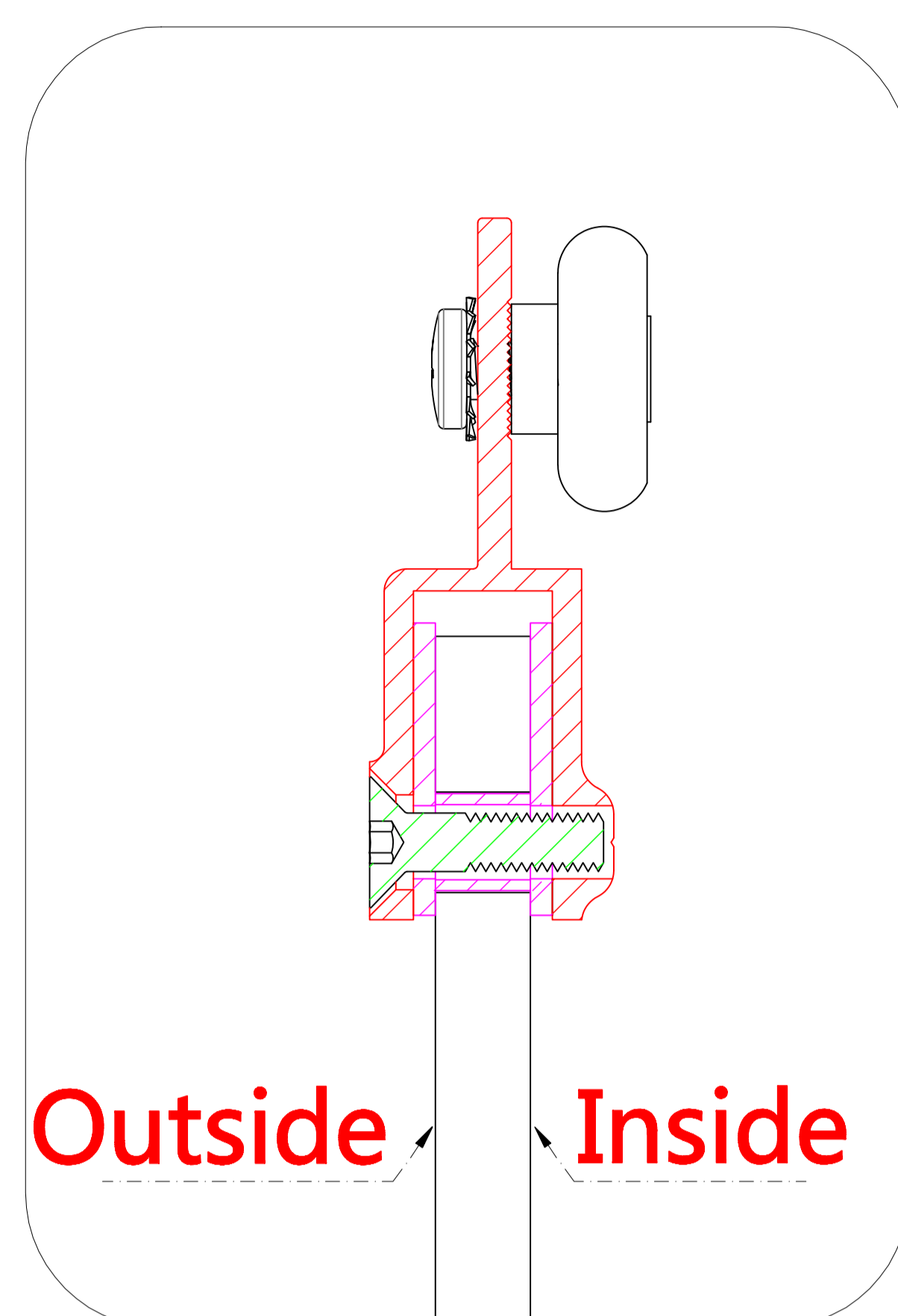
2、 Use screws and washer attach the roller set (B) .



STEP 6

Upper top rail (A) installation

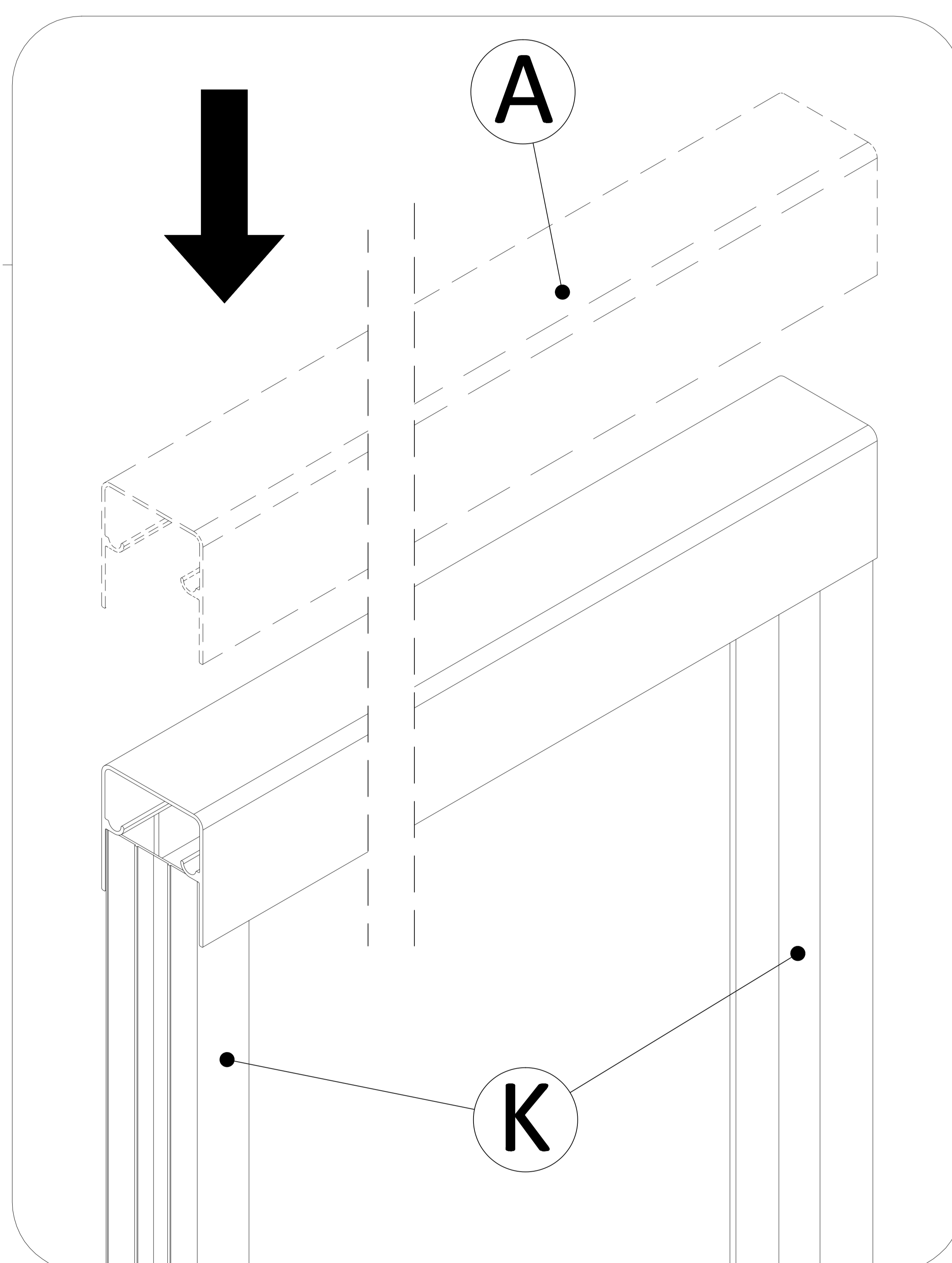
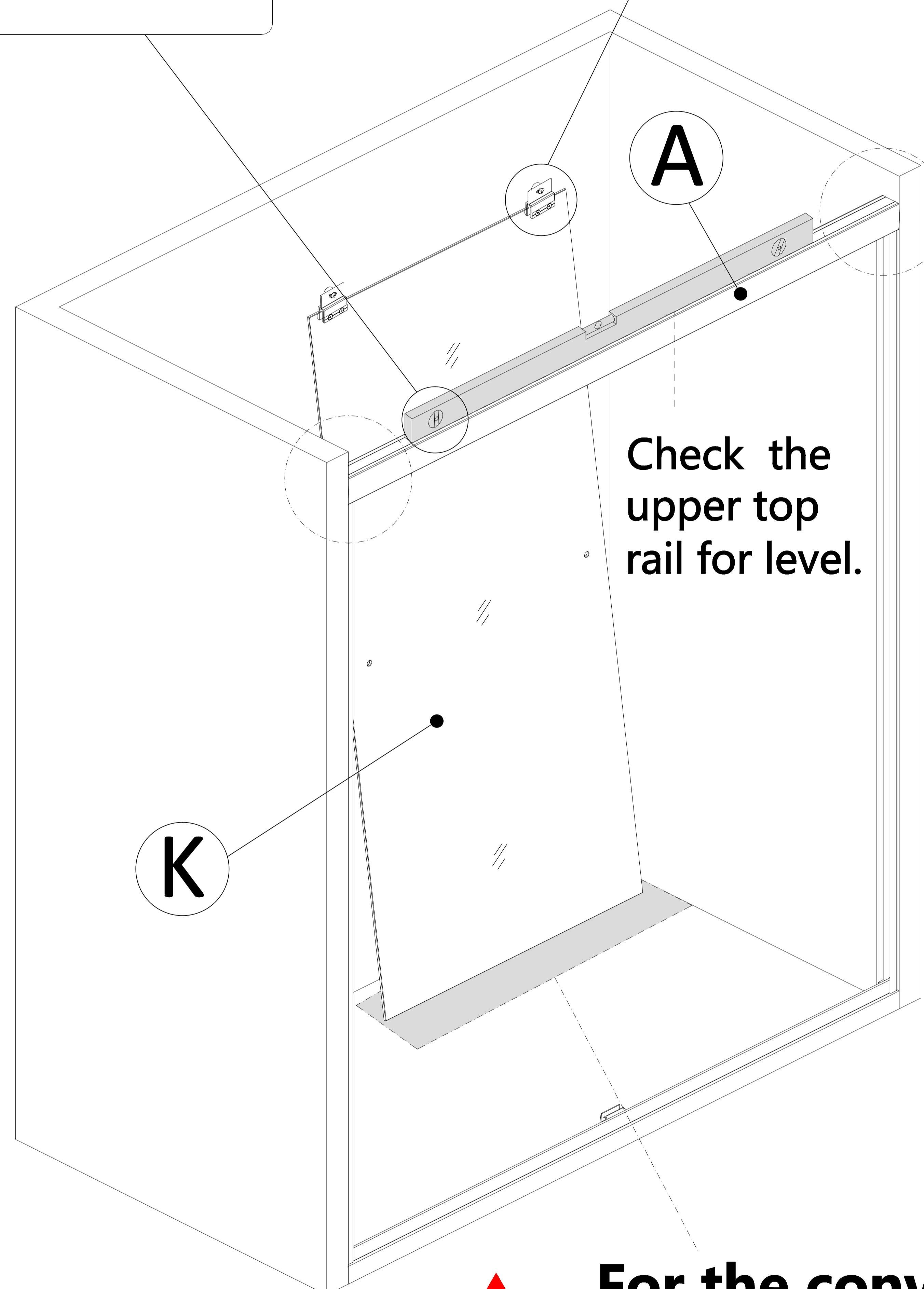
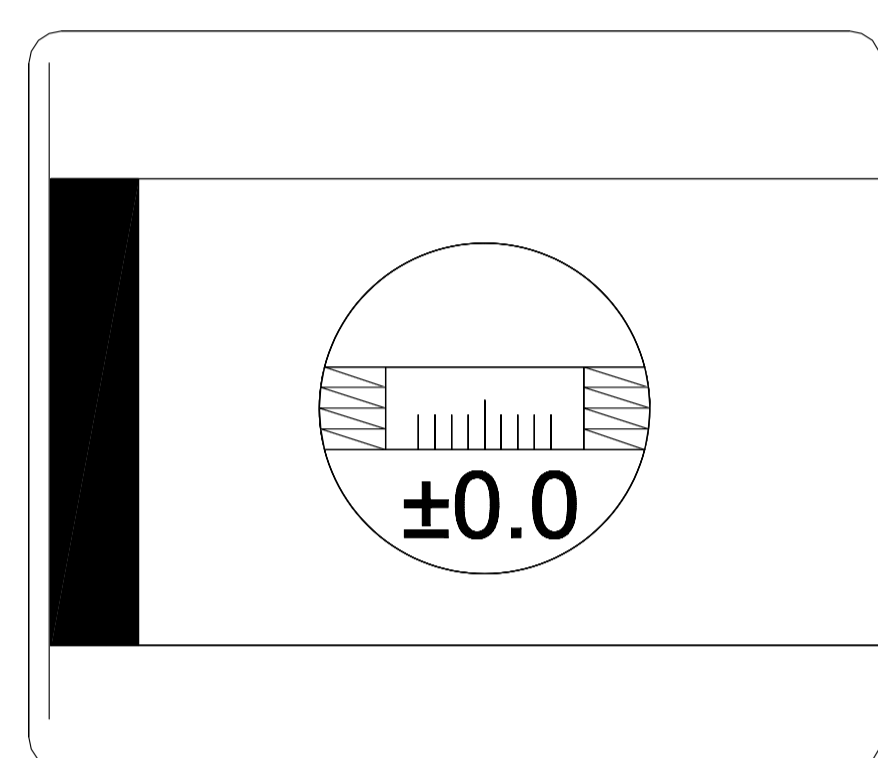
The side with screw holes on the roller sets (B) faces outside the shower room



NOTE

Put Inside door panel (K) inside the shower place before install the Upper top rail(A)

Insert the upper top rail(A) into the installed wall jamb (C).



For the convenience of installing glass in the future, it is recommended to put a piece of glass into the Shower area first, and be careful not to bump the glass! Please use something soft to cushion it

STEP 7

Outside Door panel(J) Installation

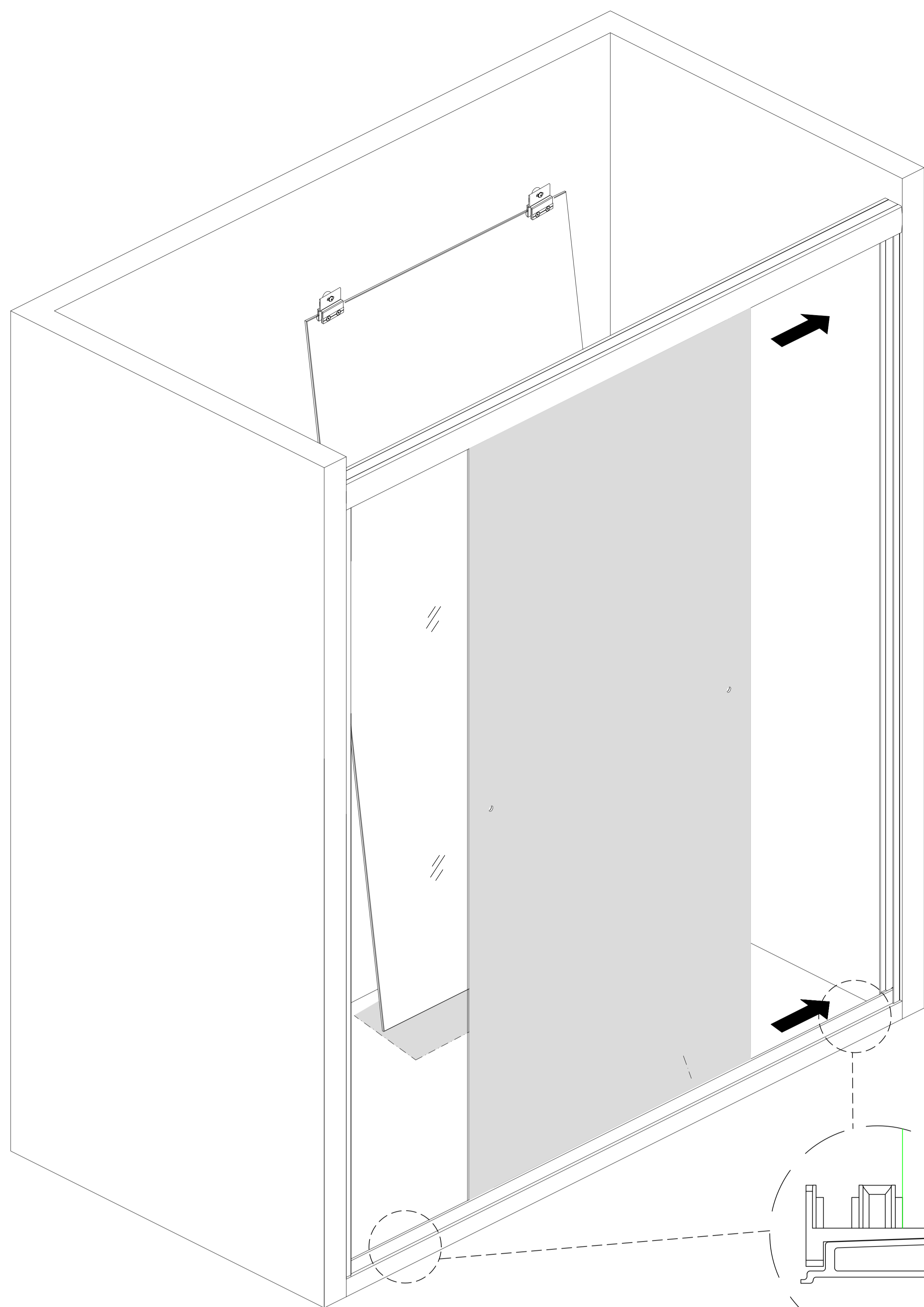


Fig.a

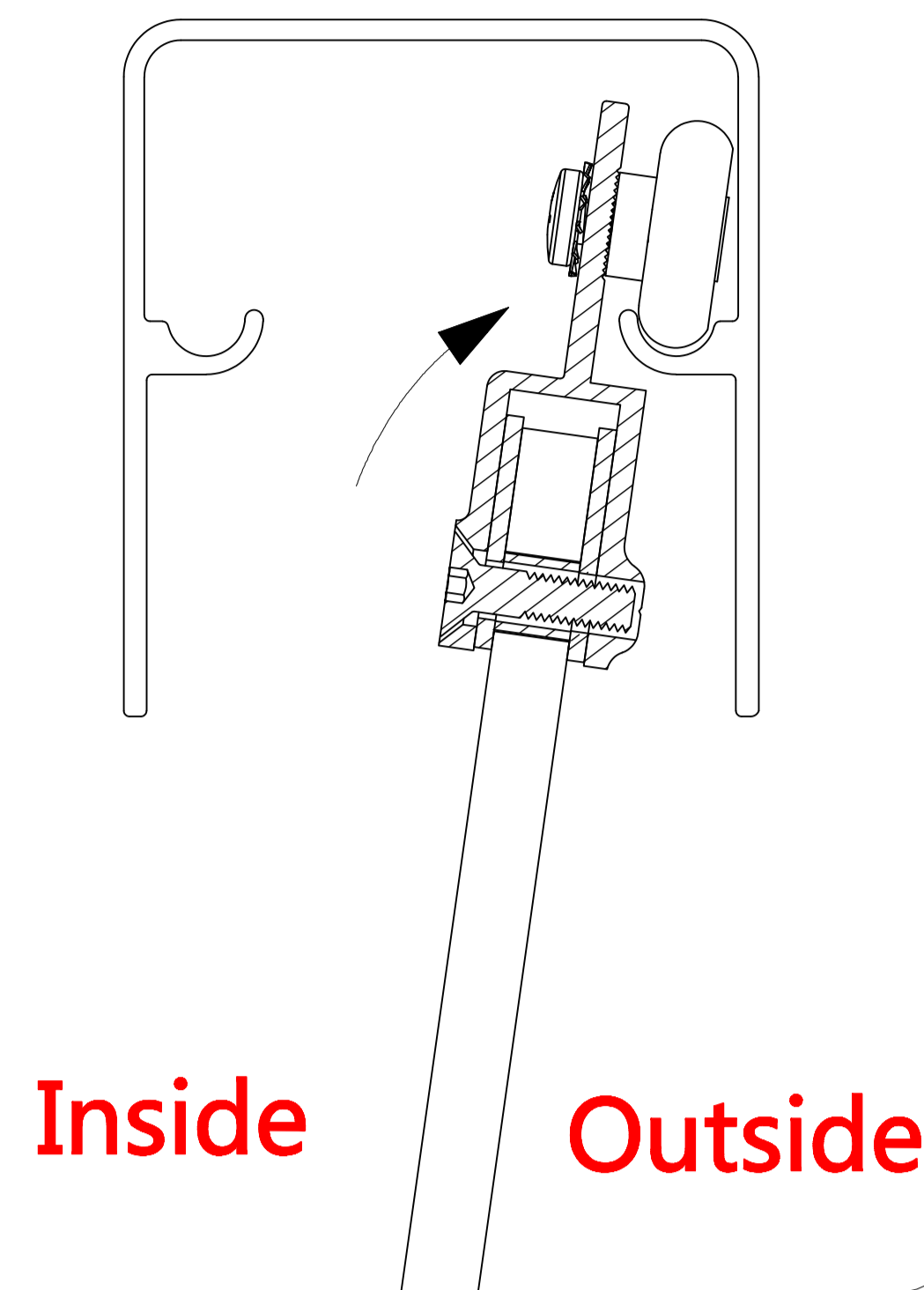
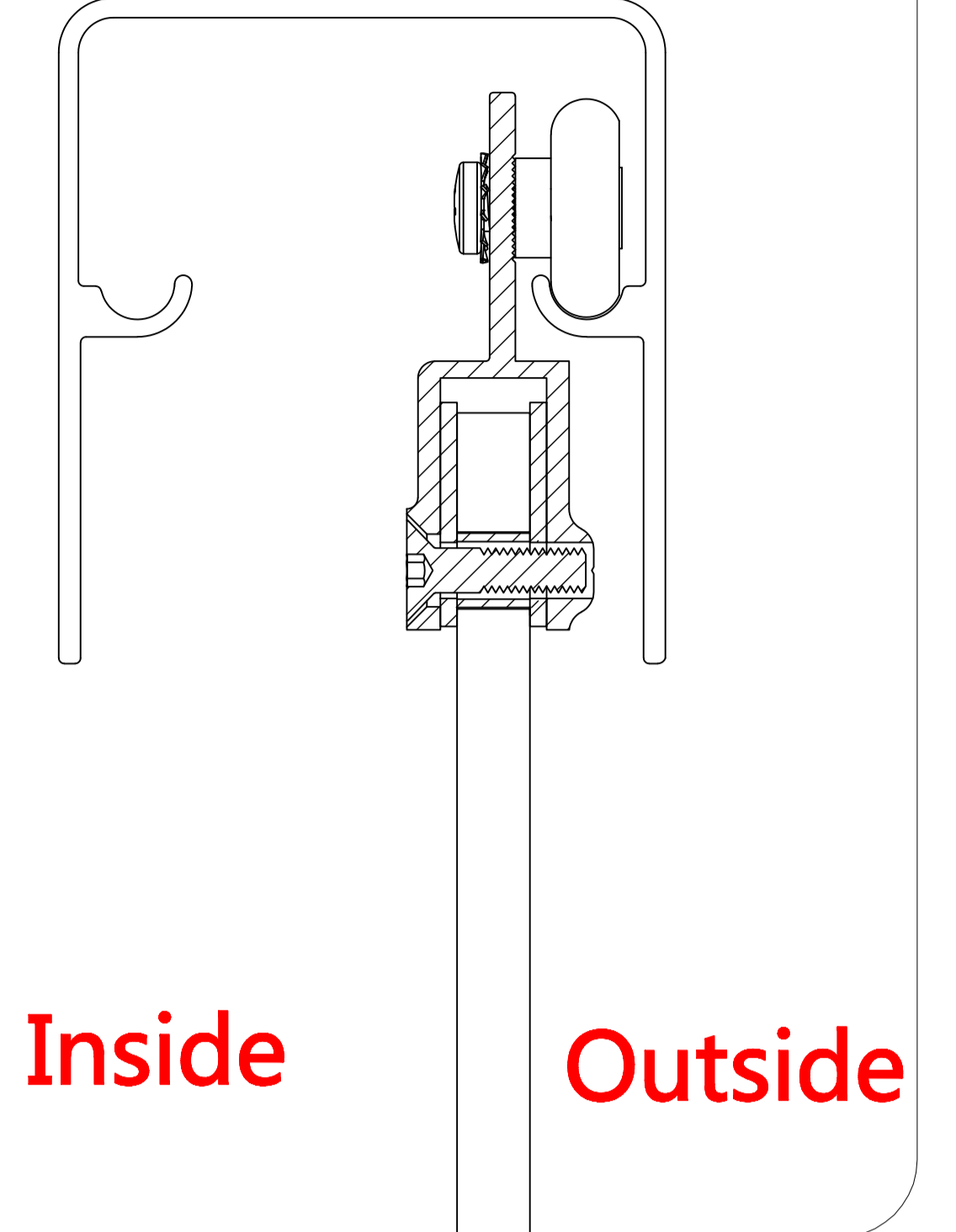
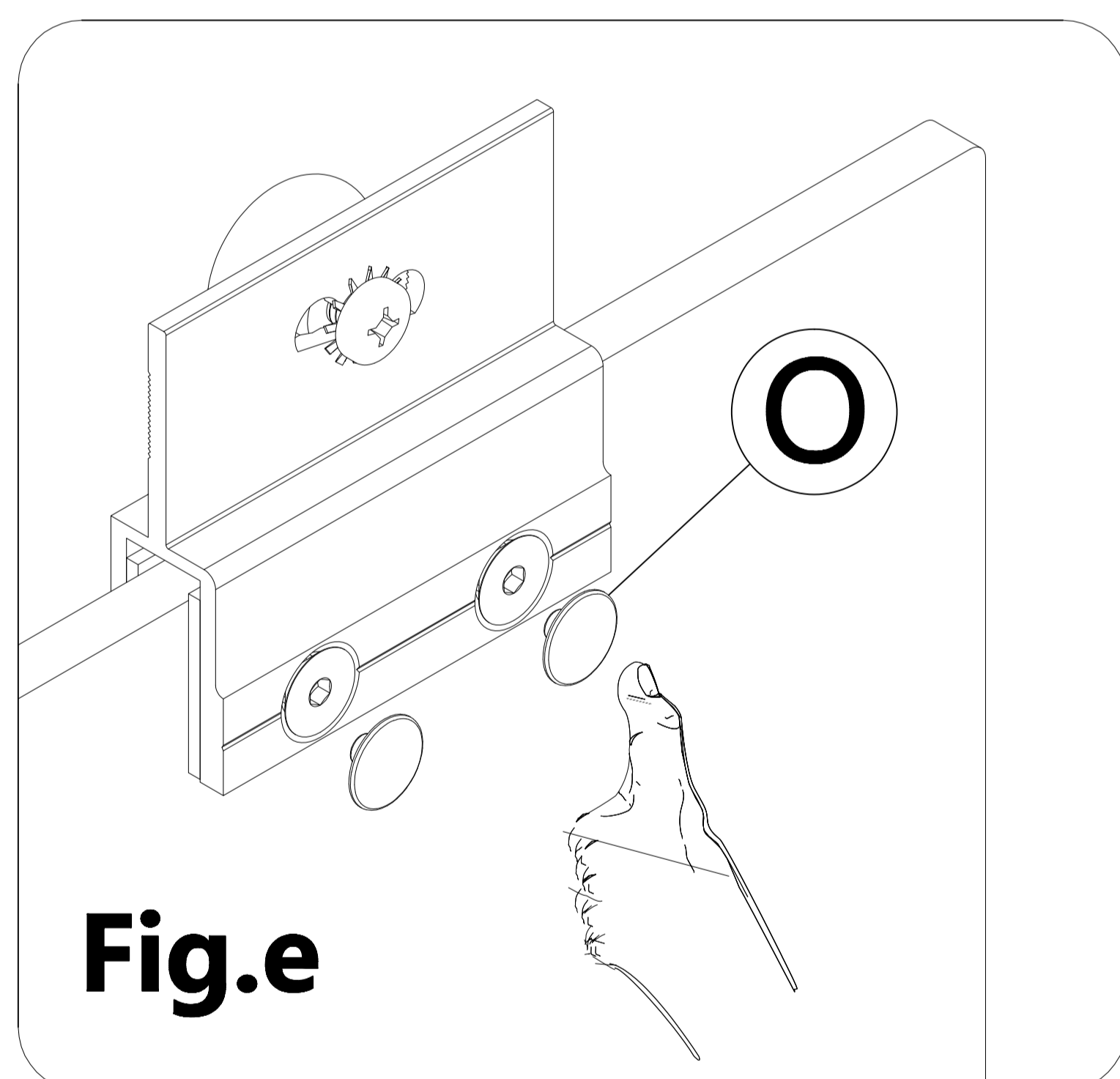


Fig.b



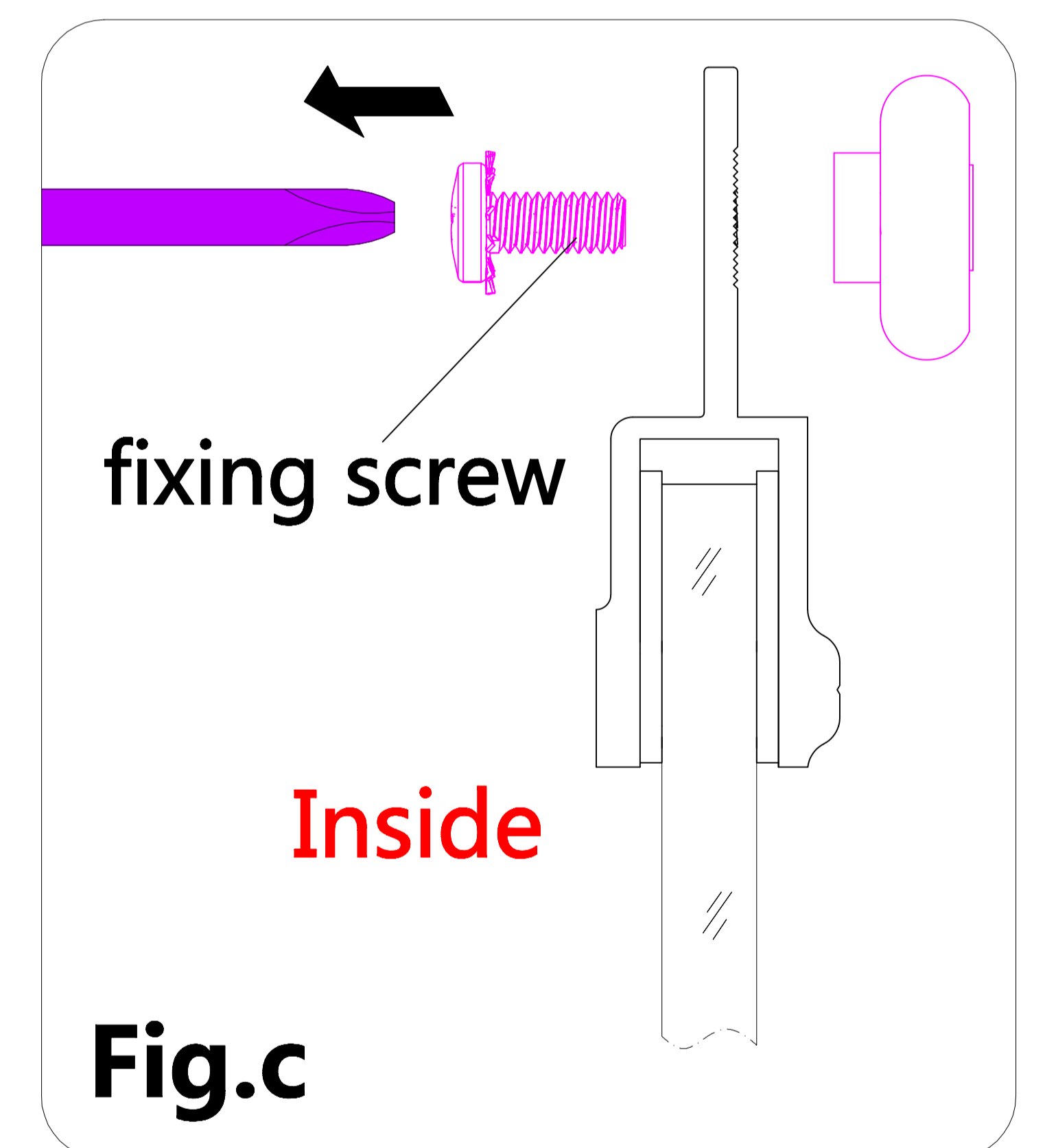
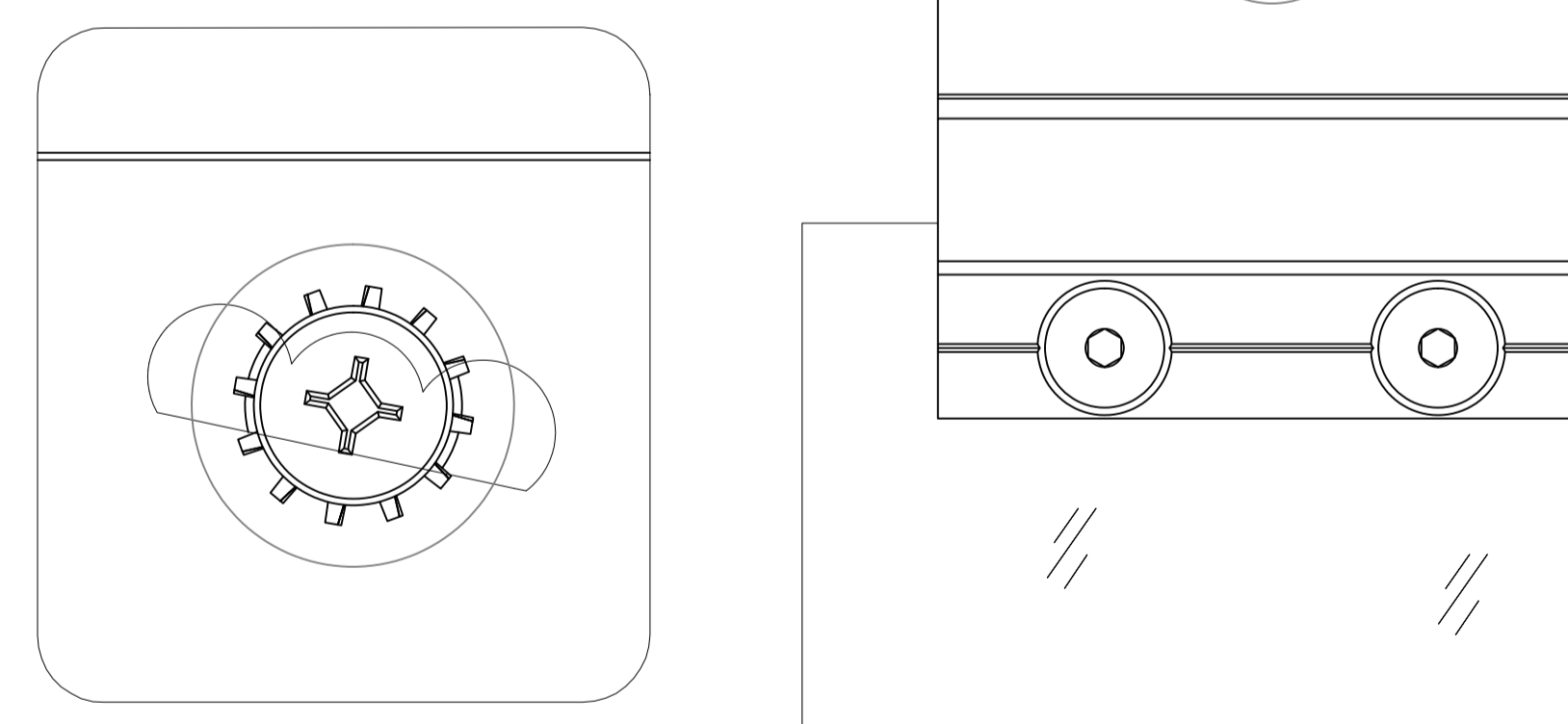
1. Insert the Outside Door Panel (J) into the Upper Top Rail (A) as Fig.a and Fig.b.
After hanging the door panel (J) on the top rail (A), the door panel (J) slides into the side bottom guide (I), avoiding the pre installed side bottom guide (I) on bottom rail (F) both sides when hanging.

!
Bottom guide



Ensure that the roller is in the middle hole

Fig.d

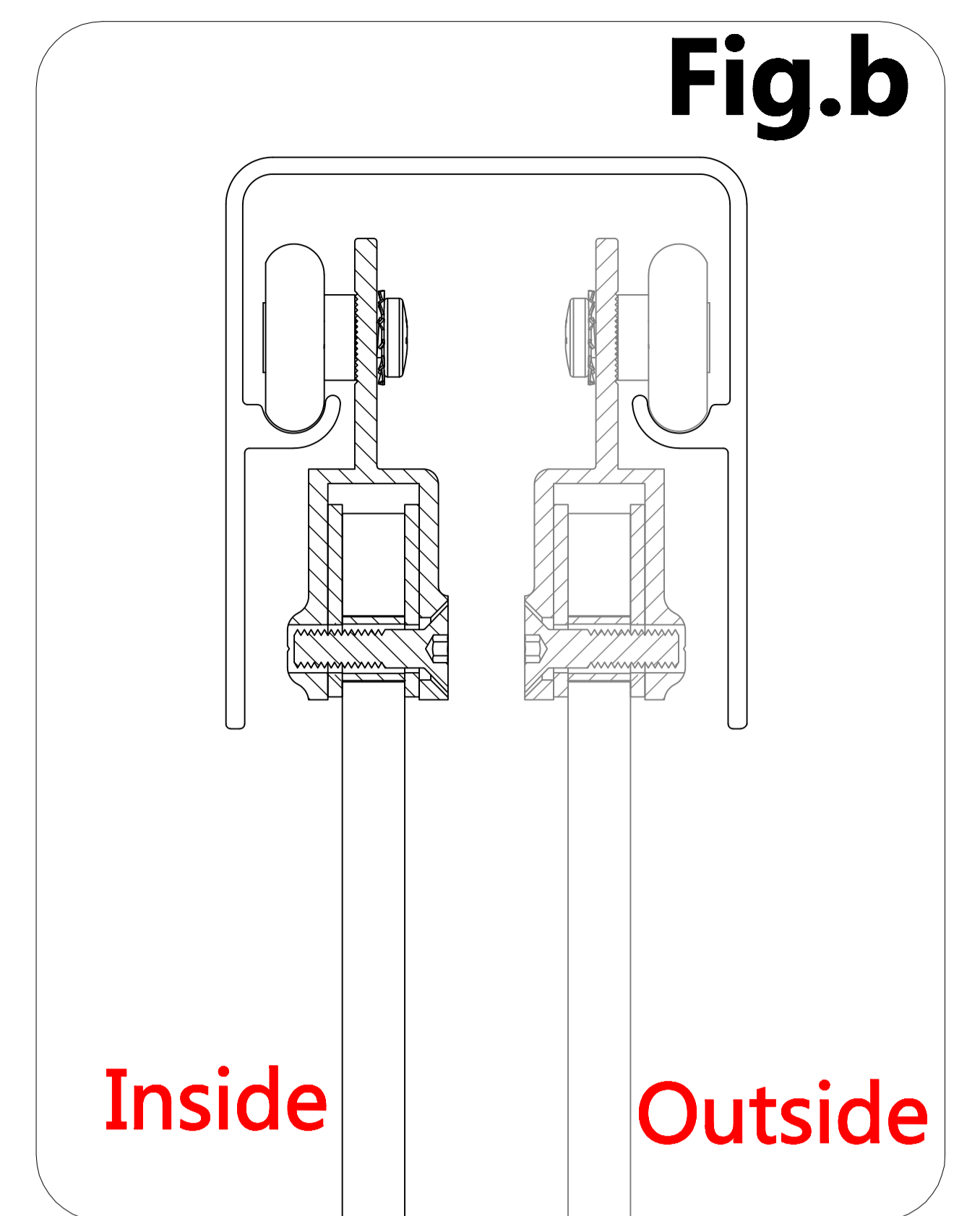
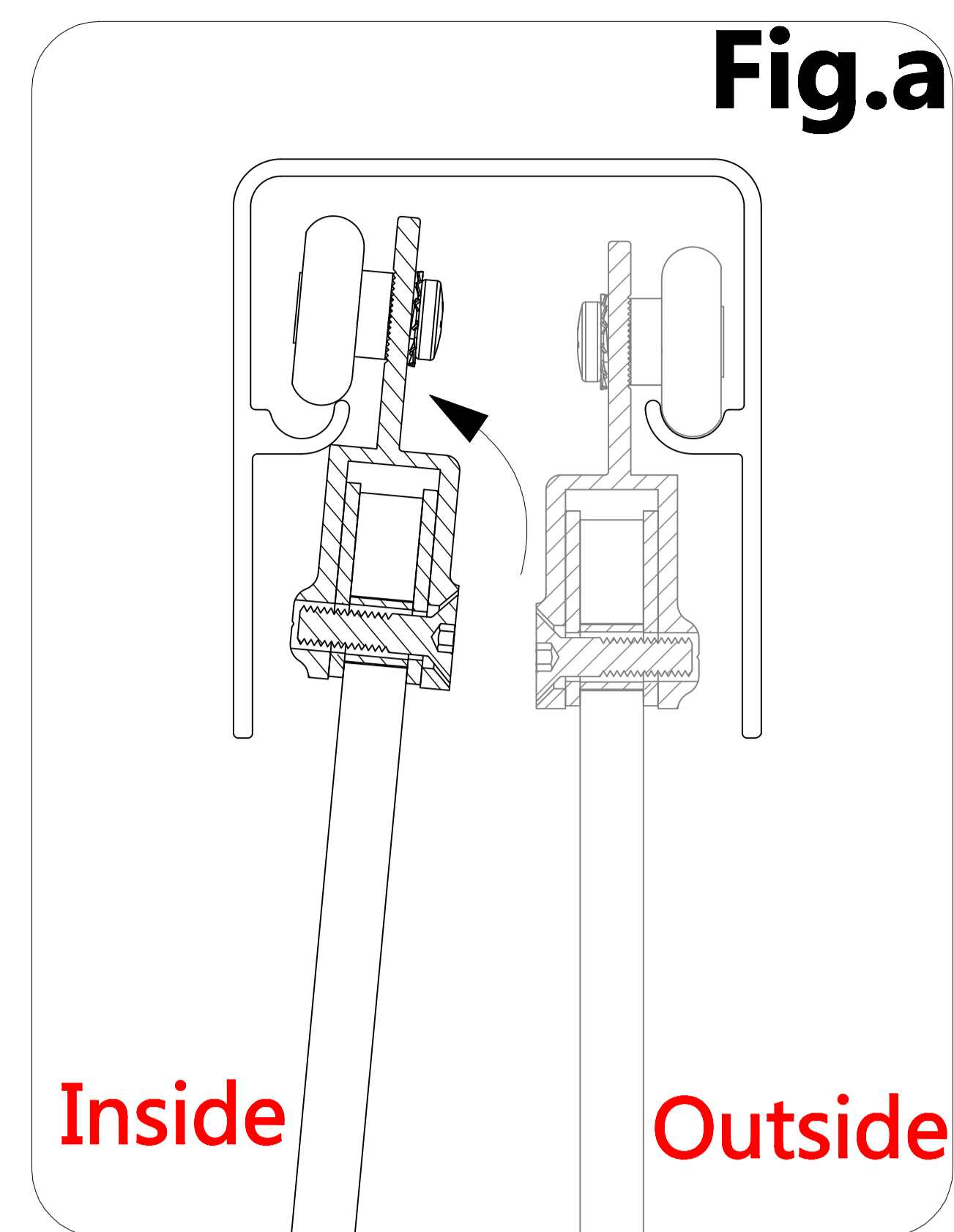
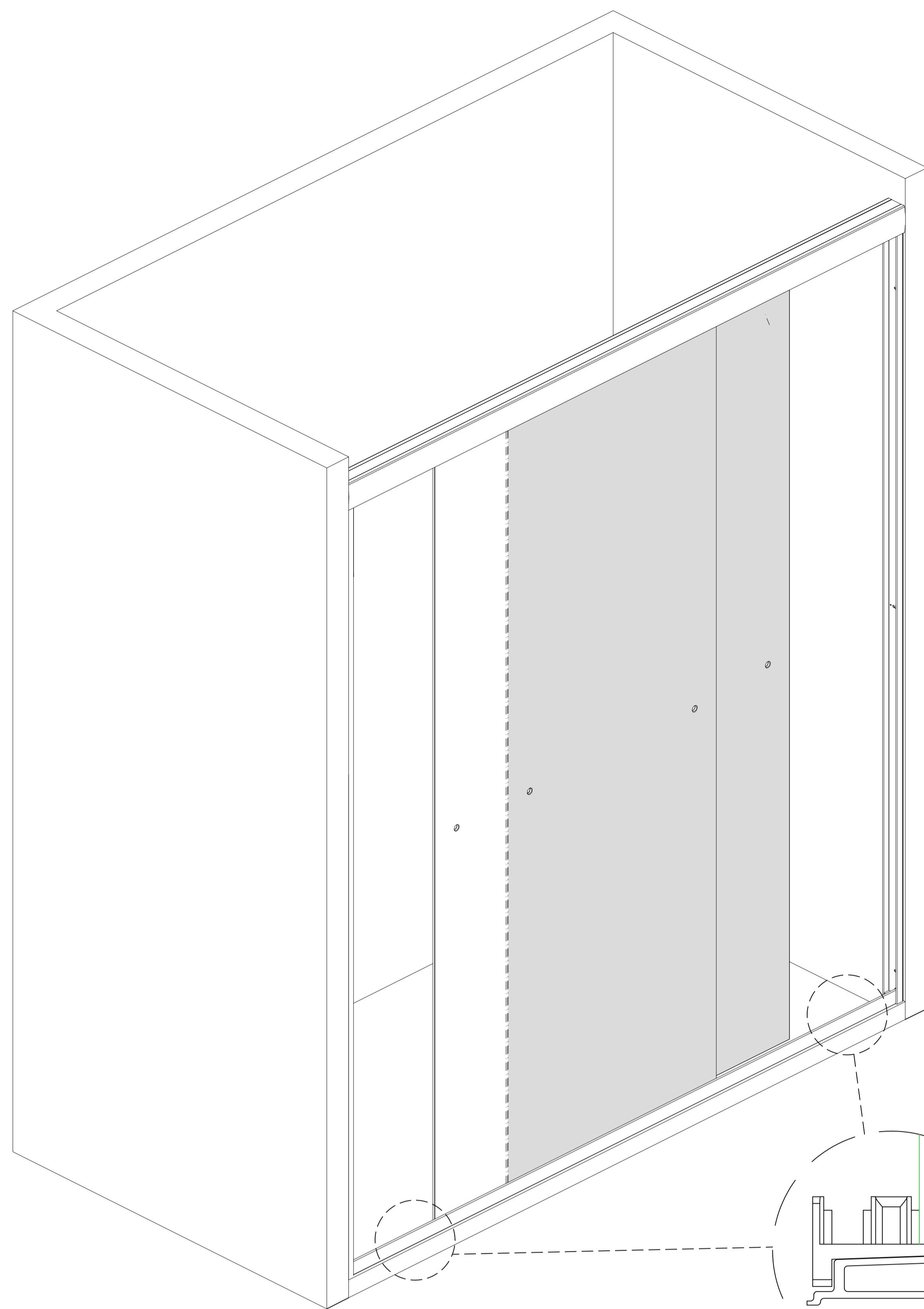


NOTE

- DO NOT Install the handle (E) and (Q) on the glass until instructed.
DO NOT lift the glass using the handle;
1. The Roller set (B) cannot be adjusted, ensure that the roller sets are in the middle hole as Fig.d
 2. If the roller sets (B) are not in the middle hole, please remove the roller fixing screw and move it to the middle hole as Fig.c
 3. After adjusting the position of the roller, install the roller set hole plugs (O) as Fig.e;
 4. Put the door panel (J) on the Bottom Rail (F).

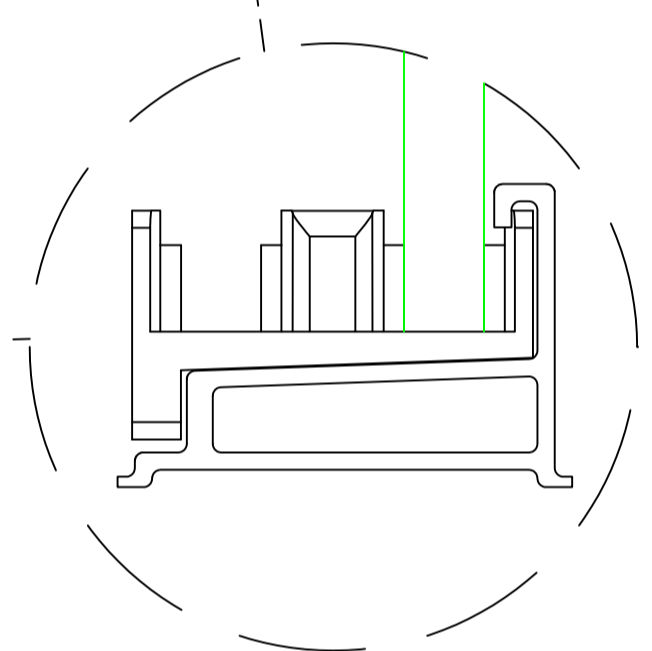
STEP 8

Inside Door panel(K) Installation

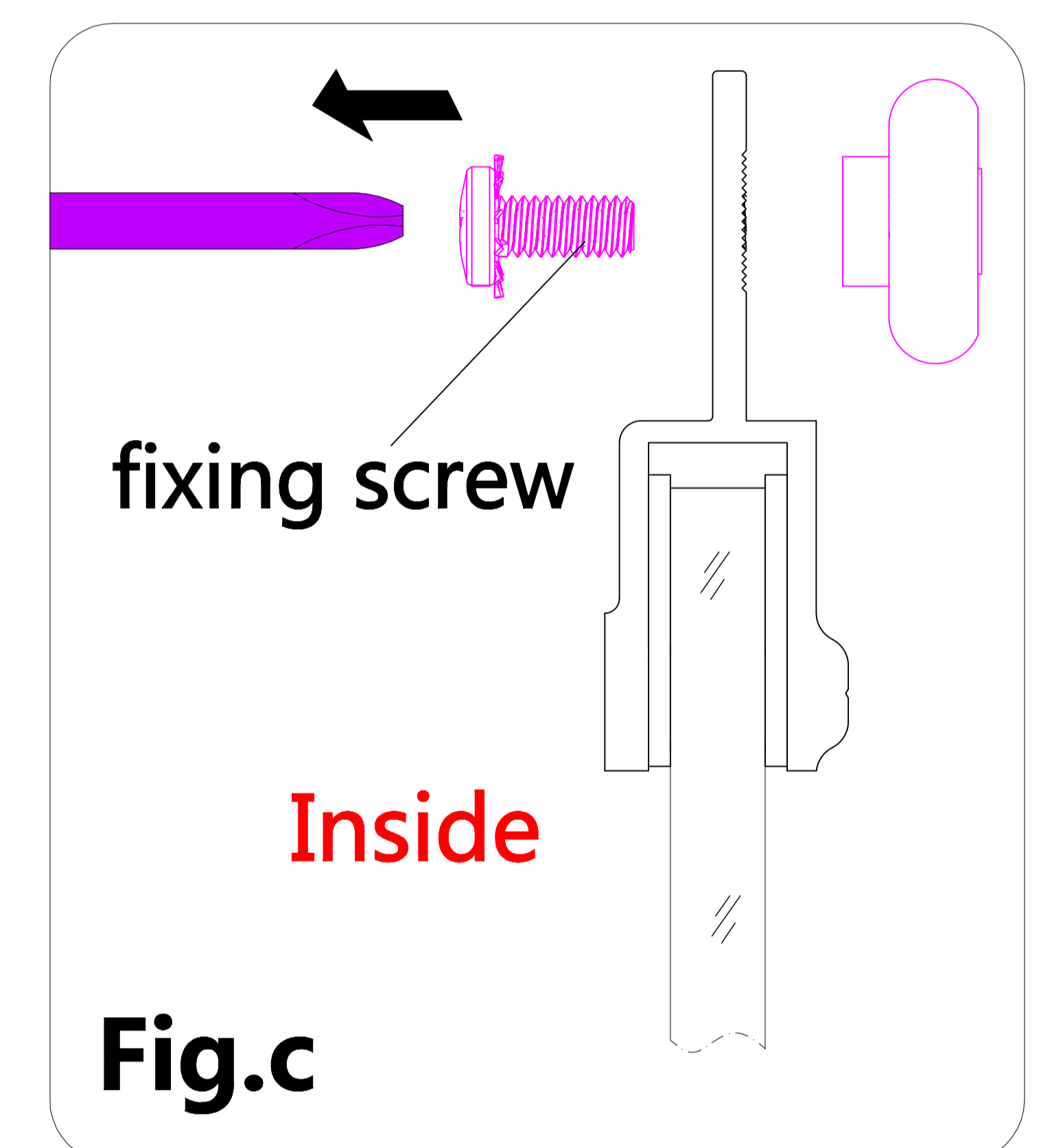
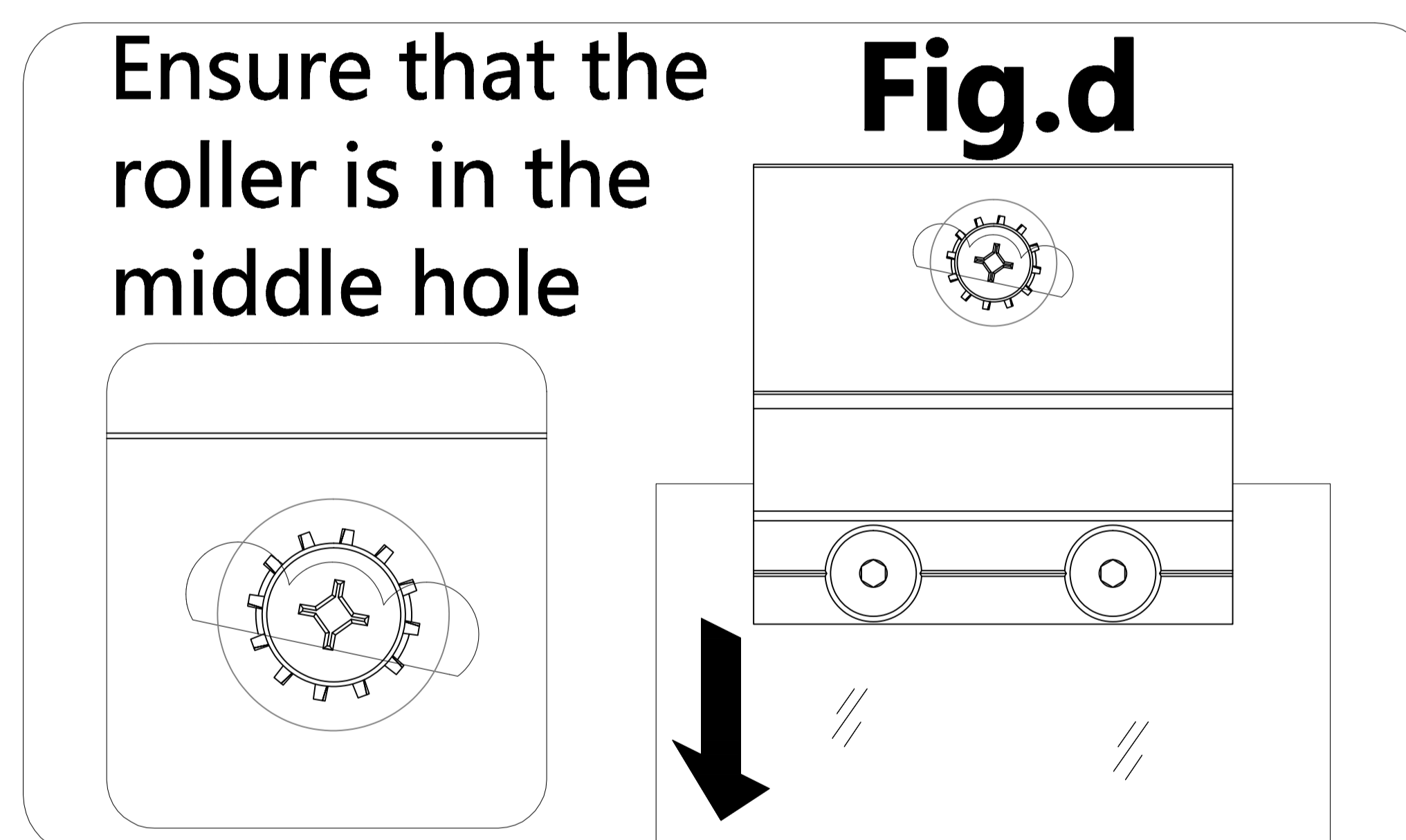
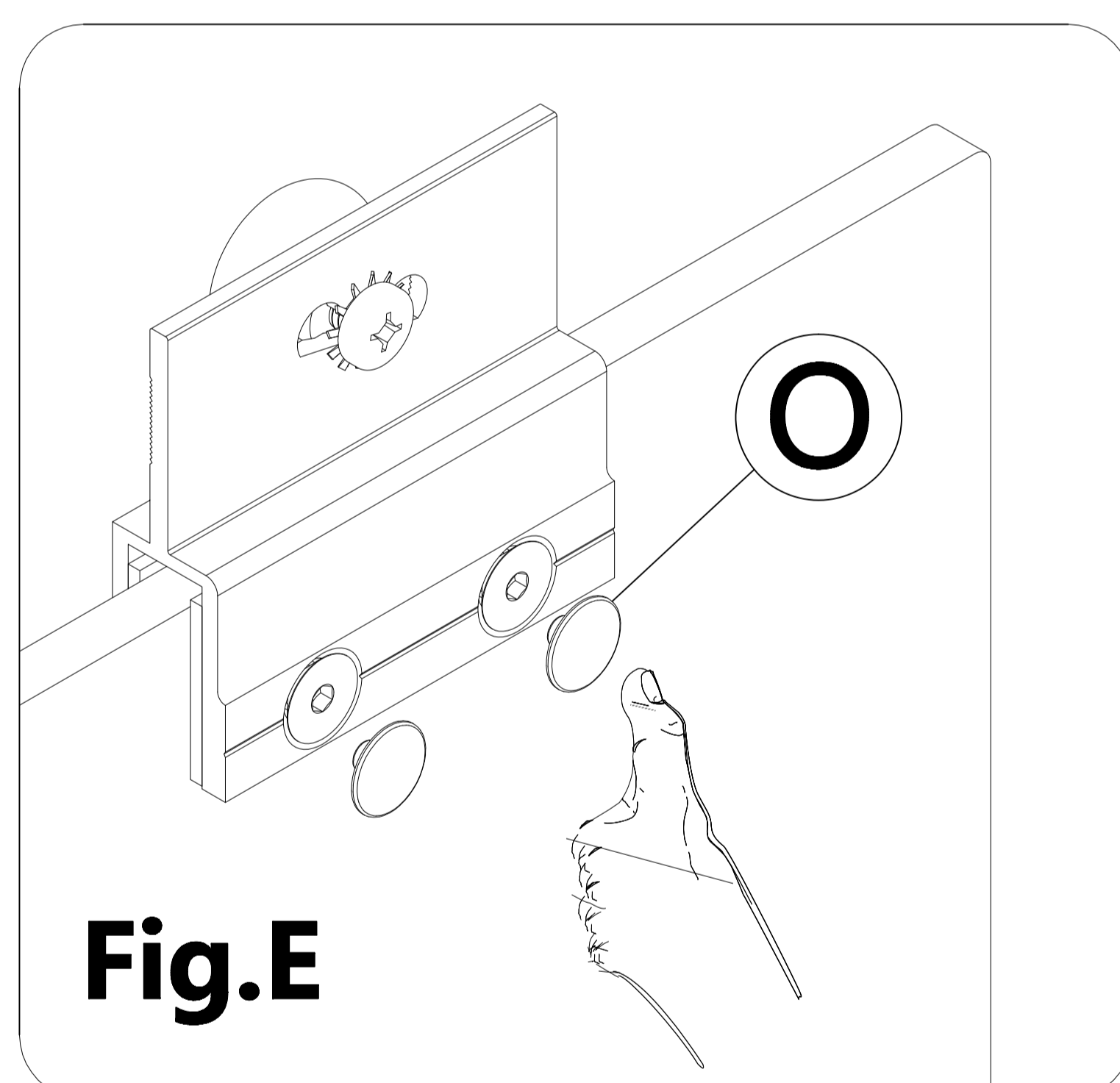


1. Insert the Outside Door Panel(K) into the Upper Top Rail(A) as Fig.a and Fig.b.

After hanging the door panel (K) on the top rail (A), the door panel (K) slides into the side bottom guide (I), avoiding the pre installed side bottom guide (I) on bottom rail (F) both sides when hanging.



!
**Bottom
guide**



NOTE

DO NOT Install the handle (E) and (Q) on the glass until instructed.
DO NOT lift the glass using the handle;

1. The Roller set (B) cannot be adjusted, ensure that the roller sets are in the middle hole as Fig.d
2. If the roller sets (B) are not in the middle hole, please remove the roller fixing screw and move it to the middle hole as Fig.c
3. After adjusting the position of the roller, install the roller set hole plugs (O) as Fig.e;
4. Put the door panel (K) on the Bottom Rail (F).

STEP 9

Bottom guide (I) Installation

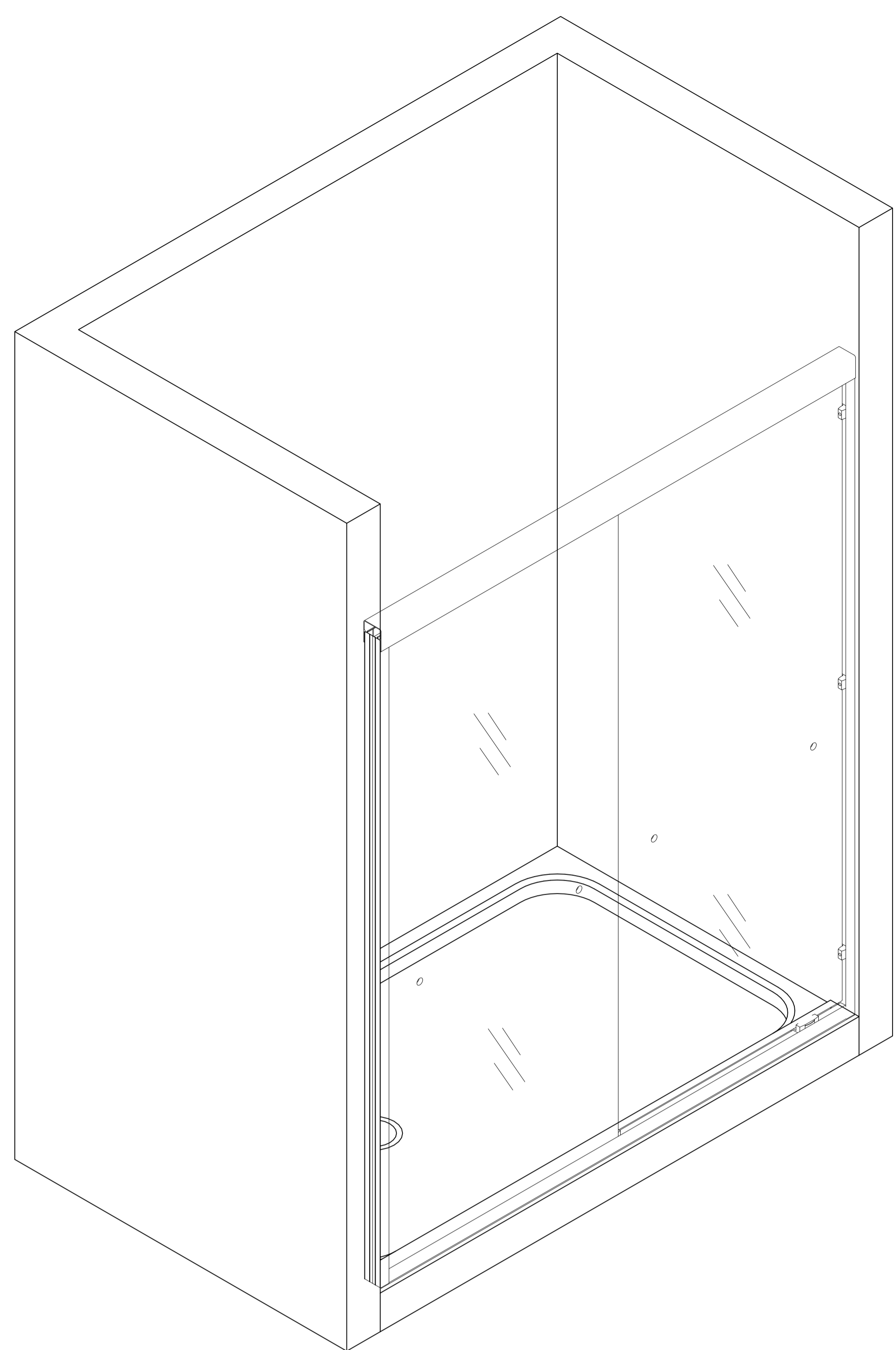


Fig.a

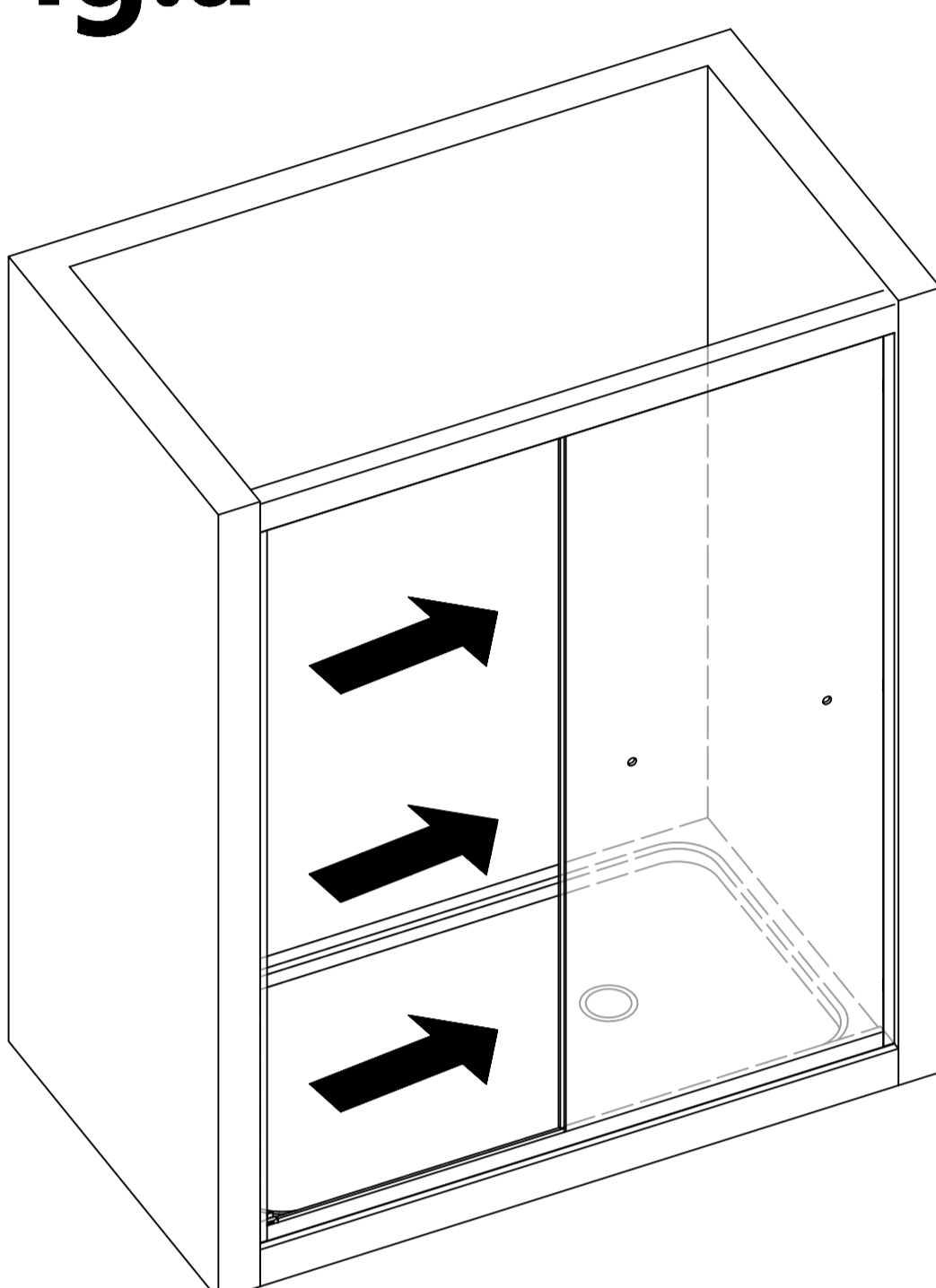


Fig.b

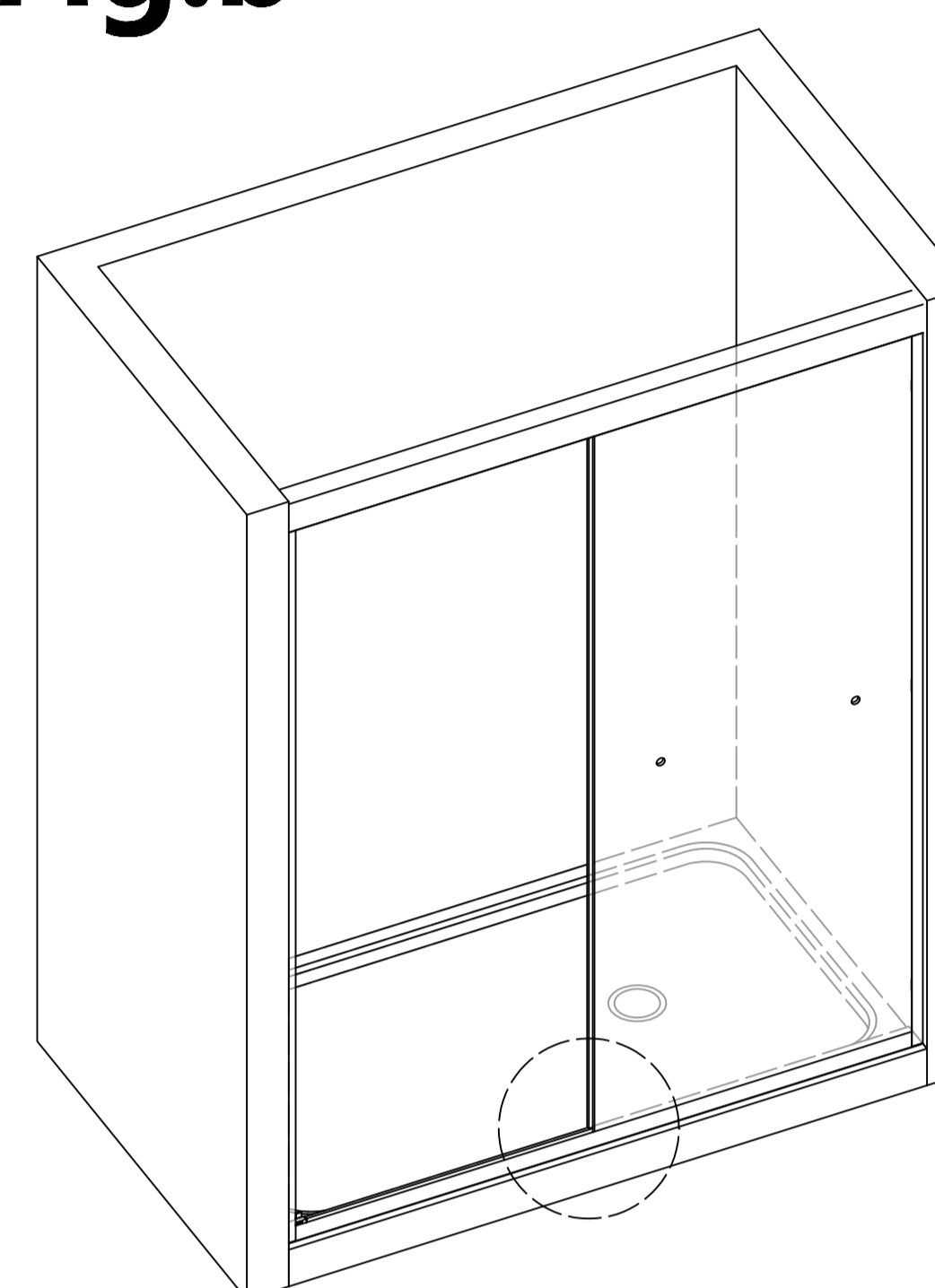


Fig.c

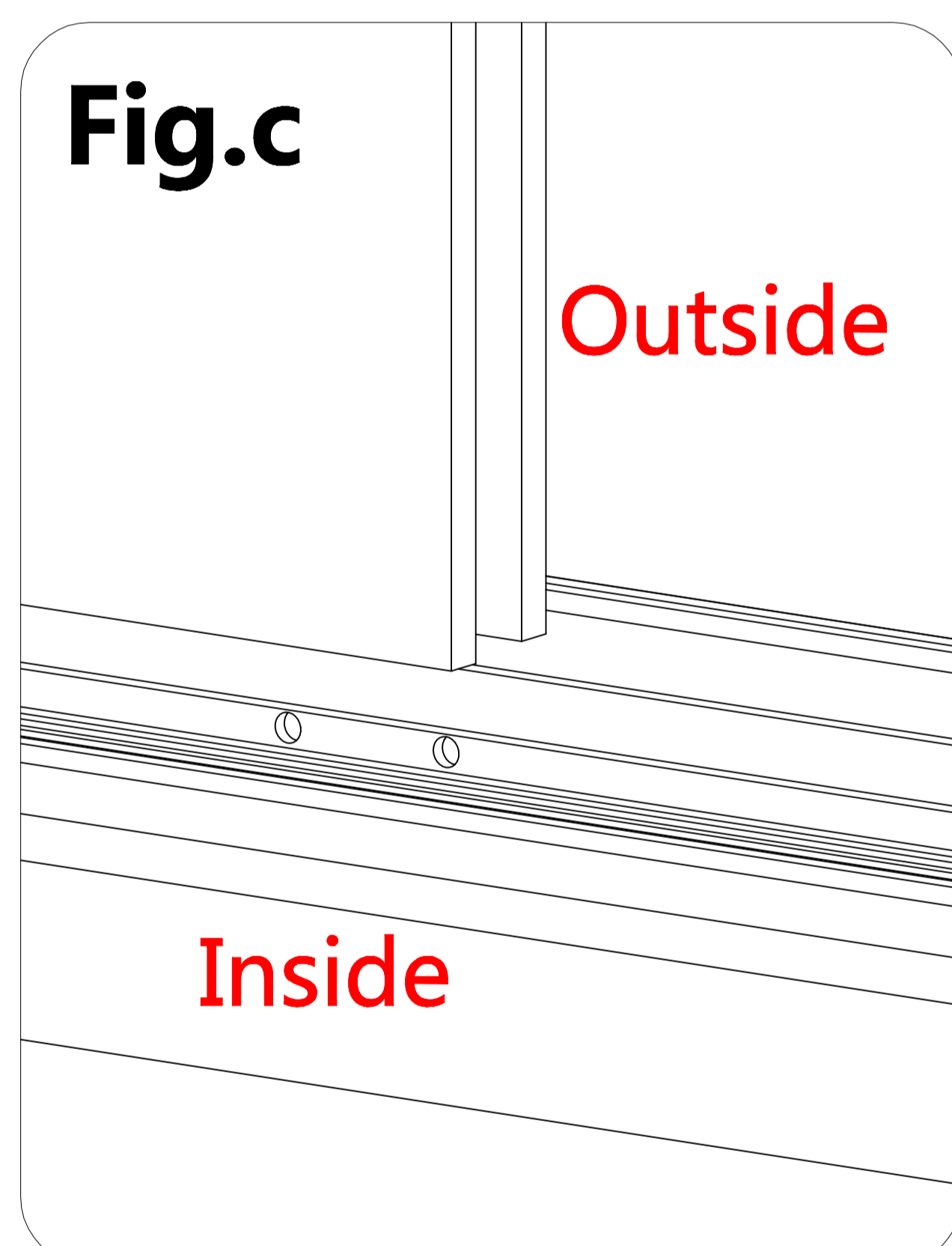


Fig.d

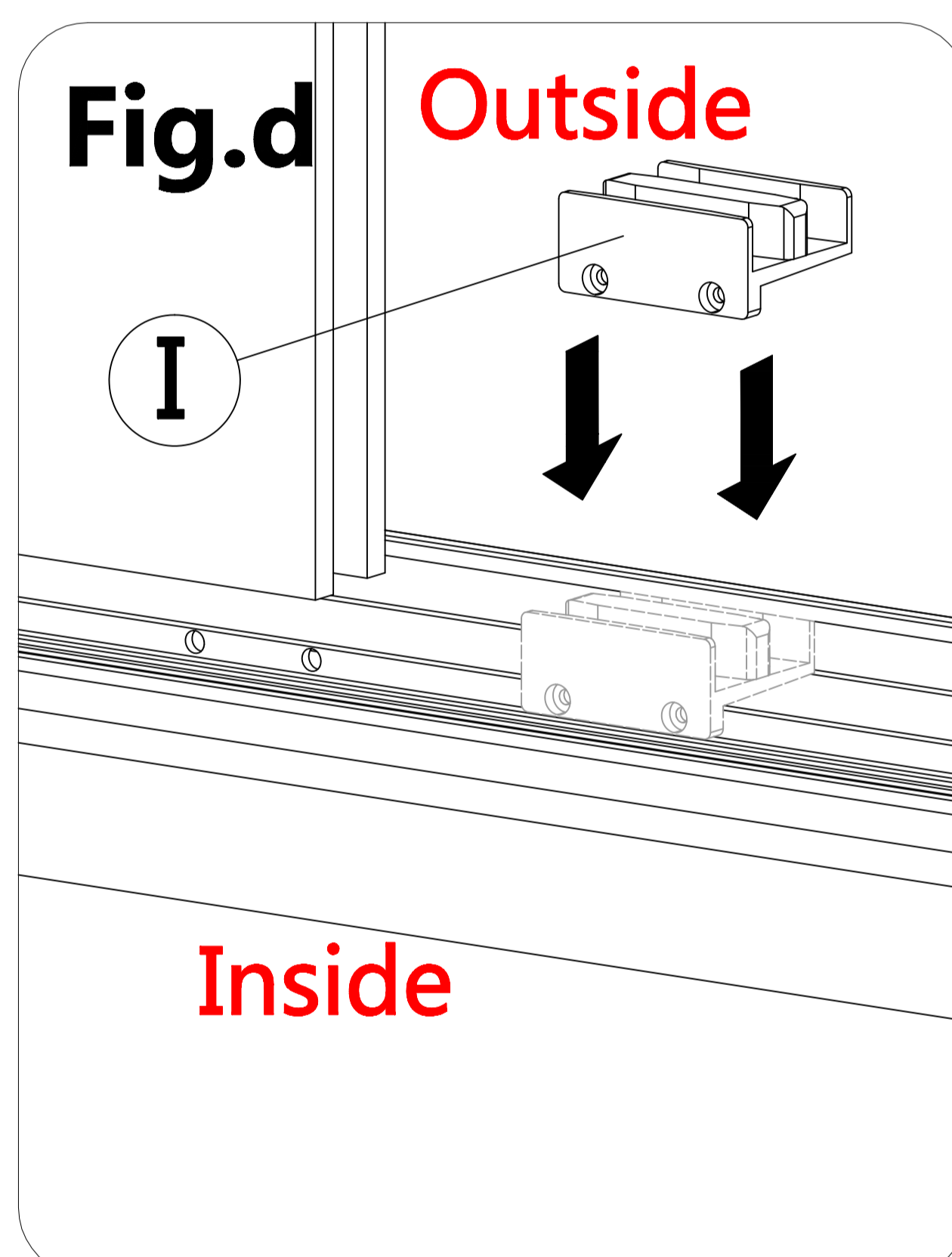


Fig.e

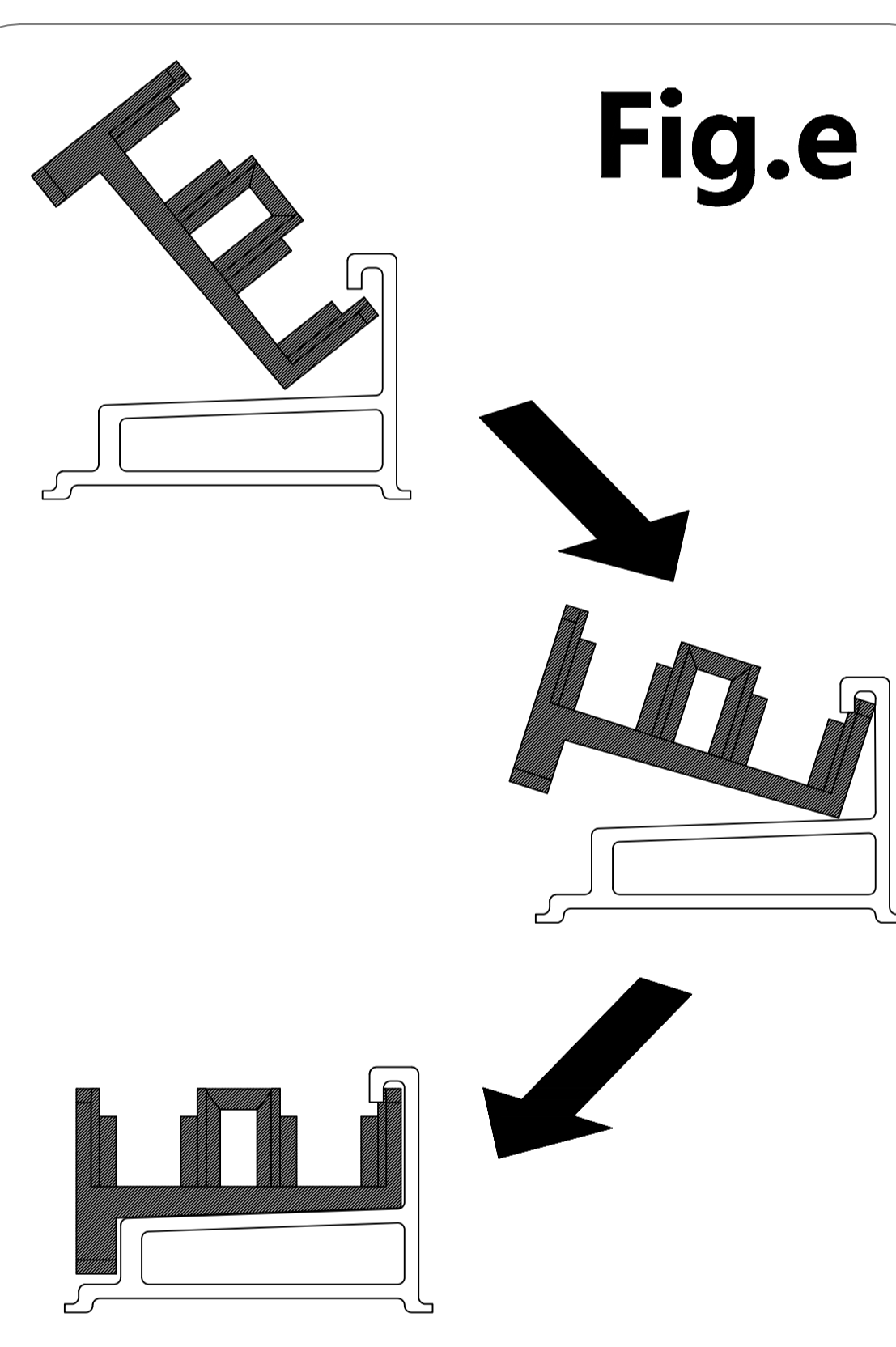


Fig.f

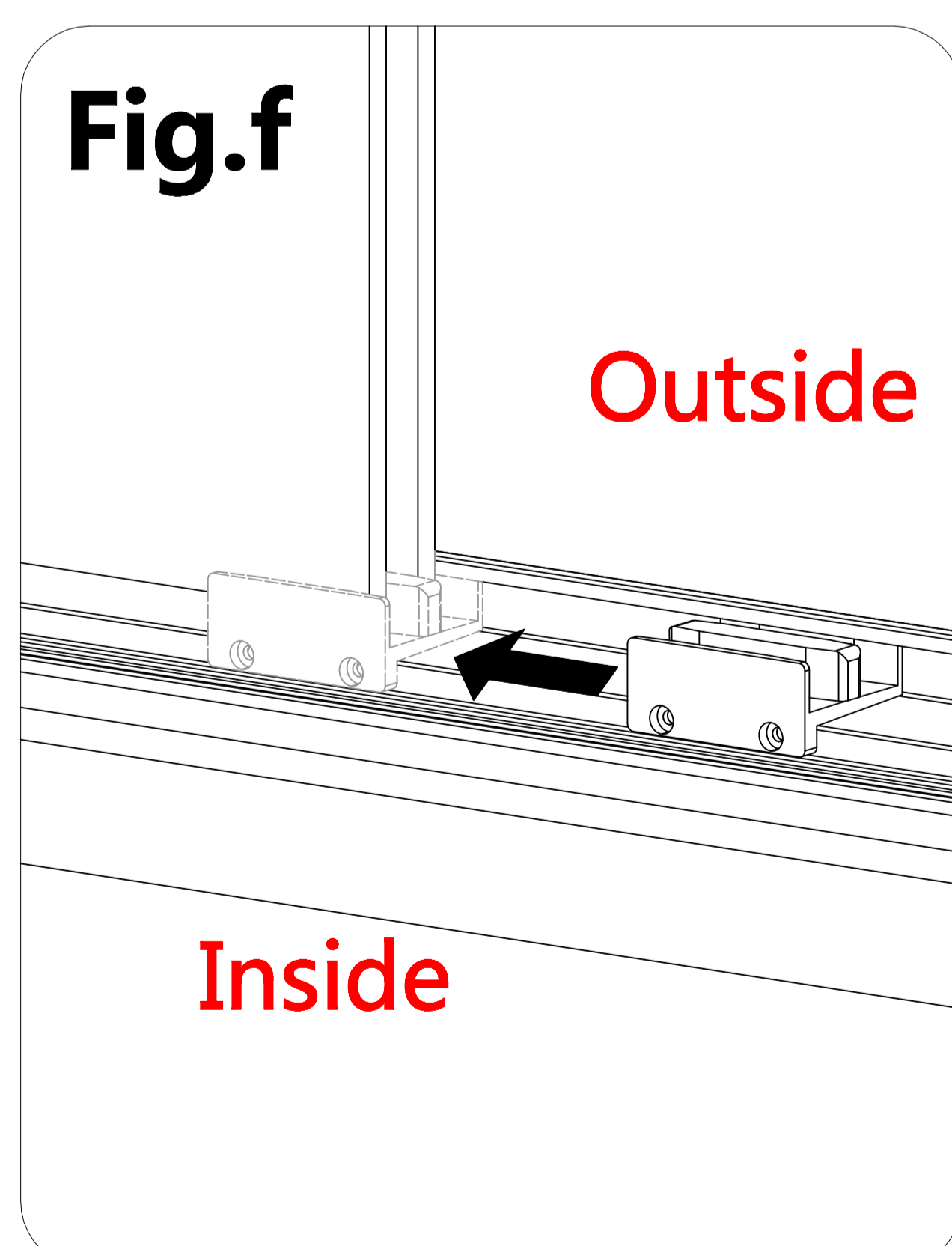


Fig.g

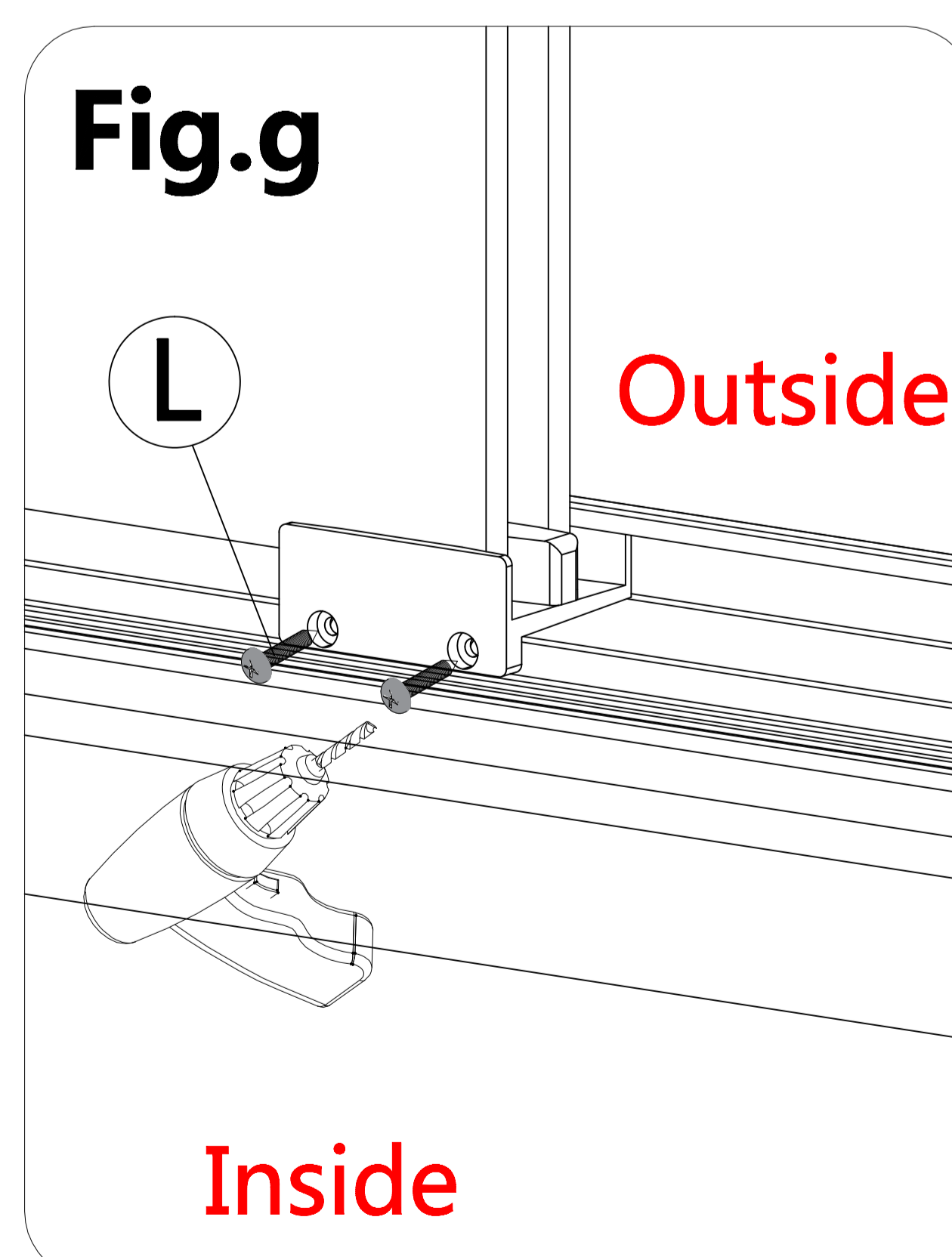
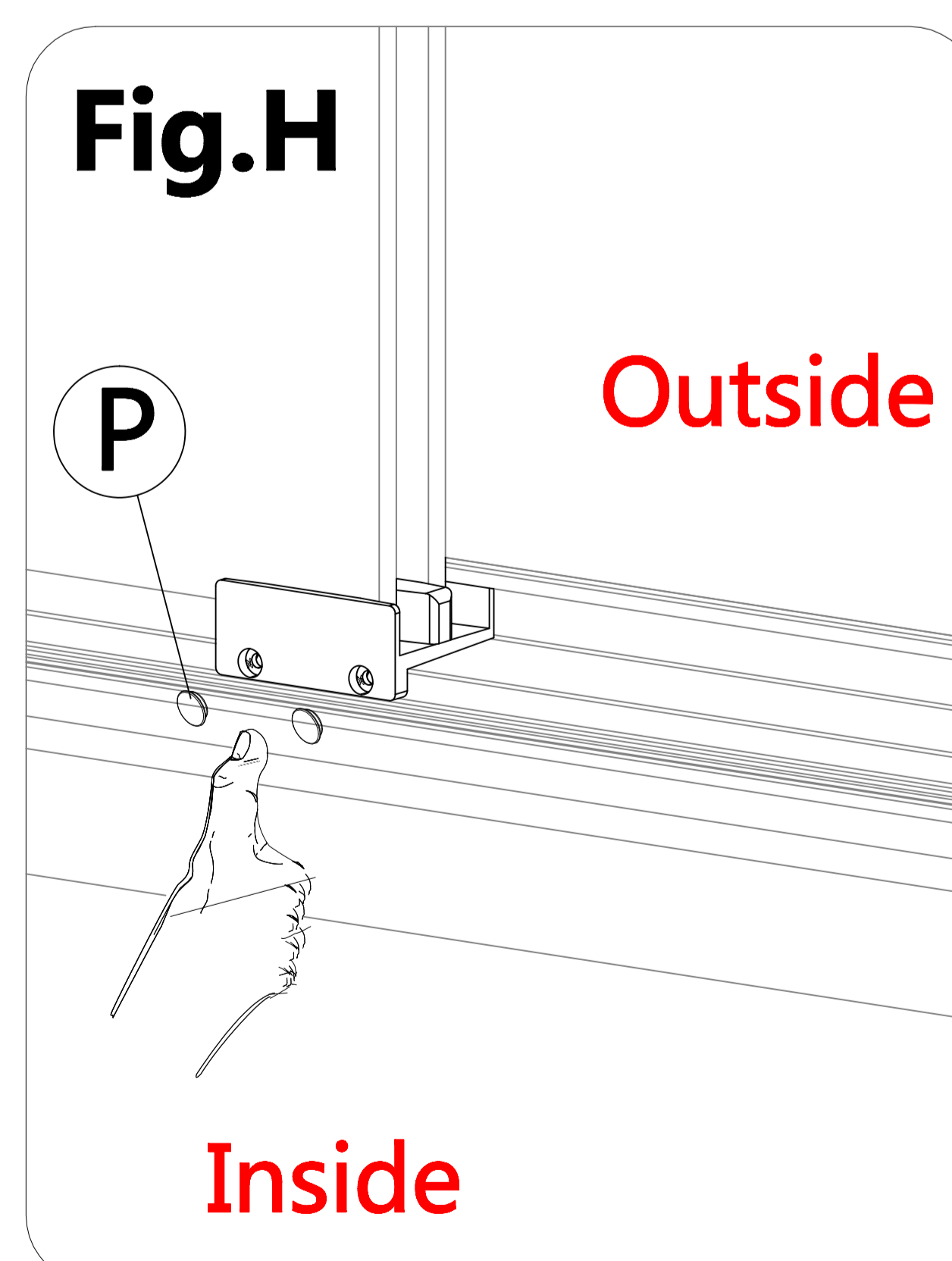


Fig.H

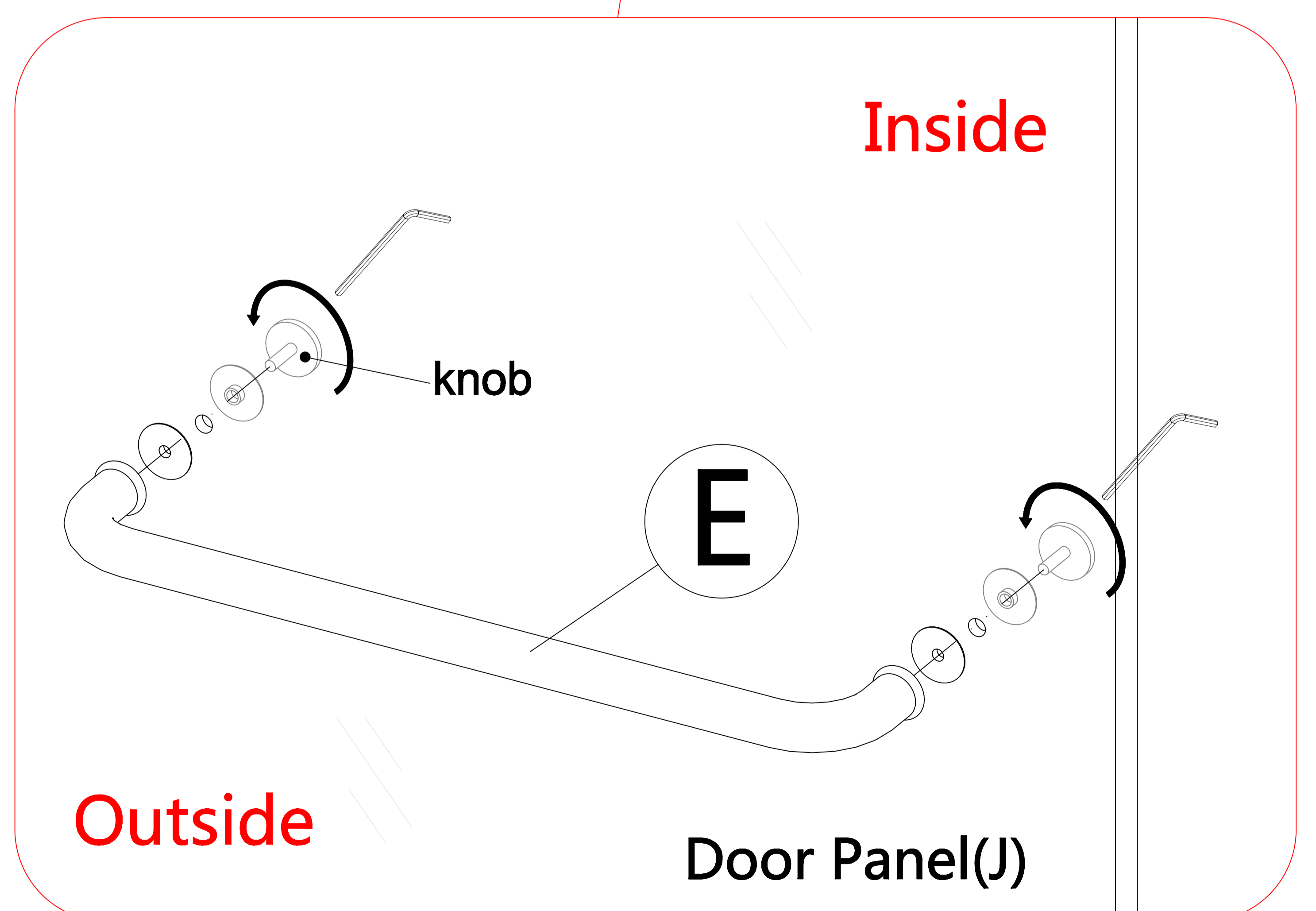
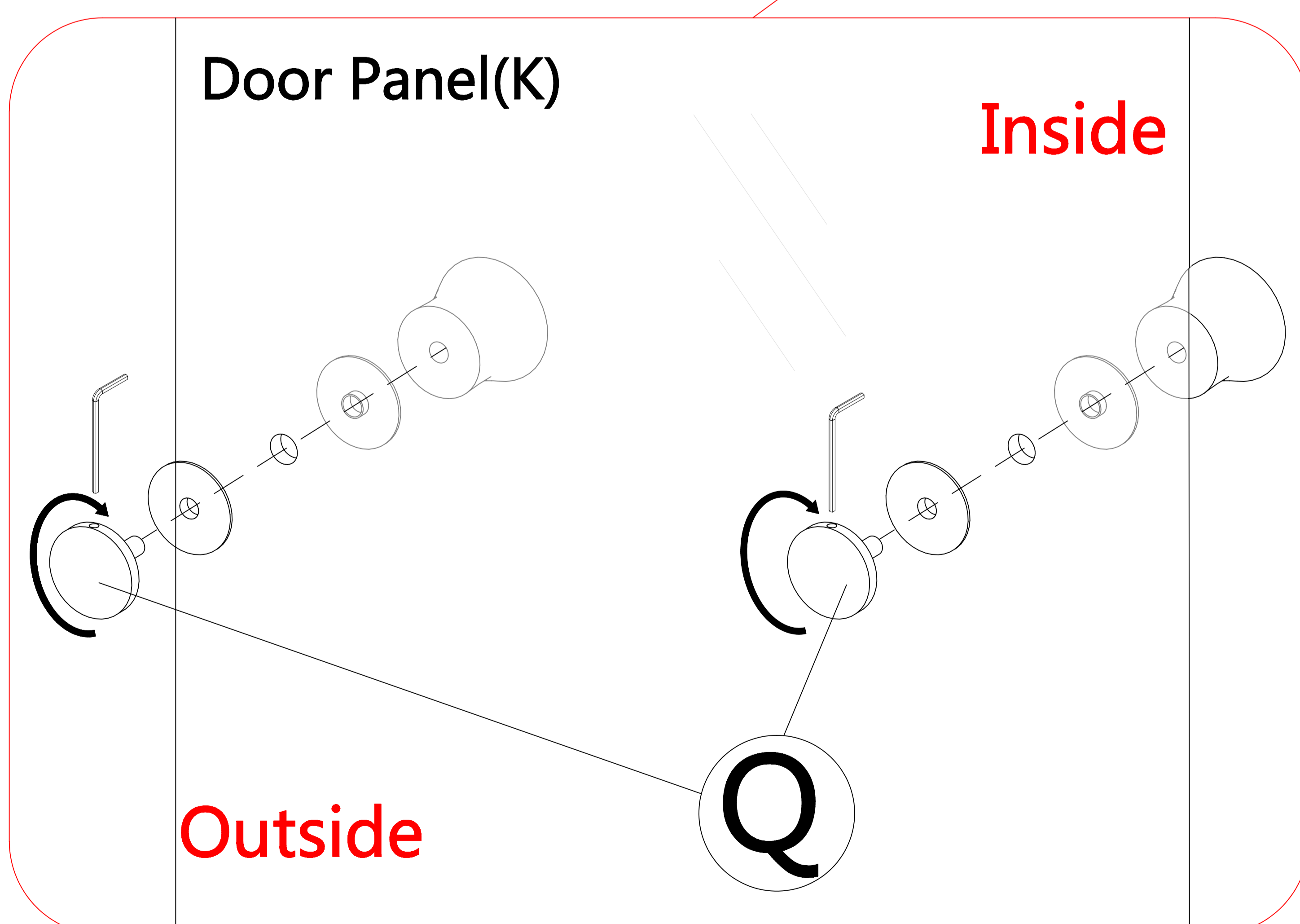
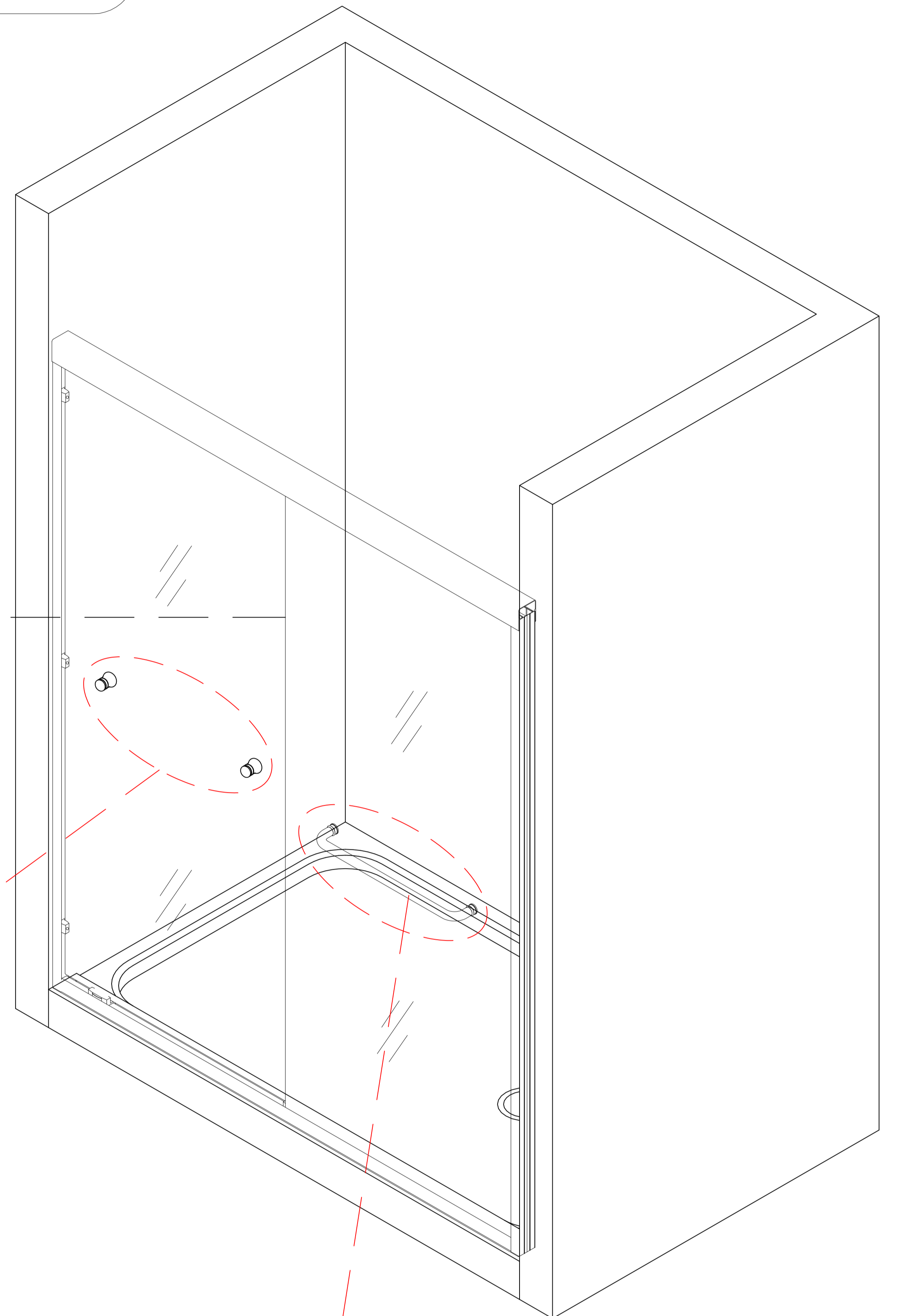
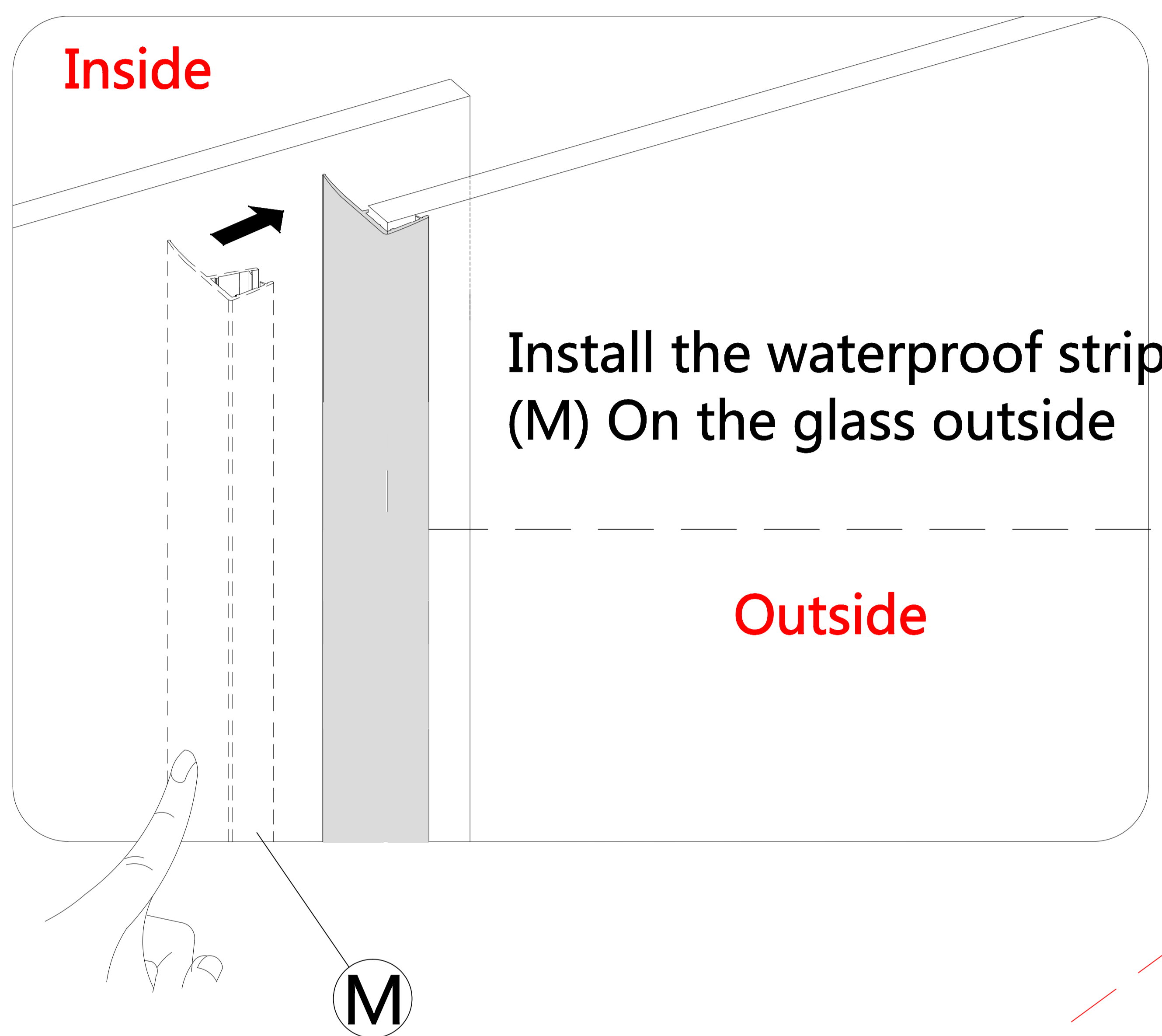


STEP 10

Handle (E) and (Q) Installation

NOTE

Attach the Handles (E) and (Q) to the door panel(J,K) . Be sure to use all of the supplied rubber gaskets to protect the glass. Pay attention to the installation direction of the handles



STEP 11

SEALING

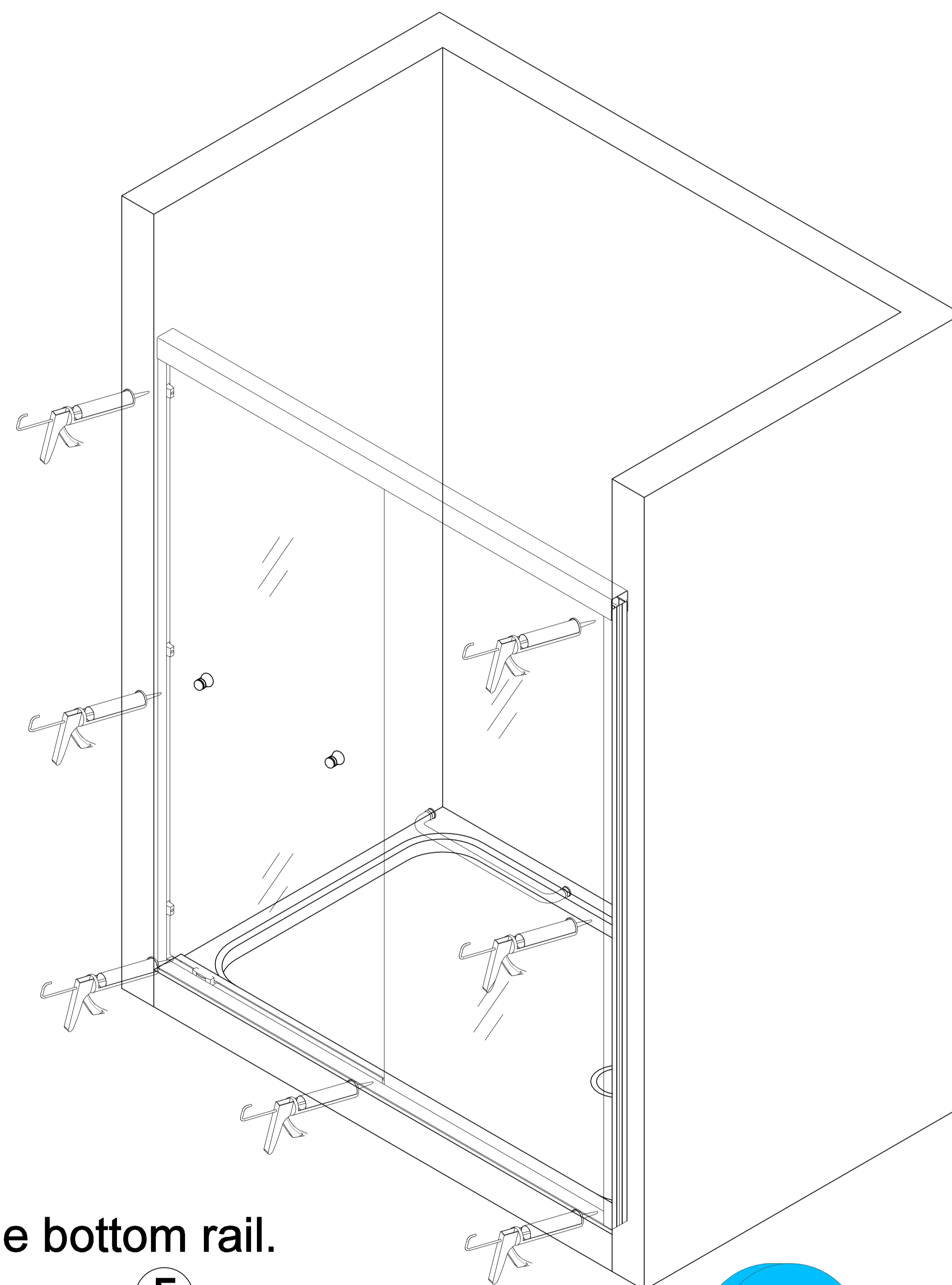
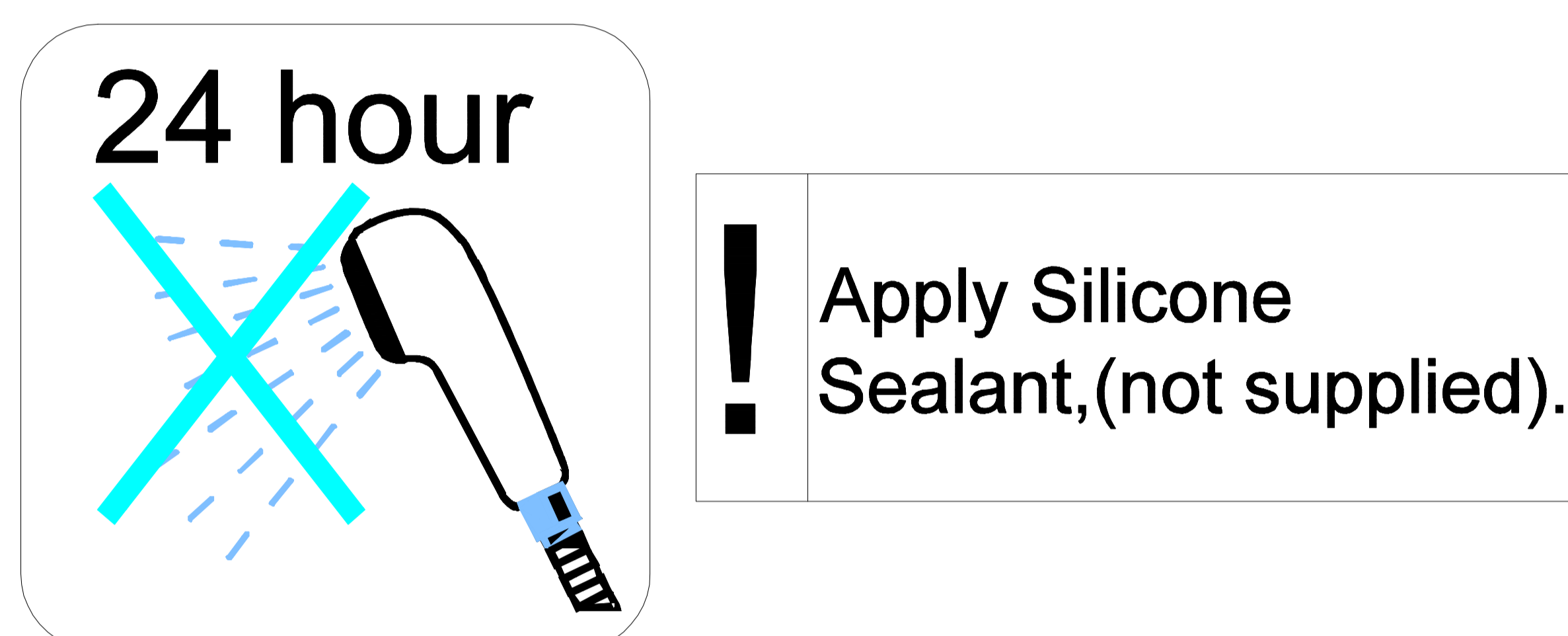
NOTE

The surfaces need to be clean and free of debris before applying glass gule.

NOTE

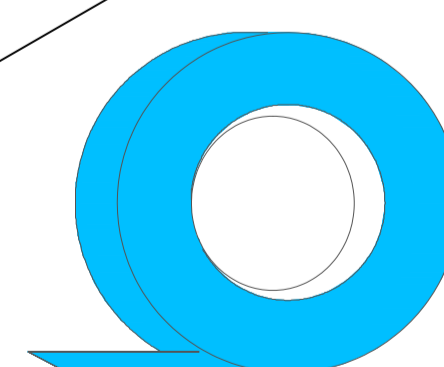
Ensure that the shower door closes tightly and opens smoothly. Apply a good quality silicone sealant along the wall Jamb(C) and Bottom Rail(F).

Allow 24 hours for the silicone to cure before using the shower.



Apply silicone around the bottom rail.

F



Use Painter's Tape to hold the Water seal tight in position while the silicone cures.