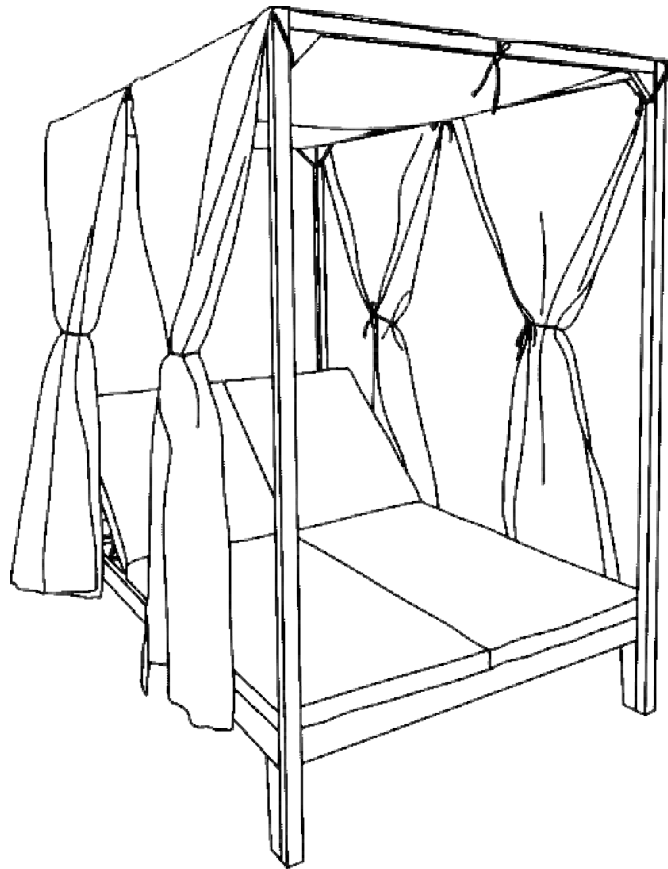


Assembly Instructions

Caution: You must read this before you proceed

Please look in the First Support Leg for hardware packs.

Sun Lounger

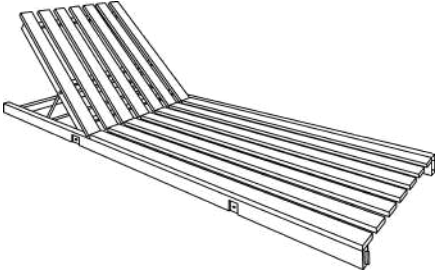
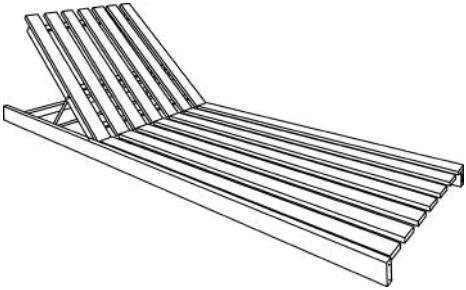
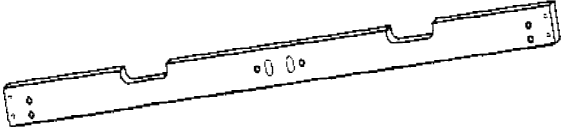
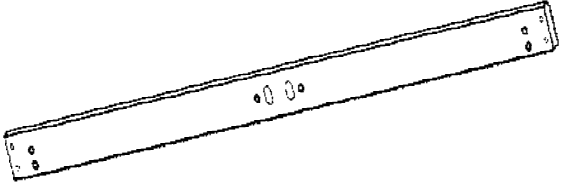







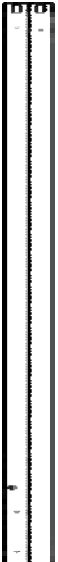
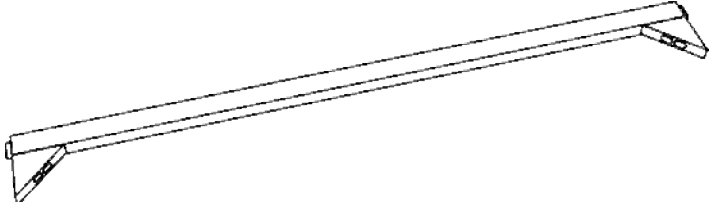
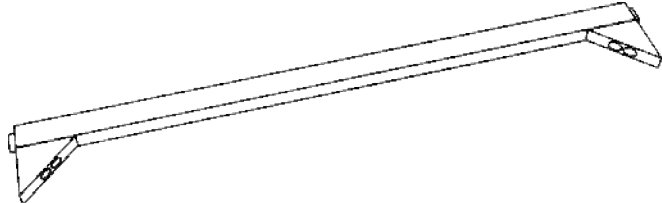
Caution: This Sun Lounger is NOT a TOY


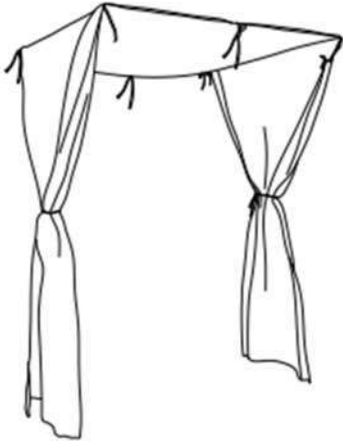
Keep your child/ children at bay during the assembly process.

Whenever lifting or moving the Sun Lounger and to prevent damage to the Sun Lounger, two adults may be needed to execute these actions.










Part List

Label	Picture	Description	QTY
A		Right Foldable Seat Panel	1
B		Left Foldable Seat Panel	1
C		Upper Seat Bar	1
D		Lower Seat Bar	1
E		First Leg	2
F		Second Leg	2
G		First Support Leg	2

H		Second Support Leg	2
I		Second Leg Bar	2
J		First Leg Bar	2
K		Long Top Bar	2
L		Short Top Bar	2

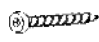

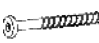
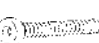
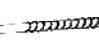

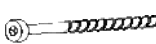

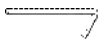
M		Cushion	1
N		Curtain	2

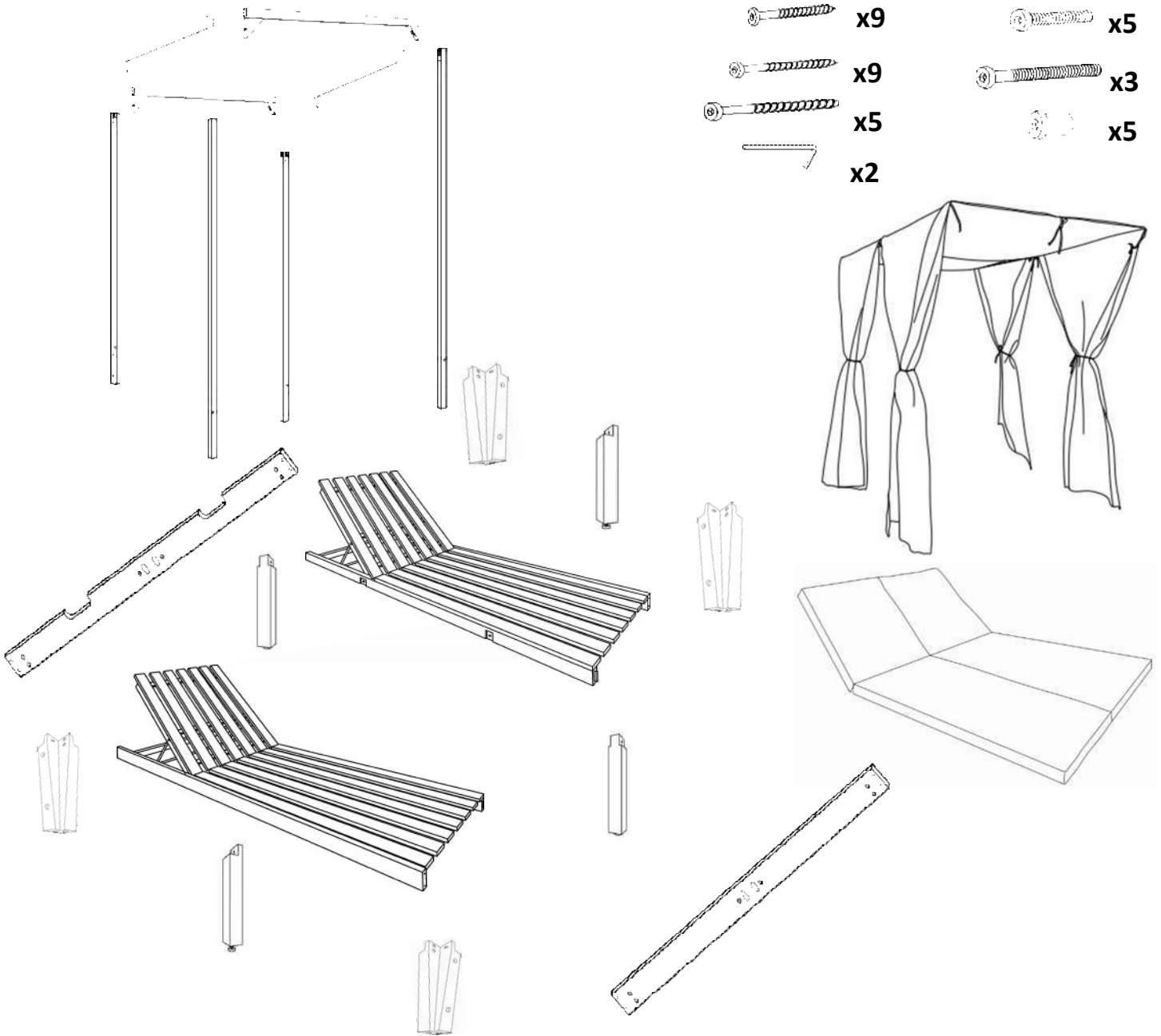
Hardware

Label	Picture	Description	QTY
①		Bolt (M6x30mm)	15
②		Bolt (M6x45mm)	5
③		Bolt (M6x65mm)	3
④		Sleeve Nut (M6x15mm)	5
⑤		Screw (M6x50mm)	9
⑥		Screw (M6x65mm)	9
⑦		Screw (M6x80mm)	9
⑧		Screw (M6x100mm)	5
⑨		Allen Wrench	2

Assembly Preparation

Before Beginning Assembly:

- | | | | |
|---|----|---|-----|
|  | x9 |  | x15 |
|  | x9 |  | x5 |
|  | x9 |  | x3 |
|  | x5 |  | x5 |
|  | x2 | | |



- Read instructions, cover to cover-



- Have 2 adults on hand for assembly-



- Do not assemble on flooring or carpet-



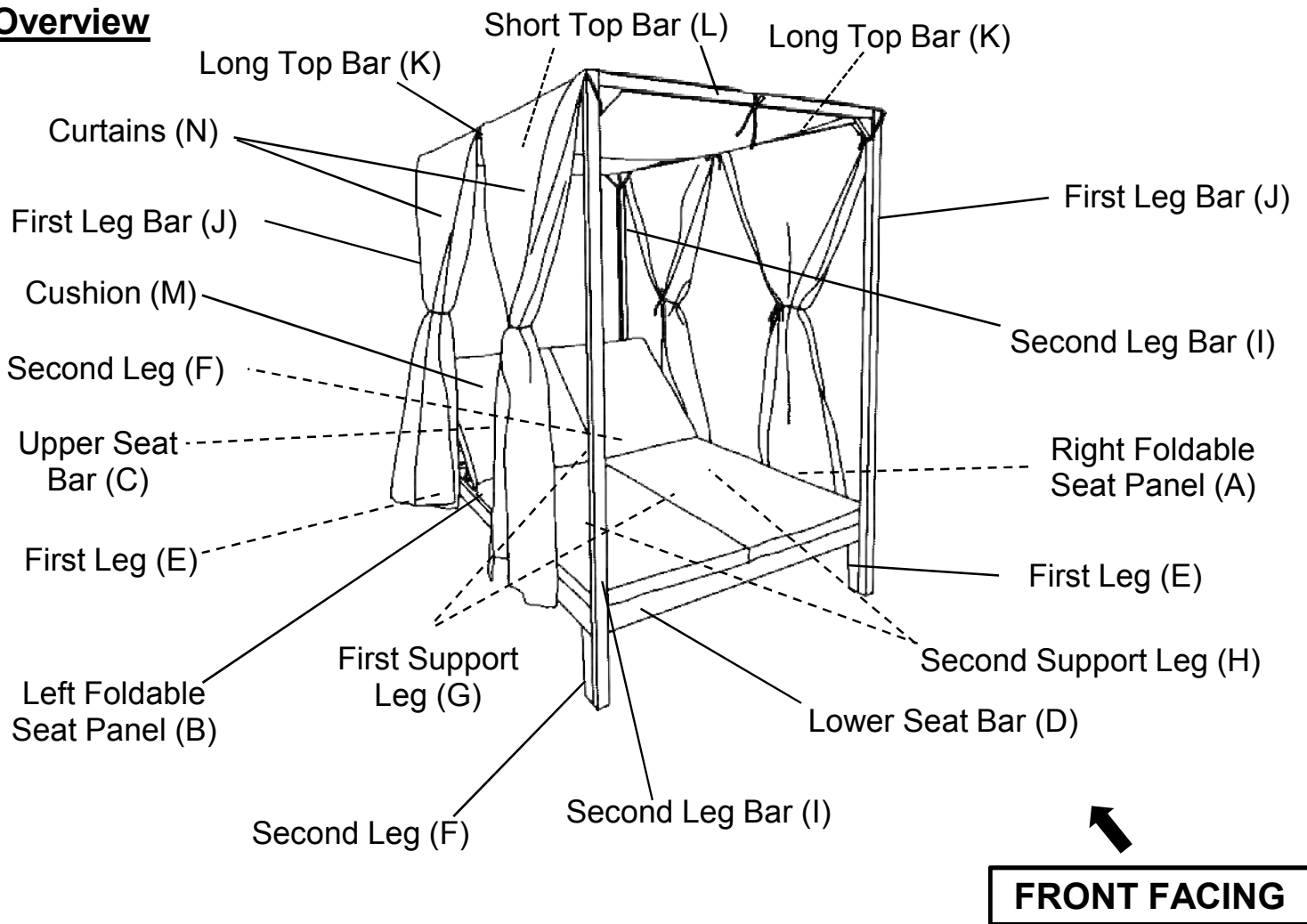
- Assemble on a clean non-marring surface (packing foam)-



- Save all packaging until finished-

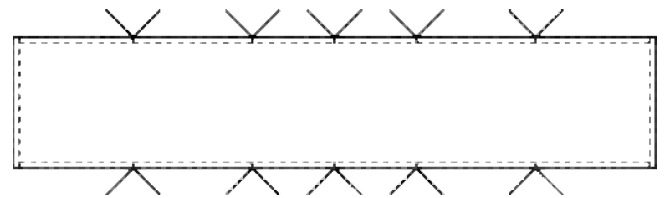
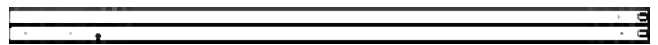
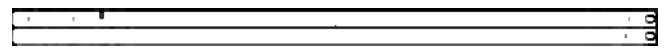
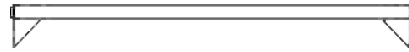
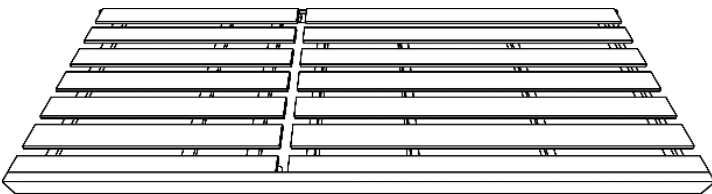
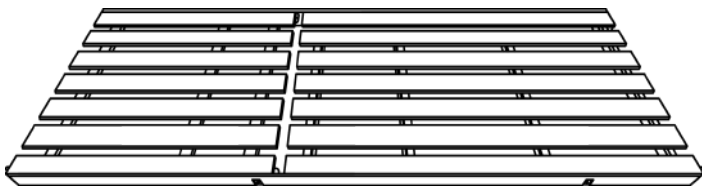
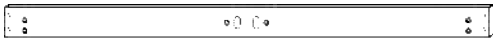
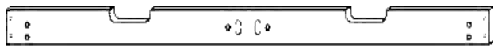
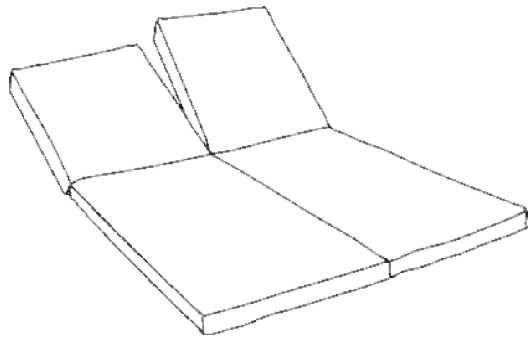
Assembly Steps

Overview



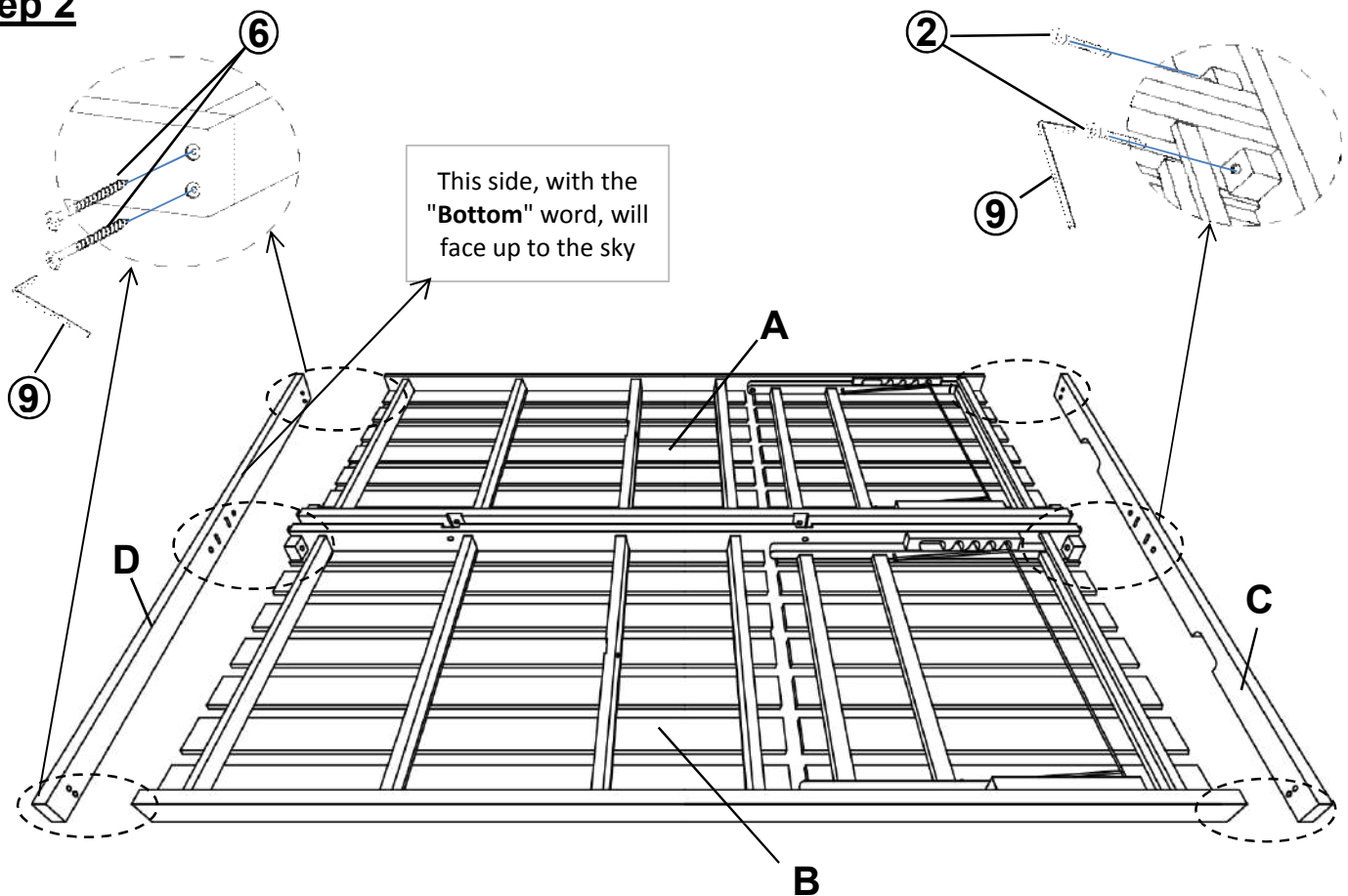
This Sun Lounger has multiple parts and may require up to 70 minutes to assemble. To give you an overview of the Sun Lounger parts, the above picture is to help you put the various parts into perspective. Please read through the instructions below to familiarise yourself with the parts and steps before assembly.

Step 1



Unpack and place all parts on a clean, non-marring surface.

Step 2



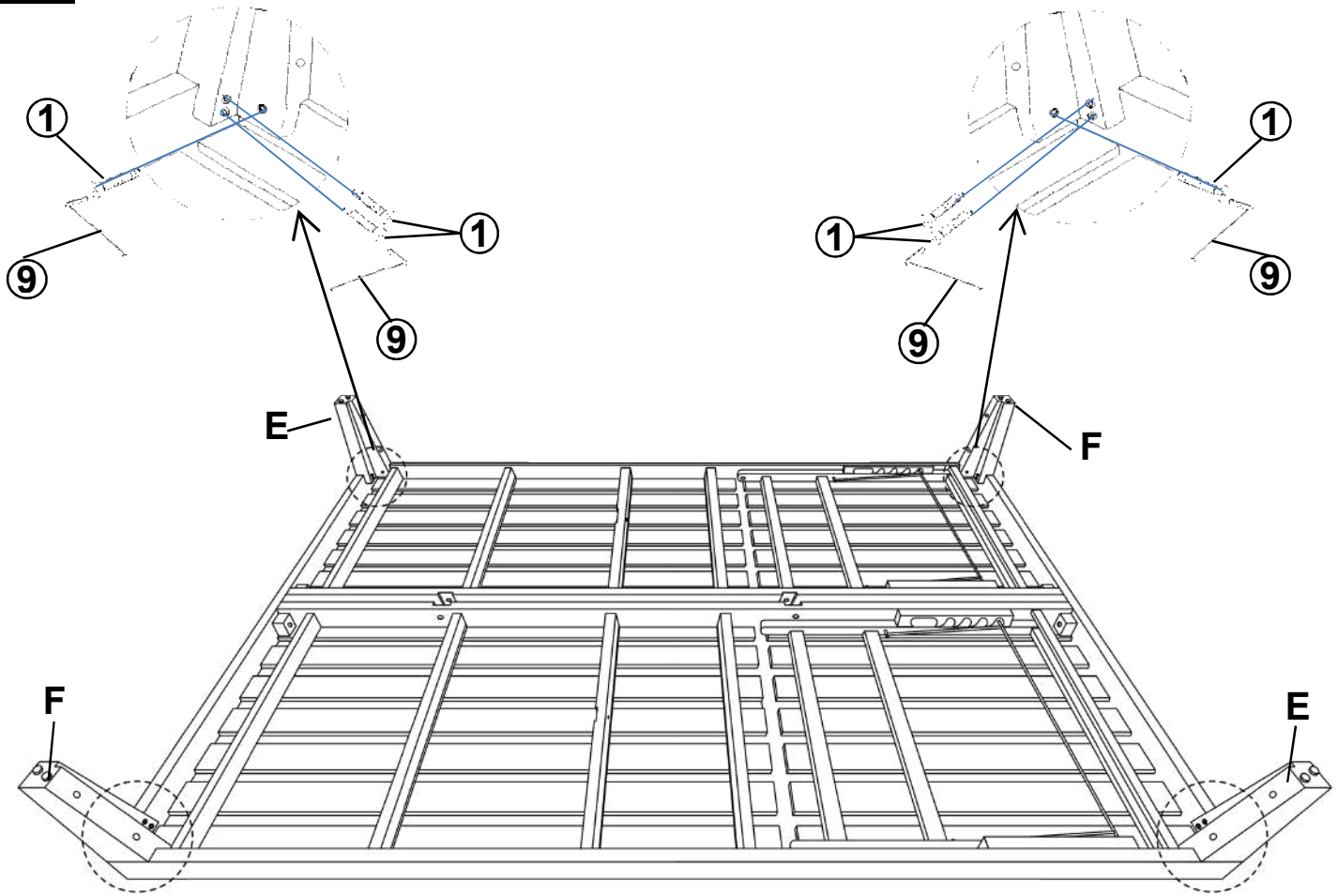
Place the Right Foldable Seat Panel (A), and the Left Foldable Seat Panel (B) face down onto a clean, non-marring surface.

Attach the Upper Seat Bar (C) and the Lower Seat Bar (D) to the Right Foldable Seat Panel (A) and Left Foldable Seat Panel (B) by using the Bolts (2), Screws (6) and the Allen Wrench (9) as shown above.

Do not fully tighten the Bolts and Screws

Note: in this step, the side of the Lower Seat Bar (D) with the "Bottom" word will face upwards.

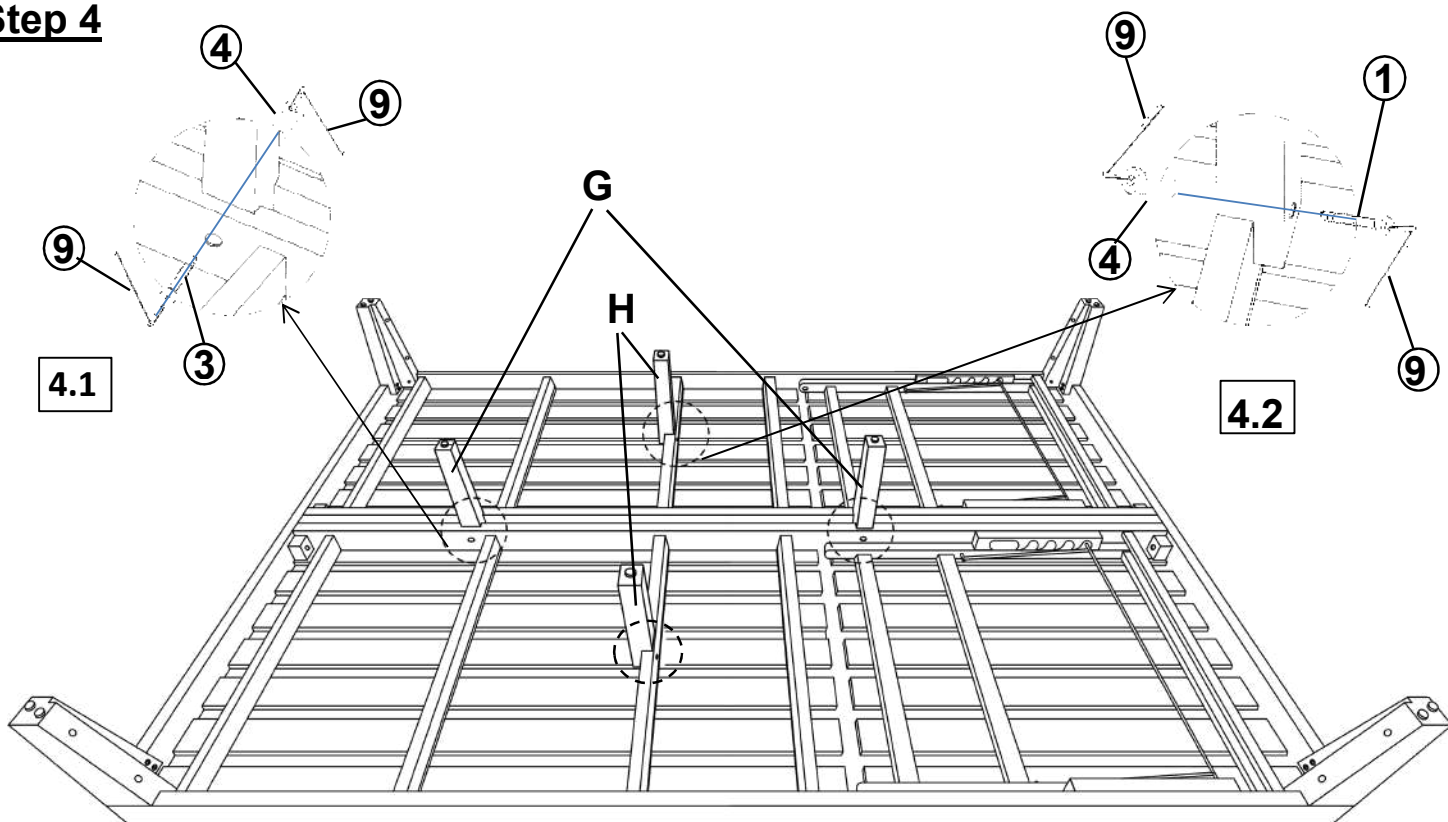
Step 3



Attach the First Legs (E), and the Second Legs (F) to the assembled part in step 2 with the Bolts (1) and the Allen Wrench (9) as shown above.

Do not fully tighten the Bolts

Step 4

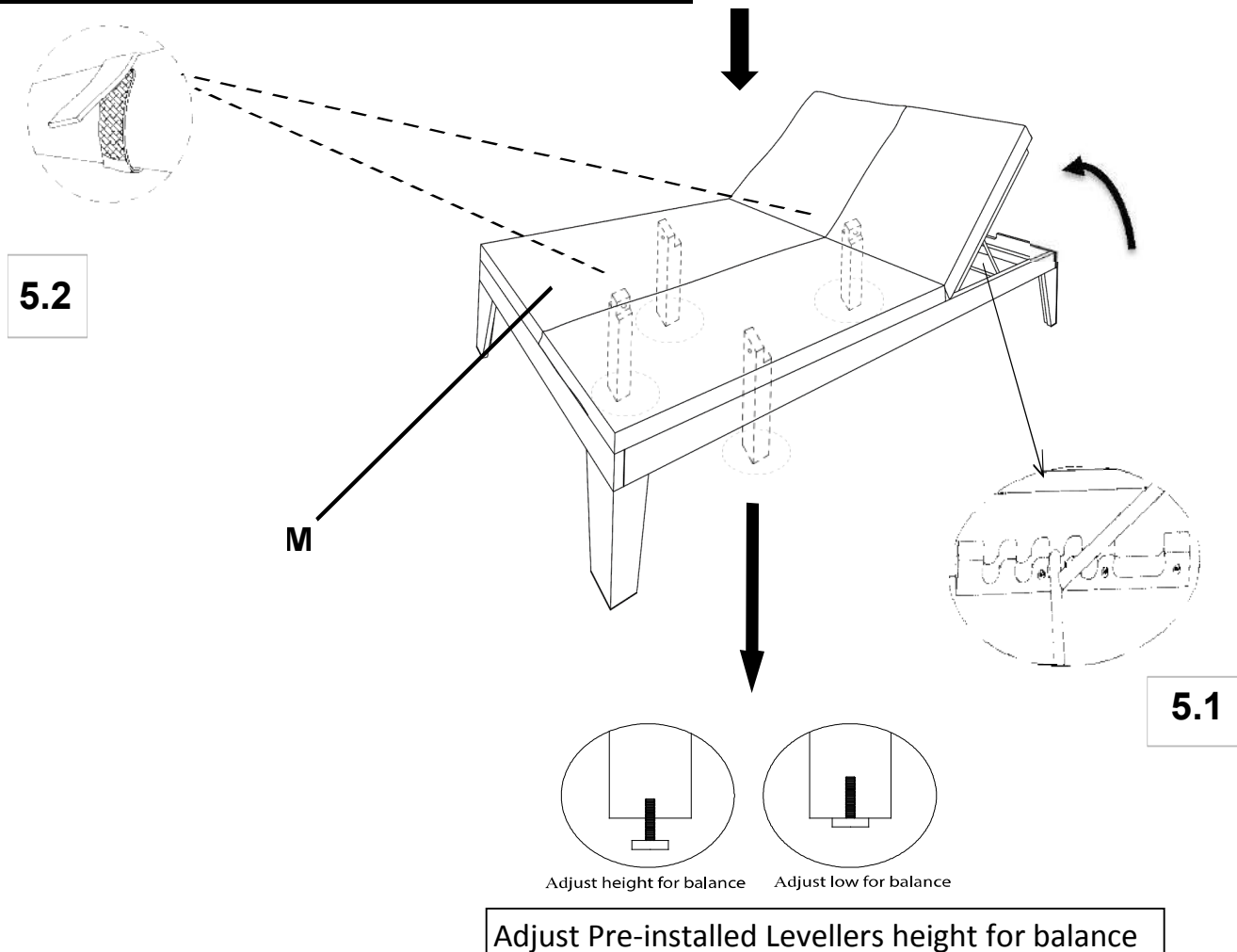


4.1. Attach the First Support Leg (G) to the assembled part in Step 3 by using the Bolts (③), Sleeve Nuts (④) and the Allen Wrench (⑨) as shown above.

4.2. Attach the Second Support Leg (H) to the assembled part in Step 3 by using the Bolts (①), Sleeve Nuts (④) and the Allen Wrench (⑨) as shown above.

Do not fully tighten the Bolts

Function 1: Sun Lounger without curtain



5.1. With assistance from your adult partners, flip up the assembled part in Step 4 and lift the headrest part of it to the desired position as shown above.

5.2. Put the Cushion (M) onto the Sun Lounger, then tie all the strings of the Cushion (M) to the Right Foldable Seat Panel (A), and the Left Foldable Seat Panel (B) as shown above.

Place the Sun Lounger on a **LEVEL SURFACE**.

Inspect it and make sure all parts are adequately connected.

Gently and gracefully, sit onto the Sun Lounger.

This will help align all the parts at all joint areas.

Then get off the Sun Lounger and proceed to tighten the Bolts and Screws in a sequential manner.

When tightening the Bolts and Screws, tighten sequentially.

DO NOT tighten any Bolts and Screws fully and then move on towards the next one.

If there are any wobbles after tightening, loosen the Bolts/Screws and execute this same process.

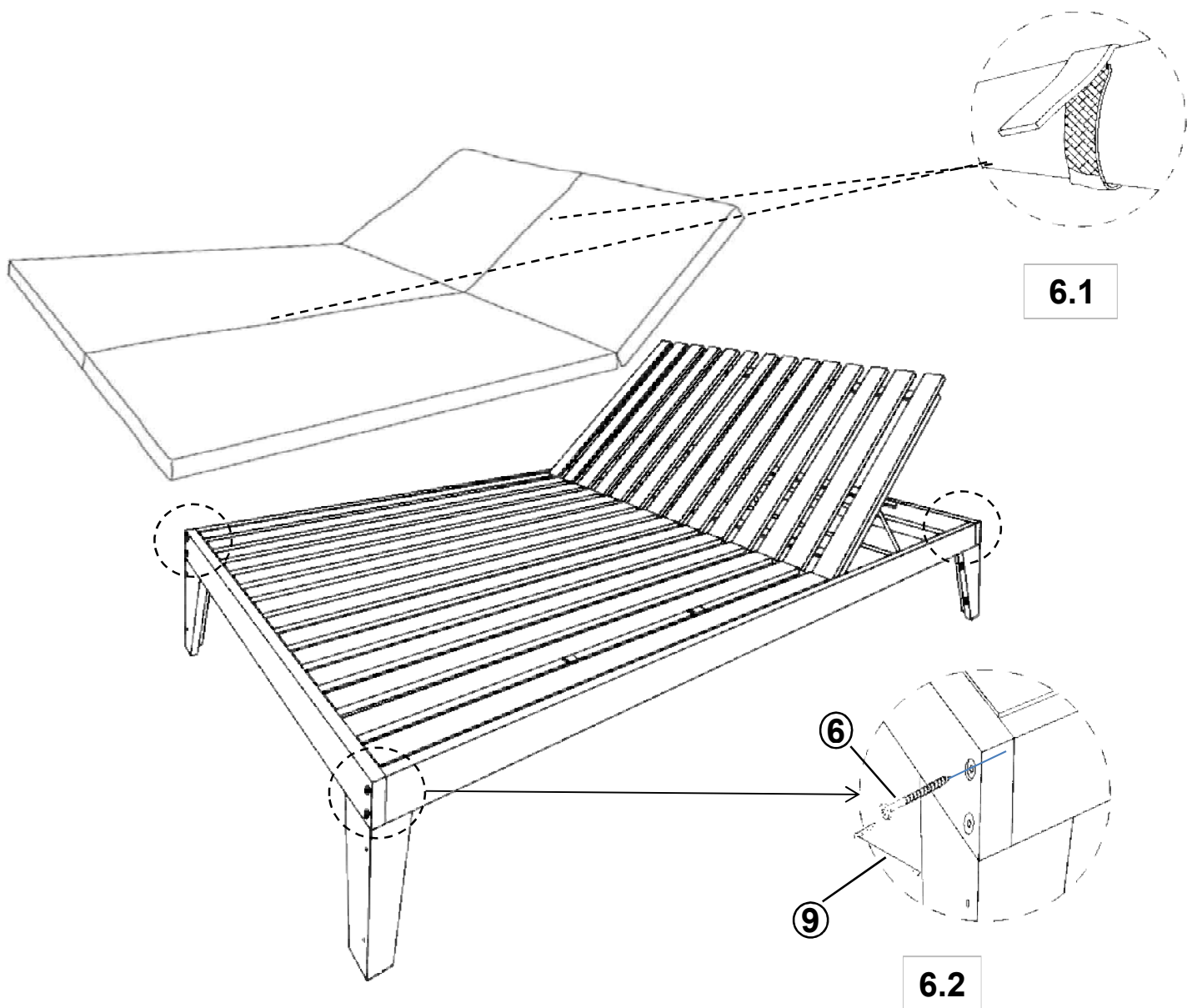
Adjust the Levellers at all 4 Support Legs until the Sun Lounger is level with the ground.

To adjust the Levellers, get assistance from an adult partner to lift/lean and hold the Sun Lounger while you are working.

The Sun Lounger is ready to be used.

This Sun Lounger can only be used on a flat, level surface.

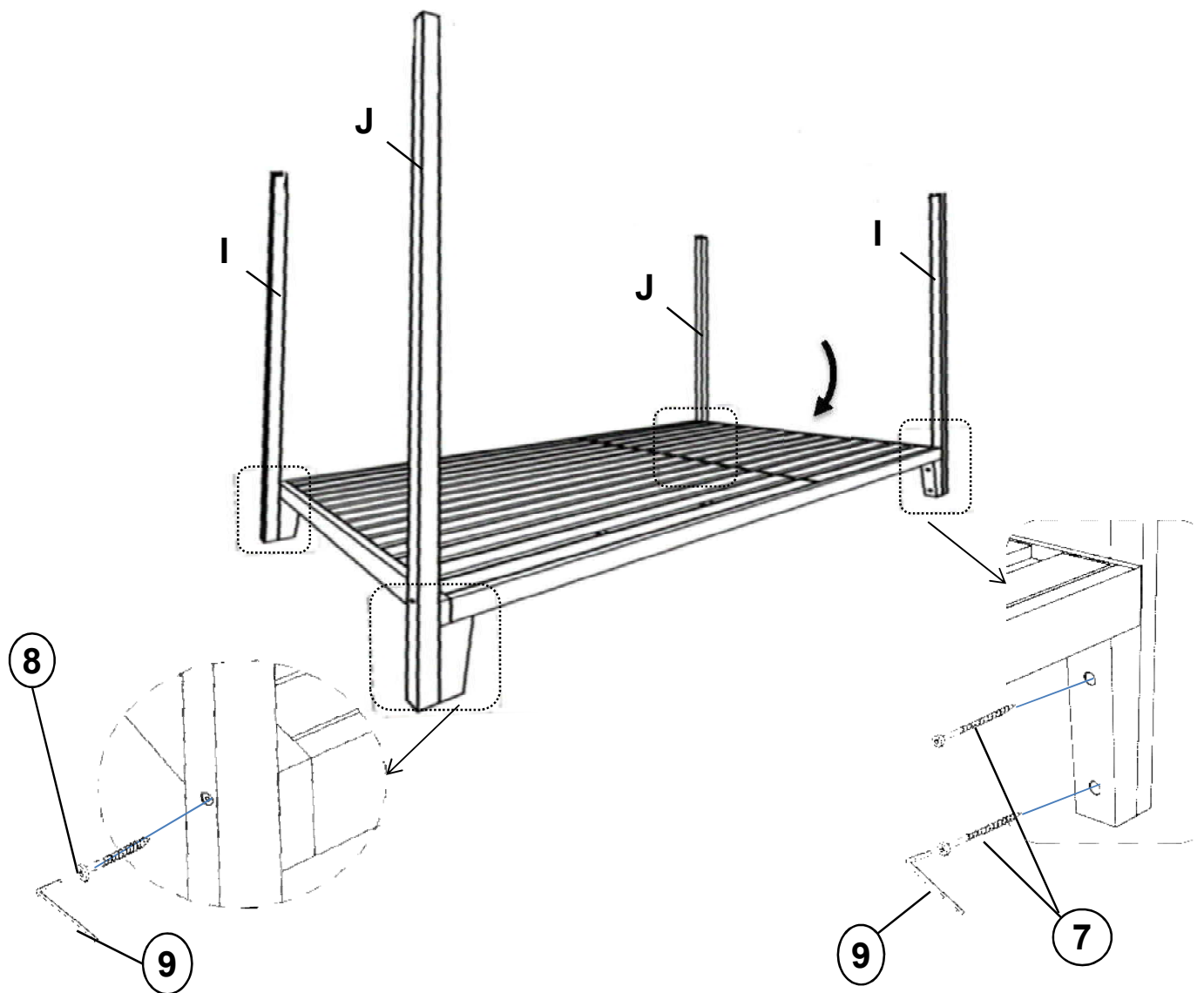
Function 2: Sun Lounger with Curtain



6.1. Untie all the strings of the Cushion (M) from the Right Foldable Seat Panel (A), and the Left Foldable Seat Panel (B), then remove the Cushion (M) out of the Sun Lounger as shown above.

6.2. Remove the Screw (6) at the upper hole of the Upper Seat Bar (C) and the Lower Seat Bar (D) by using the Allen Wrench (9) as shown above.

Step 7

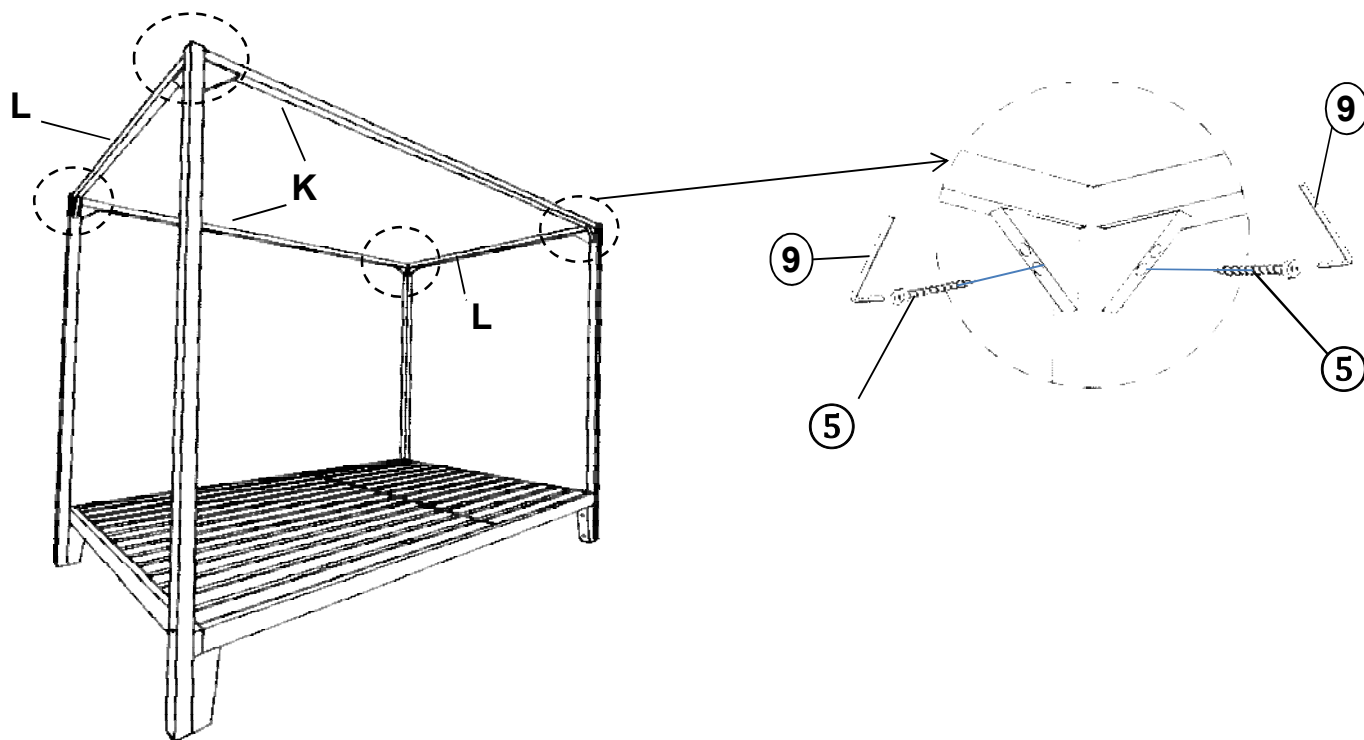


With assistance from your adult partners, lower the headrest part of the assembled part in Step 7.

Attach the Second Leg Bar (I) and the First Leg Bar (J) to the assembled part in step 6 by using the Screws (8) and Screws (7) and the Allen Wrench (9) as shown above

Do not fully tighten the Screws

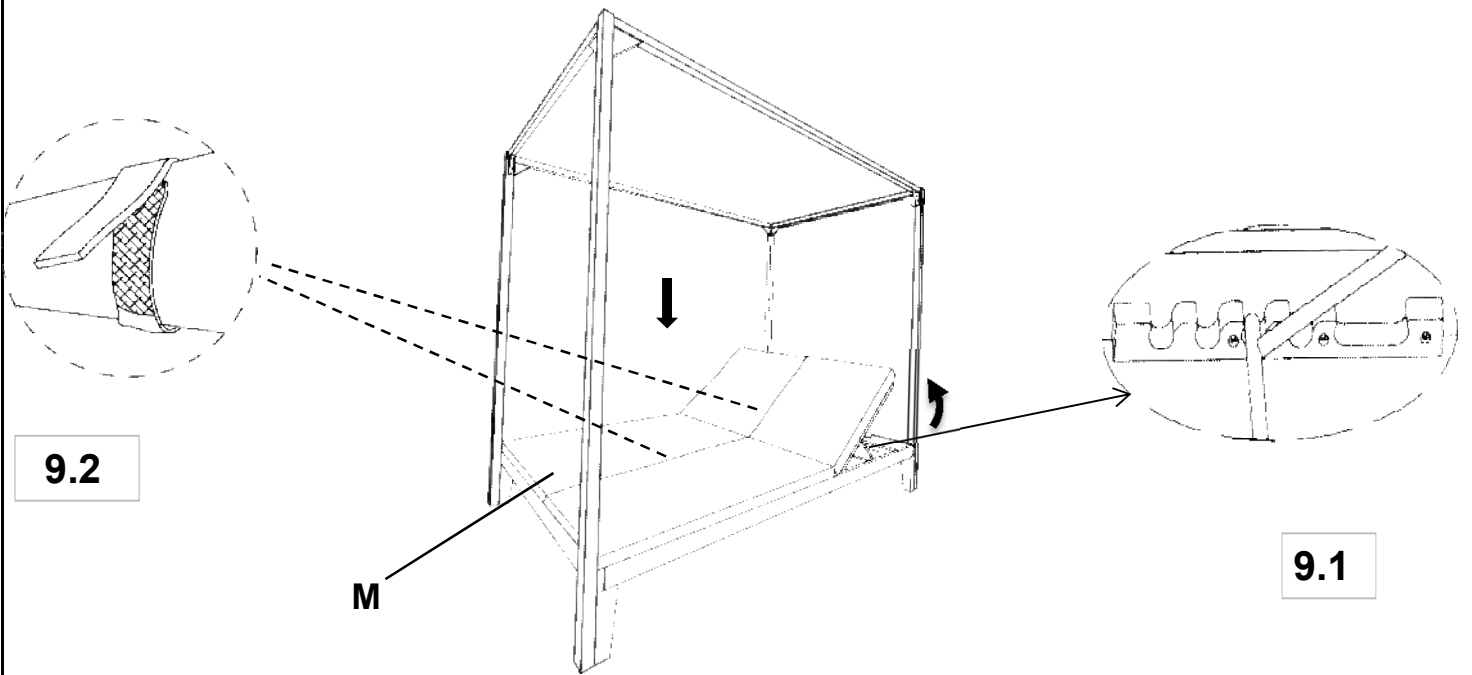
Step 8



By taking the Step Ladders or the A-frame Ladders as well as with the assistance from your adult partner, attach the Long Top Bar (K) and the Short Top Bar (L) to the assembled part in Step 7 by using the Screws (⑤) and the Allen Wrench (⑨) as shown above

Do not fully tighten the Screws.

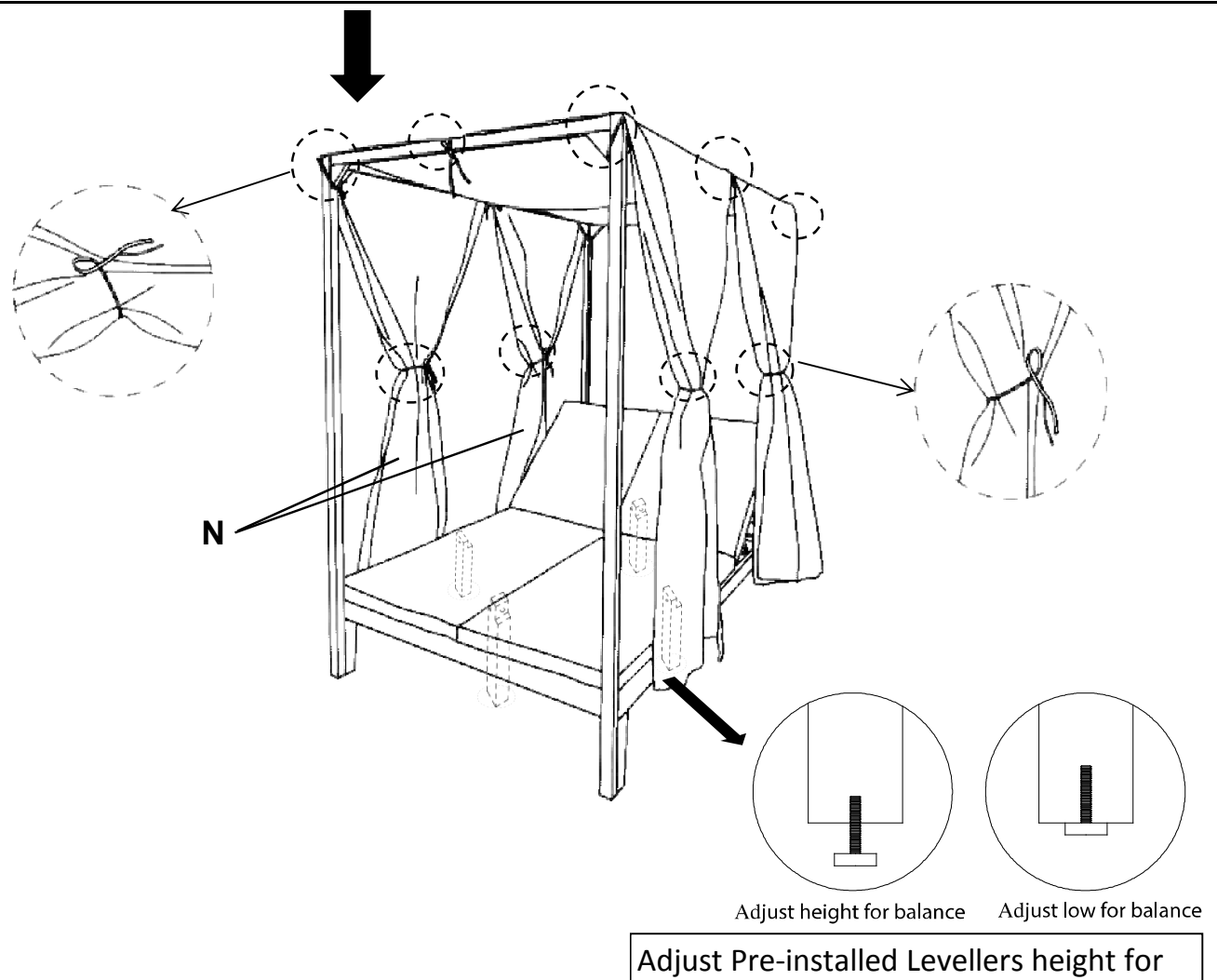
Step 9



9.1. With assistance from your adult partners, lift the headrest part of the Assembled part in Step 8 to the desired position as shown above.

9.2. Put the Cushion (M) onto the Sun Lounger, then tie all the strings of the Cushion (M) to the Right Foldable Seat Panel (A), and the Left Foldable Seat Panel (B) as shown above.

Step 10



By taking a Step Ladder or an A-frame Ladder as well as with the assistance from your adult partner, put the two curtains (N) onto the Sun Lounger. Tie all the strings of the Curtain (N) as shown above.

Place the Sun Lounger on a LEVEL SURFACE.

Inspect it and make sure all parts are adequately connected.

Gently and gracefully, sit onto the Sun Lounger.

This will help align all the parts at all joint areas.

Then get off the Sun Lounger and proceed to tighten the Bolts and Screws in a sequential manner.

When tightening the Bolts and Screws, tighten sequentially.

DO NOT tighten any Bolts and Screws fully and then move on towards the next one.

If there are any wobbles after tightening, loosen the Bolts/Screws and execute this same process.

Adjust the Levellers at all 4 Support Legs until the Sun Lounger is level with the ground.

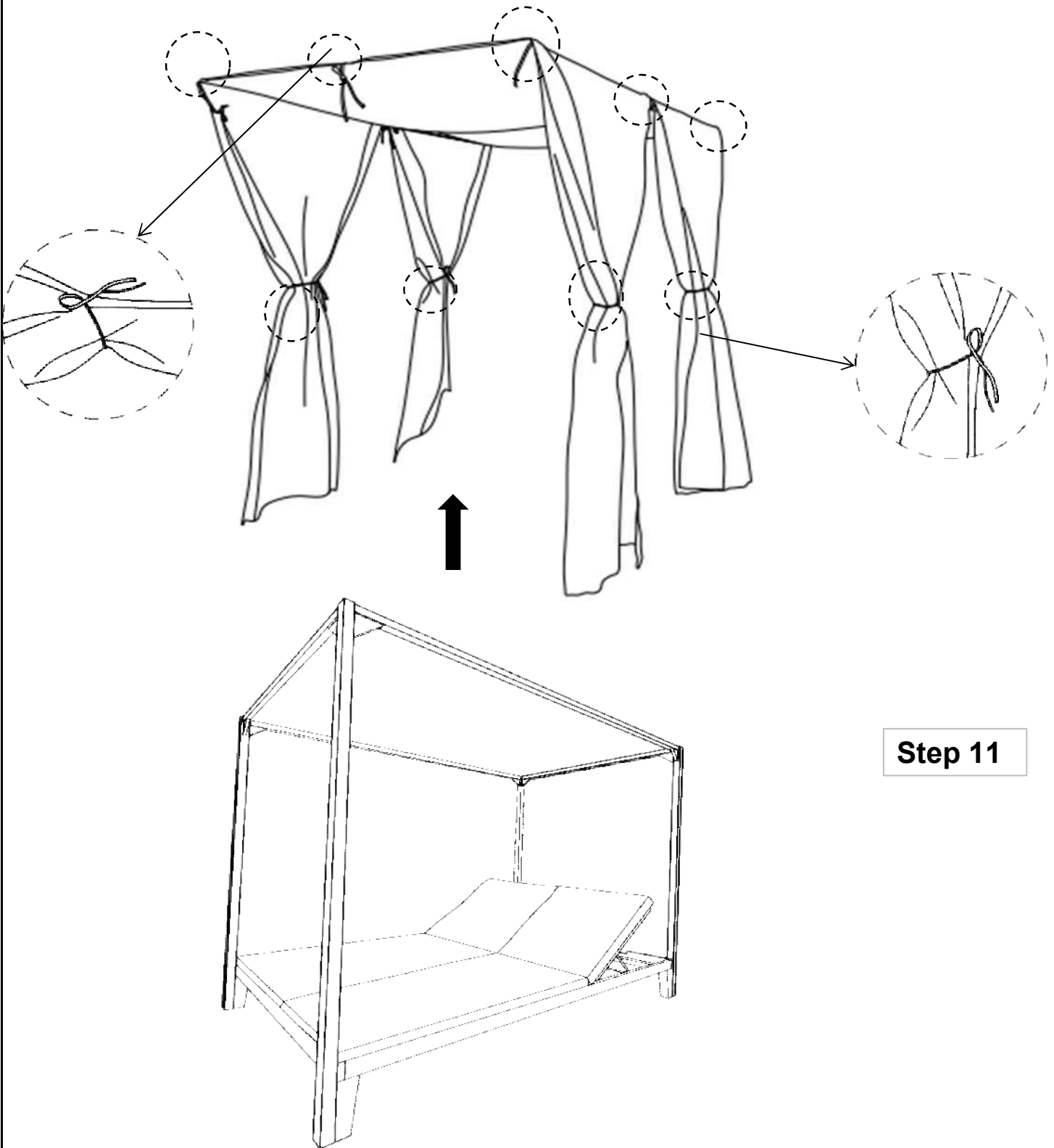
To adjust the Levellers, get assistance from an adult partner to lift/lean and hold the Sun Lounger while you are working.

The Sun Lounger is ready to be used.

This Sun Lounger can only be used on a flat, level surface.

Removing the curtain for using as a Sun Lounger without Curtain (Function

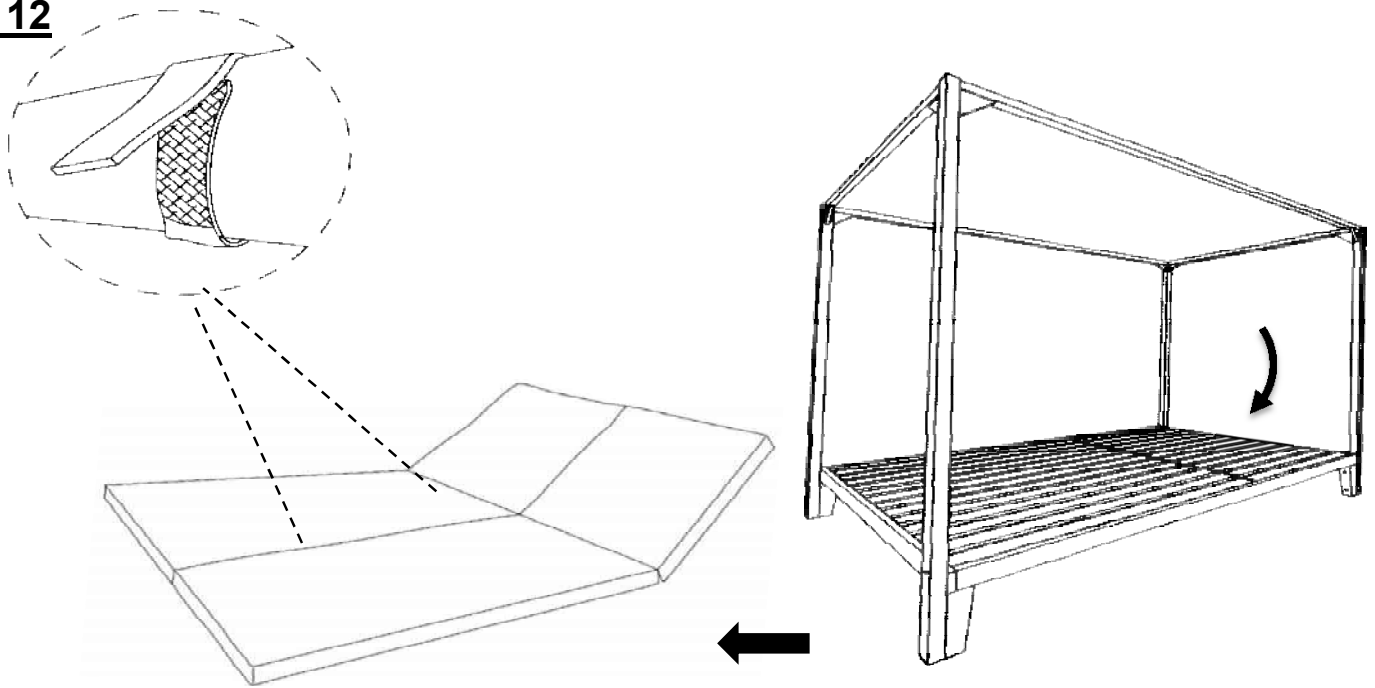
1)



Step 11

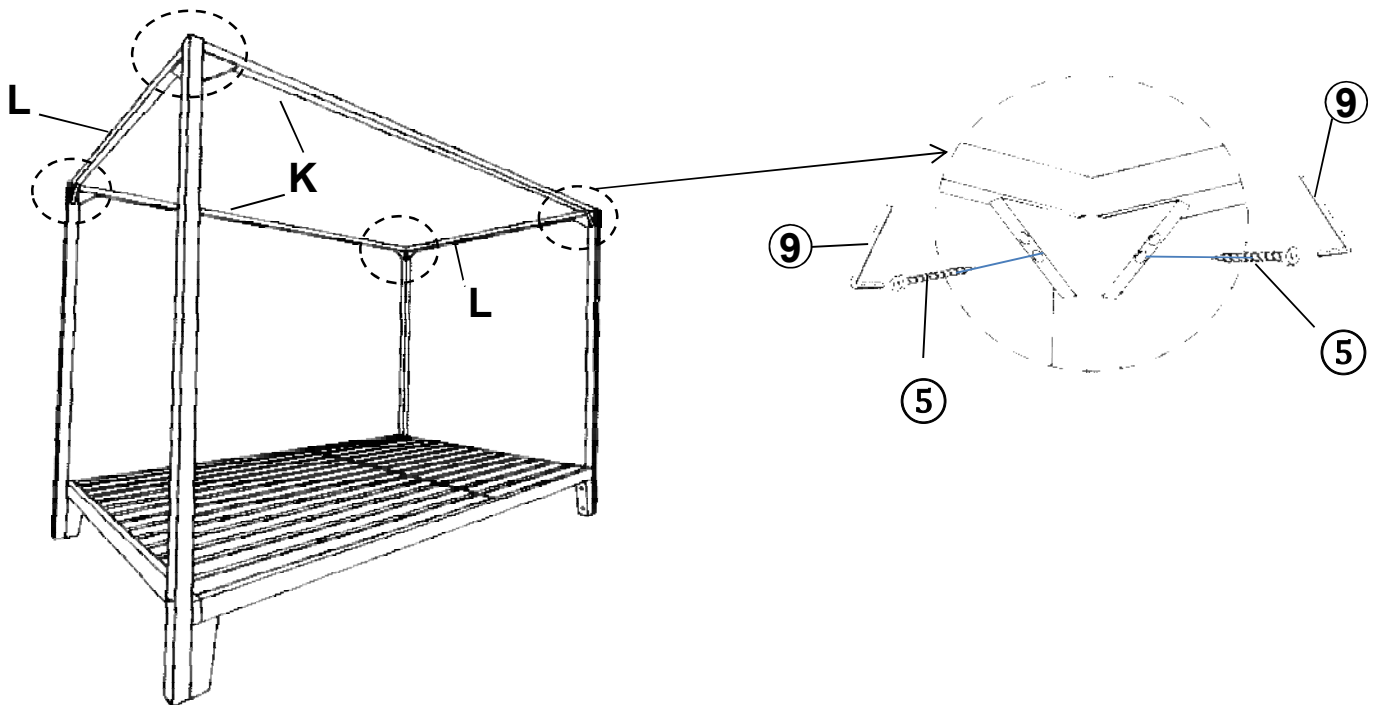
By taking a Step Ladder or an A-frame Ladder as well as with assistance from your adult partner, untie all the strings of the Curtain (N) and take the Curtain (N) off of the Sun Lounger as shown above.

Step 12



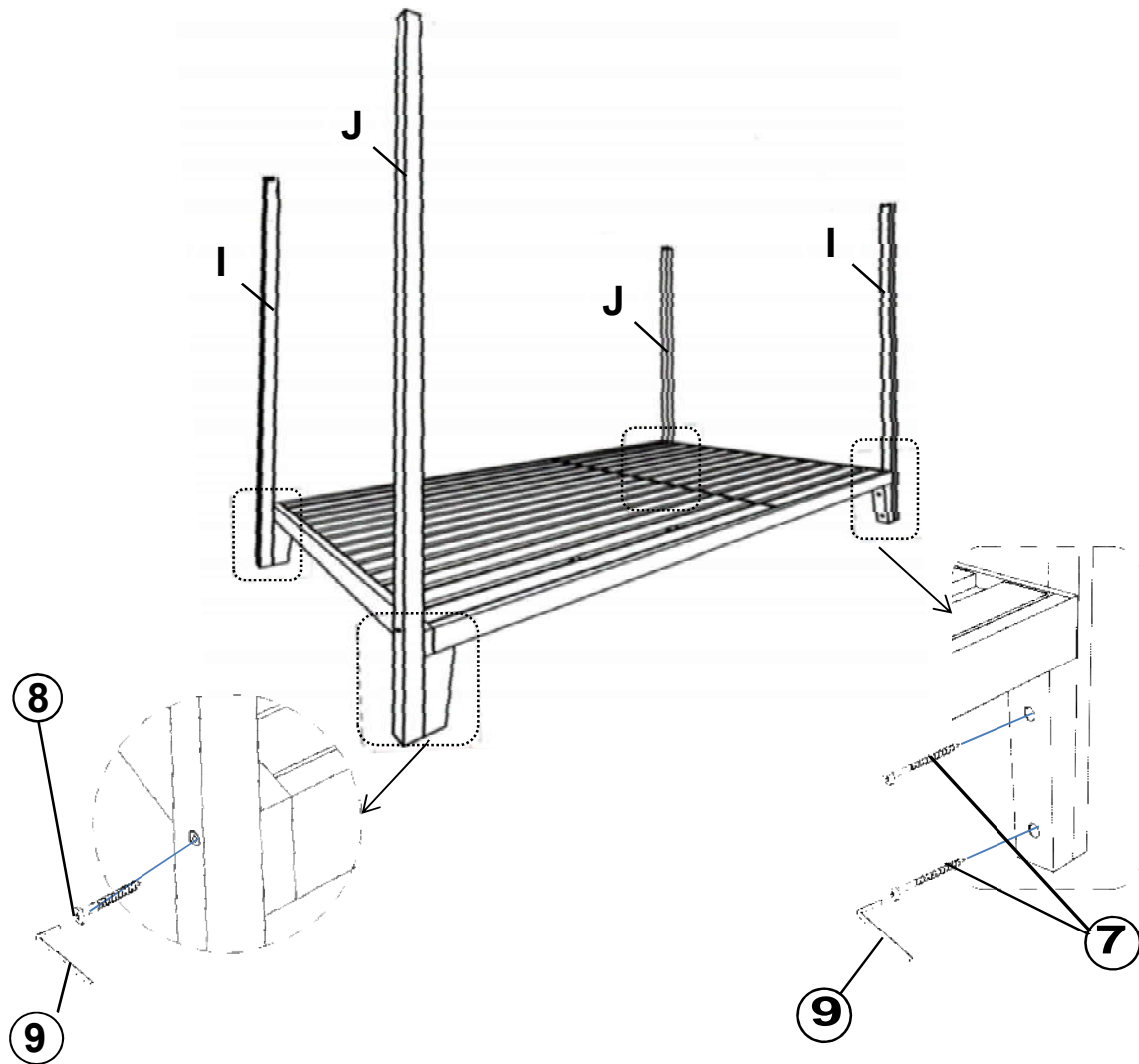
With assistance from your adult partners, lower the headrest part of the Sun Lounger, then untie all the strings of the Cushion (M) from the Right Foldable Seat Panel (A), and the Left Foldable Seat Panel (B) before you take the Cushion (M) off of the Sun Lounger as shown above.

Step 13



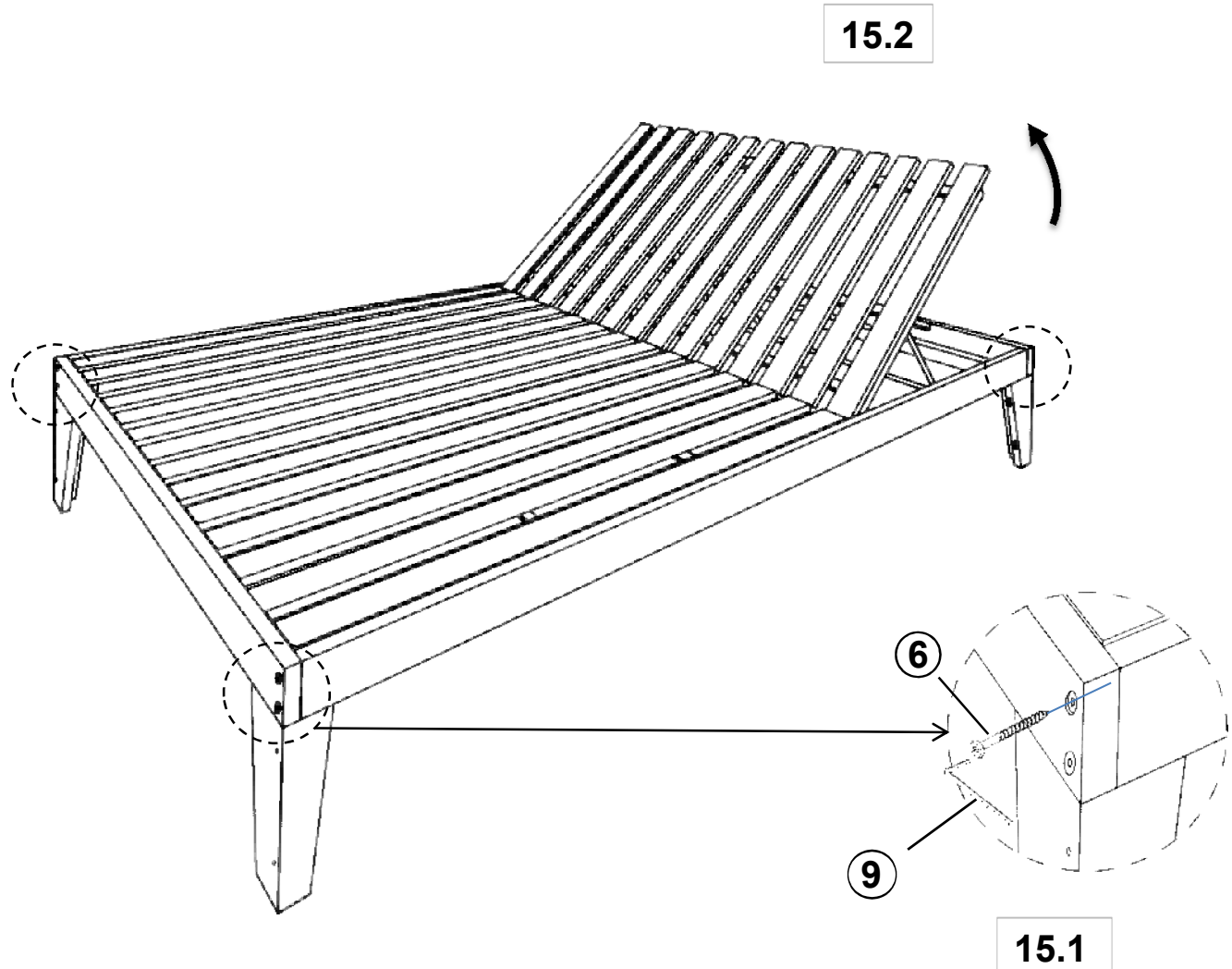
By taking a Step Ladder or an A-frame Ladder as well as with assistance from your adult partner, take the Long Top Bar (K) and the Short Top Bar (L) off of the assembled part in step 12 by using the Allen Wrench (9) to remove the Screws (5) as shown above

Step 14



With assistance from your adult partners, take the Second Leg Bars (I) and the First Leg Bars (J) out of the assembled part in Step 13 by using the Allen Wrench (9) to remove the Screws (8) and Screws (7) as shown above

Step 15

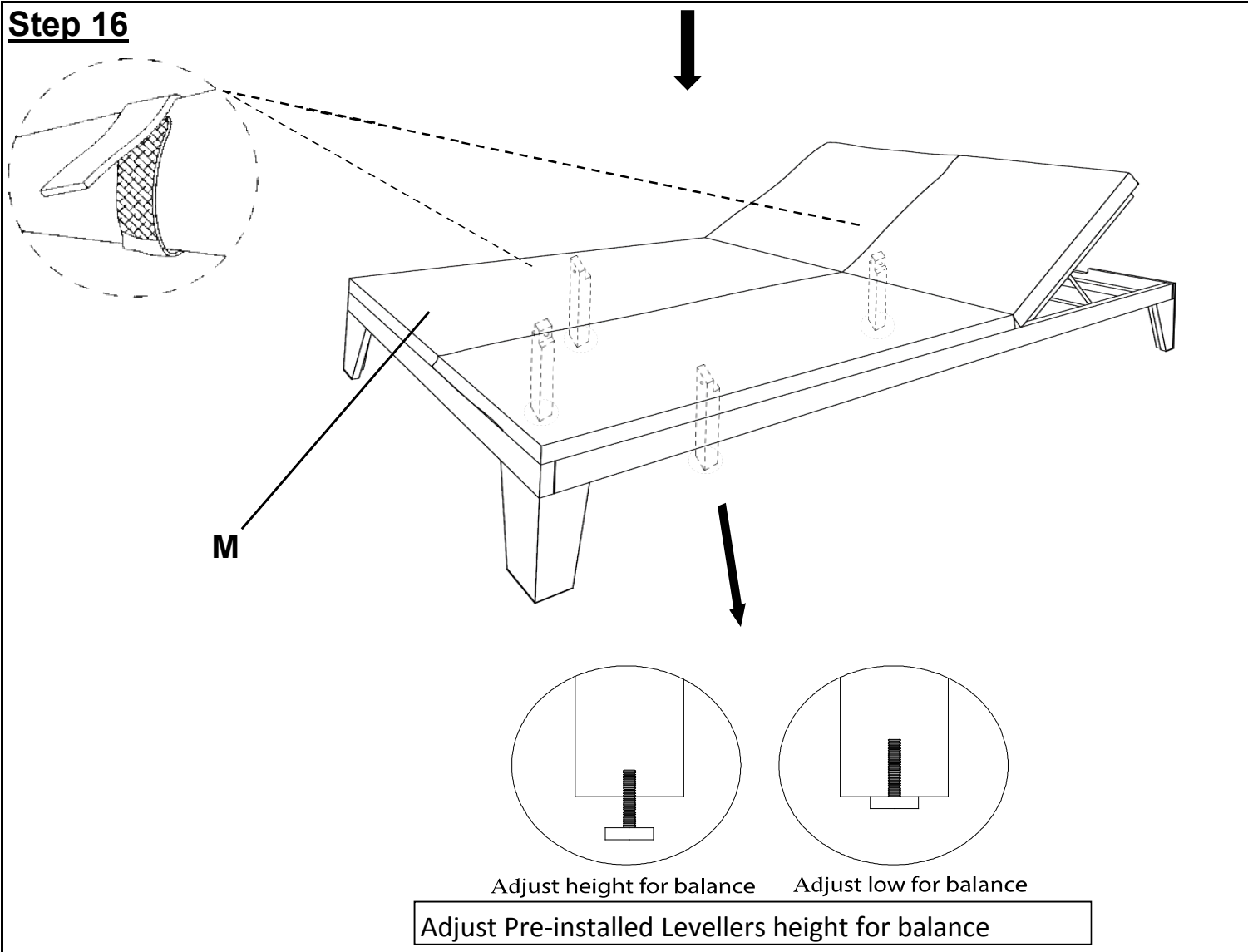


15.1. Insert the Screws (⑥) into the upper holes at the 4 corners of the Upper Seat Bar (C) and the Lower Seat Bar (D) in the assembled part in Step 14 by using the Allen Wrench (⑨) as shown above.

15.2. With assistance from your adult partner, lift the headrest part of to the desired position as shown above.

Do not fully tighten any Screws

Step 16



Put the Cushion (M) onto the assembled part in Step 15, then tie all the strings of the Cushion (M) to the Right Foldable Seat Panel (A), and the Left Foldable Seat Panel (B) as shown above.

Place the Sun Lounger on a **LEVEL SURFACE**.

Inspect it and make sure all parts are adequately connected.

Gently and gracefully, sit onto the Sun Lounger.

This will help align all the parts at all joint areas.

Then get off the Sun Lounger and proceed to tighten the Bolts and Screws in a sequential manner.

When tightening the Bolts and Screws, tighten sequentially.

DO NOT tighten any Bolts and Screws fully and then move on towards the next one.

If there are any wobbles after tightening, loosen the Bolts/Screws and execute this same process.







Adjust the Levellers at all 4 Support Legs until the Sun Lounger is level with the ground.

To adjust the Levellers, get assistance from an adult partner to lift/lean and hold the Sun Lounger while you are working.

The Sun Lounger is ready to be used.

This Sun Lounger can only be used on a flat, level surface.

Care & Maintenance

-  Do not put hot items directly on furniture surface
 -  Do not clean furniture with harsh cleansers or polish.
 -  To obtain the longest lifespan of your outdoor products, minimizing exposure to direct sunlight is recommended.
 -  Children should not climb or jump on the furniture.
 -  Do not write on furniture without a padded barrier to protect the surface.
 -  To obtain the longest lifespan of your outdoor products, avoid extended and lengthy exposure to rain, snow, and direct sunshine. Whenever possible cover the product and /or place under patio or awnings.
 -  Not for commercial use. For residential use only .
 -  Stains may be removed with mild soap solution and damp cloth.
-
-  Dust and pick-up spills using a clean, non-colored, lint-free cloth .