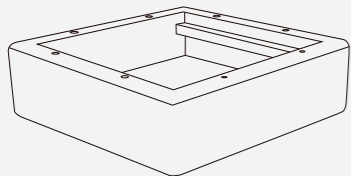


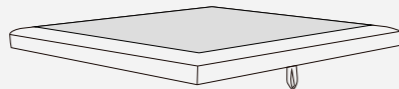
# CARTON C PART LIST

**D** Seat Frame



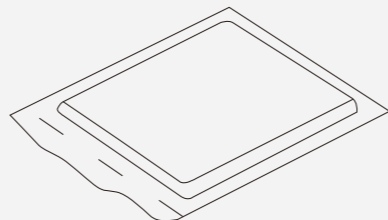
x1

**E** Seat Frame Cover



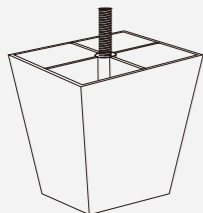
x1

**F** Seat Cushion



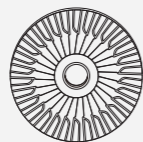
x1

**C** Plastic Leg



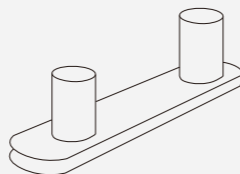
x4

**2** Plastic Washer



x4

**5** Seat Fitting



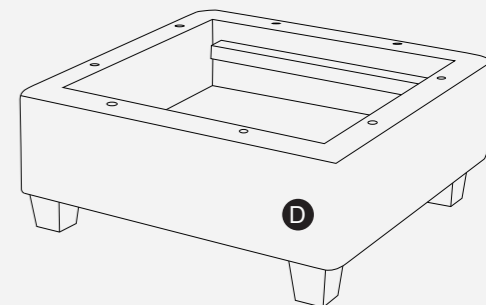
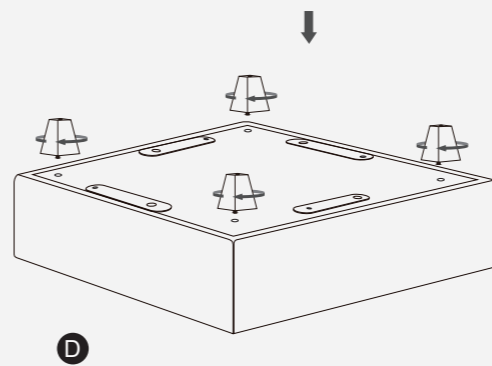
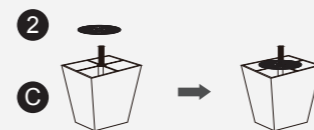
x2

# CARTON C ASSEMBLY

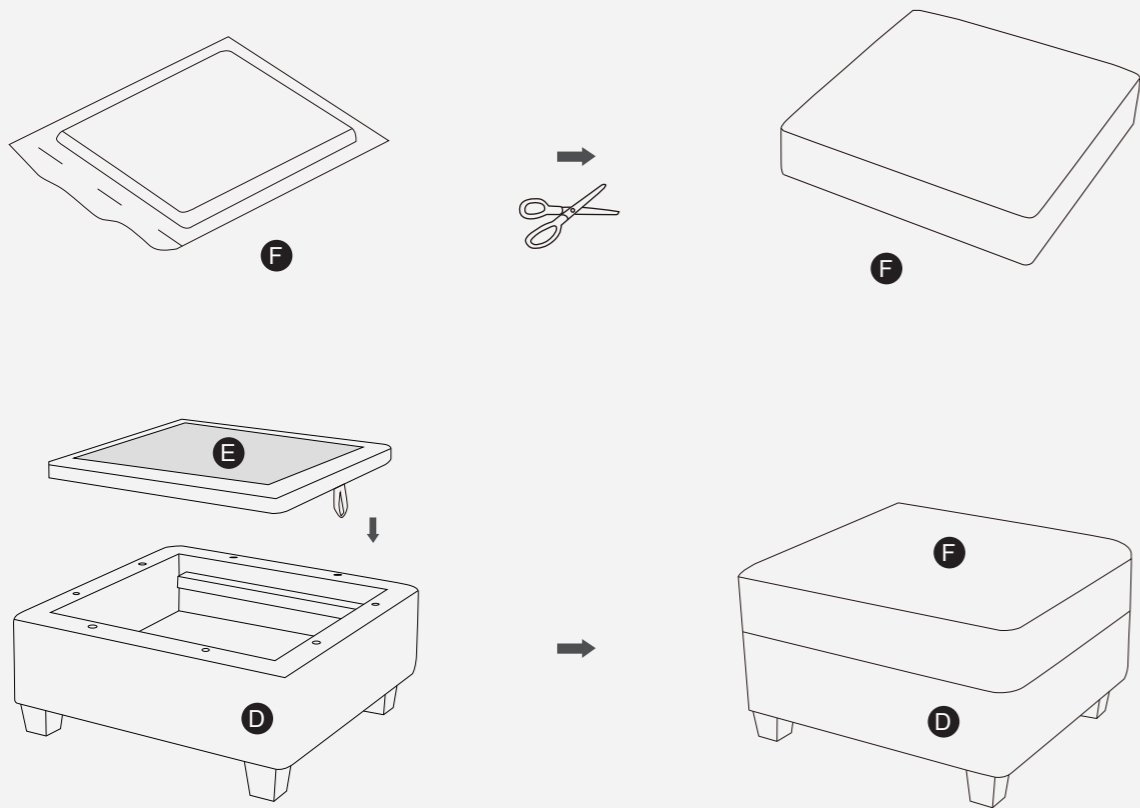
## Step1:

Seat frame is in carton C ,Remove all parts from the carton C, Place them on protected surface or carpet.

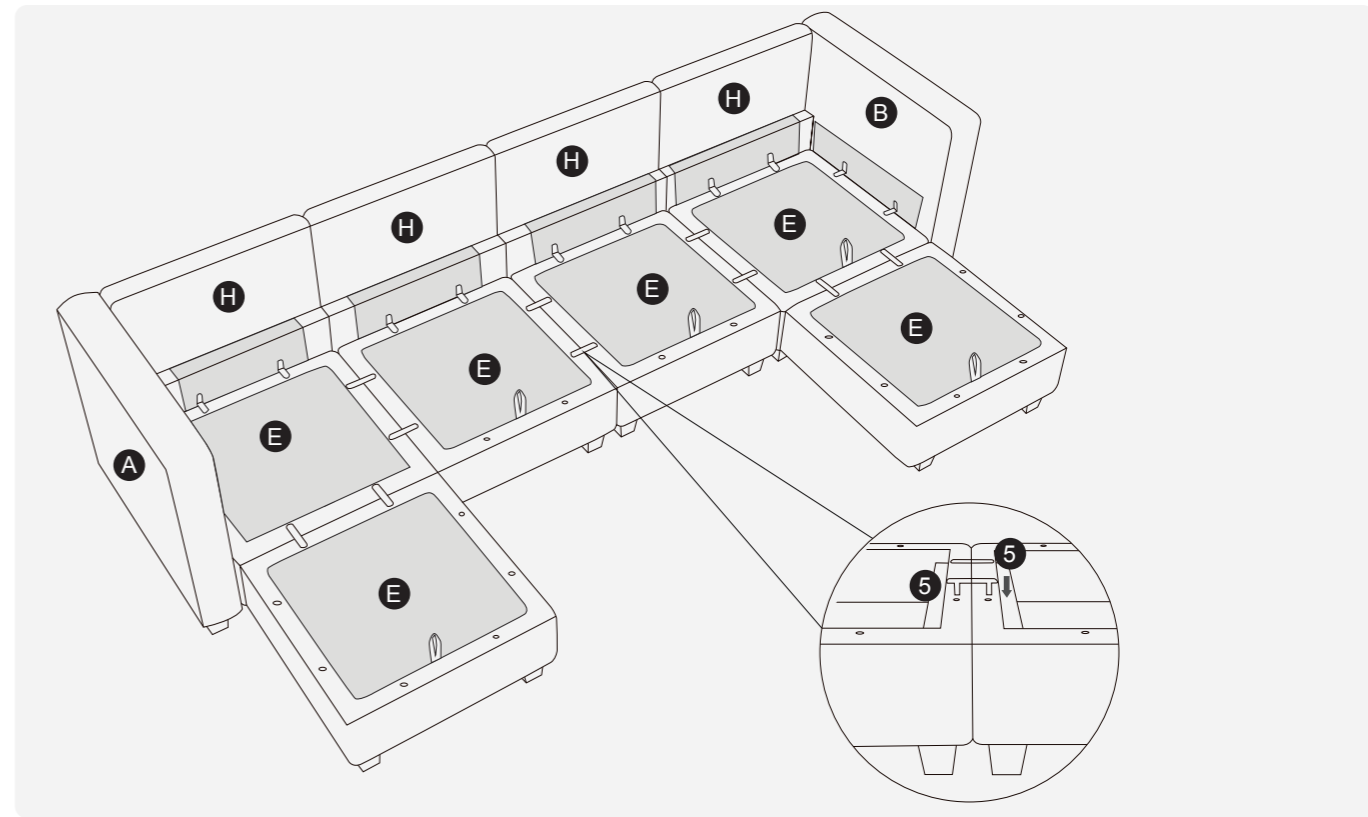
## Step2:



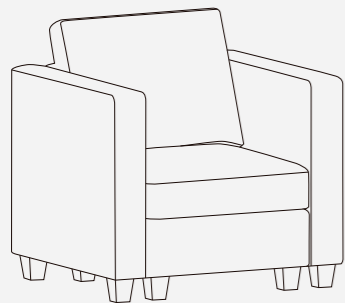
Step3:



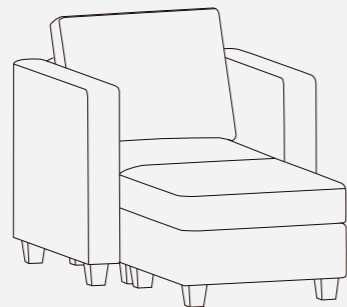
## Link Seat Frame and Seat Frame



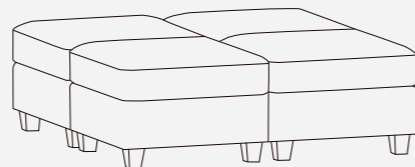
If you have bought other modules (carton A/ carton B) ,  
you can use connectors to insert into  
the holes to connect with other modules to form a modular sofa.



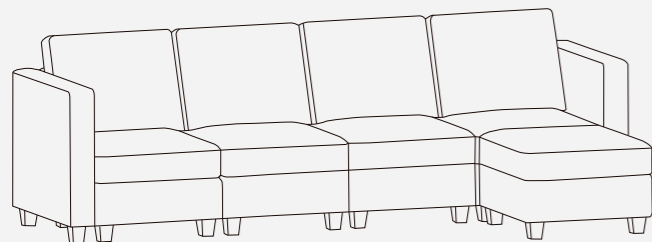
**Carton(A+B)**



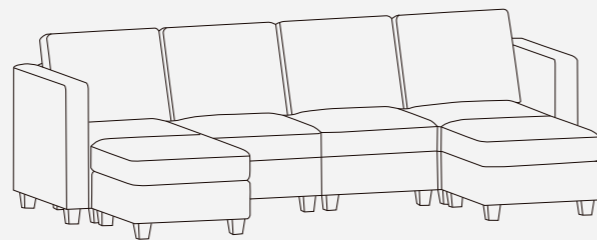
**Carton(A+B+C)**



**Carton(4C)**

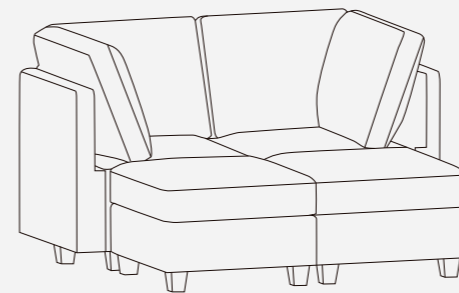


**Carton(A+4B+C)**

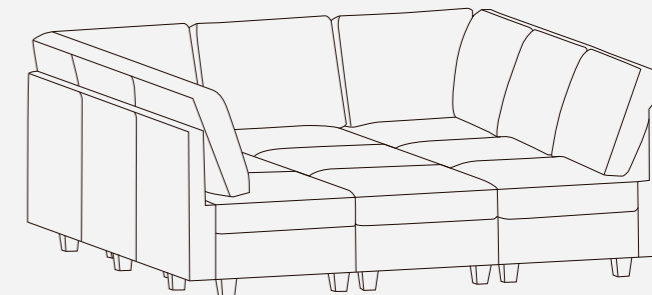


**Carton(A+4B+2C)**

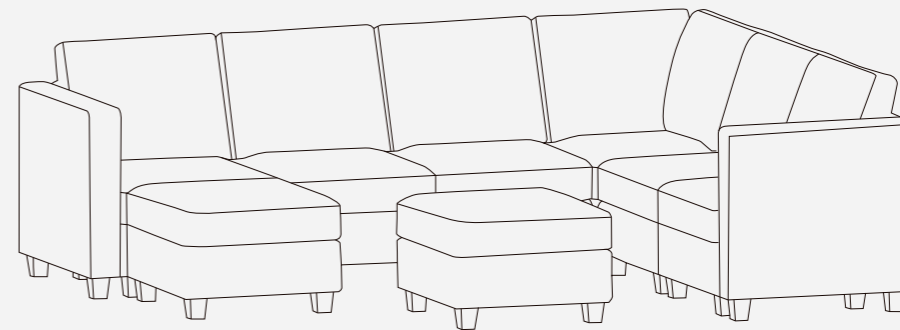
# FREE COMBINATION



**Carton(4B)**



**Carton(9B)**



**Carton(A+7B+C)**