
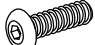









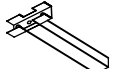




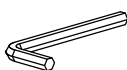

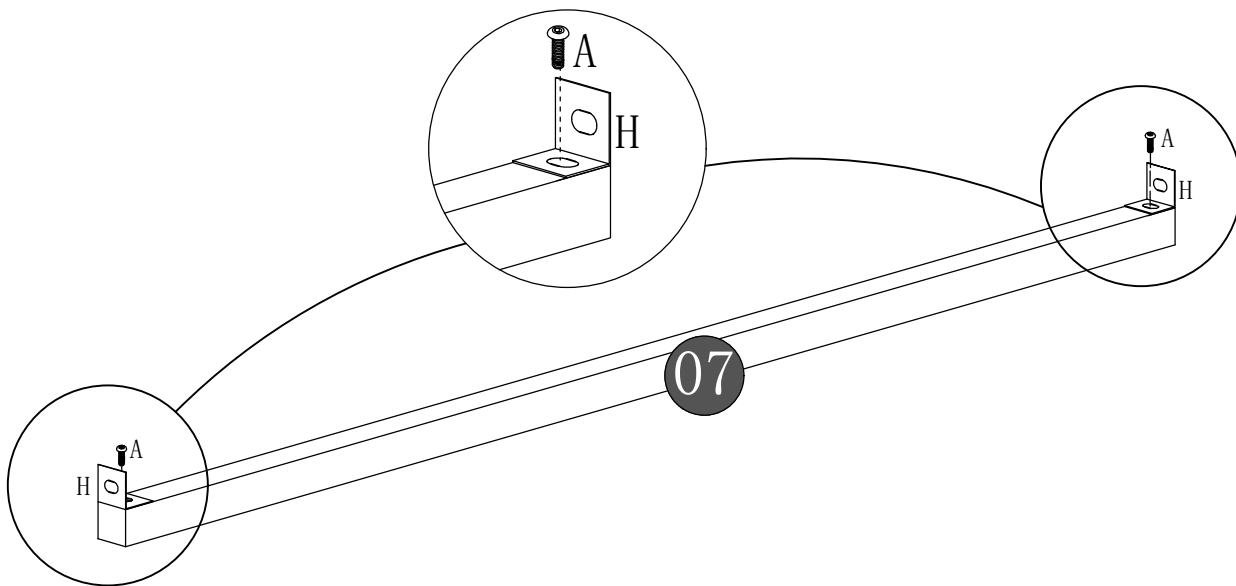


A	 8*20	6
B	 8*35	10
C	 8*40	6
D	 8*50	11
E	 4*14	32
F	 4*10	32
G	 4*25	16

H	 1.0	2
I	 1.0	16
J	 23.5cm	2
K	 24cm	2
L	 24cm	3
M	 1.0	16
N		10

O		6
P		1
Q		1
R		1

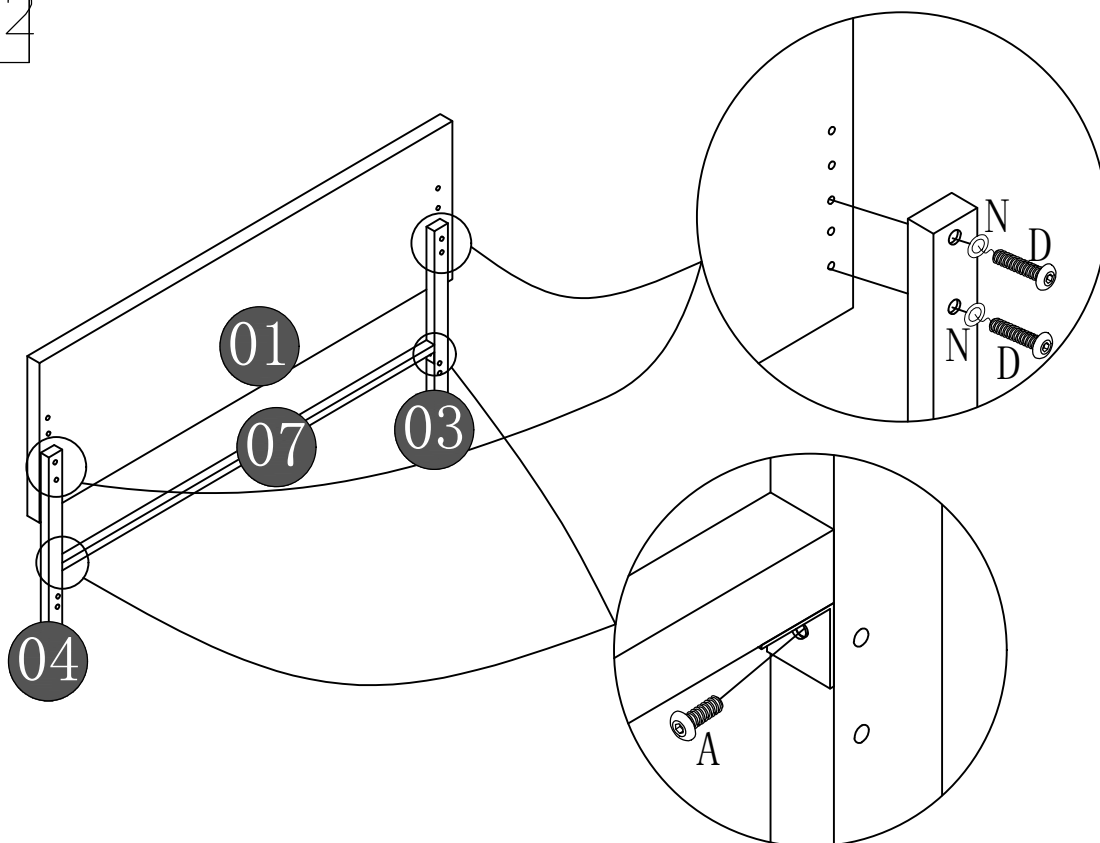
01



Q		1
---	--	---

A		2
H		2

02

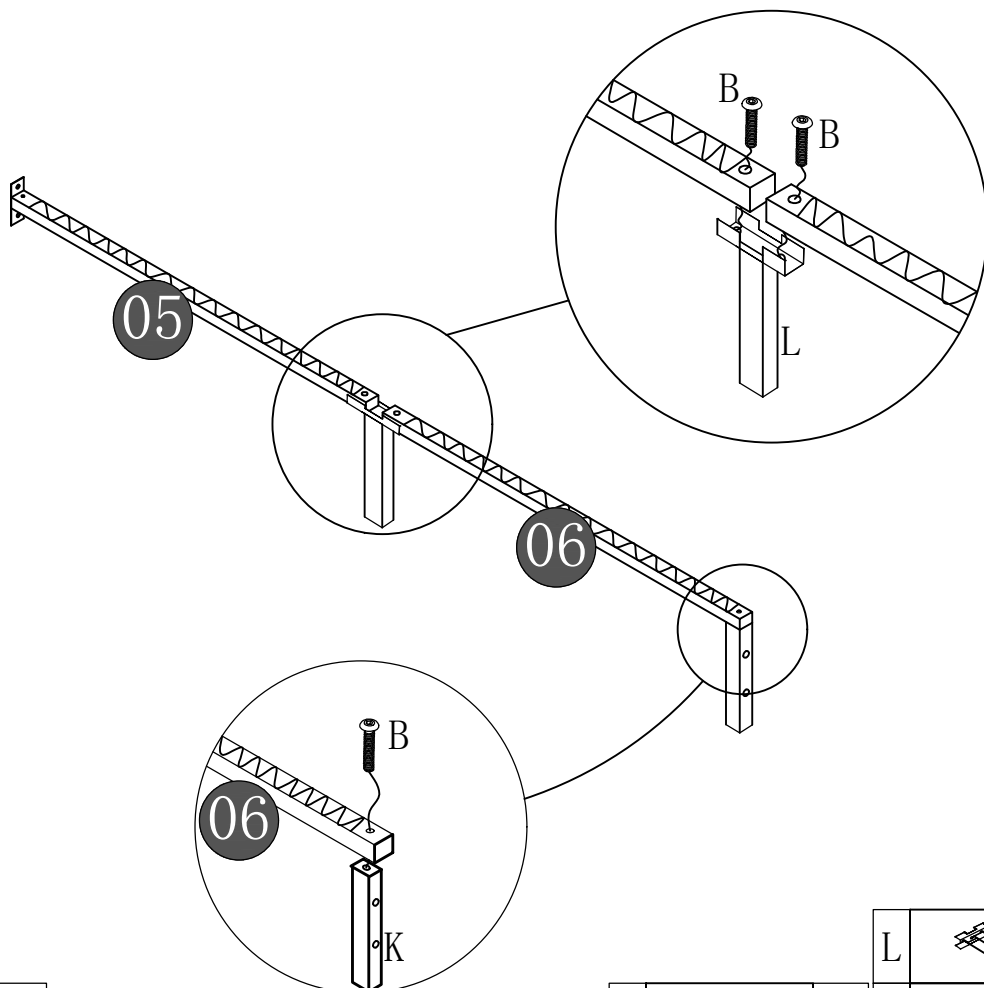


Q		1
---	--	---

N		4
---	--	---

D		4
A		2

03

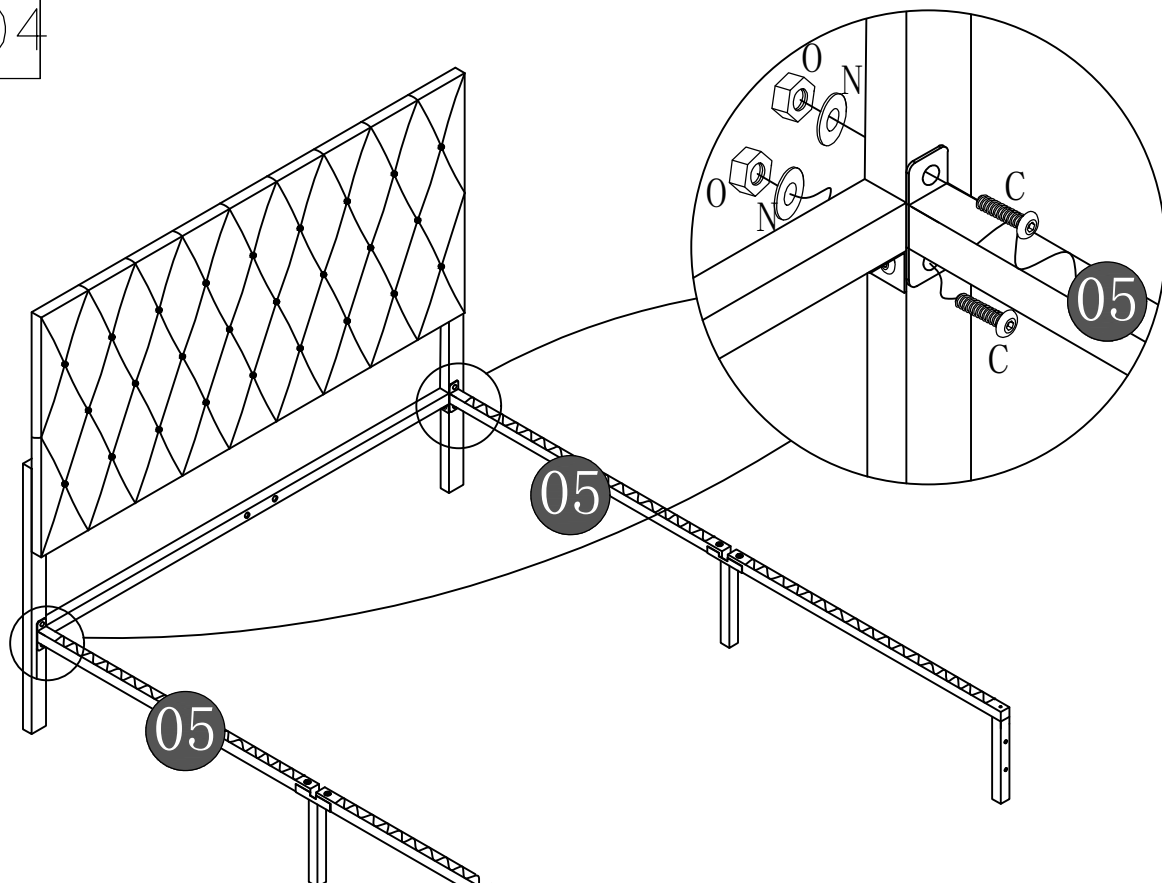


Q		1
---	--	---

K		2
---	--	---

L		2
B		6

04

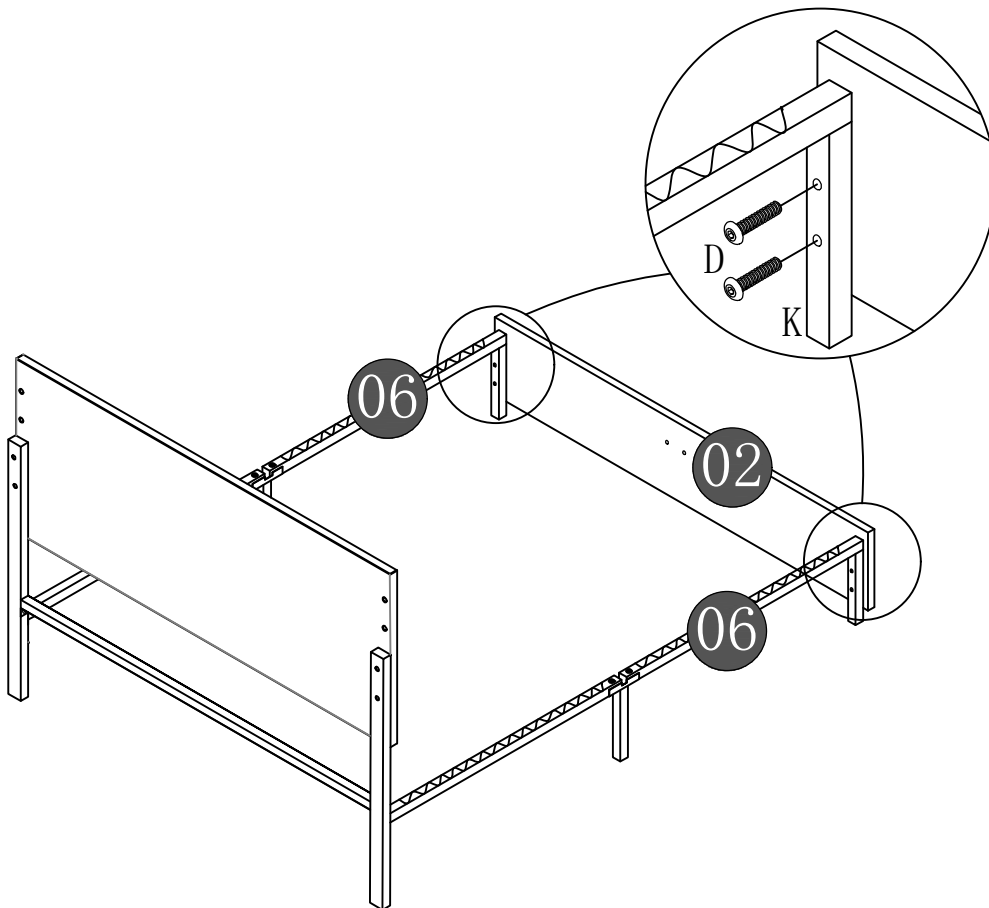


P		1
Q		1

N		4
---	--	---

O		4
C		4

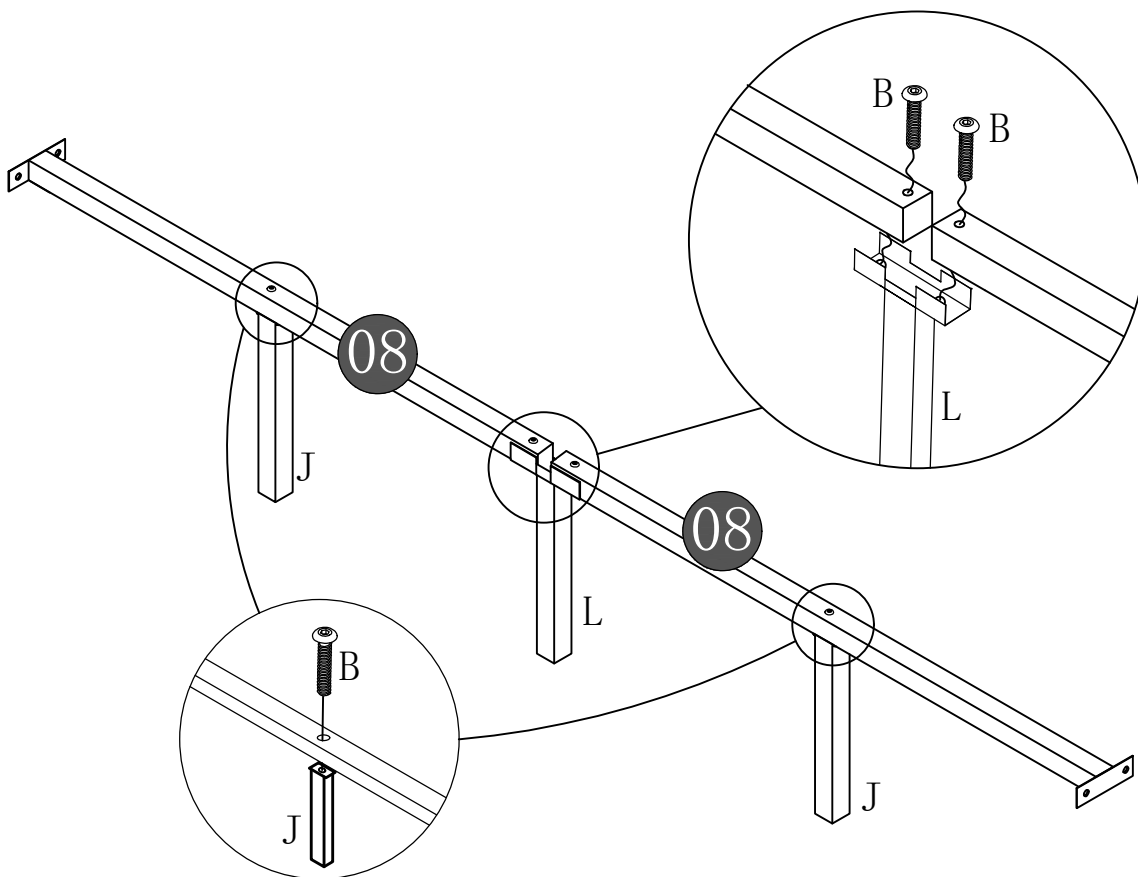
05



Q		1
---	--	---

D		4
---	--	---

06

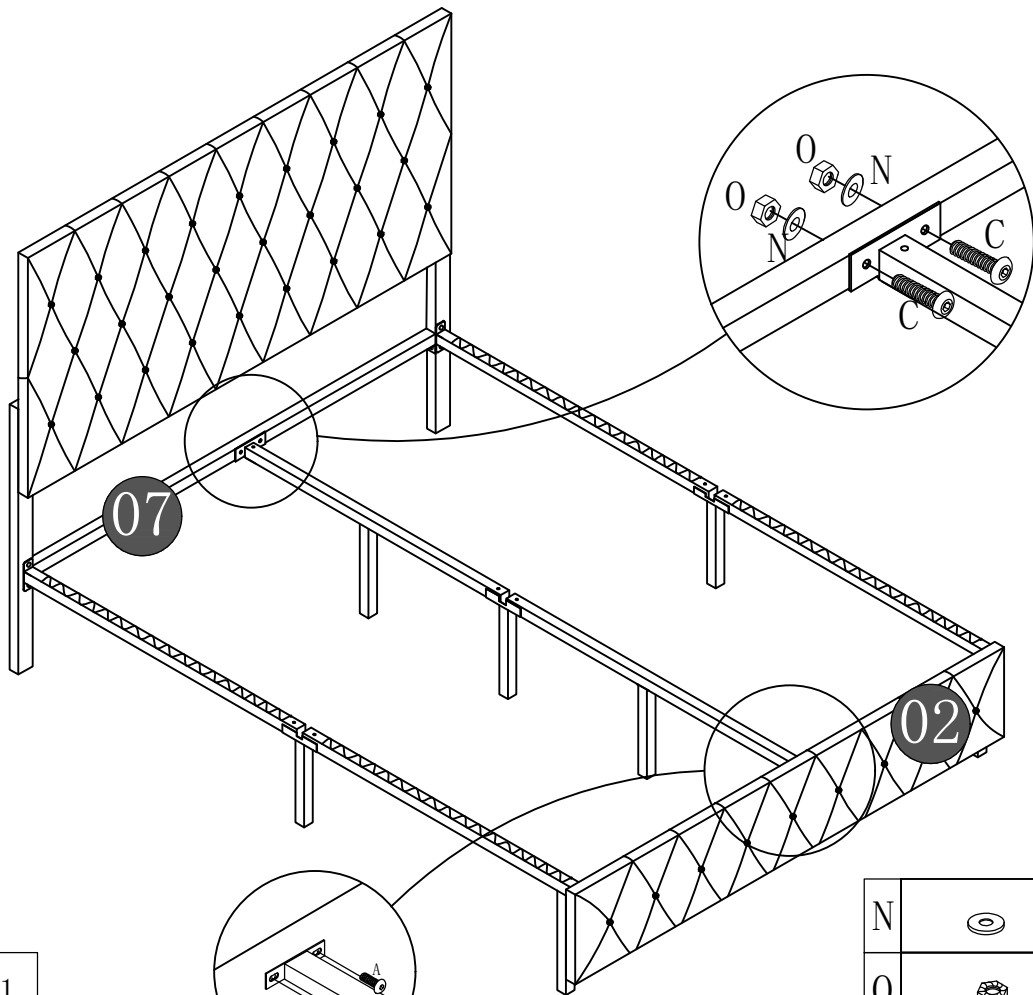



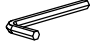
Q		1
---	--	---


L		1
---	--	---




J		2
B		4

07

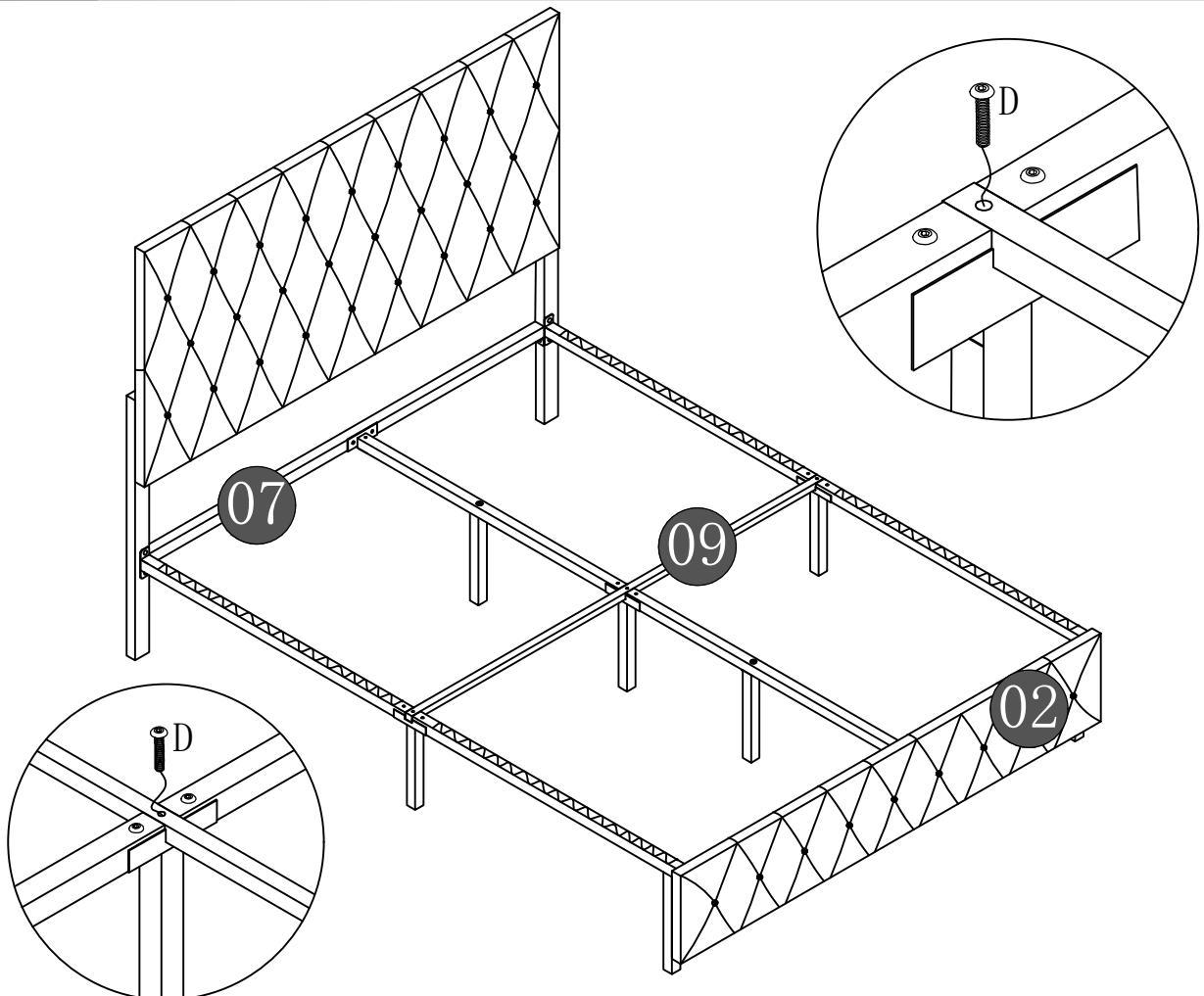



P		1
Q		1


A		2
		8*20

N		2
O		2
C		2
		8*40

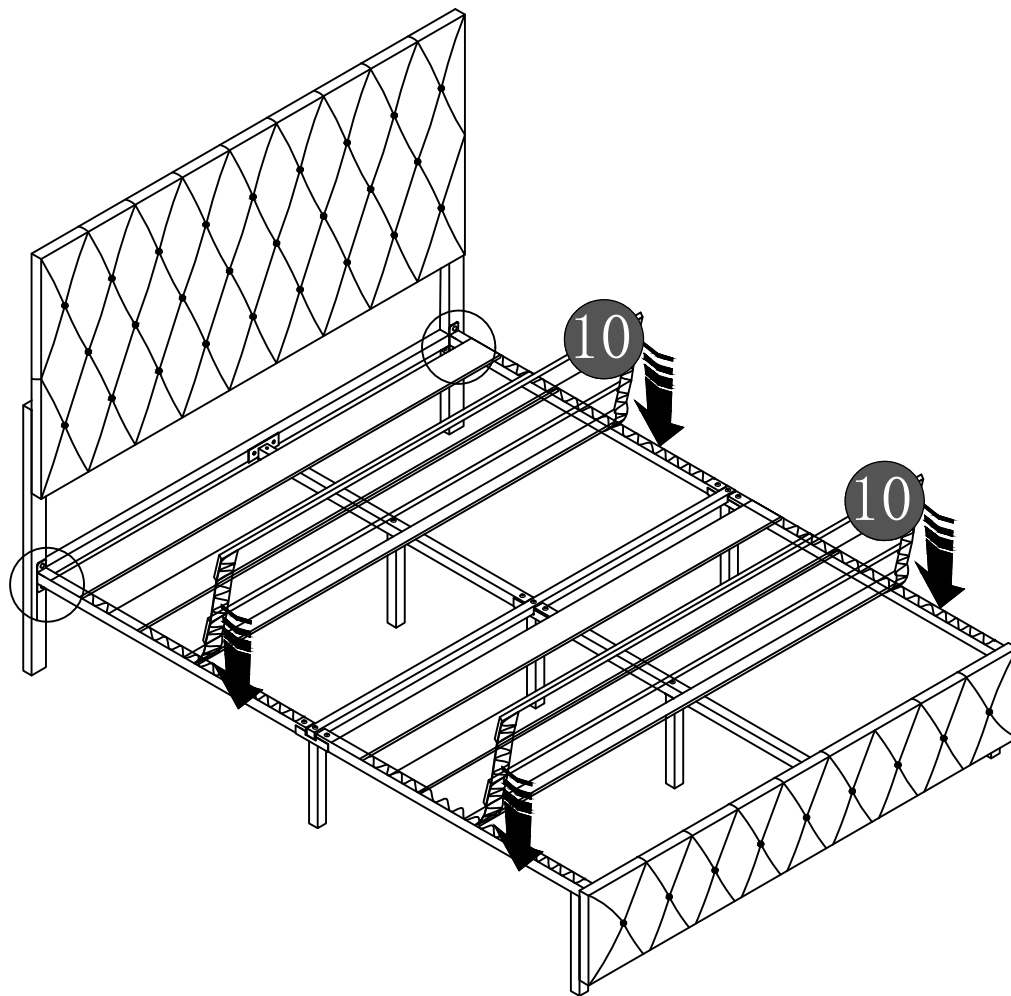
08



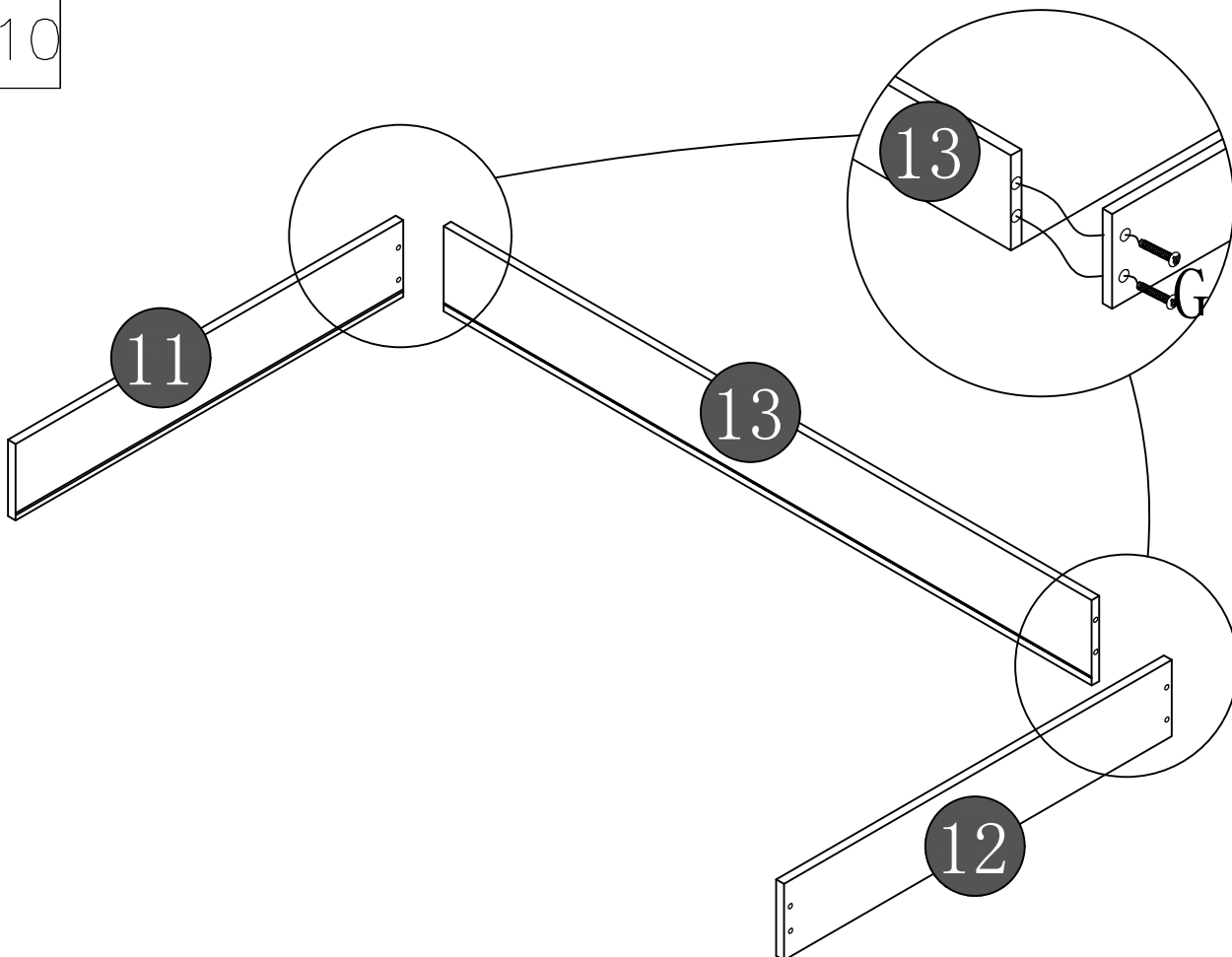
Q		1
---	---	---

D		3
		8*50

09



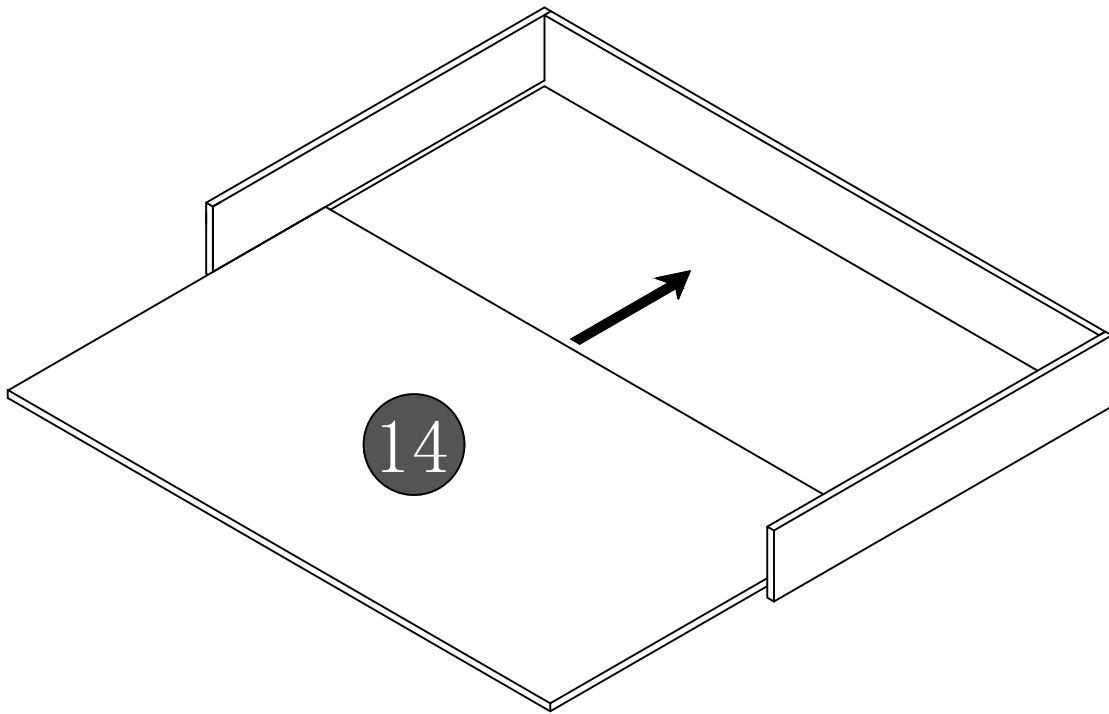
10



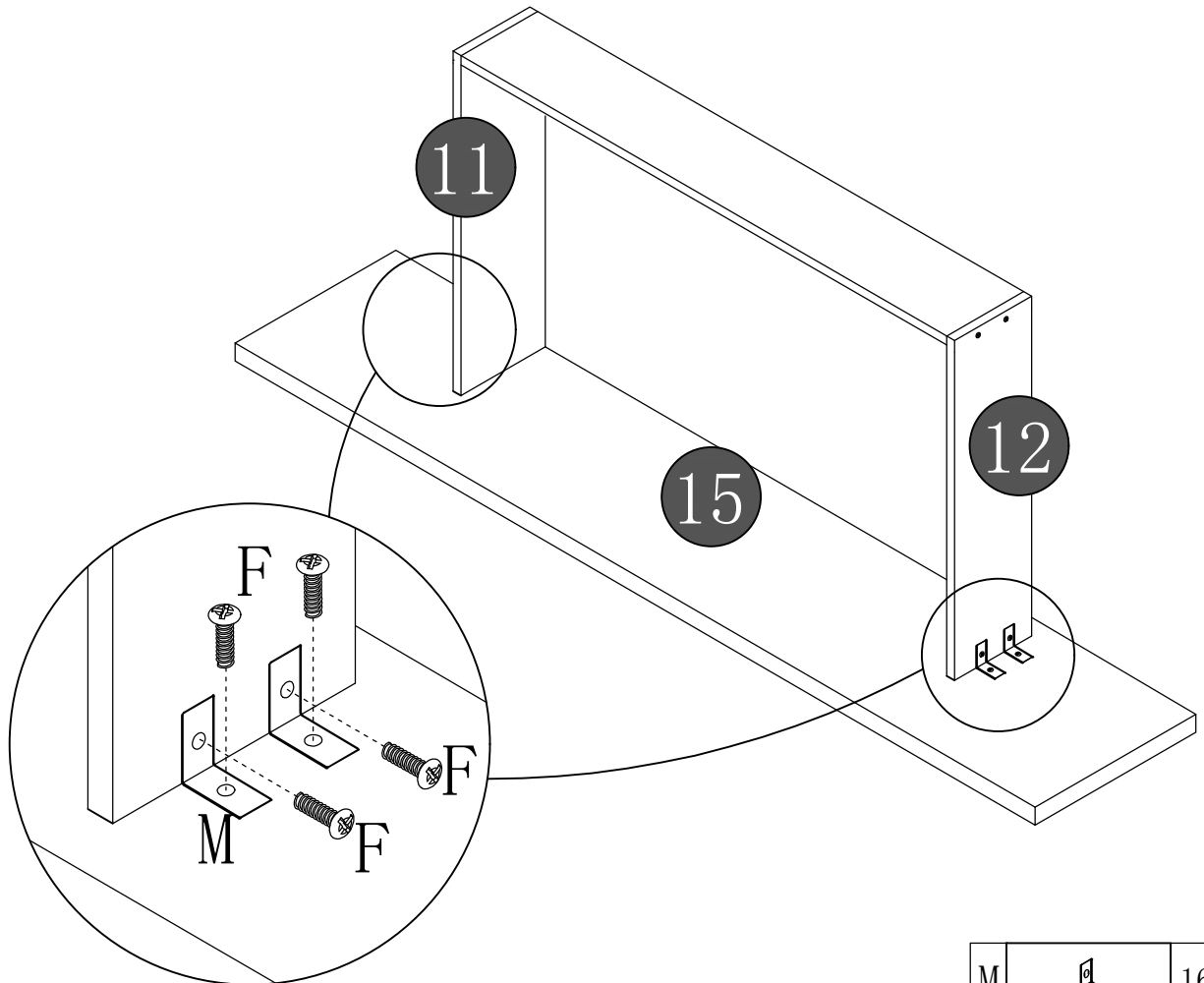
R		1
---	---	---

G		16
---	---	----



11



12

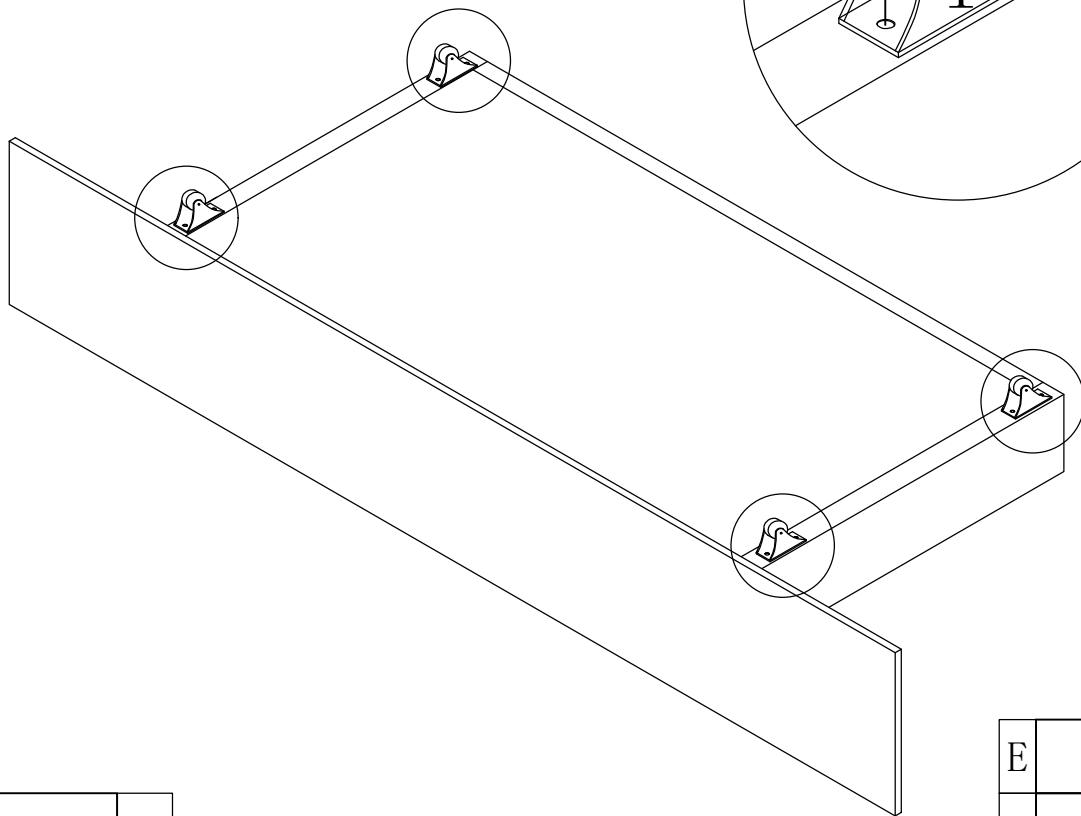



R		1
---	---	---



M		16
F		32

4*10

13



R		1
---	---	---

E	 4*14	32
I	 1.0	16

13

