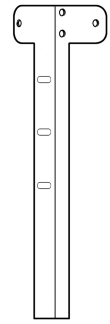
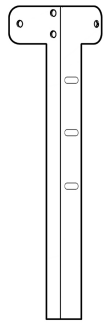


Iron bed installation manual

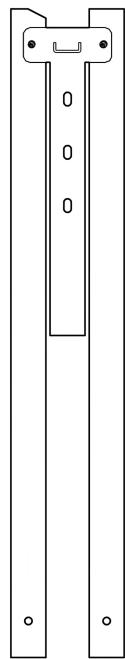
Iron bed components



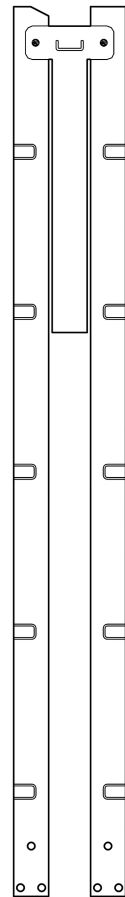
A 2PCS



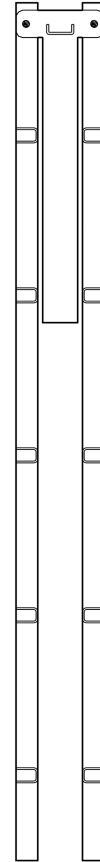
B 2PCS



C 2PCS



D 2PCS



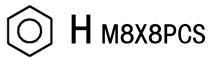
E 1PCS



F 2PCS



G 20PCS



H M8X8PCS



I M8X35X14PCS



J M8X45X8PCS



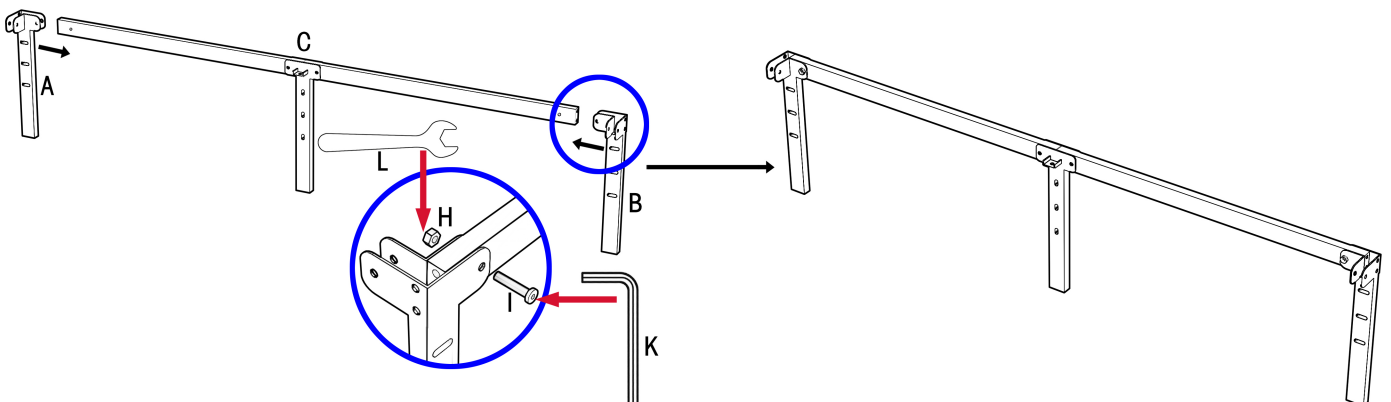
K 1PCS



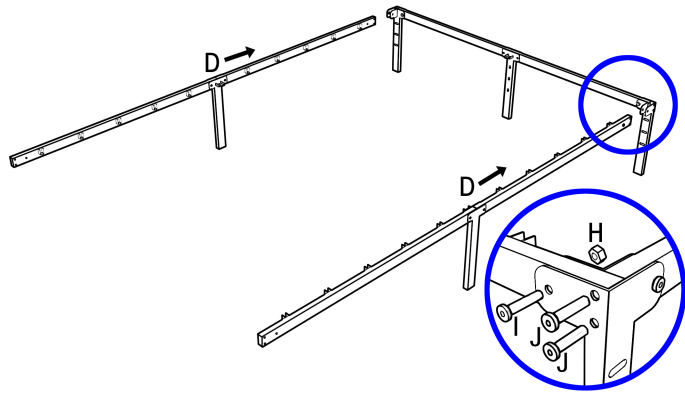
L 1PCS

Step 1

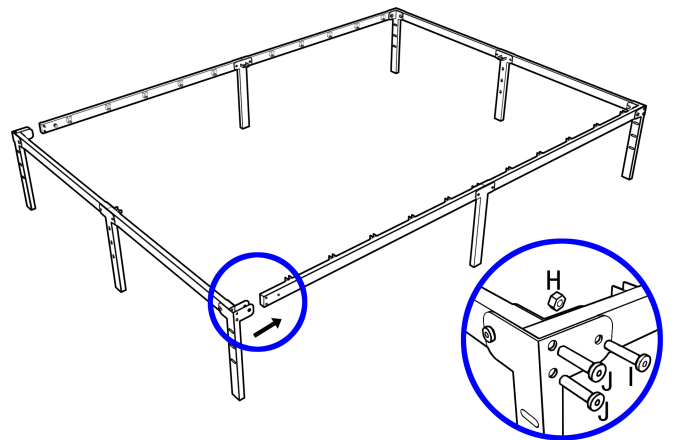
The installation method at the head of the bed and at the end of the bed is the same.



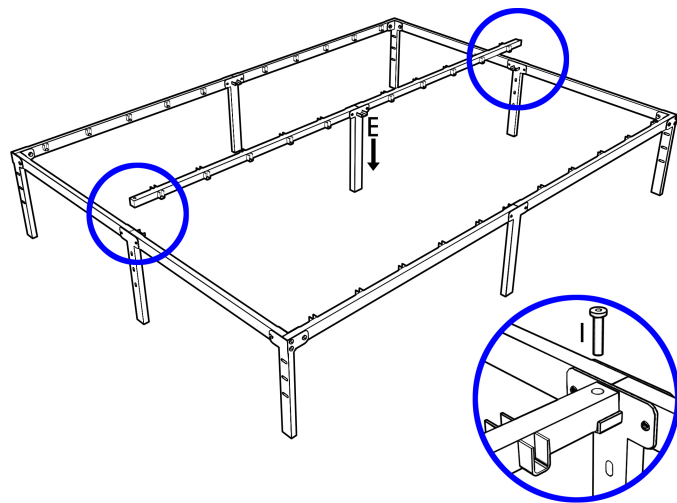
Step2-1



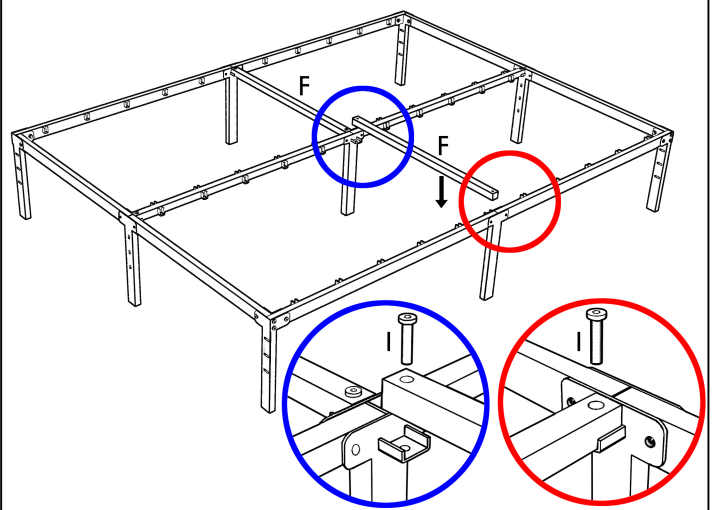
Step2-2



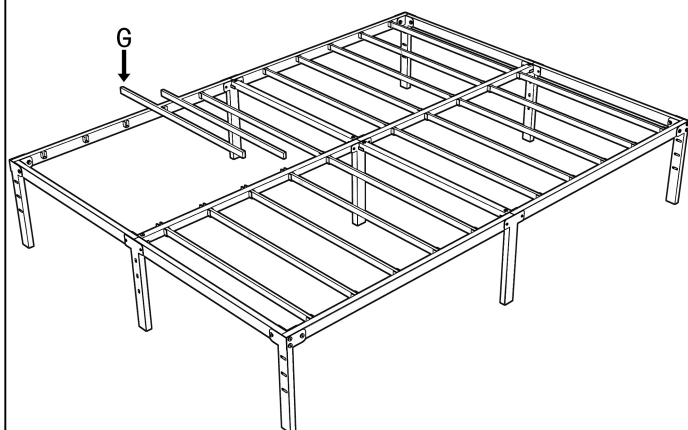
Step2-3



Step2-4



Step2-5



Installation complete

