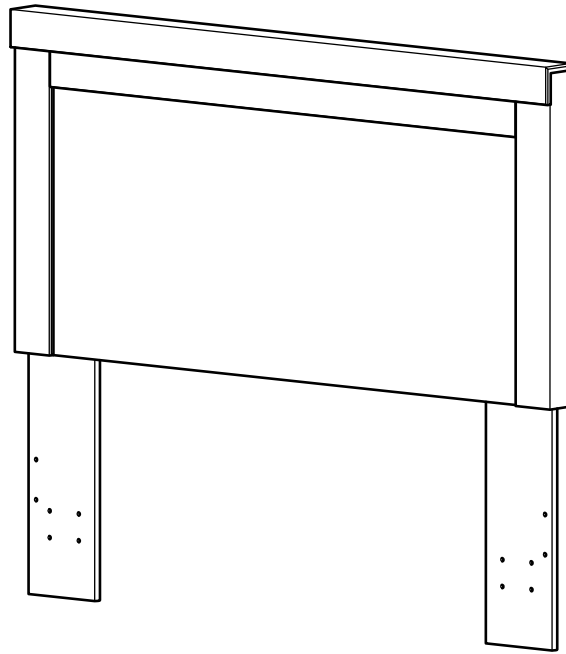
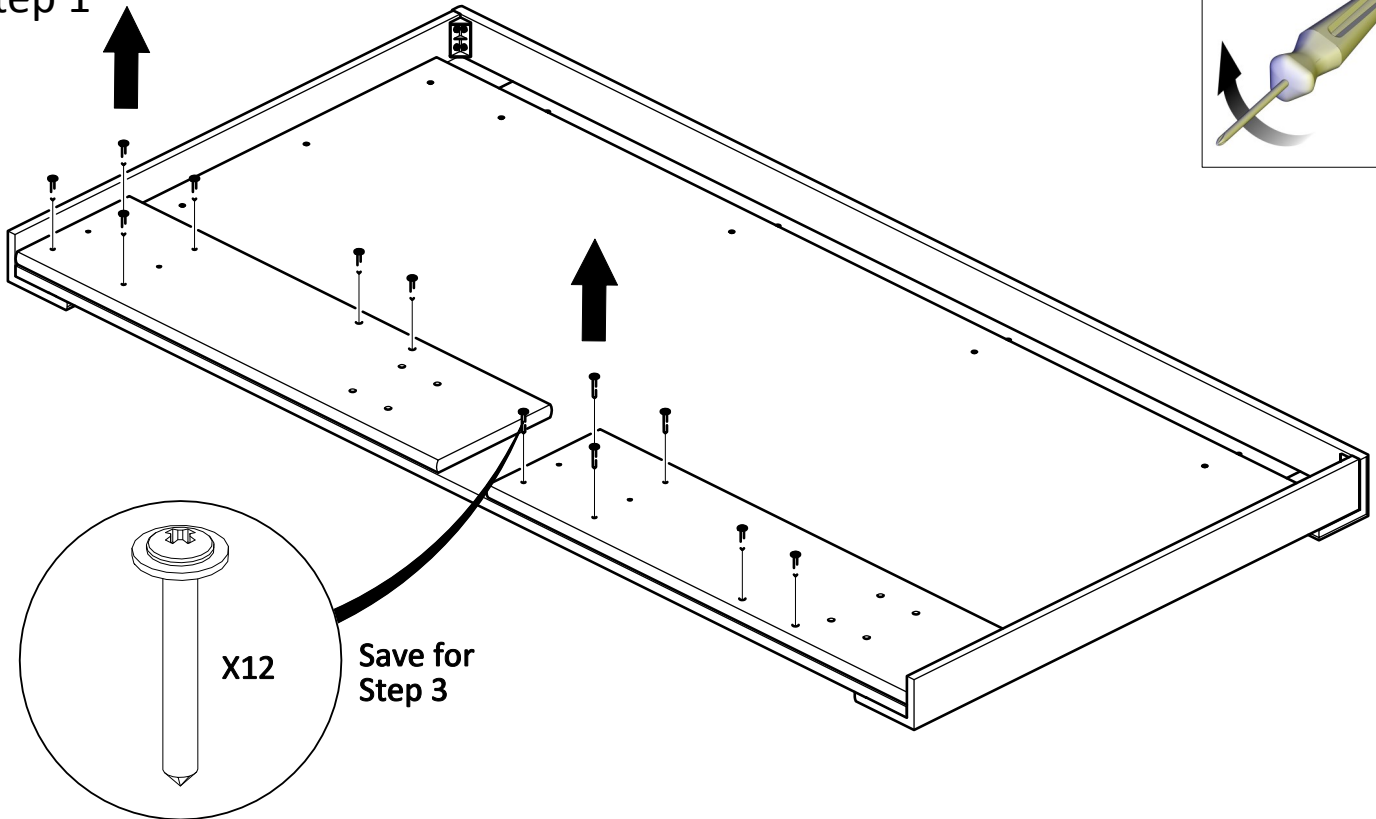
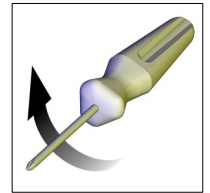


# Assembly Instructions



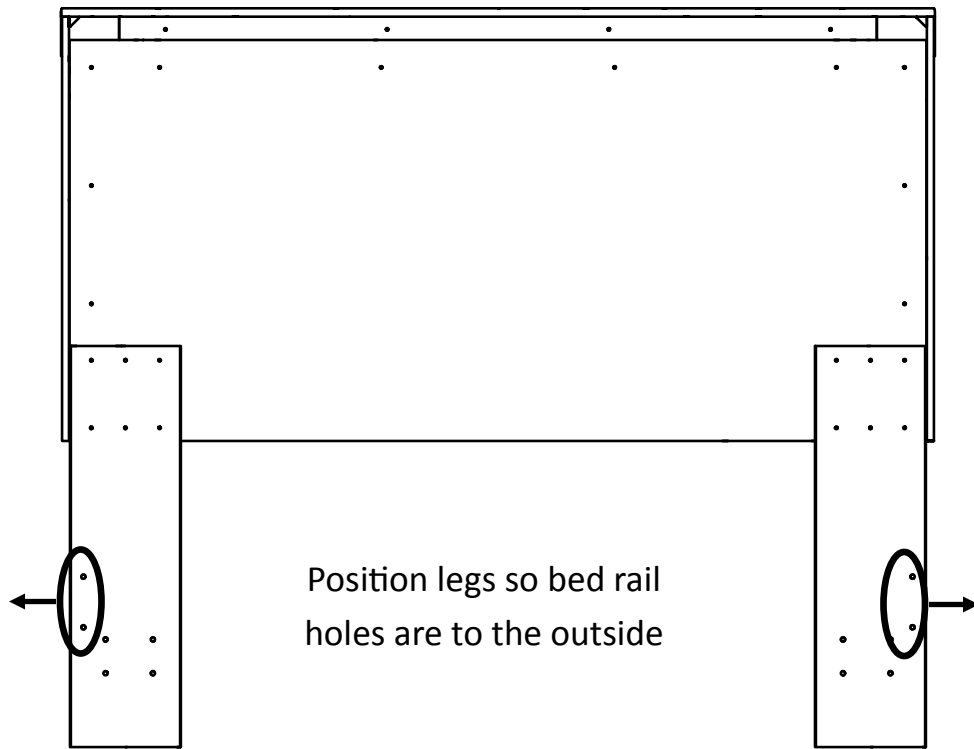
Step 1



X12

Save for  
Step 3

## Step 2



## Step 3

