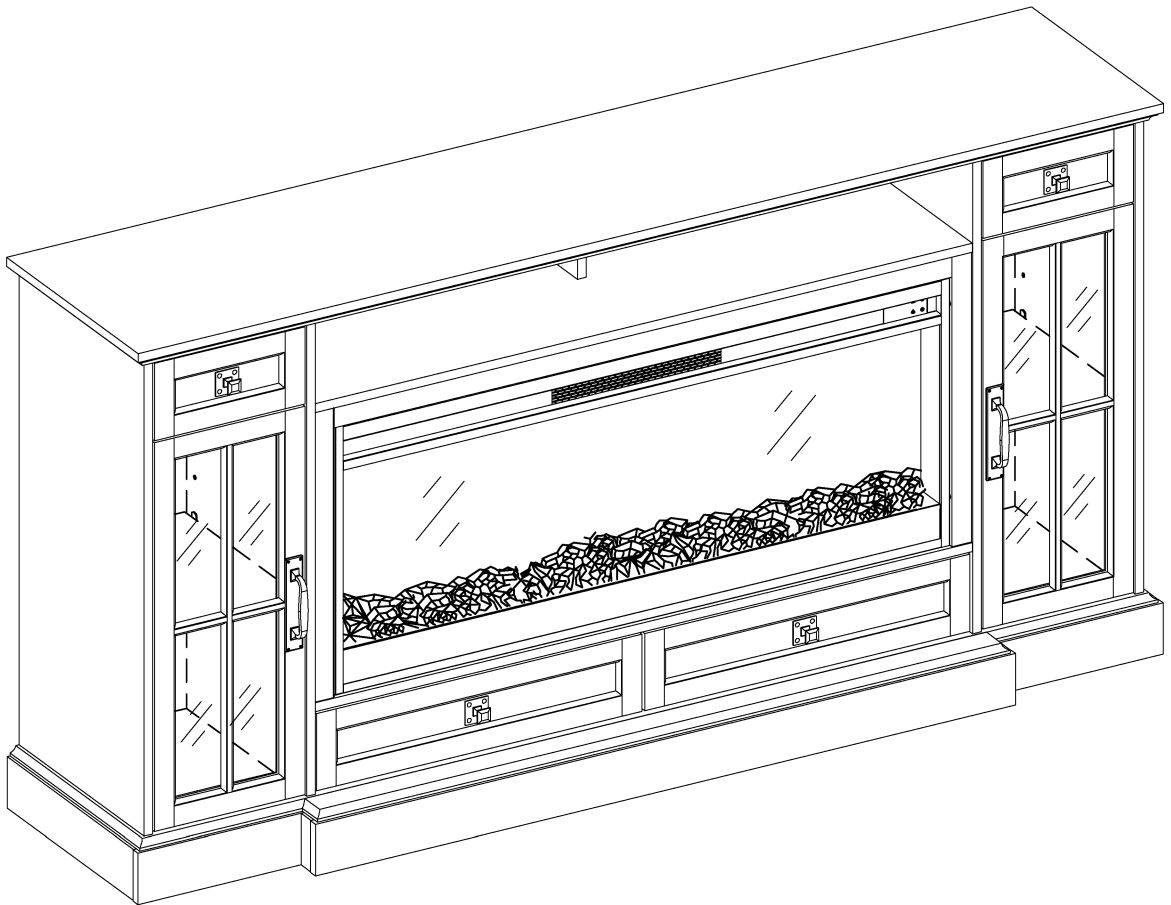
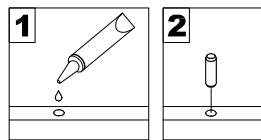


Assembly Instructions

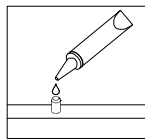


General Assembly Guidelines

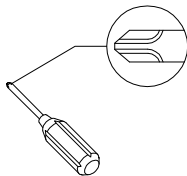
- I. Ensure that all parts and hardware are available before beginning assembly.
- II. Follow each step carefully to ensure the proper assembly of this product.
- III. Two people are recommended for ease in the assembly of this product.
- IV. The three main types of hardware used to assemble this product are : wood dowels , screws and bolts.
- V. The provided glue is to secure wood dowels in place . When first inserting dowels , locate the appropriate hole for the dowel , place a small amount of glue in the hole and insert the dowel . Wipe away excess glue immediately.



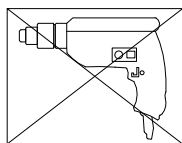
In future assembly steps when dowels are necessary to attach assembly parts together , place a small amount of glue on the end of the dowel before attaching parts together . Wipe away excess glue immediately.



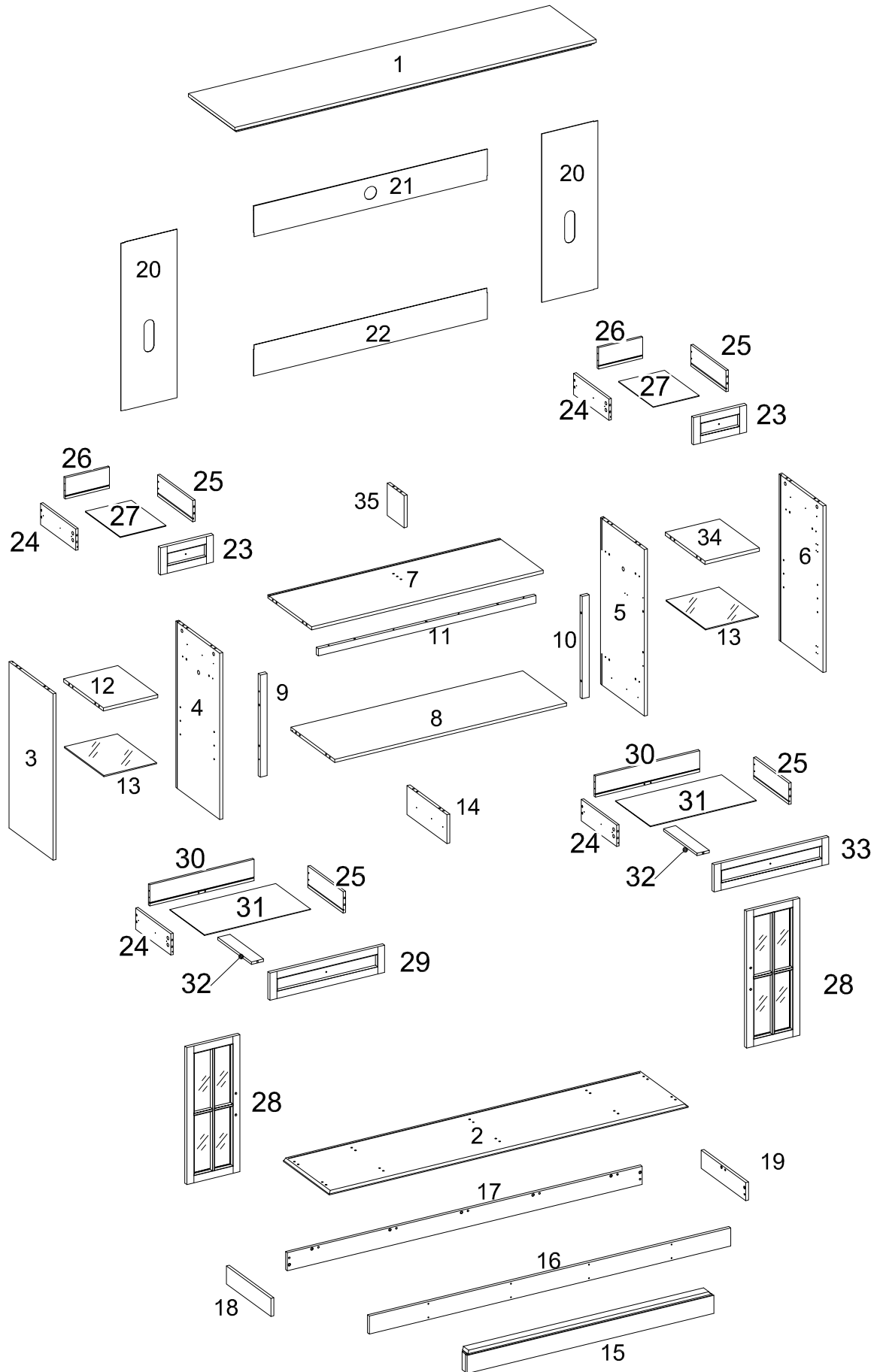
- VI. A Phillips head screwdriver is required for the assembly of this product .




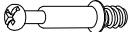
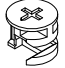


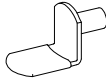

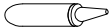
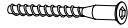
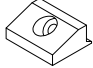


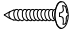

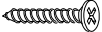
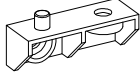
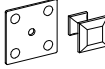

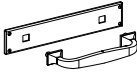
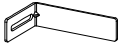
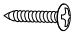

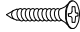
- VII. Power tools should not be used to assemble this product .



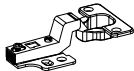



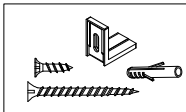
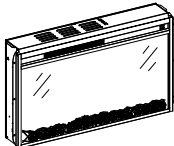
Parts List

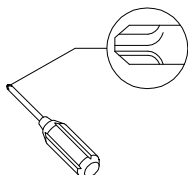


Hardware List

A		Ø8x30mm	Wood dowel	45 pcs
B		Ø6x35mm	Cam bolt	46 pcs
C		Ø15x11mm	Cam lock	28 pcs
D			Sticker	46 pcs
E		Ø15x9.5mm	Cam lock	18 pcs
F			Shelf support pin	8 pcs
G		Ø6x13mm	Bolt	32 pcs
H			Glue	1 pcs
I		Ø6x50mm	Screw	12 pcs
J			Plastic wedge	24 pcs
K		Ø3x17mm	Flat-head screw	24 pcs
L		M 4	Hex key	1 pcs
M		Ø3x12mm	Screw	12 pcs
N				6 pcs
O		Ø4x38mm	Screw	36 pcs
P			Connector	16 pcs
Q			Handle	4 pcs
R		Ø4x12mm	Handle bolt	4 pcs
S			Handle	2 pcs
T			L shape bracket	2 pcs
U		Ø4x12mm	Screw	4 pcs
V		12"	Drawer slider	4 sets
W		Ø3.5x12mm	Screw	48 pcs

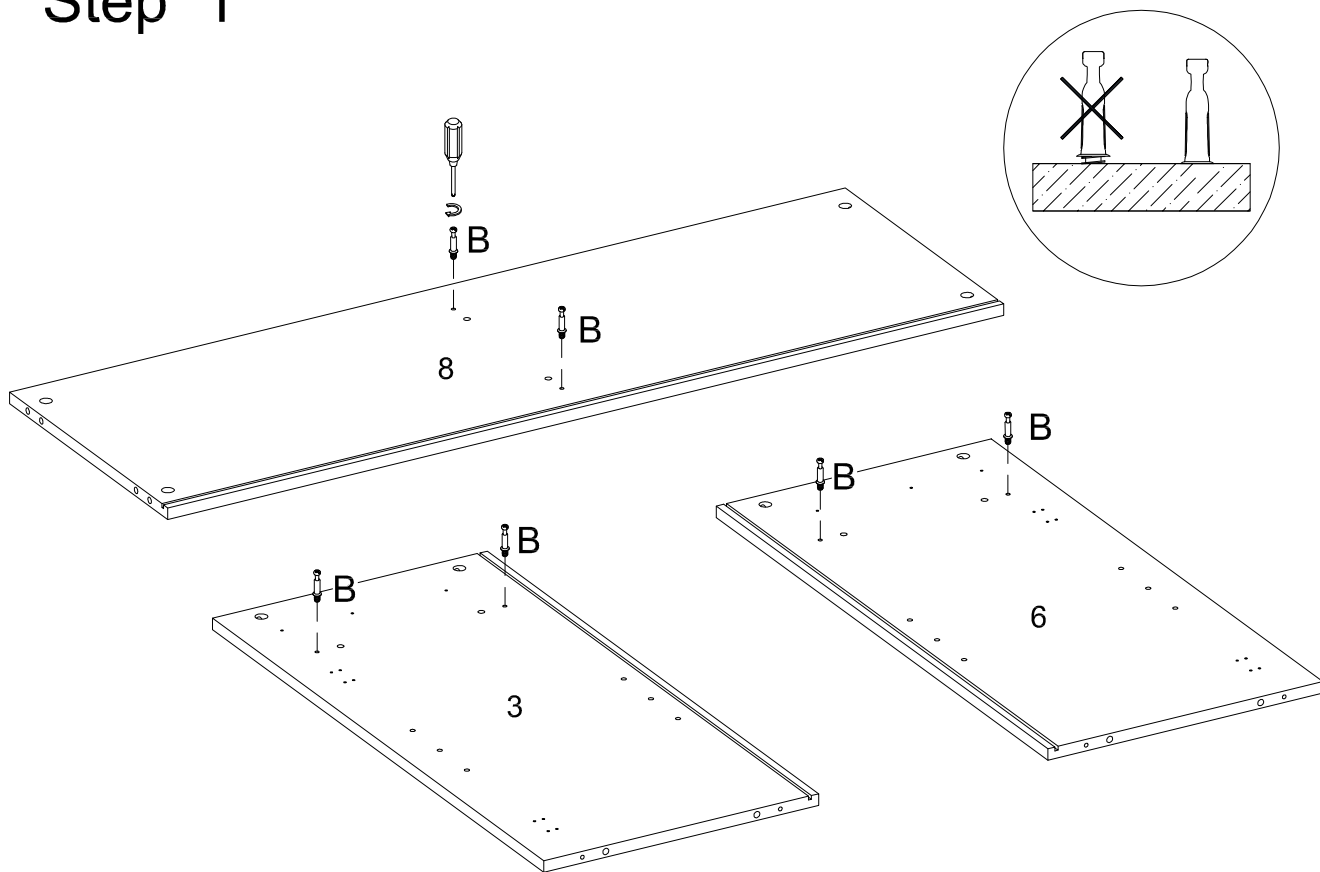
Hardware List

X		Ø26mm	Europe hinge	4 pcs
Y		Ø3.5x14mm	Hinge screw	24 pcs
Z		Ø4x19mm	Handle bolt	4 pcs
AA			Led strip light	2 PCS
BB			Tipping Restraint Hardware	2 sets
CC		RV42V80L-MT8	Fireplace Insert	1 pcs

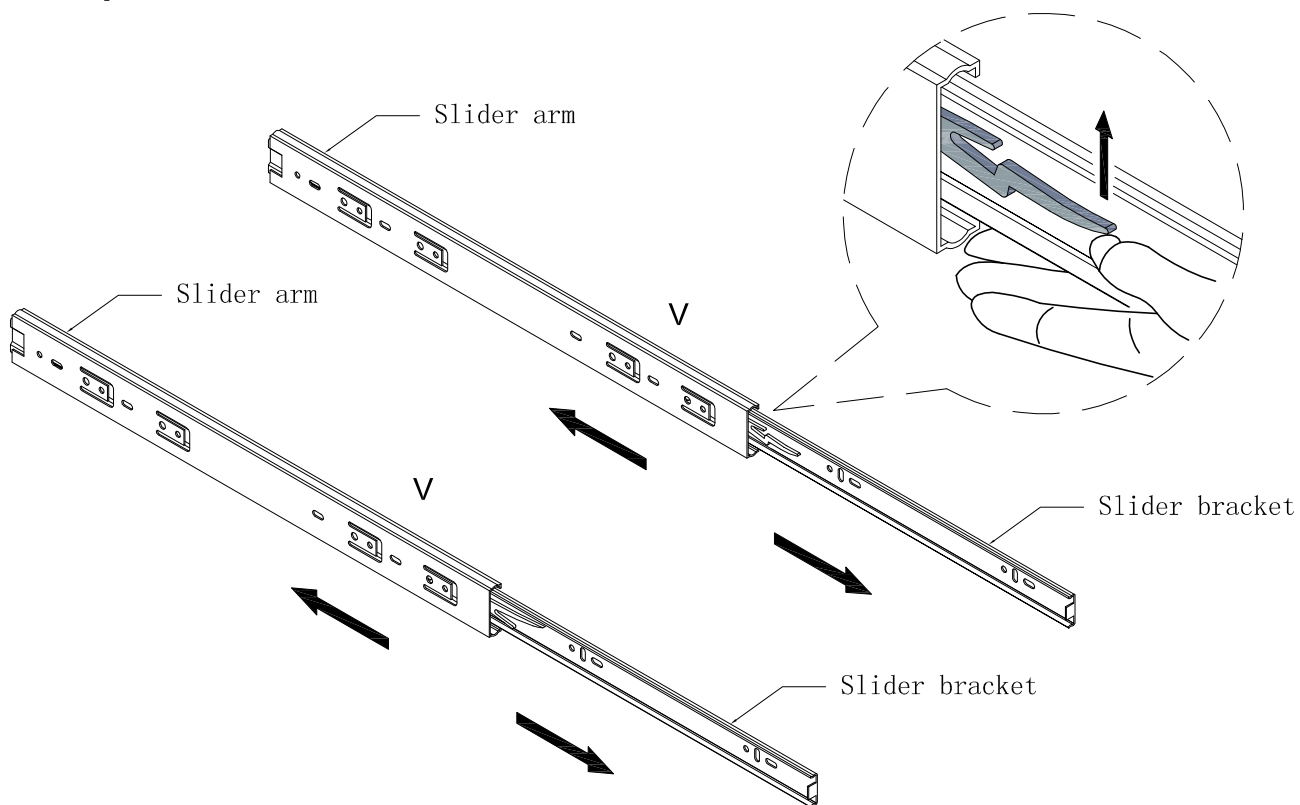


Philips head screwdriver required for assembly
(not included)

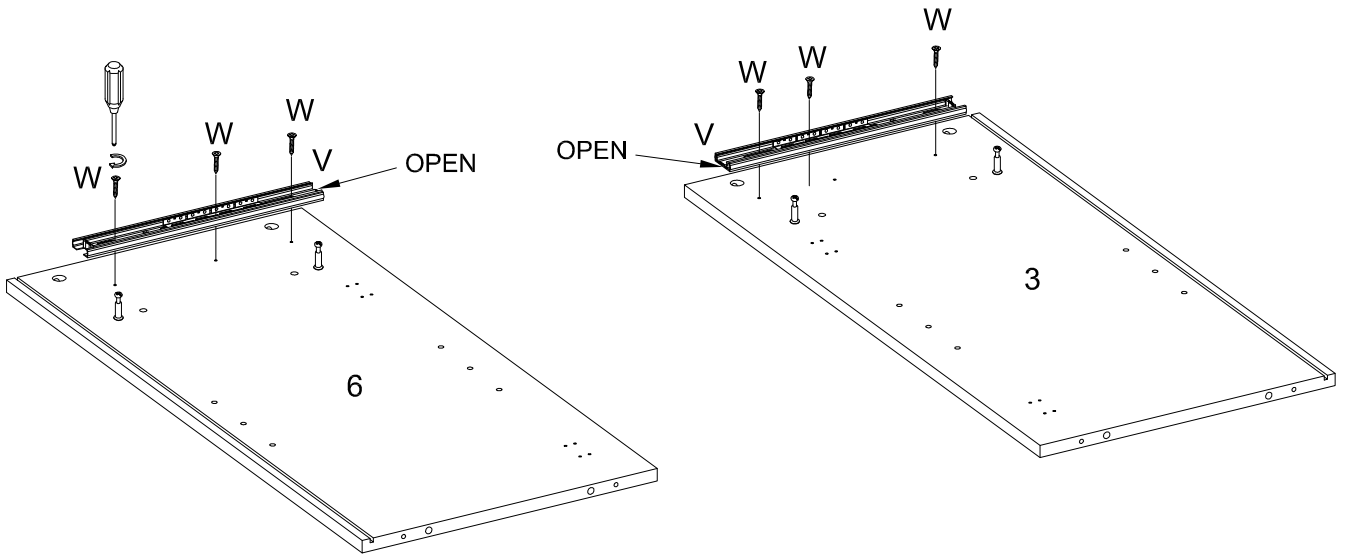
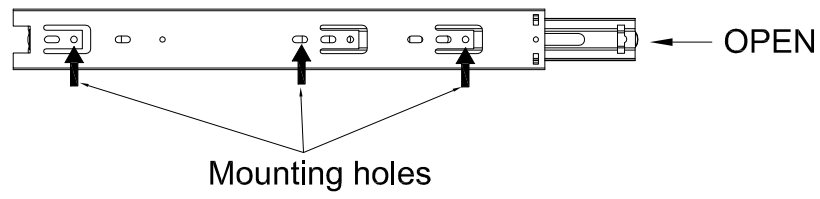
Step 1



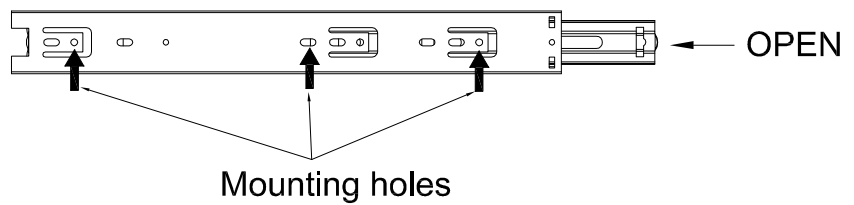
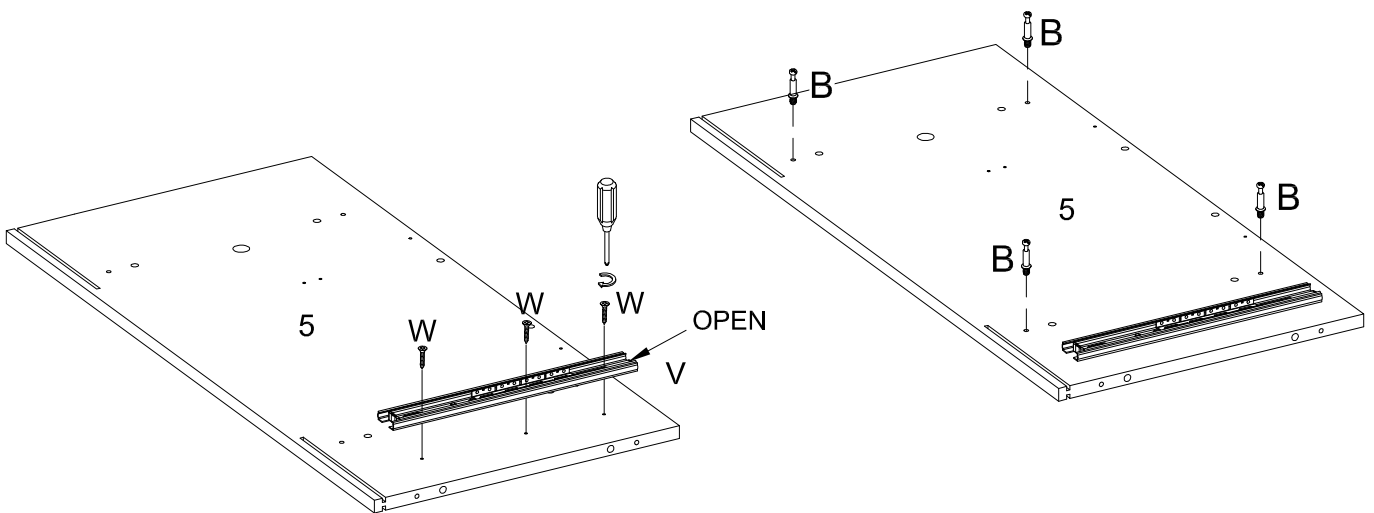
Step 2



Step 3

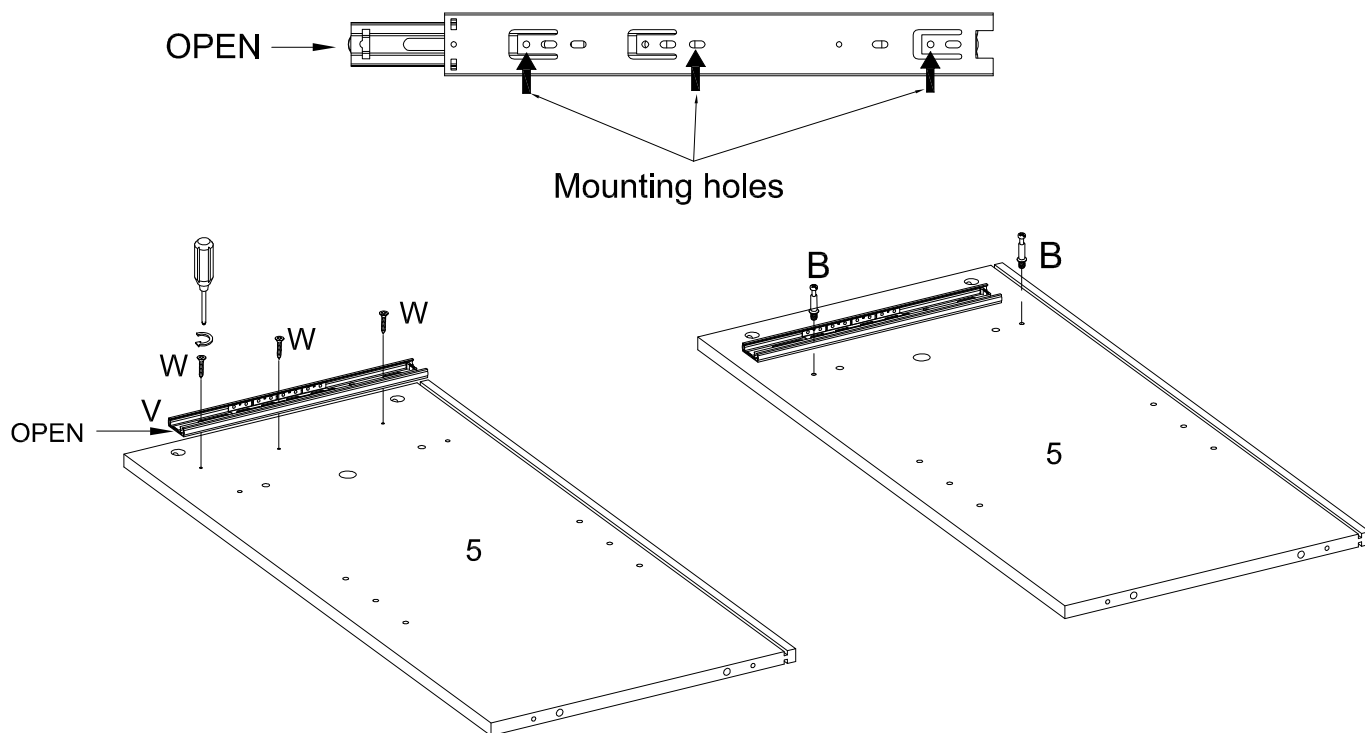


Step 4

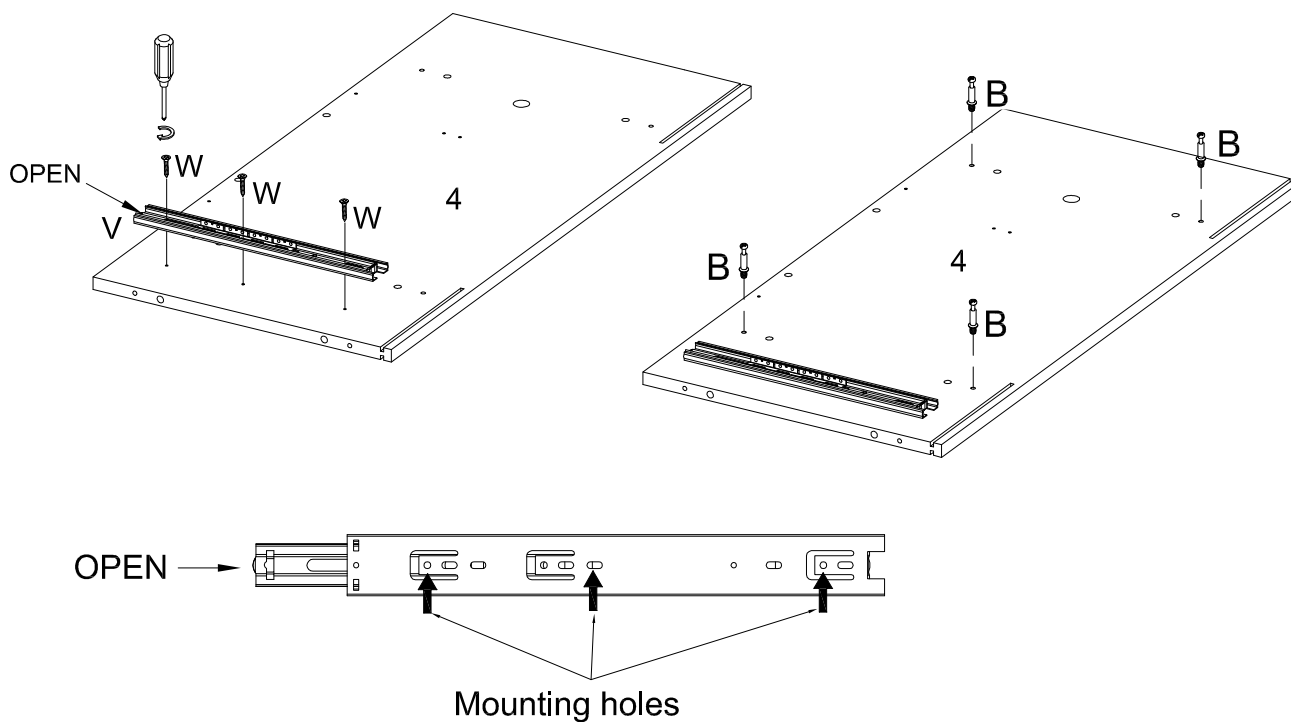


Mounting holes

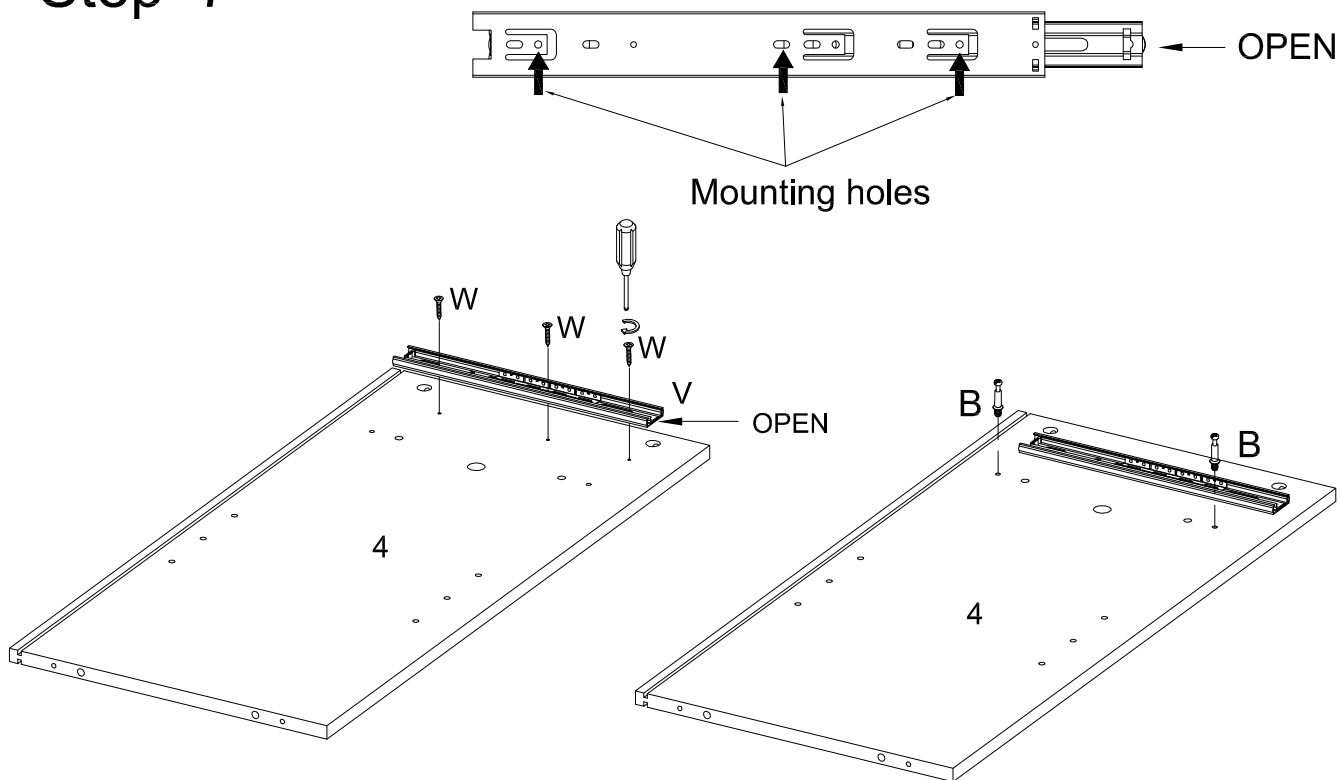
Step 5



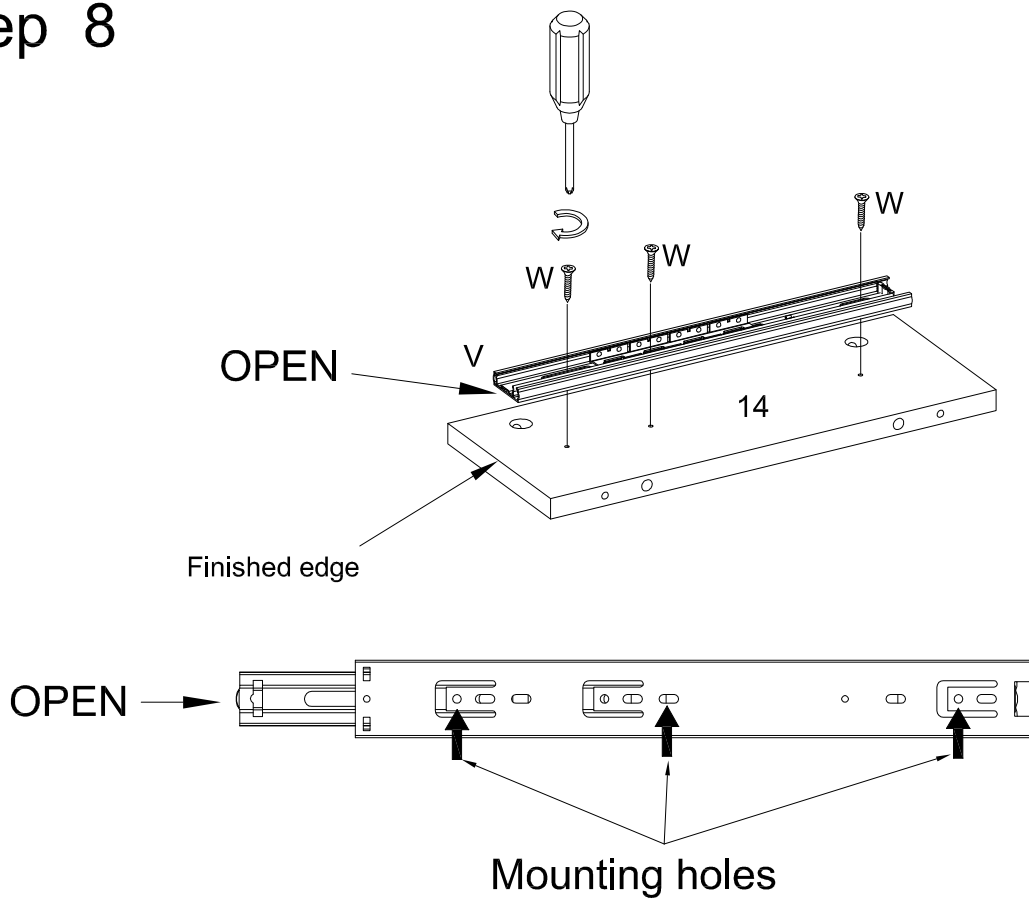
Step 6



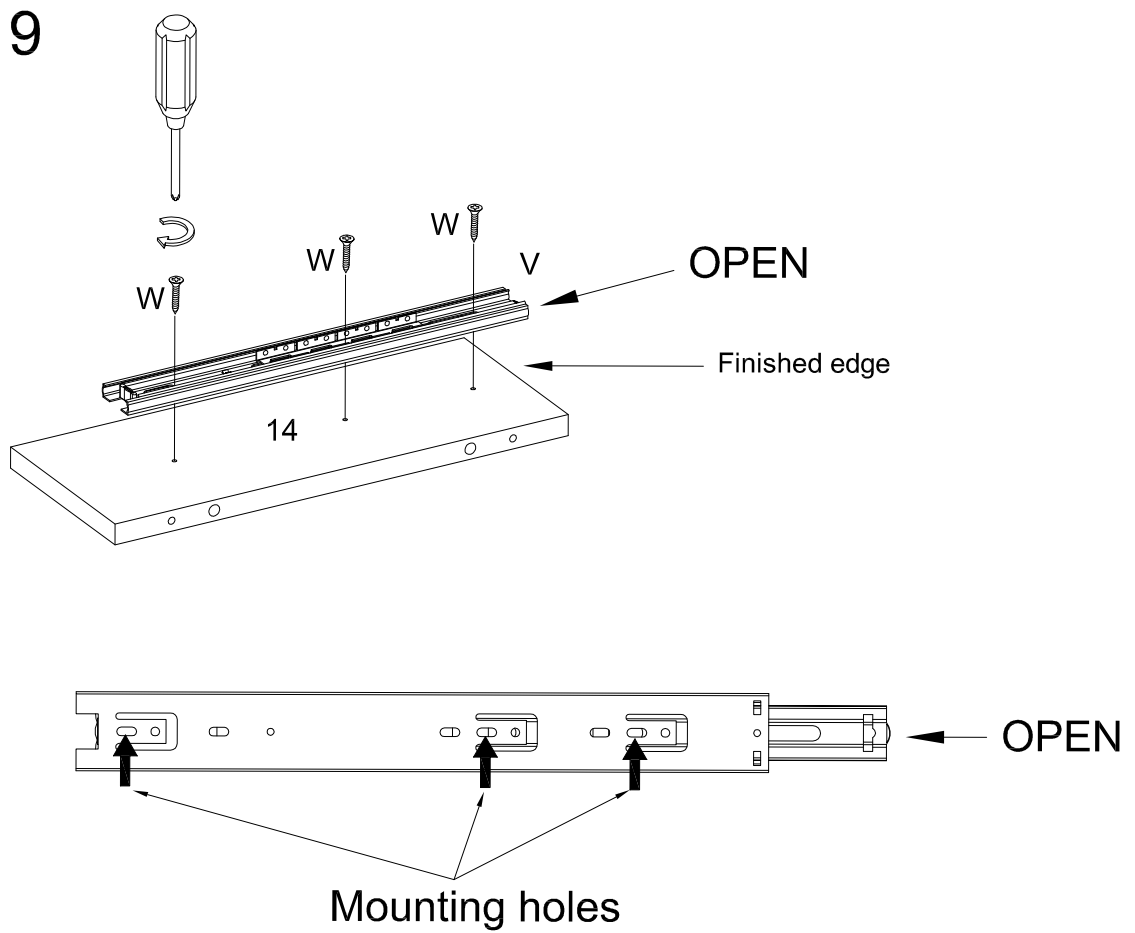
Step 7



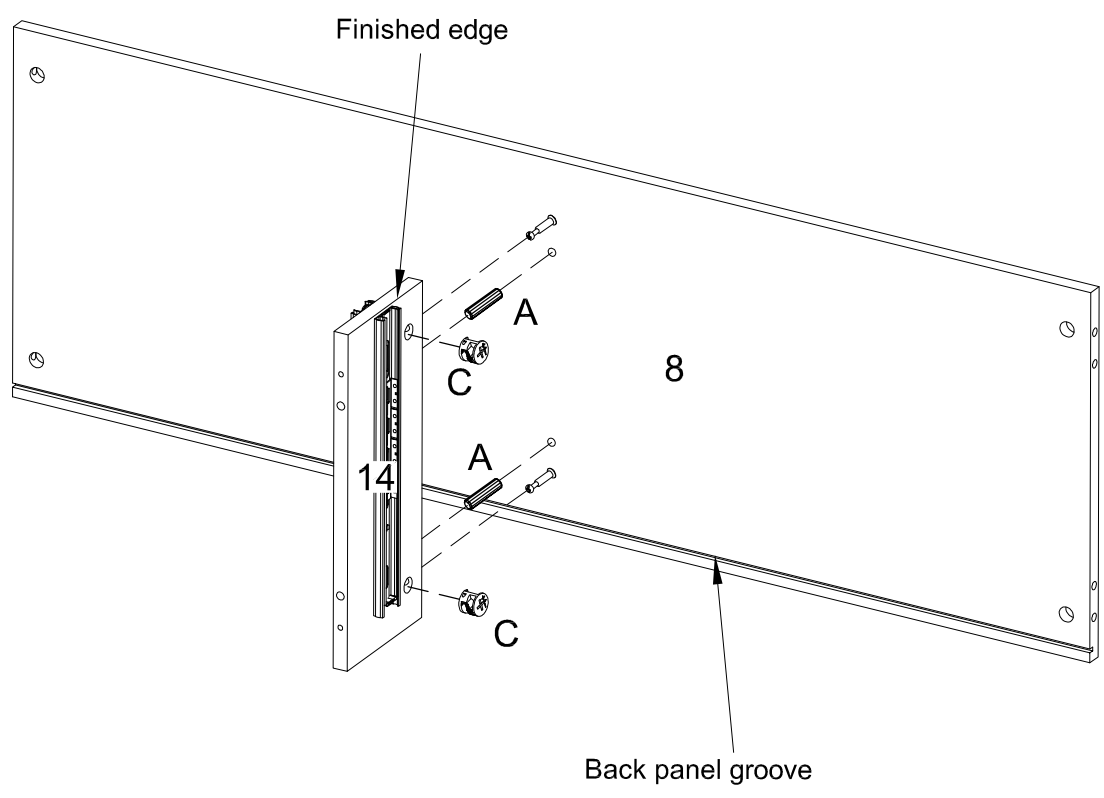
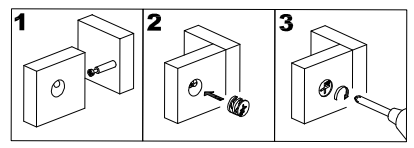
Step 8



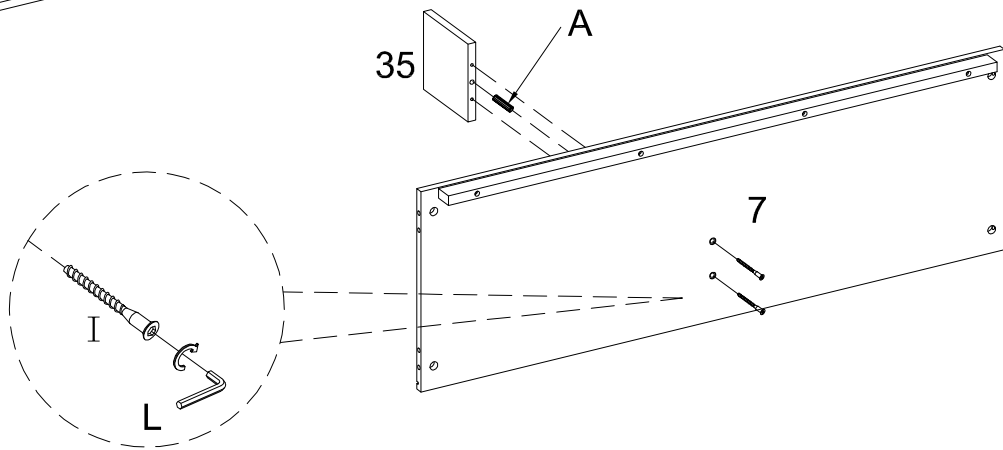
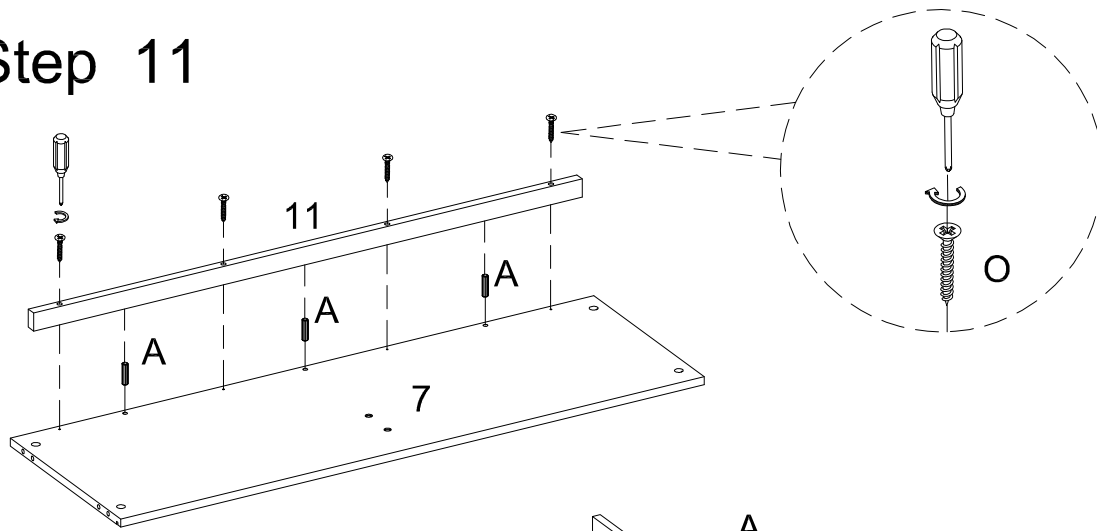
Step 9



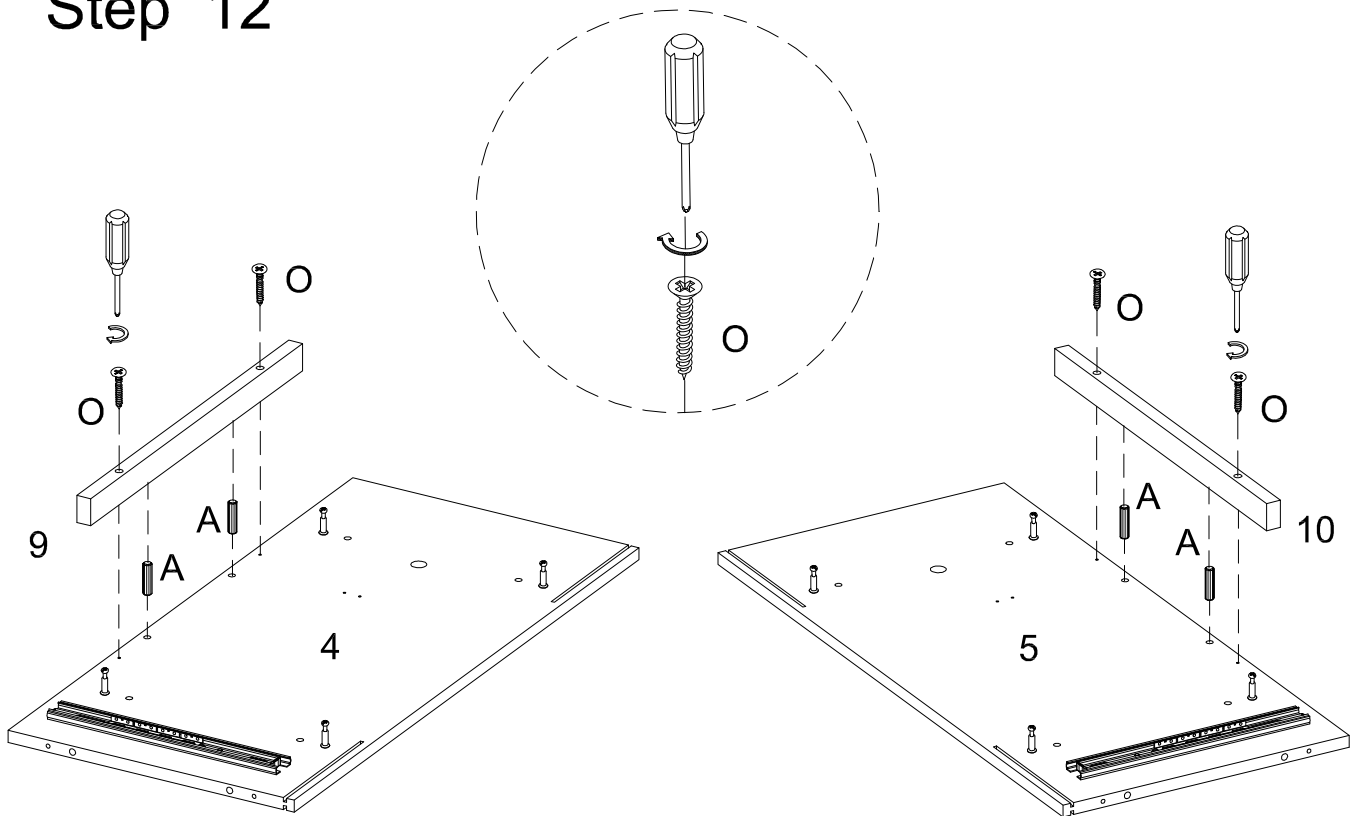
Step 10



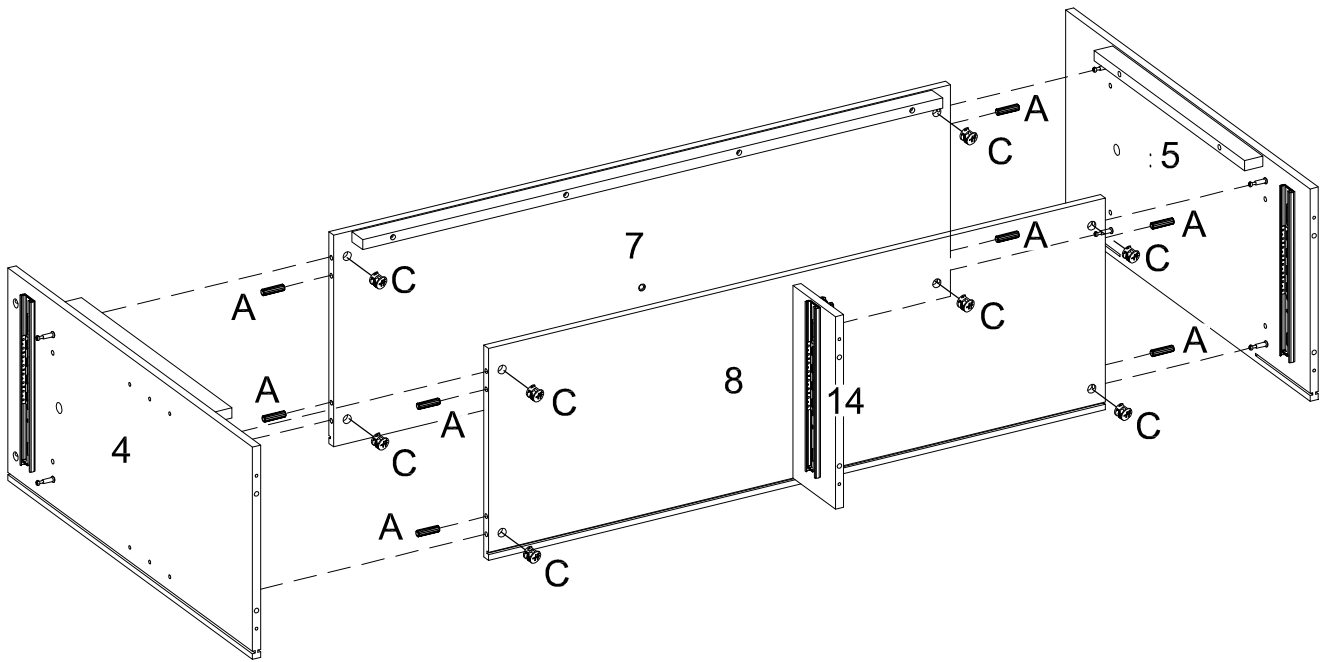
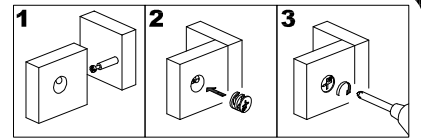
Step 11



Step 12



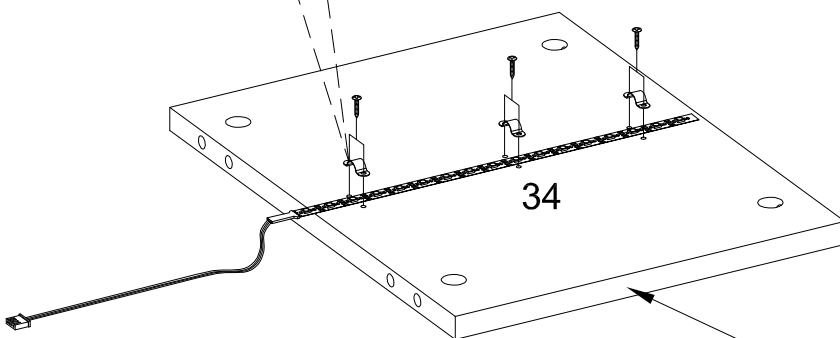
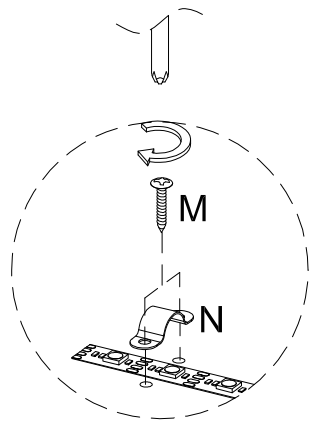
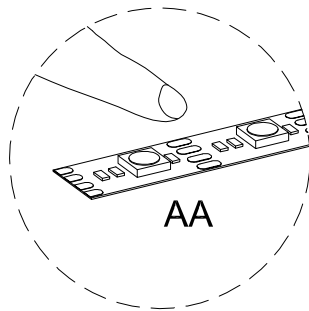
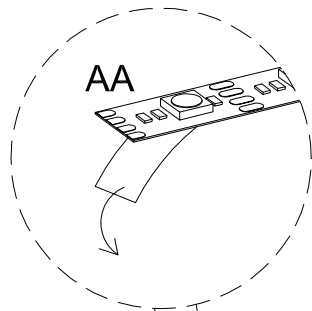
Step 13



Step 14

Remove the tape

Press

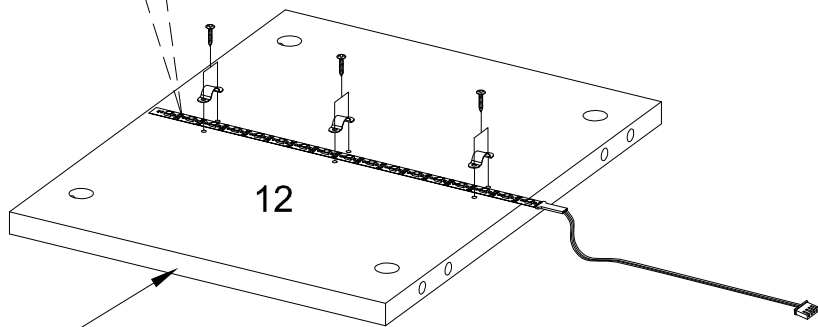
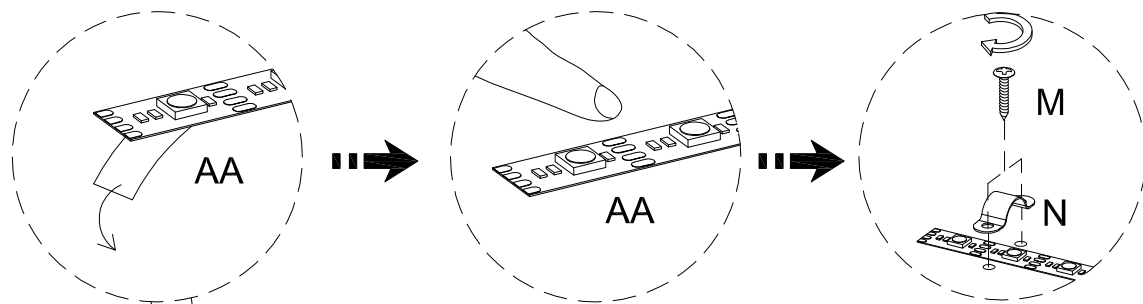


Unfinished edge

Step 15

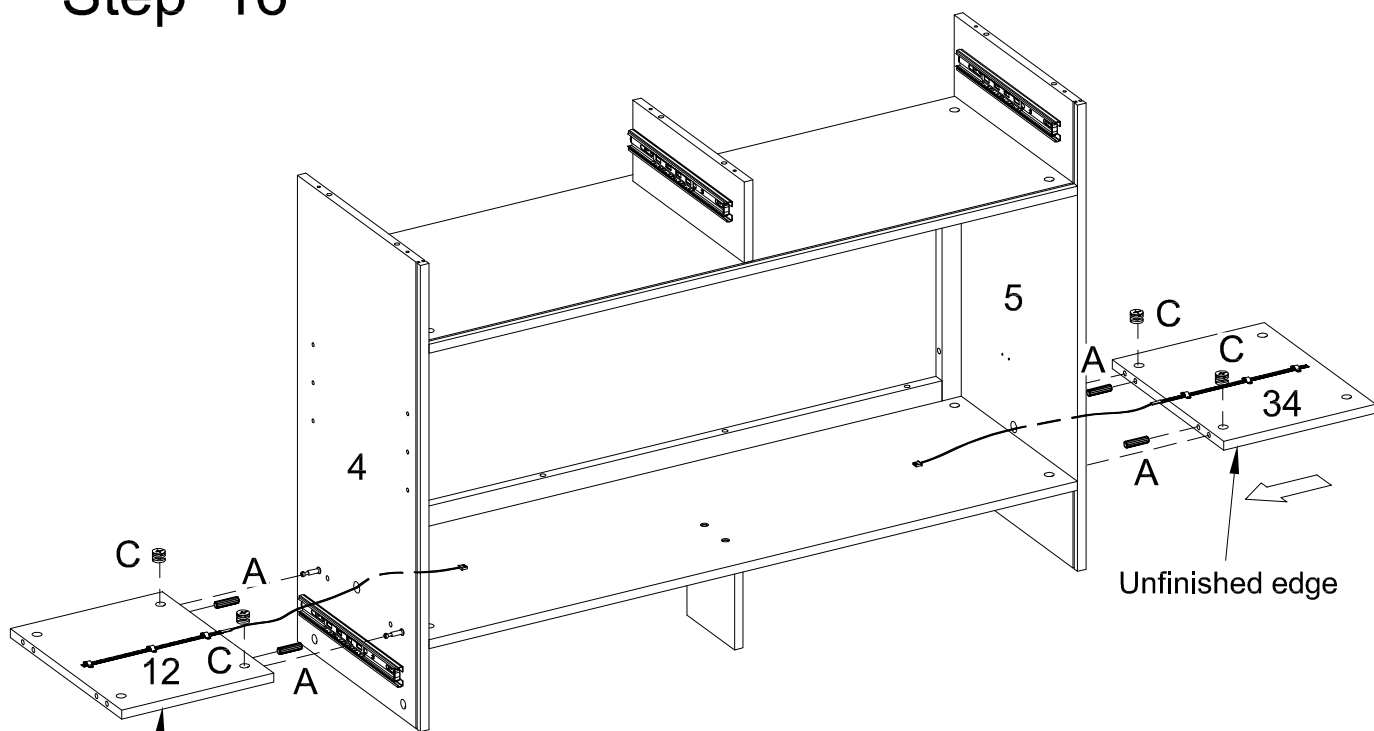
Remove the tape

Press

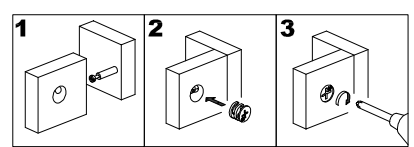


Unfinished edge

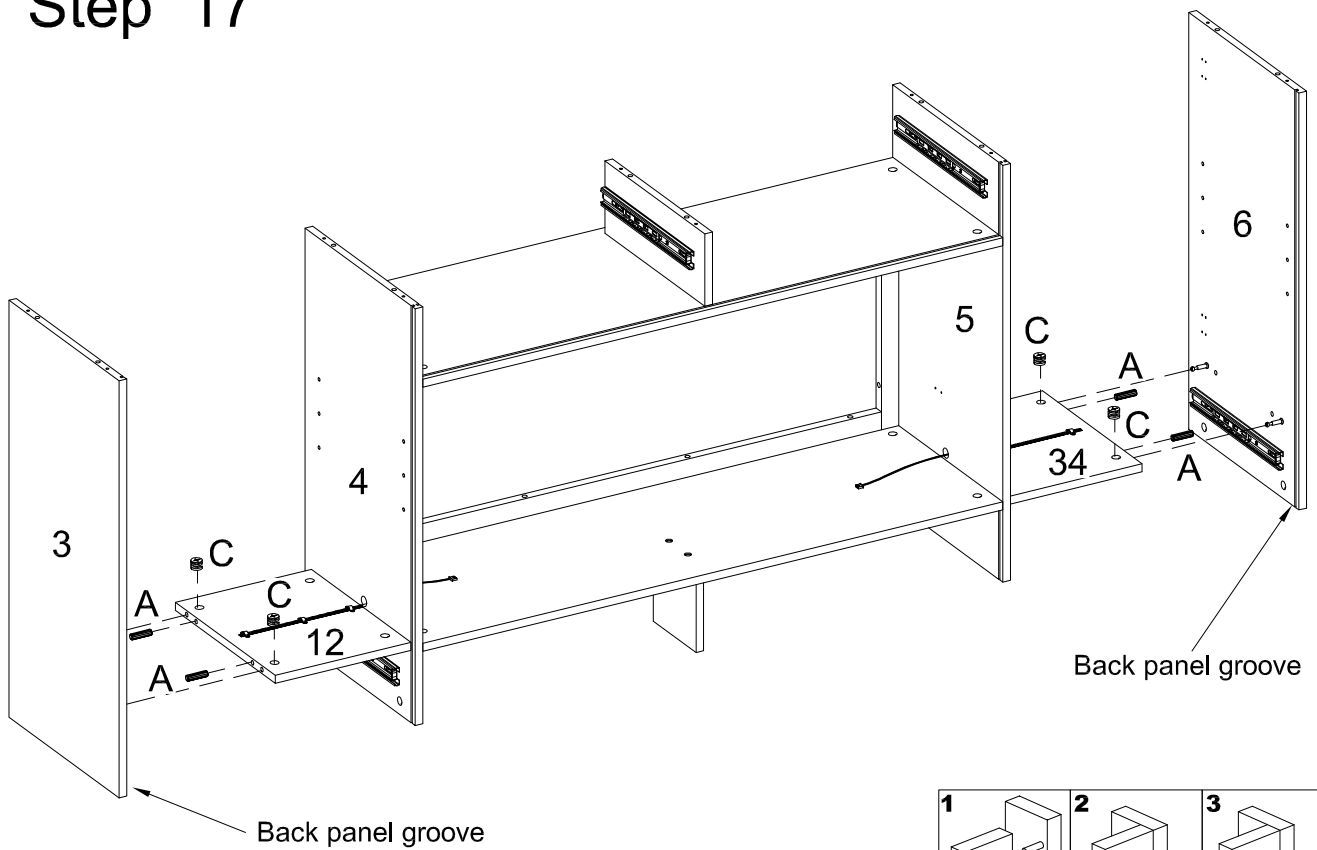
Step 16



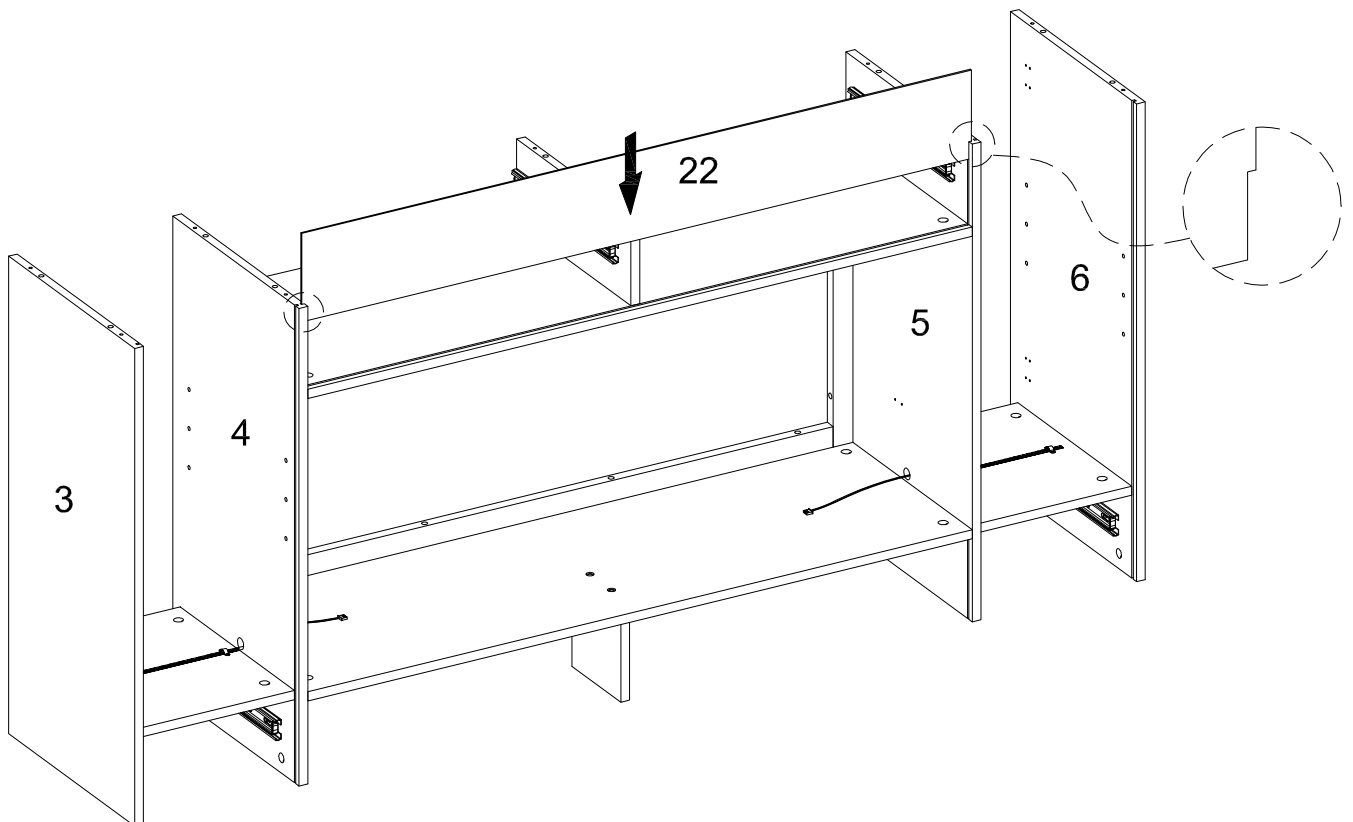
Unfinished edge



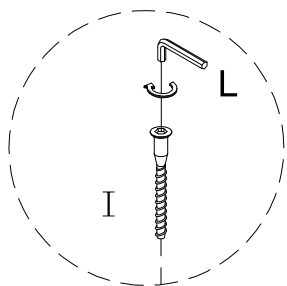
Step 17



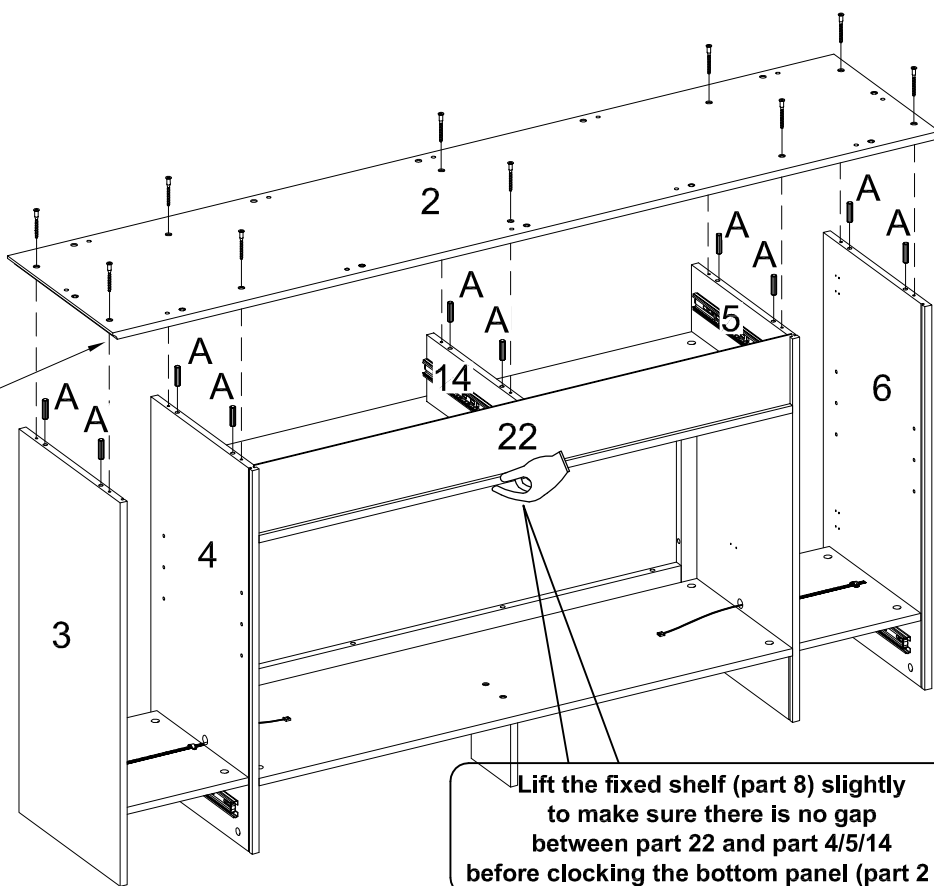
Step 18



Step 19

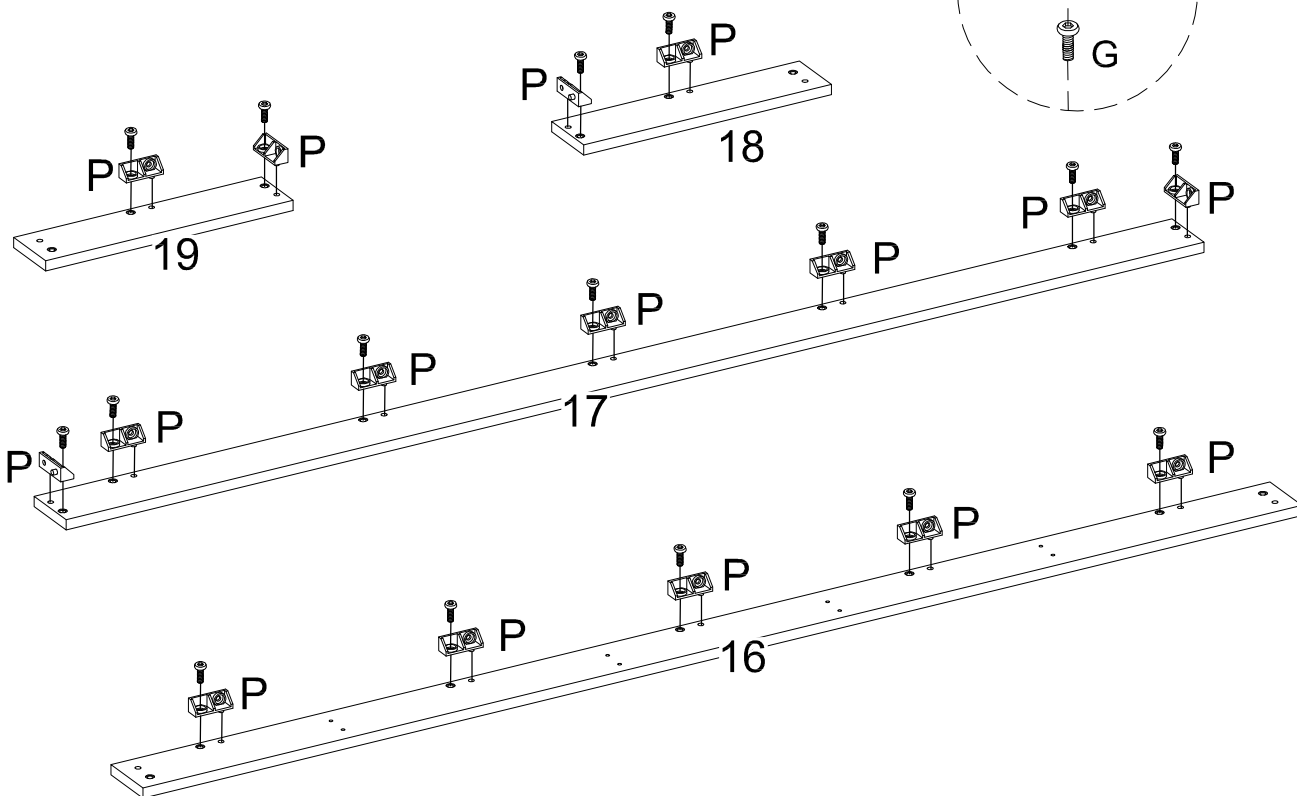
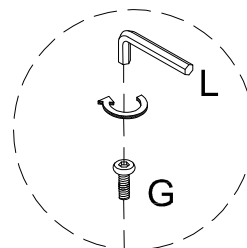


Back panel groove

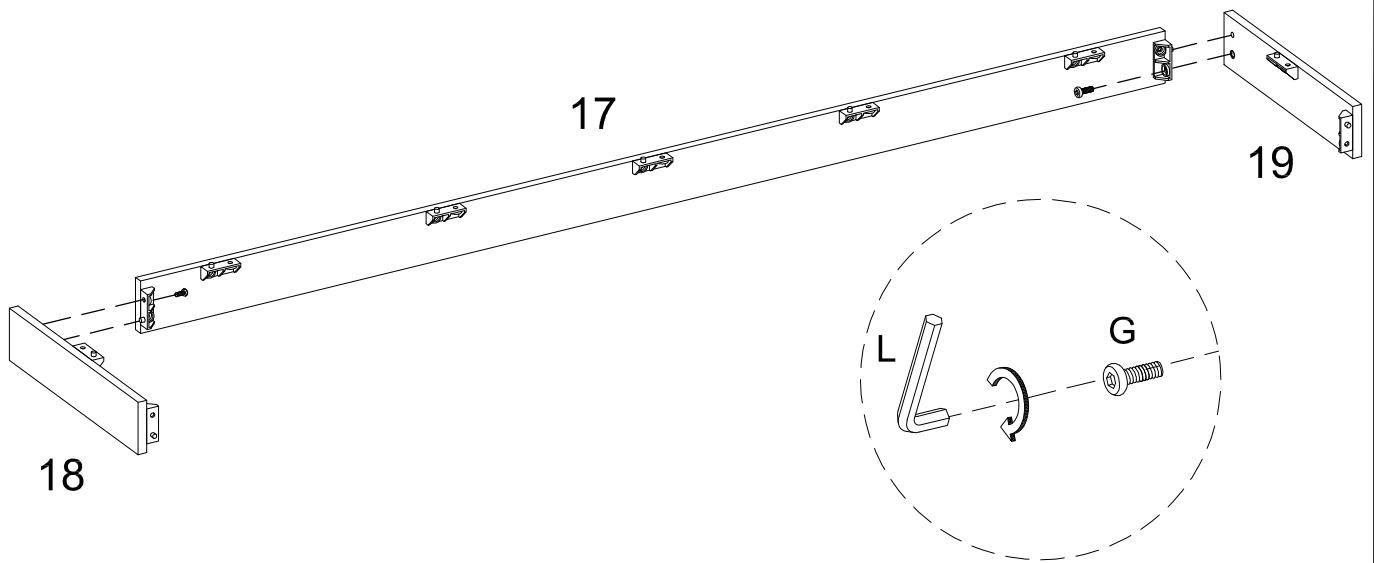


Lift the fixed shelf (part 8) slightly to make sure there is no gap between part 22 and part 4/5/14 before clocking the bottom panel (part 2).

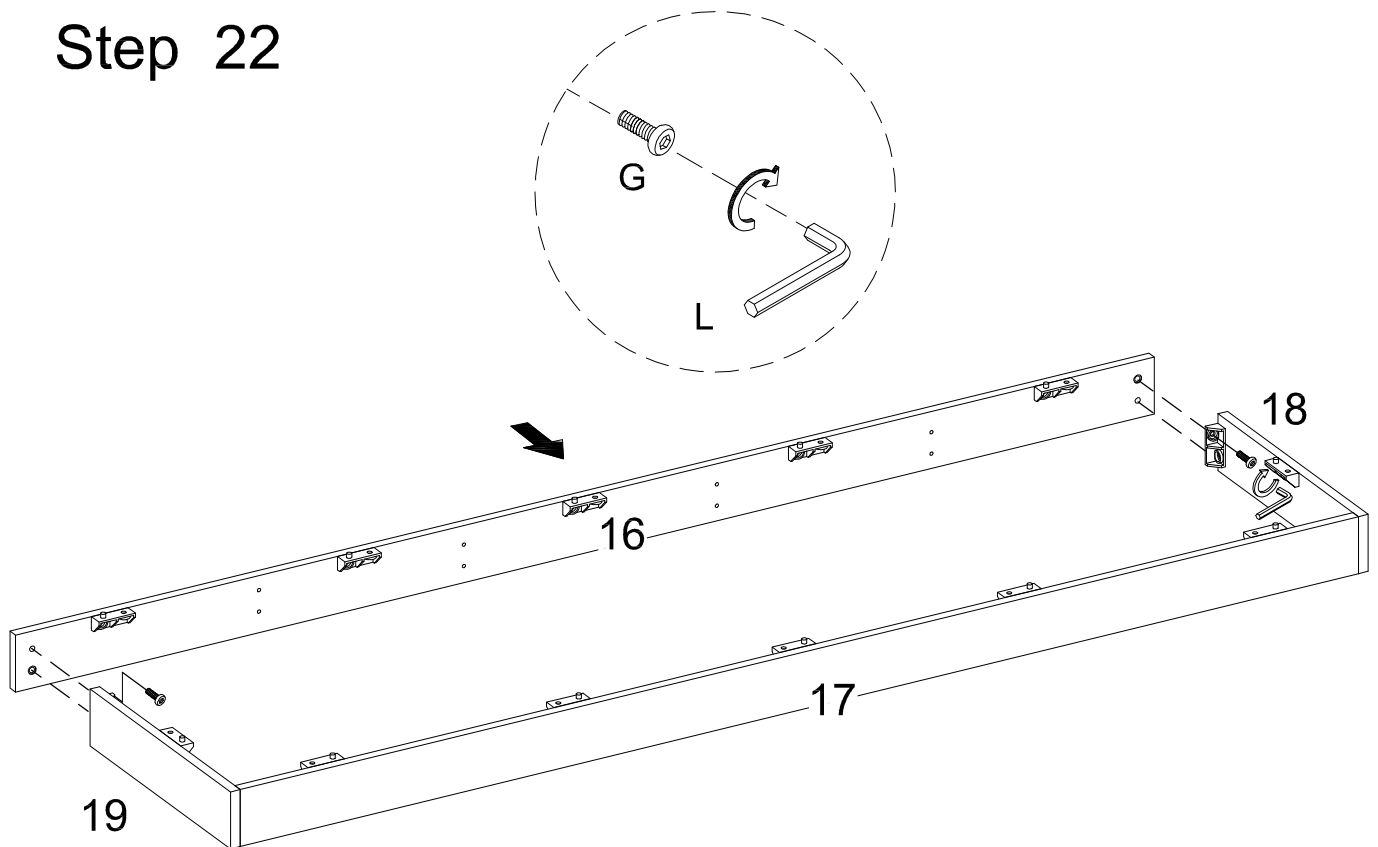
Step 20



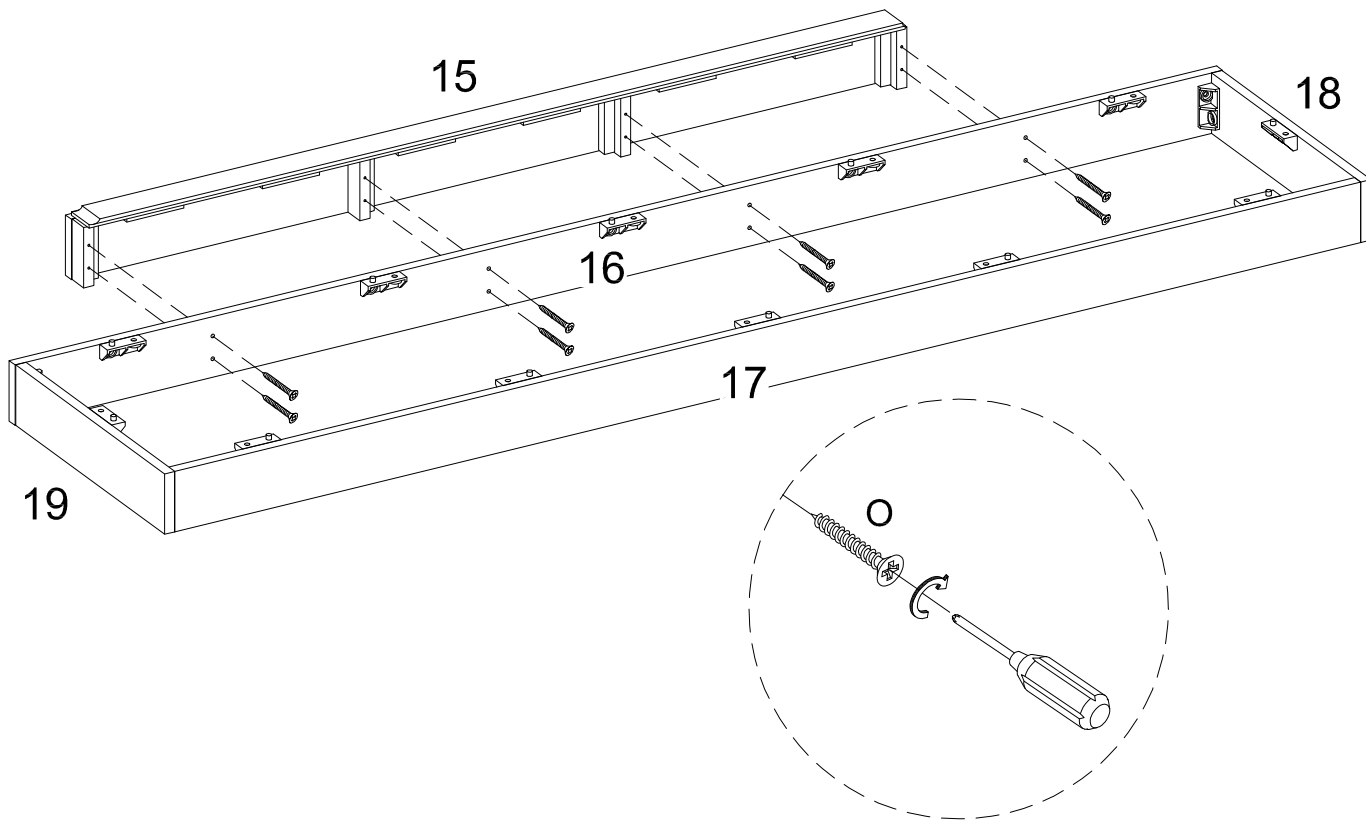
Step 21



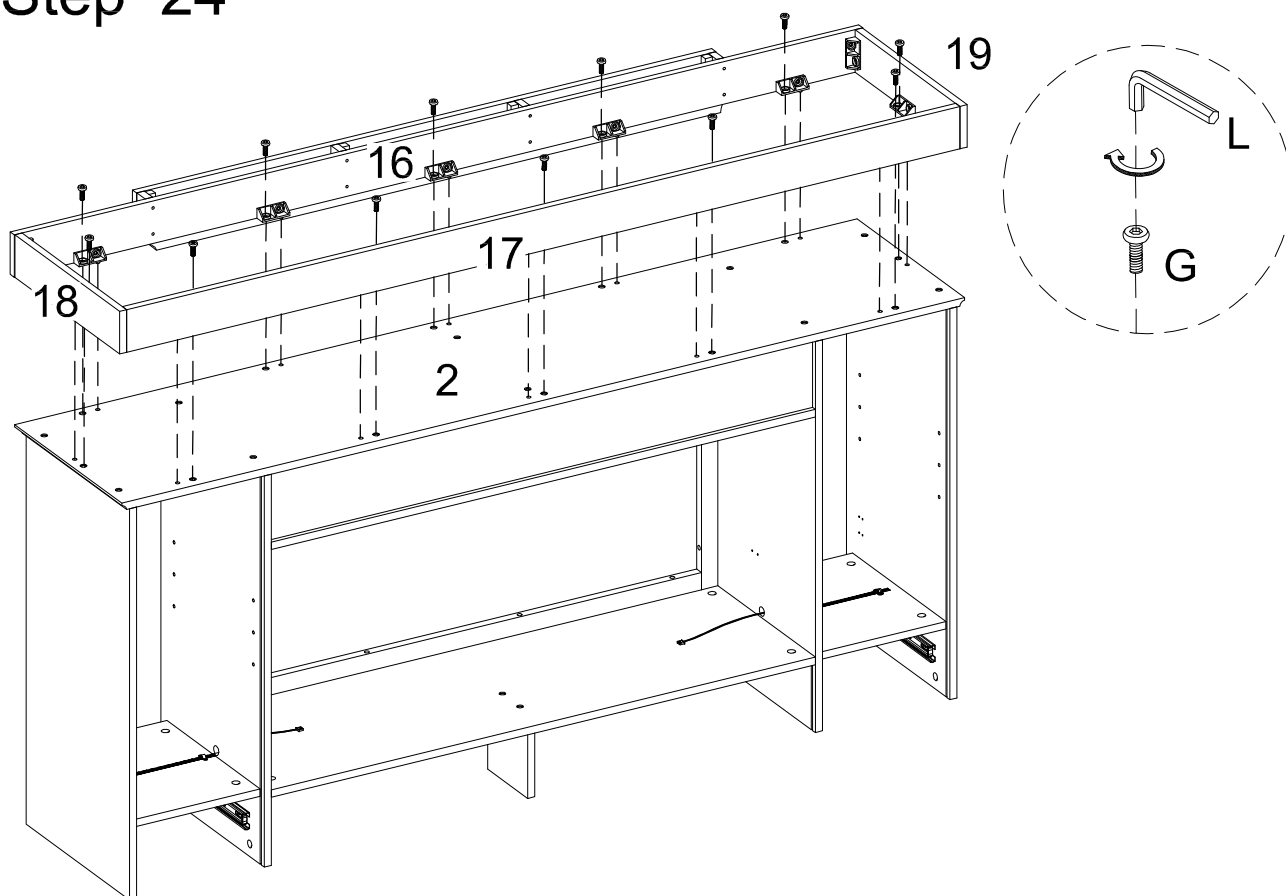
Step 22



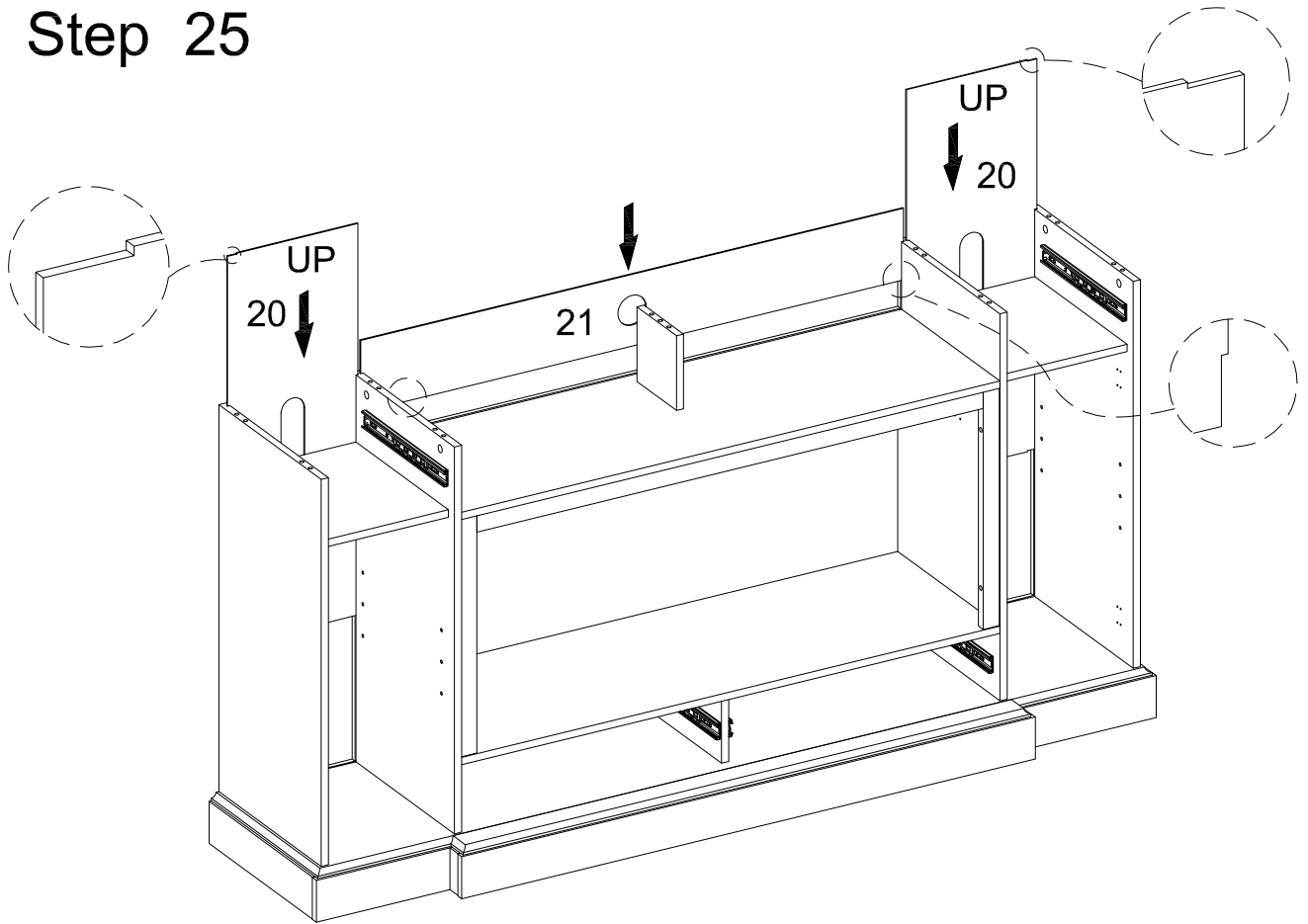
Step 23



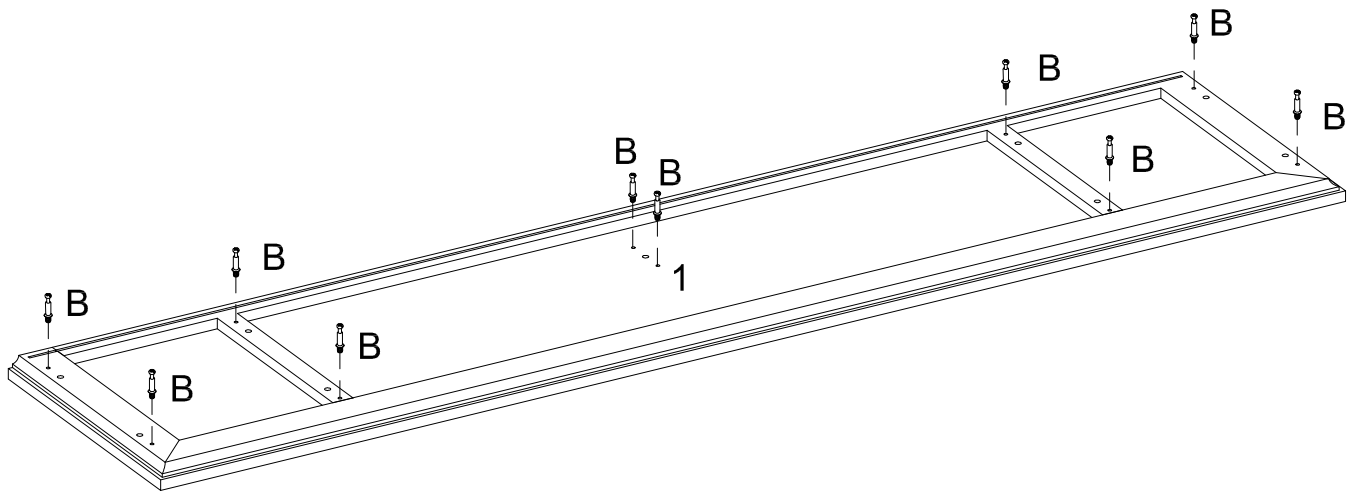
Step 24



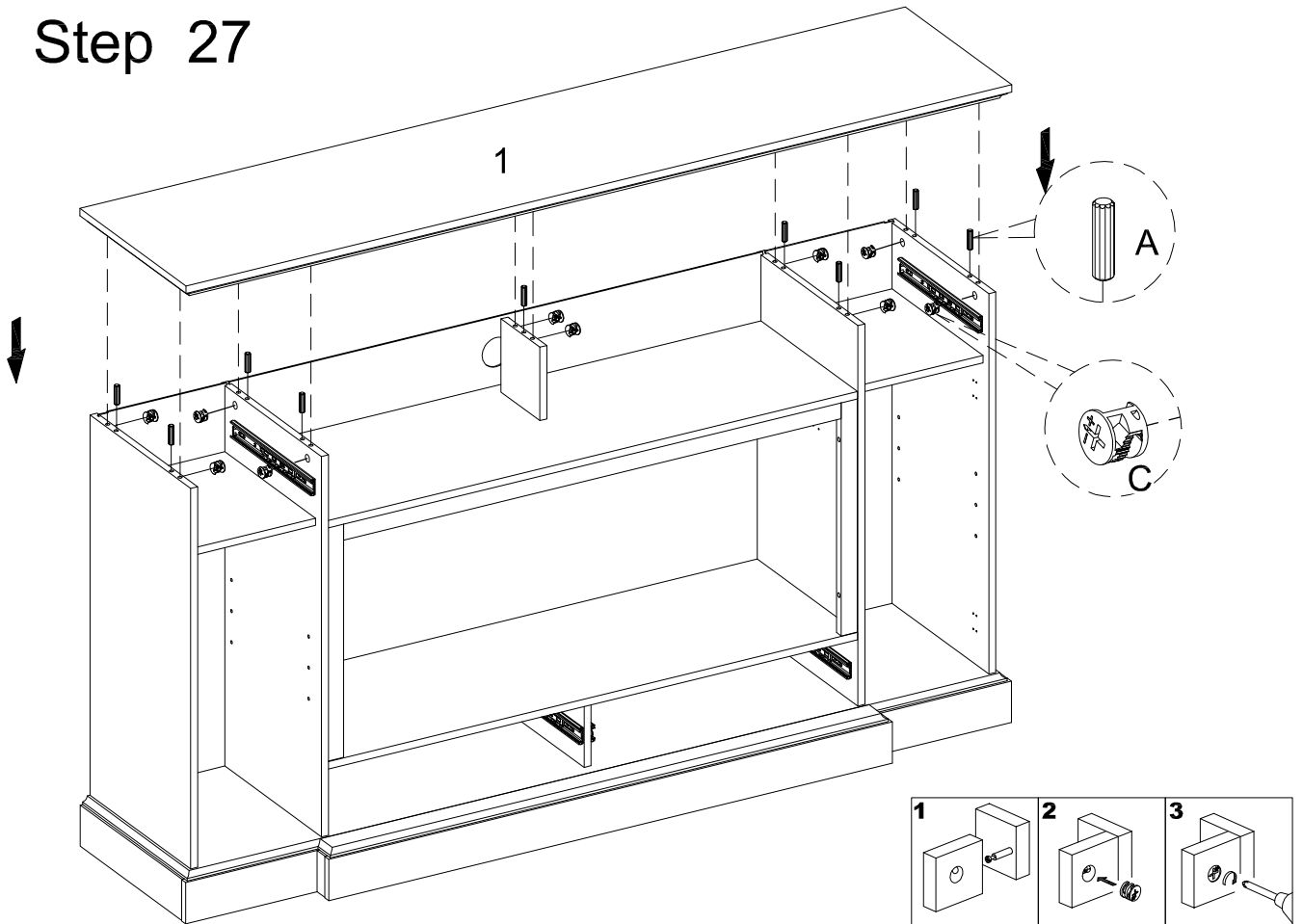
Step 25



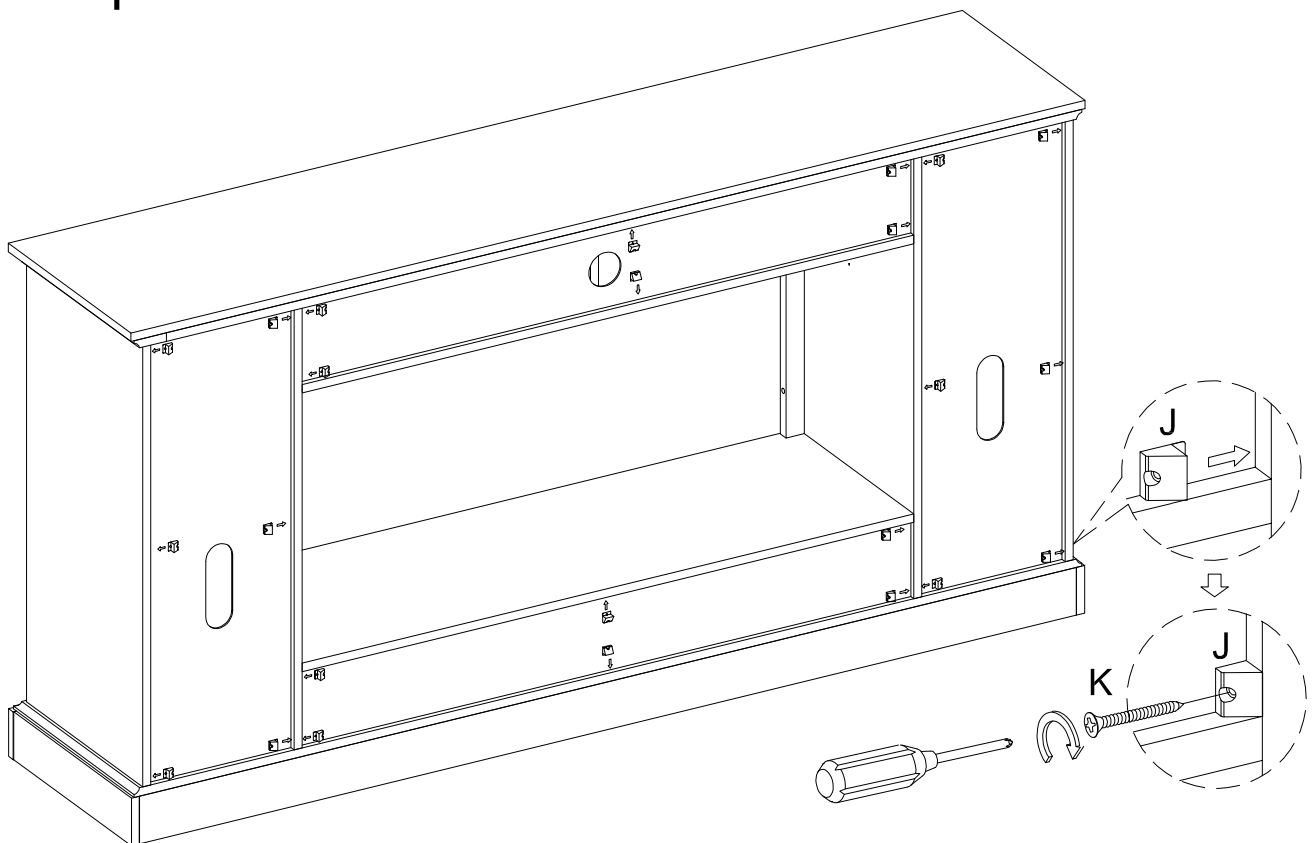
Step 26



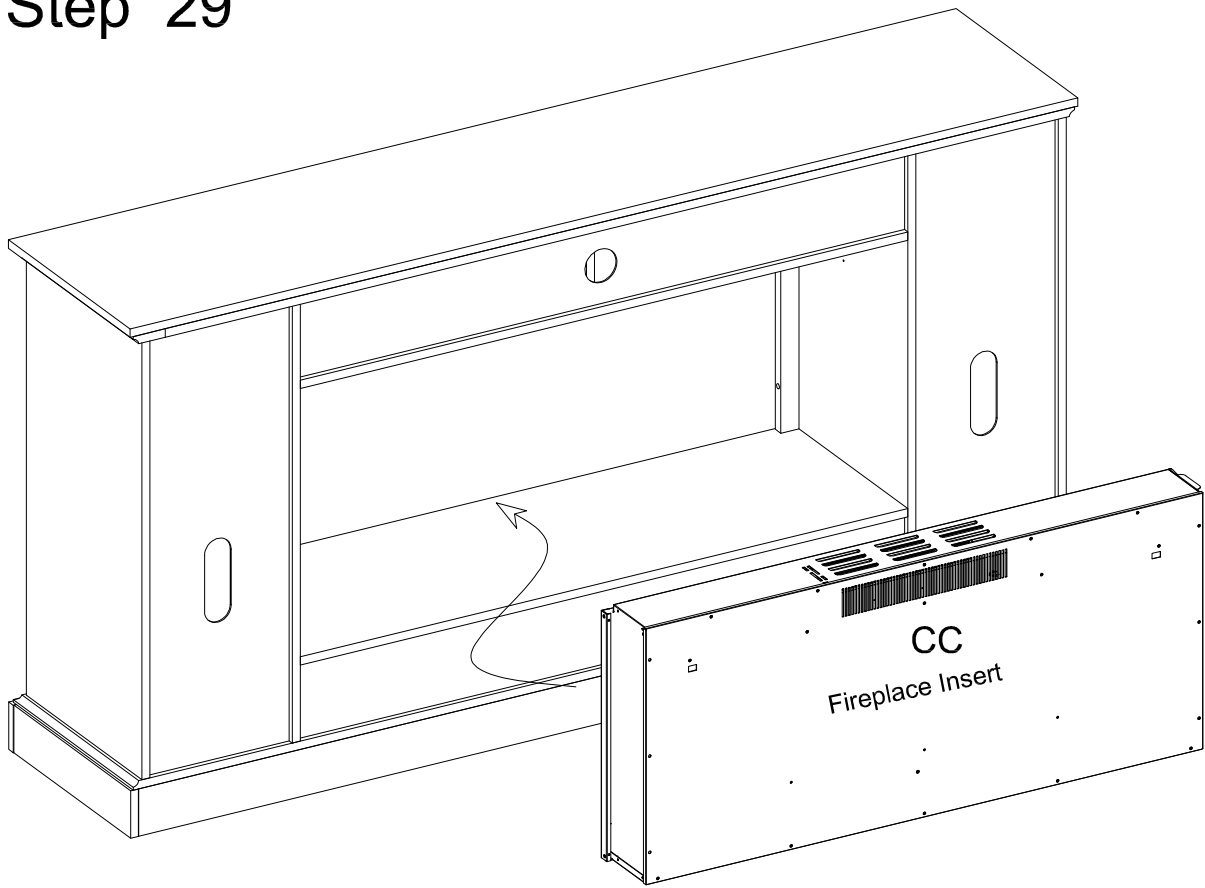
Step 27



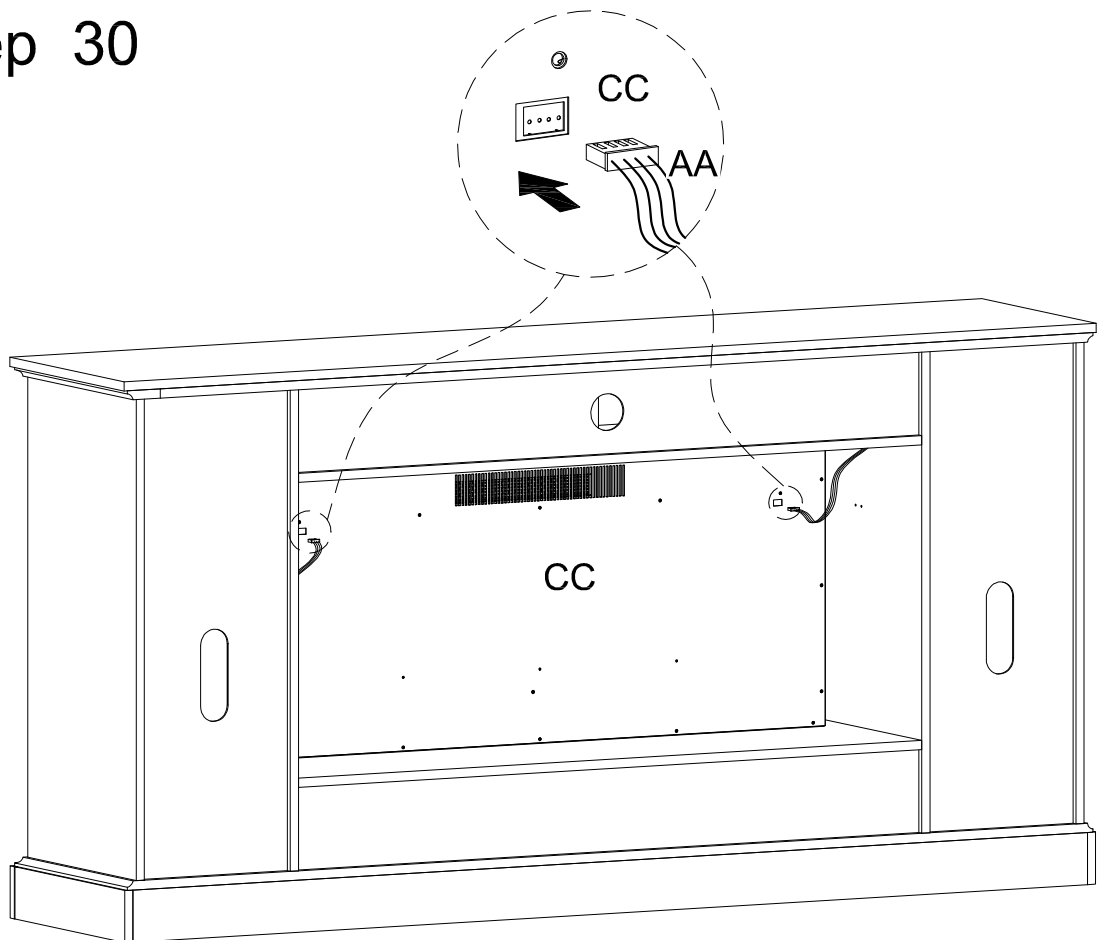
Step 28



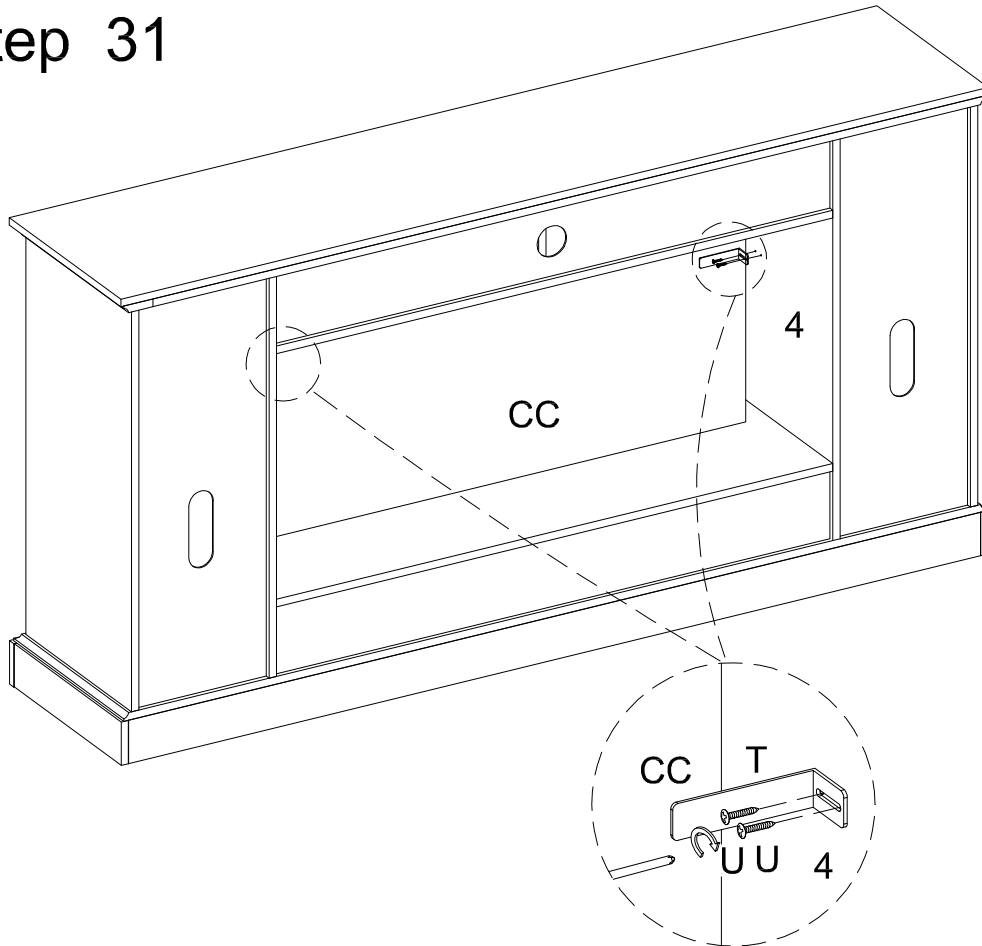
Step 29



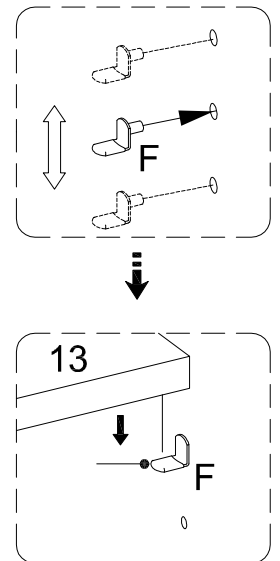
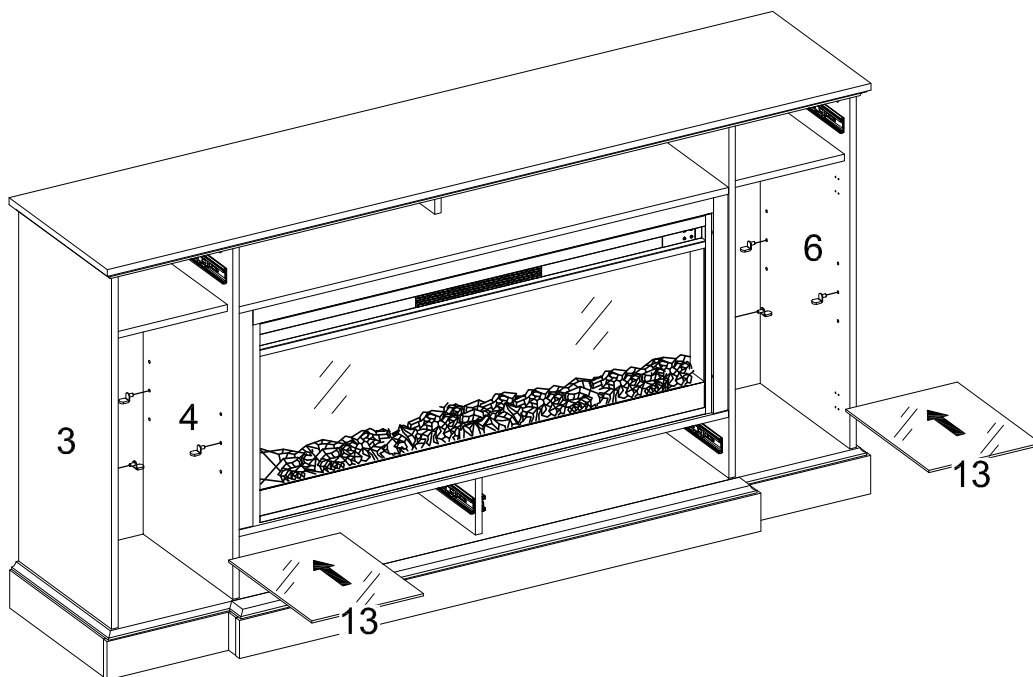
Step 30



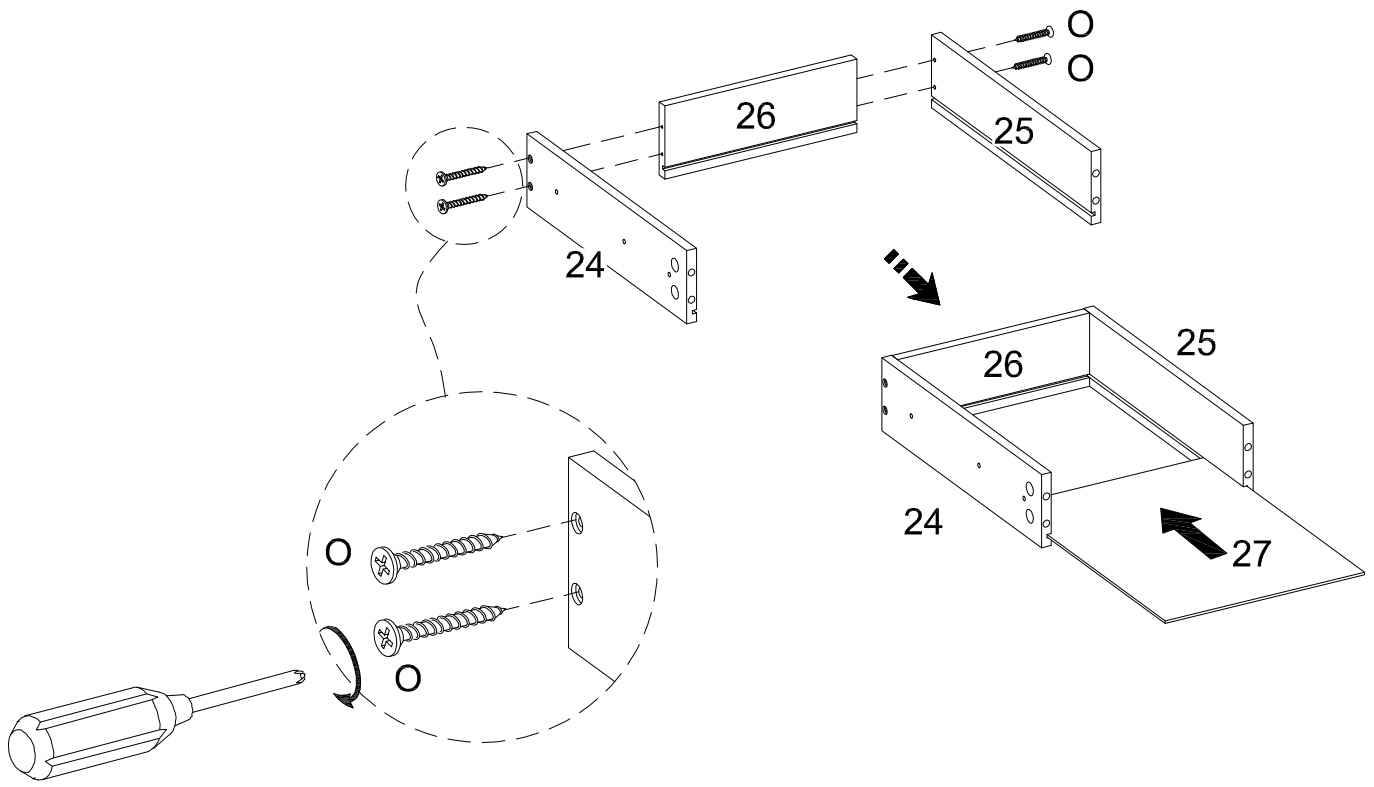
Step 31



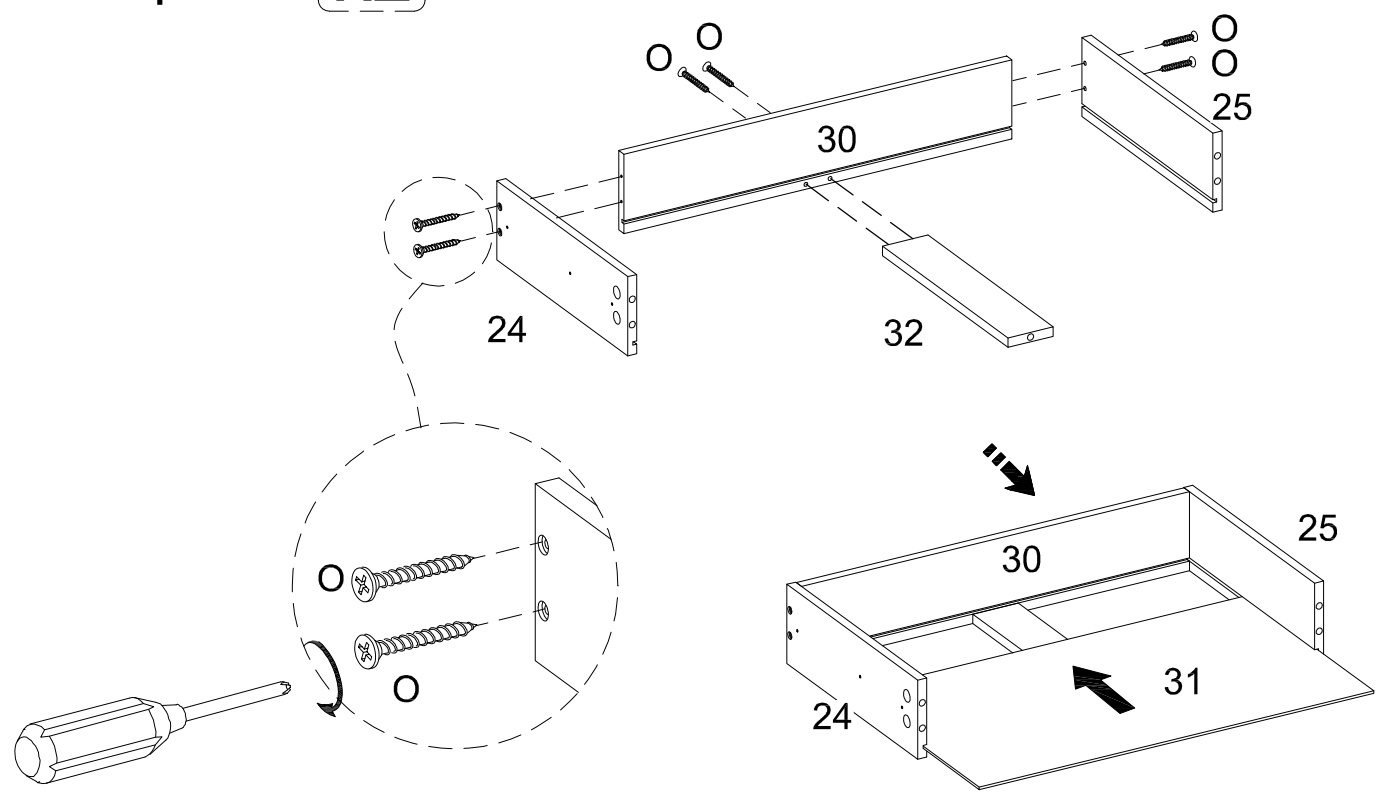
Step 32



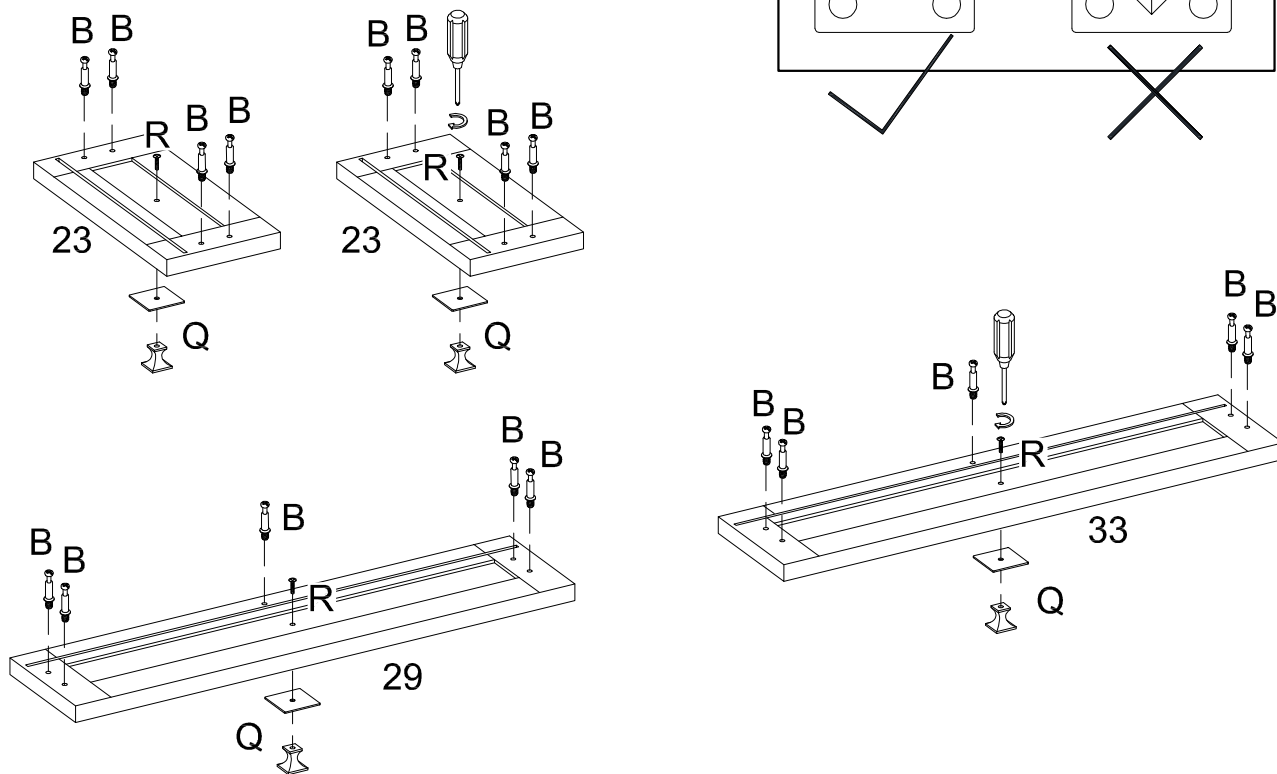
Step 33 x2



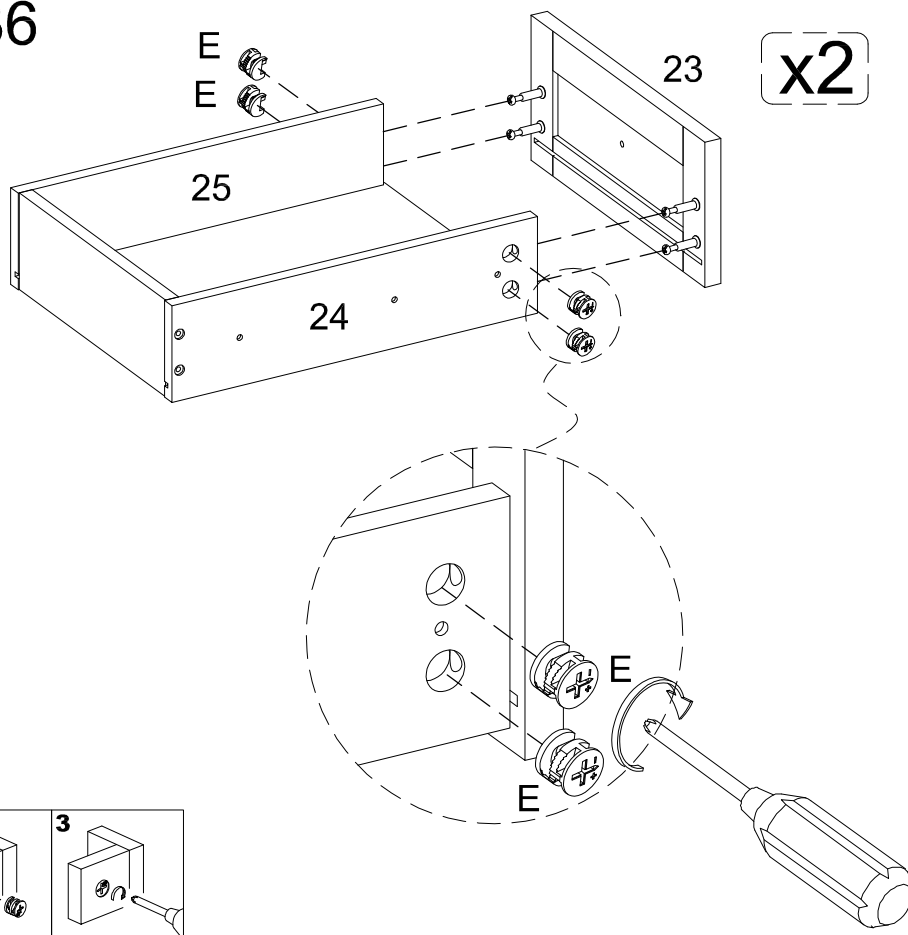
Step 34 x2



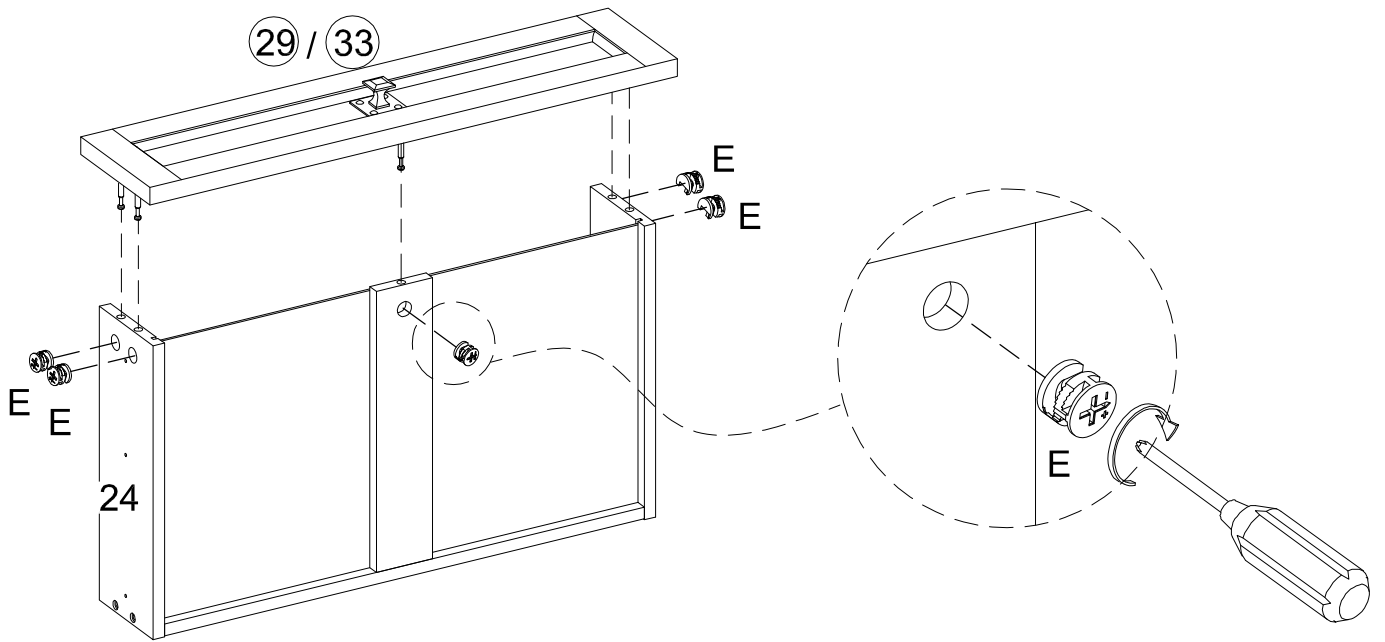
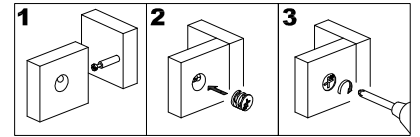
Step 35



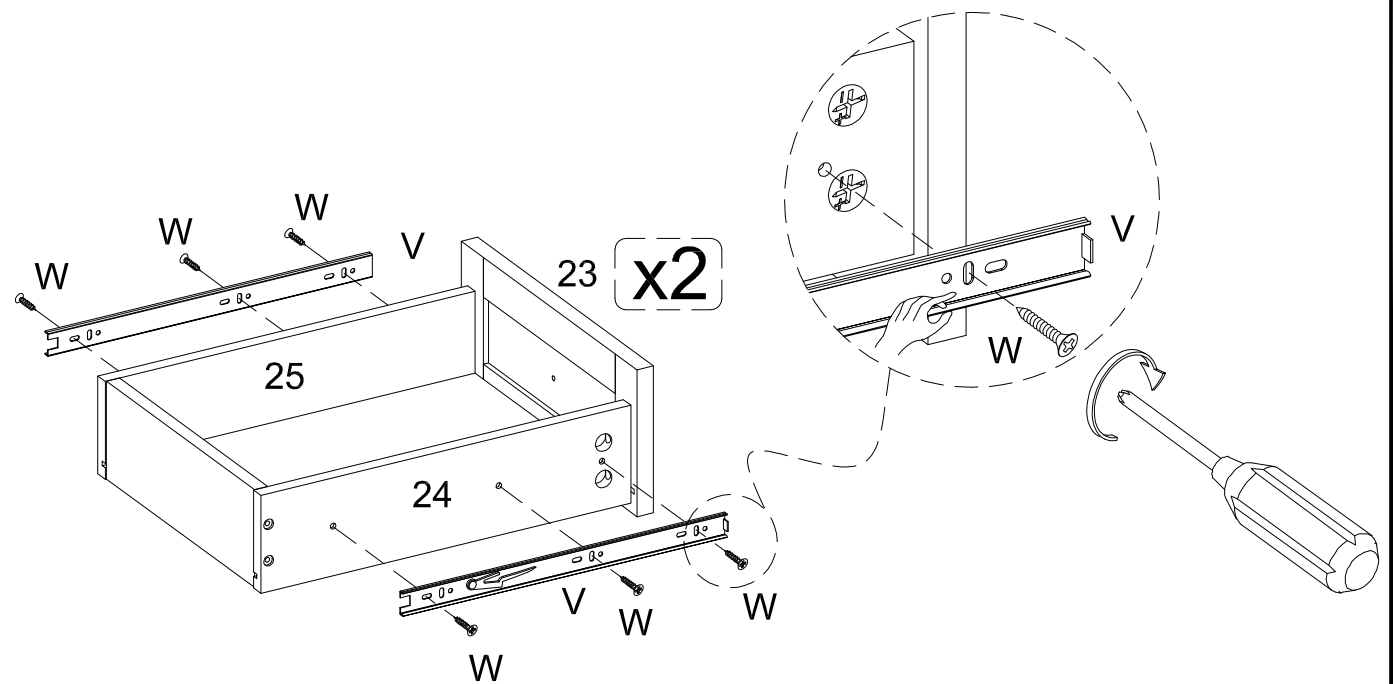
Step 36



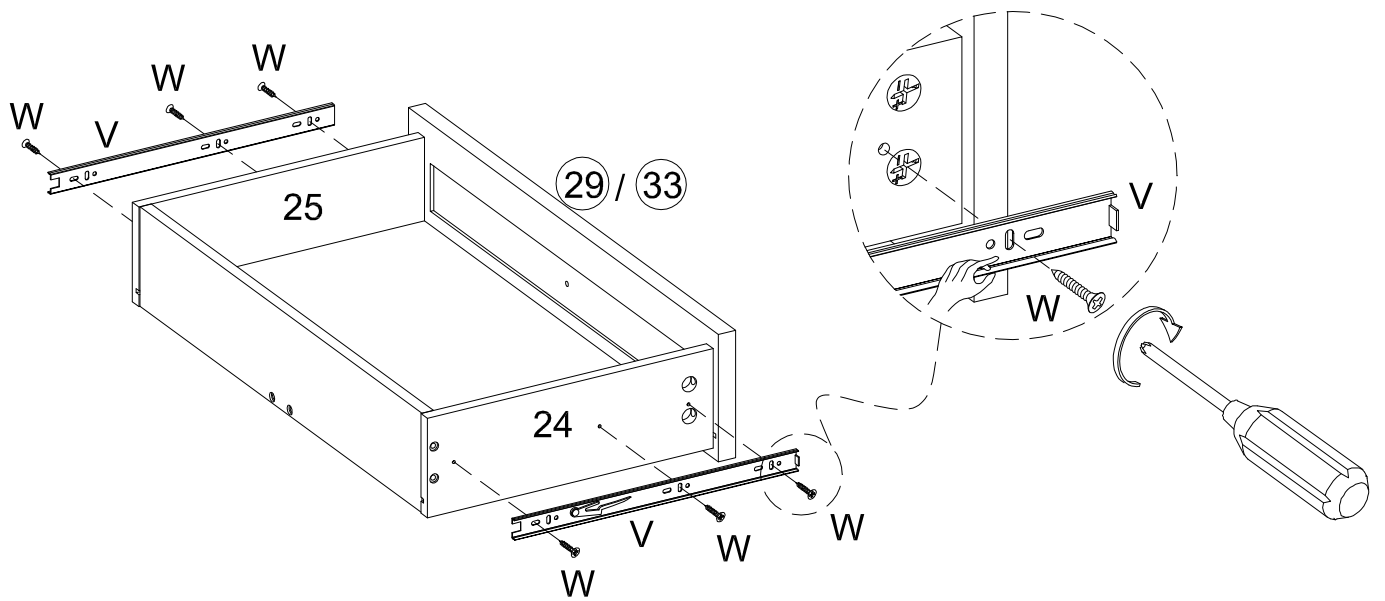
Step 37



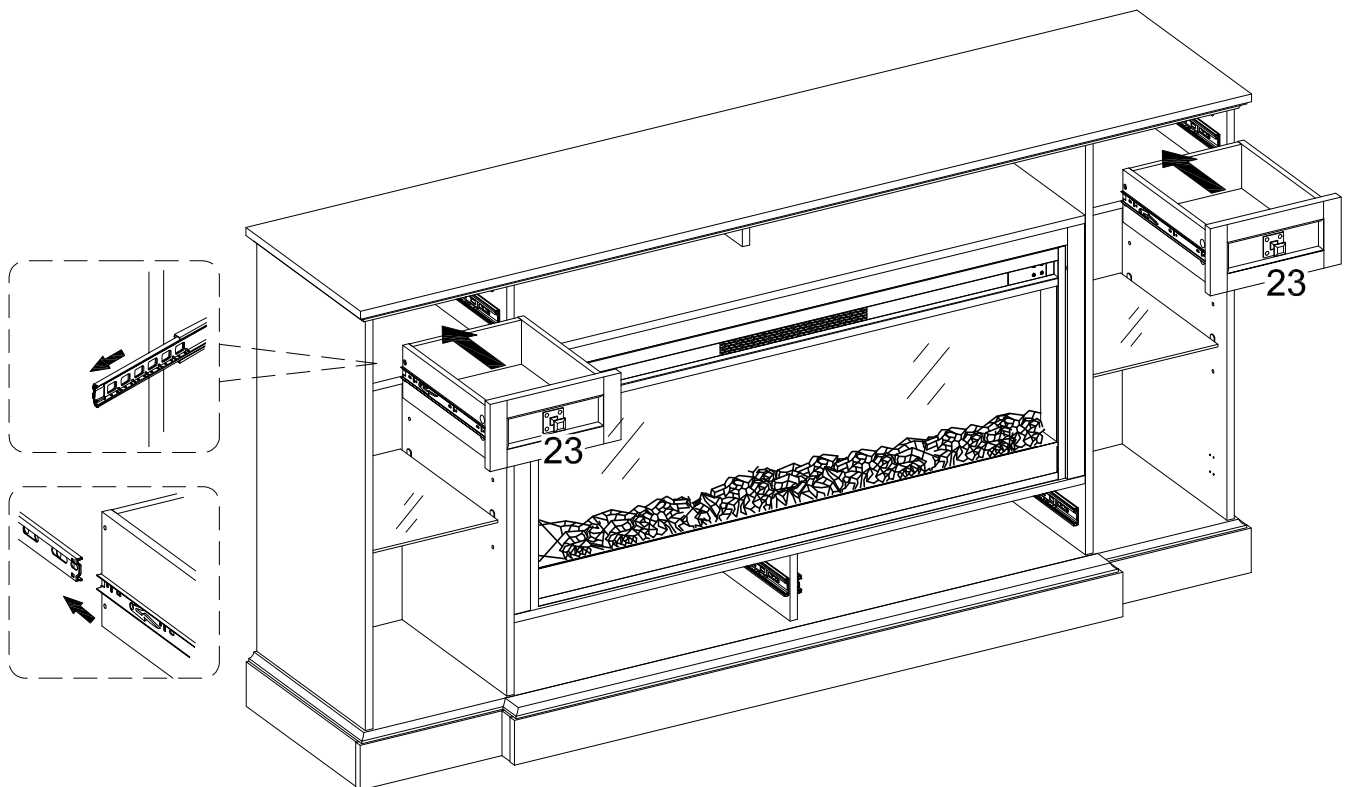
Step 38



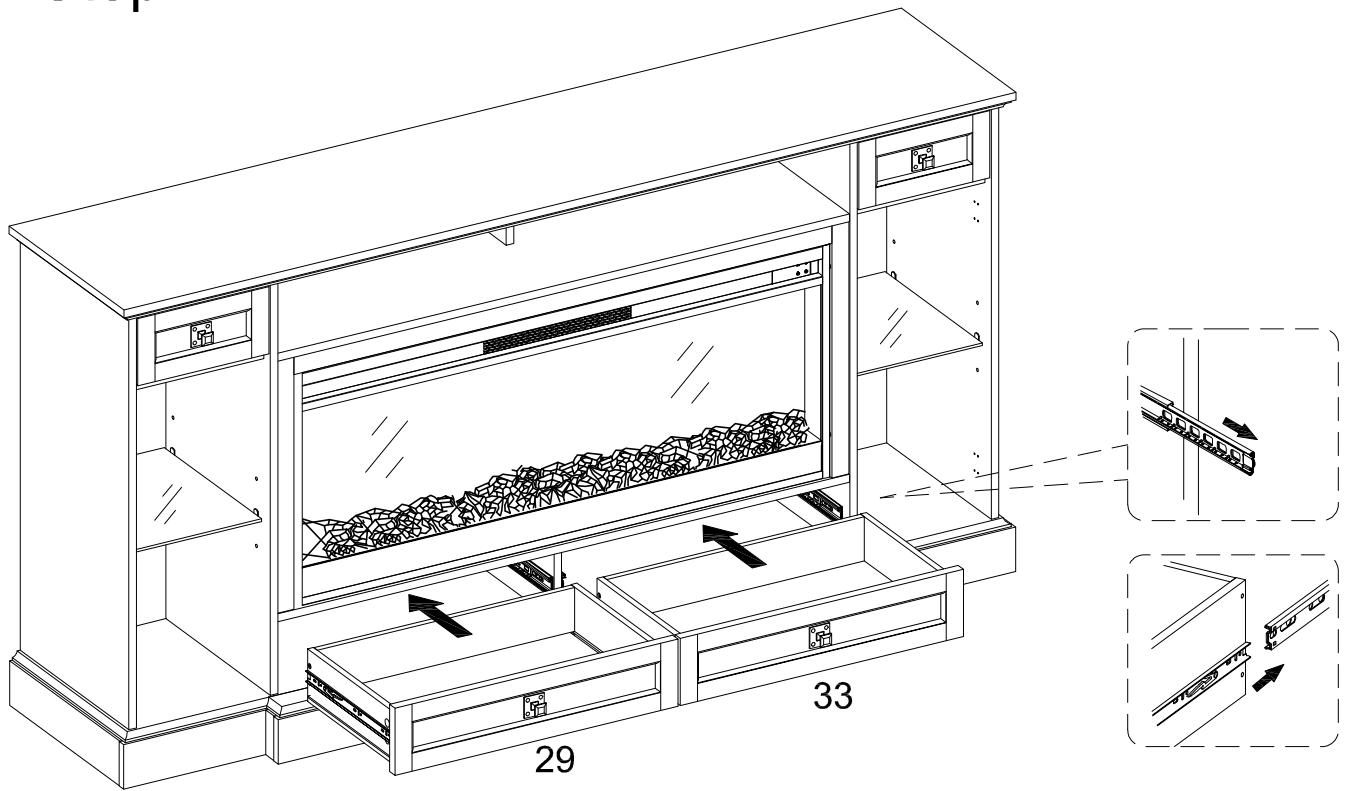
Step 39



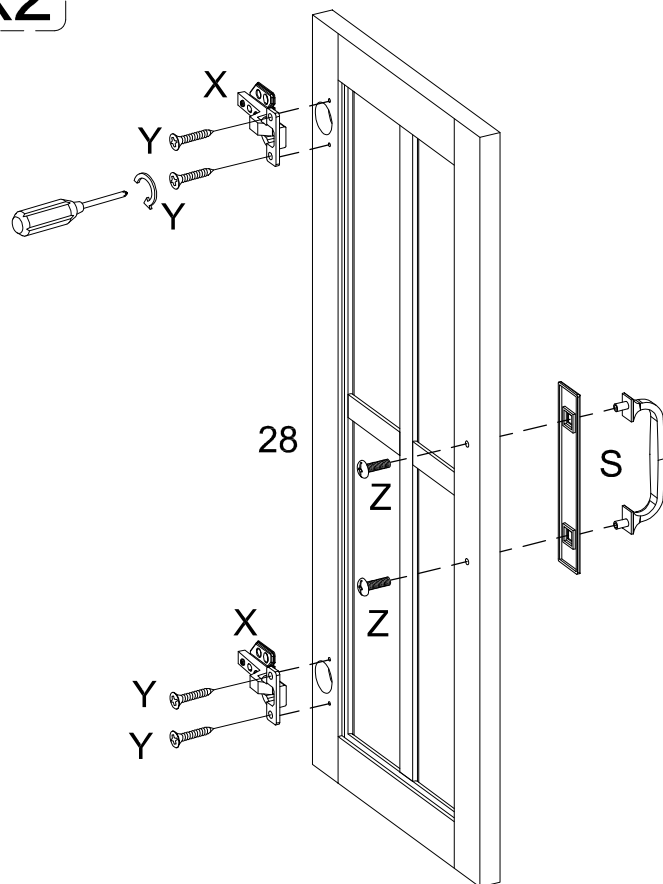
Step 40



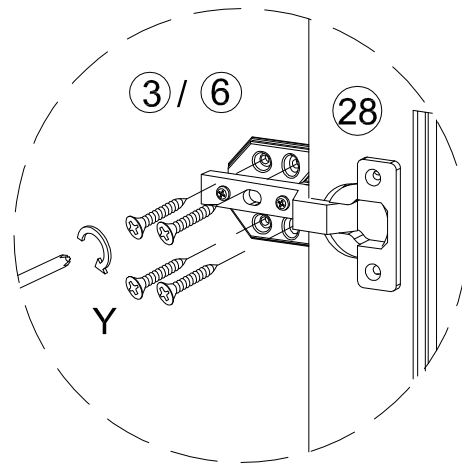
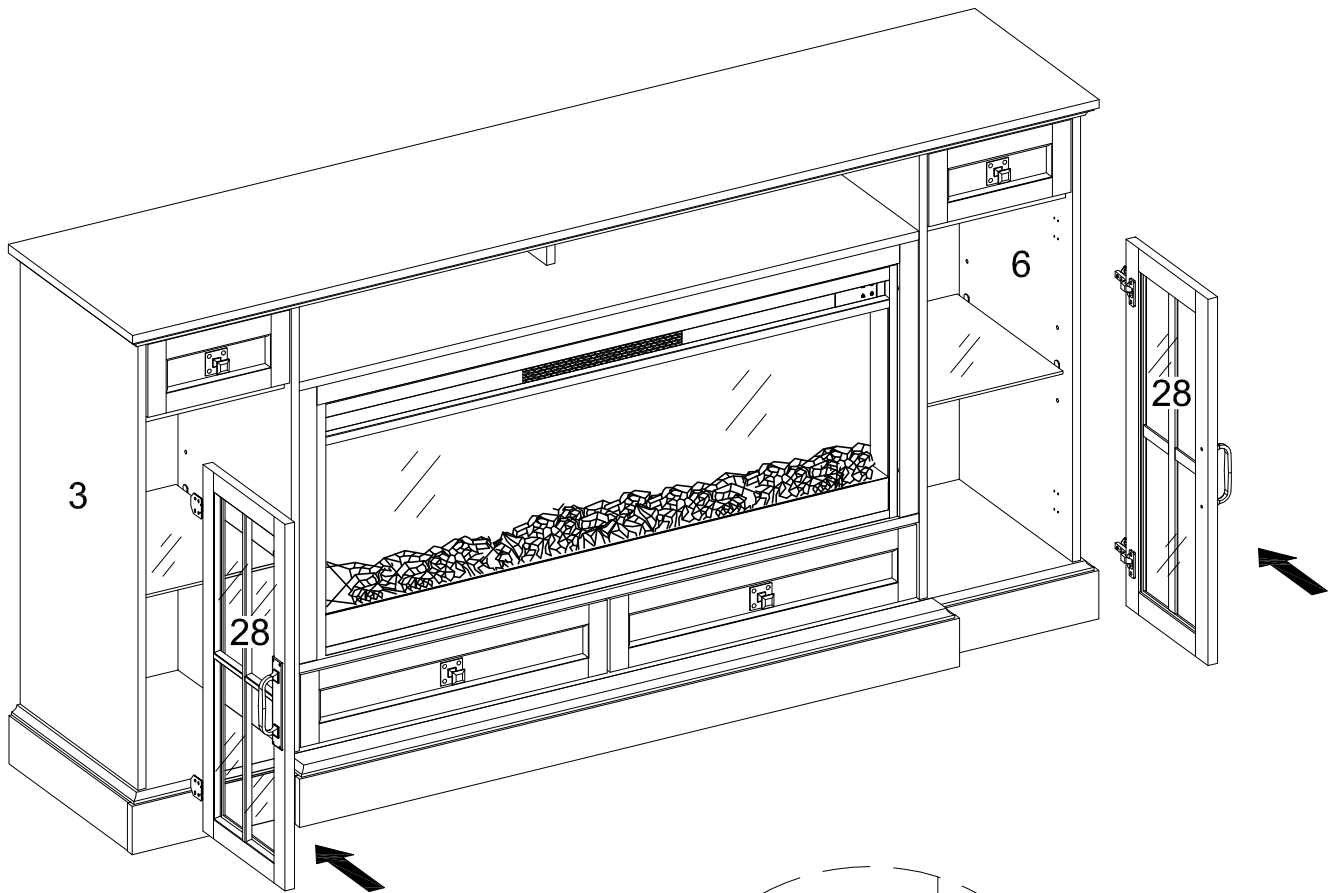
Step 41



Step 42 x2



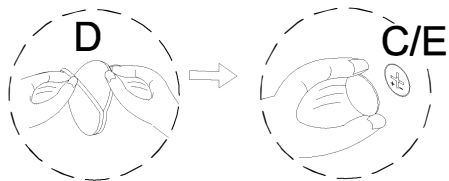
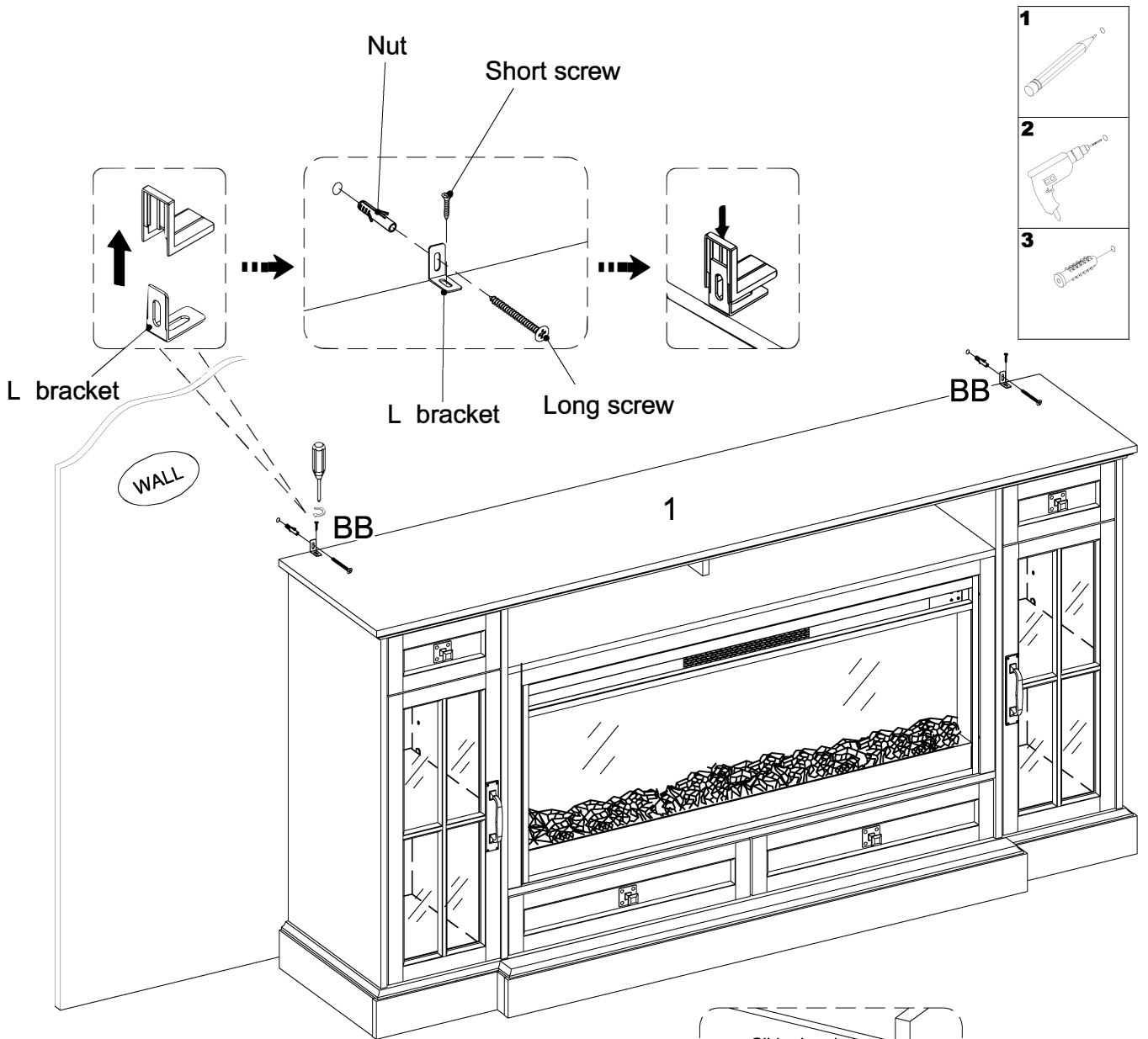
Step 43



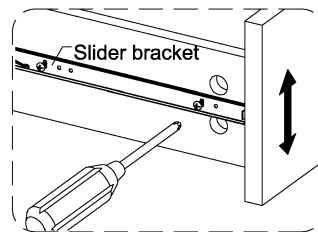
Step 44

WARNING

Serious or fatal injuries can occur from furniture tipping over. To prevent the furniture from tipping over we recommend that it is permanently fixed to the wall. Wall anchor and hardware are included with this product. Please make sure hardware is suitable for your walls before installing, as different wall materials may require different types of anchors.



Stick stickers(D) on cam locks(C,E)



Note :
 If the drawer does not go in smoothly.
 Press or lift the plastic release lever.
 Pull out the slider bracket from the slider arm.
 Loosen the screws (W) on slider brackets,
 You can adjust up or down by a few mm.
 Then tighten back up.
 Finally re-assembled the drawer until they were going
 in smoothly well.

Final Assembly