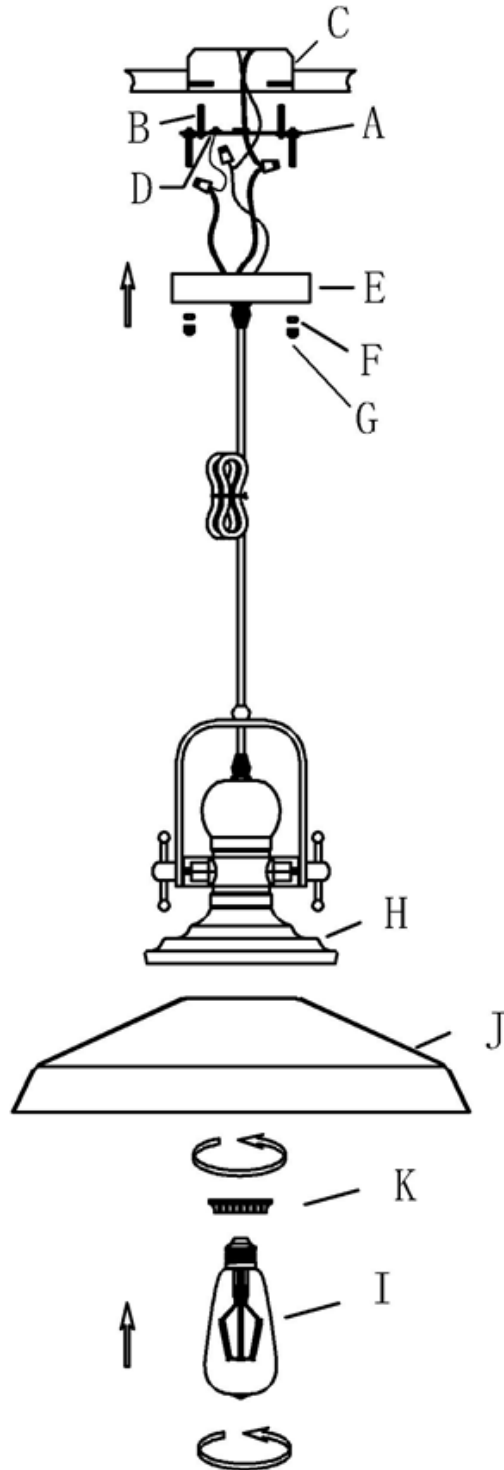
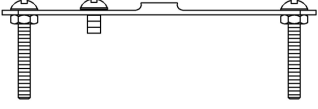


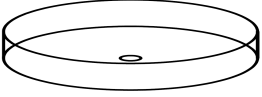
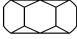
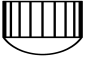
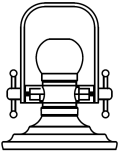
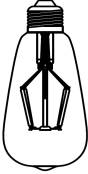




# Pendant Light Assembly Instructions



# Pendant Light Parts List

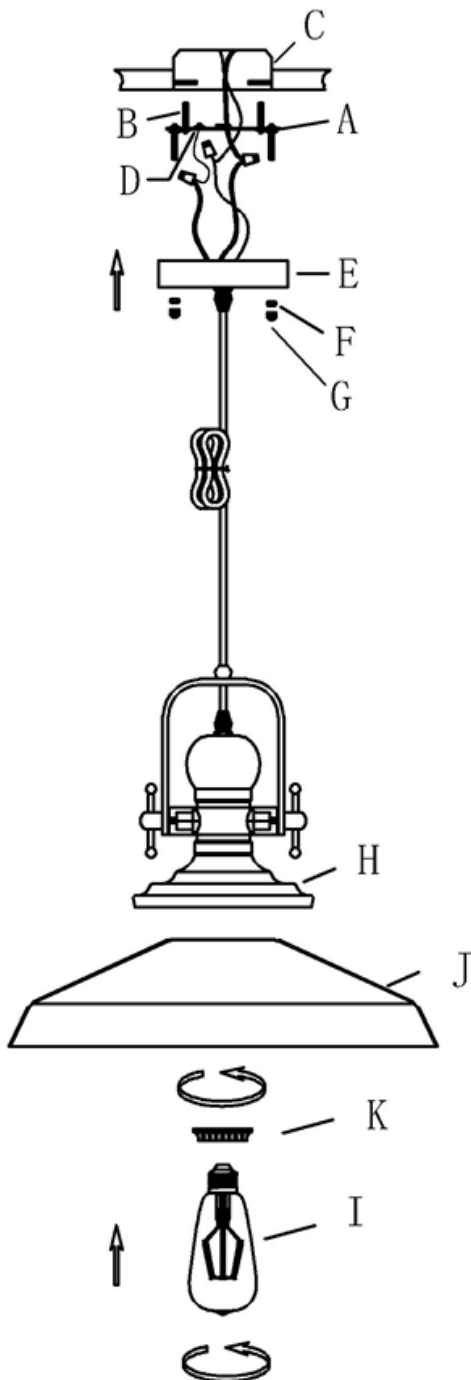
Please check packaging for all parts and hardware before discarding. Unpack and lay parts on a clean, padded surface like carpet or a blanket. Check that you have all parts indicated. Call customer service if any hardware is missing. Before beginning assembly, carefully study the diagrams below and sort your hardware according to the pictures. Using the incorrect hardware will cause damage.

<p>A. Quantity of 1</p>  <p>Mounting strap</p>	<p>B. Quantity of 2</p>  <p>Screw: H25mm</p>	<p>D. Quantity of 1</p>  <p>Grounding screw: H10mm <b>Attached to mounting strap.</b></p>
<p>E. Quantity of 1</p>  <p>Canopy</p>	<p>F. Quantity of 2</p>  <p>Nut: 5/32*T3.5mm</p>	<p>G. Quantity of 2</p>  <p>Finial</p>
<p>H. Quantity of 1</p>  <p>Socket</p>	<p>I. Quantity of 1</p>  <p>Bulb</p>	<p>J. Quantity of 1</p>  <p>Shade</p>
<p>K. Quantity of 1</p>  <p>Ring <b>Attached to Socket</b></p>		

# Pendant Light

## Assembly Instructions

**Figure 1**



**NOTE: Installation by a certified electrician is recommended.**

### **SAFETY WARNINGS:**

**IMPORTANT! ALWAYS ENSURE ELECTRICITY IS OFF BEFORE BEGINNING INSTALLATION**

- Find your main fuse or breaker box in your home. Place main power switch in the "off" position and unscrew the fuse(s), or turn all circuit breaker switch(es) that control power to the room in which you are working to "off."
- Turn any wall switch(es) to "off" or the off position. If any pull chains or switches are on the fixture, place in "off" mode.
- Do not damage any wire insulation during installation.
- Ensure no rough or sharp edges are in contact with any wires.

### **Mounting Instructions:**

**1. Confirm power is off.**

**2. Thread the 2 screws (B) into the mounting strap (A).**

**3. Attach the mounting strap (A) to an electrical box (C) with screws (B).**

### **Make the wire connections:**

**1. Confirm power is off.**

**2. Connect the electrical box black wire to the black fixture wire and the electrical box white wire to the white fixture wire. Attach green/yellow grounding wire to the mounting strap and grounding screw (D).**

### **Attach the lamp:**

**1. Align the holes in the canopy (E) with the 2 screws of the mounting strap (A).**

**2. Secure the canopy (E) to the mounting strap (A) with finials (G).**

**3. Secure the shade (J) to the holder (H) with the ring (K).**

**4. Untie cord and gently lower lamp to final height.**

**5. Install light bulb (I).**

# Parts Replacement Form

## Customer Information

Name \_\_\_\_\_

Address \_\_\_\_\_

City/State/Zip Code \_\_\_\_\_

Phone Number \_\_\_\_\_

Please indicate where you purchased this item: Store/Website/Catalog  
\_\_\_\_\_

Please indicate color/size/style number:  
\_\_\_\_\_

Style No	Parts Letter	Parts Description	Quantity Needed
----------	--------------	-------------------	-----------------

_____	_____	_____	_____
-------	-------	-------	-------

_____	_____	_____	_____
-------	-------	-------	-------

_____	_____	_____	_____
-------	-------	-------	-------

_____	_____	_____	_____
-------	-------	-------	-------







