

NATURAL OAK STRIPE 4-DRAWER DRESSER

User Manual

INTRODUCTION

Thank you for choosing the 4-Drawer Dresser. Please read this user manual carefully and keep it for future reference. If you need any assistance, please contact us by email with your order number and details.

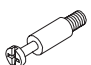



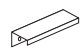








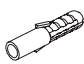

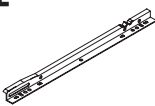
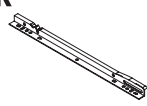
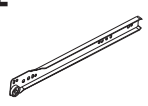
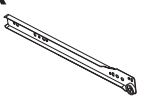
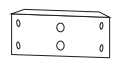

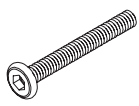

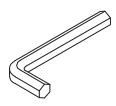
PACKAGE CONTENTS

- 1 x 4-Drawer Dresser
- 1 x Pack of Accessories
- 1 x User Manual

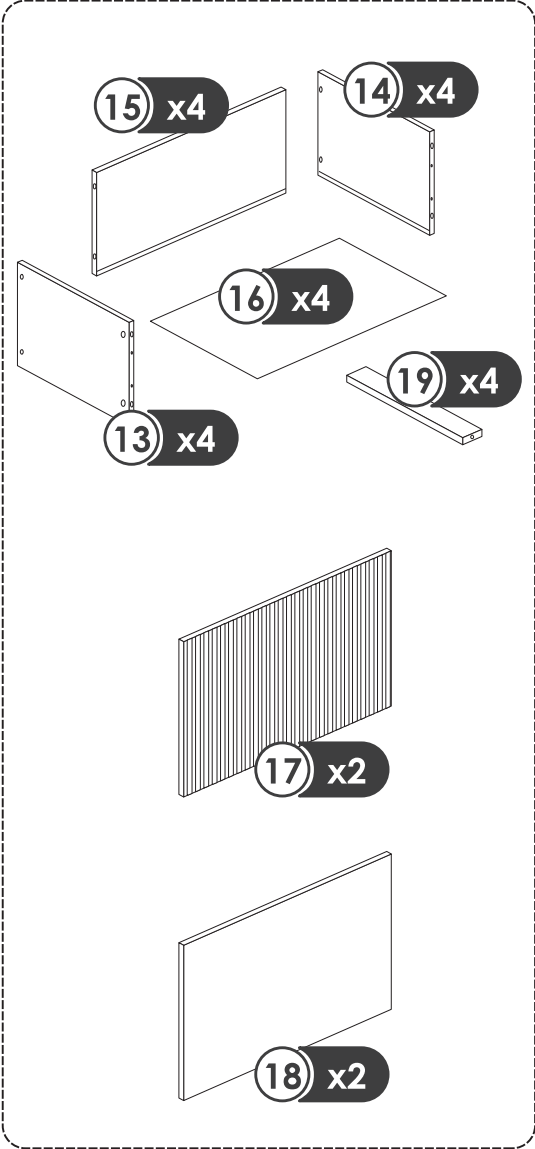
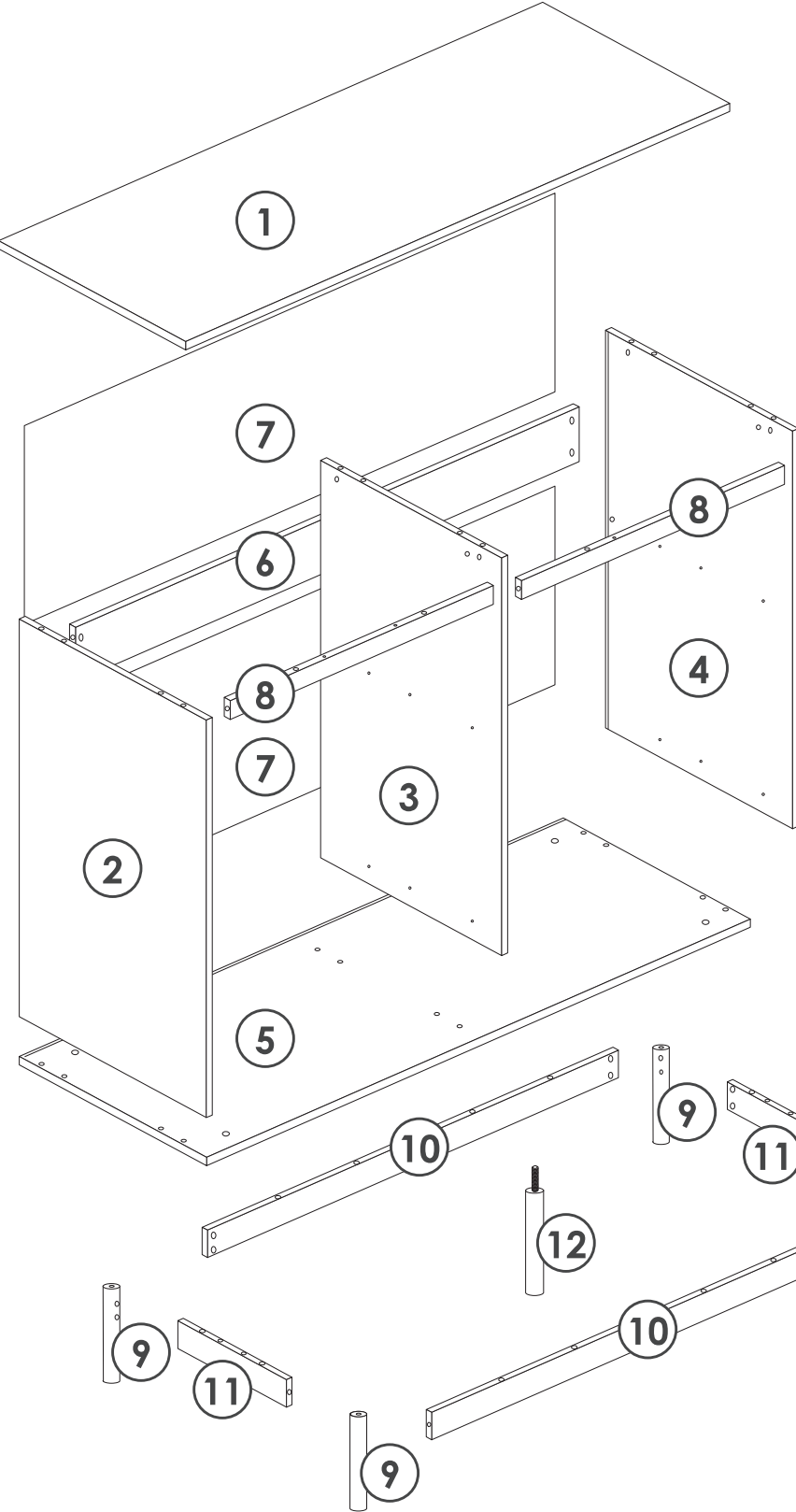
PRODUCT CARE

- Please follow the instruction to assemble this item correctly.
- Don't make the screws be too loose or too tight.
- Please put the screws into the holes' position just as shown in the arrows of the image, and then clockwise rotate 90° or 180°
- More product parts, it is recommended that two people install
- The fittings pack contains small accessories that should be kept away from small children.

PRODUCT CARE

A  x34	B  x34	C  x40	D  x20	E  x4	F  x10
G  x48	H  x4	I  x14	J  x8	K  x2	L  x4
M  x2	N  x2	O  x1	DL  x4	DR  x4	CL  x4
CR  x4	P  x4	Q  x14	R  x8	S  x8	T  x1

INTRODUCTION



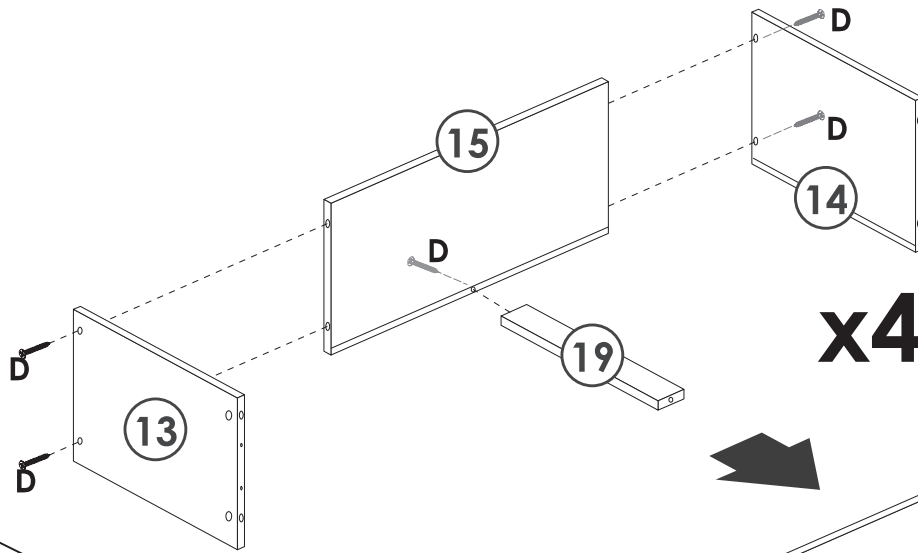
1

YOU WILL NEED

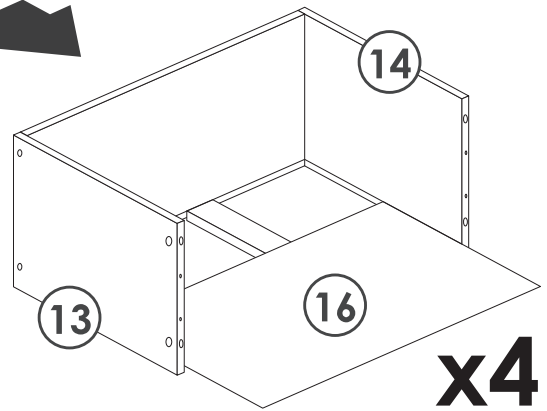
A x28

B x28

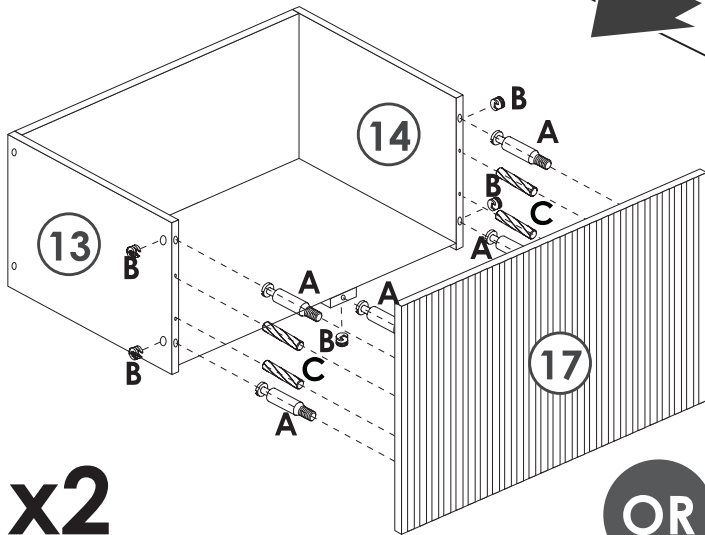
C x28



x4

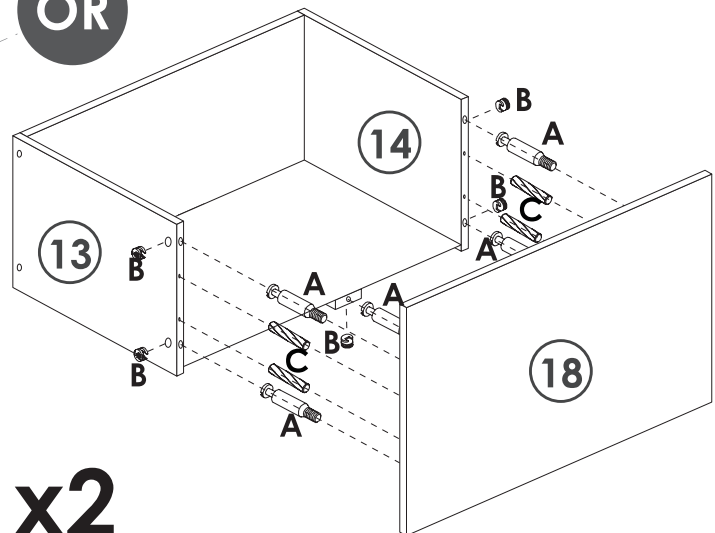


x4



x2

OR



x2

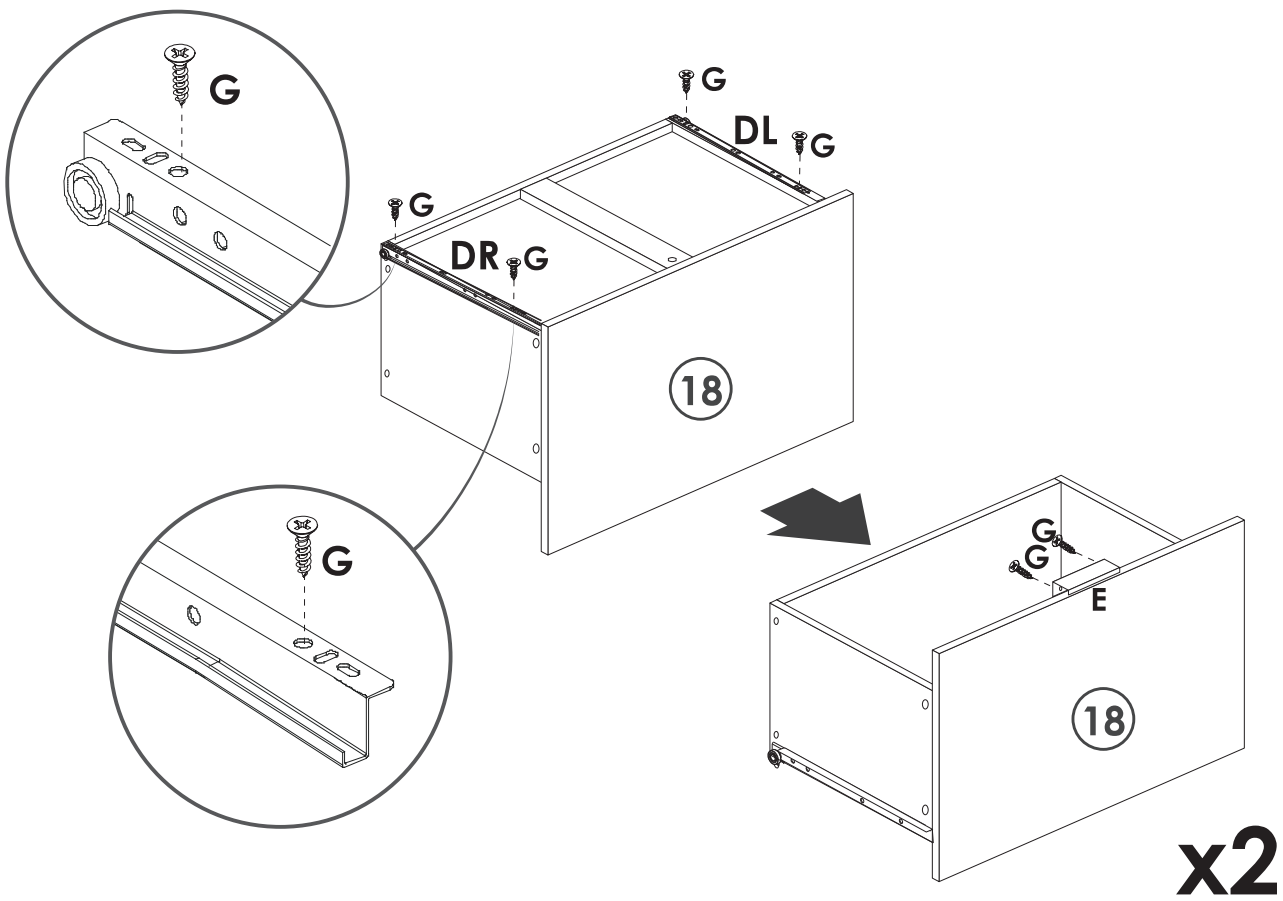
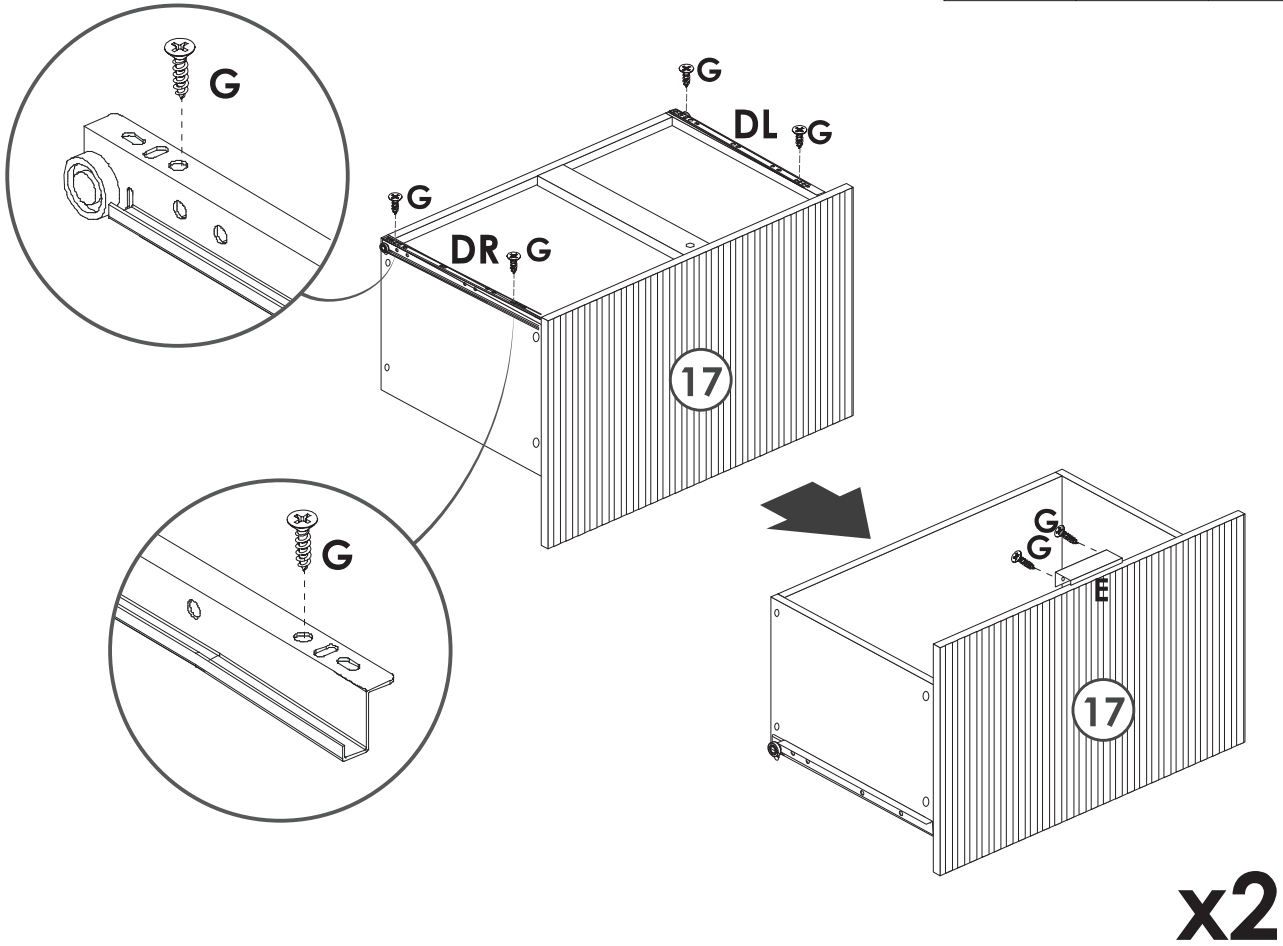
2

YOU WILL NEED

A x28

B x28

C x28



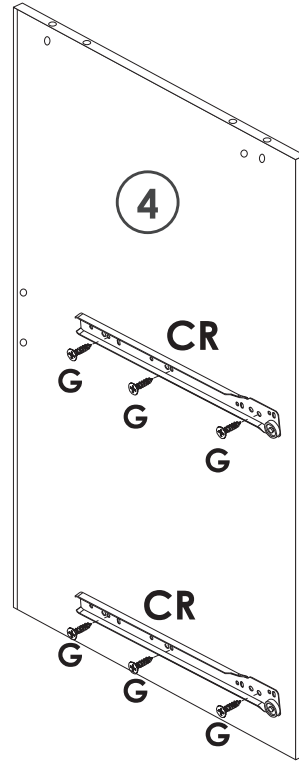
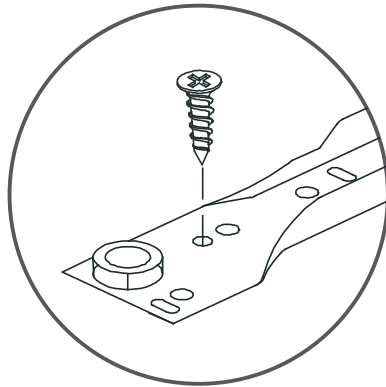
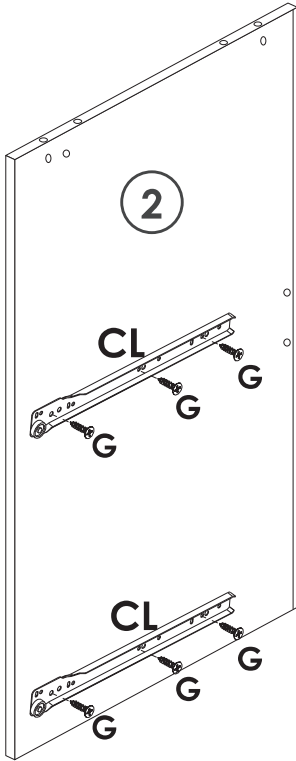
3

YOU WILL NEED

CL x2

CR x2

G x12



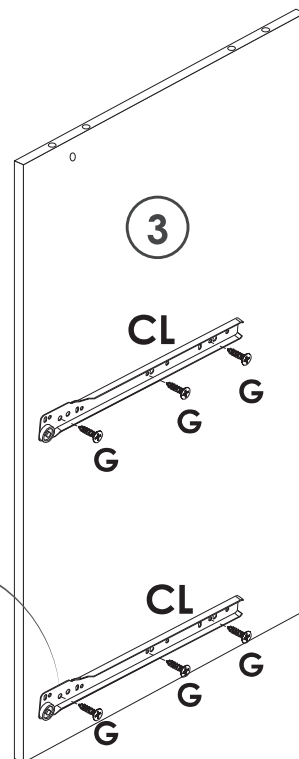
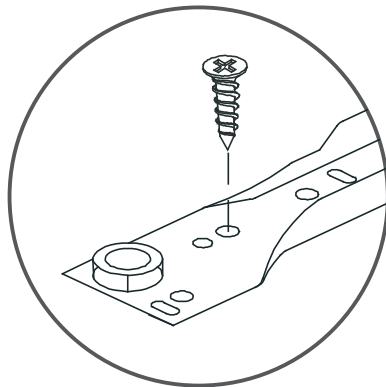
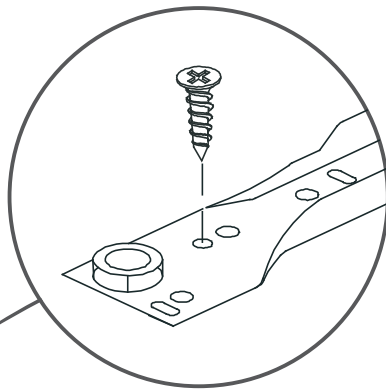
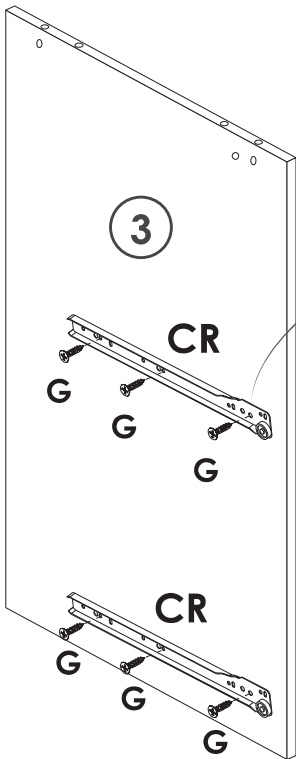
4

YOU WILL NEED

CL x2

CR x2

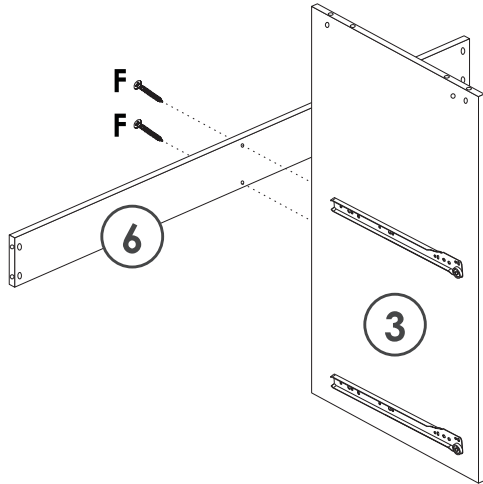
G x12



5

YOU WILL NEED

F x2

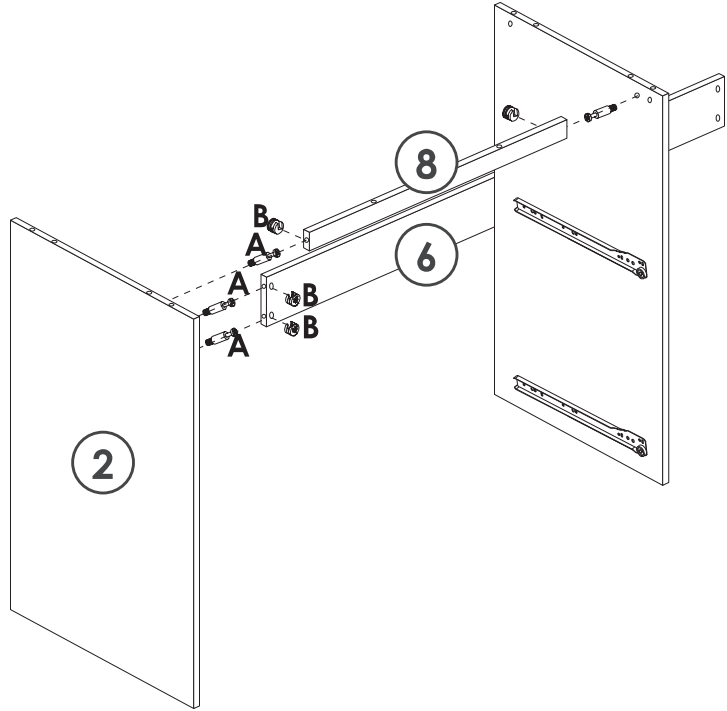


6

YOU WILL NEED

A x3

B x3

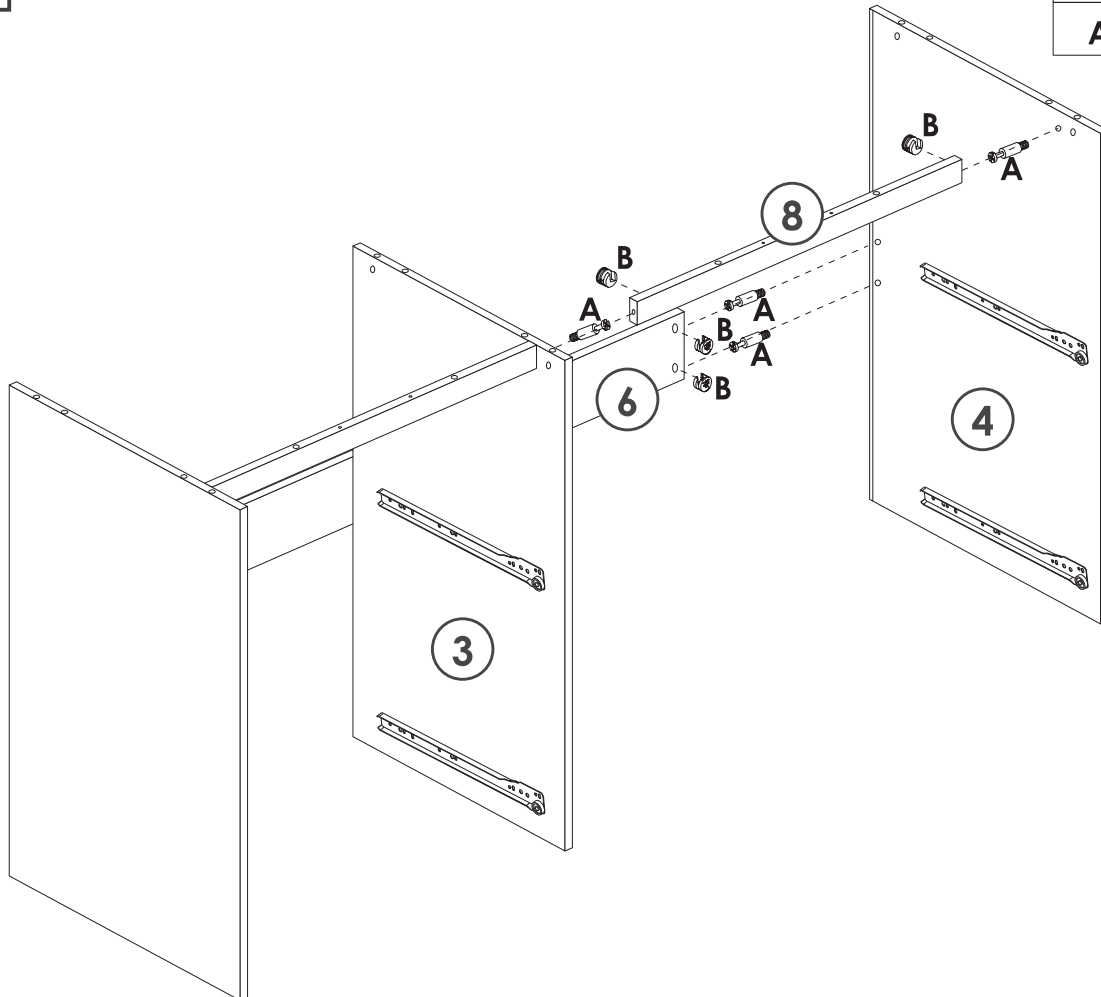


7

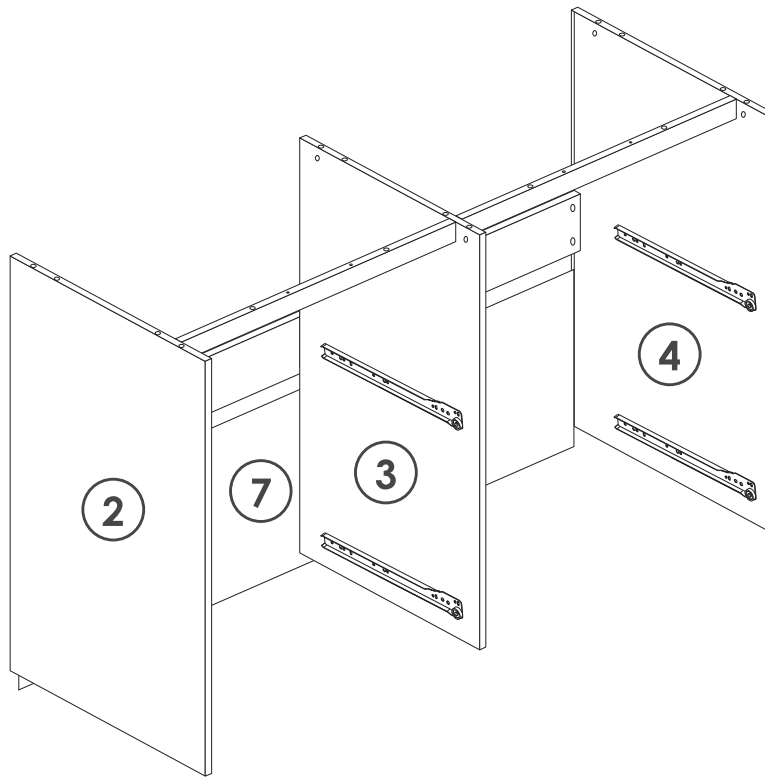
YOU WILL NEED

A x5

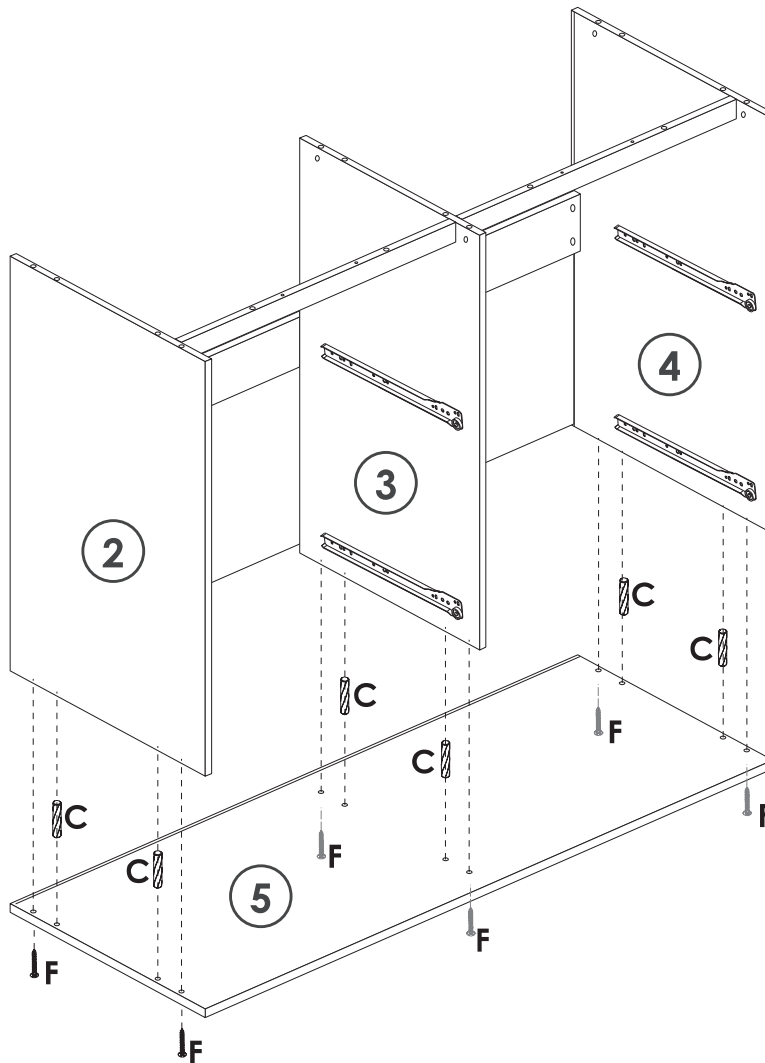
B x4



8



9

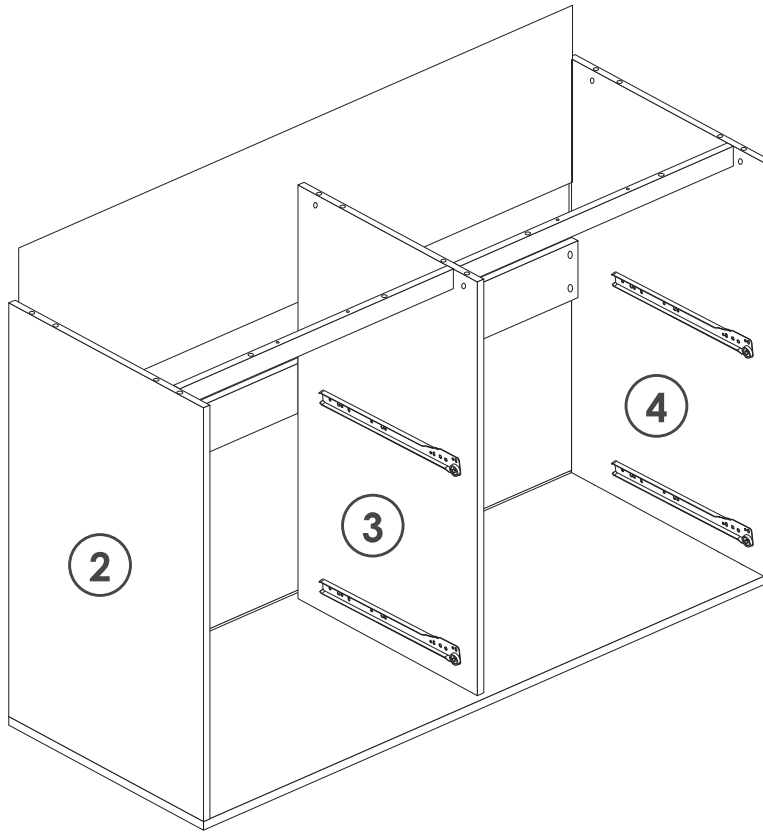


YOU WILL NEED

C x6

F x6

10



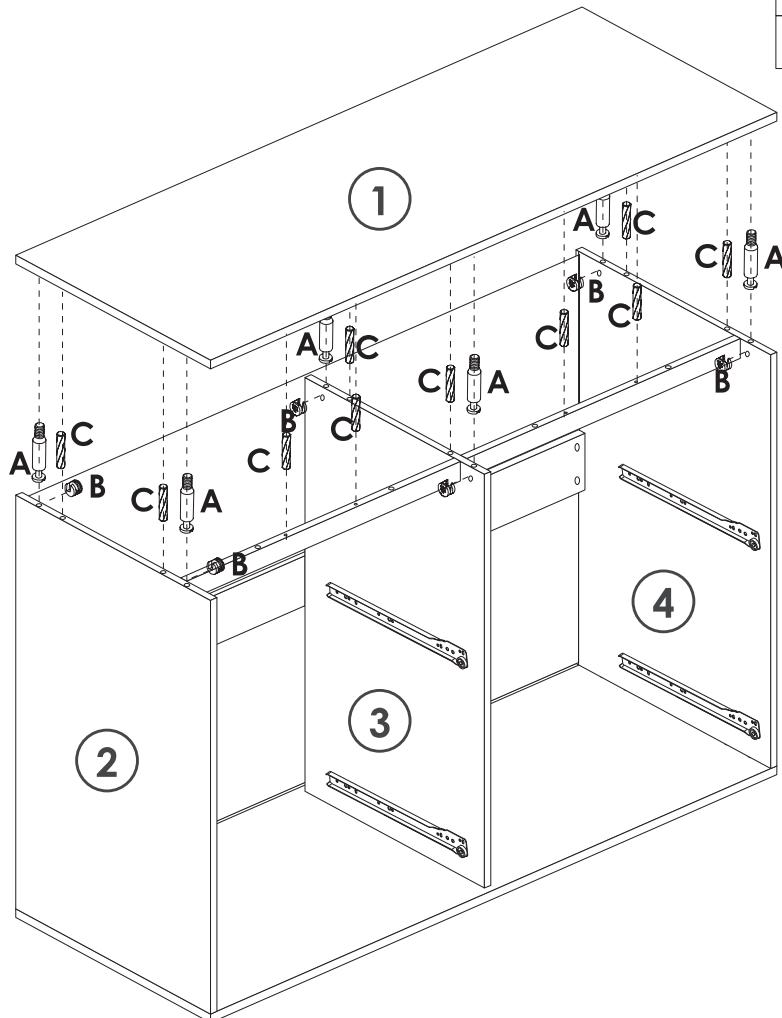
11

YOU WILL NEED

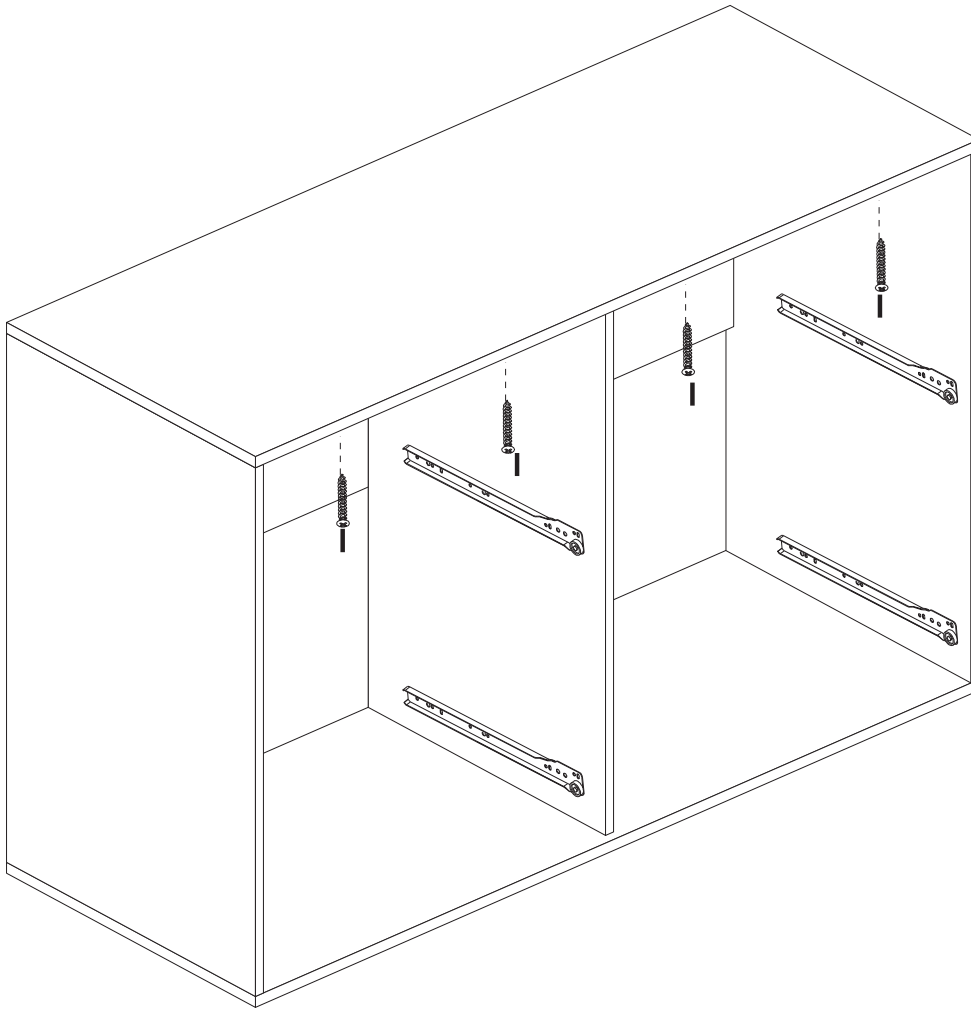
A x6

B x6

C x9



12

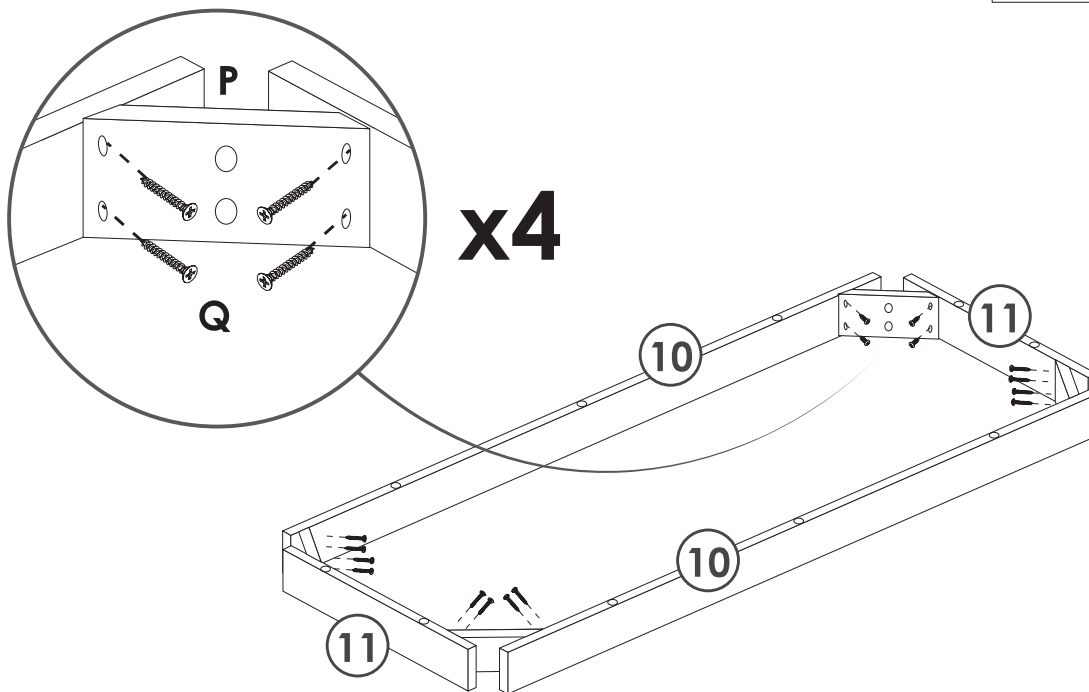


13

YOU WILL NEED

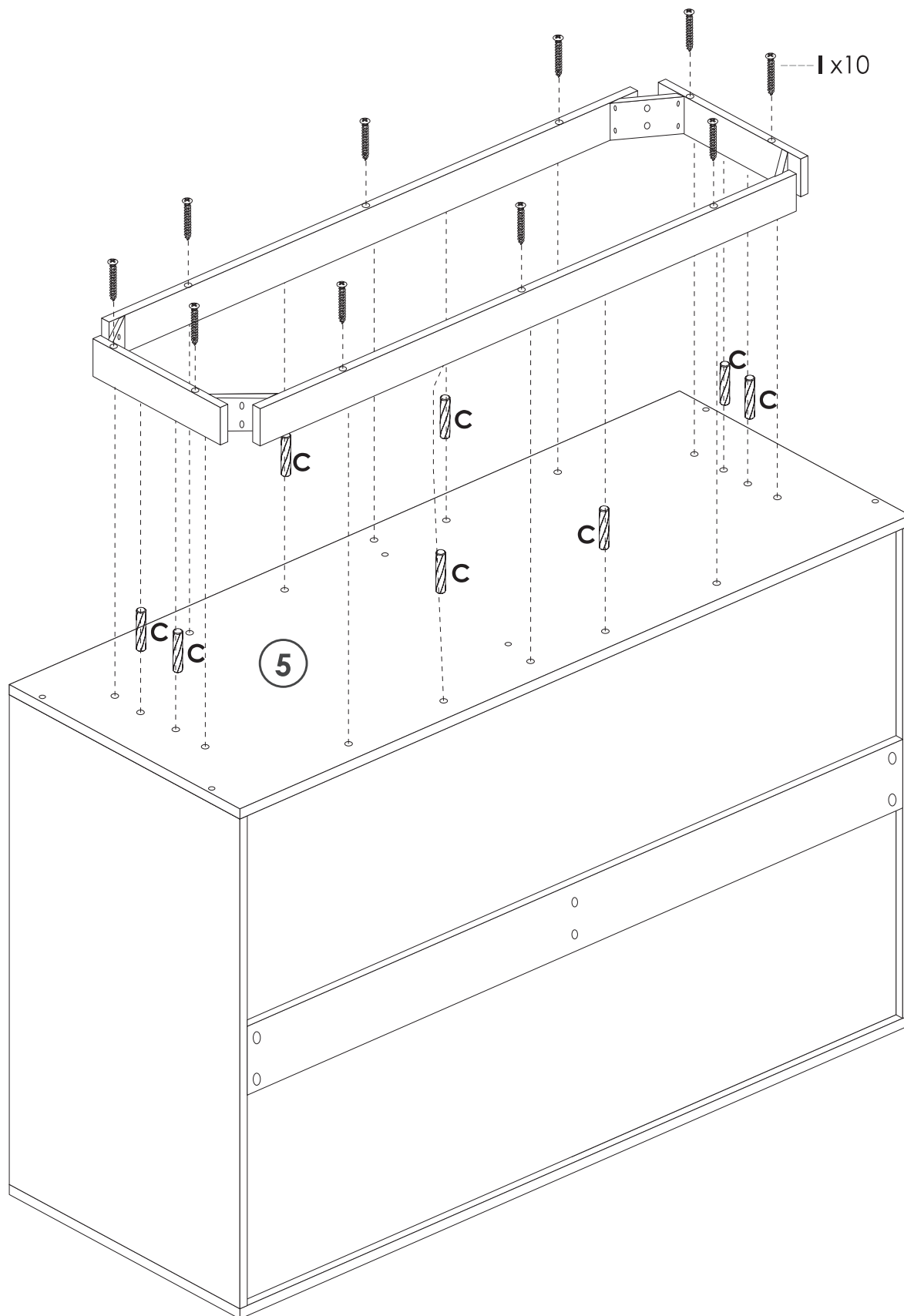
P x4

Q x16

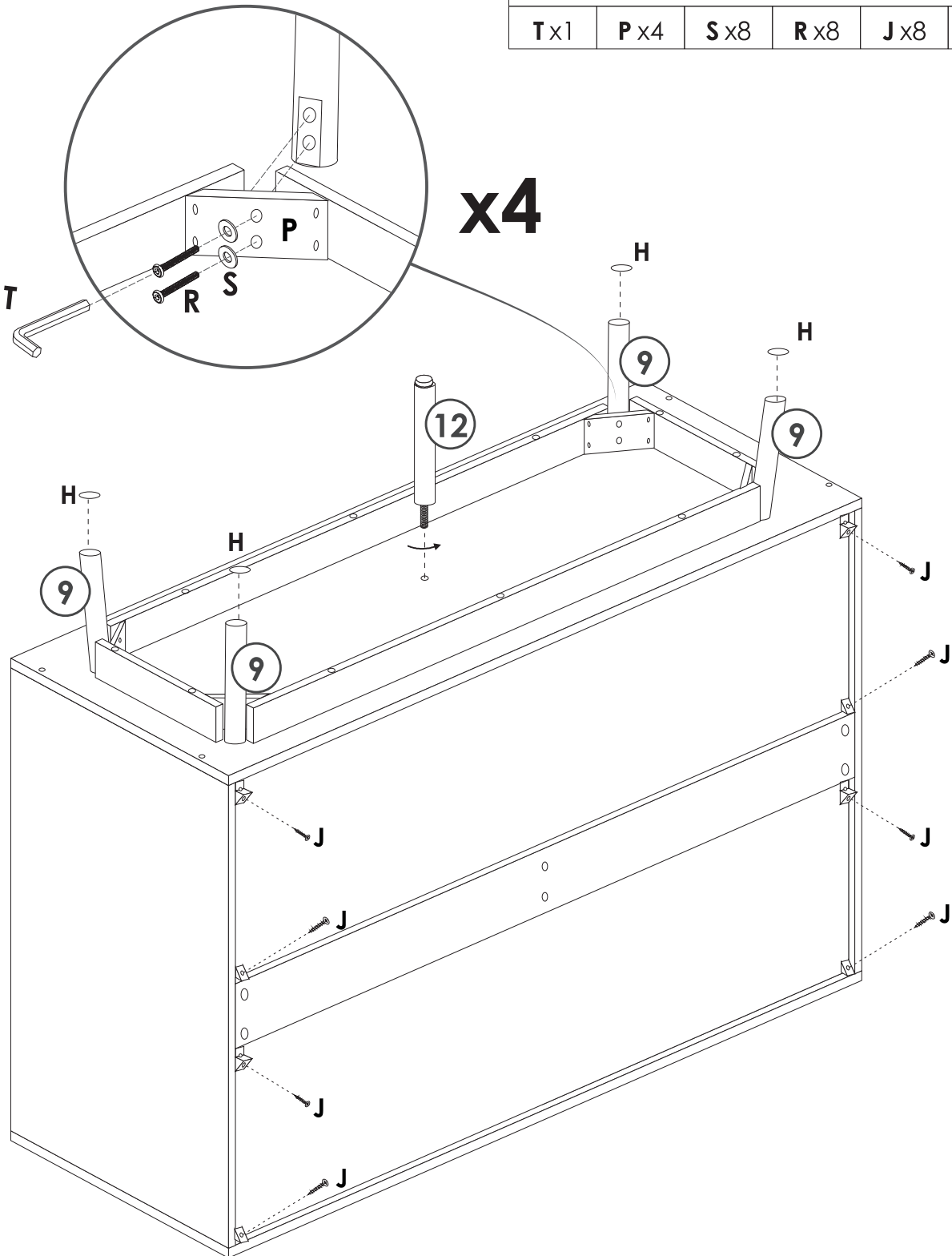
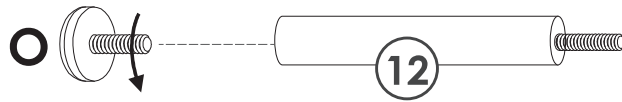


C x8

I x10



O x1



YOU WILL NEED

T x1	P x4	S x8	R x8	J x8	H x4
------	------	------	------	------	------

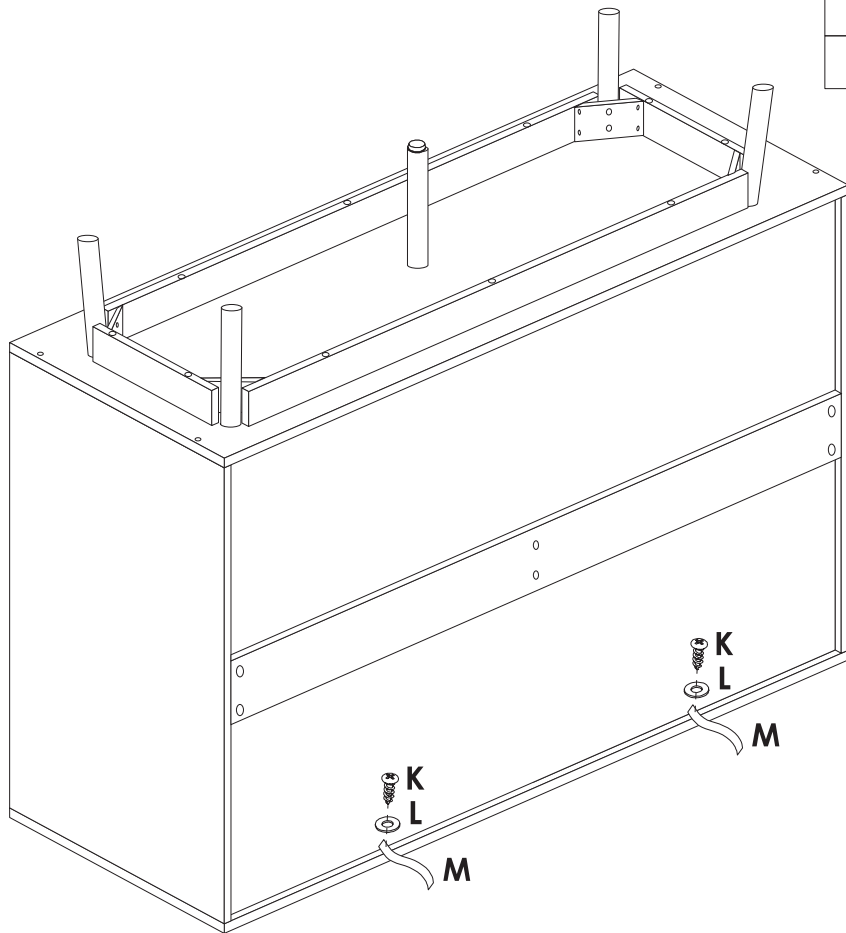
16

YOU WILL NEED

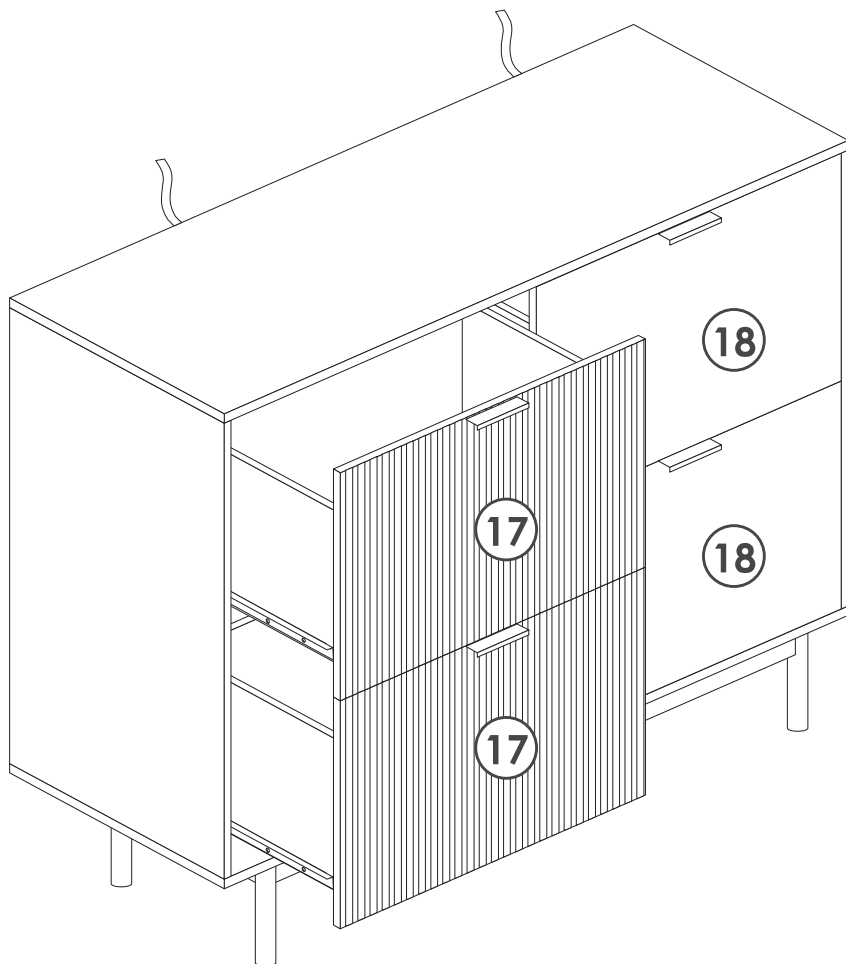
K x2

L x2

M x2



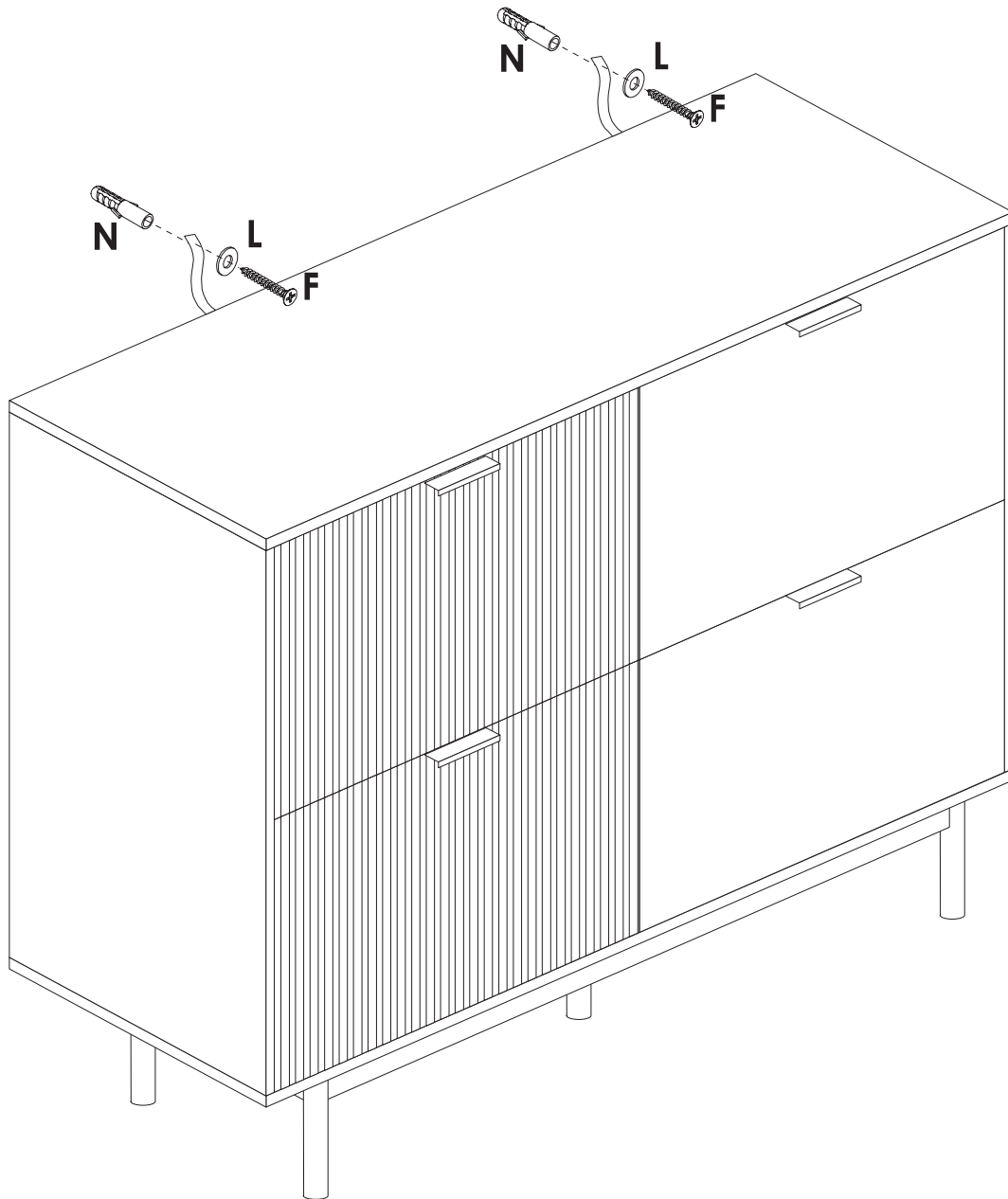
17



N x2

L x2

F x2



GUARANTEE

4-Drawer Dresser offers a **90-days** warranty that begins on the date of the original purchase and applies to problems caused by the manufacturer. For questions, assistance, or support, please contact the Customer Service by e-mail with your order number and details. We will