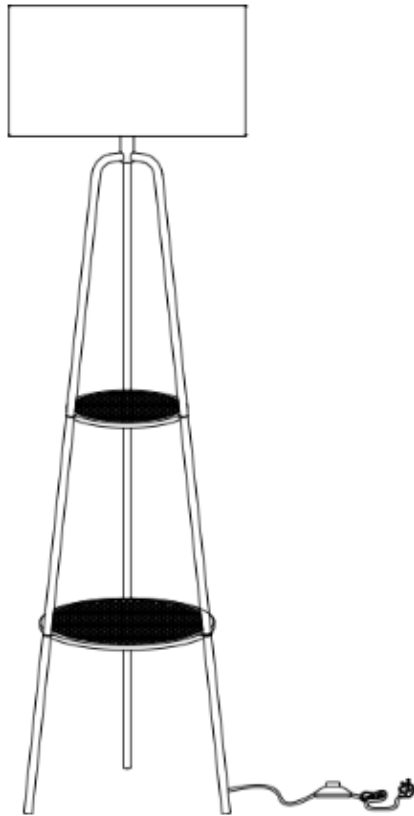


Floor Lamp

Assembly Guide



IMPORTANT: please read these instructions fully before starting assembly



**SAFETY AND
CARE ADVICE**



NO POWER TOOLS

SAFETY AND CARE ADVICE

- Before assembly, check that you have all the components and tools listed.
- This lamp must be protected by a 3 amp fuse in the main plug. It is designed for use with a 220V–240V, 50Hz power supply only.
- Indoor use only. Do not use this lamp in bathrooms or near water or other liquids.
- Do not plug in or use the product until it has been fully assembled and the light bulb installed. During assembly or maintenance, ensure the lamp is disconnected from the mains power.
- Place the lamp on a level and stable surface during use. Do not cover the lamp with any material or hang objects from any part of it, as this could pose a safety hazard.
- If the external flexible cord or switch is damaged, do not use the lamp.
- Do not dispose of electrical products with normal household waste. Check with your local authority for details of your nearest recycling centre that accepts electrical items.
- When replacing the light bulb, switch off and unplug the lamp at the mains and allow it to cool completely before handling.
- Caution: Light bulbs become hot during use.
- Unless otherwise stated, this product is designed for domestic use and is not certified for commercial or contract settings.

IMPORTANT INFORMATION



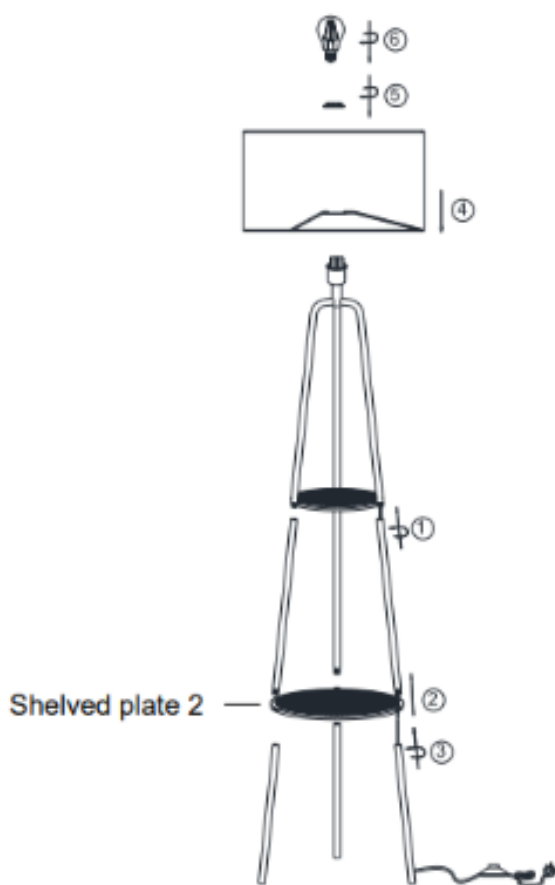
30 Minute
Build



Two Person
Build

SAFETY AND CARE ADVICE (CONTINUED)

- Use the correct wattage and type of light bulb. Using a bulb with higher wattage than recommended can create a safety hazard and may damage the lamp.
- Clean the lamp with a dry, clean cloth only. Do not use liquids or cleaning products. If any liquid is spilled on the lamp, stop using it immediately and contact a qualified electrician.
- Incorrect assembly or use will void the warranty.
- If you are unsure about the installation or use of the lamp, consult a qualified electrician.
- External Cable: Type Z EN – The external flexible cable or cord of this luminaire is not replaceable. If the cord is damaged, the luminaire must be disposed of.



STEP 1

Attach the First Set of Tubes

Take three of the open-ended tubes and screw them onto the threaded ends protruding from the top shelf. Ensure the threads are properly aligned before tightening.

STEP 2

Install the Upper Shelf

Slide the upper shelf through the ends of the three tubes attached in the previous step, positioning it securely.

STEP 3

Attach the Remaining Tubes

Repeat the process with the three remaining open-ended tubes, fixing them to the protruding ends of the upper shelf. Again, check thread alignment before tightening.

STEP 4

Fit the Lampshade

Place the lampshade over the lamp holder and secure it using the supplied shade ring.

STEP 5

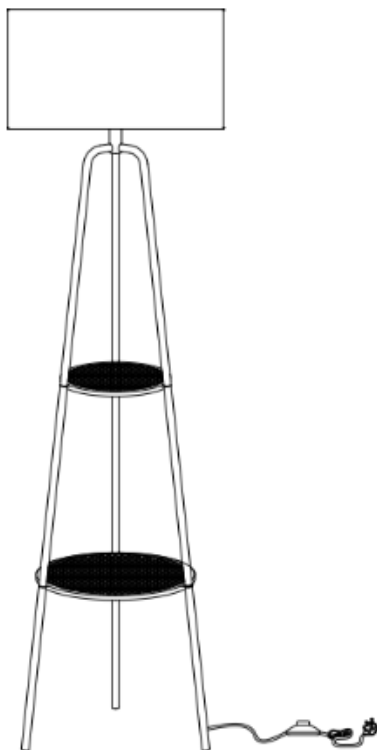
Insert the Bulb

Screw the bulb into the lamp holder. Refer to the fitting for the correct type and wattage, and ensure the wattage is not exceeded.

STEP 6

Connect Power and Test

Plug the lamp into a suitable mains socket and switch it on using the foot switch.



Your lamp is now ready to use!



our 1 year GUARANTEE

Our products come with a 1 year guarantee, giving you extra peace of mind when shopping with us

What the guarantee covers



PRE-INSERTED FIXINGS



FAULTY JOINTS



EXTERNAL FIXING FAULTS



STRUCTURAL INTEGRITY
