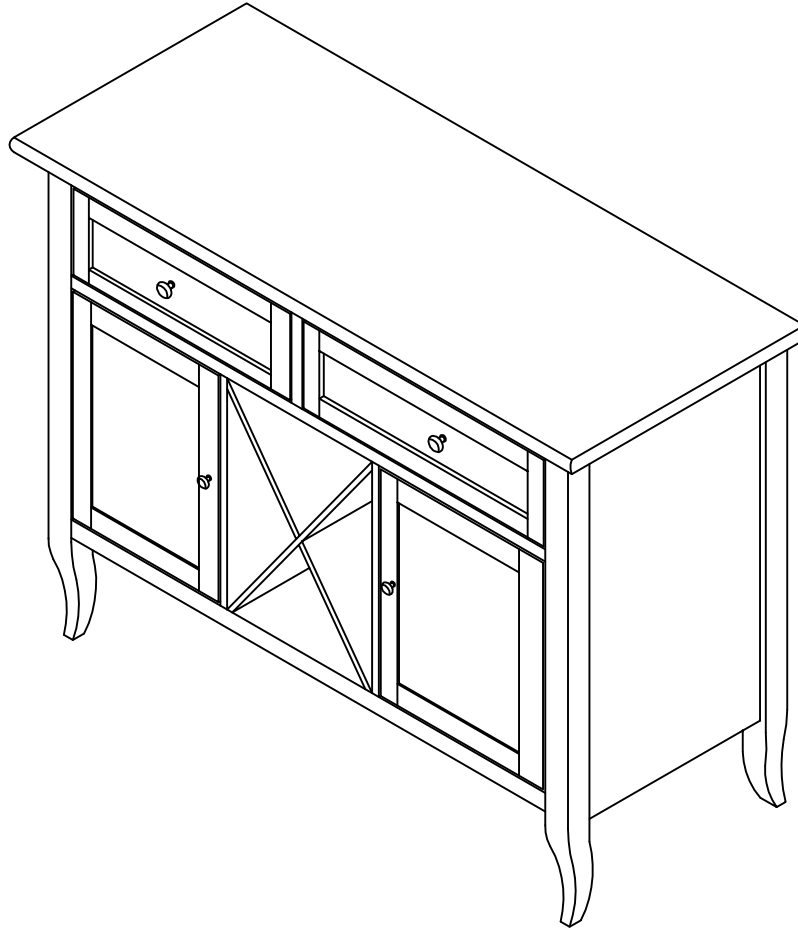


ASSEMBLY INSTRUCTIONS

Style #

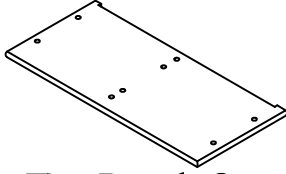
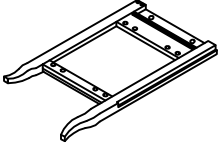
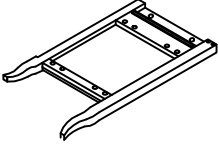
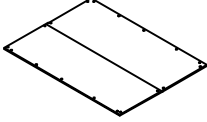
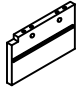
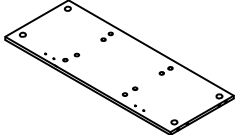
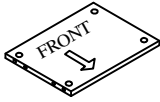
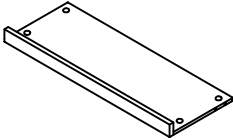




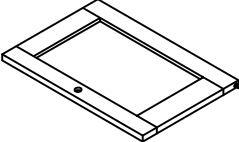
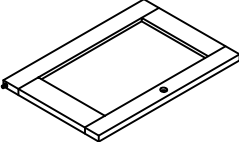
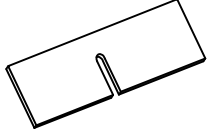

Wine Rack



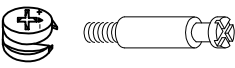


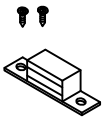


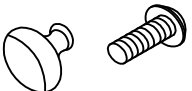

NOTE TO CUSTOMERS:

- For ease and speed of assembly we recommend that before you commence each step of the assembly that you identify all the parts required to complete that step.
- We recommend that where possible you allow sufficient space to assemble the item as close as possible to the place where it will be once assembled.
- For the protection of your furniture we recommend that the product is placed on protected surfaces during assembly to prevent any damage.
- During assembly do not to over tighten, as this may damage the product.
- Please ensure you retain all the product packaging until the item completely assembled.
- Please periodically check all fittings and re-tighten as necessary.
- Please never allow any liquids to remain on your furniture as absorption can cause the wood to warp or finish to de-laminate.
- It is recommended that this item should be assembled by two adults.

Part list :

 <p>1. Top Panel Qty: 1</p>	 <p>2. Left Side Frame Qty: 1</p>	 <p>3. Right Side Frame Qty: 1</p>
 <p>4. Back Panel Qty: 1</p>	 <p>5. Top Divider Qty: 1</p>	 <p>6. Top Shelf Qty: 1</p>
 <p>7. Low Divider Qty: 2</p>	 <p>8. Bottom Panel Qty: 1</p>	 <p>9. Drawer Front Panel Qty: 2</p>
 <p>10. Drawer Side Panel Qty: 4</p>	 <p>11. Drawer Bottom Panel Qty: 2</p>	 <p>12. Drawer Back Panel Qty: 2</p>
 <p>13. Left Door Qty: 1</p>	 <p>14. Right Door Qty: 1</p>	 <p>15. X Panel Qty: 2</p>
 <p>16. Connect Bar 1 Qty: 1</p>		

Hardwre list :

 <p>A. Camlock Qty: 26</p>	 <p>B. Wood dowel Qty: 22</p>	 <p>C. Stopper with screw Qty: 2</p>	 <p>D. Magnet Qty: 2</p>	 <p>E. Back Panel Screw Qty: 18</p>
 <p>F. Long screws Qty: 16</p>	 <p>G. Knob & Bolt Qty: 4</p>	 <p>H. Door Pin Qty: 4</p>		

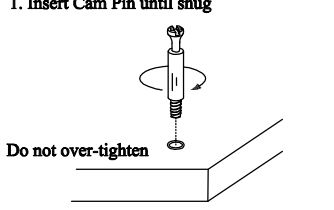
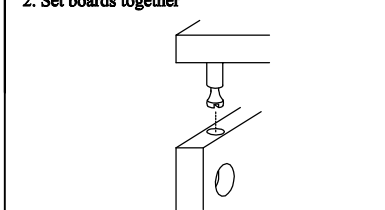
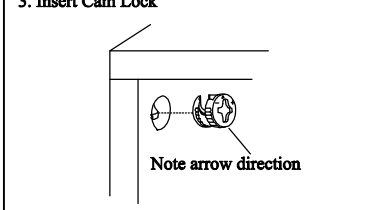
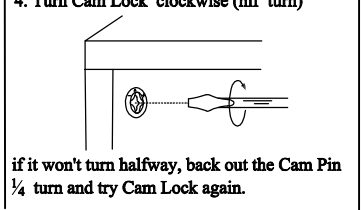
Note:

- Read these instructions carefully before assembling.
- Tools required : Phillipp screwdriver, flat screwdriver.
- Find a clean, smooth area on which to work , such as a carpet, in order to avoid scratching the wood surfaces.
- Wait to dispose of the packing material until assembly is complete and all parts and hardware are accounted for.
- Two or more people might be required for assembly.

To use Dowels:

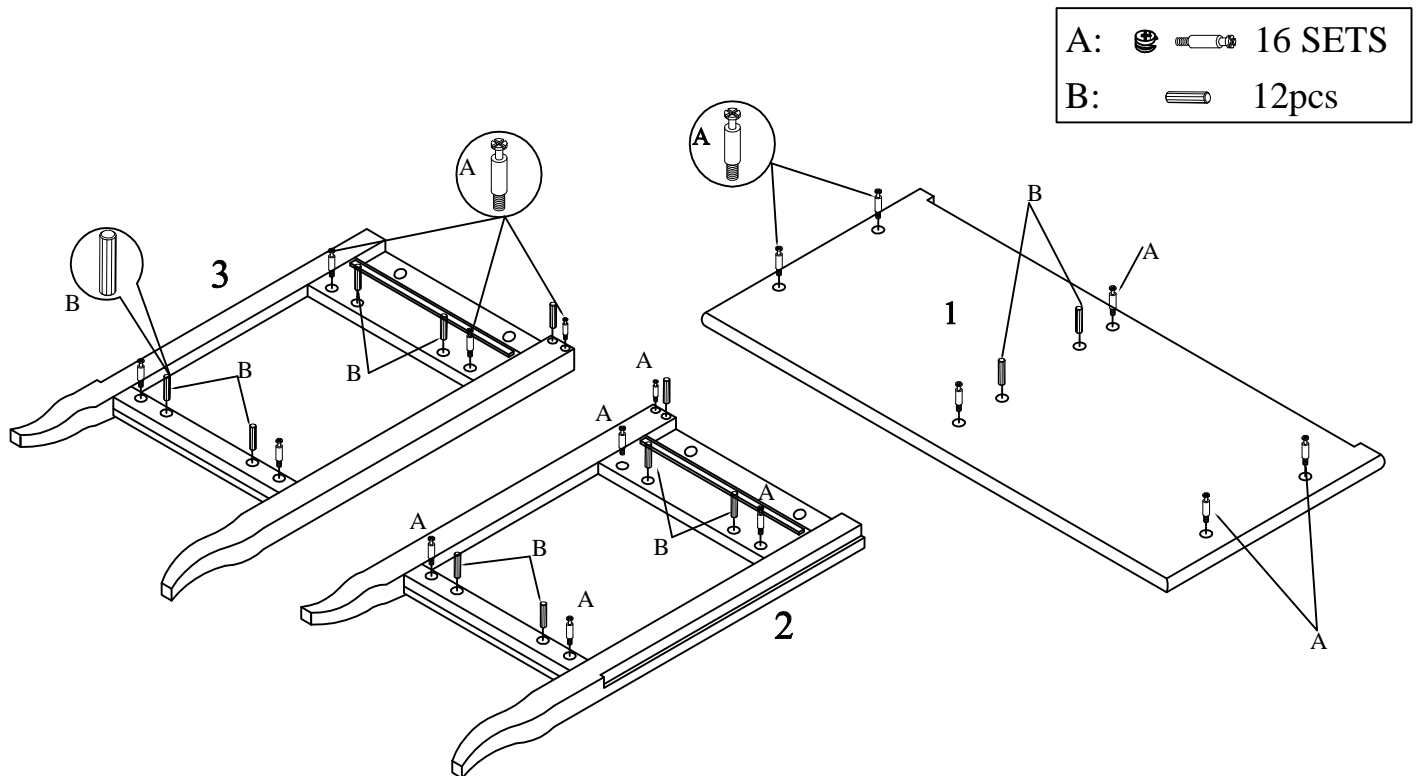
1. Add glue (about $\frac{1}{4}$ full) in the hole(s) of each board to be joined.
2. Insert the Dowel(s) and join boards.
3. Wipe excess glue with a damp paper towel.

To use Cam Locks:

<p>1. Insert Cam Pin until snug</p> 	<p>2. Set boards together</p> 	<p>3. Insert Cam Lock</p> 	<p>4. Turn Cam Lock clockwise (half turn)</p> 
--	---	--	---

Assembly instructions

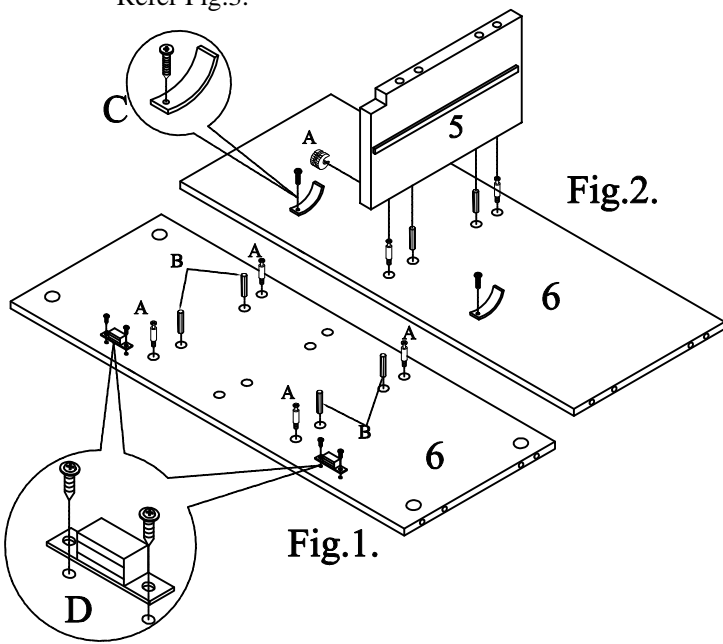
Step 1: Insert the wood dowels (B) to the side panels (2)&(3) and top panel(1). Attach the camlocks (A) to the side panels(2)&(3) and top panel (1) as below drawing shown.



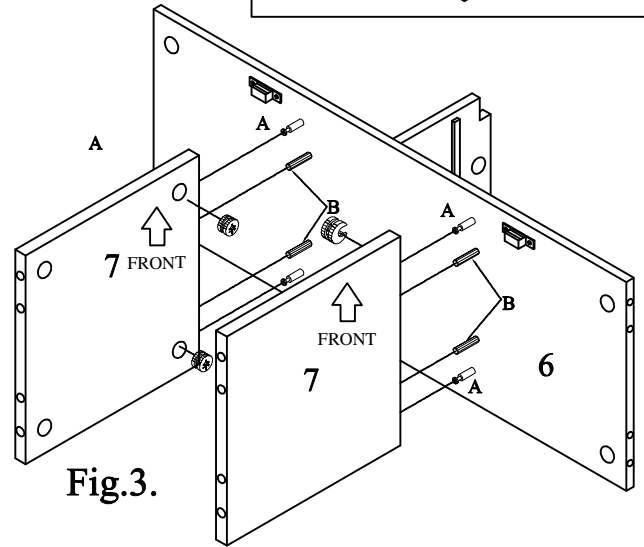
Step 2: Insert the wood dowels (B) and camlocks(A) into the top shelf (6), then attach the magnet (D) to the top shelf (6) with included screws. Refer Fig.1.

Step 3: Assemble the top divider (5) to the top shelf(6) using camlocks (A) and wood dowels (B), then attached stopper (C) to the top shelf (6) with included screws. Refer Fig.2.

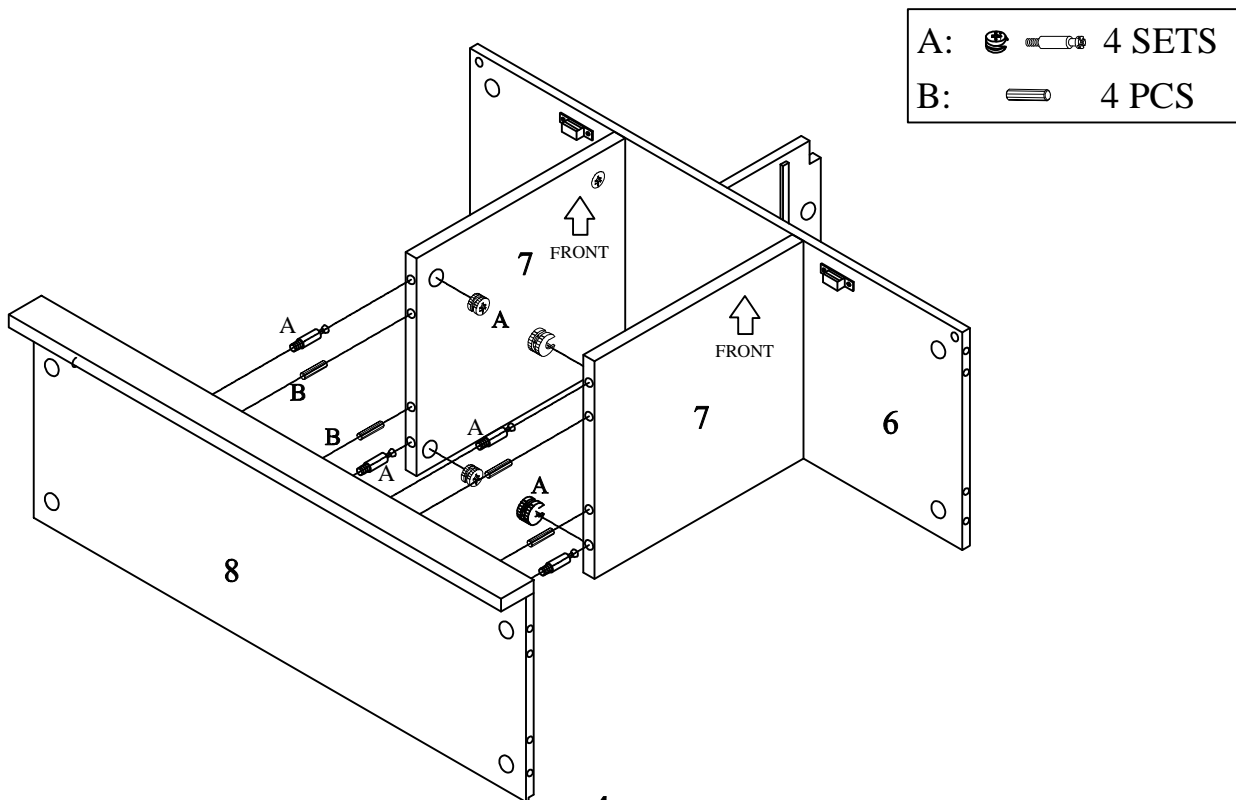
Step 4: Assemble the low dividers(7) to another side of top shelf (6) using assembled camlocks(A) and wood dowels(B), Refer Fig.3.



A:		6SETS
B:		6 PCS
C:		2 SETS
D:		2 SETS

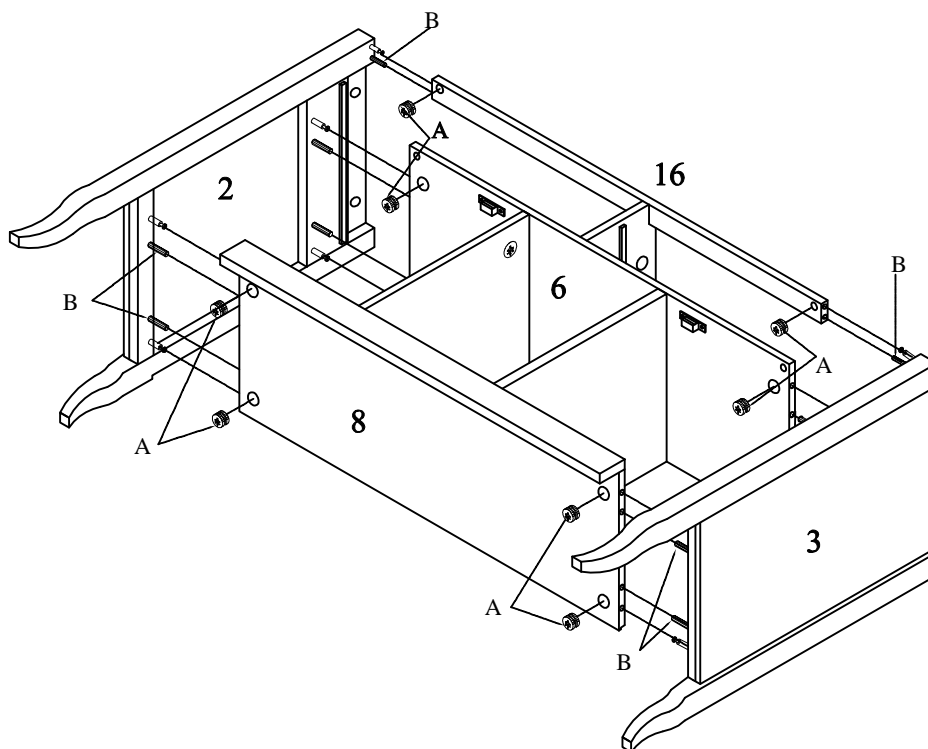


Step 5: Assemble the bottom panel (8) to the low dividers (7) using camlocks(A) and wood dowels (B).

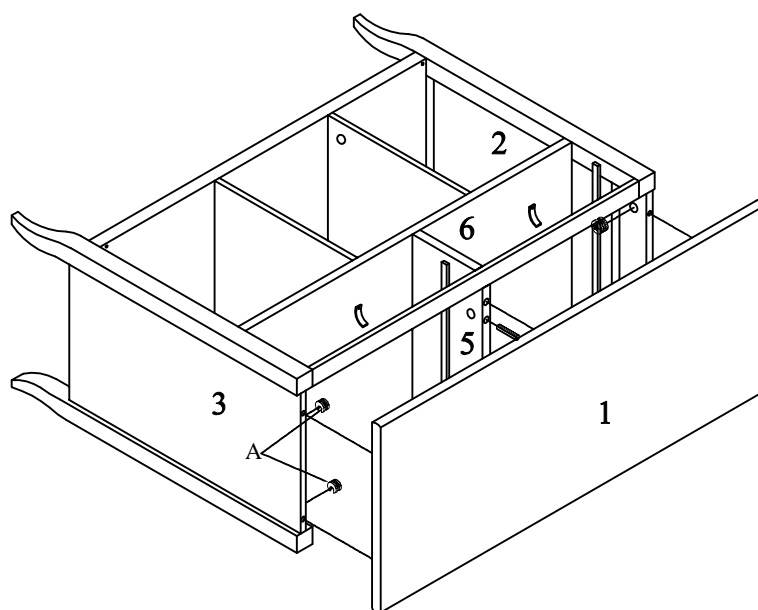


A:		4 SETS
B:		4 PCS

Step 6: Assemble the side panels (2) &(3) to the connect bar (16), top shelf(6) and bottom panel (8) using assembled camlocks(A) and wood dowels (B).

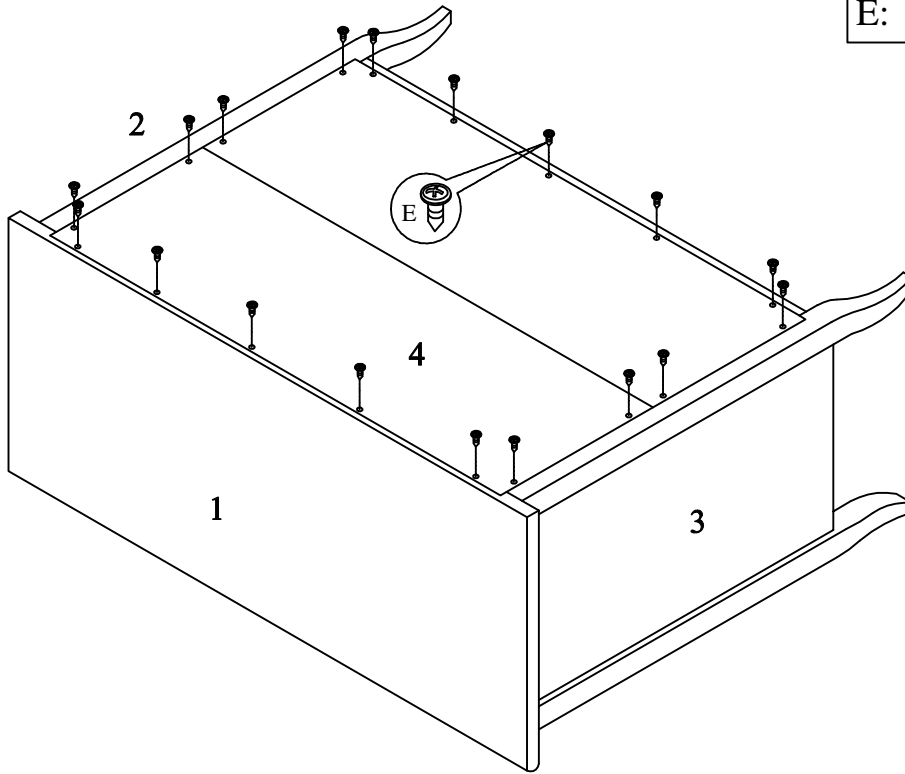


Step 7: Assemble the top panel (1) to the side panels (2)&(3) and the top divider (5) using assembled camlocks (A) and wood dowels(B).



Step 8: Attach the back panel (4) to the end of top panel(1), bottom panel(8) and side panels (2) &(3) using screws (E).

E:  18pcs





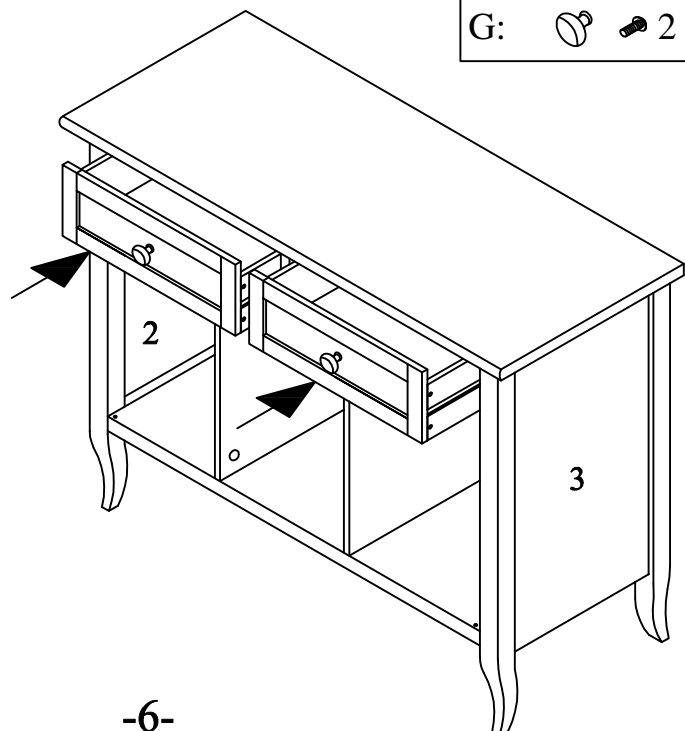
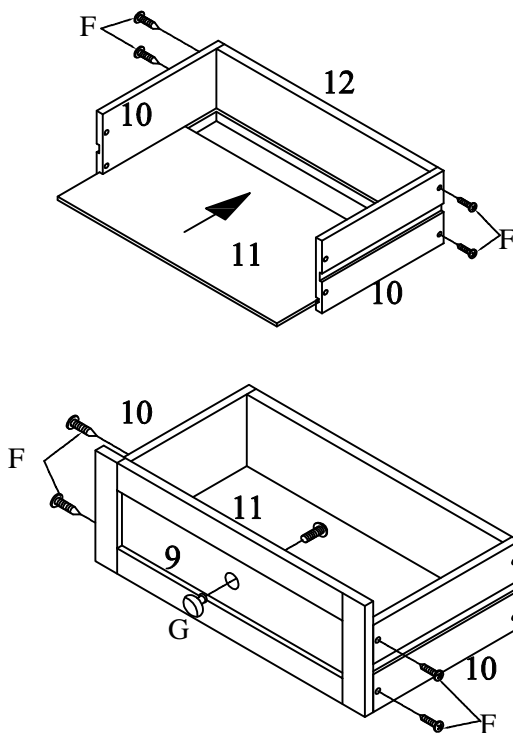
Step 9: Assemble the drawer side panels(10) to the drawer back panel(12) using screws (F).

Step 10: Insert the drawer bottom panel(11) into the grooves on drawer side panels (10) and drawer back panel(12).

Step 11: Assemble the drawer front panel (9) to the drawer side panels(10) using screws (F).

Step 12: Attach the knob (G) to the drawer front panel (11) with included bolt.




F:  16 PCS
G:  2 SETS

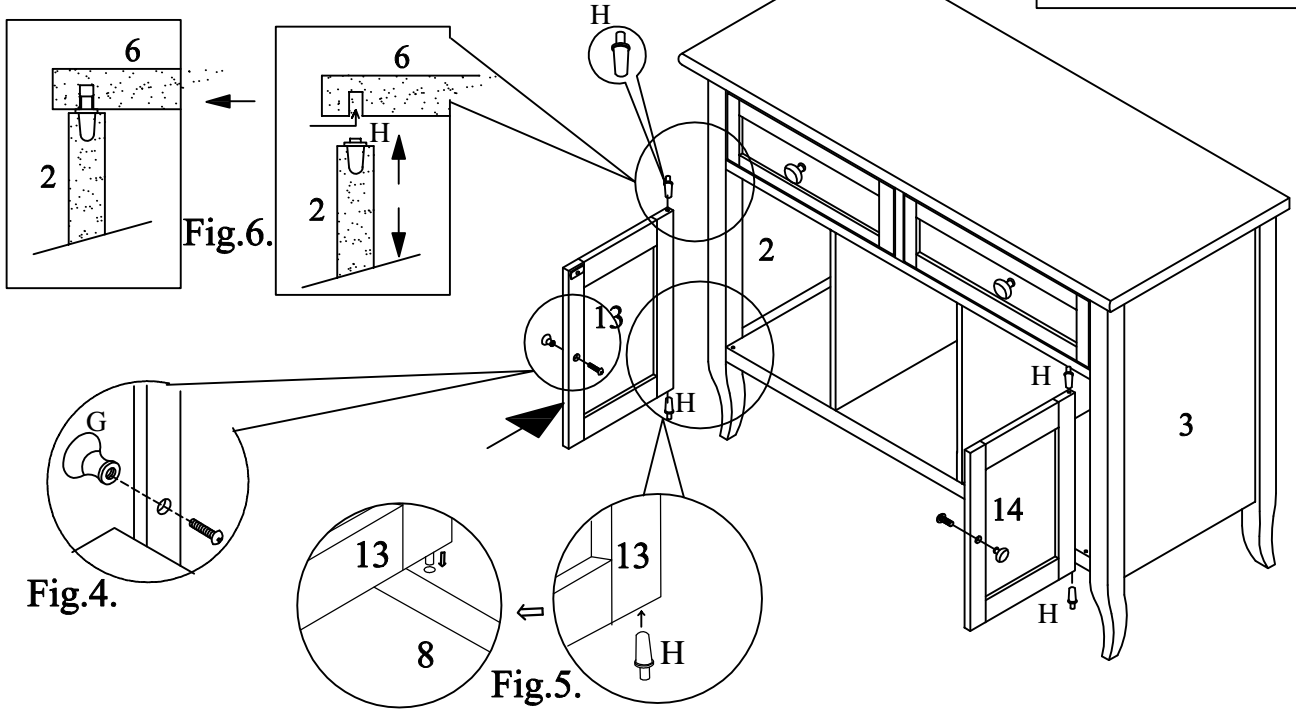


Step 14: Attach the knobs(G) to doors (13)&(14) with included bolts. Refer Fig.4.

Step 15: Insert the pin (H) into the hole on the bottom of door panel (13), then connect the door panel(13) to the unit bottom panel (8) as below Fig.5. Insert the upper Pin(H) into to hole on the top of door panel(13), then press down the upper pin(H) see Fig.6. and hold the door panel carefully into the cabinet with the upper pin popping up into the hole of top shelf (6).

Step 16: Repeat the above steps to assemble another door panel (14).

H:		4 SETS
G:	 	2 SETS



Step 17: Cross the "X" panels (15) and then put them into the center of this wine rack.

