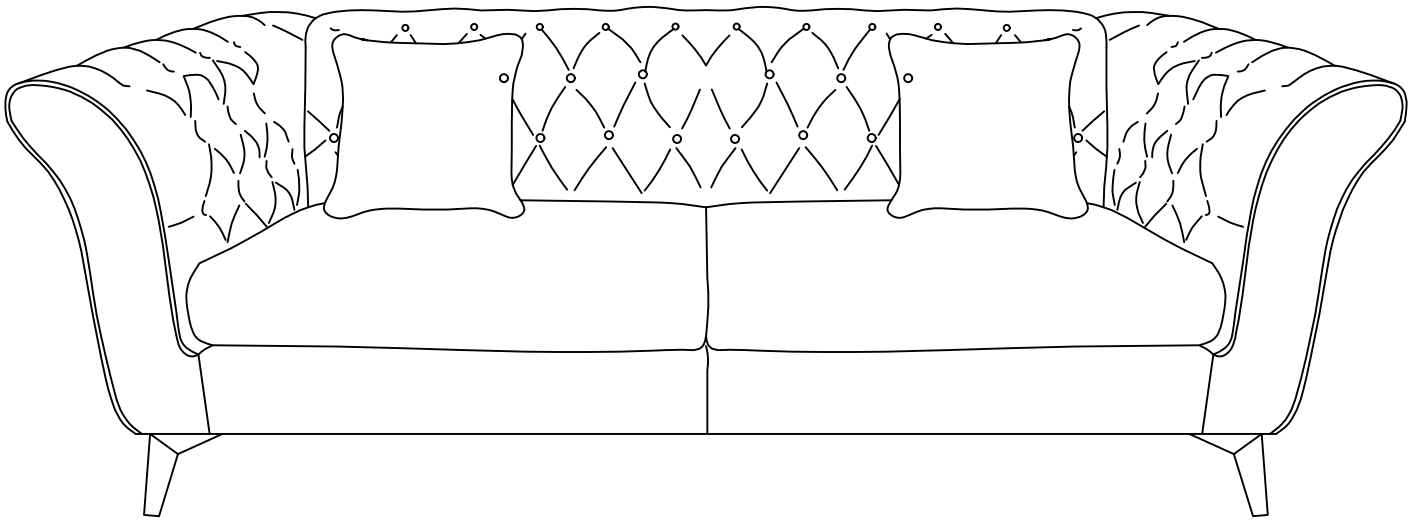
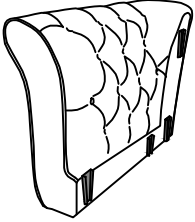
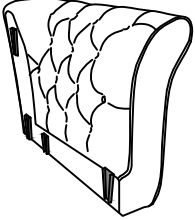
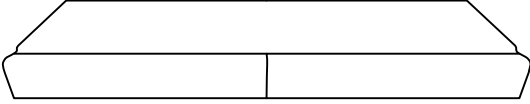
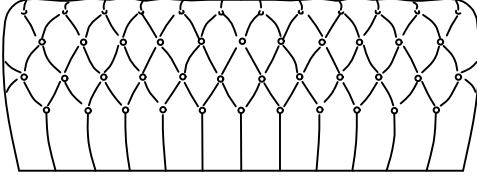
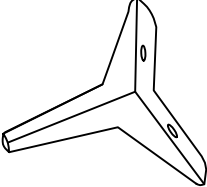
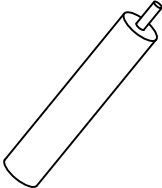

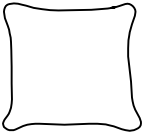


# Assembly Instruction


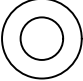


## Sofa



# Parts List

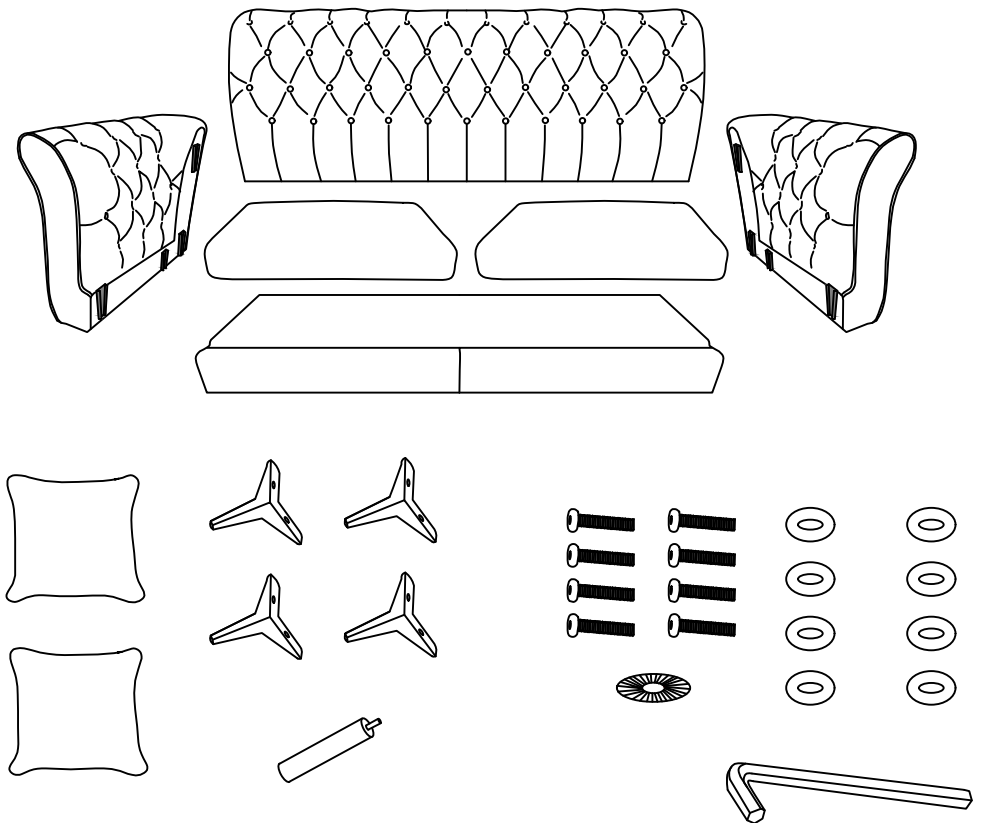
Label	Picture	Description	QTY
AL	 A line drawing of a tufted left armrest with a curved top and a small rectangular detail on the side.	Left Armrest	1
AR	 A line drawing of a tufted right armrest, which is a mirror image of the left armrest.	Right Armrest	1
B	 A line drawing of a rectangular seat cushion with a central vertical seam.	Seat	1
C	 A line drawing of a tufted backrest with a diamond-shaped pattern of stitching.	Backrest	1
D	 A line drawing of a three-pronged leg with a triangular top and rounded ends.	Leg	4
E	 A line drawing of a cylindrical mid-leg component with a small protrusion at one end.	Mid-Leg	1
F	 A line drawing of a rectangular seat cushion with rounded corners.	Seat cushion	2
G	 A line drawing of a square pillow with slightly rounded corners.	Pillow	2






# Hardware

Label	Picture	Description	QTY
①		Bolt (M8*25MM)	8
②		Washer	8
③		Allen Key	1
④		Plastic washer	1

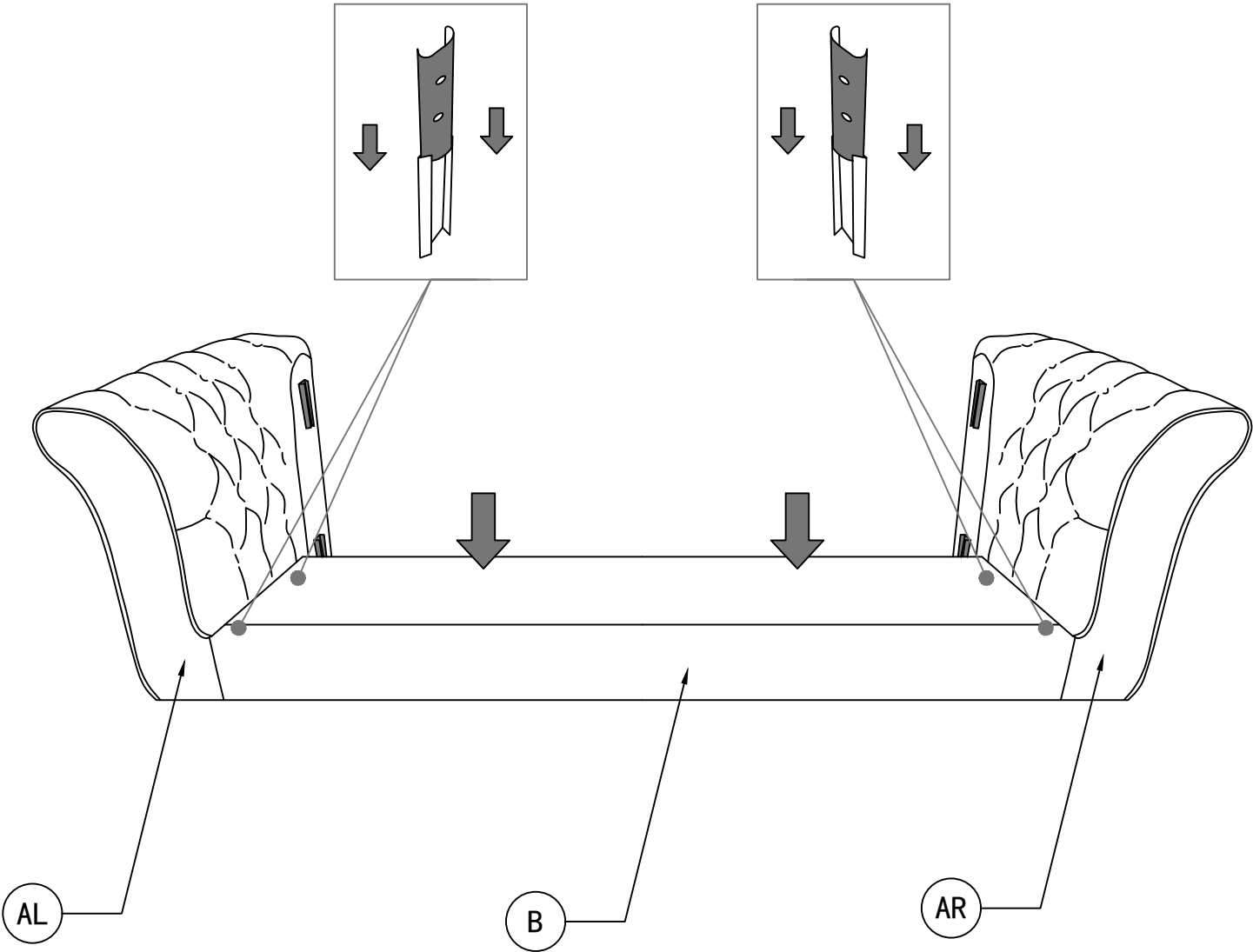
# Assembly Preparation

Before Beginning Assembly:

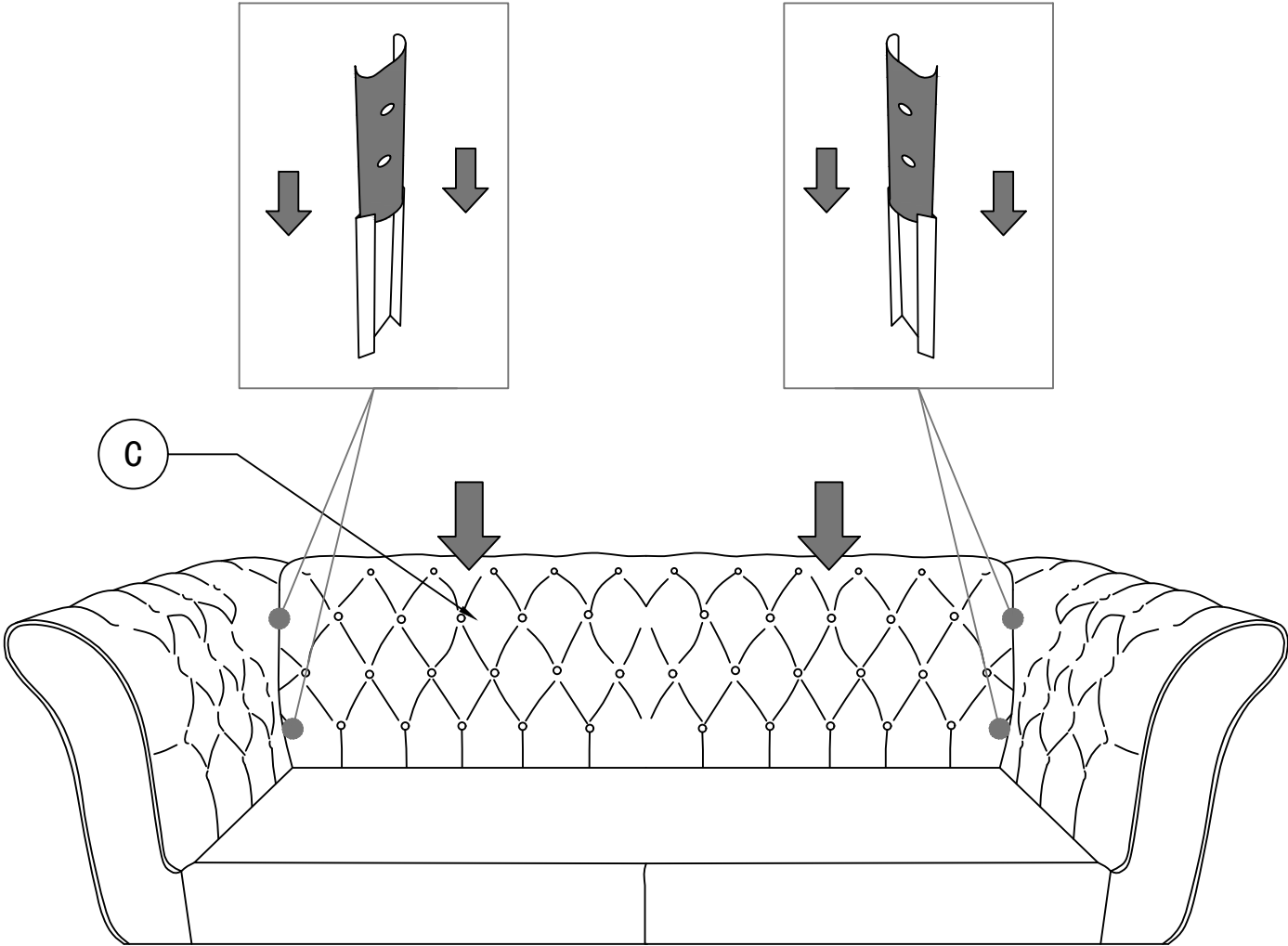


-  ● Read instructions, cover to cover.
-  ● Have 2 adults on hand for assembly.
-  ● Do not assemble on flooring or carpet.
-  ● Assemble on a clean non-marring surface (packing foam).
-  ● Save all packaging until finished.

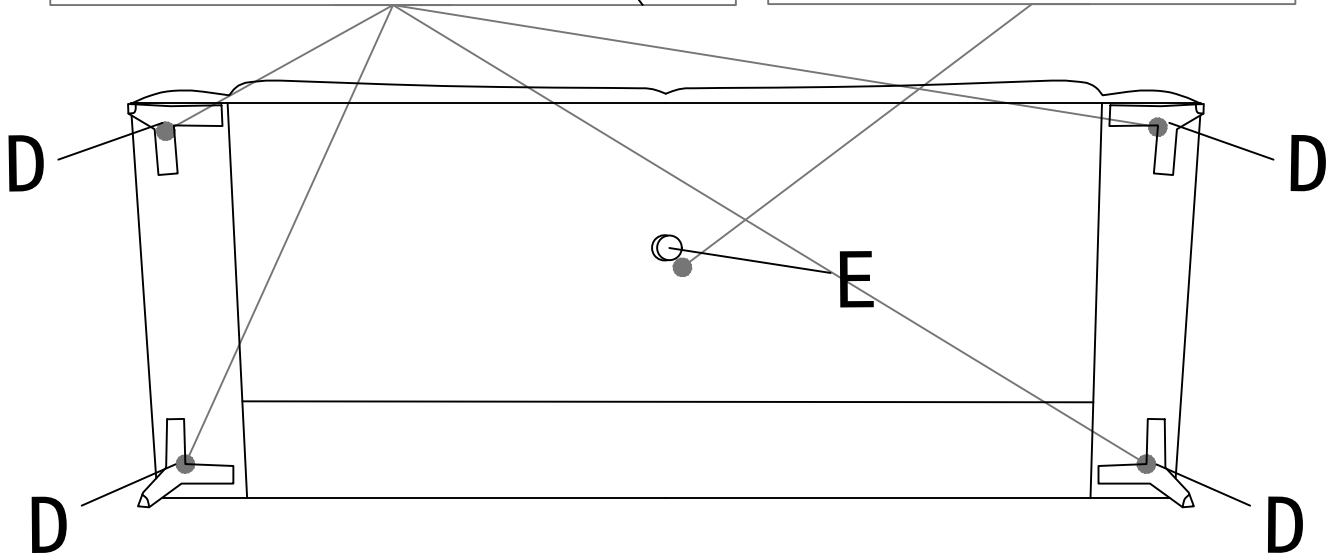
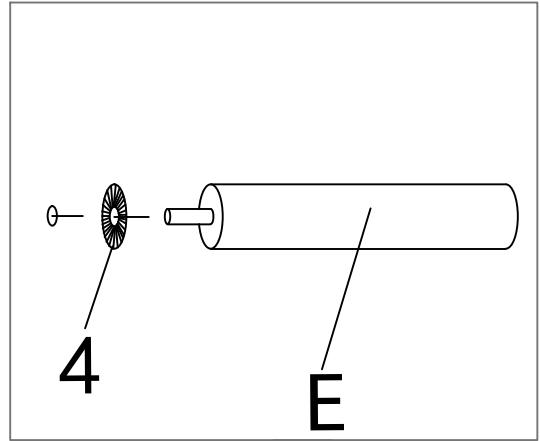
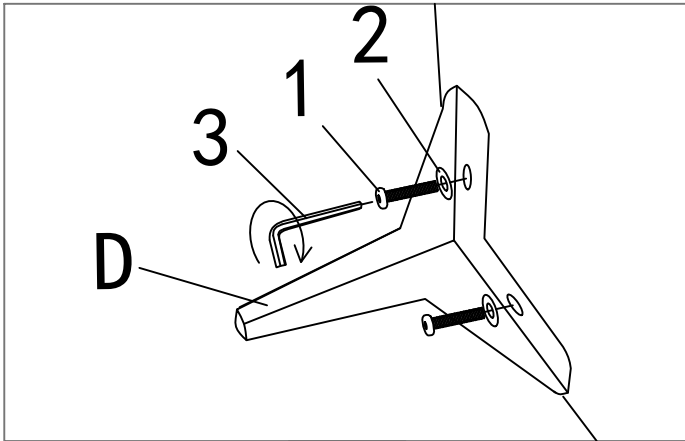
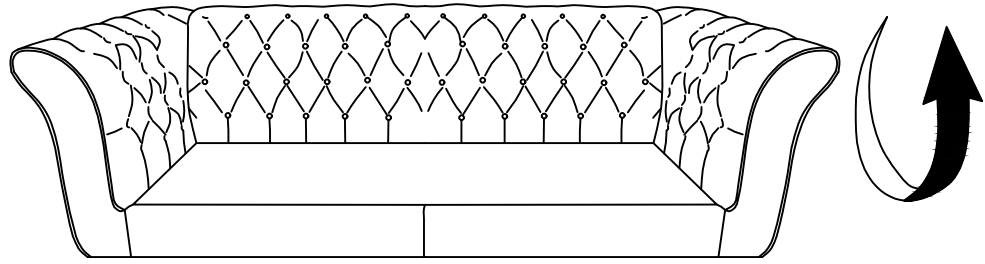
# Step1



# Step2



# Step3



# Step4

