
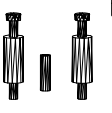
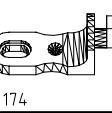


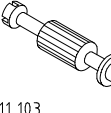
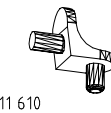

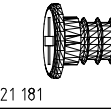
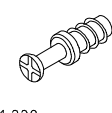

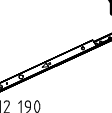
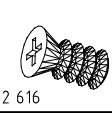
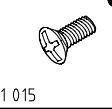
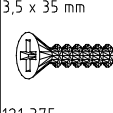
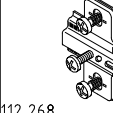
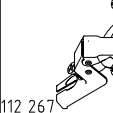
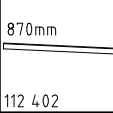
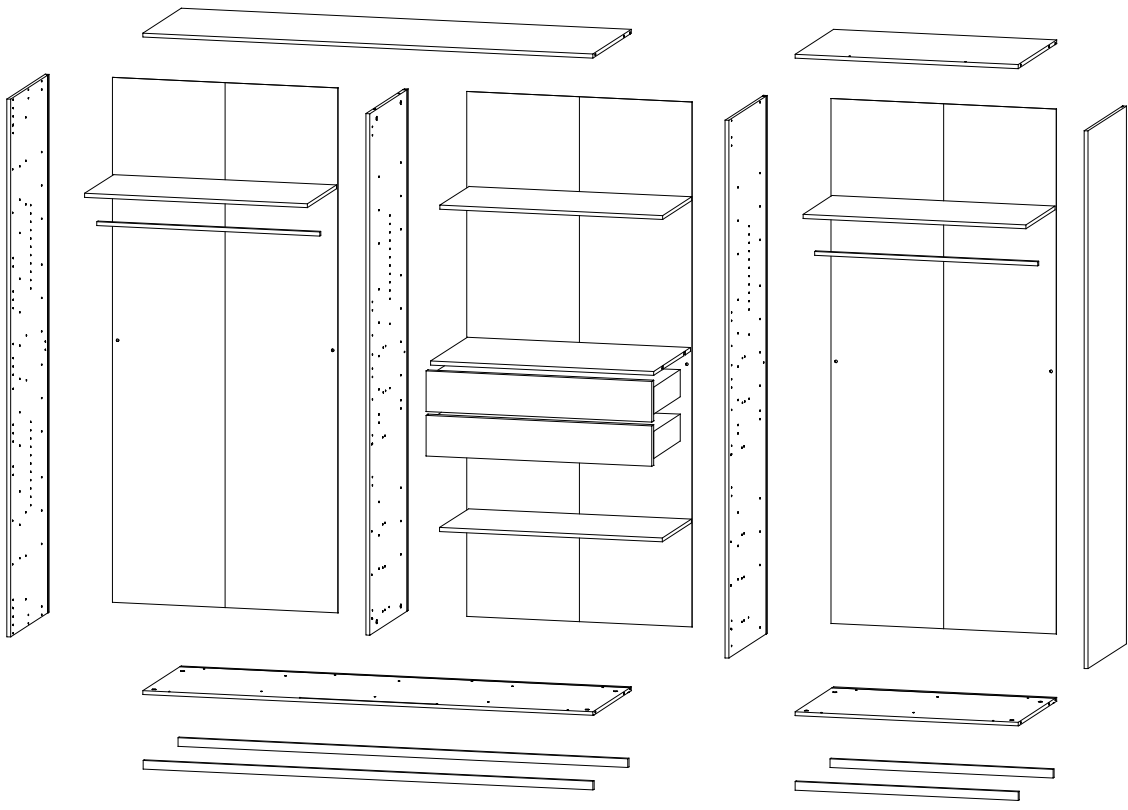
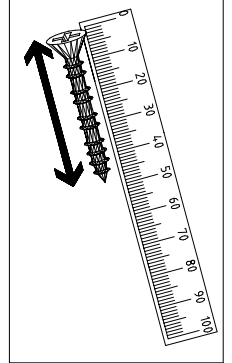
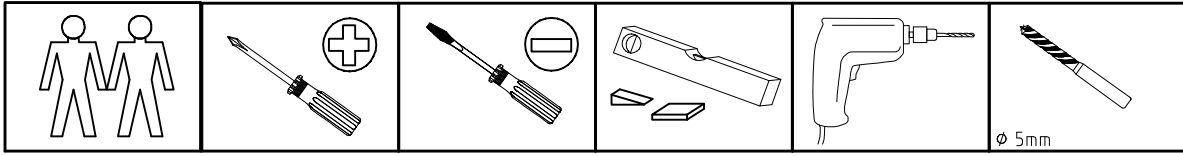
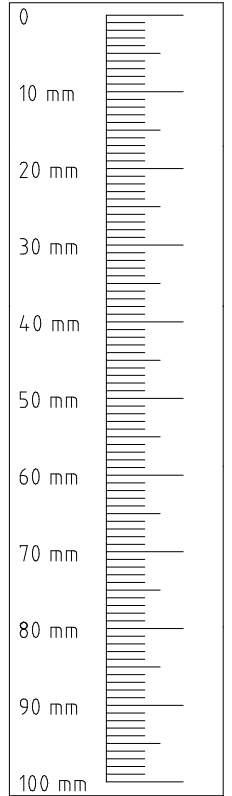
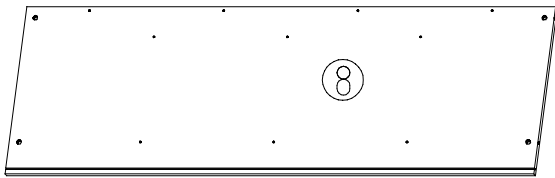
 111 252	VB23	4x
 111 102	A	20x
 111 102	F3	4x
 111 174	J1	6x
 117 001	K1	4x

 163 007	Z	2x
 111 103	C	12x
 111 610	L7	16x
 M6 x 11 mm	SBV	6x
 121 181	T6	6x

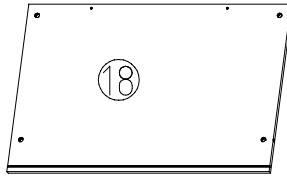
 111 229	F	4x
 3,5 x 15 mm 121 370	G1	10x
 112 190	Y20	4x
 M6 x 10	T3	8x
 M4 x 9 mm 111 015	G8	4x

 3,5 x 35 mm 121 375	G14	18x
 112 268	M	20x
 112 267	N	20x
 870mm 112 402	K20	2x

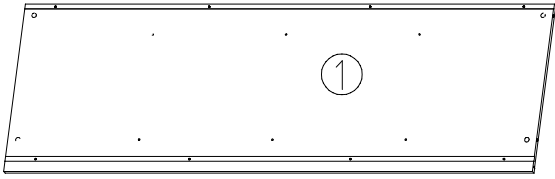




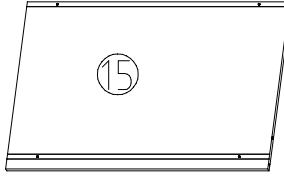
1761 x560x15



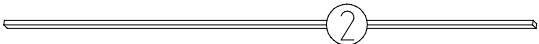
873 x560x15



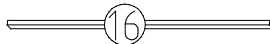
1761 x560x15



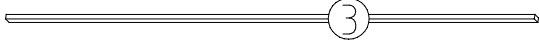
873 x560x15



1761 x33x15



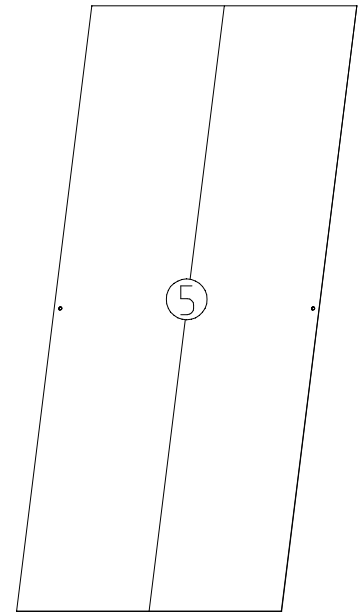
873 x33x15



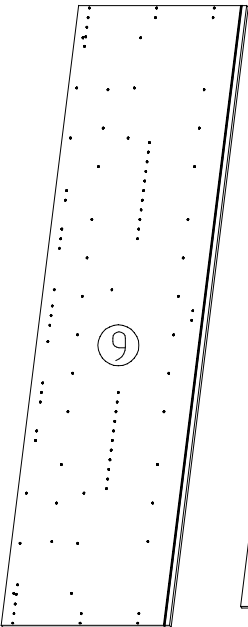
1761 x33x15



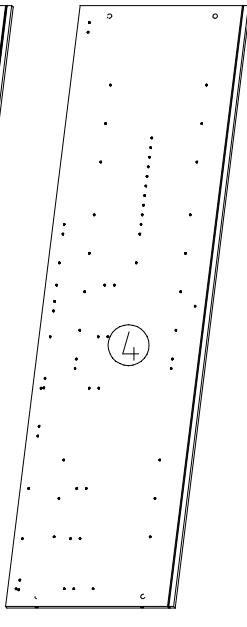
873 x33x15



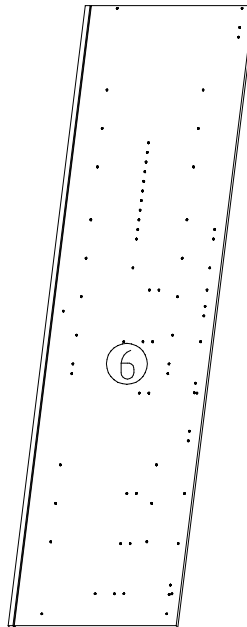
3x 2015x882x2,5



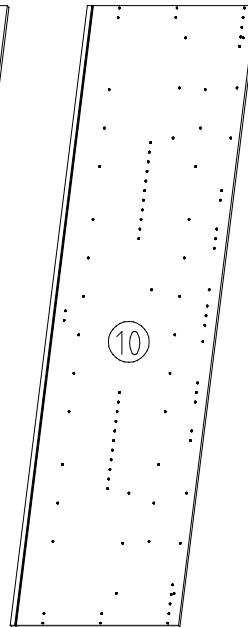
2064x560x15



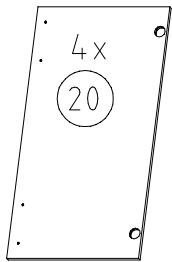
2001x560x15BB



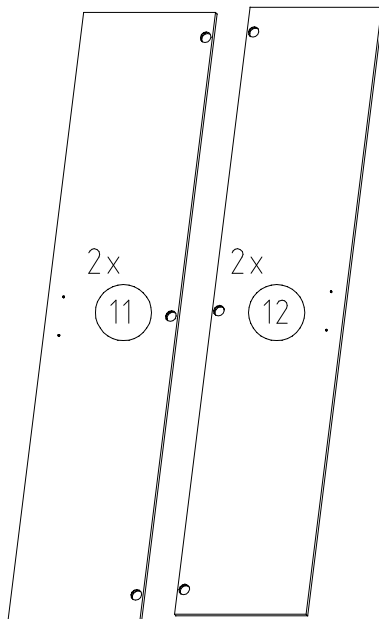
2064x560x15BB



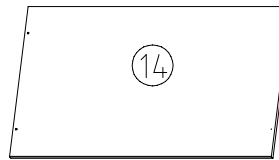
2064x560x15



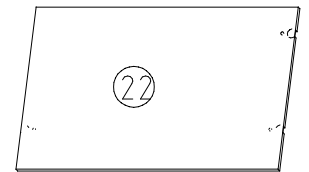
4x
837x439x15



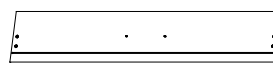
2x
2x
2021x439x15



4x
873x500x15



873x540x18



2x
883 x 168 x 15

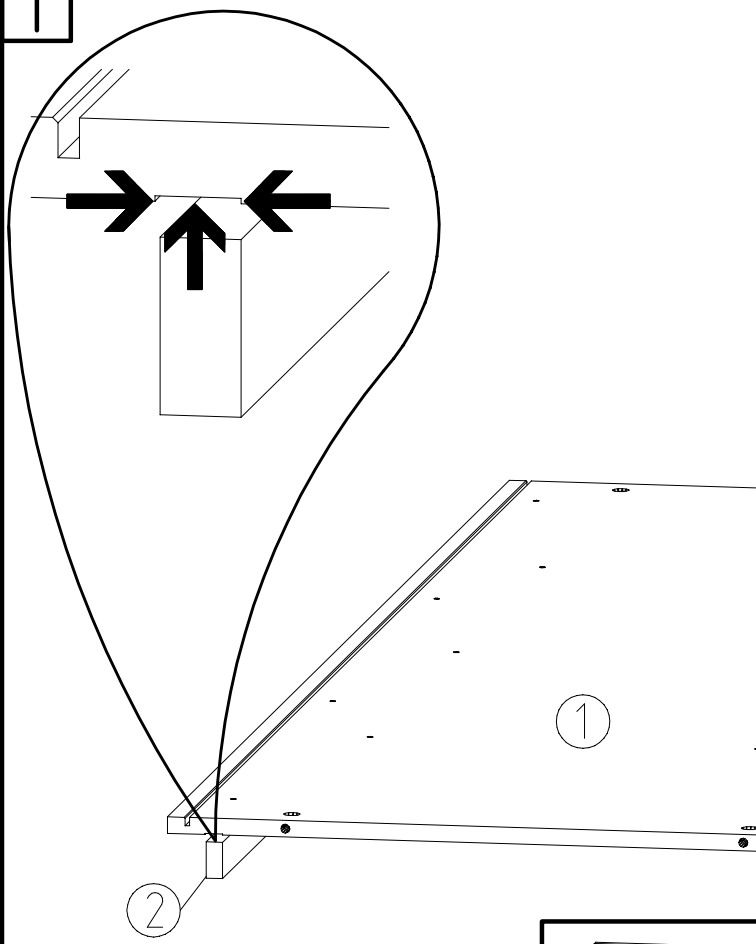


2x
852 x 439 x 2,5

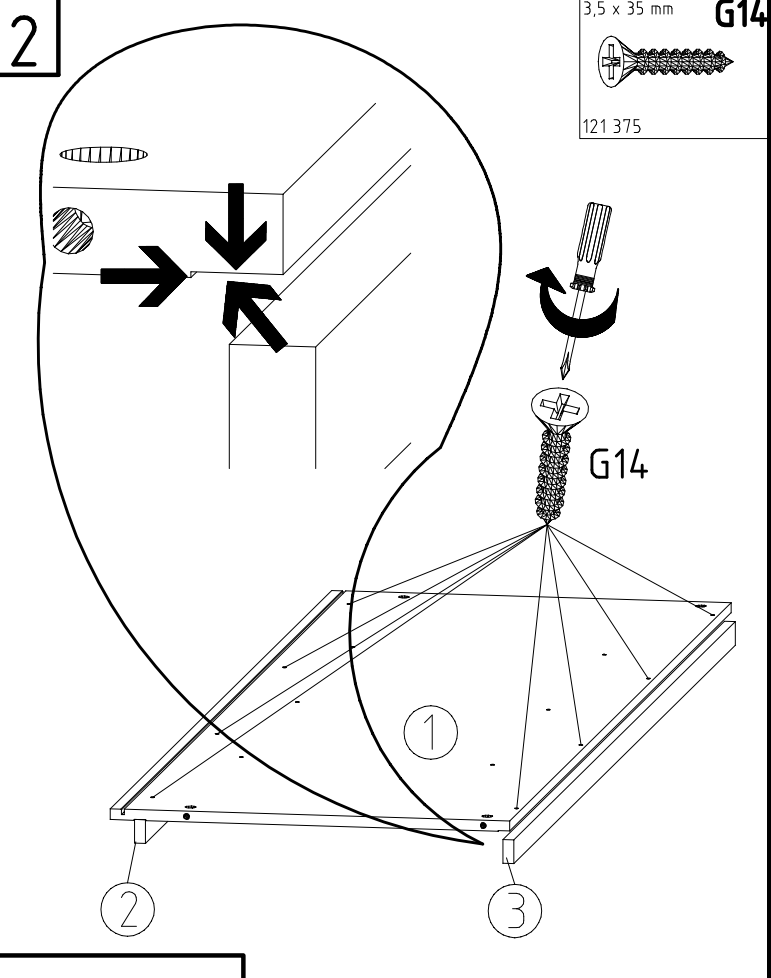


2x
439 / 866 / 439 x 92 x 12

1



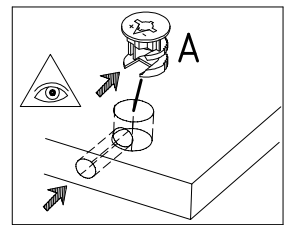
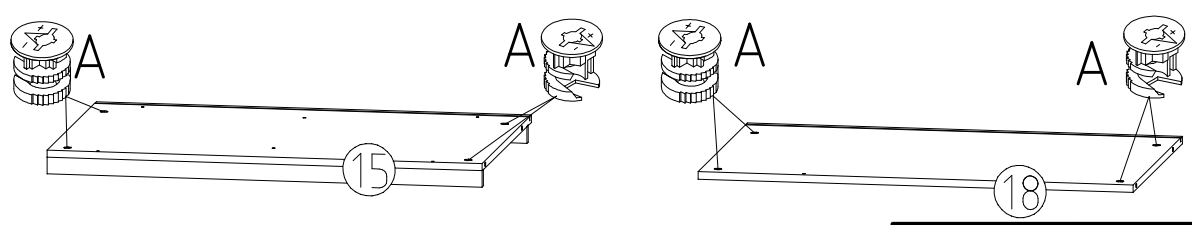
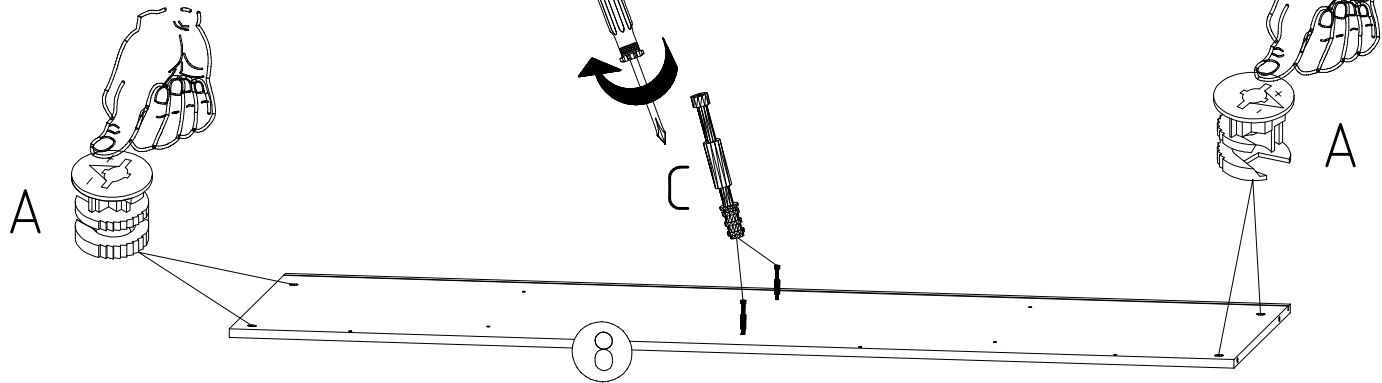
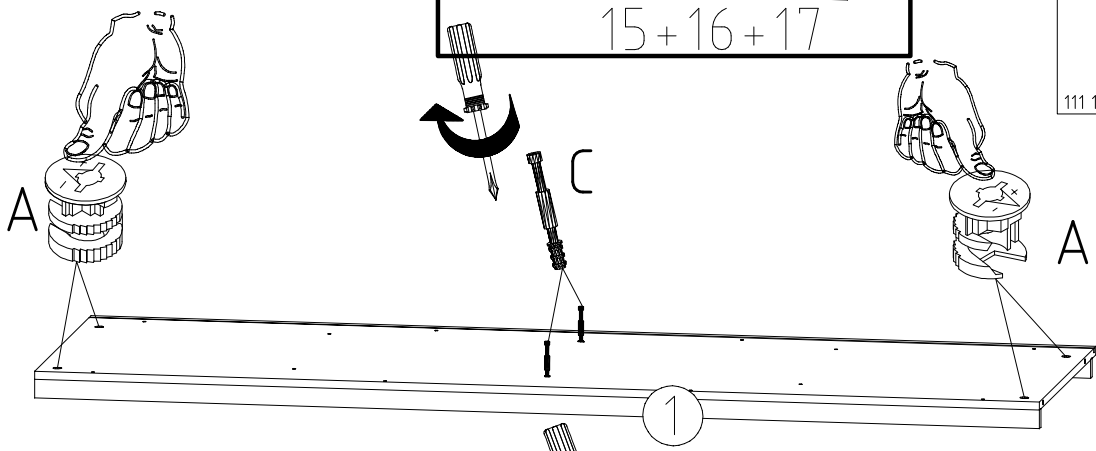
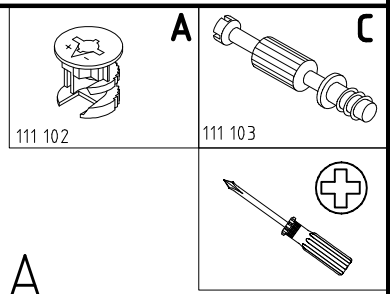
2



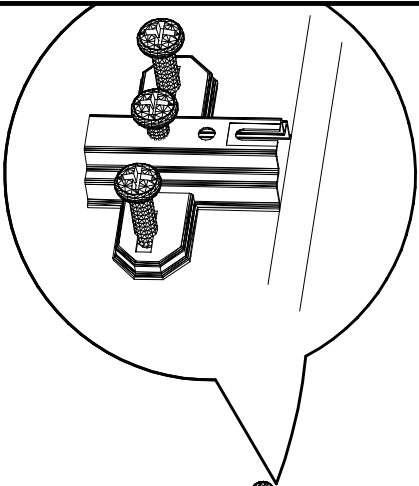
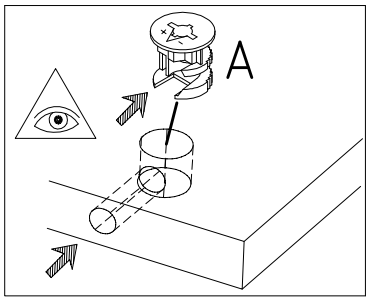
3,5 x 35 mm G14
121 375


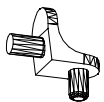
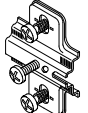

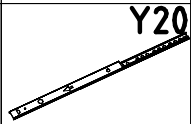
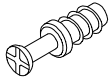
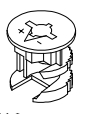
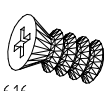
3

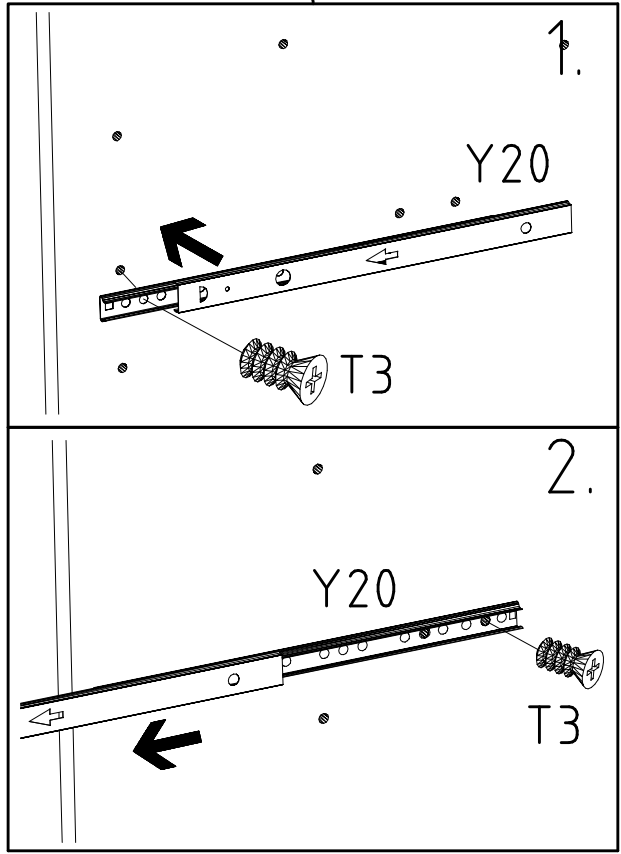
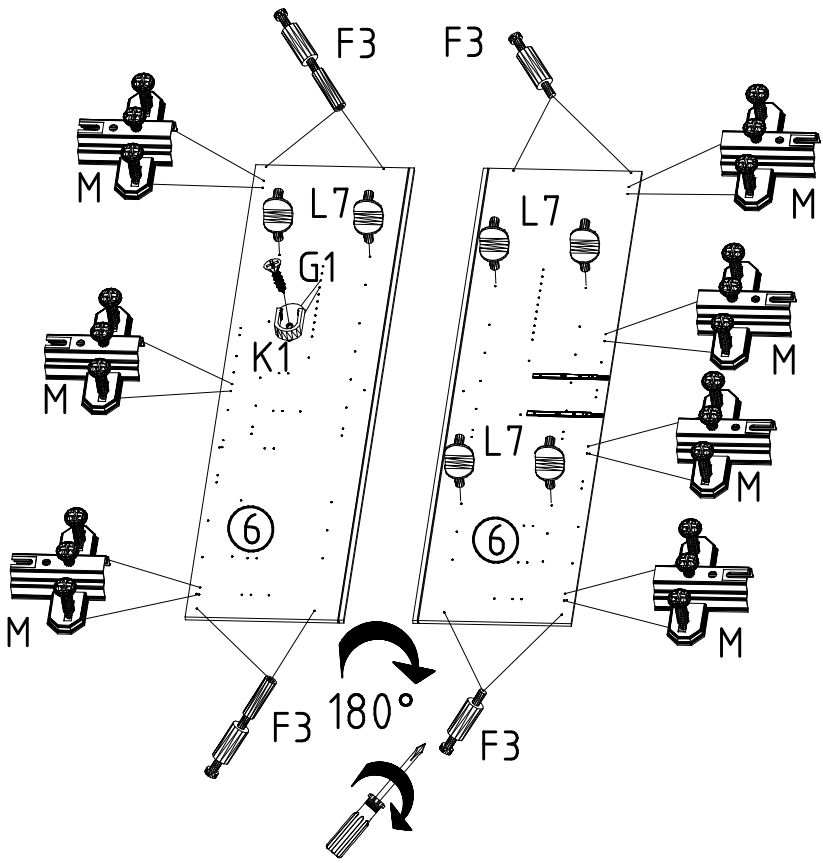
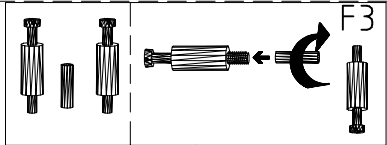
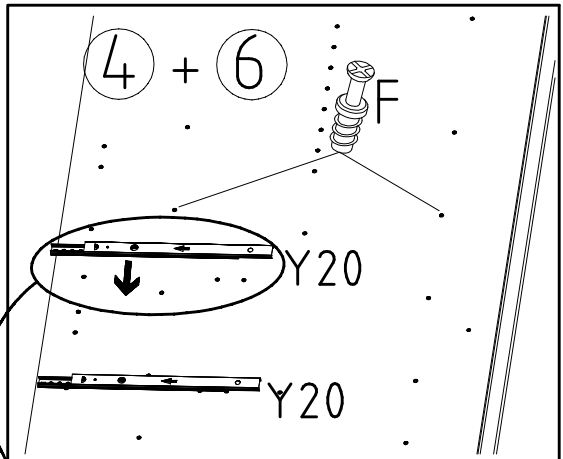
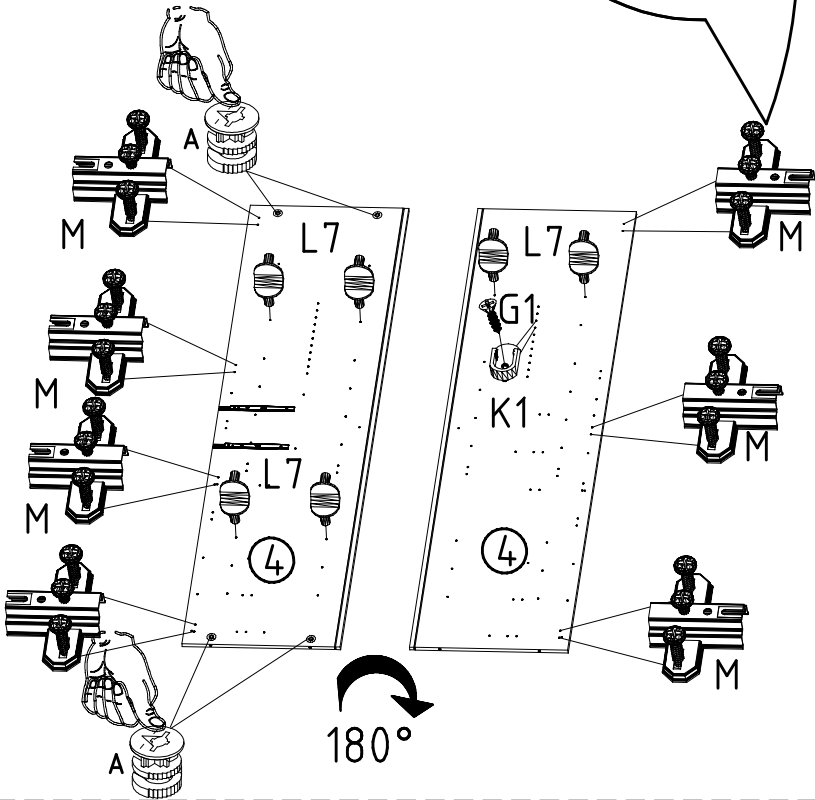
15+16+17



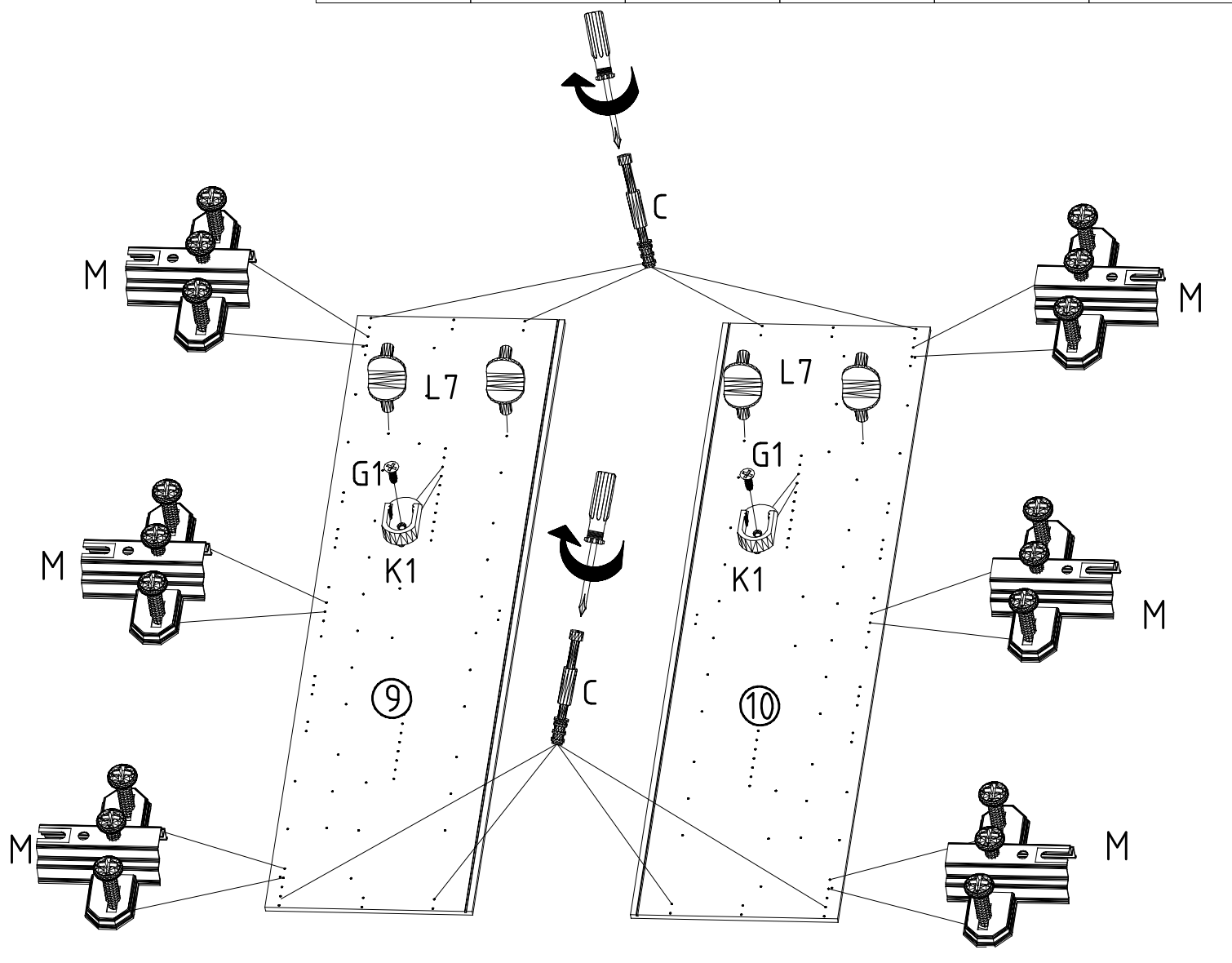
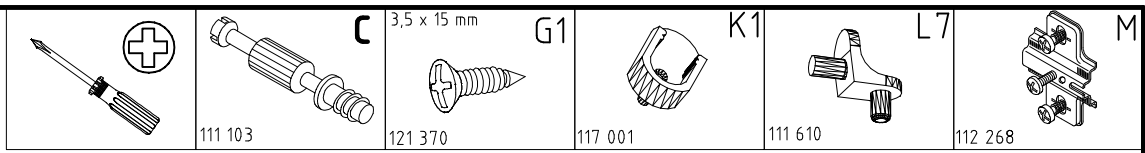
4



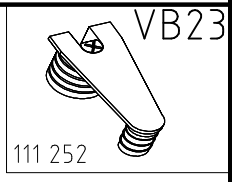
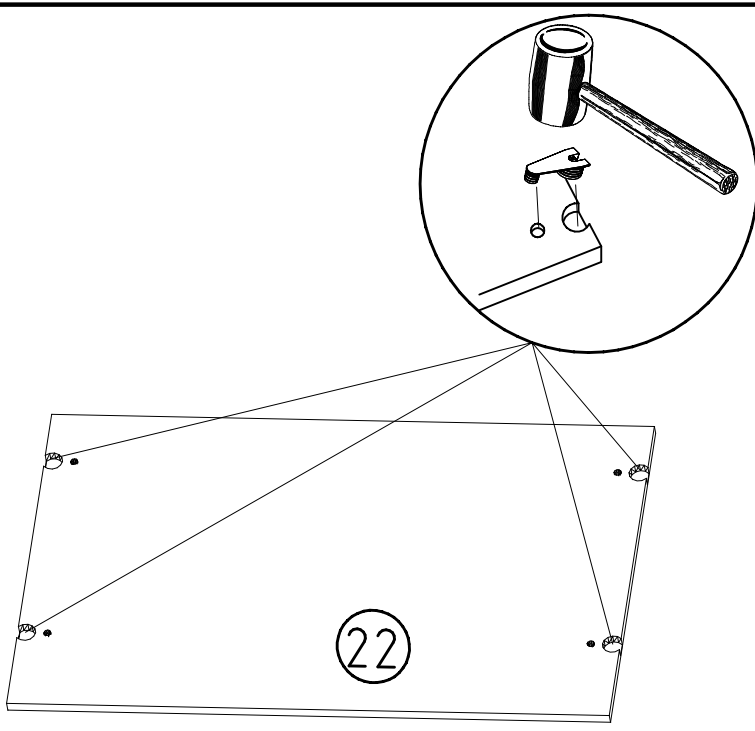
 117 001 3,5 x 15 mm	 111 610	 112 268
 121 370	 112 190	 111 229
 111 102	 M6 x 10 112 616	



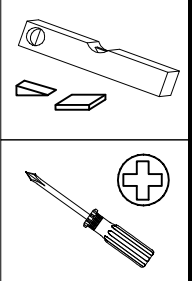
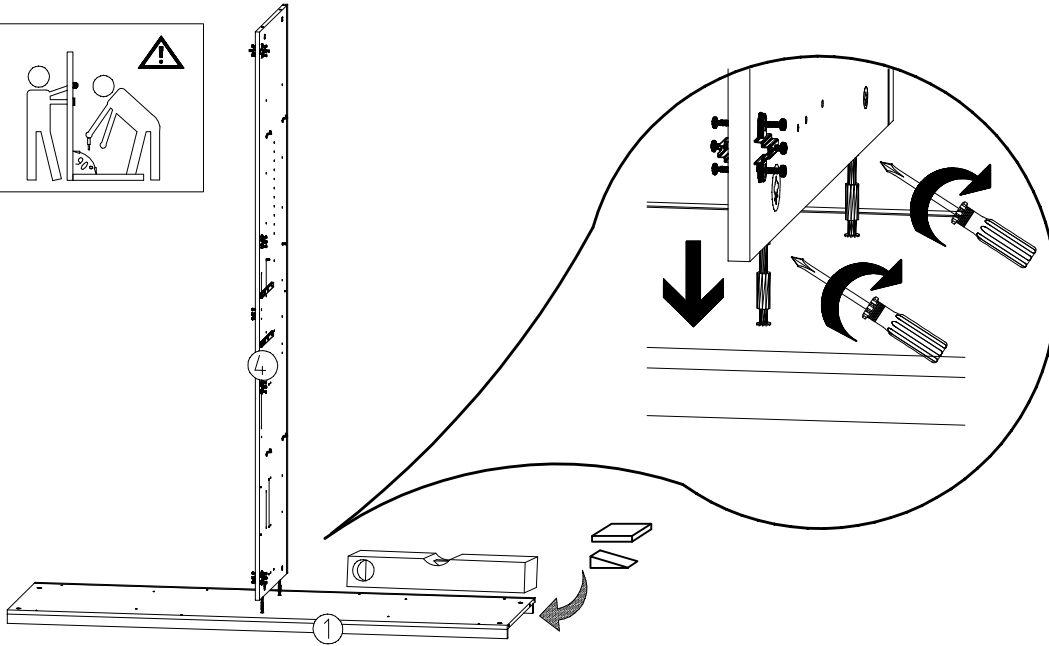
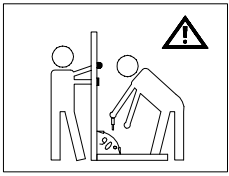
5



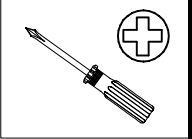
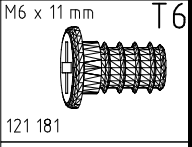
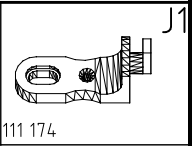
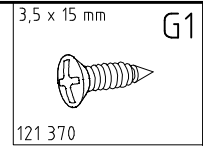
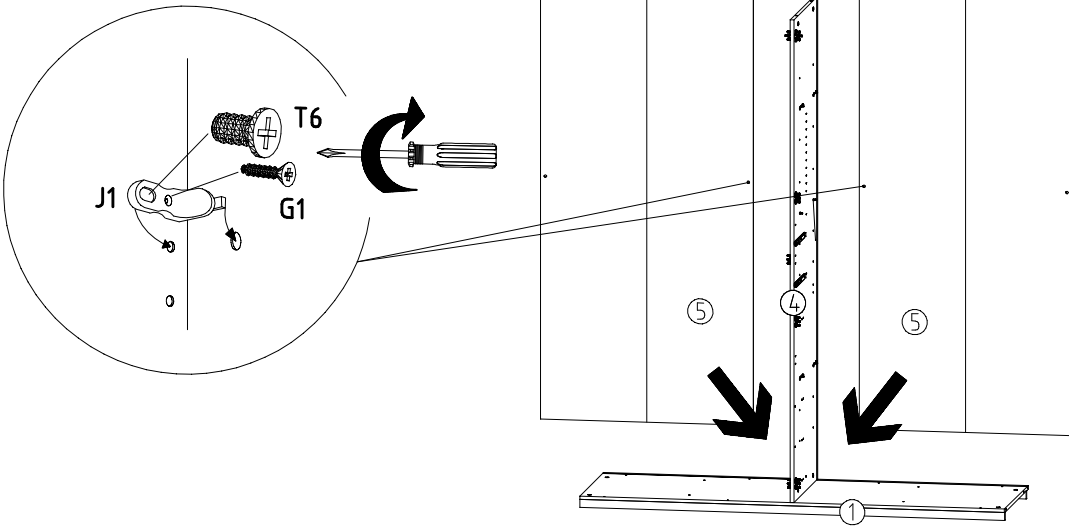
6



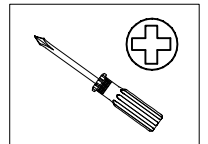
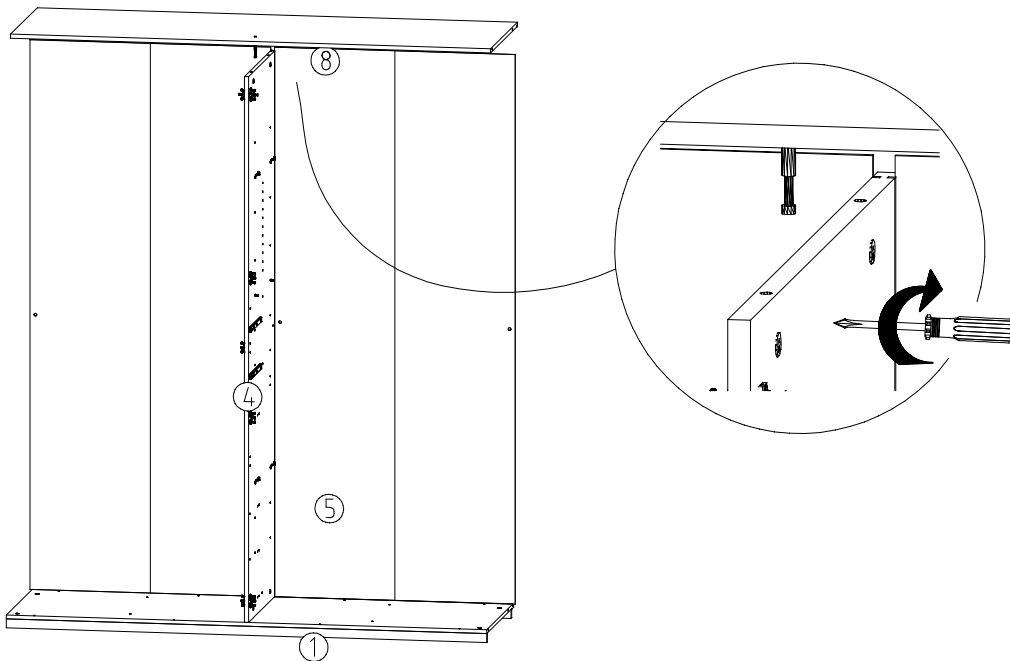
7



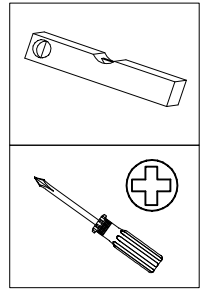
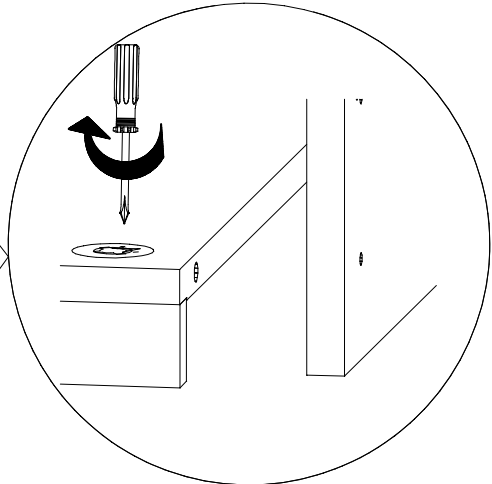
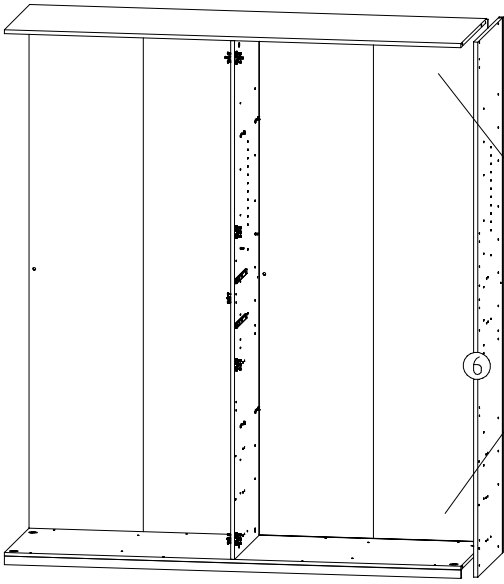
8



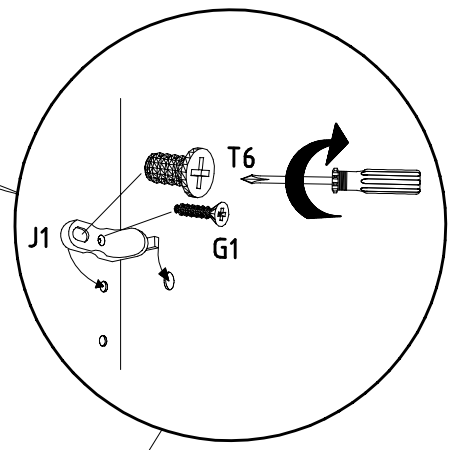
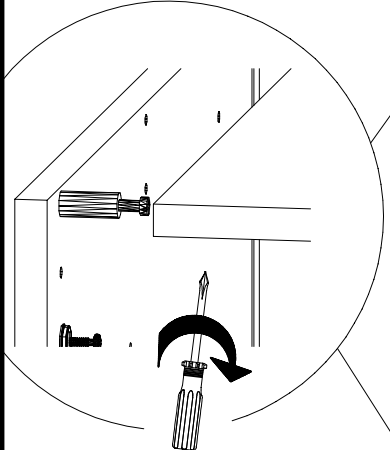
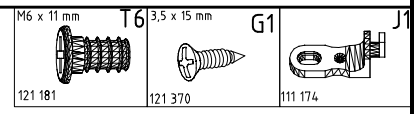
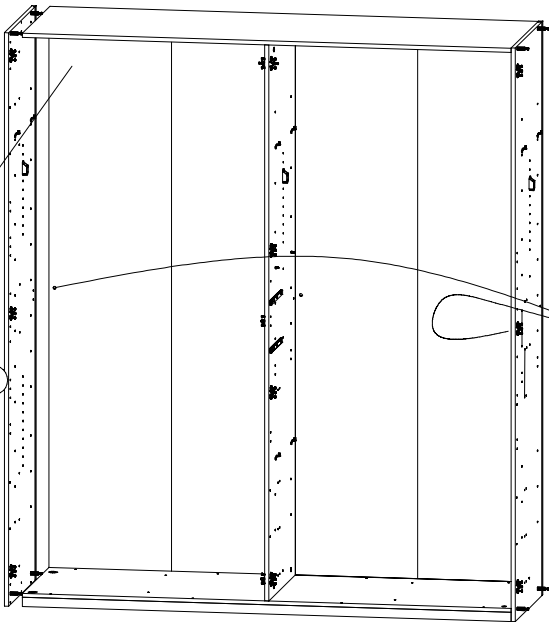
9



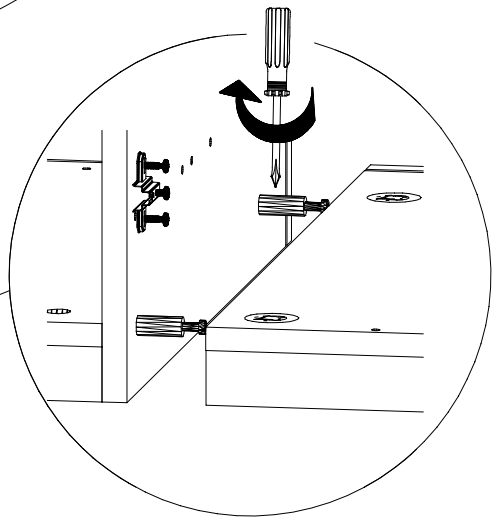
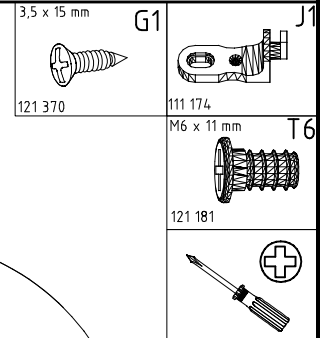
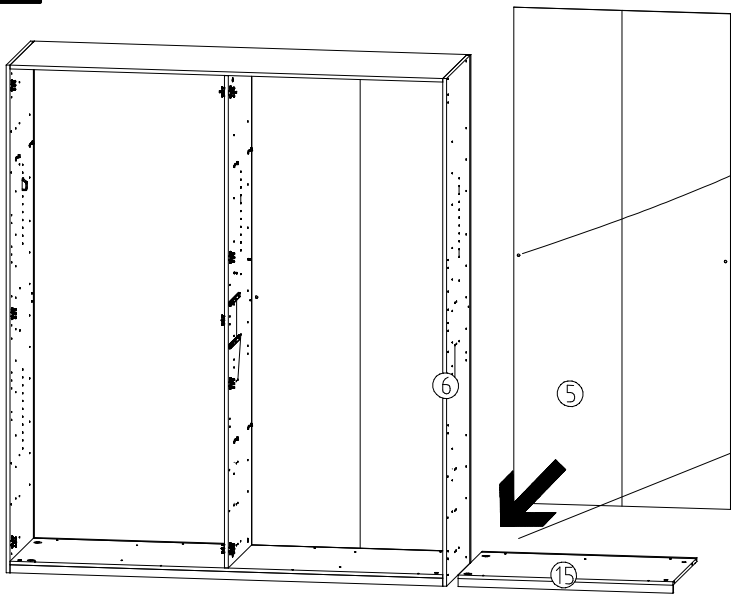
9



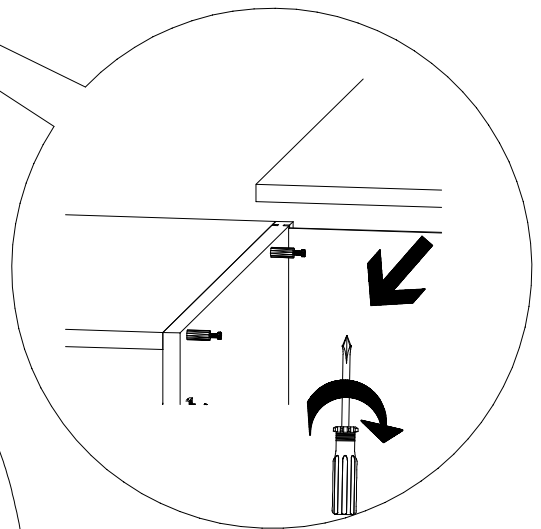
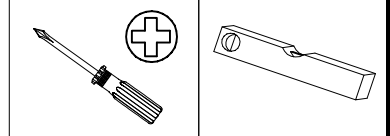
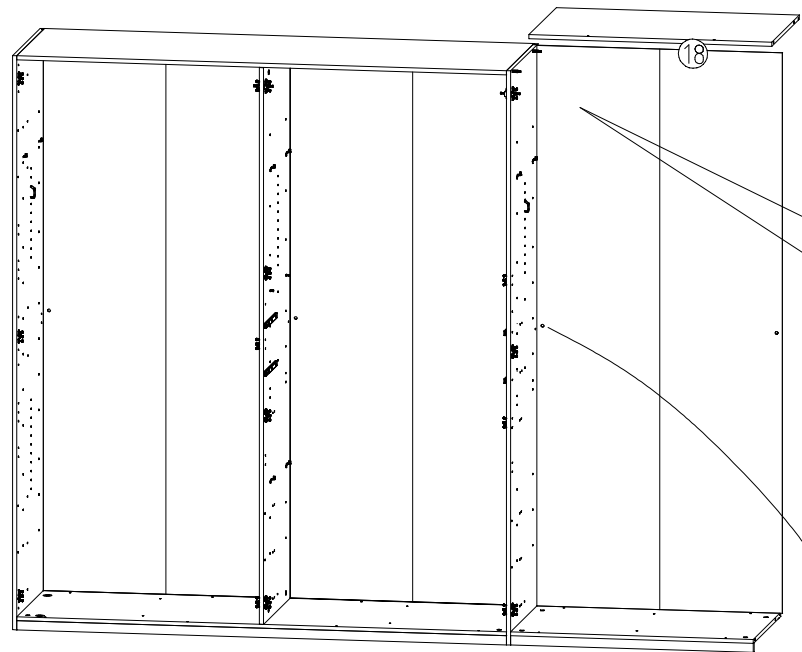
10



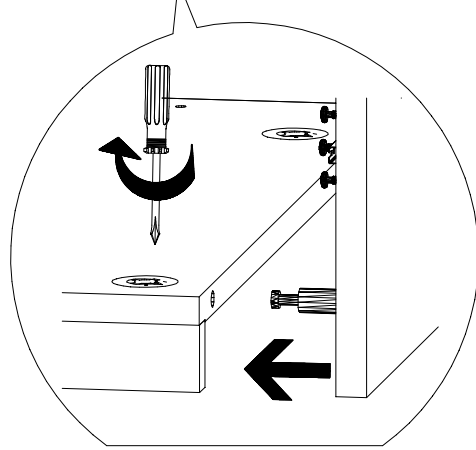
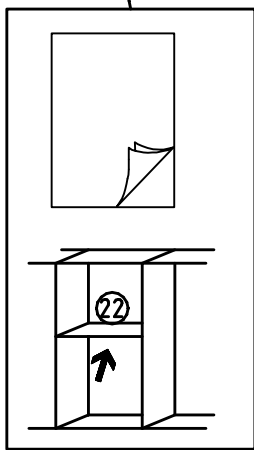
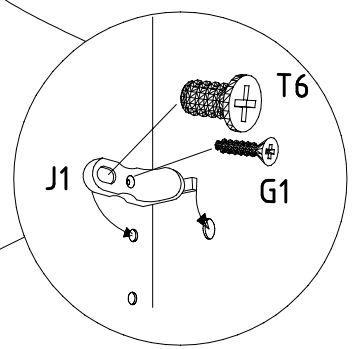
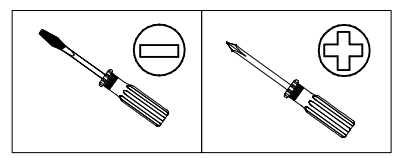
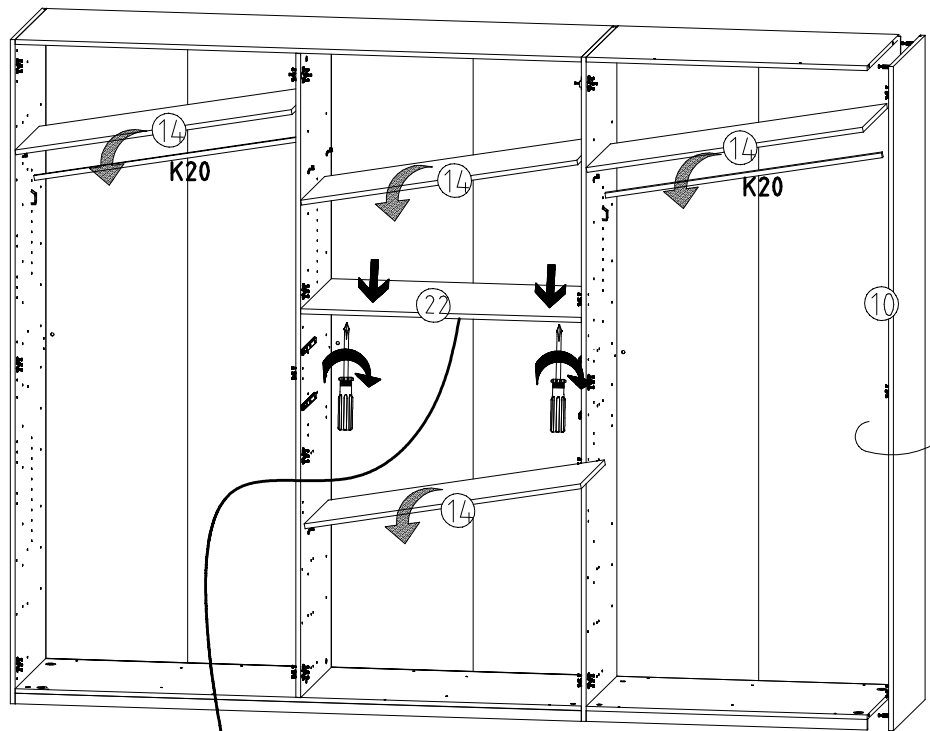
11



12

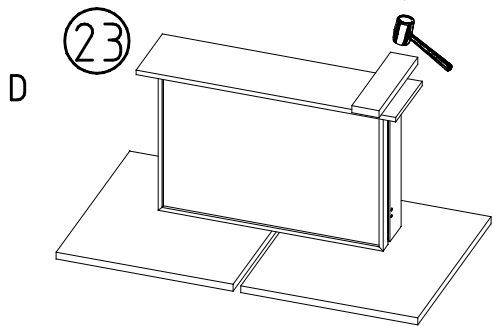
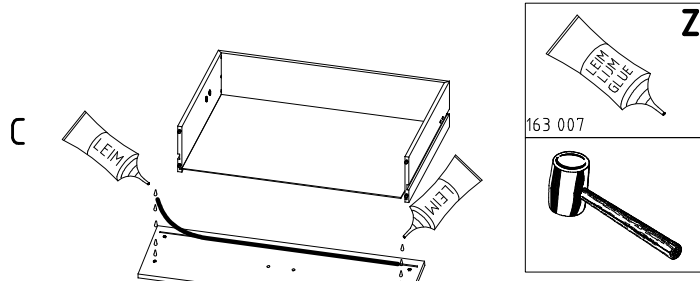
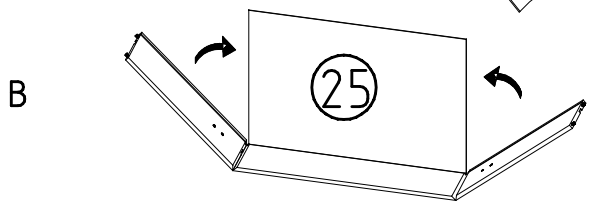
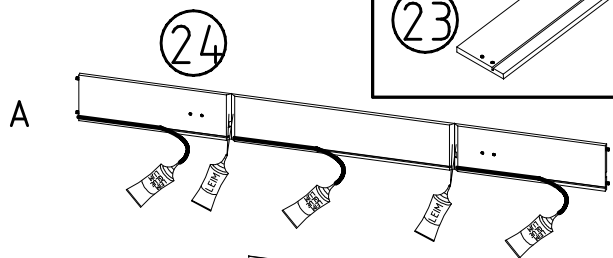
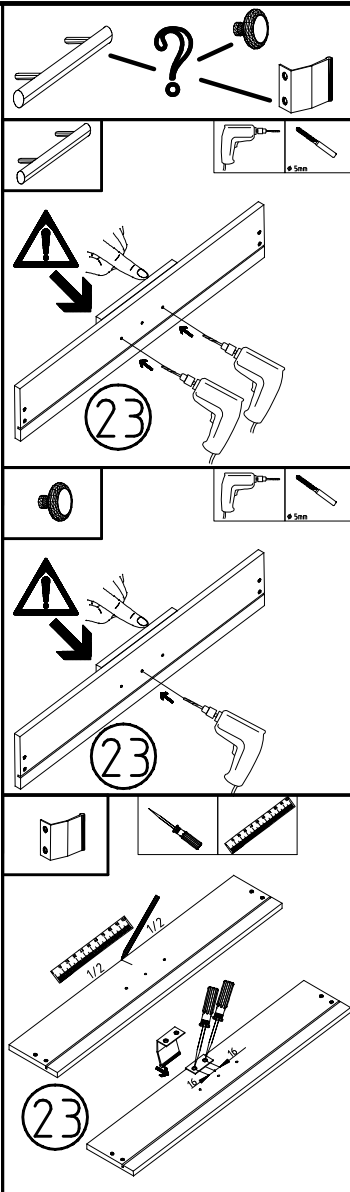
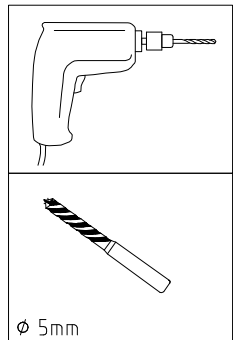


13

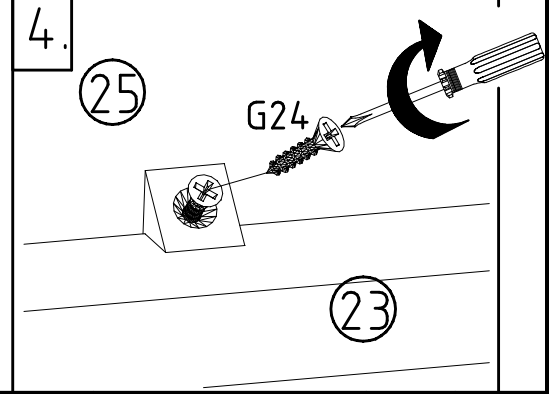
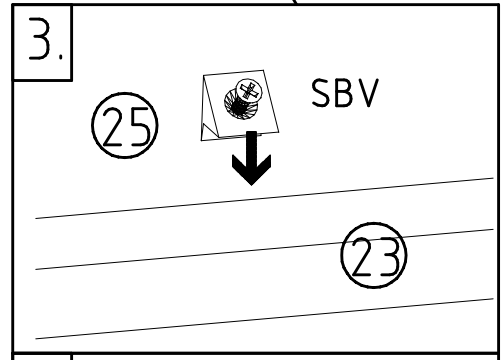
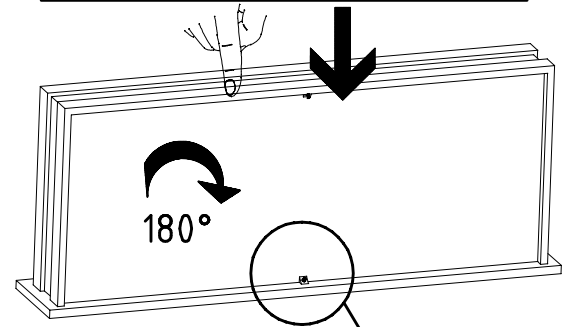
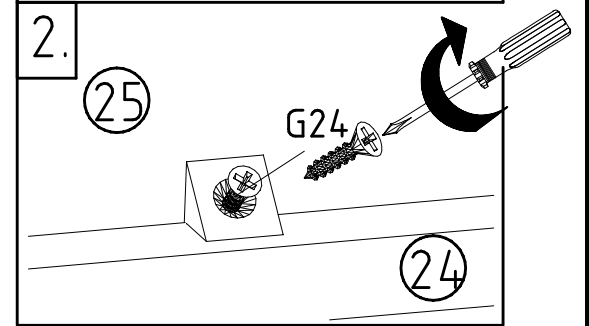
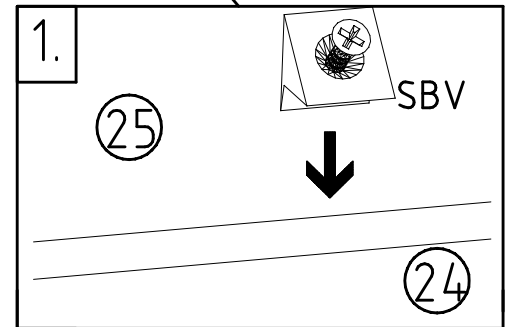
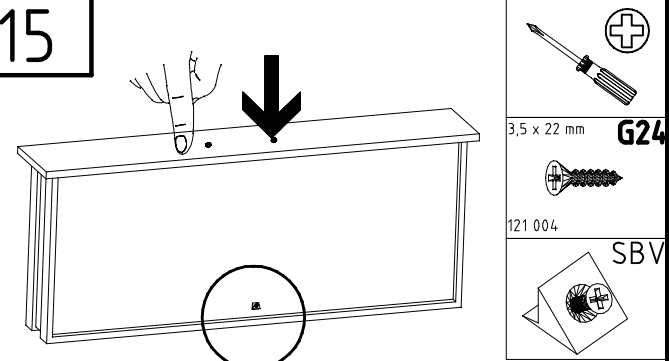


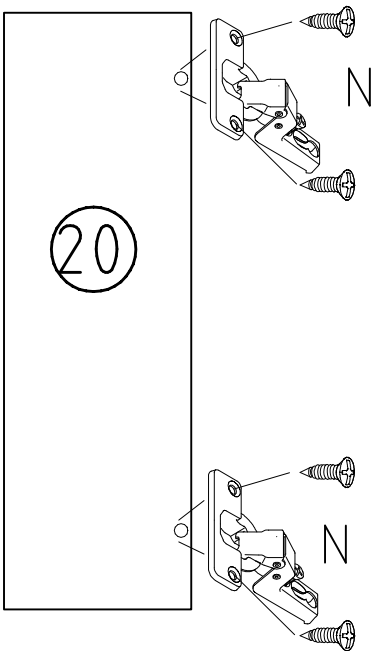
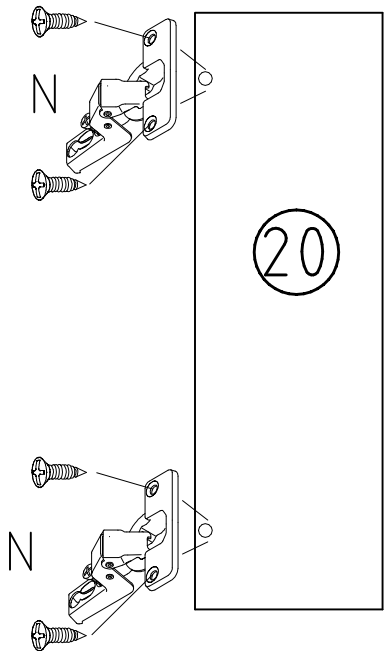
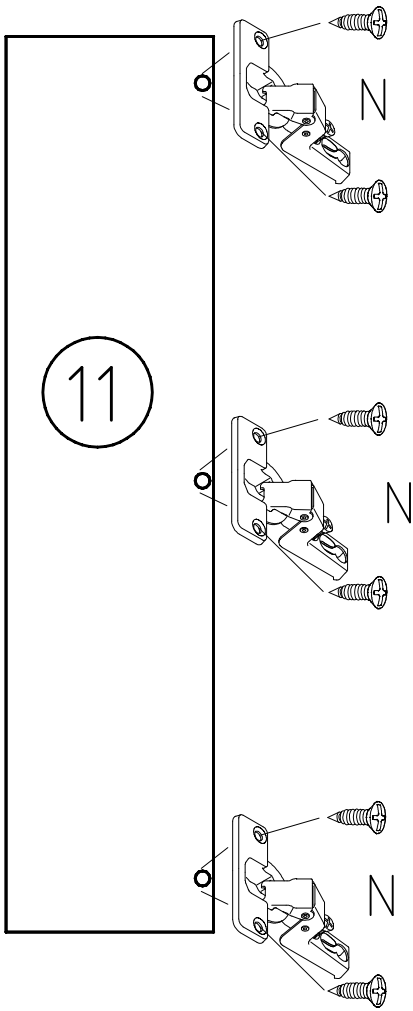
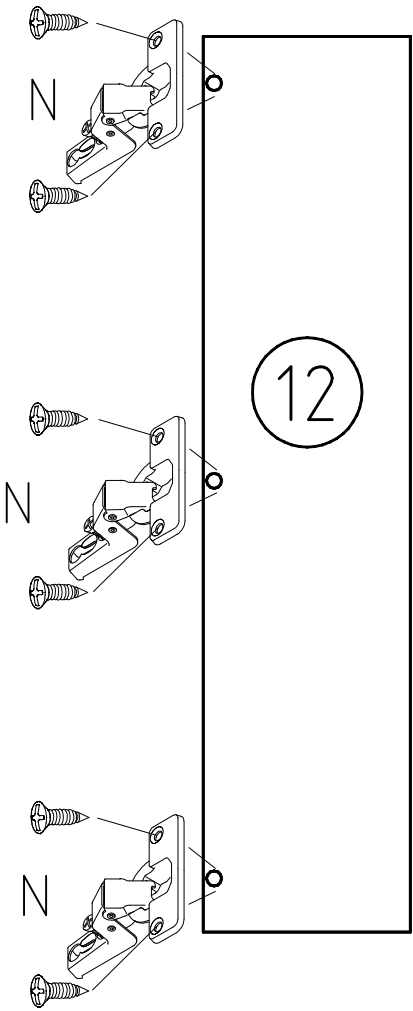
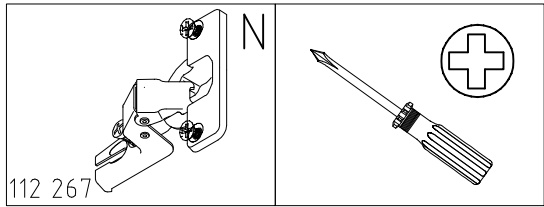
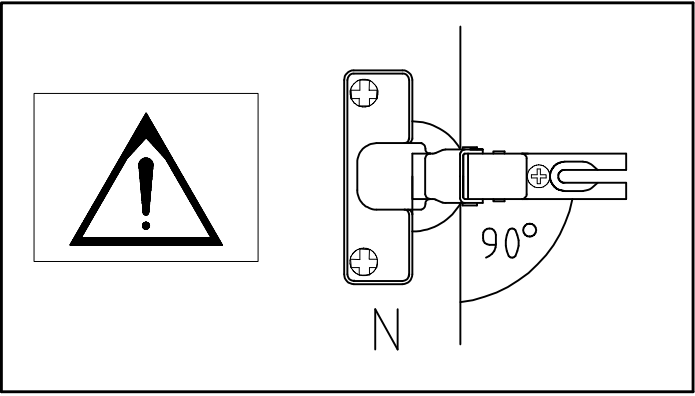
- K20**
870mm
- 112 402
- J1**
111 174
M6 x 11 mm
- T6**
121 181
3,5 x 15 mm
- G1**
121 370

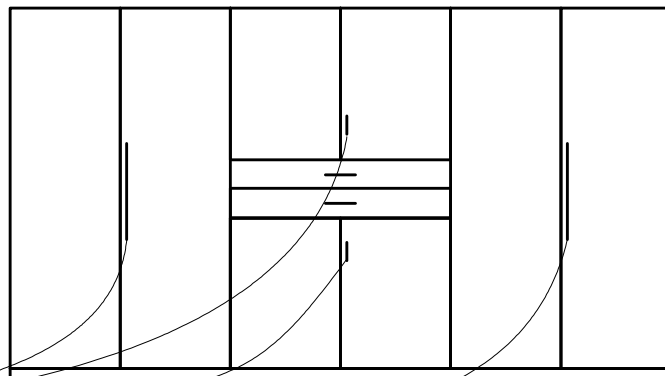
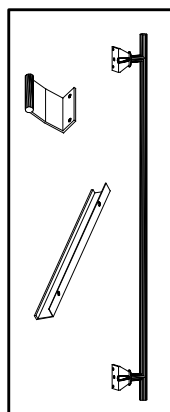
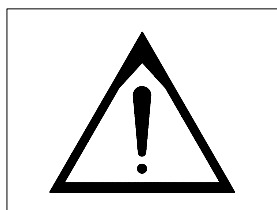
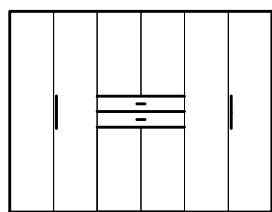
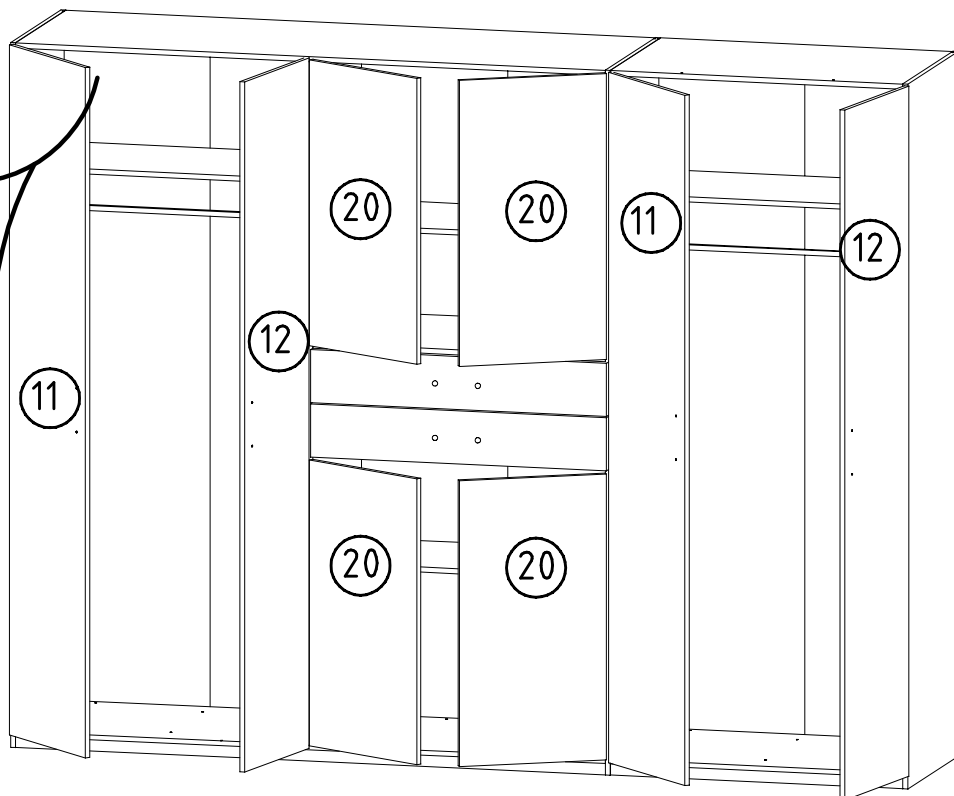
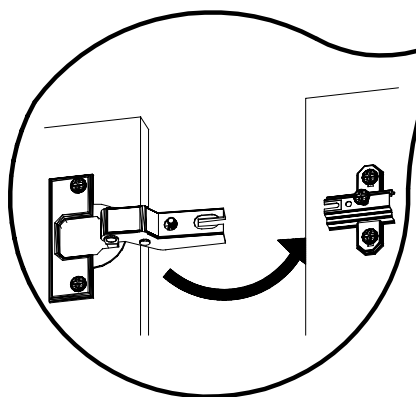
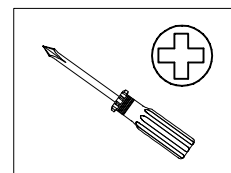
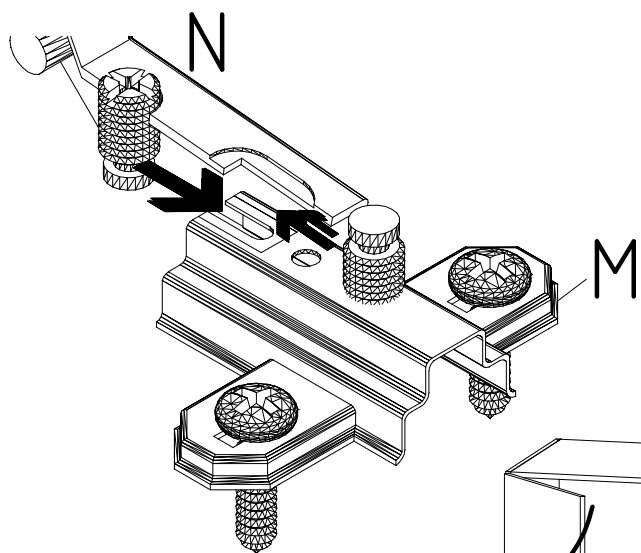
14

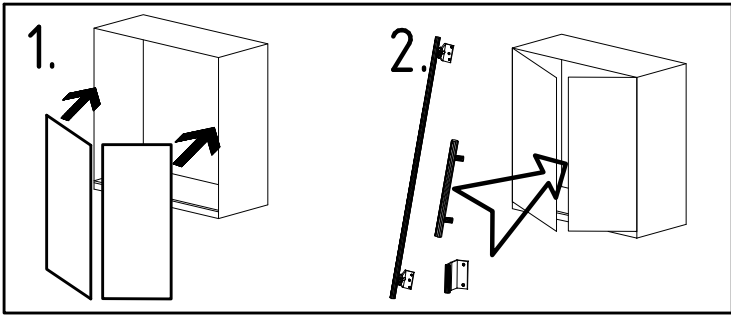
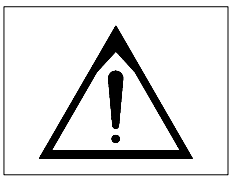


15

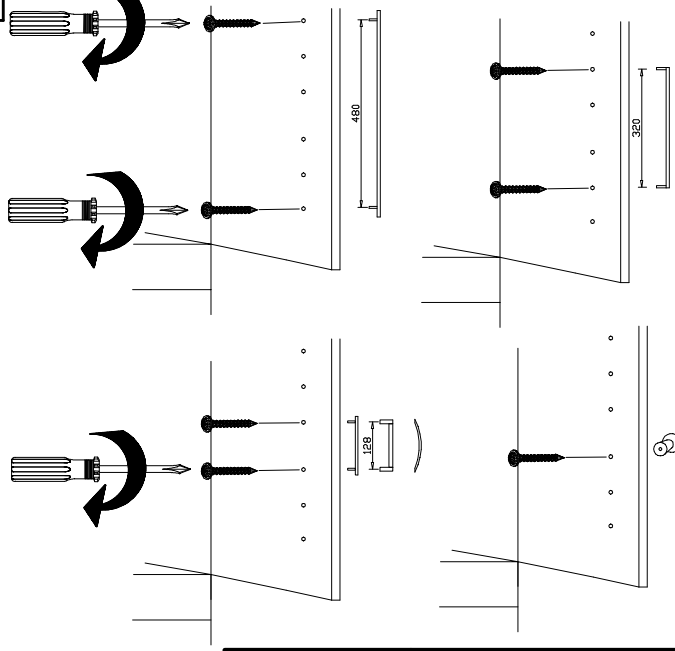
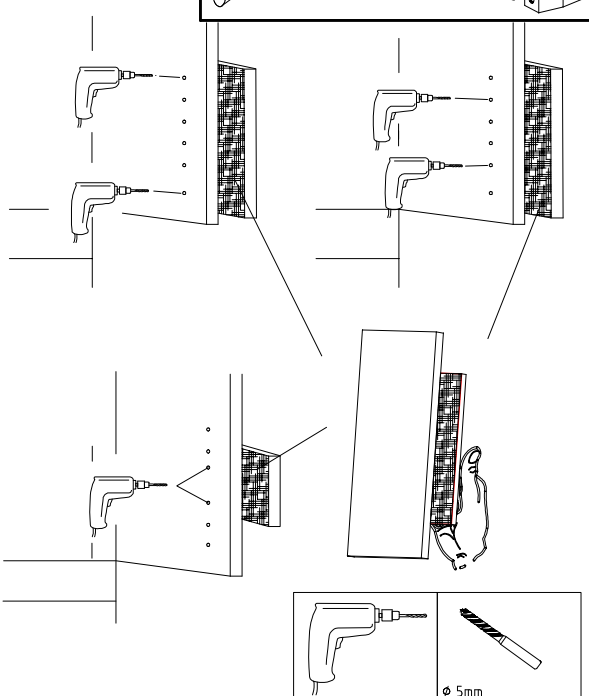
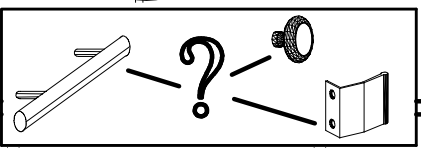
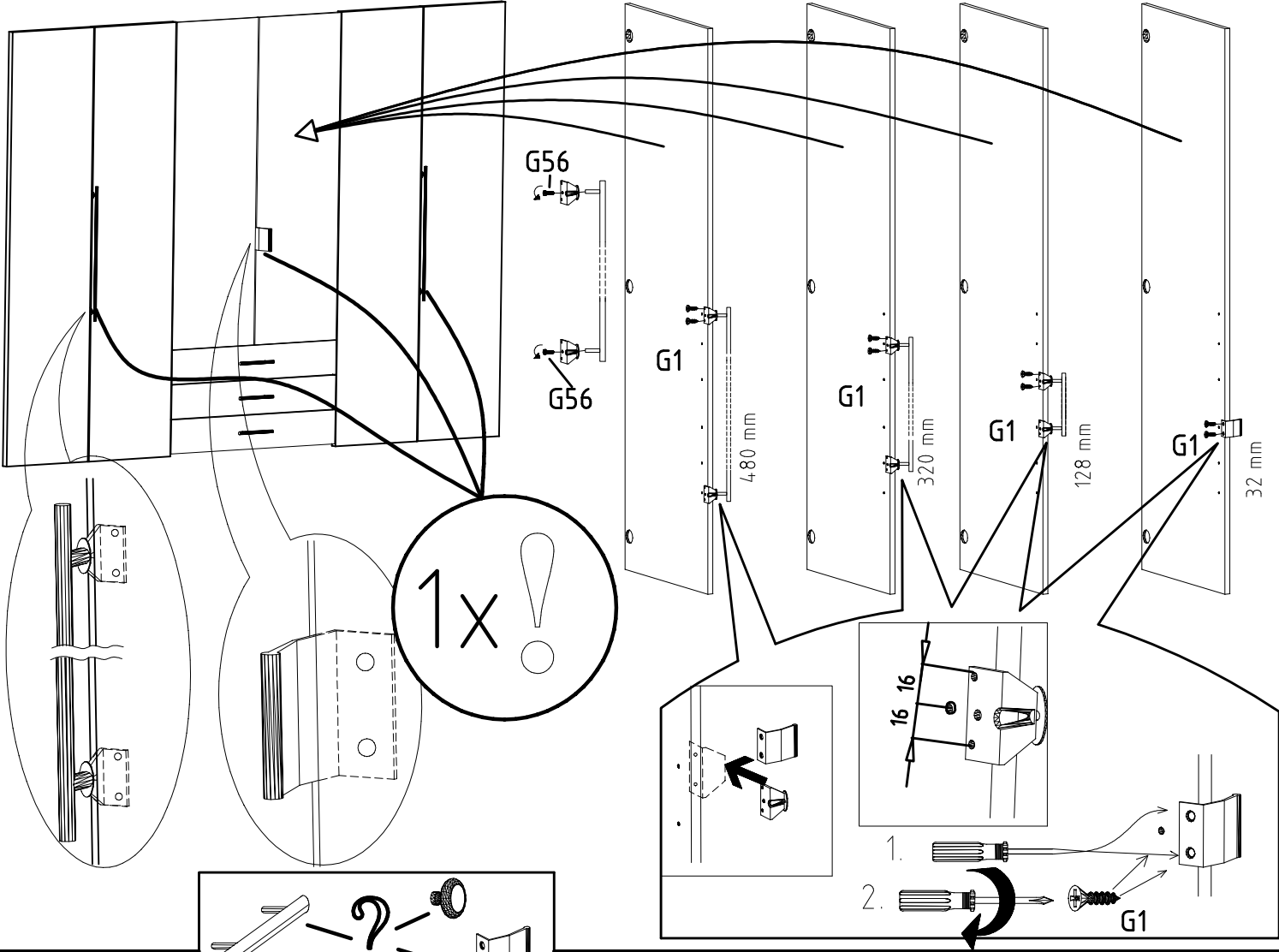




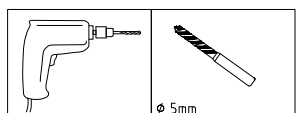




3,5 x 15 mm 121 370 	G1	4,0 x 12 mm 122 625 	G56
----------------------------	----	----------------------------	-----



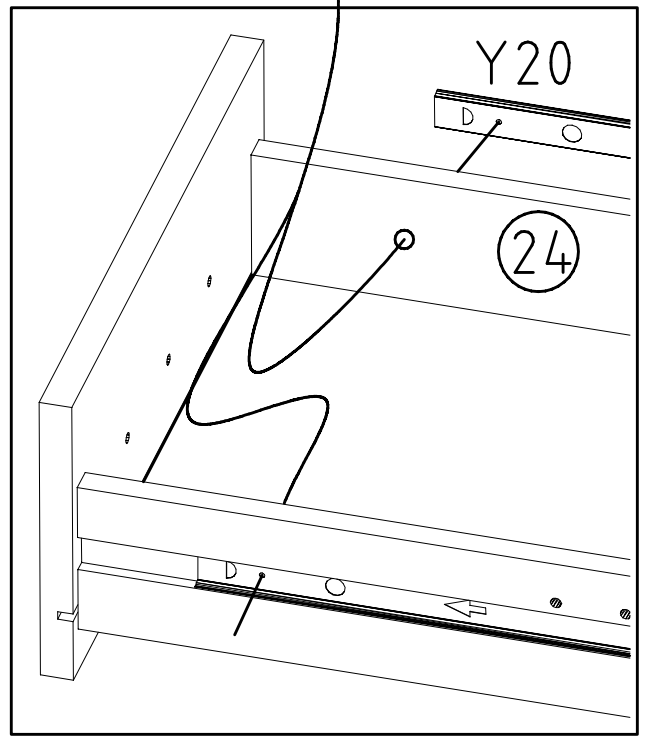
4 X 27mm 122620 4,0x22 G49
122 609



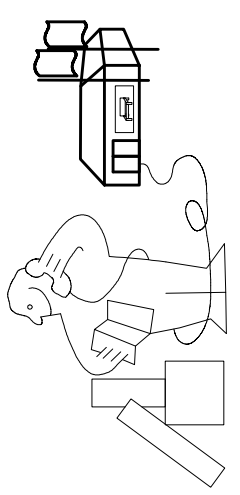
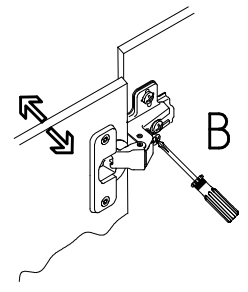
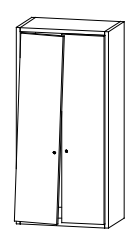
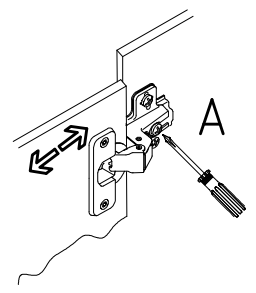
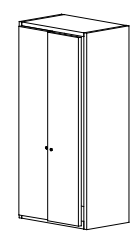
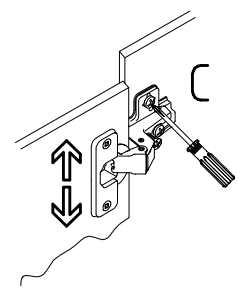
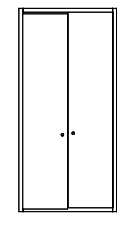
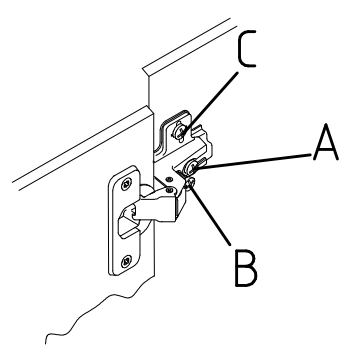
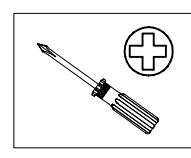
19

M4 x 9 mm G8
111 015

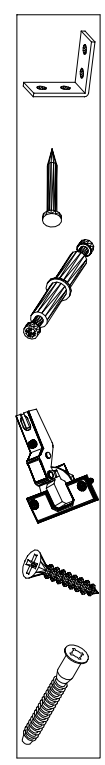
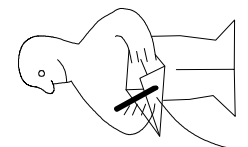
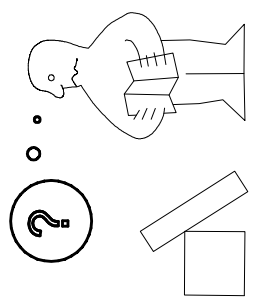
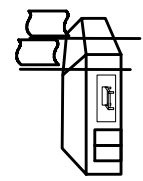
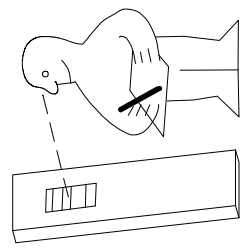
G8



20



Modell/Model/Modèle



(121 370)	(G 1)	(4x)				