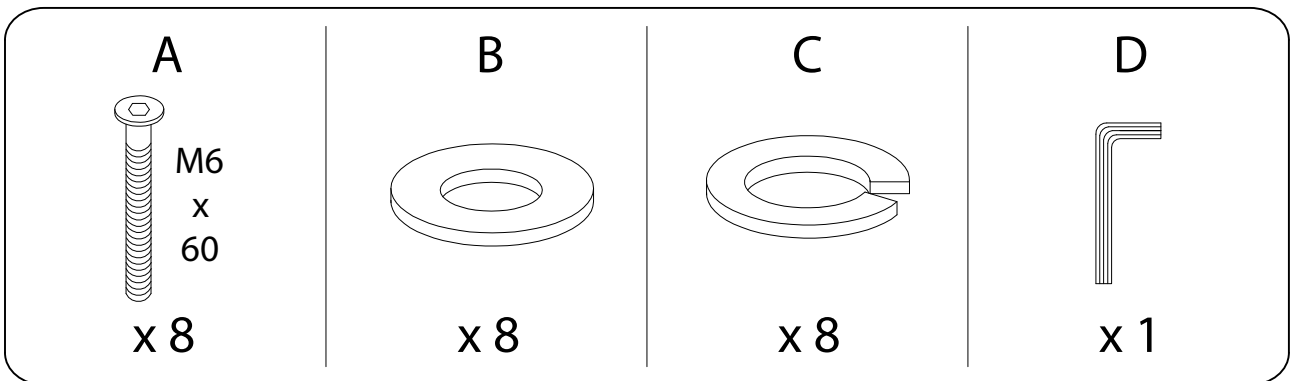
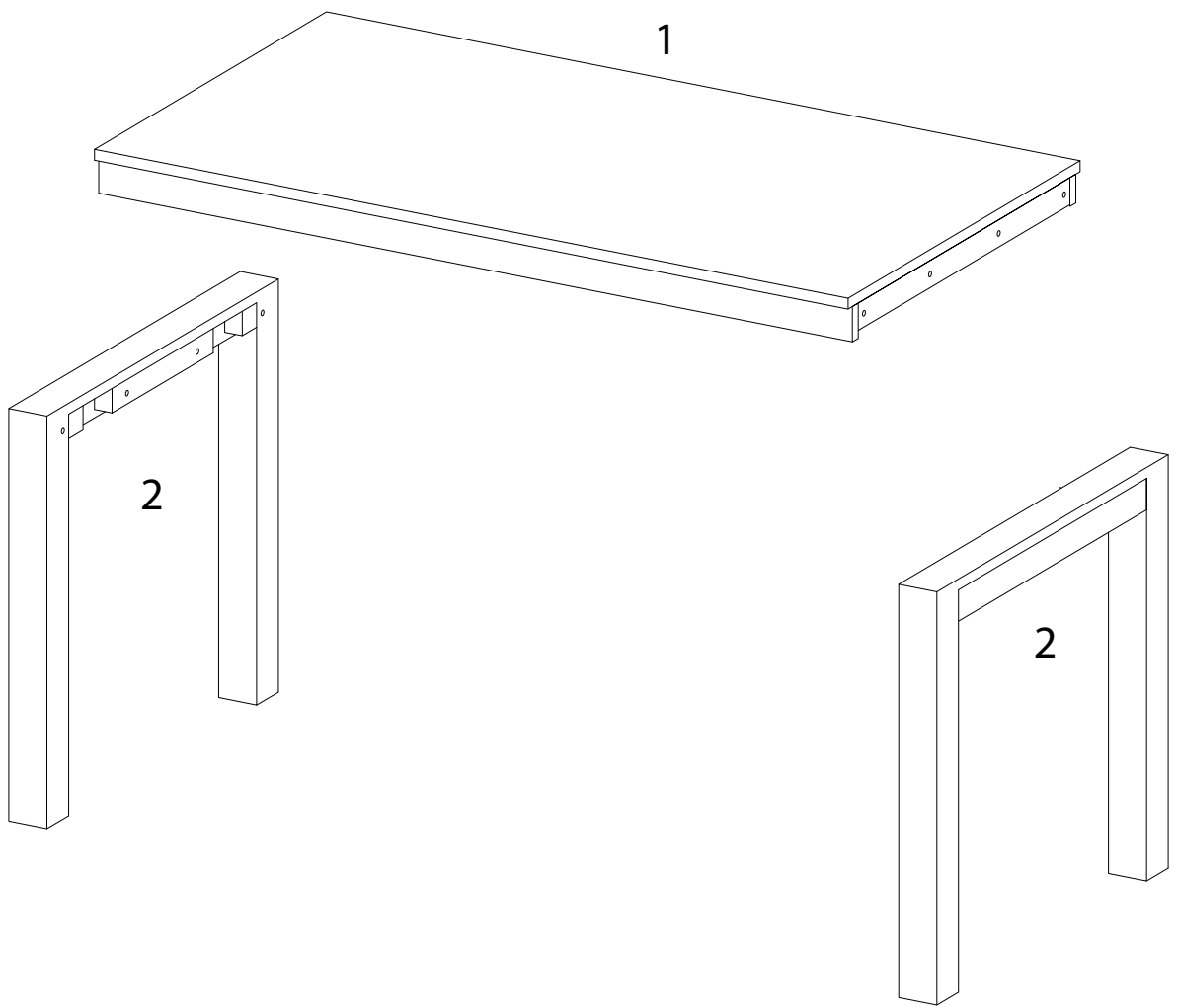
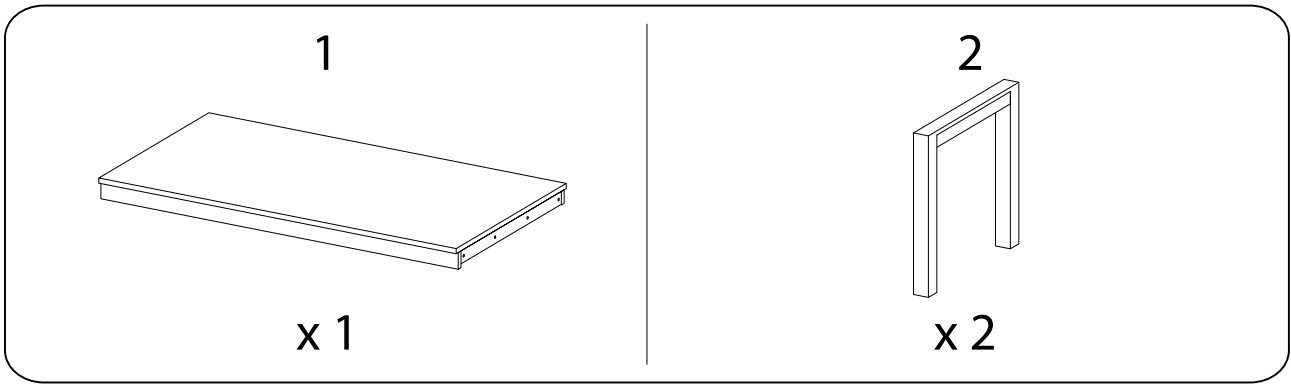
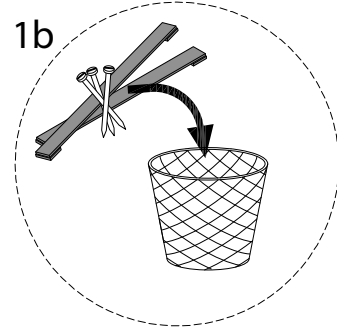
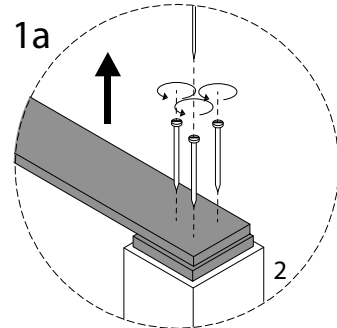
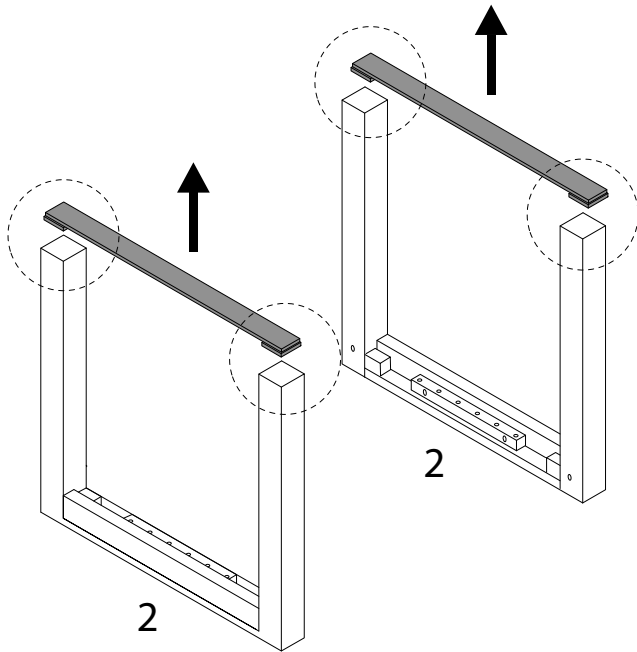

		20'
		2



!



2

<p>1 x 1</p>	<p>2 x 2</p>	<p>A M6 x 60 x 8</p>	<p>B x 8</p>	<p>C x 8</p>	<p>D x 1</p>
------------------	------------------	--------------------------------------	------------------	------------------	------------------

