








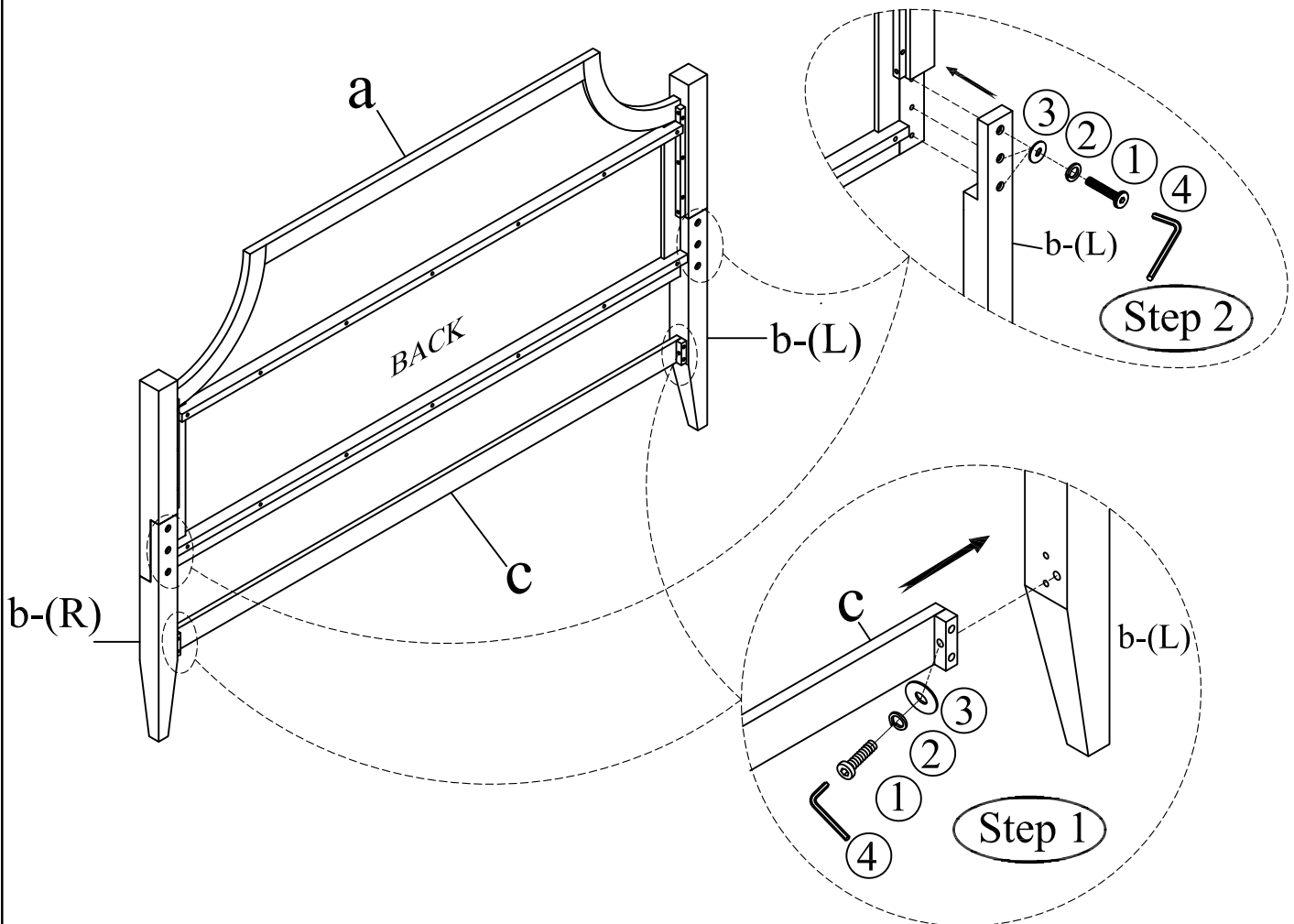


# ASSEMBLY INSTRUCTIONS

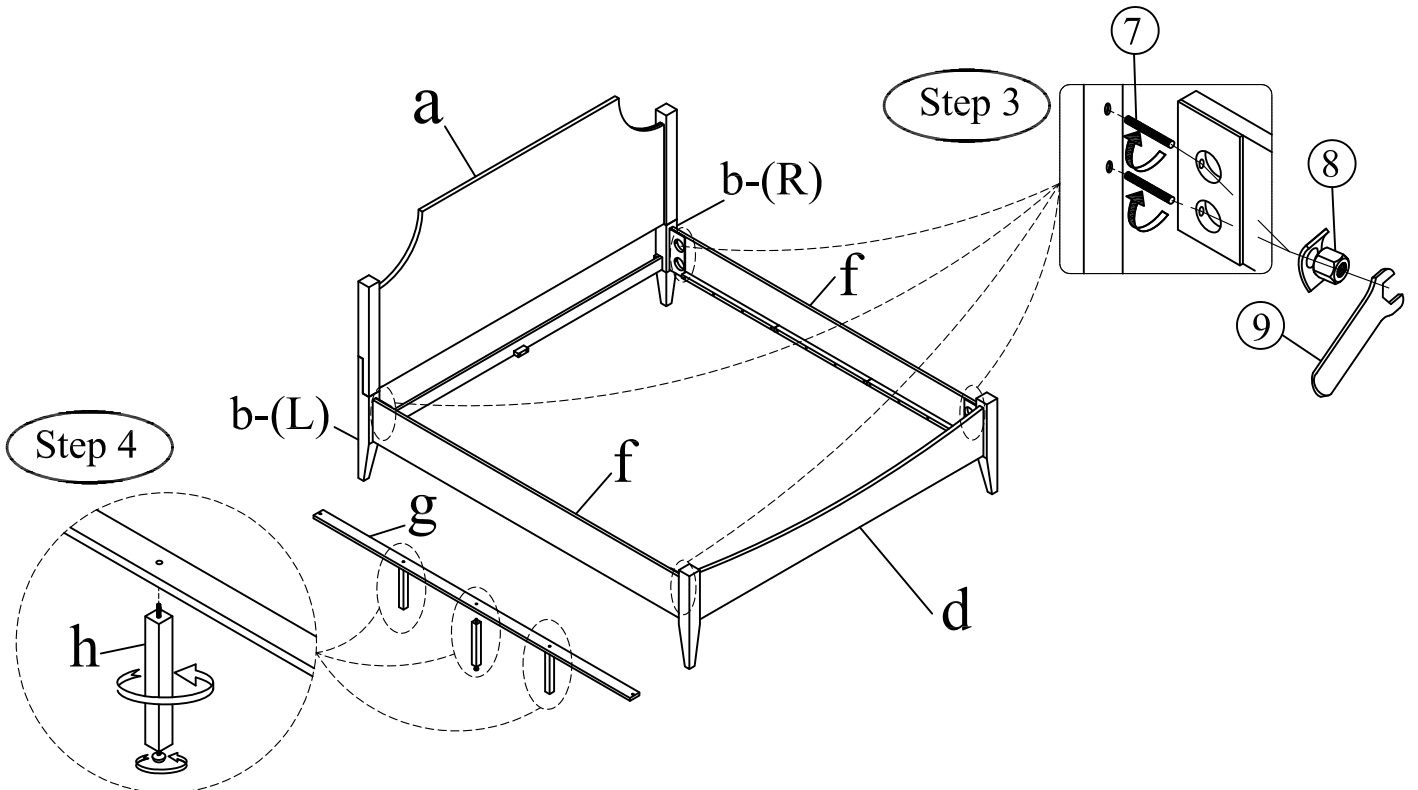
## KING BED

Carton #	Parts List		Q'ty	Hardware
1	a	HEADBOARD PANEL	1pc	1. BOLT 5/16"x45mm  x 8pcs
	b	HEADBOARD LEG (L=1,R=1)	2pcs	2. SPRING WASHER 5/16"  x 8pcs
	c	CROSS BAR	1pc	3. FLAT WASHER 5/16"  x 8pcs
				4. ALLEN KEY 4mm  x 1pc
2	d	FOOTBOARD	1pc	5. SCREWS/VIS #4x32  x 26pcs
	e	ROLLING SLAT	12pcs	6. NOT PROVIDED 
3	f	SIDE RAIL	2pcs	7. THREAD BOLT 5/16"x90mm  x 8pcs
	g	CENTER RAIL	1pc	8. HEX NUT 5/16"  x 8pcs
	h	SUPPORT LEG FOR SLAT	3pcs	9. WRENCH 5/16"  x 1pc

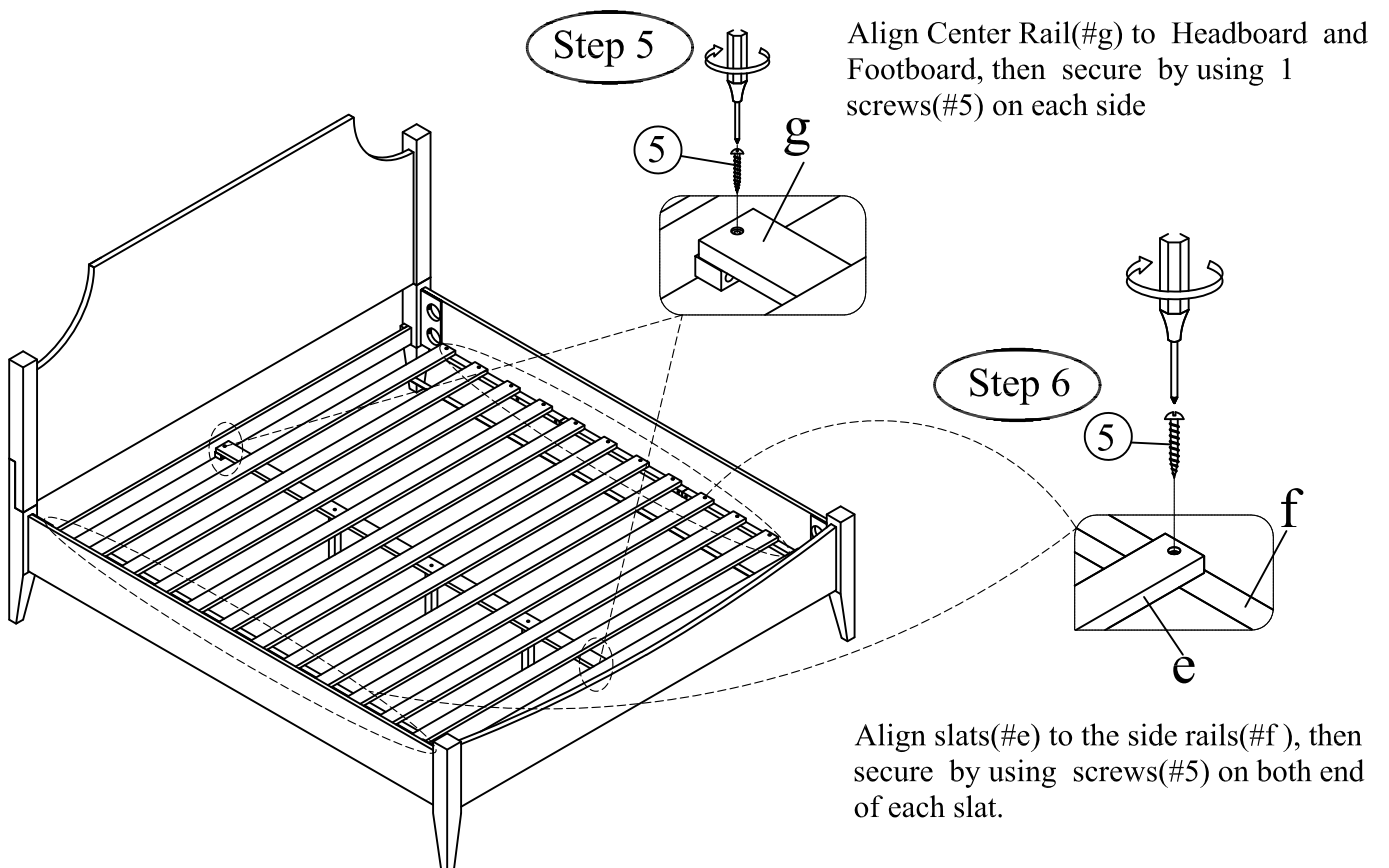


# ASSEMBLY INSTRUCTIONS

## KING BED



Attach support legs(#h) to the center rail (#g)



Align Center Rail(#g) to Headboard and Footboard, then secure by using 1 screws(#5) on each side

Align slats(#e) to the side rails(#f), then secure by using screws(#5) on both end of each slat.