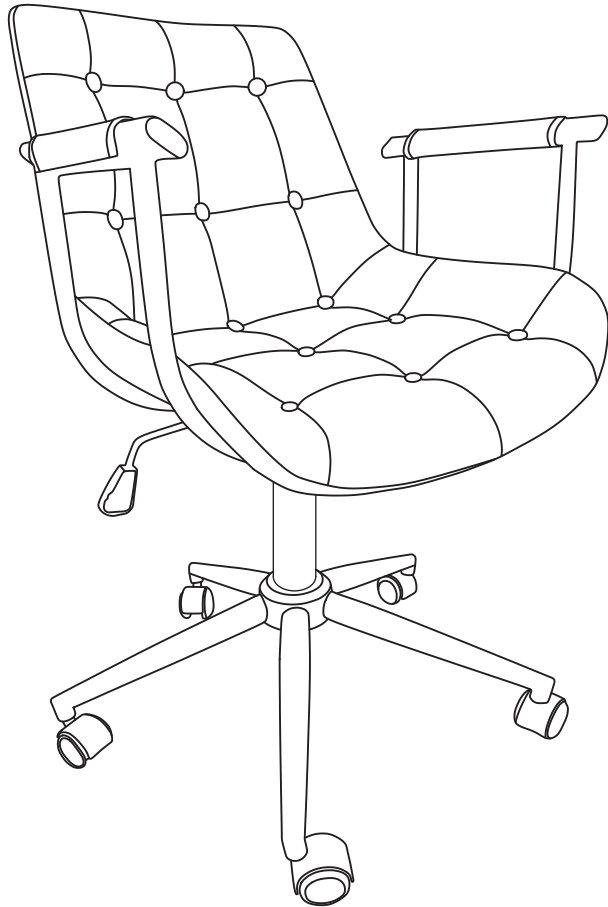


Installation & Assembly




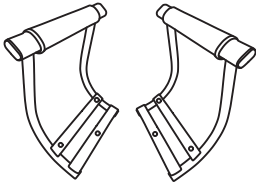
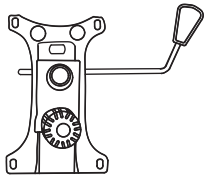
If you receive a product with missing or damaged parts, or if you have any questions about our product Please Contact us




(we will reply to you within 24 hours)

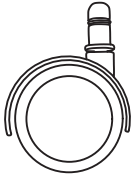
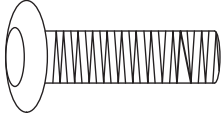

IMPORTANT NOTICE:

1. After opening the package, please check the parts for missing or damaged, if missing or damaged, please contact us
2. Please follow the steps and operation instructions specified in the product manual to assemble in order to avoid assembly errors and waste your time.
3. Do not use over weight to avoid structural deformation caused by unilateral force.
4. Avoid contact with sharp objects or corrosive liquids to prevent surface damage.
5. Check the screws at the joint every 3 months to see if they are loose.

PARTS LIST

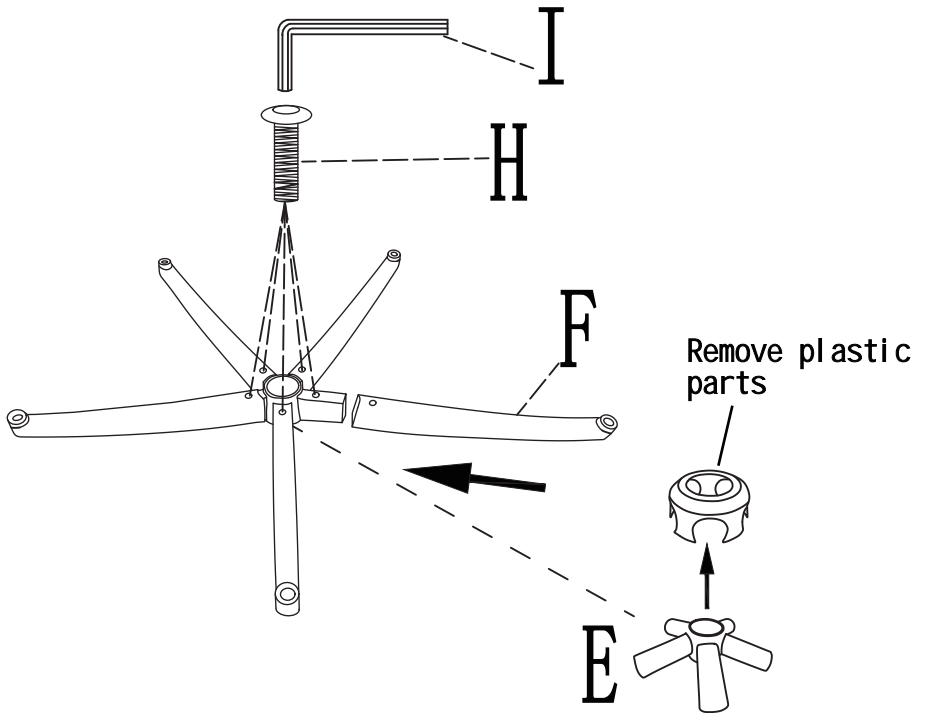
A x 1	B x 2	C x 1
		

D x 1	E x 1	F x 5
		

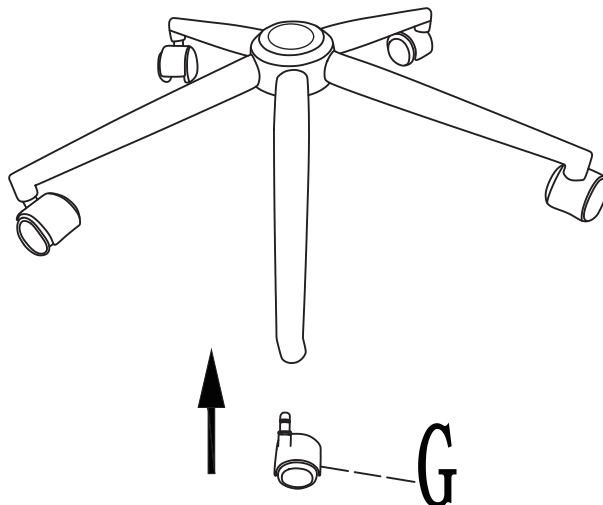
G x 5	H x 15	I x 1
	 M6 x 20mm	

INSTALLATION LIST

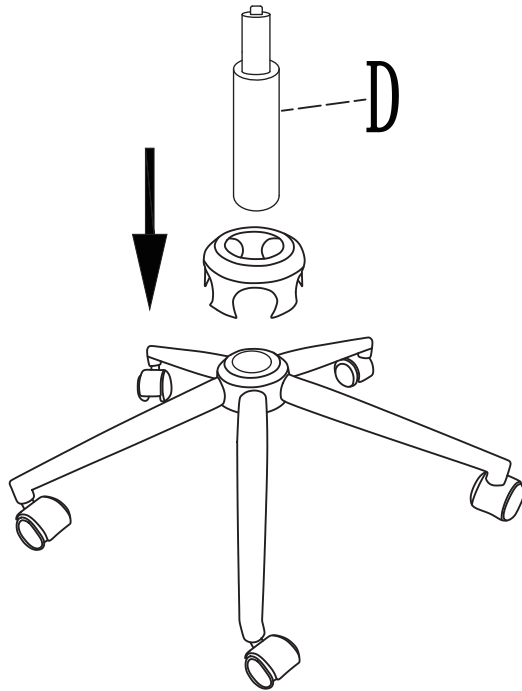
1.



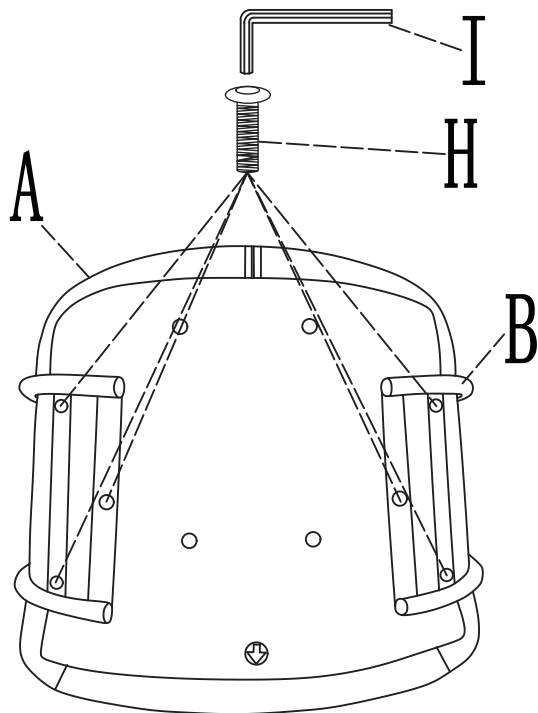
2.



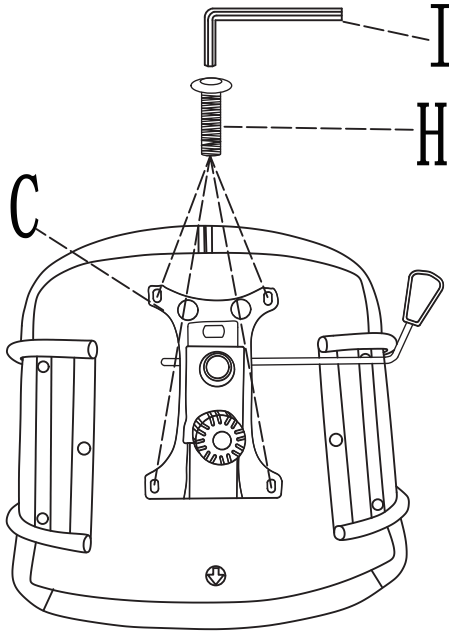
3.



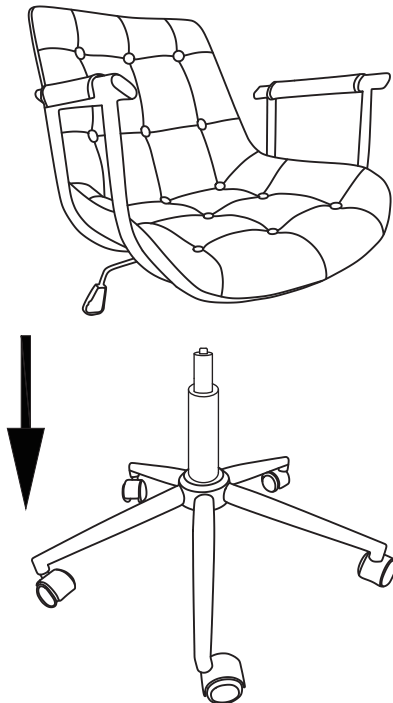
4.



5.



6.



7.

