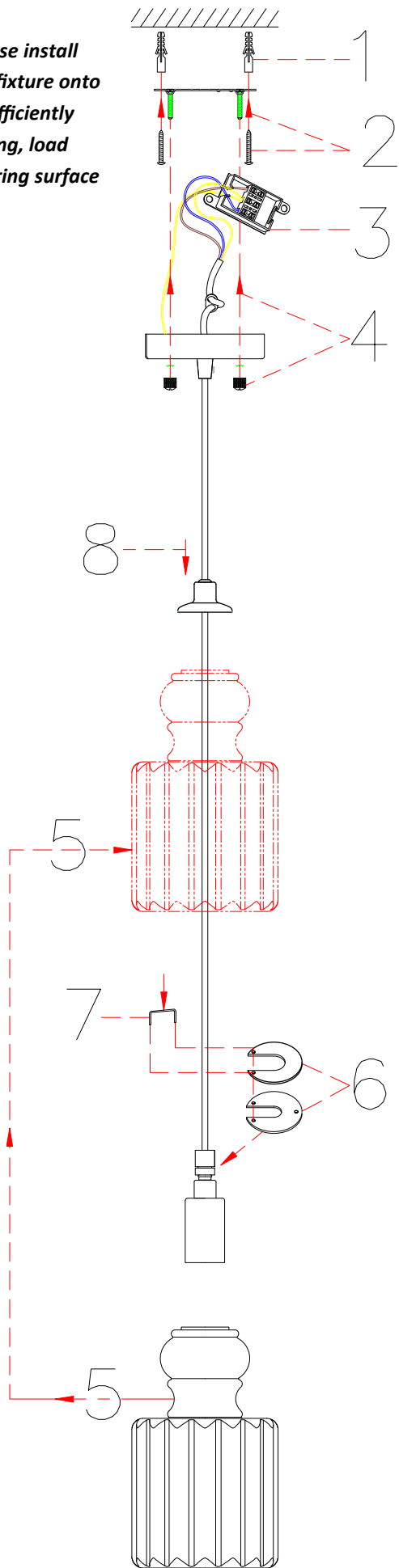


**Please install the fixture onto a sufficiently strong, load bearing surface**



**1-4: (See wiring instructions on the back page)**

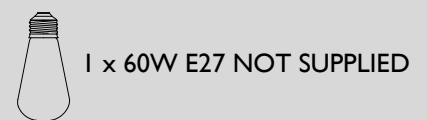
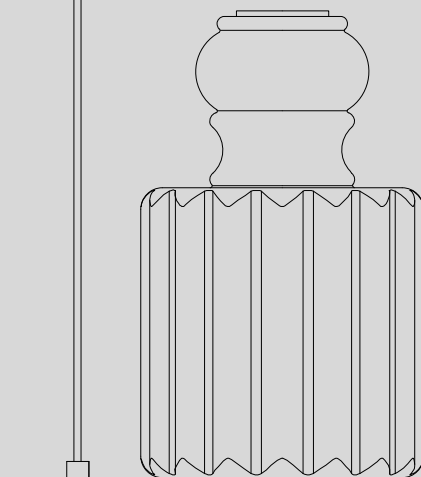
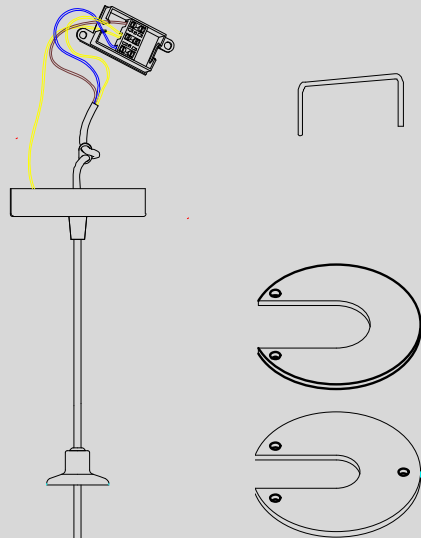
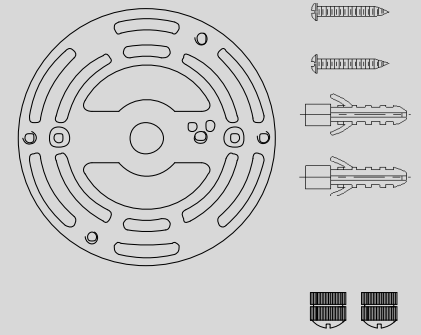
Screw fixing bracket to the ceiling, wire the terminal block, and secure canopy to the bracket with fixing nuts.

**5:** Slide the glass shade up the cord, above the lamp holder assembly.

**6:** Slide two spacers into slot above lamp holder as pictured.

**7:** Use locking pin to secure washers and prevent them from becoming dislodged.

**8:** Slide the glass shade and decorative cap back down the cord, towards lamp holder until glass shade is resting on the secured spacers.




**IT IS RECOMMENDED THAT LIGHTS ARE INSTALLED BY A QUALIFIED ELECTRICIAN**

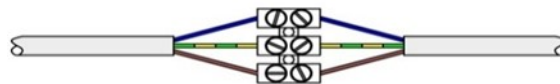
Before starting the electrical work or connecting your light you will need to switch off your power supply at the fuse box (consumer unit). Either the miniature circuit breaker (MCB) can be turned off for the circuit for your light and applying RED insulating tape over the MCB to prevent it from being accidentally turned on. Or the main switch can be turned off, the circuit fuse removed, and the main switch turned on again to restore power to the rest of the house.

GREEN/YELLOW	Earth	
BROWN	Live	
BLUE	Neutral	
BLUE with brown sleeving	Switch wire with sleeving	

Live wires can also sometimes be signified by a RED wire 

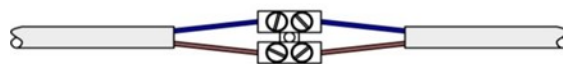
Neutral wires can also sometimes be signified by a white or black wire 

CLASS I Luminaires (Earthed) - Connect the brown wire from the luminaire to the supply live wire (red or brown). Connect the blue wire to the supply neutral wire (black or blue). Connect the green/yellow wire to the supply earth wire (green/yellow) or connect the supply earth to the luminaire earth terminal marked: 



CLASS II Luminaires (Not earthed) - These luminaires are double insulated and have the symbol: 

These fittings do not have to be connected to the supply earth. Make sure that the basic insulation of the supply wiring cannot contact touchable metal. Connect the brown wire from the luminaire to the supply live wire (red or brown). Connect the blue wire to the supply neutral wire (black or blue). Isolate the supply earth wire.



### Recycling



Please try to recycle electrical products and components. Check with Local Authority or Retailer for recycling advice.

**IT IS RECOMMENDED THAT LIGHTS ARE INSTALLED BY A QUALIFIED ELECTRICIAN**