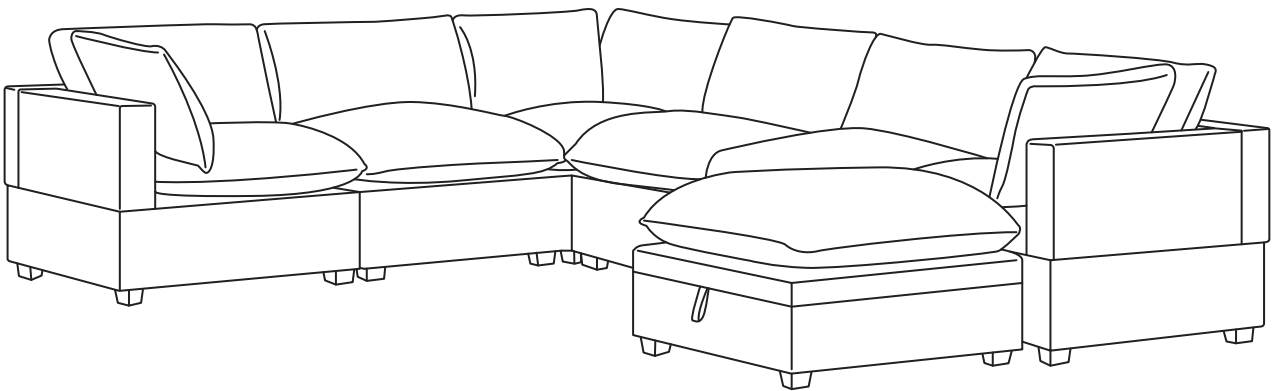


ASSEMBLY INSTRUCTION

WF321353AAG
WF321354AAG
WF321355AAG



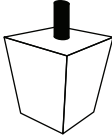
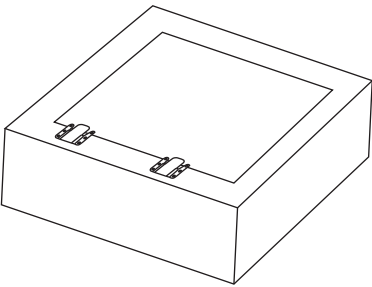
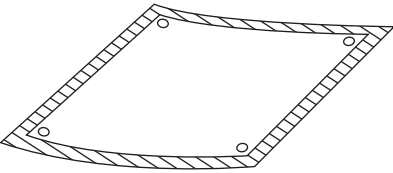
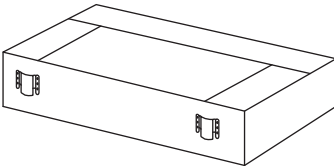
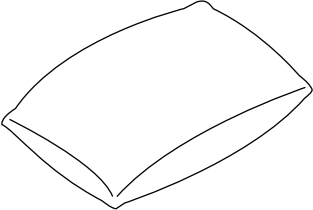
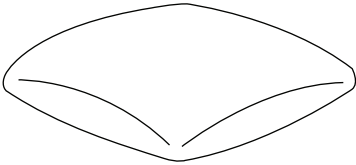
Return & Warranty policy:

--We strive to offer the highest quality products, and we also try our best to satisfy each and every customer that orders from us with replacement parts or service as needed.

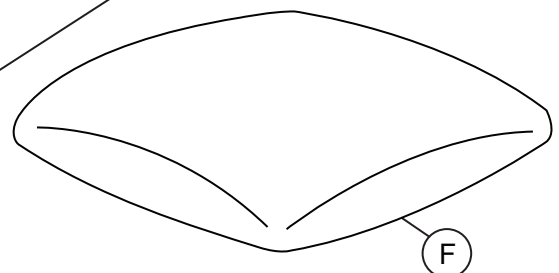
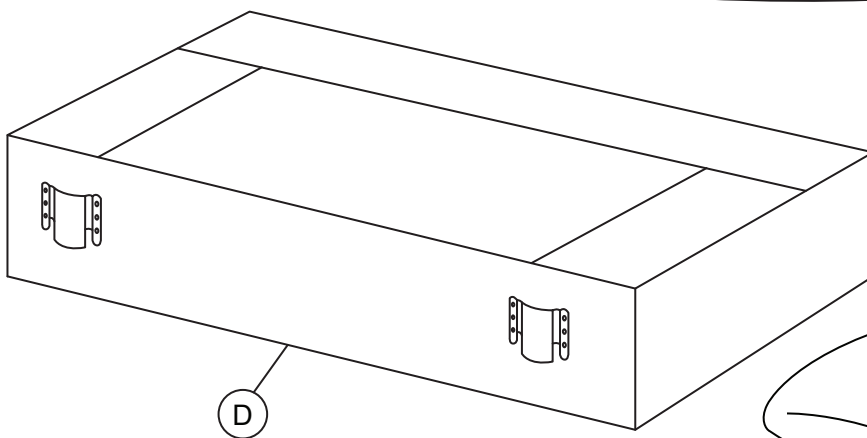
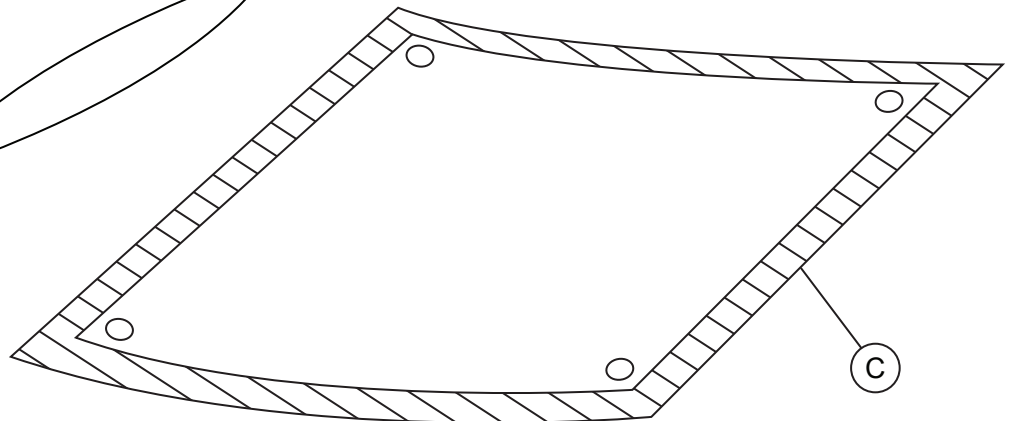
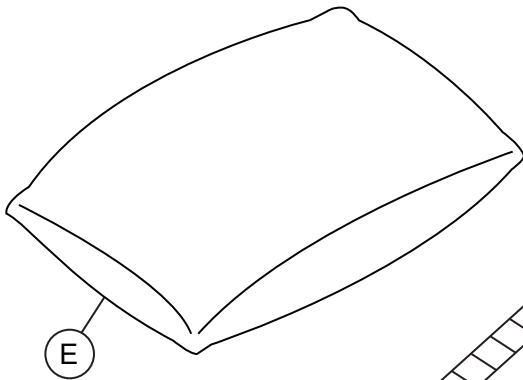
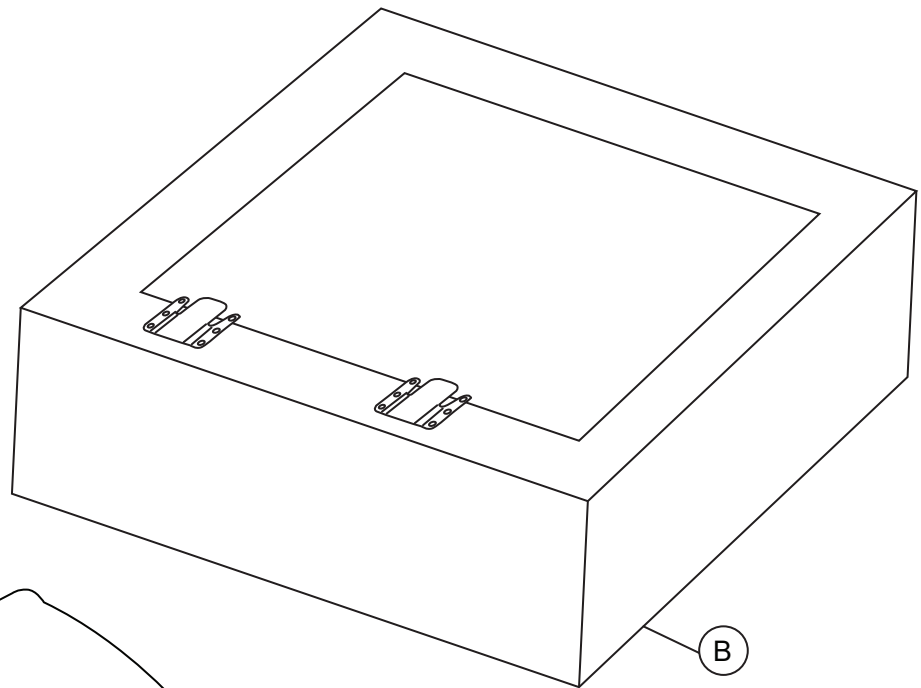
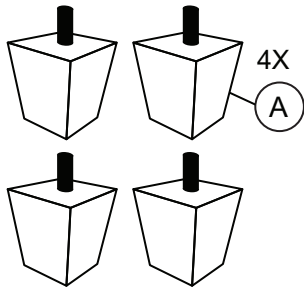
--If the item is damaged or defective, please take photos as evidence for replacements and refunds.

--Please do not return to store, contact the seller if you have any troubles with this product.

ASSEMBLY INSTRUCTION

PARTS LIST - WF321353AAG / WF321354AAG / WF321355AAG			
NO	DESCRIPTION	SKETCH	QTY
A	LEG		4 PCS
B	SEAT BASE		1 PC
C	BLACK WOVEN FABRIC		1 PC
D	ARM REST		1 PC
E	PILLOW		1 PC
F	SEAT CUSHION		1 PC

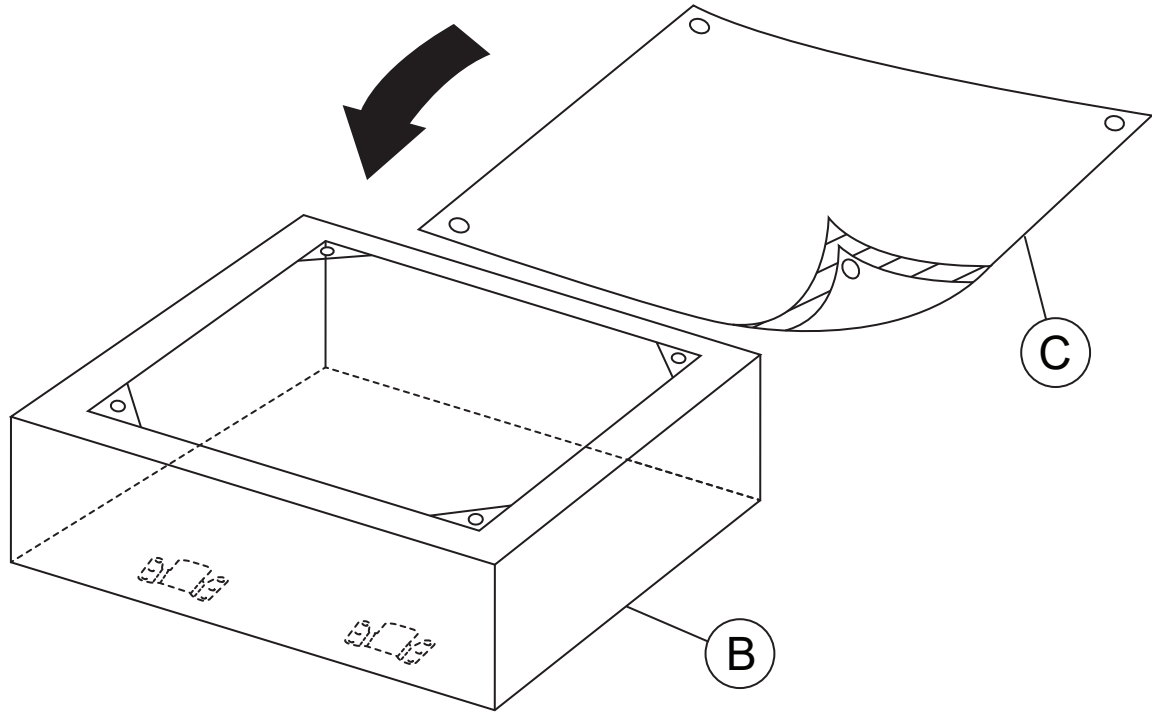
ASSEMBLY INSTRUCTION



ASSEMBLY INSTRUCTION

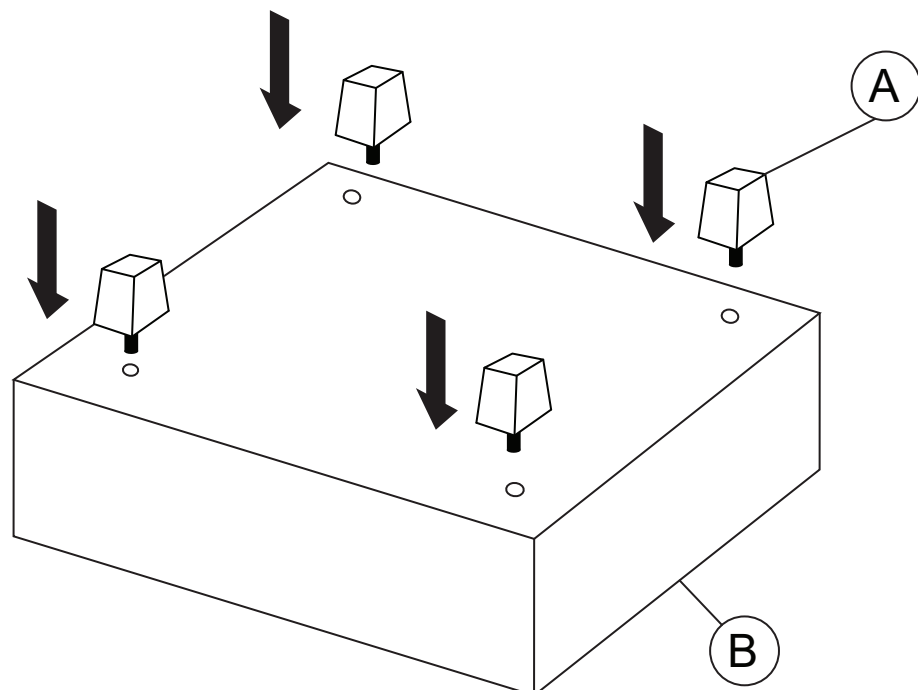
STEP 1.

Attach Black Woven Fabric (Part C) to Seat Base (Part B) with Velcro.



STEP 2.

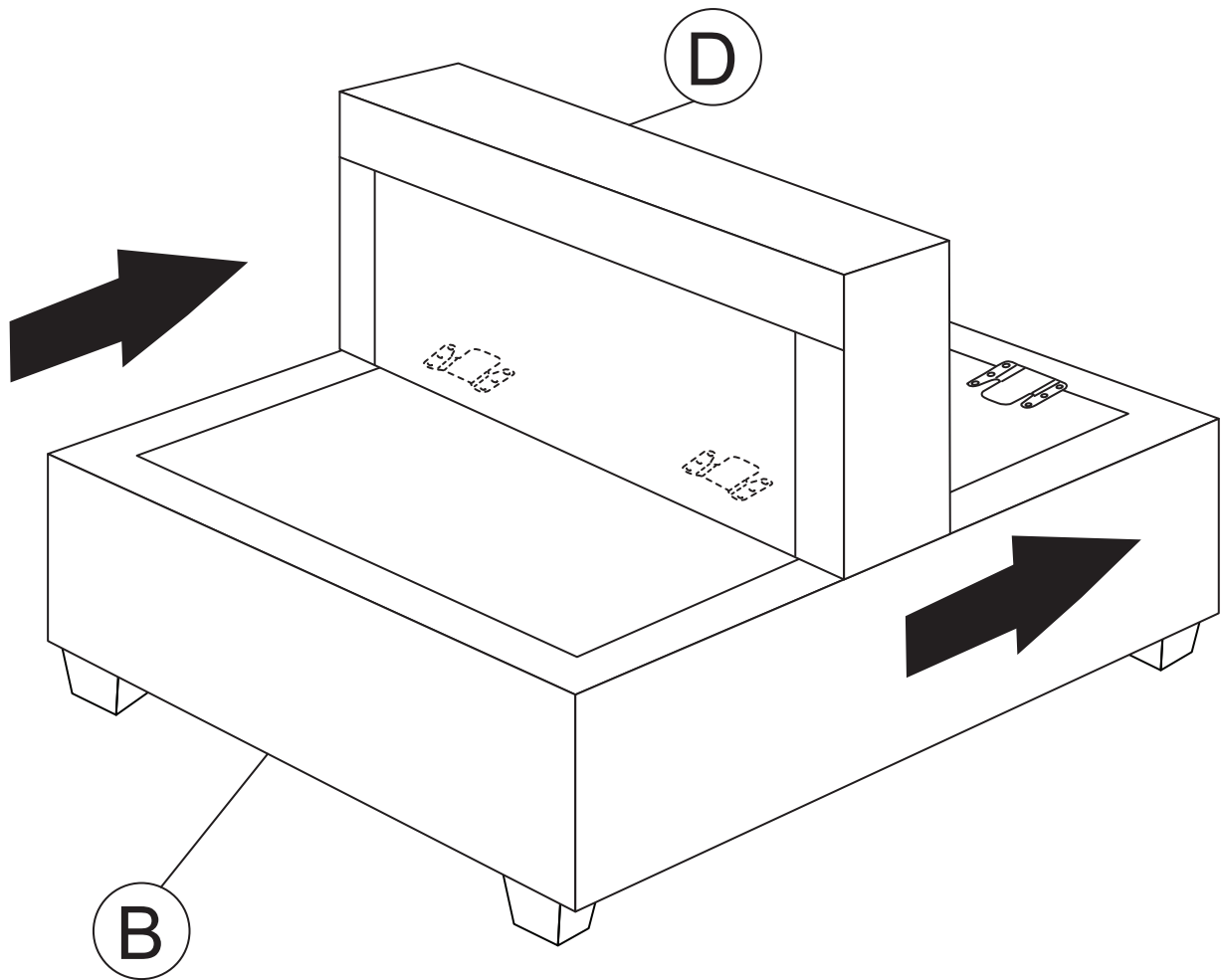
Attach Leg (Part A)(4pcs) to the bottom of the Seat Base (Part B).



ASSEMBLY INSTRUCTION

STEP 3.

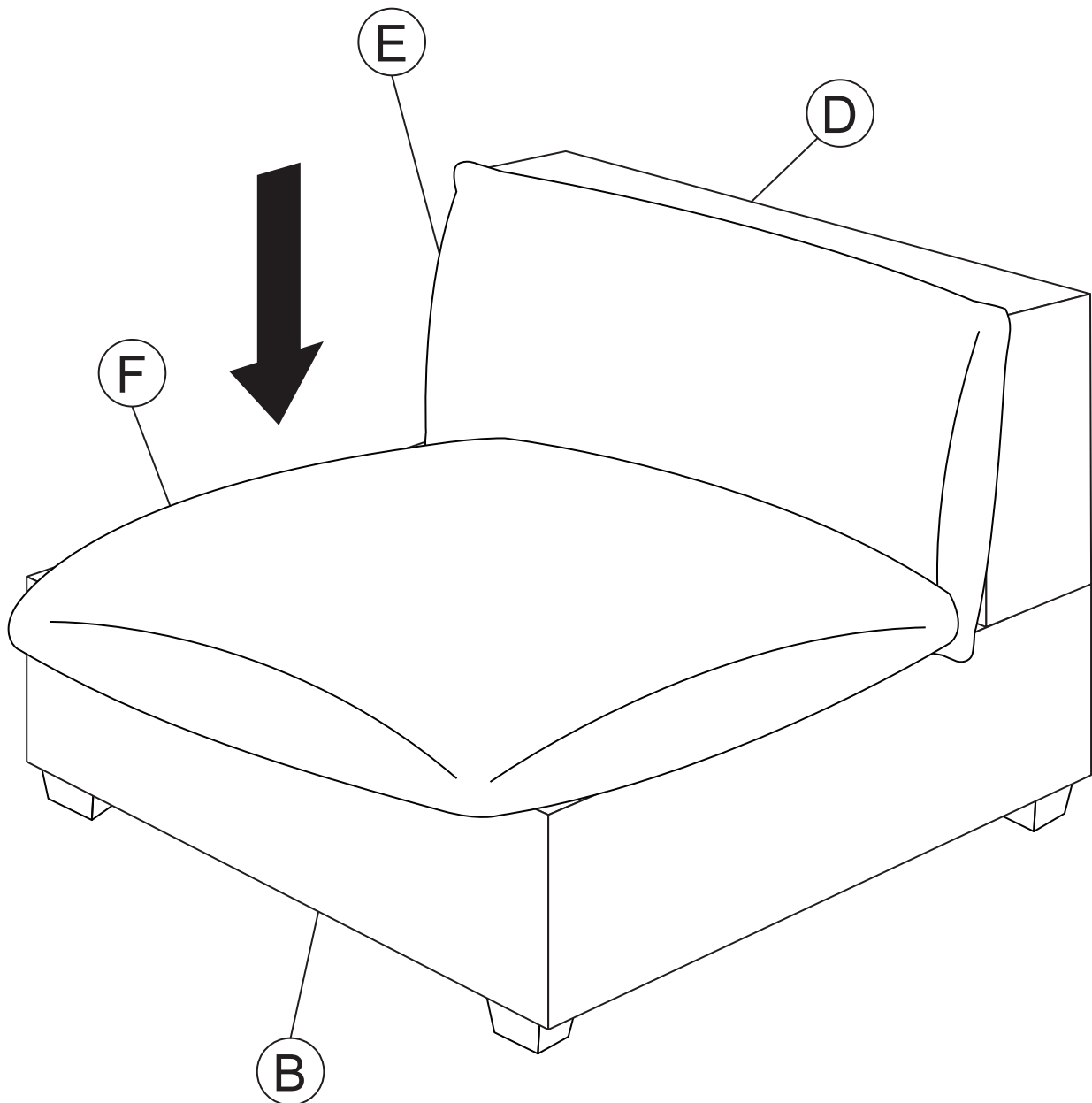
Hook on the Back Rest (Part D) to the Seat Base (Part B) securely.

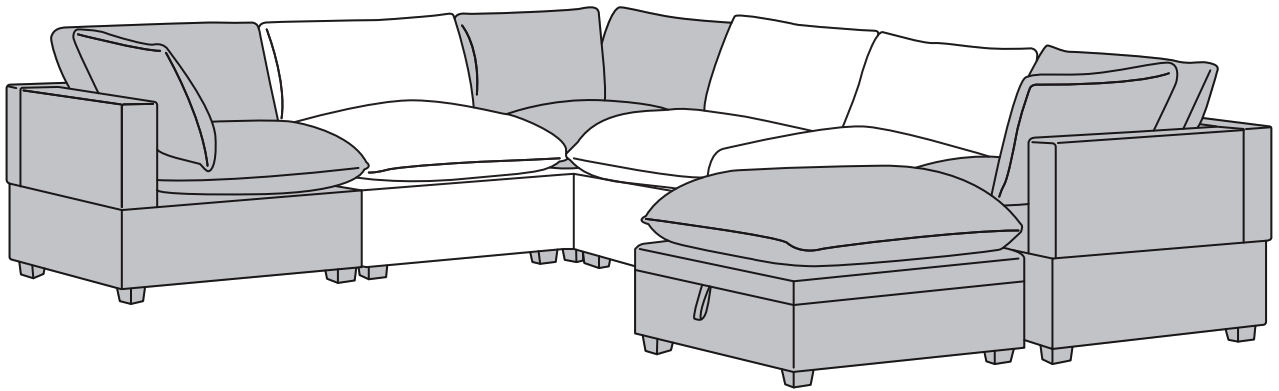


ASSEMBLY INSTRUCTION

STEP 4.

Put on the Pillow (Part E) and the Seat Cushion (Part F) on the Seat Base (Part B).





COMPLETE