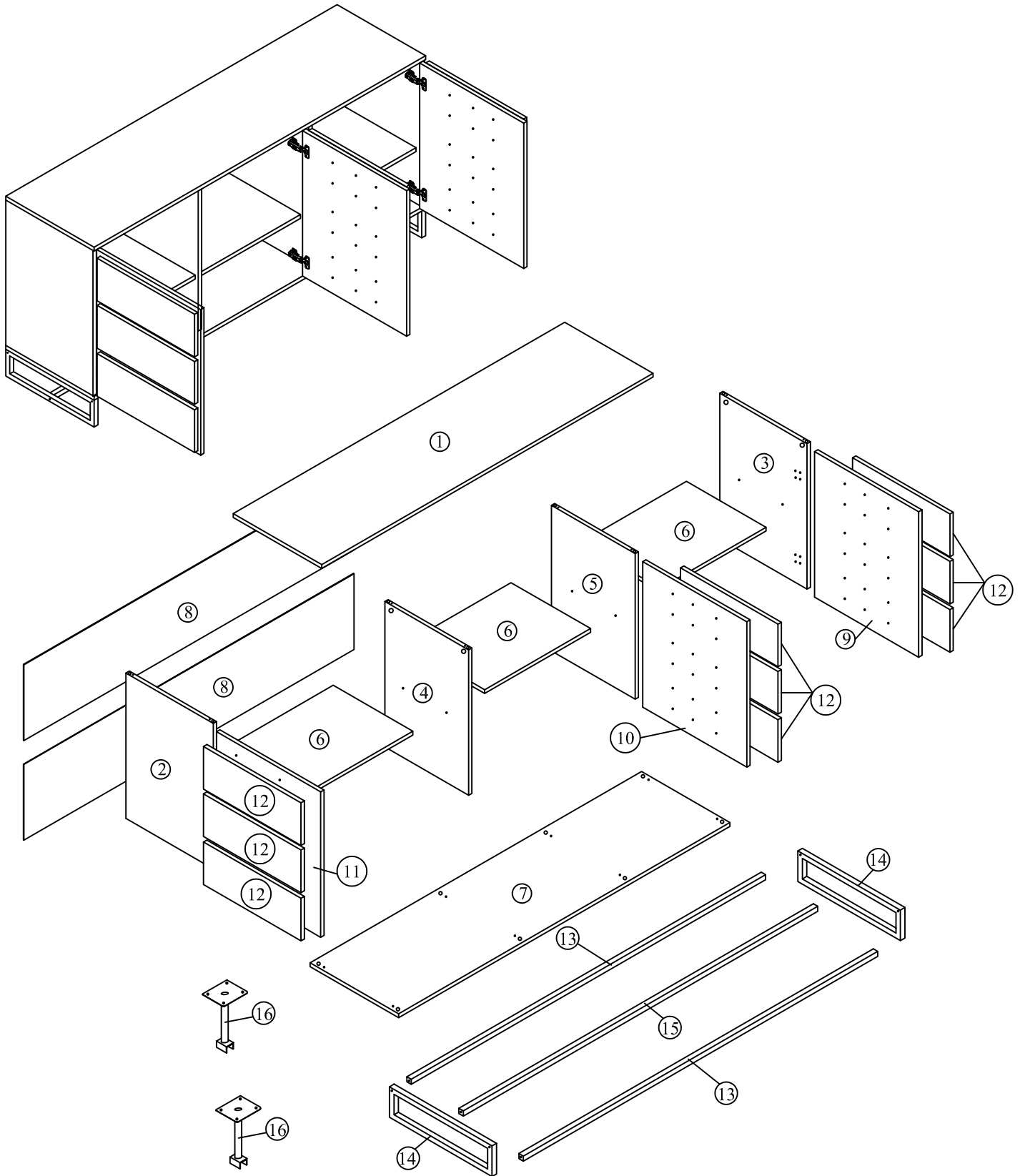
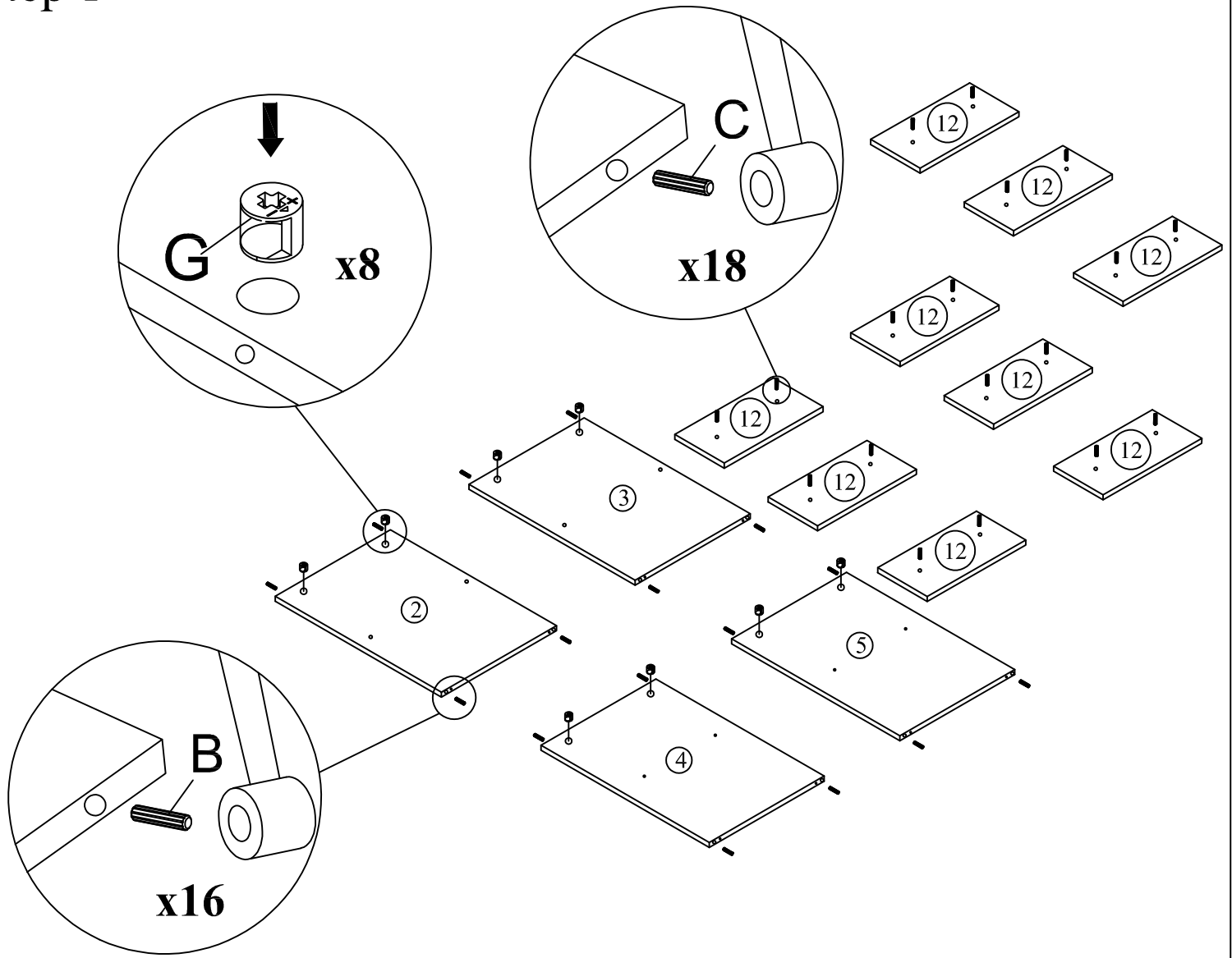


Assembly Instructions

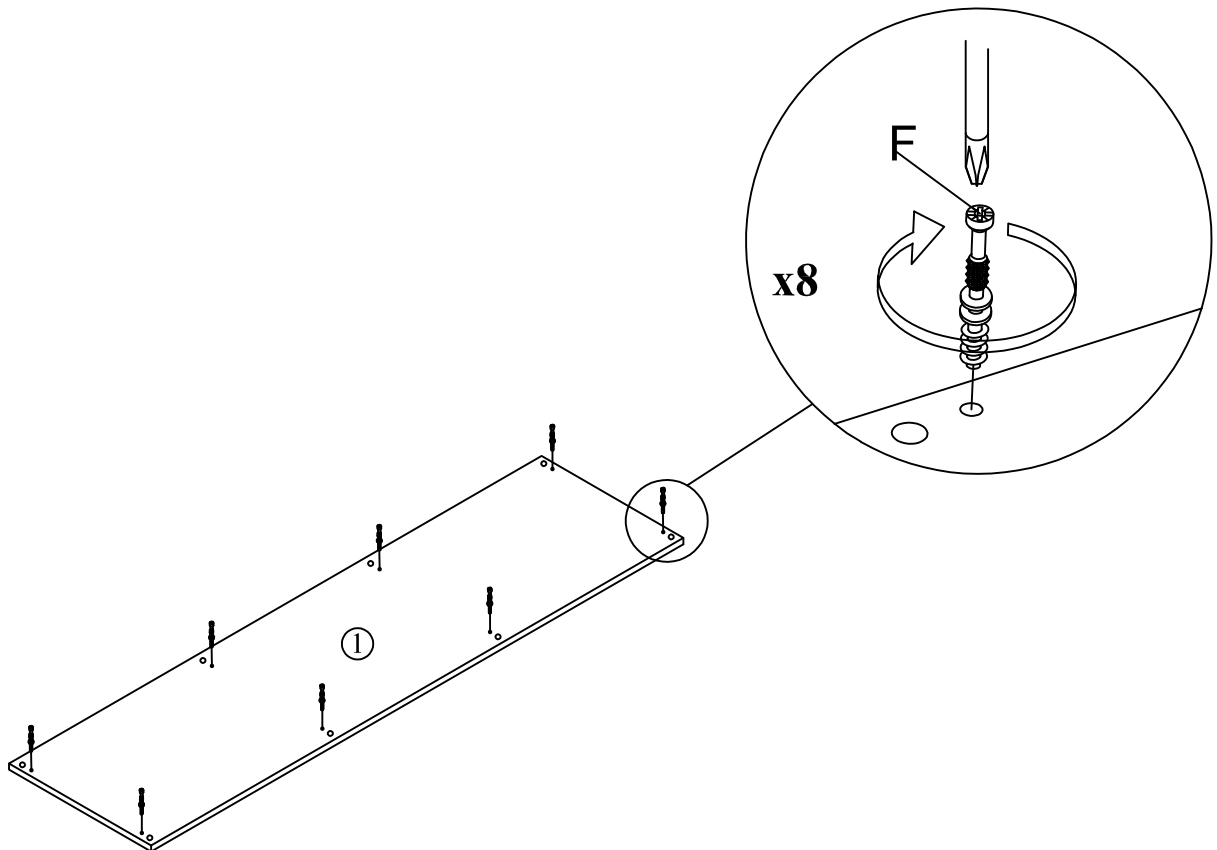
Part List		QTY	Part List		QTY	Hardware		QTY	Hardware		QTY
1	Top Panel	1	9	Right Door Panel	1	A	Allen Key M4	1	I	CSK Screw M4x30mm	54
2	Left Side Panel	1	10	Middle Door Panel	1	B	Plastic Dowel	16	J	CSK Screw M3.5x16mm	56
3	Right Side Panel	1	11	Left Door Panel	1	C	Wood Dowel	18	K	CSK Screw M4x32mm	6
4	Middle Panel	1	12	Door Support Panel	9	D	JCBC W Screw M6x40	8	L	Shell Support Metal	12
5	Middle Panel	1	13	Metal Support Legs	2	E	JCBC Screw M6x50 Spring+Flat Washer	6	M	Power Nail 5/8	72
6	Middle Support Panel	3	14	Metal Frame Legs	2	F	Mini Fix Bolt	8	N	5/8 Hinge	6
7	Bottom Panel	1	15	Metal Center Legs	1	G	Mini Fix Housing	8	O	Door Spring	3
8	Back Panel	2	16	Metal Support Legs	2	H	Mini Fix Cap	8	P	Magnet Spring	3



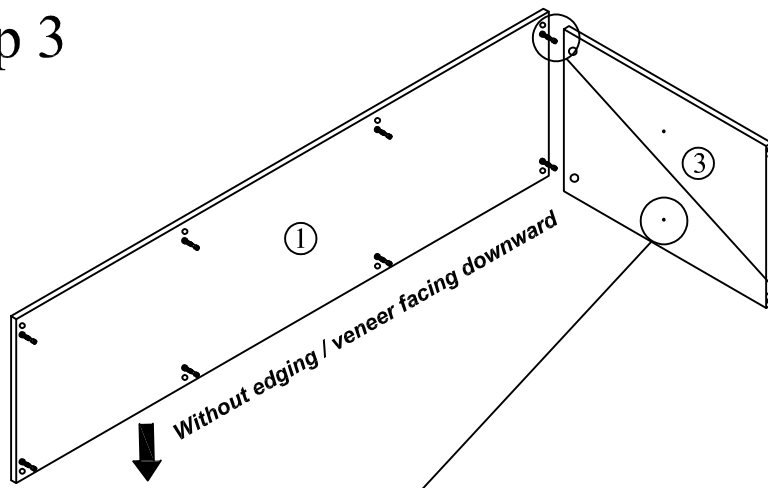
Step 1



Step 2

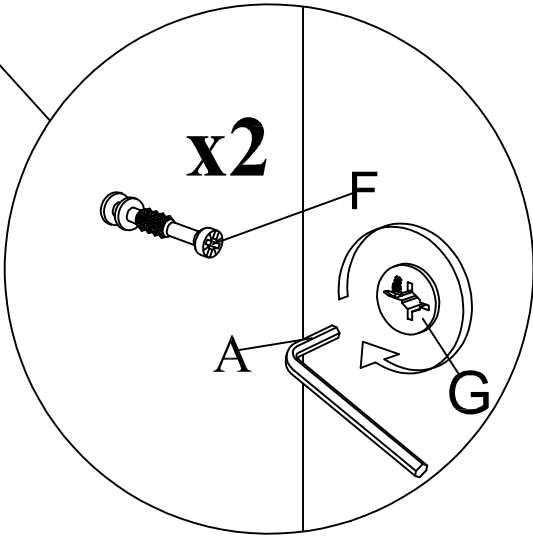
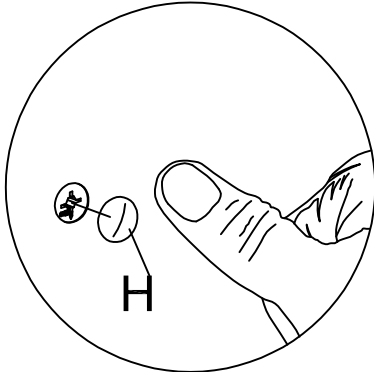
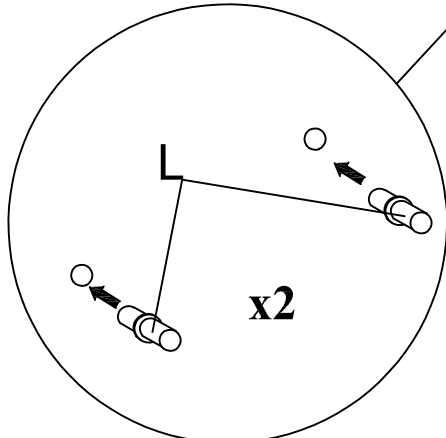


Step 3



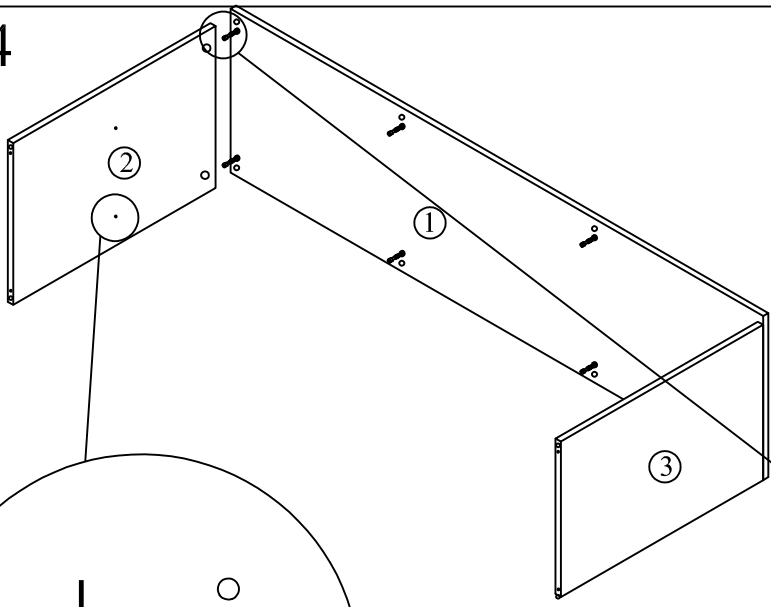
This is how a mini fix works...

The head of the mini fix housing goes into the open mouth of the mini fix bolt. You then turn the mini fix housing so it tightens over the mini fix bolt.



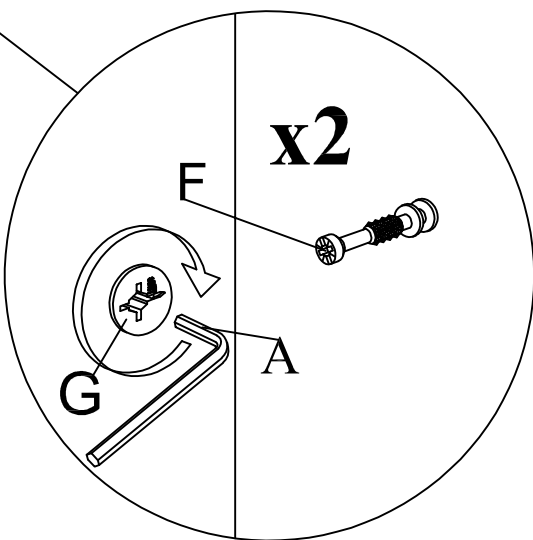
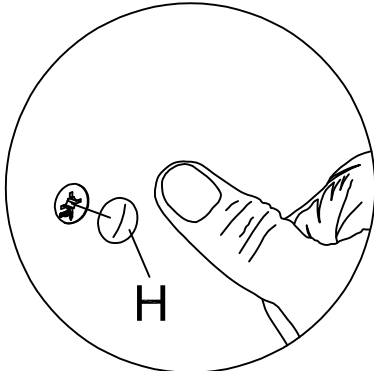
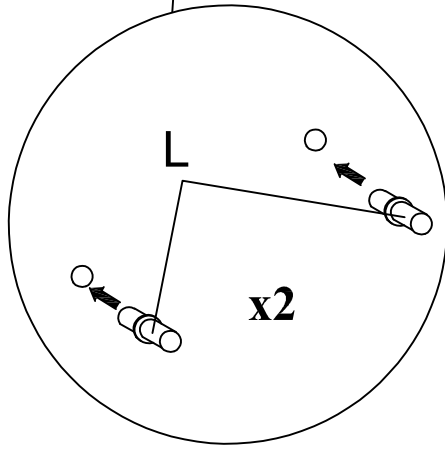
**Attach Minifix Cap as shown.*

Step 4



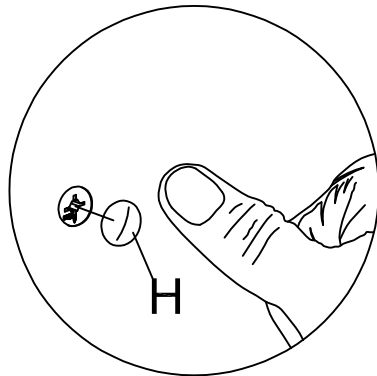
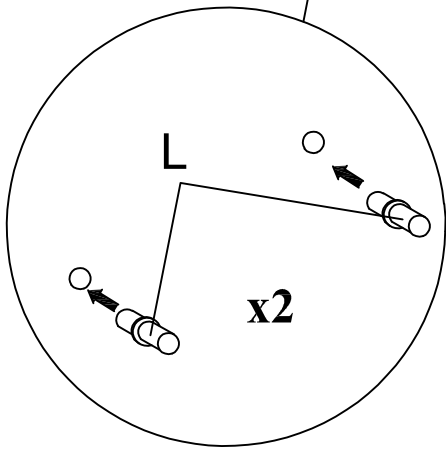
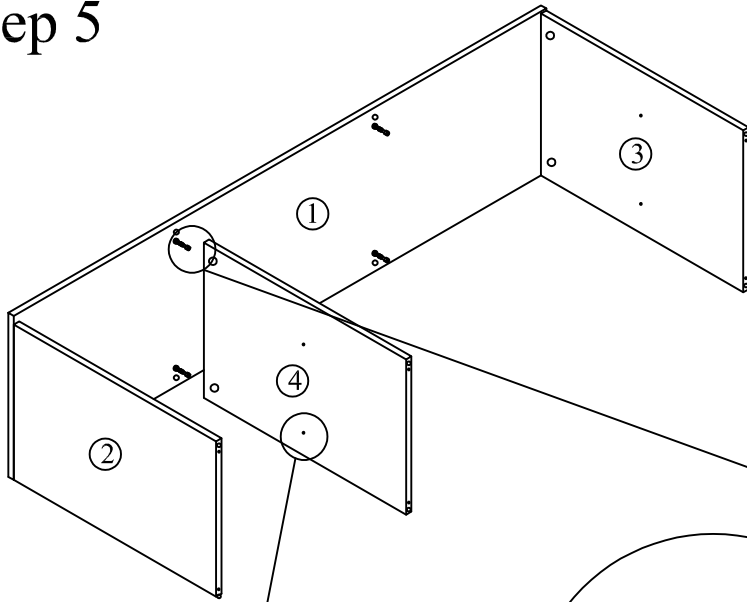
This is how a mini fix works...

The head of the mini fix housing goes into the open mouth of the mini fix bolt. You then turn the mini fix housing so it tightens over the mini fix bolt.

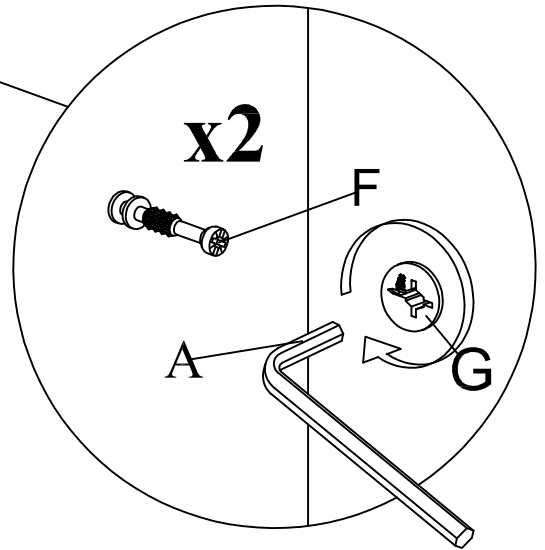


**Attach Minifix Cap as shown.*

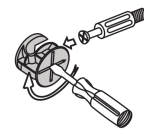
Step 5



**Attach Minifix Cap as shown.*

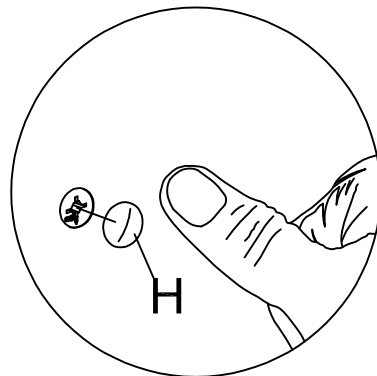
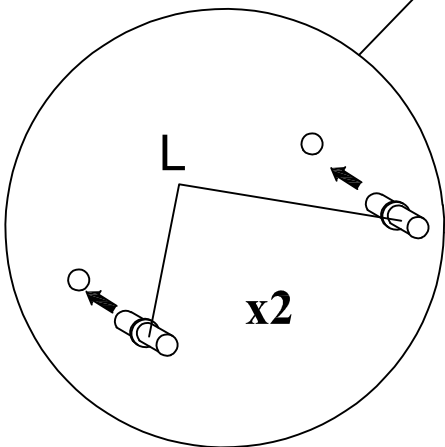
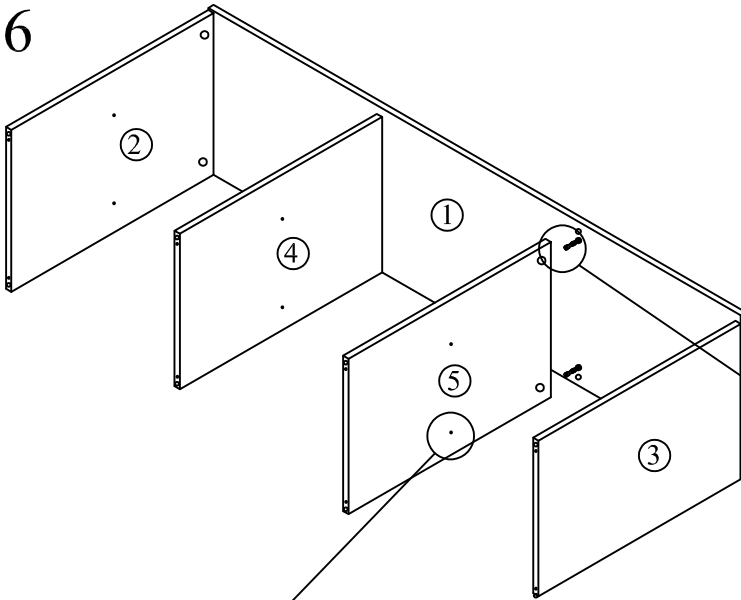


This is how a mini fix works...

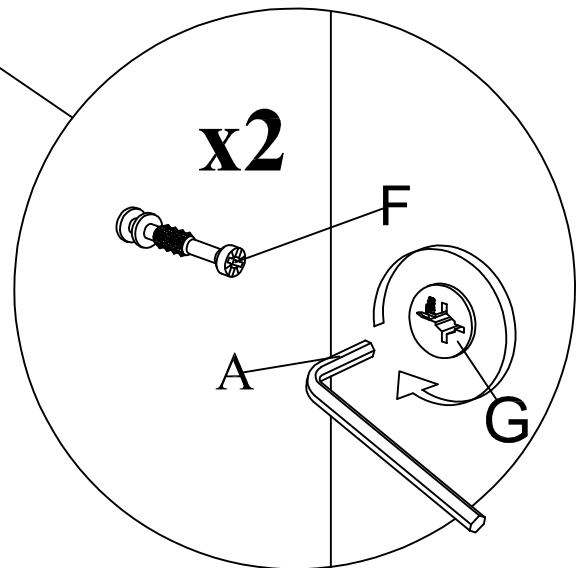


The head of the mini fix housing goes into the open mouth of the mini fix bolt. You then turn the mini fix housing so it tightens over the mini fix bolt.

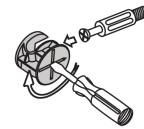
Step 6



**Attach Minifix Cap as shown.*

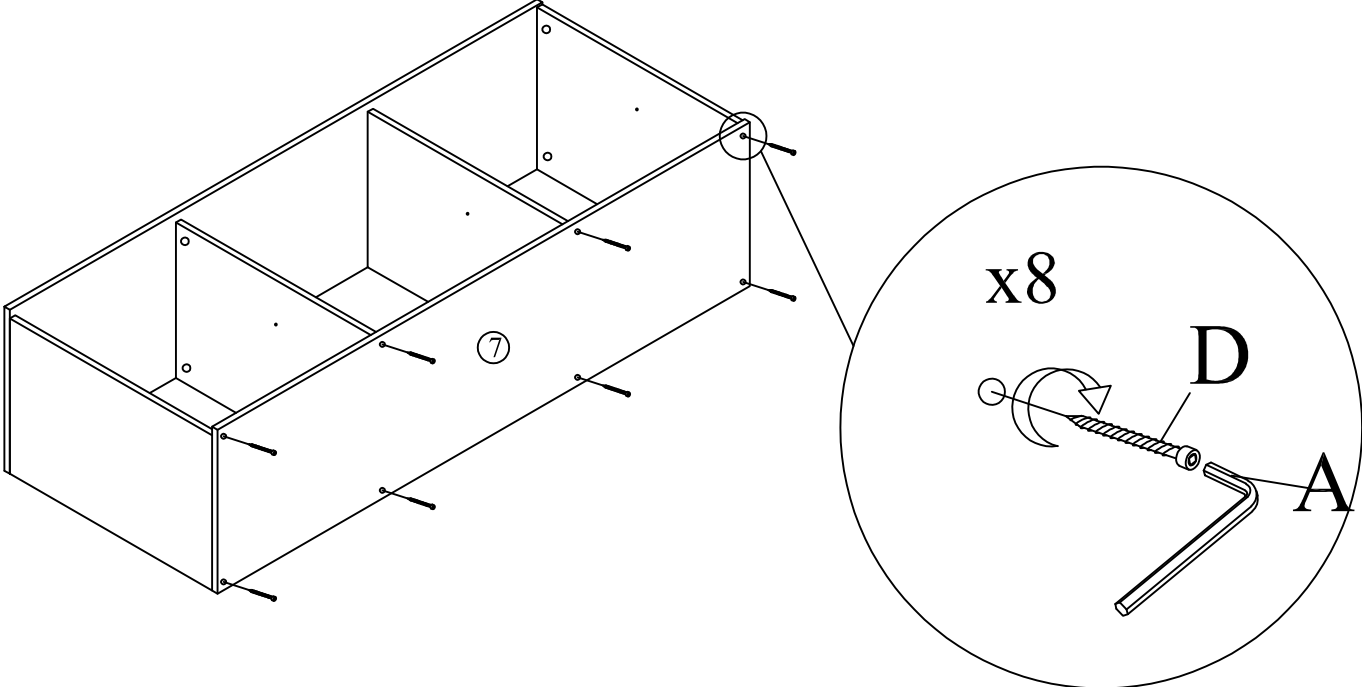


This is how a mini fix works...

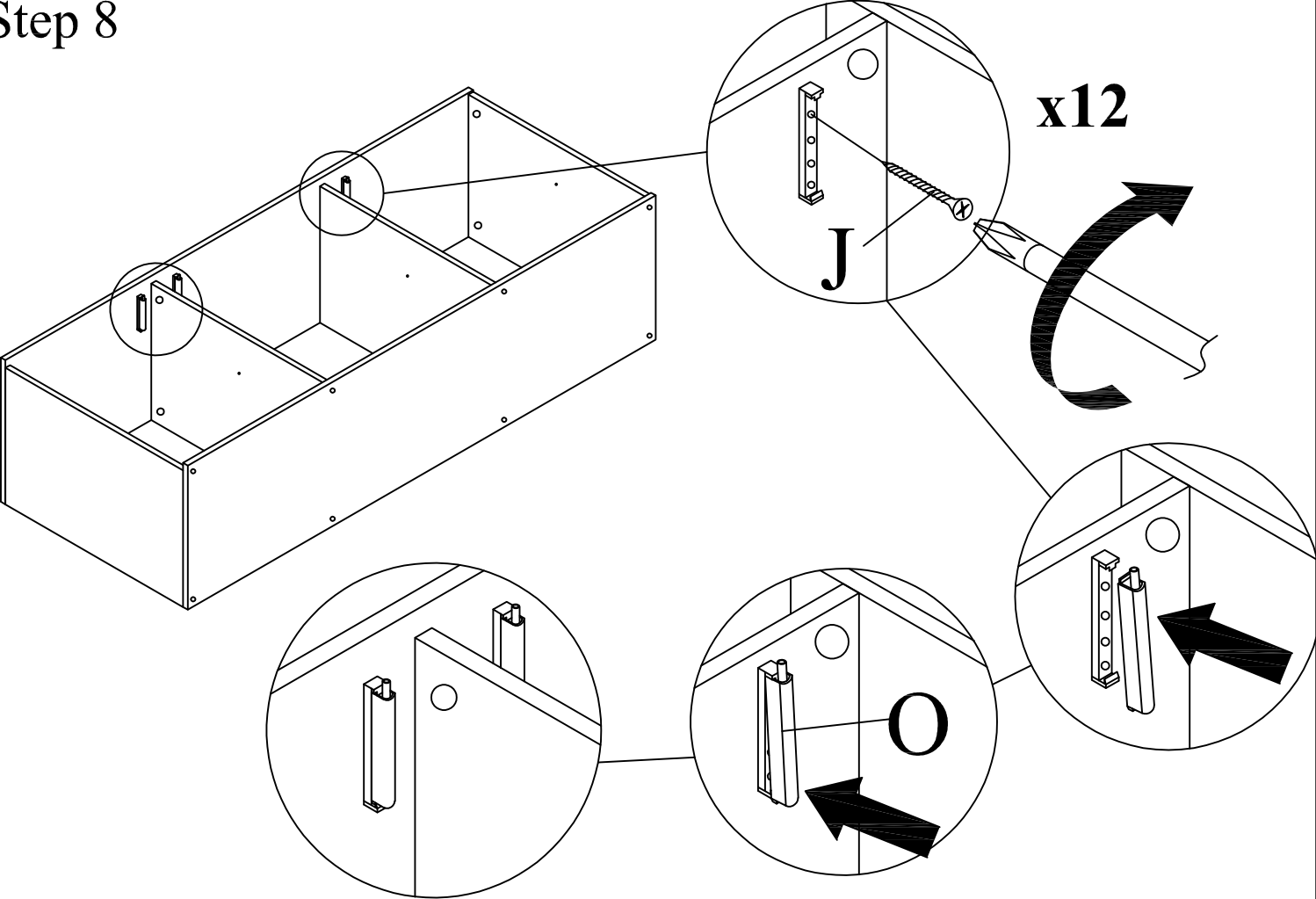


The head of the mini fix housing goes into the open mouth of the mini fix bolt. You then turn the mini fix housing so it tightens over the mini fix bolt.

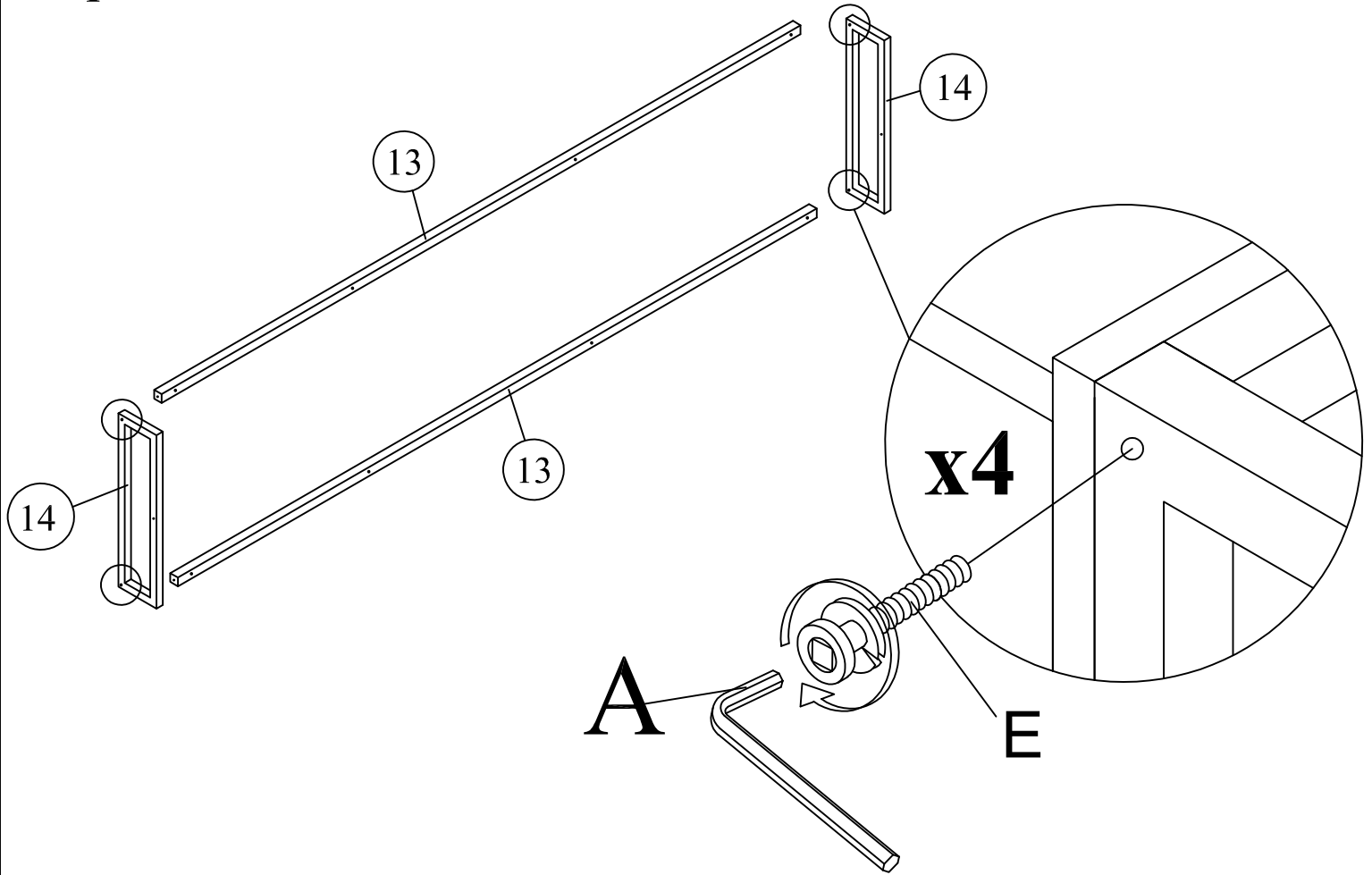
Step 7



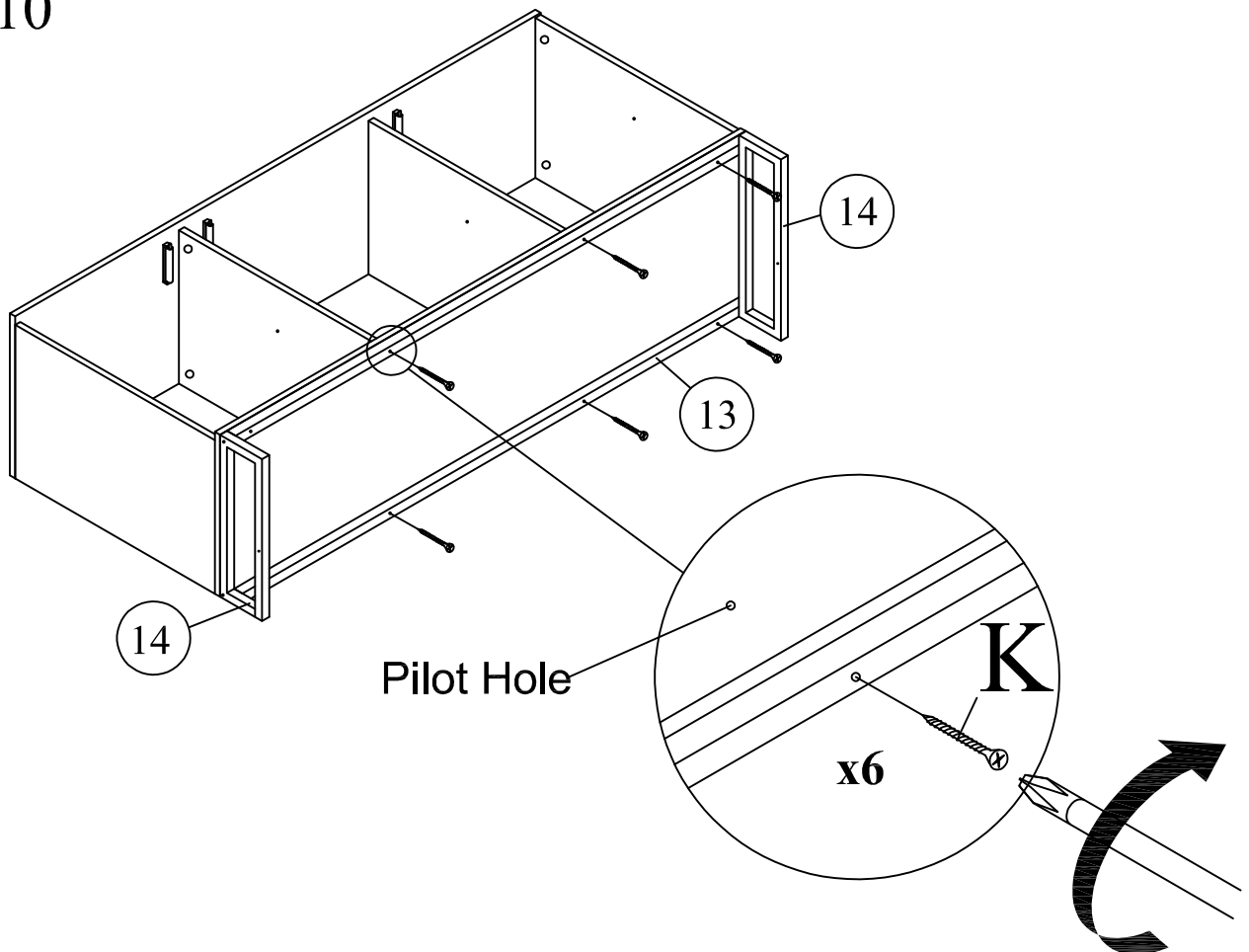
Step 8



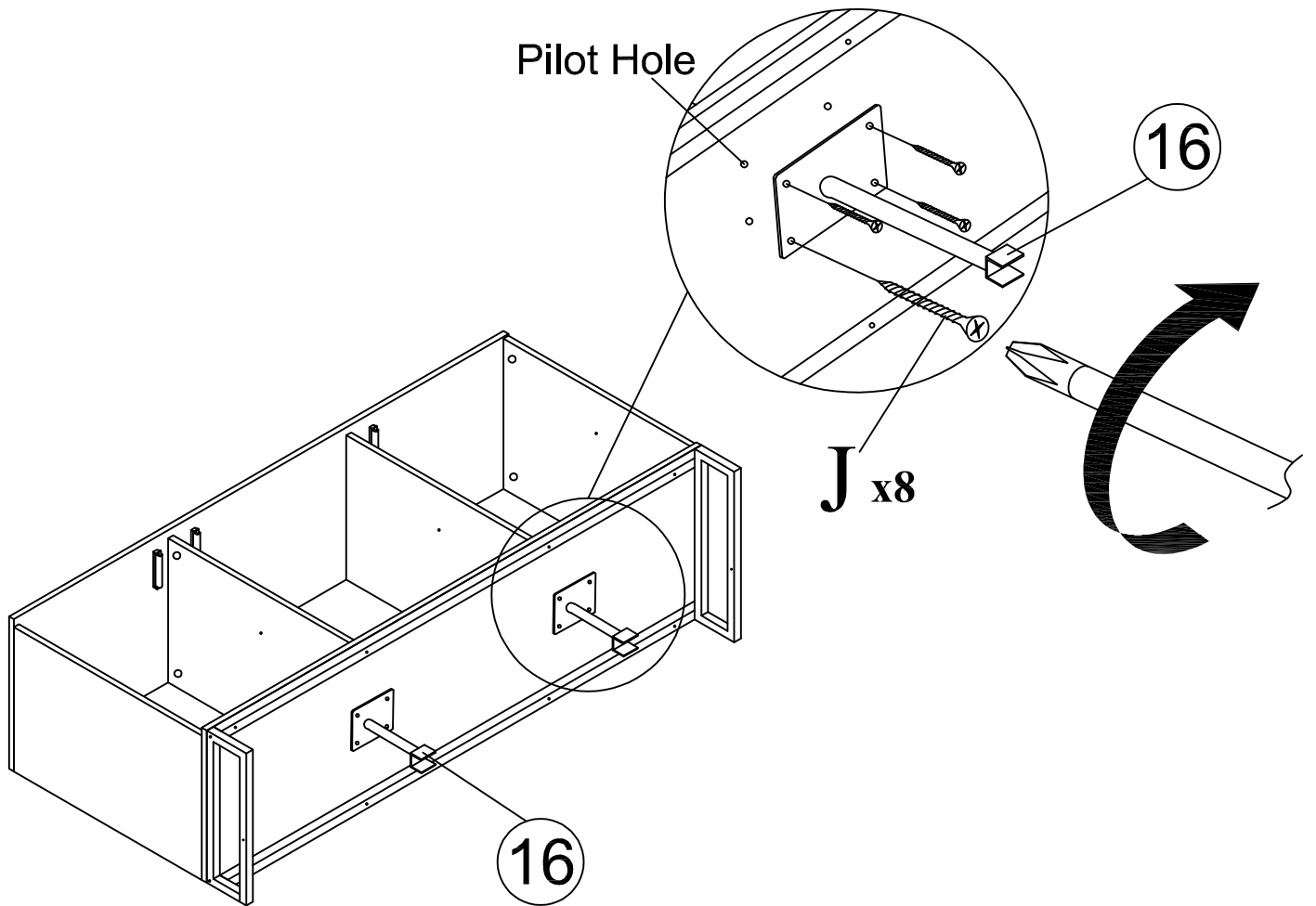
Step 9



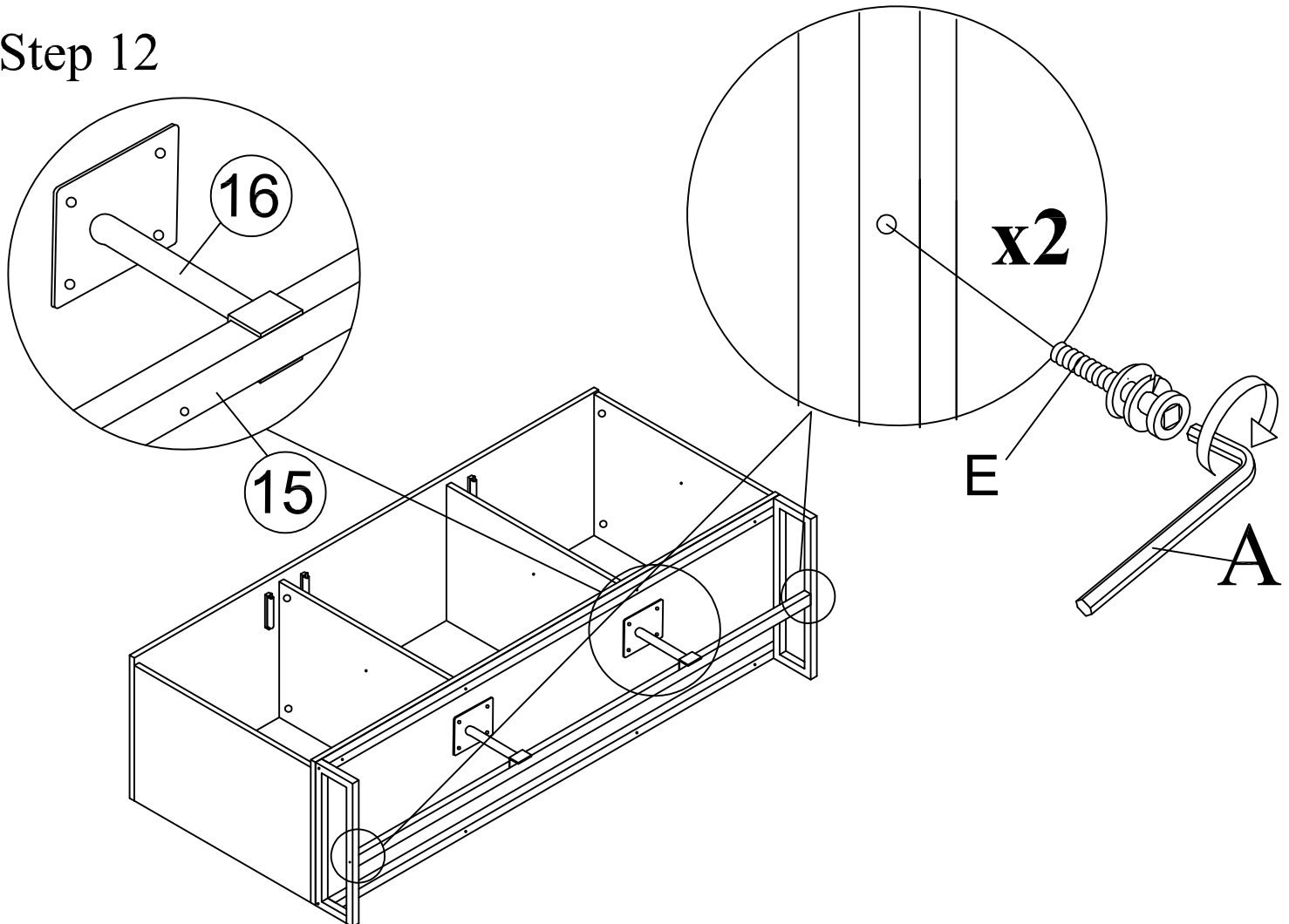
Step 10



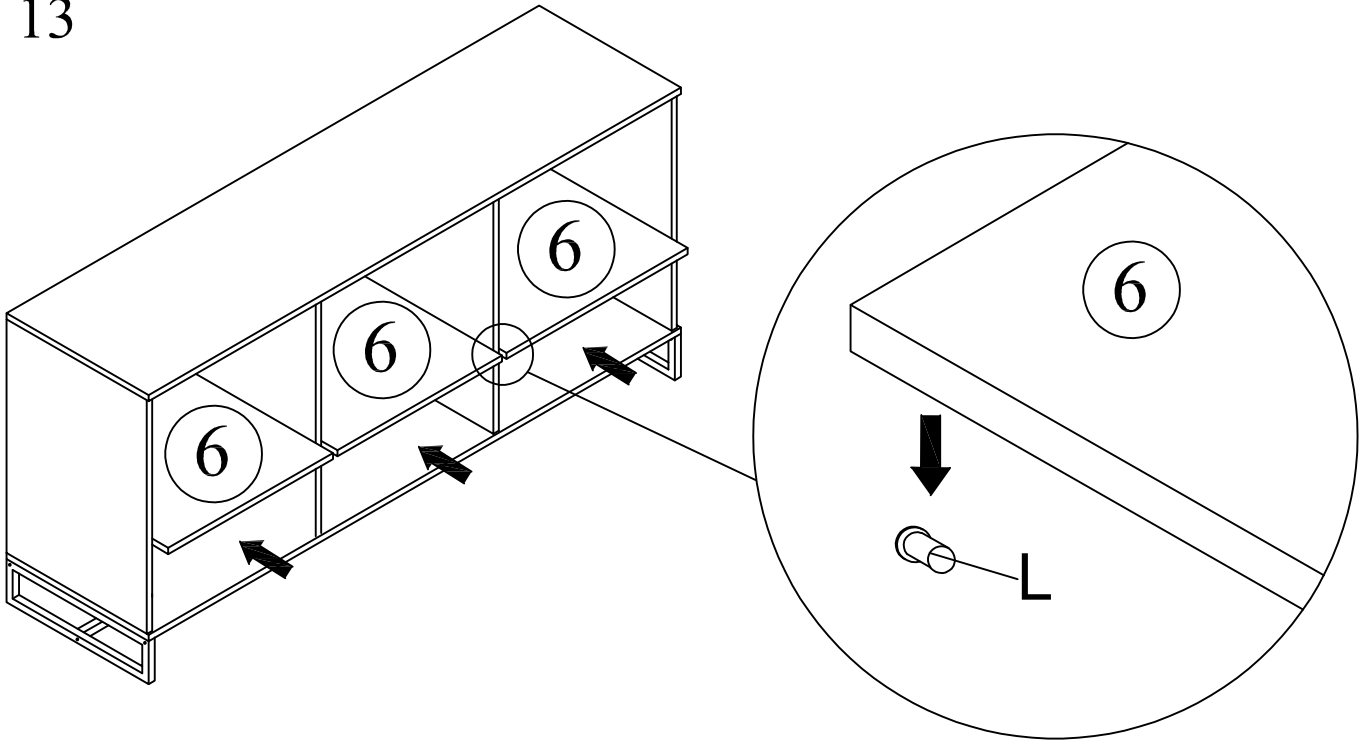
Step 11



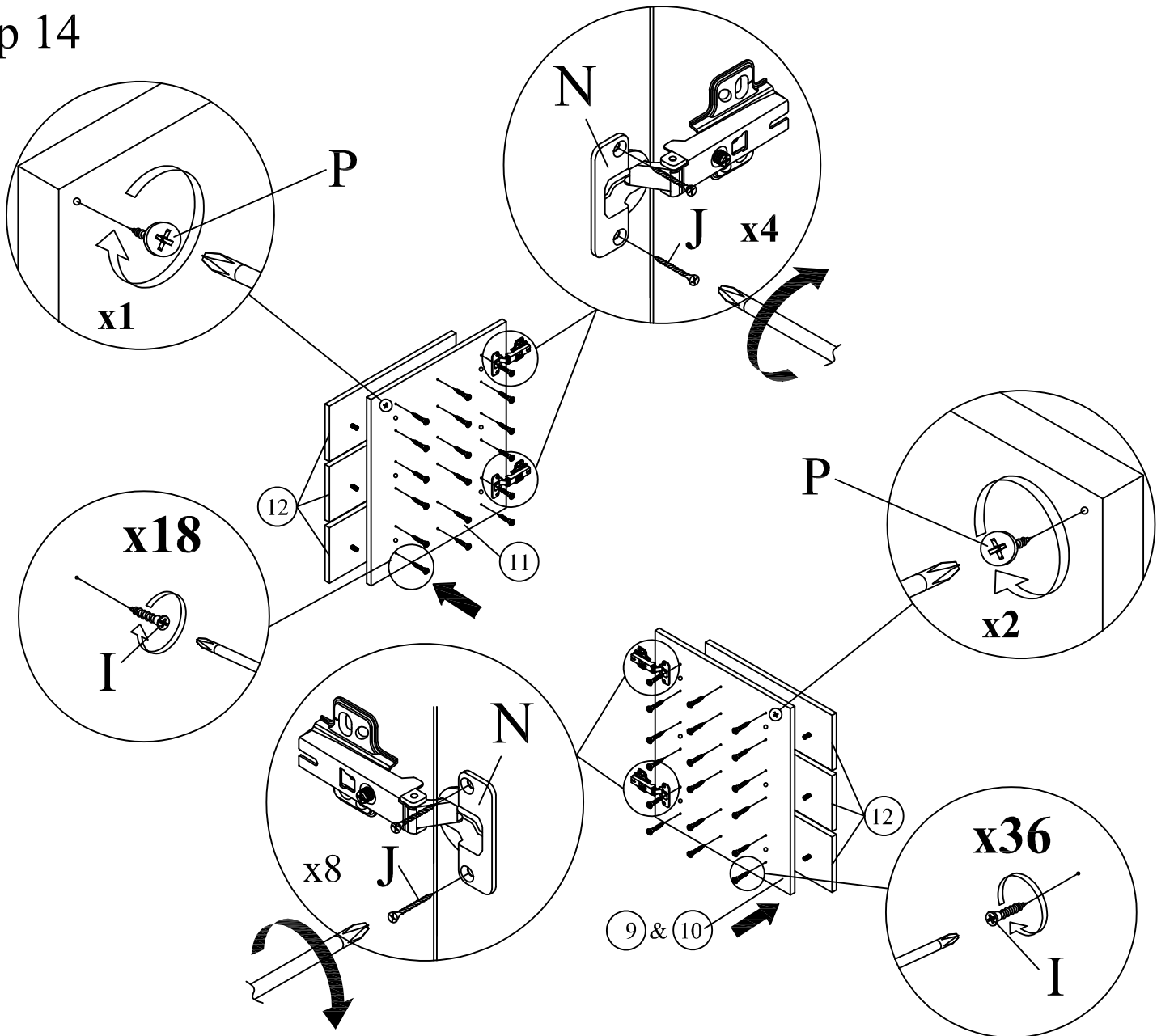
Step 12



Step 13

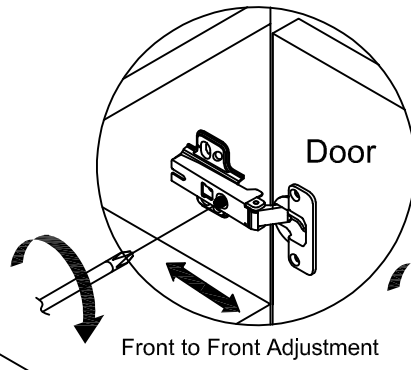
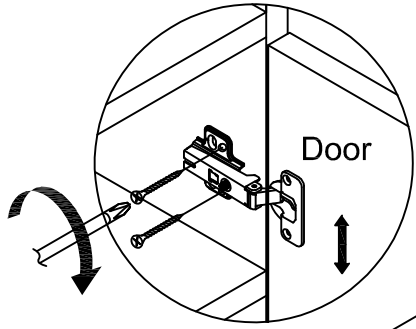


Step 14

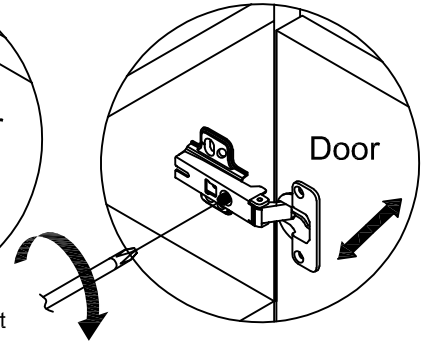


Step 15

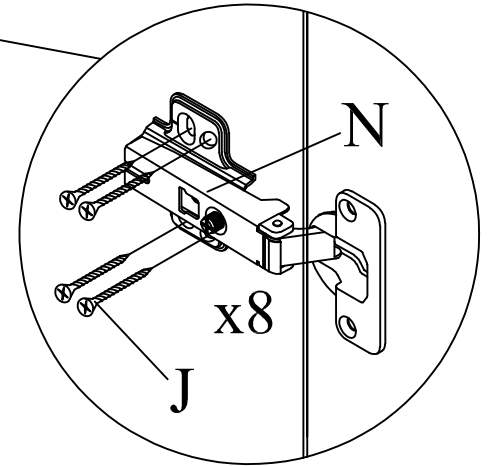
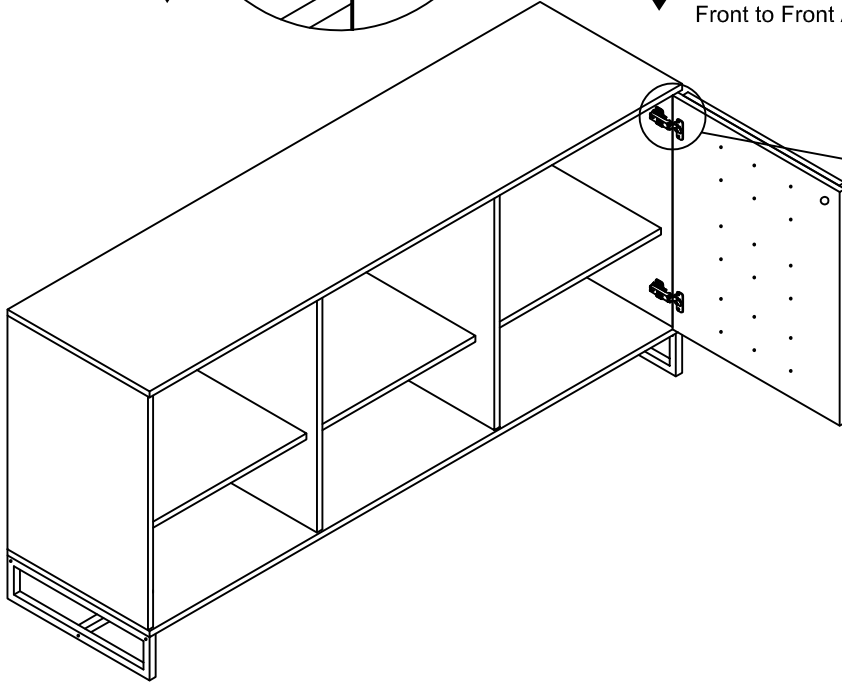
Vertical Adjustment



Front to Front Adjustment

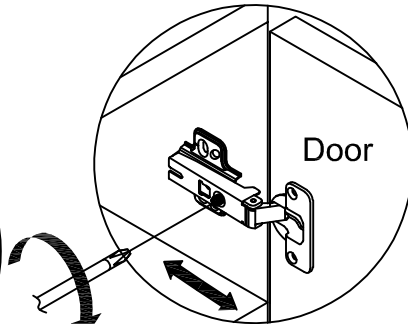
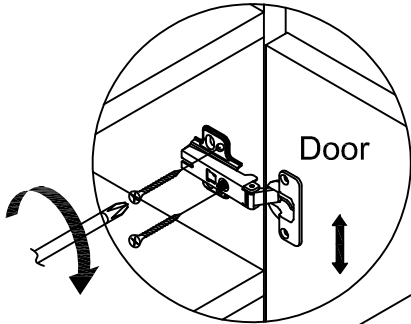


Lateral Adjustment

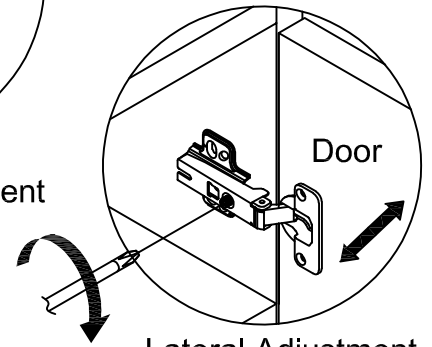


Step 16

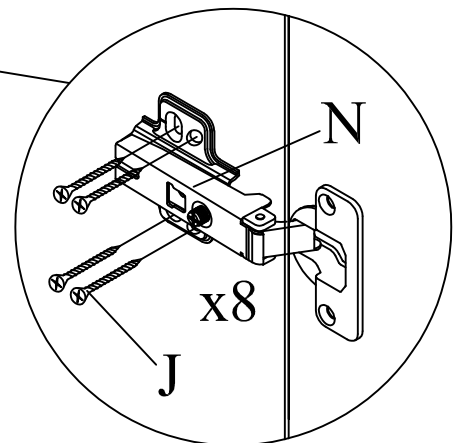
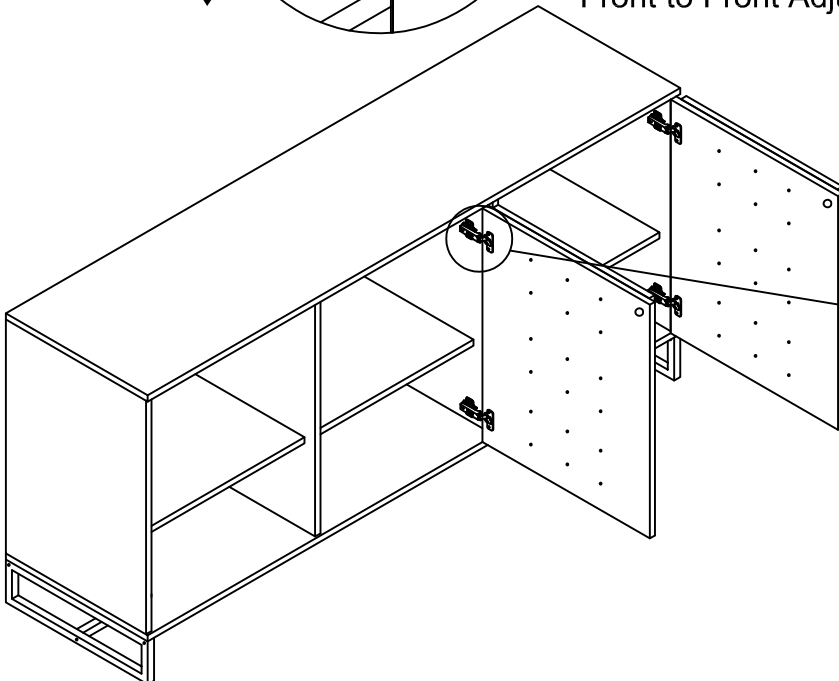
Vertical Adjustment



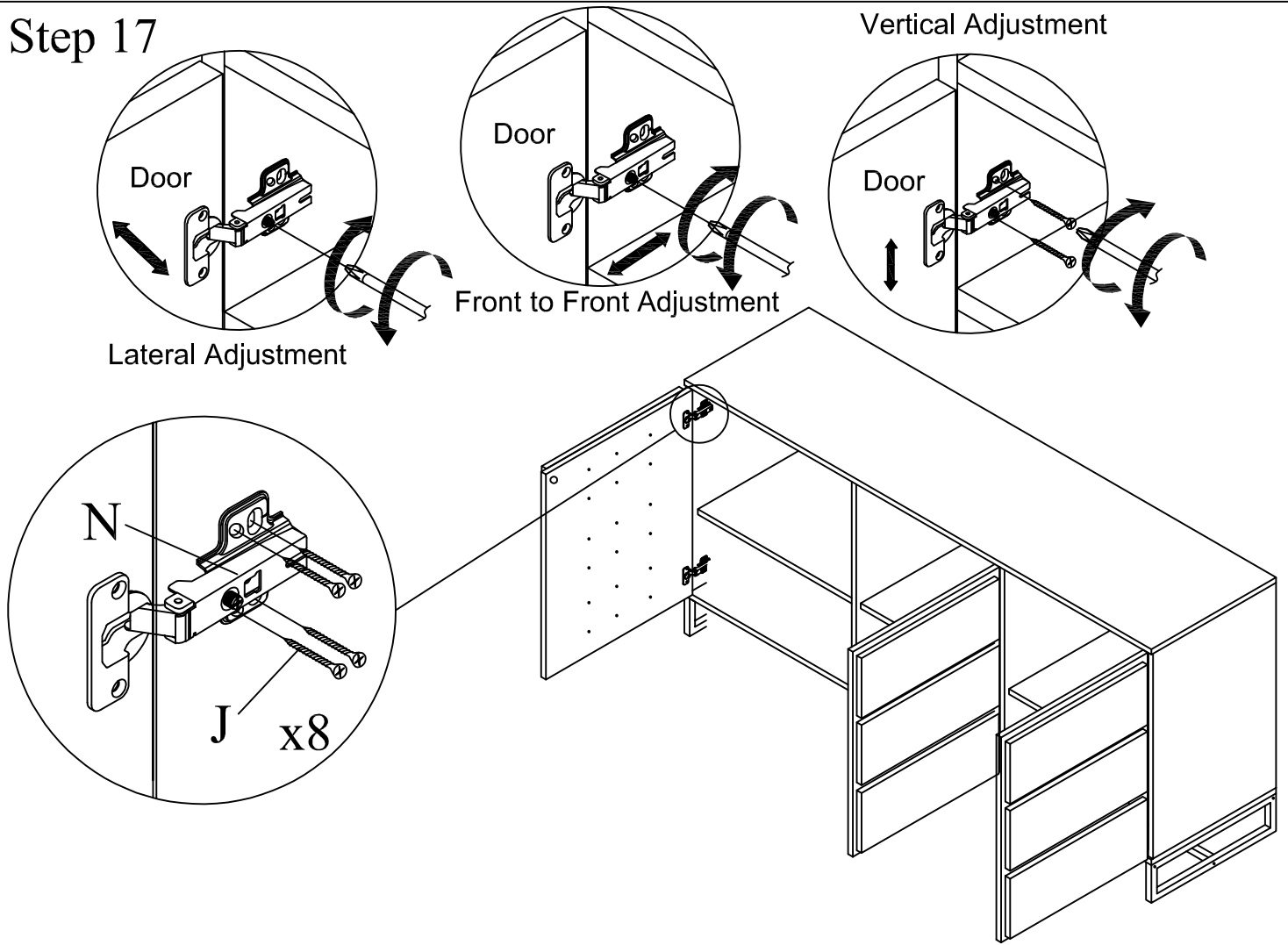
Front to Front Adjustment



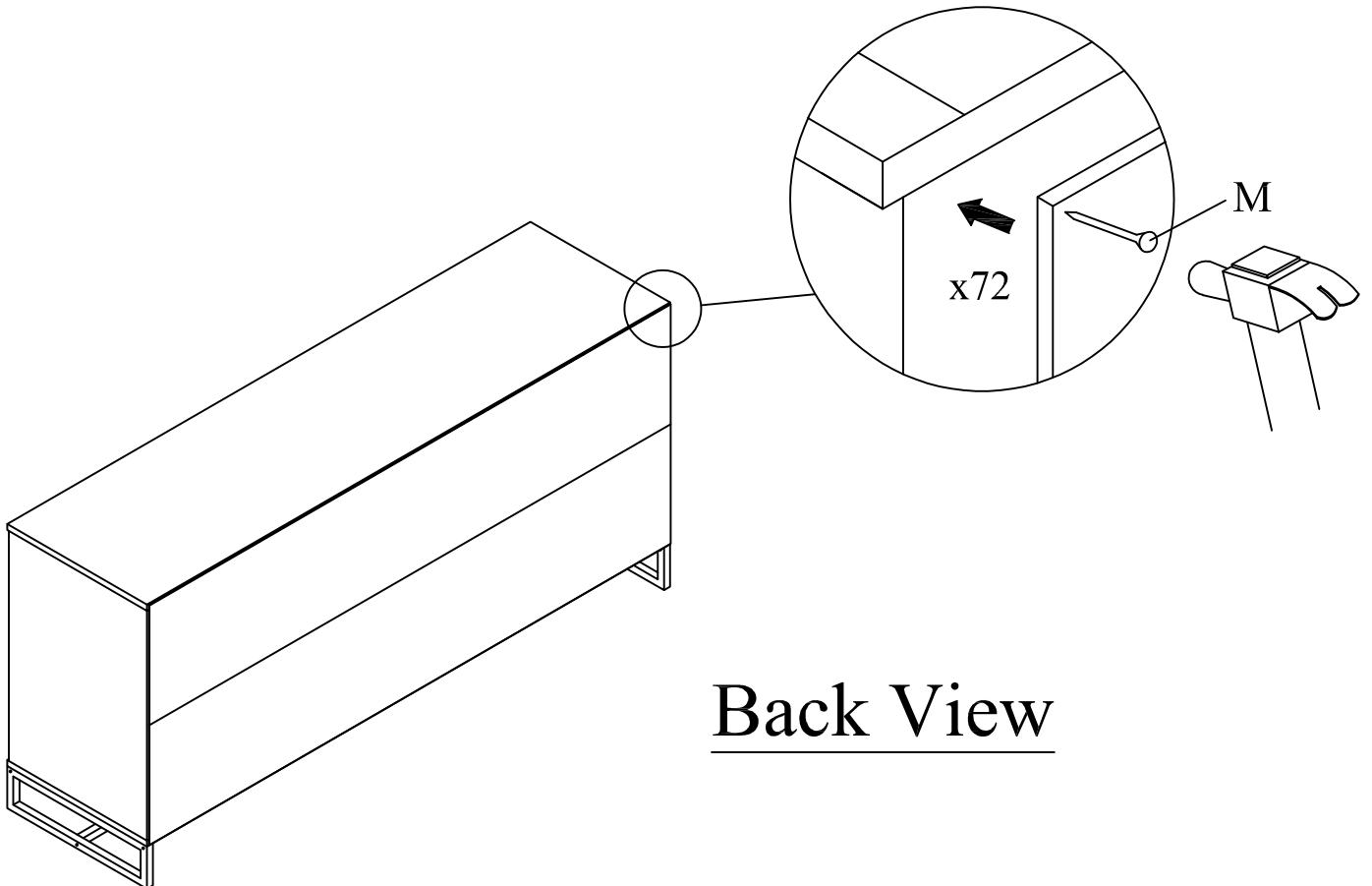
Lateral Adjustment



Step 17



Step 18



Back View

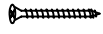
Anti -
Tipping

(A)



CSK Screw
M3.5x16mm
1PC

(B)



CSK Screw
M4x50mm
1PC

(C)

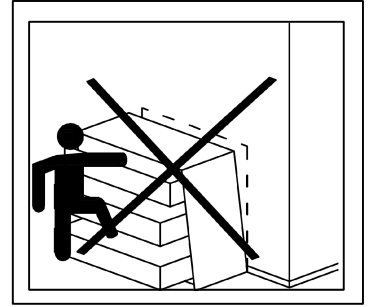
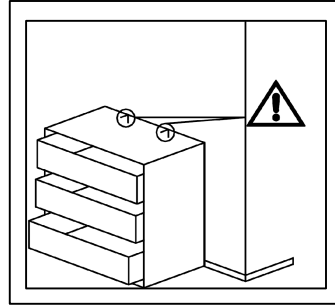


L BRACKET
2PCS

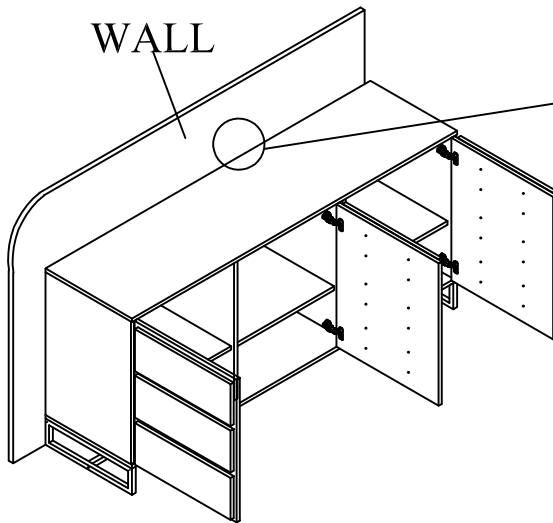
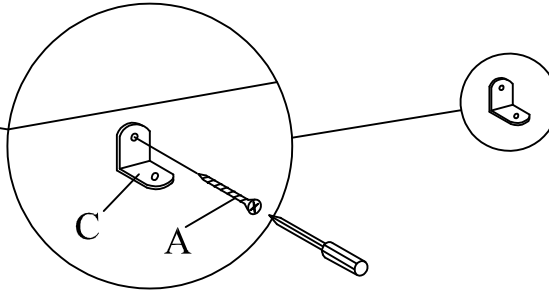
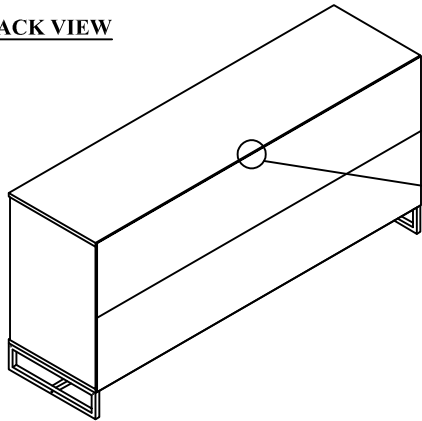
(D)



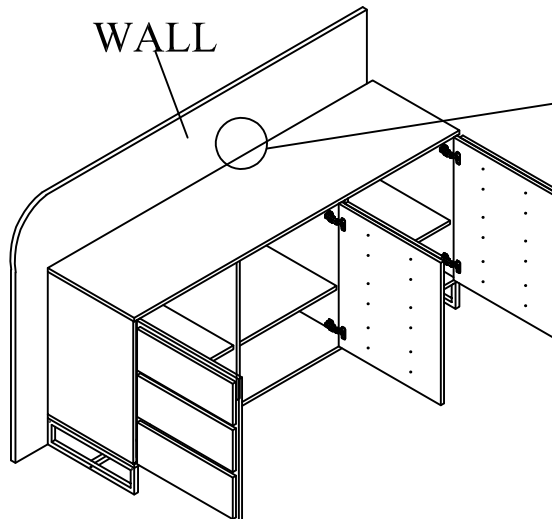
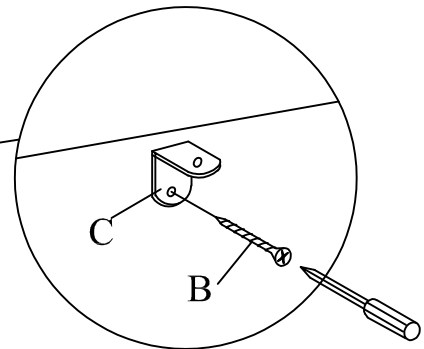
CABLE TIE
1PC



BACK VIEW



WALL



WALL

