

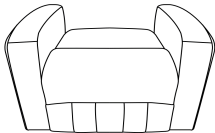
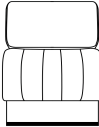
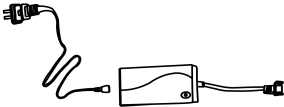
Assembly Instructions

Power Lift Chair

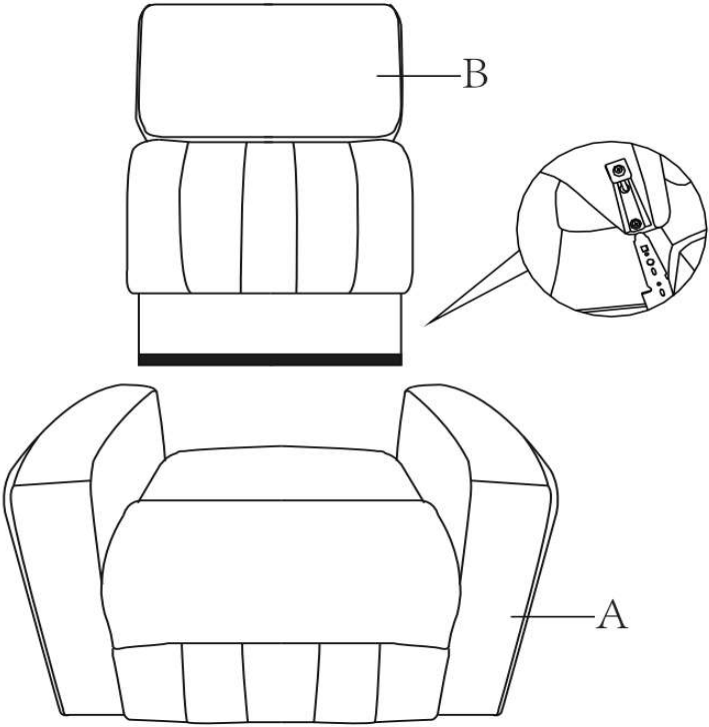


Note: Do not use power tools for assembly. Power tools increase the risk of over-tightening, which may lead to splitting or cracking the wood.

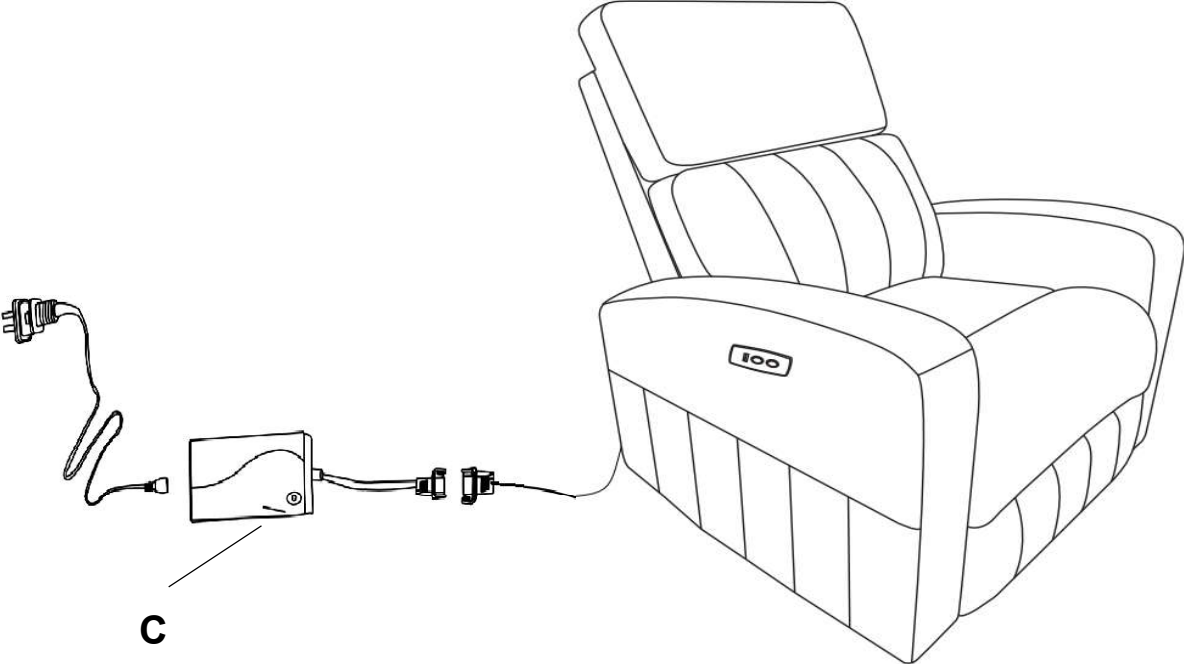
COMPONENT LIST

NO	DRAWING	QTY	DESCRIPTION
A		1	SEAT
B		1	BACK REST
C		1	ADAPTOR/PLUG

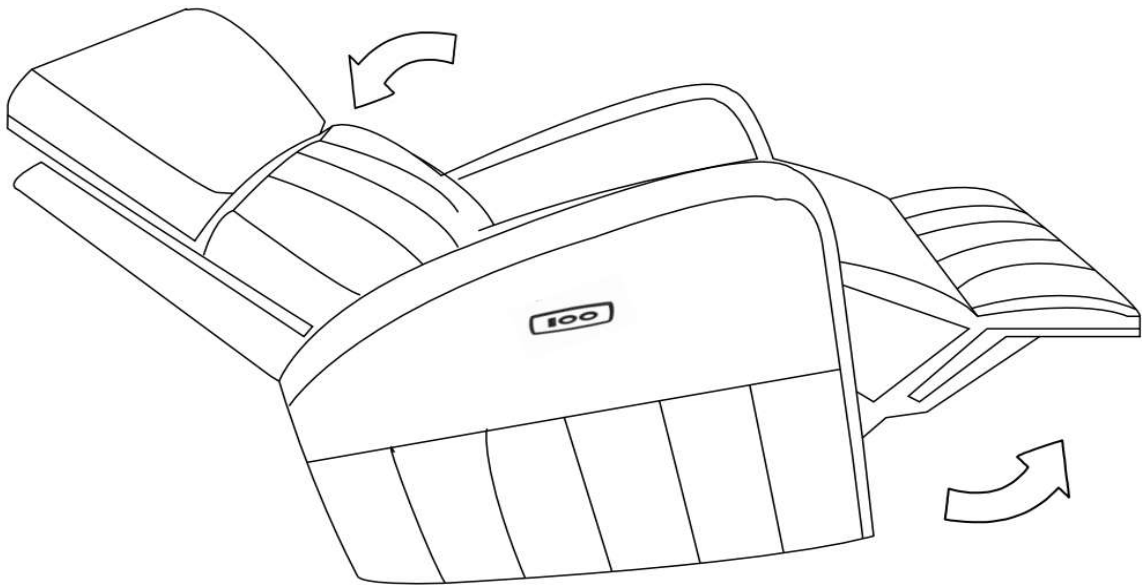
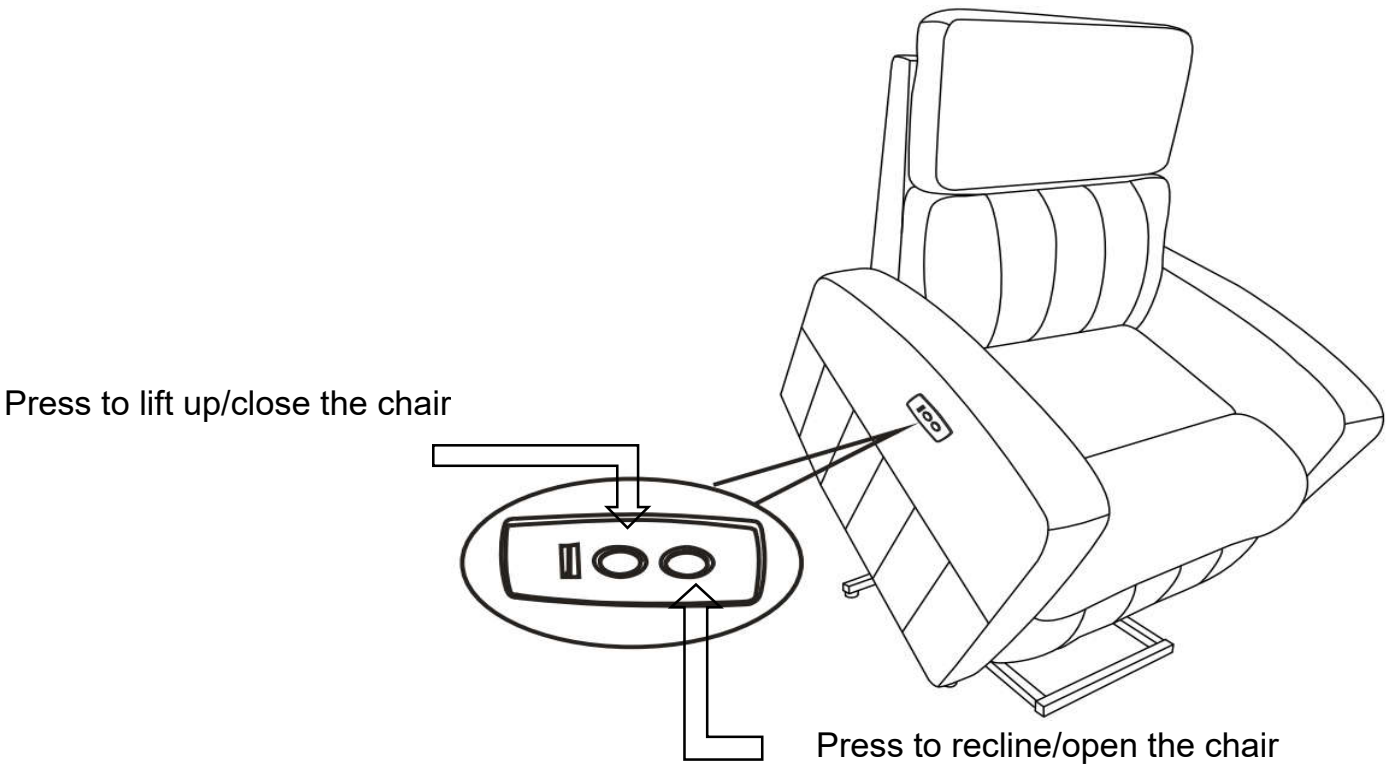
Step1



Step2



Step3



Care Instructions for Breathable Faux Leather Furniture:

To maintain the original appearance of your breathable faux leather furniture, please follow the simple care procedures below:

- Avoid exposing furniture directly to sunlight or heating and air conditioning outlets. Sunlight and/or exposure to heating and air conditioning outlets will fade/damage breathable faux leather furniture.
- Do not place your upholstered furniture too close to windows, radiators, or vents.
- Vacuum or wipe with a soft brush to remove dust.
- Hardware may loosen over time. Periodically check to make sure all connections are tight. Re-tighten if necessary.



For items used on wooden floors, hard surfaces, or carpets, it is recommended to install protective pads under all legs and supports to prevent damage, scratches, and discoloration.

Warning!

Do not allow the electrical cord to be pinched between moving parts or between the frame and the floor. Do not place the cord under carpeting or in a location where it could become worn.

To avoid damage, please use scissors to remove this tag.