

## WARRANTY

We strive to offer high-quality products, and we also try our best to satisfy each and every customer that orders from us with product or service as needed.

Each customer must provide a record of their order such as the order number, or

item receipt for any items that are out of the warranty period you may also still receive replacement parts by purchasing them with our company if they are available.

**Are you having difficulty  
with assembly? Missing parts?**

**Please contact us : [info@firstopintl.com](mailto:info@firstopintl.com)  
telephone No.:5627813327**

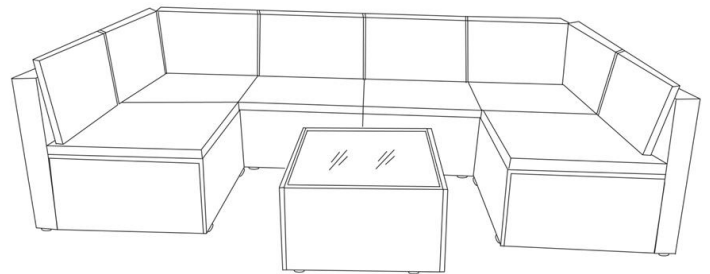
**send email with your order No. to**

**For return, please check the return policy with  
the retailer or market place you bought from.**

**Appreciate your purchasing from us.**

**Pop up your life by our furniture !**

# wixe



ITEM NO: FOP-ODF518882501-1  
FOP-ODF518882501-2  
FOP-ODF518882501-3  
FOP-ODF518882502-1  
FOP-ODF518882502-2  
FOP-ODF518882502-3  
FOP-ODF518882503-1  
FOP-ODF518882503-2  
FOP-ODF518882503-3

### NOTE:

This brochure contains IMPORTANT safety info. Please read and keep for future reference.

## MAINTAINANCE AND WARNING

- Keep furniture away from heat and fire.
- Keep furniture away from sharp objects.
- Do not clean furniture with harsh cleansers or polish. Do not use detergents, Solvents, abrasives, spray packs or leather cleaner. Use non-color mild soap with warm water clean spills(Mix 1:10 soap to water)
- Do not jump or strike on the furniture.
- Do not write on furniture without a padded barrier to protect the surface.
- Not for commercial use, For residential use only.



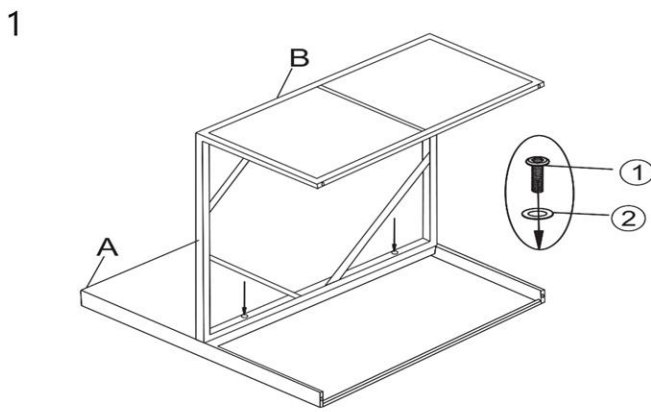
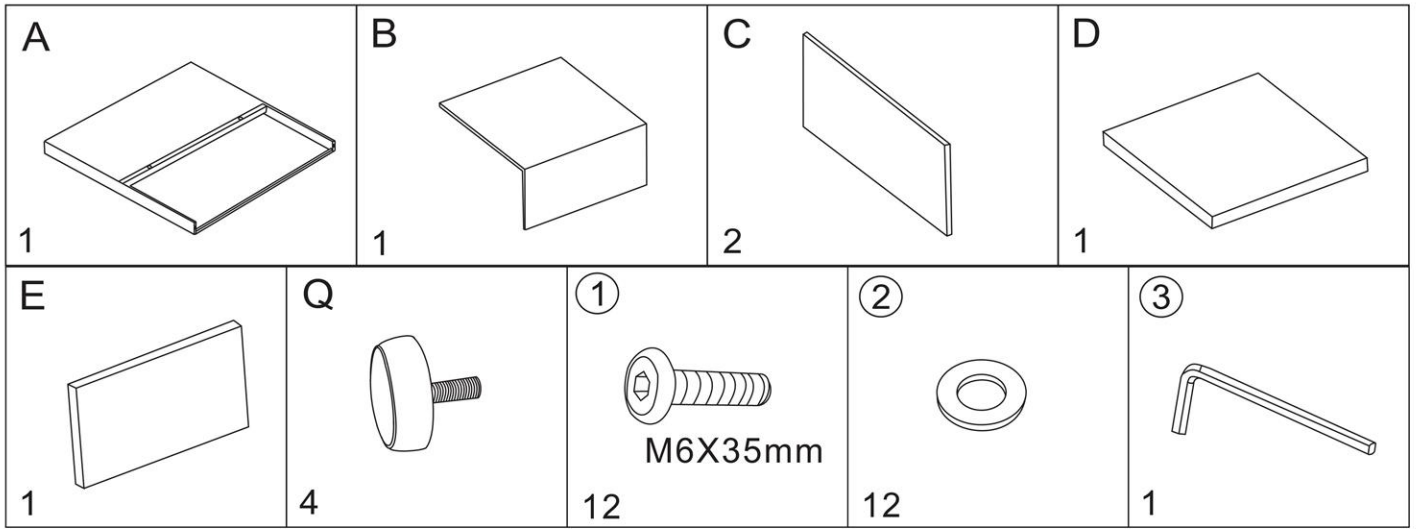
Weight Limitation

250lb per chair

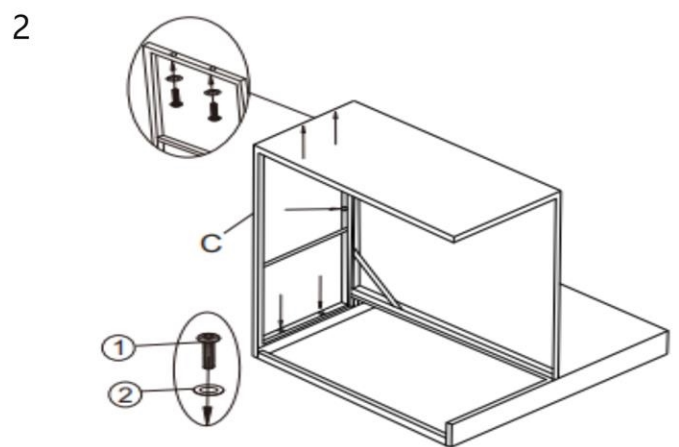
## ASSEMBLY INSTRUCTIONS

### PARTS AND HARDWARE LIST

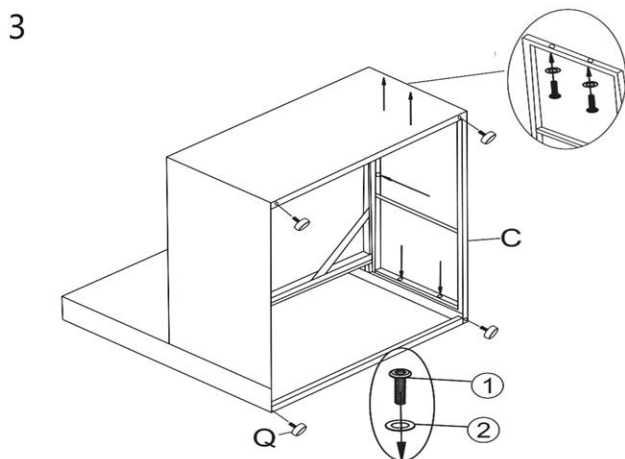
A  4	B  4	C  10	D  6
E  6	F  2	G  1	H  1
I  1	J  1	K  1	L  1
M  1	N  2	O  2	P  1
Q  28	①  82	②  84	③  1
④  2			



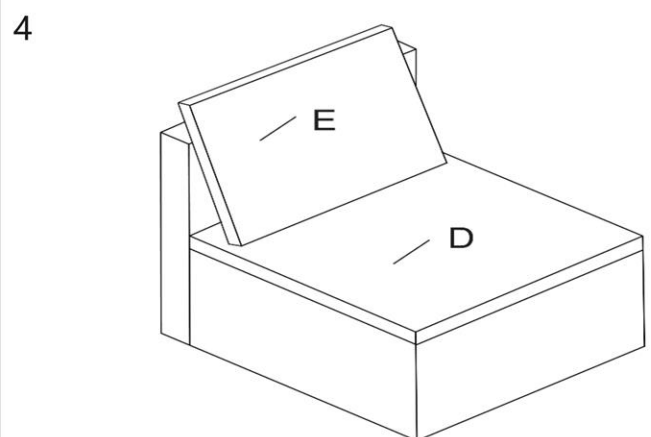
Assemble backrest A and seat plate B together on screw 1 with gasket 2, and tighten the screws using hex tool 3



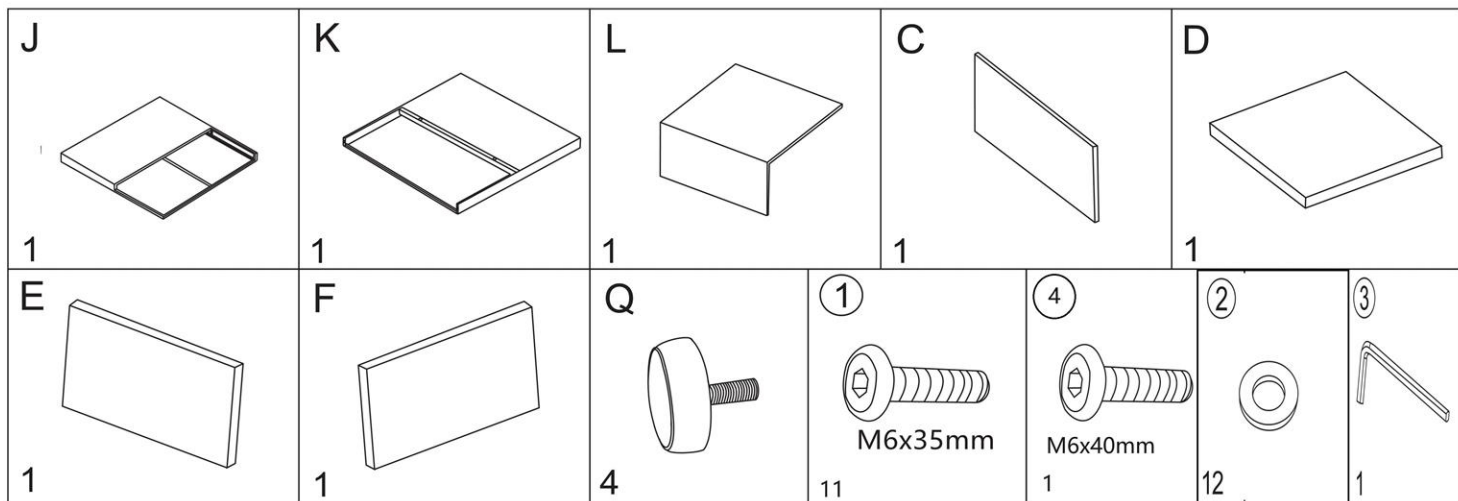
Align accessory C with backrest and seat reserve hole, match Gasket 2 with Screw 1, use inner hexagon tool 3, combine them together



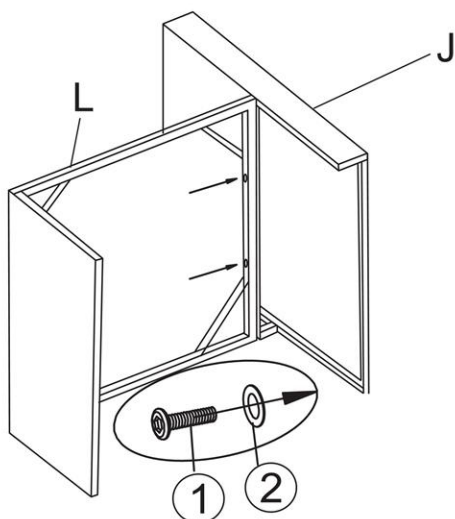
Align accessory C with backrest and seat reserve hole, Screw 1 with Gasket 2, use inner hexagon tool 3 to combine them; tighten adjust footrest Q to bottom reserve hole.



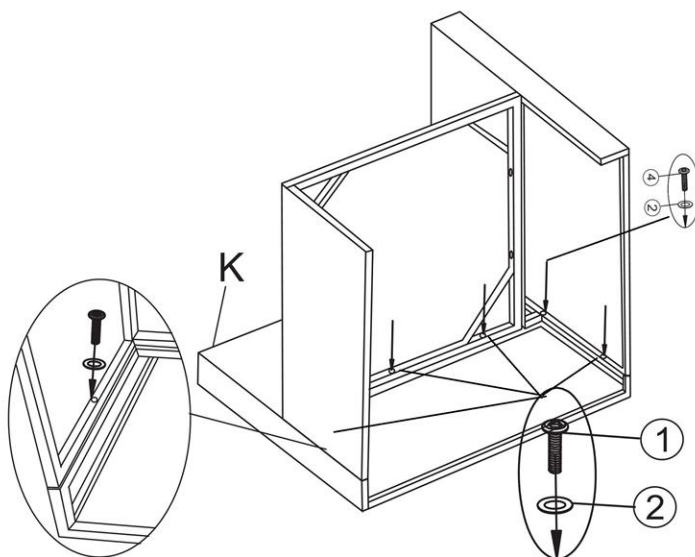
Place Cushion D and back cushion E, arrange to make it beautiful



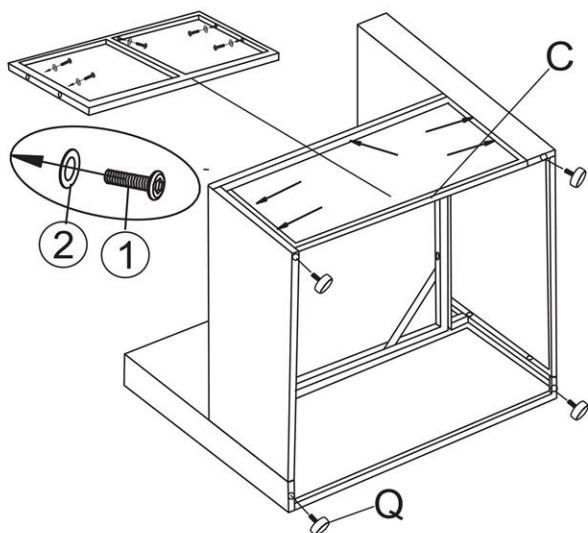
- 1 Assemble the backrest J and seat surface L together with the gasket 2 on the screw 1 and use the Allen wrench 3 to tighten the screws



- 2 Align armrest K with the screw hole reserved for backrest and seat surface, use screw 1,4 to put Gasket 2 sets on, borrow hexagonal tool 3 to install armrest K.

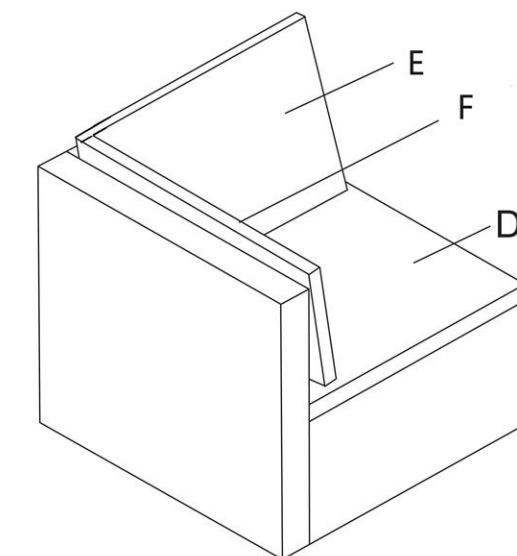


- 3 Align fitting C with the reserved screw holes in the backrest and seat surface, use screw 1 to fit gasket 2, borrow the hex tool 3, assemble fitting C with them, and tighten the screws

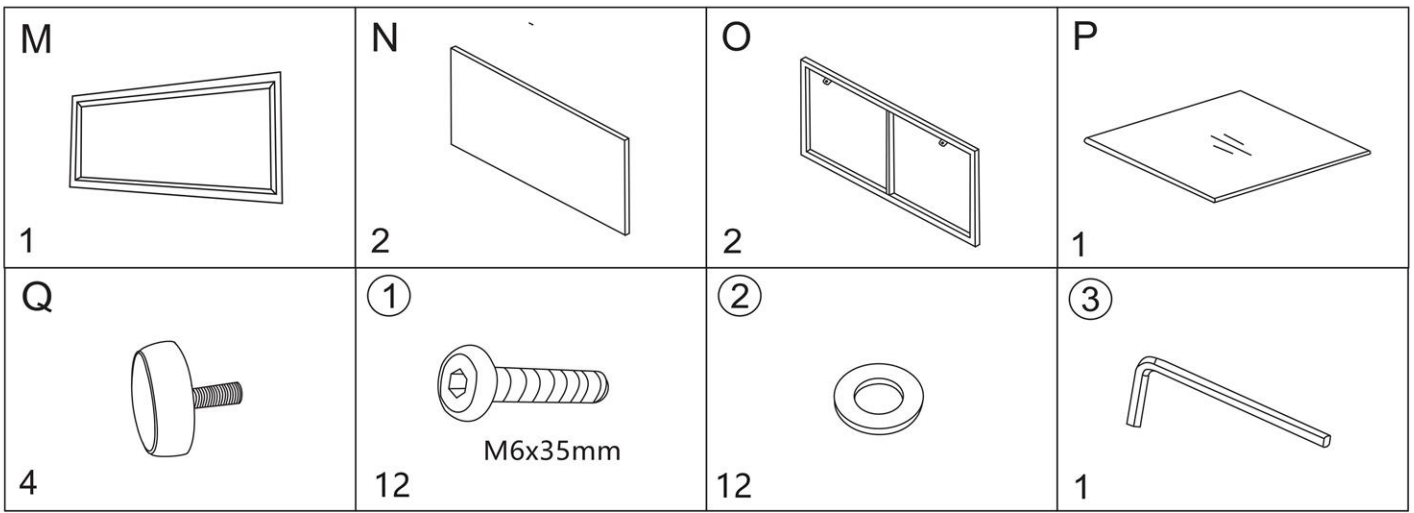


align the adjustment pad Q with the reserved screw hole at the bottom, and tighten the adjustment pad Q

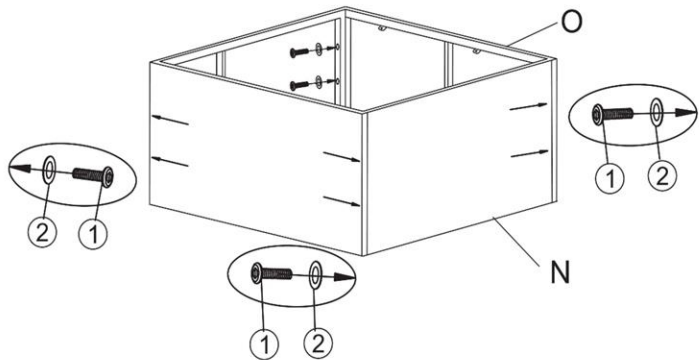
4



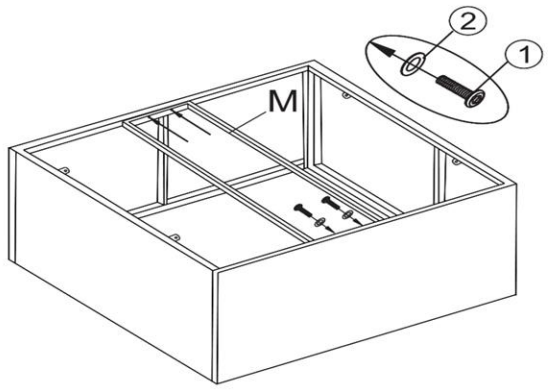
Place seat cushion D and back cushion E, armrest cotton F, tidy up to make it beautiful



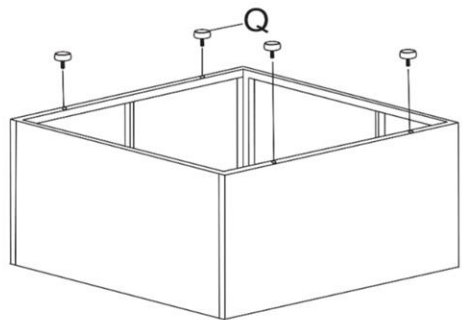
1 Align accessory O and accessory n with the reserved hole, match the Gasket 2 with Screw 1, use the inner hexagonal tool 3, so that they are combined together;



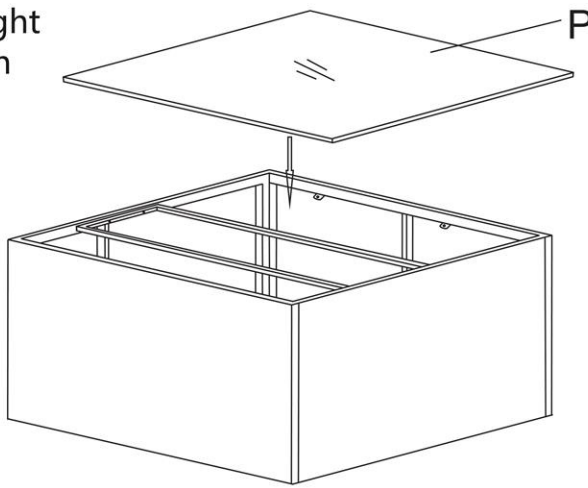
2 Align the fitting M with the screw holes on the fitting O, use screw 1, match gasket 2, borrow the hexagon tool 3, and combine them together



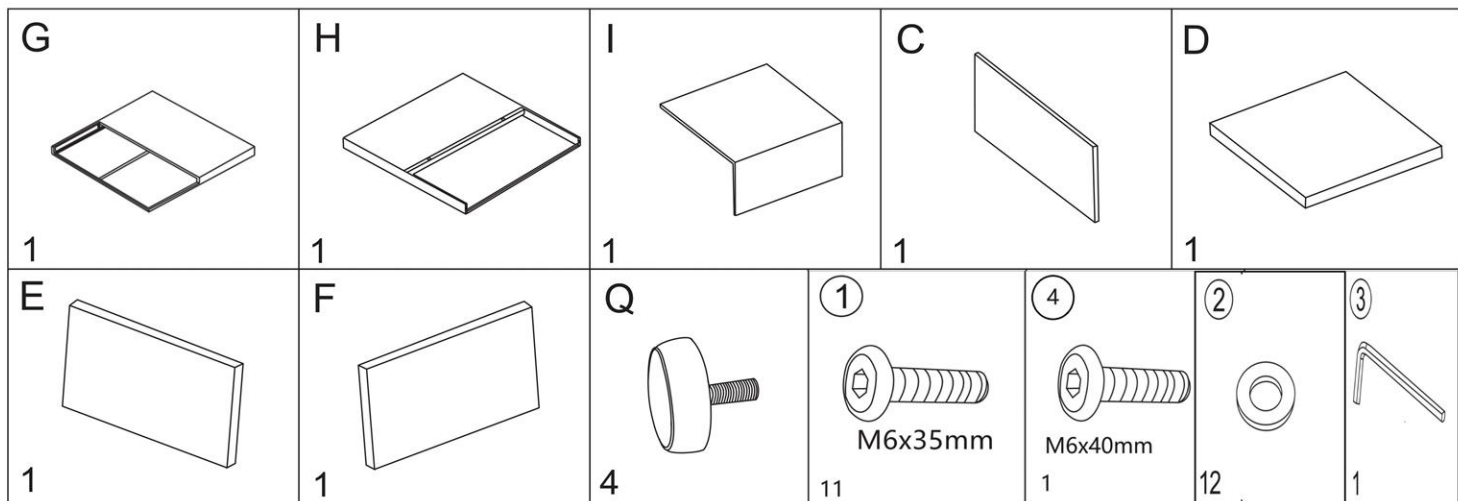
3 Align the adjustment pad Q with the reserved screw hole at the bottom and tighten all screws



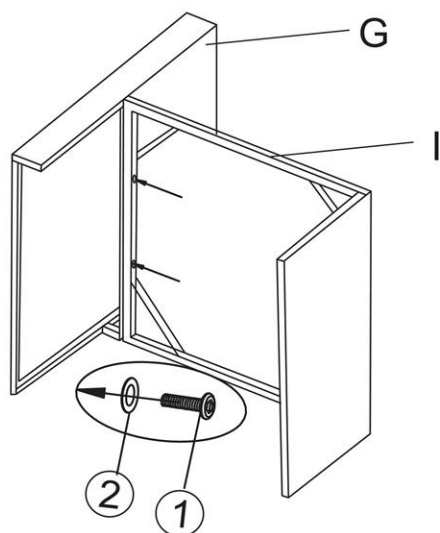
4 Place the frame upright and put the glass P in



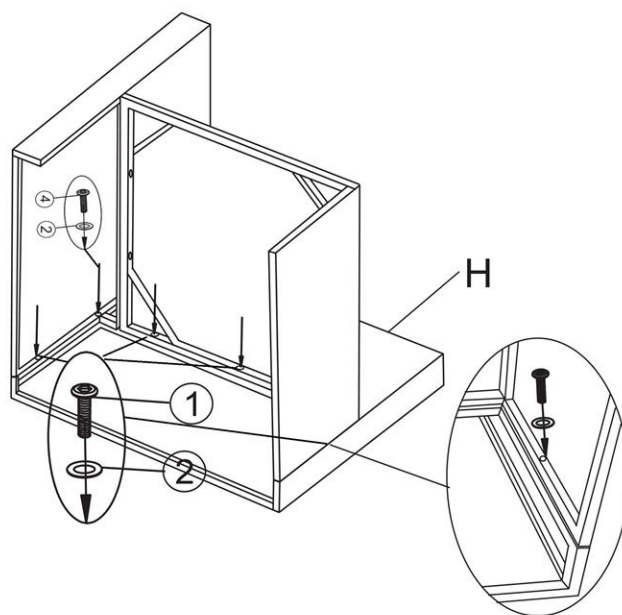
**The products are handmade, if the sofa is not stable, you can twist the screw in the foot to adjust to the level.**



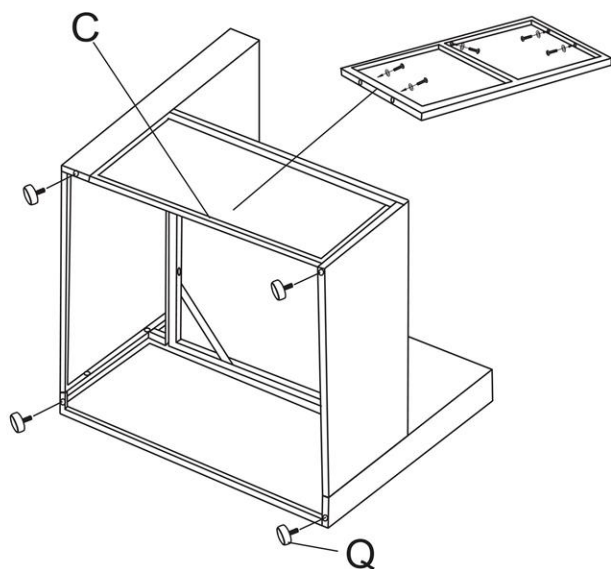
1 Assemble the backrest G and seat surface I together with the gasket 2 on the screw 1 and use the Allen wrench 3 to tighten the screws



2 Align armrest H with the screw hole reserved for backrest and seat surface, use screw 1,4 to put Gasket 2 sets on, borrow hexagonal tool 3 to install armrest H.

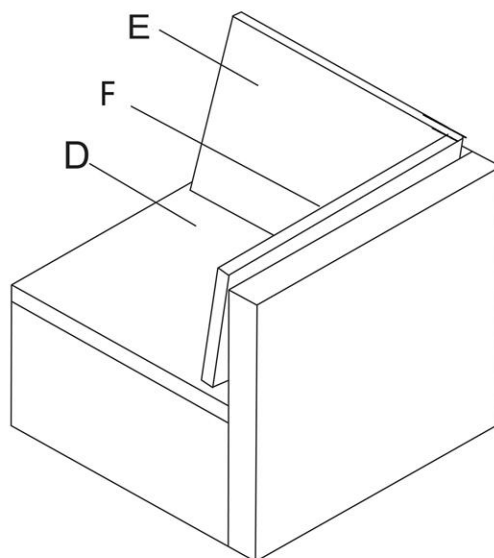


3 Align fitting C with the reserved screw holes in the backrest and seat surface, use screw 1 to fit gasket 2, borrow the hex tool 3, assemble fitting C with them, and tighten the screws



align the adjustment pad Q with the reserved screw hole at the bottom, and tighten the adjustment pad Q

4 Place seat cushion D and back cushion E, armrest cotton F, tidy up to make it beautiful



Use U-shaped plastic buckle to fasten the sofa assembly