

ASSEMBLY INSTRUCTIONS



Fine Furniture for every stage of life

Bench

REVISION 0: 07/27/2011
REVISION 1: 09/21/2018
REVISION 2:12/13/2020

ASSEMBLY INSTRUCTIONS

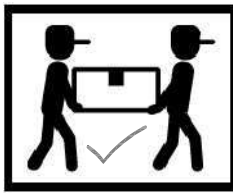
ASSEMBLY TIPS :

1. Remove hardware from box and sort by size.
2. Please check to see that all hardware and parts are present prior to start of assembly.
3. Please follow attached instructions in the same sequence as numbered to assure fast & easy assembly.



WARNING !

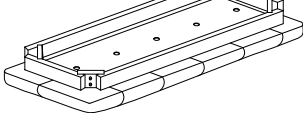

1. Don't attempt to repair or modify parts that are broken or defective. Please contact the store immediately.
2. This product is for home use only and not intended for commercial establishments.



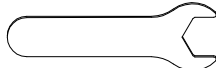
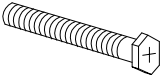


ASSEMBLY TIME

8 MINUTES

PARTS IDENTIFICATION

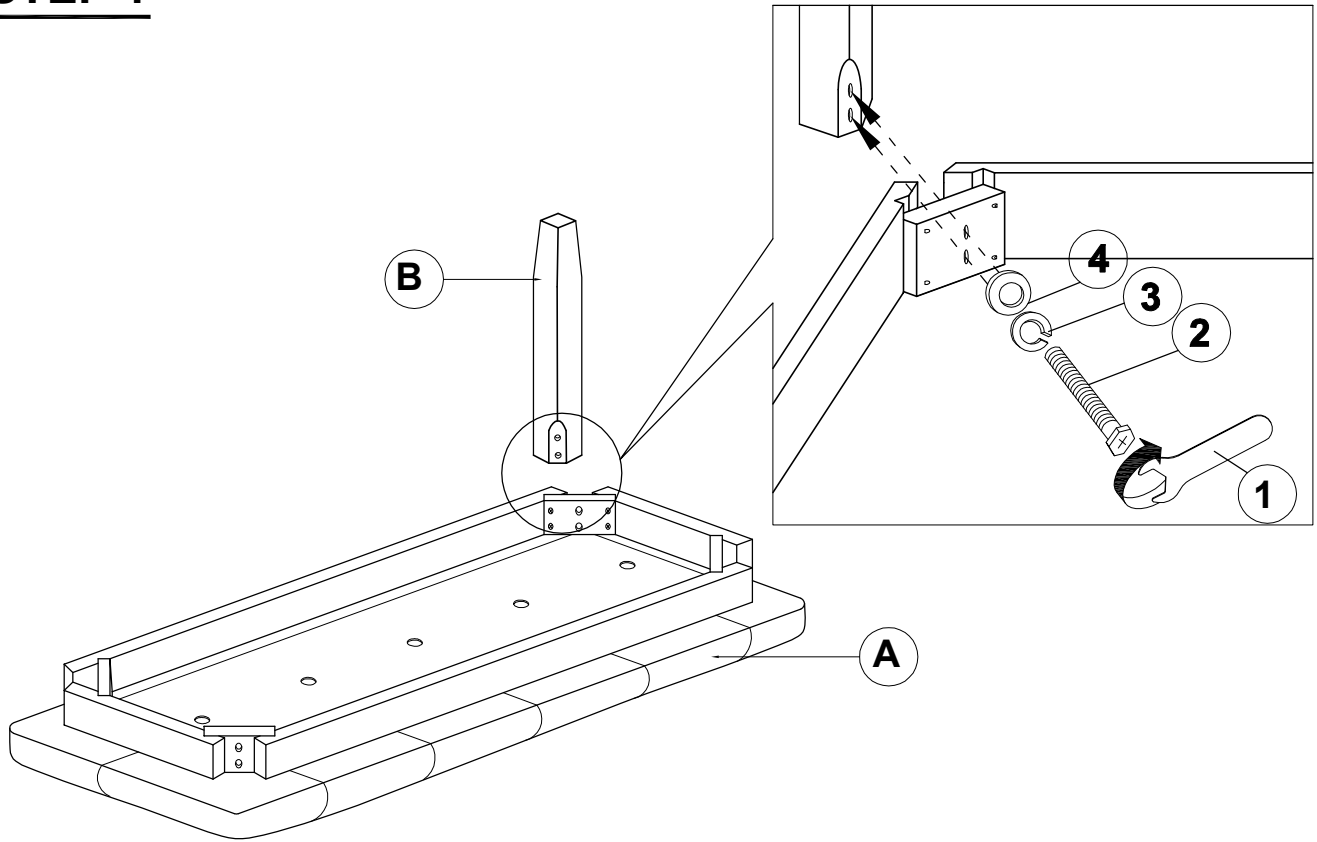
A	SEAT CUSHION WITH FRAME		1PC
B	LEG		4PCS

HARDWARE IDENTIFICATION

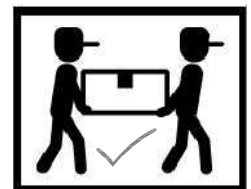
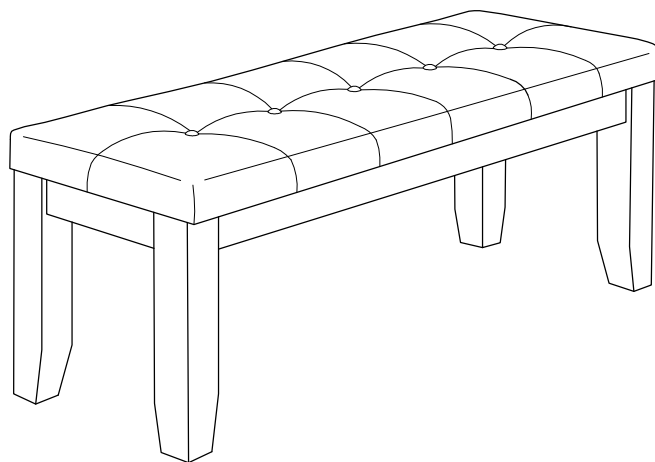
1	WRENCH (12.8mm - RBW)		1PC
2	BOLT (M8 x 60mm - SILVER)		8PCS
3	LOCK WASHER (5/16" - RBW)		8PCS
4	FLAT WASHER (5/16" - RBW)		8PCS

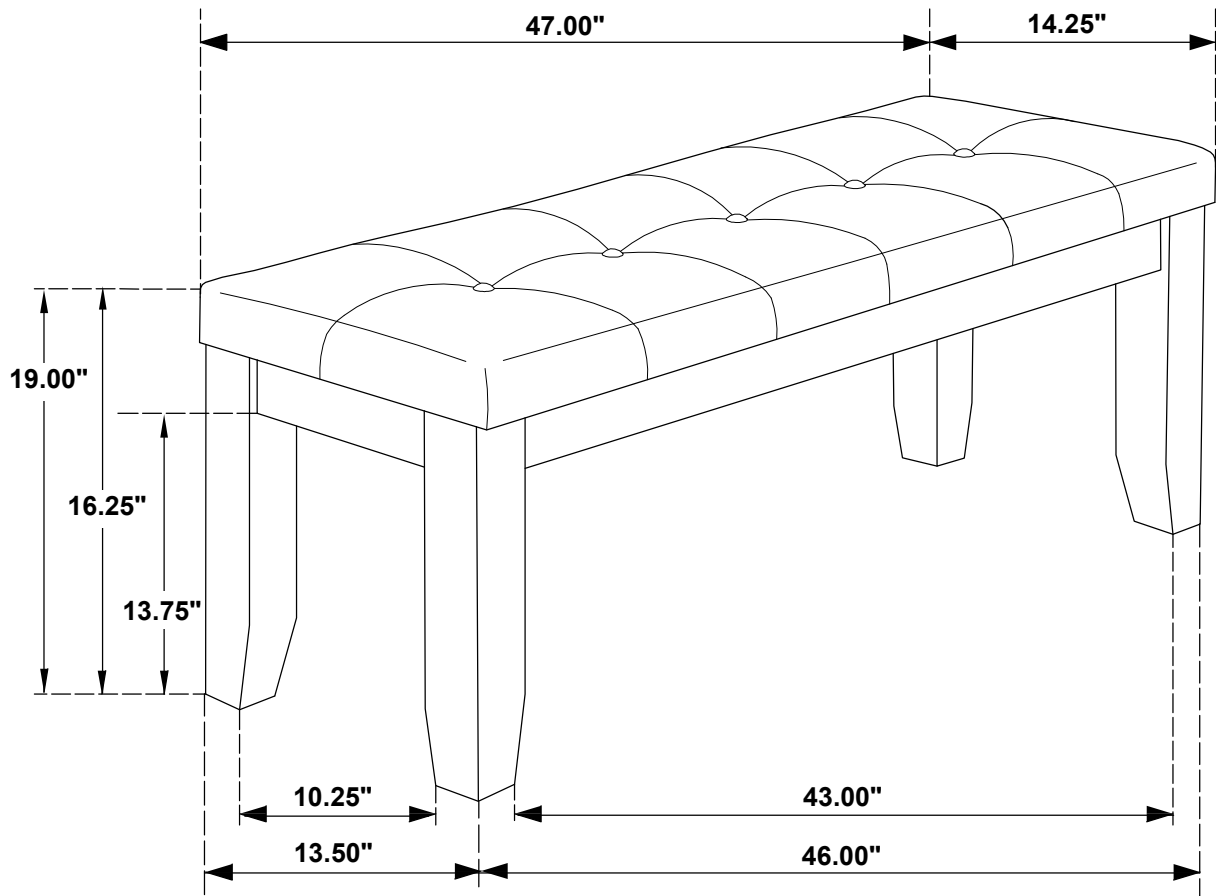
ASSEMBLY INSTRUCTIONS

STEP 1



STEP 2 COMPLETE





Note: Dimension tolerance $\pm 5\%$