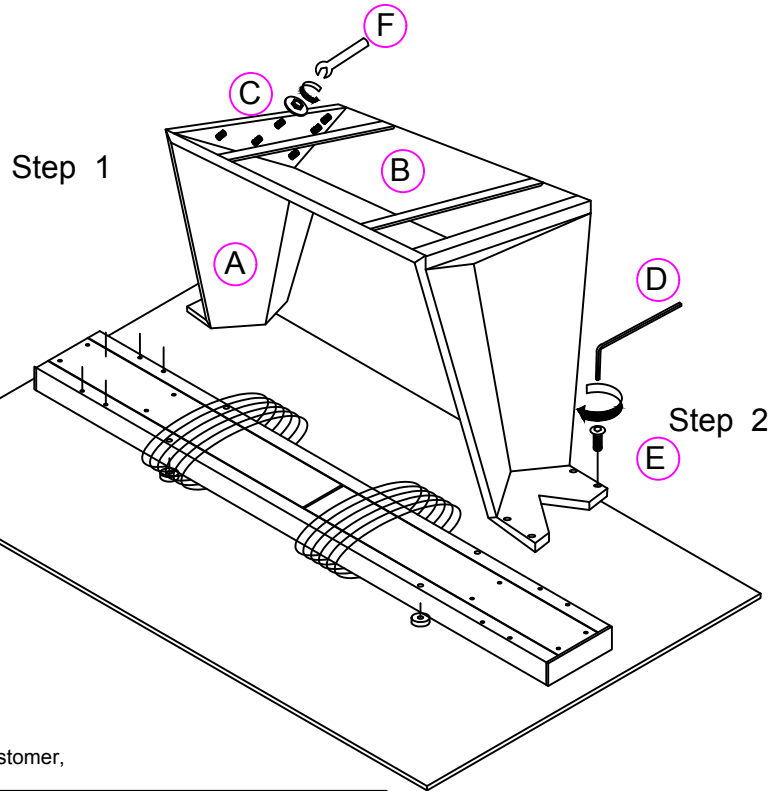


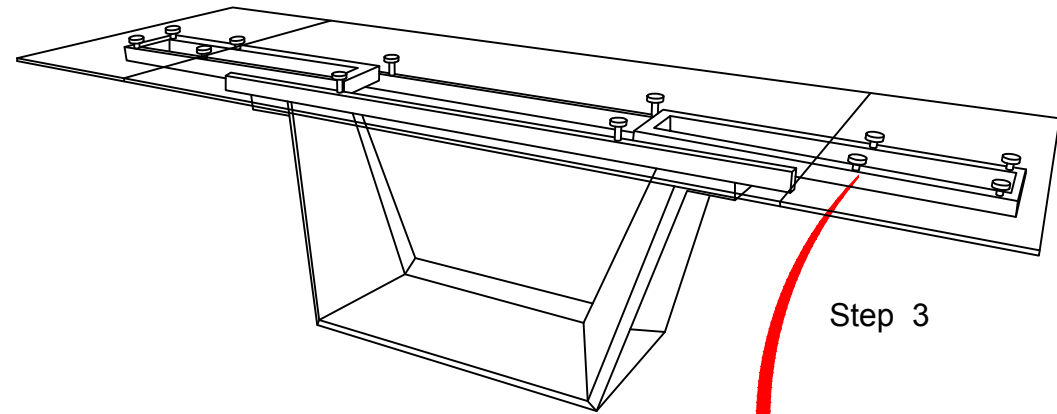


We strong recommendation this installation by qualified licensed plumbers. Moving must hold the table legs.



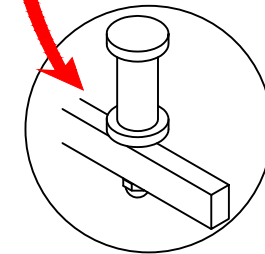
VERY IMPORTANT !!!

Do not throw away packing materials until you sure to use this table. Return must keep original packing.



Step 3

WARNING:
if you find the small glass not flat with the big glass, please adjust here to keep the same level.



Dear Customer,

We design and produce our products for people to love and have fun with them as we do. The product you bought was subjected to all sorts of tests and control before sending out to you.

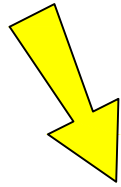
Although all the products are produced and packed carefully, sometimes happen that some component is damaged during the transportation. In such a case please check the missing or damaged part and do not hesitate to contact us via : service@daveefurniture.com

HARDWARE

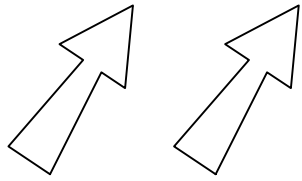
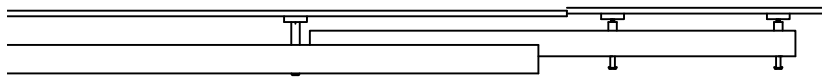
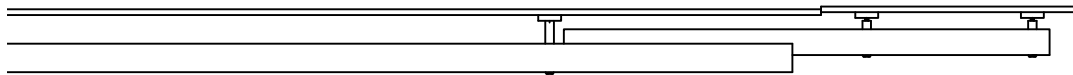
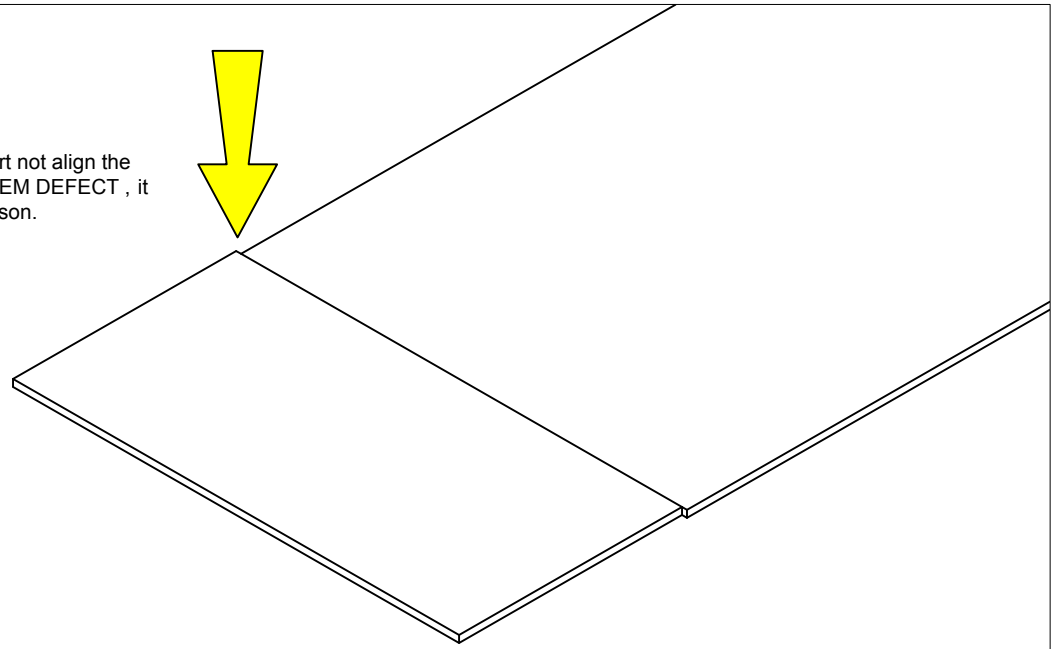
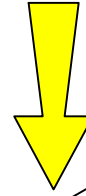
A x 2pcs	B x 1pc	C x 12pcs for legs + base	D x 1pc	E x 8pcs for legs+ slide	F x 1pc



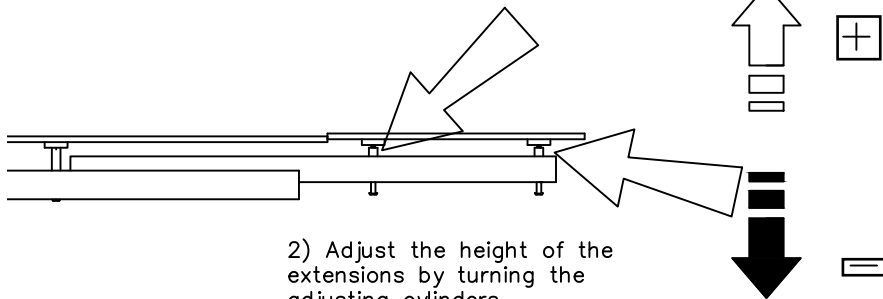
WARNING !!!



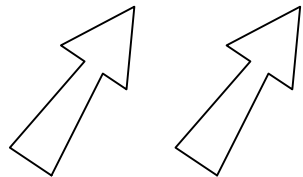
If you find the extension part not align the table top , THIS IS NOT ITEM DEFECT , it is due to transportation reason.



1) loosing the mounting screws without tightening.



2) Adjust the height of the extensions by turning the adjusting cylinders.



3) Then tighten the screws of the extensions.

