

INSTALLATION INSTRUCTIONS

SHOWER DOORS • TUB DOORS

MODELS:

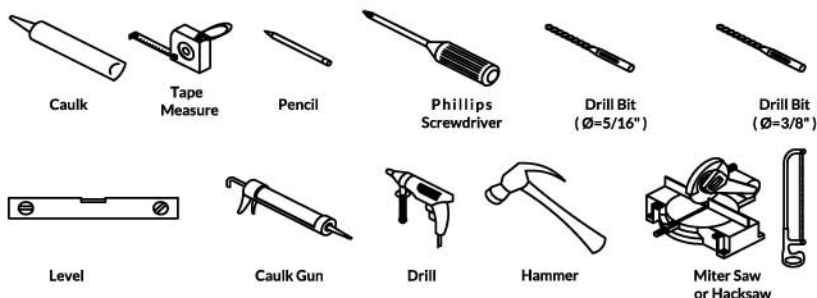
SHOWER ENCLOSURES: LBSED3679

PREPARATION

1. After opening all boxes and packages, read this introduction carefully. Check that all of the needed parts are included in the package by marking all the components on the "Detailed Diagram of Shower Door Components". Examine boxes and packages for shipping damage. If the unit has been damaged, has a finishing defect, or is missing parts, please contact our customer support department to be served immediately. Please note that LessCare will not replace any damaged products or missing parts free of charge after 5 business days or if the product has been installed. Feel free to contact LessCare if you have any questions.
2. Please note that you should consult your local building codes with questions on installation compliance standards. Building and plumbing codes may vary by location, and LessCare is not responsible for code compliance standards for your project and will not accept any returns.
3. Prior to installation, ensure that the installation surface is leveled and solid and will be able to support the total weight of the unit. Also, make sure the walls are at the right angles. Irregular installation surface level or improper angle of side walls will result in serious problems during installation. Please, note that some adjustments and drilling might be necessary during the installation process.
4. **NOTE!** This door does not have out-of-plumb adjustment. Make sure your walls are at right angles.
5. This door requires a minimum 23/4" wide threshold, base or installation space. Please note that Step 6 calls for installation of the door to the wall using anchors. However, the manufacturer strongly recommends installing these heavy doors to the studs or to preinstalled 2" x 6" wood reinforcements behind the wall and attach the Wall brackets to it.

Attention: This door is extremely heavy and requires professional installation. Instructions are given for the shower door installation. Please, follow the same instructions to install the tub door.

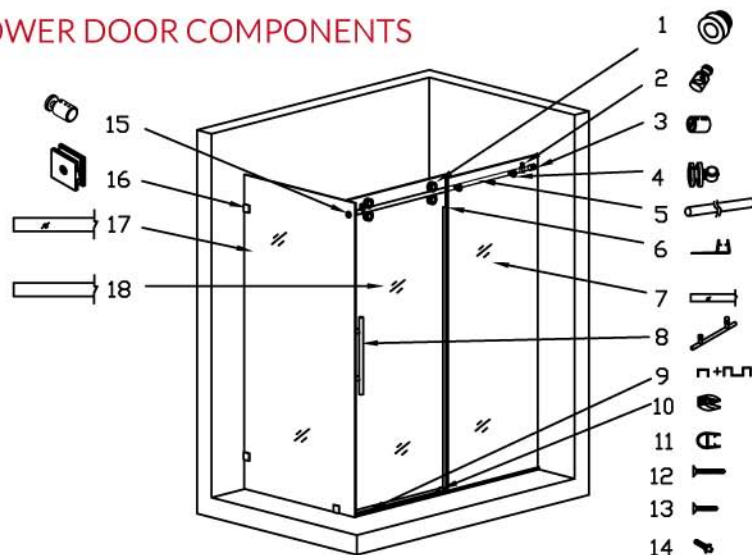
TOOLS REQUIRED



NOTE: Unpack your unit carefully and inspect it. Lay it out and identify all parts using parts diagram and part list in your manual as a reference. Before discarding the carton, check for small hardware bags that tend to fall to the bottom of the box. If any parts are damaged or missing, please contact the retail store where you have purchased the product.



SHOWER DOOR COMPONENTS



1	Rollers	2 pcs
2	Glass Stopper	2 pcs
3	Guide Rail Bracket for wall	1 pc
4	Glass Bracket	2 pcs
5	Upper Guide Rail	1 pc
6	Anti-Water Strip	1 pc
7	Fixed Glass	1 pc
8	Handle	1 pc
9	Anti-Splash SS Threshold	1 pc
10	Guide Block	1 pc

11	A-shape Strip	1 pc
12	Countersunk Screw M4x45	3 pcs
13	Countersunk Screw M4x25	3 pcs
14	Wall Anchor	6 pcs
15	Guide Rail Bracket for Side Panel	1 pc
16	Wall Mount Clip	3 pc s
17	Side Panel	1 pc
18	Glass Door	1 pc

RETAIN THESE INSTALLATION INSTRUCTIONS FOR FUTURE REFERENCE!

INSTALLATION INSTRUCTION

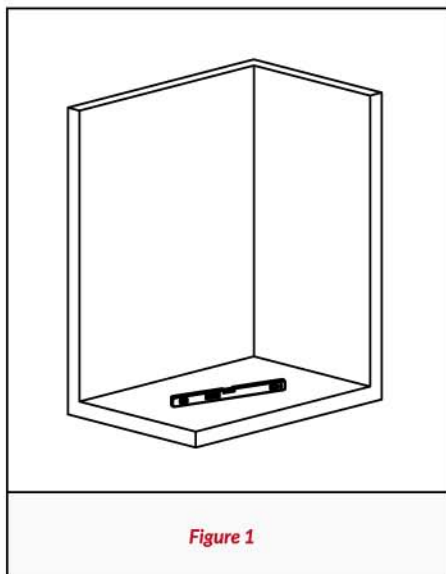


Figure 1

A. This unit requires a minimum 2.75" wide threshold, shower base or installation space.

See **Figure 1** for details.

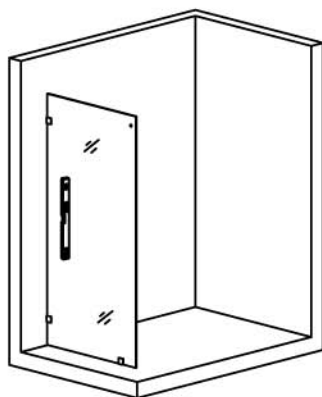
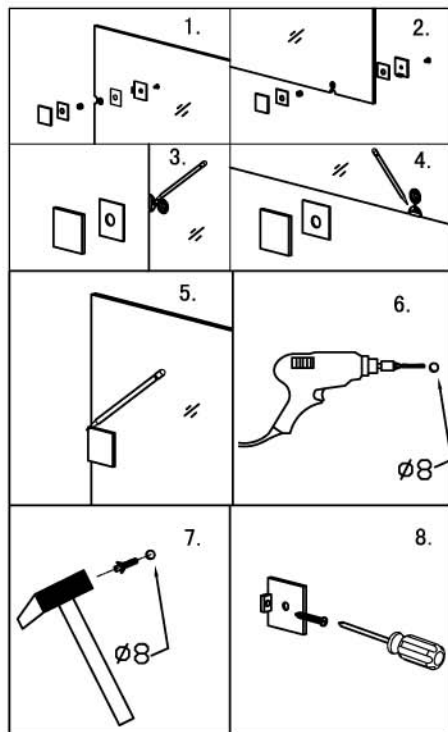


Figure 2

B. Attach the **wall mount clip (16)** to the **side panel (17)**. Butt up the **side panel (17)** against the back wall.

Outline the position of the **wall mount clip (17)** on the wall and the floor.

Set the **side panel (17)** aside. Remove the wall mount clip (16) from the **side panel (17)**, placing them back to the outlined positions, mark the hole for drilling.

Now drill the holes on the wall and floor with drill bit (dia 8mm), insert the **wall anchor (14)**. Mount the **wall mount clip (16)** to the wall using **countersunk screw M4x45 (12)** and to the floor using **countersunk screw M4x25 (13)**.

See **Figure 2** for details.

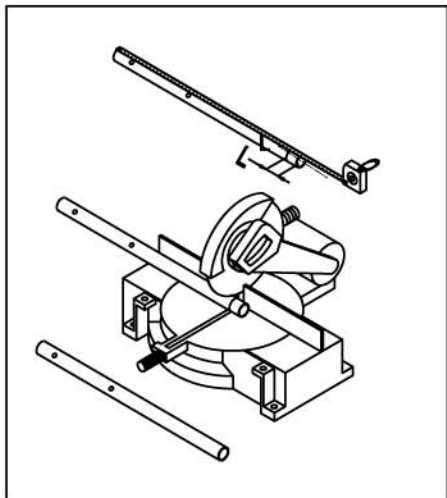


Figure 3

C. Your upper guide rail (5) and anti-splash SS threshold (9) have been precut for your shower model opening width: 48" or 60" or 72". If W-width of your wall to side panel (17) opening is equal to the size of your shower model, it is not necessary to cut the guide rail and threshold and you can continue to step C.

If W width of your wall to side panel opening is less than the size of your shower model, you will need to cut the guide rail (from the end which is farther from the glass bracket (9)) and the threshold. The end to cut off will be L:

$L = \text{Subtract } W \text{ from the size of your shower model}$

See **Figure 3** for details.

Example: If the wall opening $W=47"$.

Your shower door width is 48".

$L=48" - 47"=1"$. You have to cut 1" off from the upper guide rail and the anti-splash aluminum threshold.

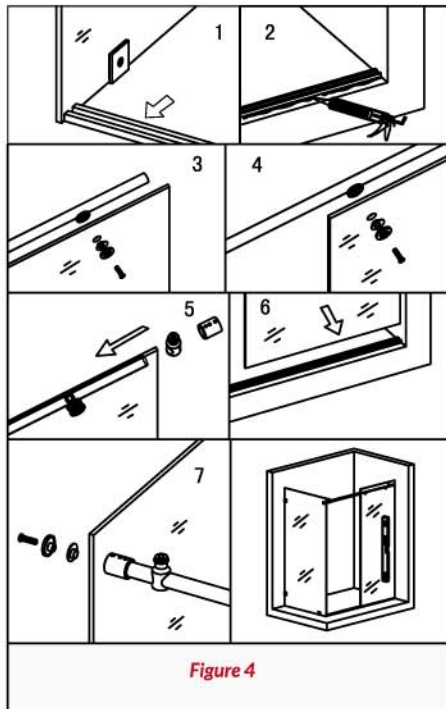


Figure 4

D. Place the **Threshold (9)** into the designated position, parallel to the back wall.

Secure the threshold to the floor with silicone.

Attach the **upper guide rail (5)** to the **fixed glass (7)** with glass bracket (4) and tighten the screws.

Slide the **glass door stopper (2)** on each end of the **upper guide rail (5)** and secure them temporarily.

Slide the **guide rail bracket (3)** to the end of the **upper guide rail (5)** which connects to the wall. Secure them temporarily as well.

Place the **fixed glass (7)** into the groove of the **threshold (9)** and butt it against the wall. Slide the **guide rail bracket (15)** to the **upper guide rail (5)** which connects to the **side panel (17)**, fasten the **guide rail bracket (15)** to the **side panel (17)** temporarily.

See **Figure 4** for details.

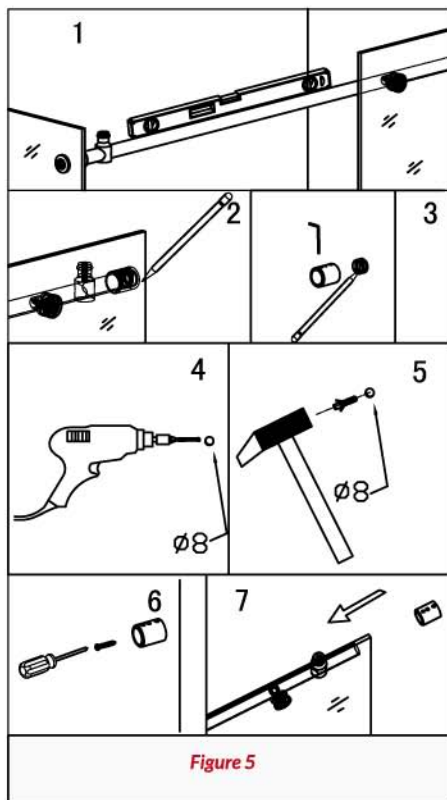


Figure 5

E. Make sure the **fixed glass (7)** and the **upper guide rail (5)** are leveled. If a horizontal adjustment is required, adjust it in the **glass bracket (4)**.

Outline the **guide rail bracket (3)** position on the wall. Put the **fixed glass (7)** aside.

Remove the **guide rail bracket (3)** from the **upper guide rail (5)**, place the bracket to the wall outlined position on the wall and mark the drilling hole. Now drill the hole with drill bit dia 8mm and insert the **wall anchor (14)**.

Fasten the guide rail bracket (3) to the wall with **countersunk screw M4x45 (12)**.

See **Figure 5** for details.

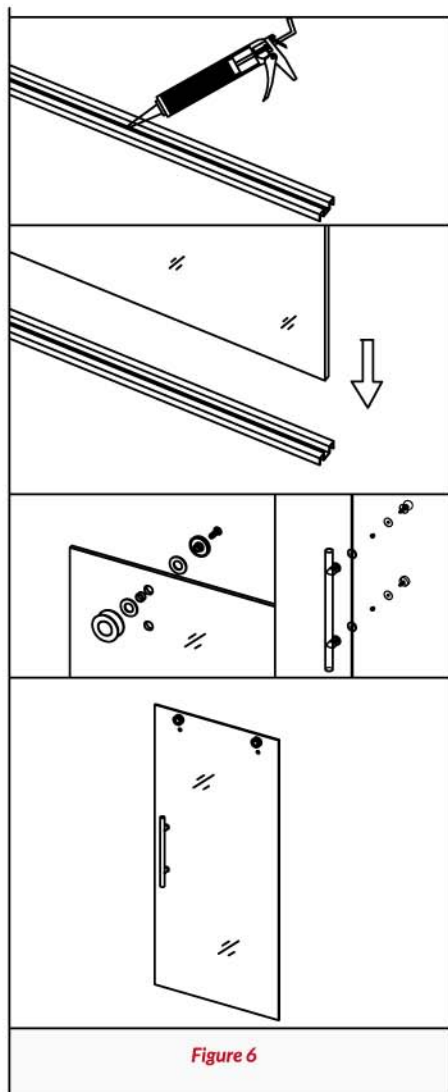


Figure 6

F. Apply a small amount of silicone into the threshold (9) channel.

Place the fixed glass (7) back in position and attach both guide rail brackets (3) (15) to the wall and side panel (17).

Install the rollers (1) to the glass door (18) and the handle (8) to the glass door (18) as well.

See **Figure 6** for details.

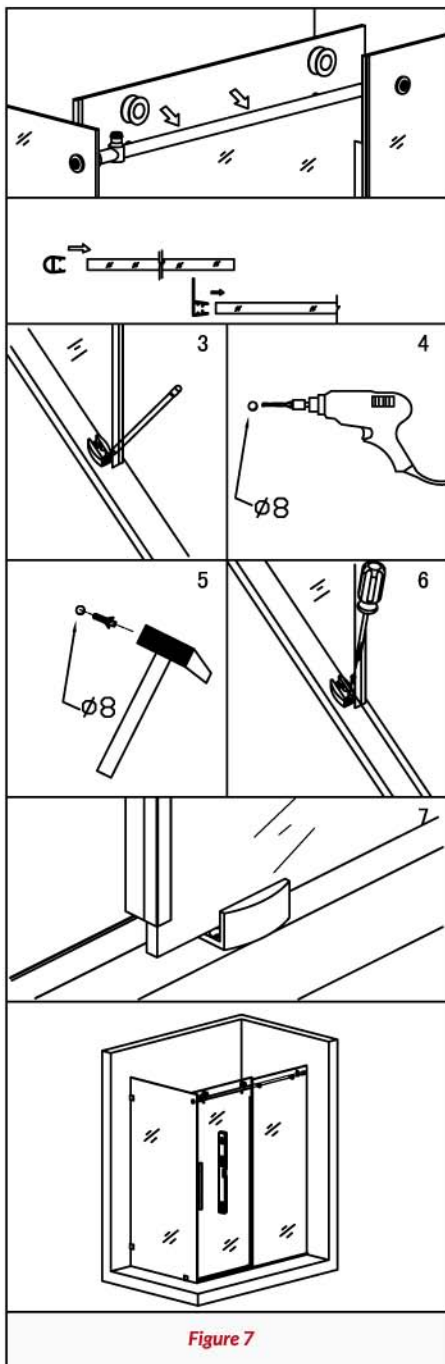


Figure 7

G. Suspend the glass door (18) by hanging the rollers (1) onto the upper guide rail (5). Slide the A-shape strip (11) and anti-water strip (6) to the glass door (18). Slide the **guide block (10)** to the bottom edge of the **glass door (18)**, make sure the **guide block (10)** is at the central position of the **glass door (18)**. Now, outline the position of the **guide block (10)**, put the glass door aside and mark down the drill hole for drilling. Drill the hole with drill bit ($\Phi 8\text{mm}$) and insert the **wall anchor (14)**, fasten the **guide block (10)** to the floor with the **countersunk screw M4x25 (13)**.

See Figure 7 for details.

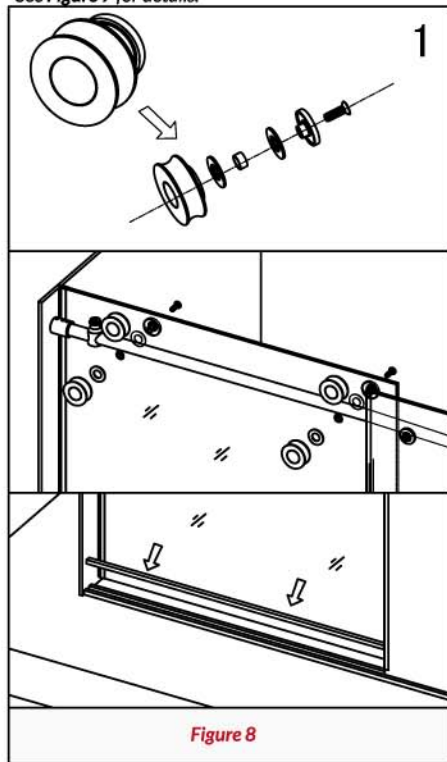
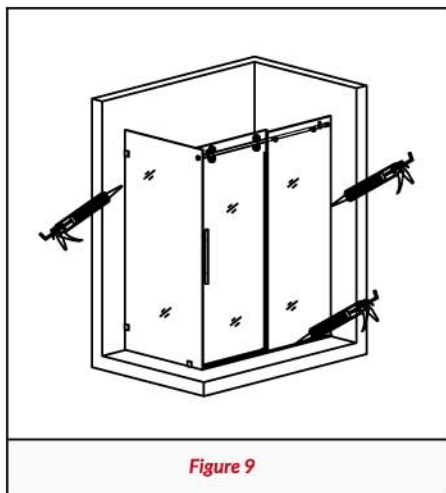


Figure 8

H. Mount the two lower rollers (1) onto the glass door (18) to secure the glass door (18) to the upper guide rail (5). Cover the threshold (9) groove with the threshold cover. Adjust the fasteners on both top rollers (1) to ensure that the bottom edge of the glass door (18) will not touch the bottom of the guide block (10).

See Figure 8 for details.



I. Seal with silicone caulk between wall, glass and tray or ground.

WAIT 24 HOURS BEFORE USING THE SHOWER ENCLOSURE

See *Figure 9* for details.

PRODUCT MAINTENANCE

To ensure long lasting life of your glass shower products, wipe them off after each use with a soft cloth. Rinse and wipe off the glass using either soft cloth or squeegee to prevent soap buildup. Never use abrasive cleaners and cleaning products that contain scouring agents as this may scratch the surface. Never use bristle brushes or abrasive sponges.

To ensure a long lasting hardware finish, wipe off the metal parts after each use with a soft cloth. Do not use abrasive cleaners or cleaning products containing ammonia, bleach or acid. If accidentally used, rinse the surface as soon as possible to prevent finish peeling or corrosion. After cleaning the shiny finishes, rinse thoroughly and wipe dry with soft cloth. Clean stainless steel surfaces at least once a week. When applying stainless steel cleaner or polish, work with (not against/across) the grain. Never use an abrasive sponge or cloth, steel wool or wired brushes.