

Assembly Instruction

HDPE Bar Table

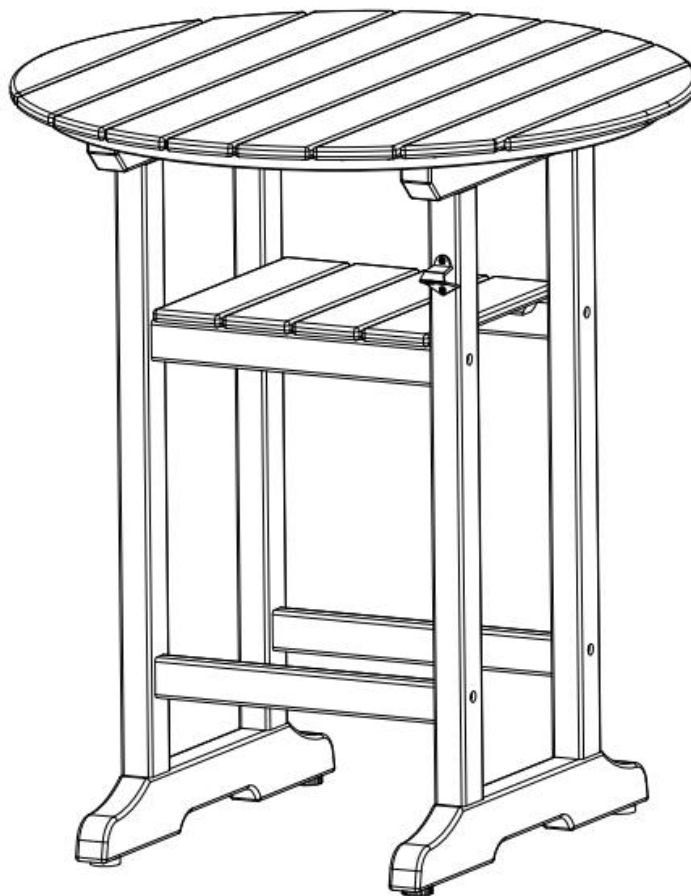
Your furniture requires assembly prior to use. It is important that you read the entire assembly instructions to become familiar with the unit before you set up this product.

Safety Warning and Precautions

WARNING: When setting up your furniture, basic precautions should always be followed to reduce risk of personal injury and damage to the product.

Read all instructions before assembly and usage this product.

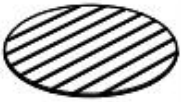











1. Select ideal location. Set out all parts on a clear and level surface prior to assembly. Ideally, the furniture should be set up in the desired location to avoid moving it after assembly.
2. Use caution. During all the processes of assembling, especially when lifting heavy or large parts, pay attention to safety.
3. Tools and Assistance. An adjustable spanner is required for assembly. It is recommended 2 people assist with assembly.
4. Check all parts before assembling, ensure you have all parts detailed in the parts list on Page 2.
5. Refer to assembly diagram. During assembly, refer to the assembly instructions on following pages.
6. Caution. Keep children away from work area during assembly. Do not allow children to handle parts or tools while assembling.



Assembly Instruction

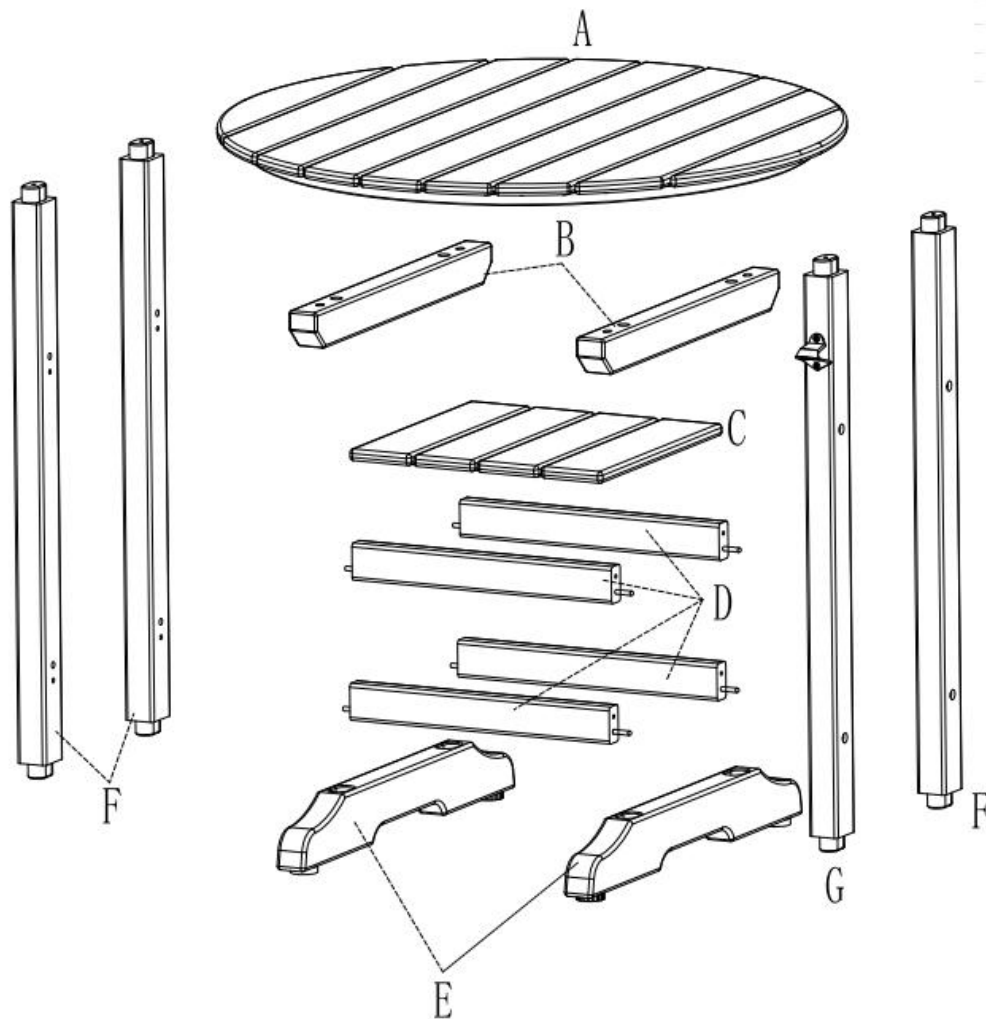
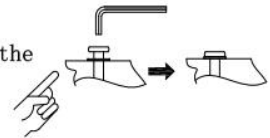
HDPE Bar Table

FITTINGS IDENTIFICATION

A	B	C	D	E	F	G
						
1PCS	2PCS	1PCS	4PCS	2PCS	3PCS	1PCS
H665	M665	X	Y	Z		
						
H6*65	M6*65	$\phi 16*\phi 6.5*1.0$	M5	M4		
16PCS	4PCS	4CS	1PCS	1PCS		



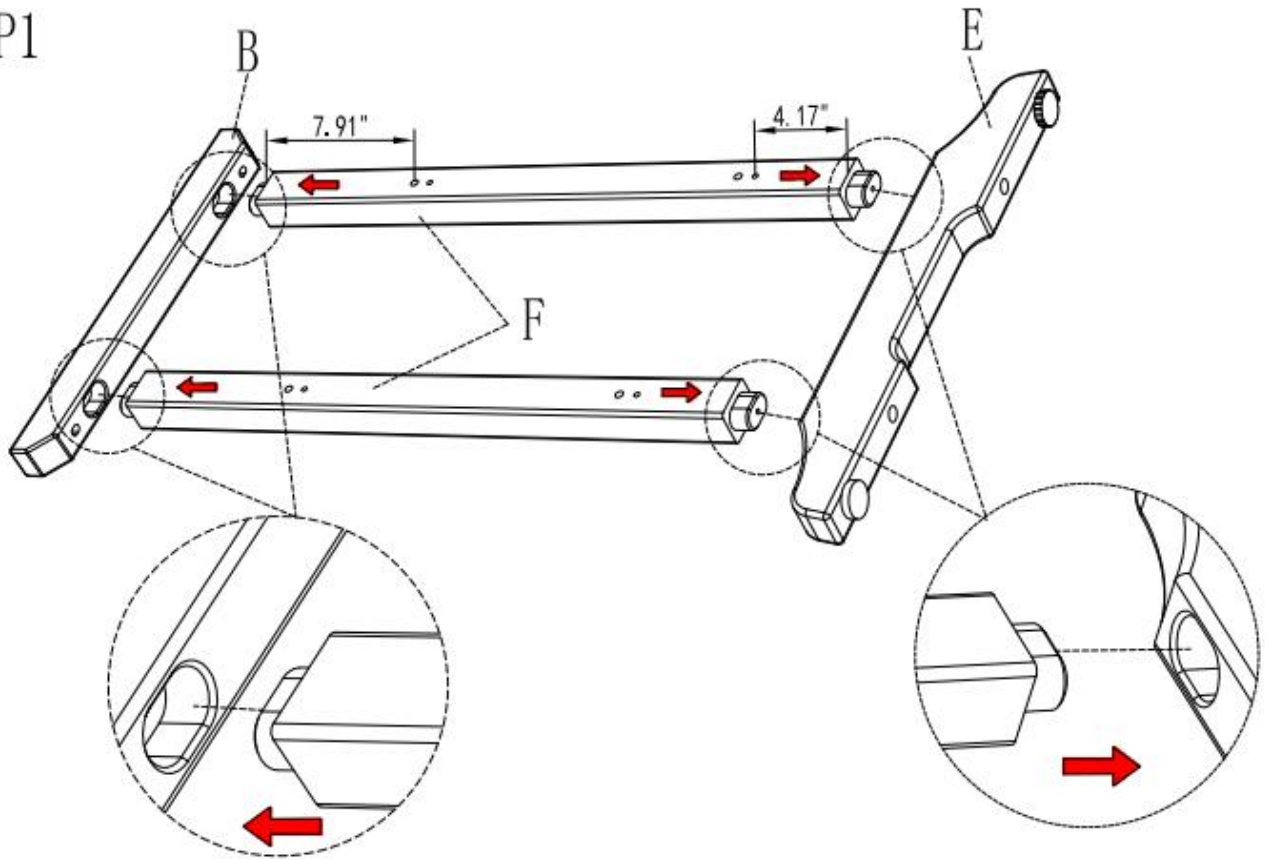
CAUTION: Pre-assemble all the bolts loosely but do not fully turn the bolts into their holes until all bolts are inserted in their holes.



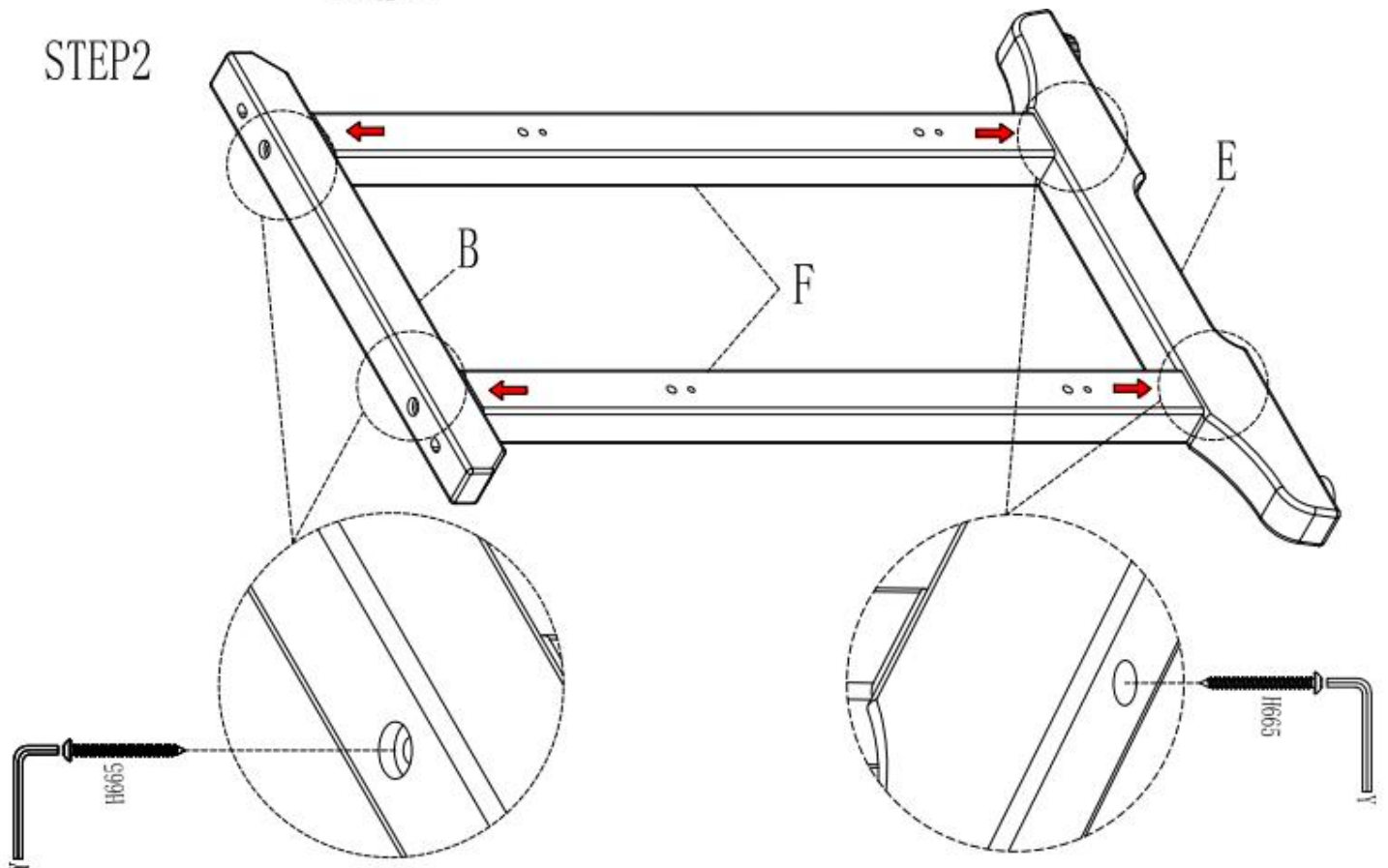
Assembly Instruction

HDPE Bar Table

STEP 1

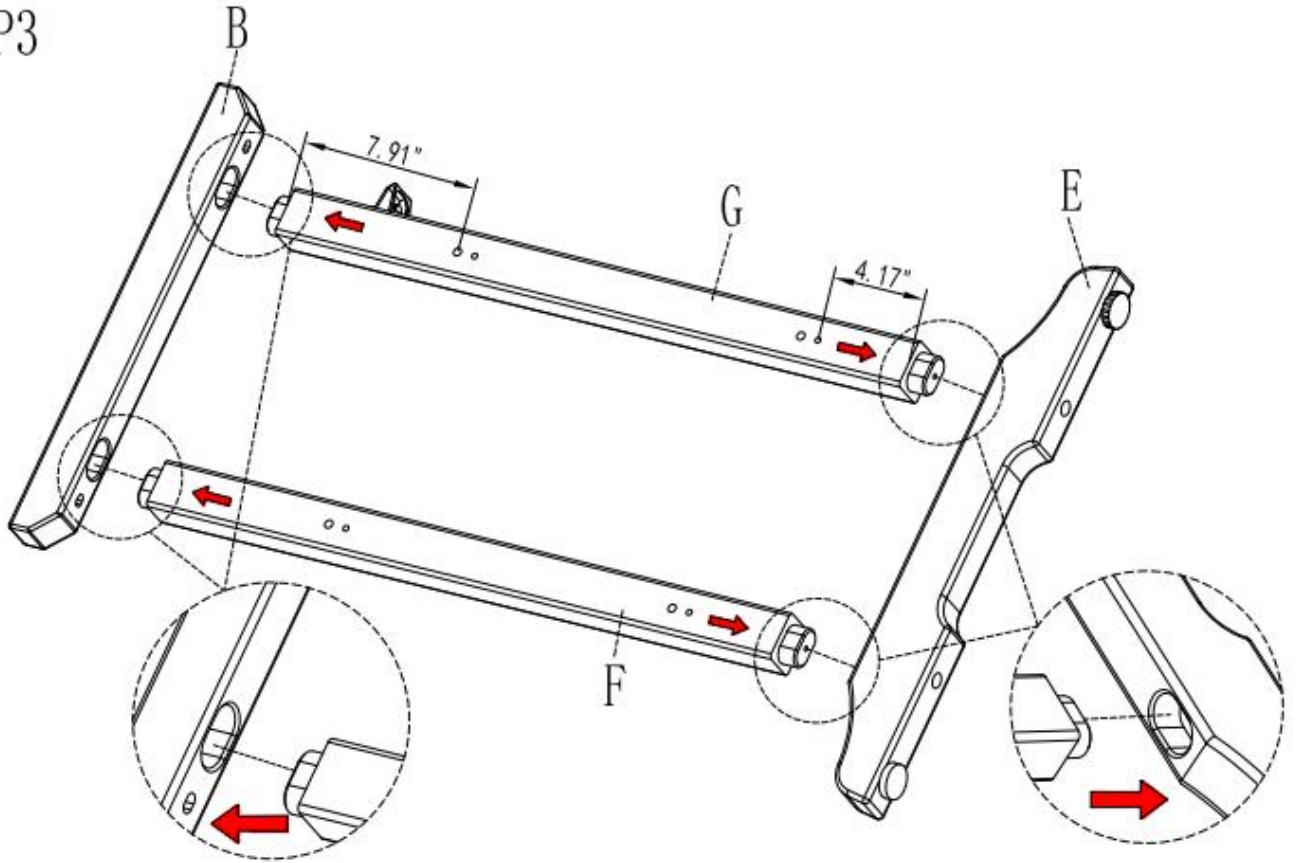


STEP 2

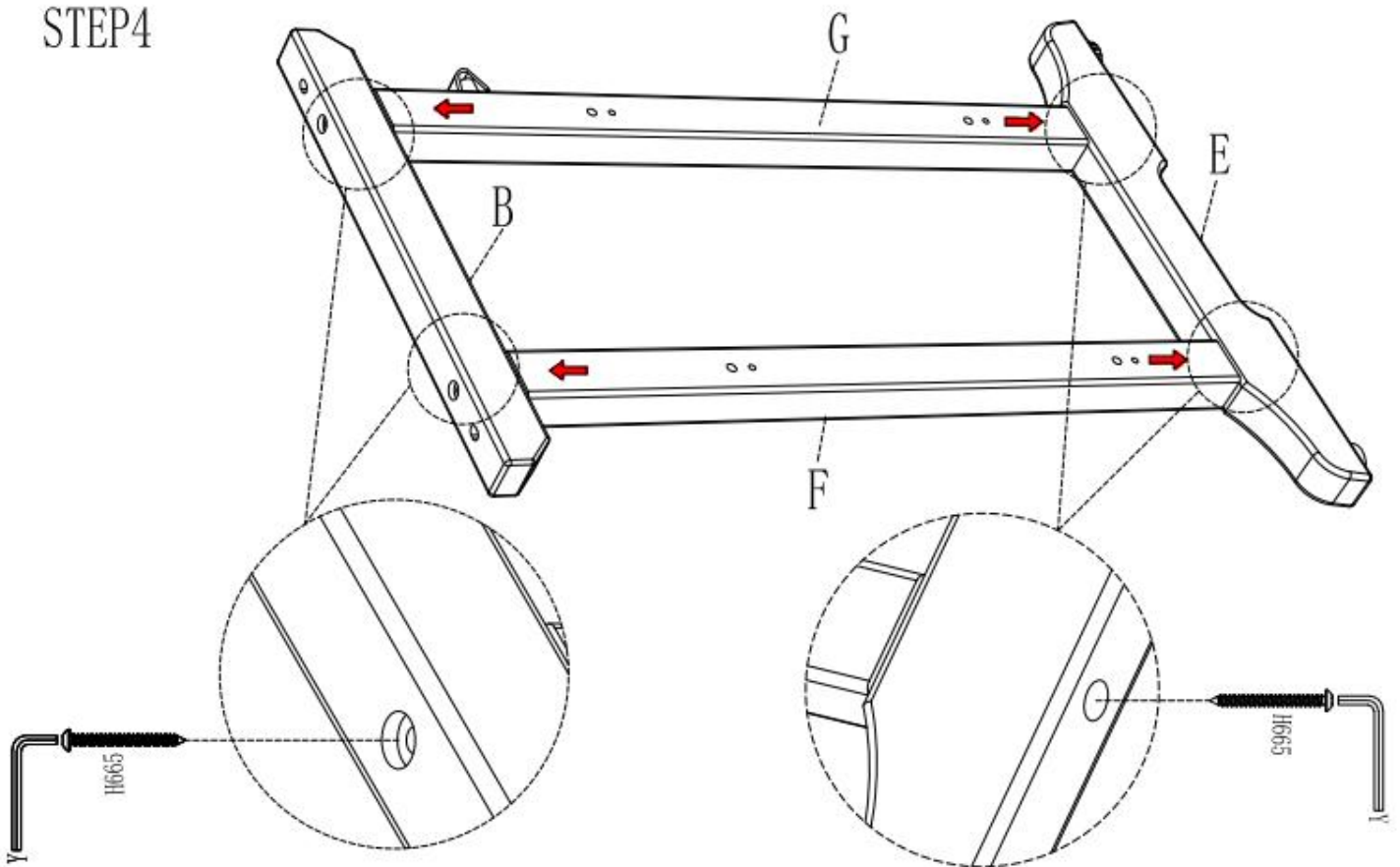


Assembly Instruction

STEP3

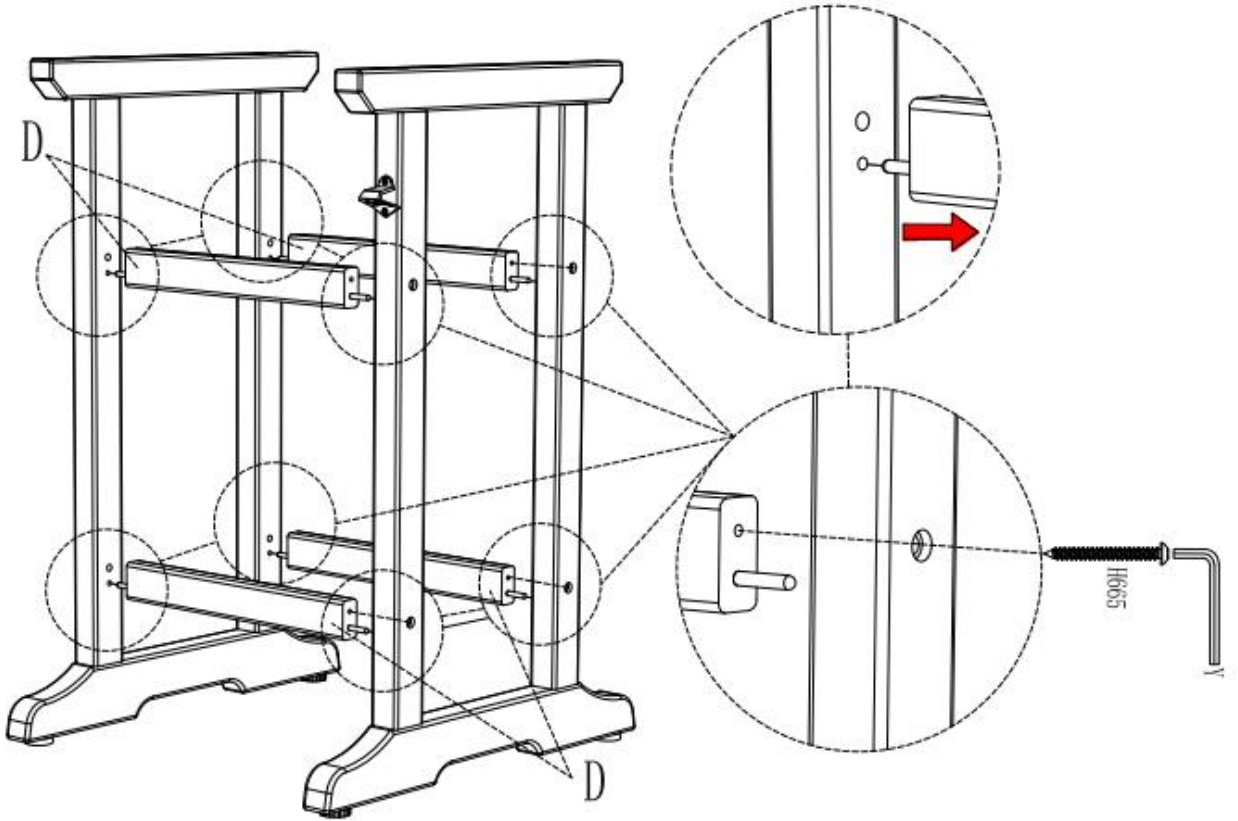


STEP4

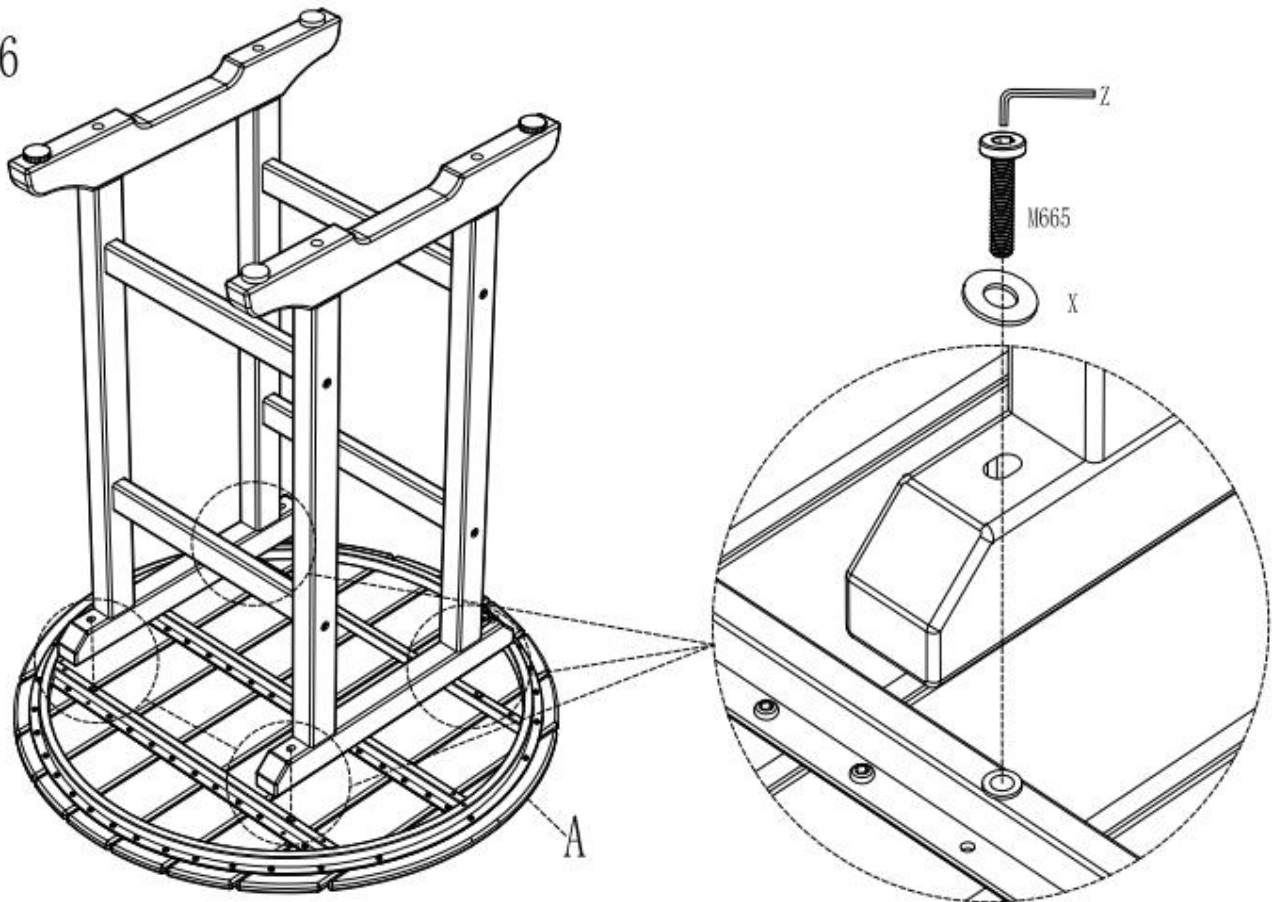


Assembly Instruction

STEP5

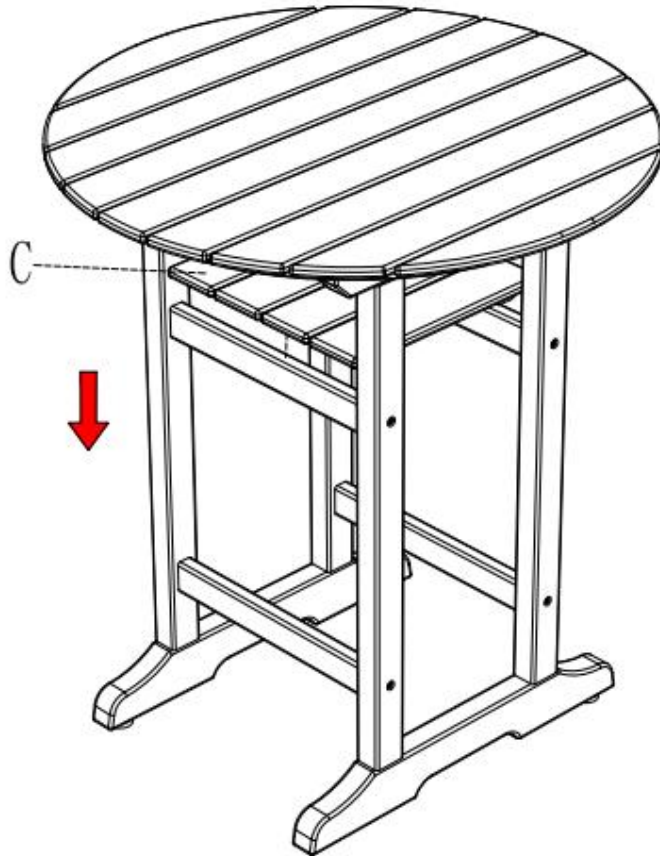


STEP6

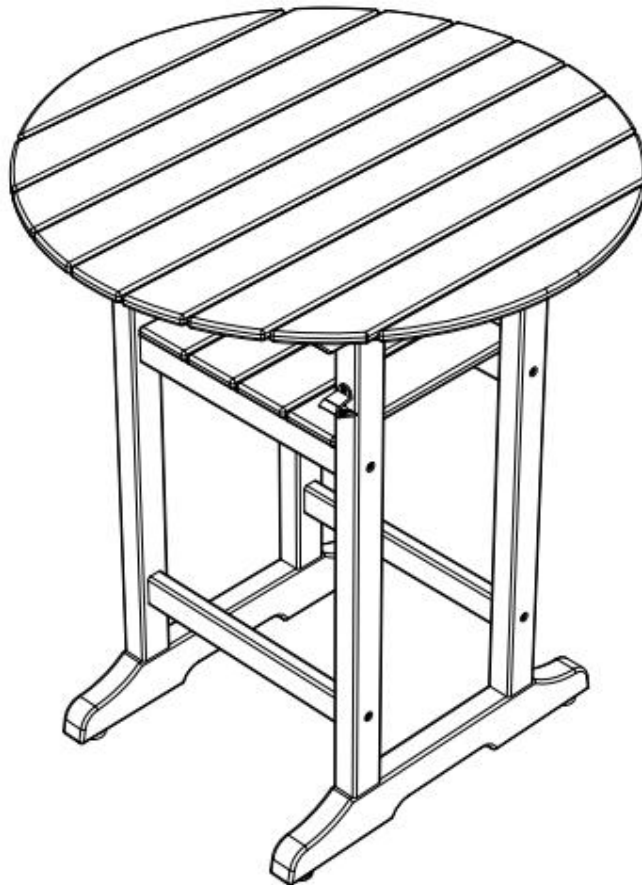


Assembly Instruction

STEP7



STEP8



Assembly Instruction

Steps:

1. Attach the Part B&E to the Part F with Screw H6*65 (Part H665) by using the Allen Wrench (Part Y).
2. Attach the Part B&E to the Part G&F with Screw H6*65 (Part H665) by using the Allen Wrench (Part Y).
3. Attach the Part D to the assembled left and right table legs with Screw H6*65 (Part H665) by using the Allen Wrench (Part Y).
4. Attach the assembled table base to the Part A with Screw M6*65 (Part M665) by using the Allen Wrench (Part Z).
5. Place Part C under the desktop, kindly see the STEP 7 in the above picture.
6. Tighten all screws. Your Bar Table is ready to use. (Note: Pre-assemble all the bolts loosely but do not fully turn the bolts into their holes until all bolts are inserted in their holes.)
7. Periodically check and make sure that all screws are fully tightened.