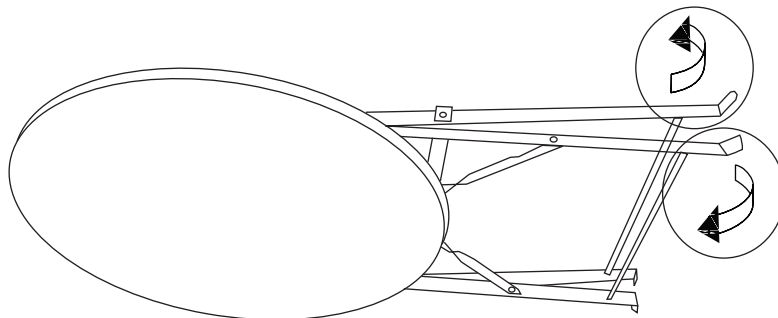
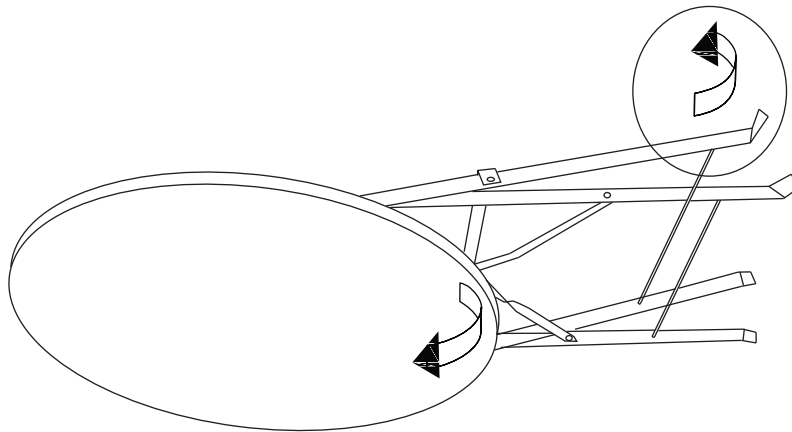
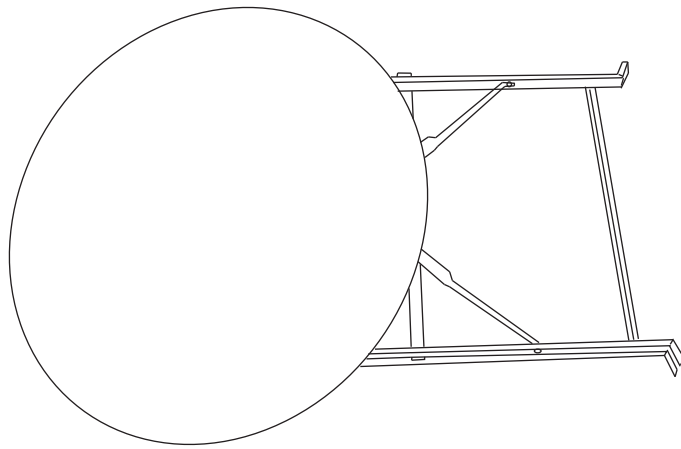
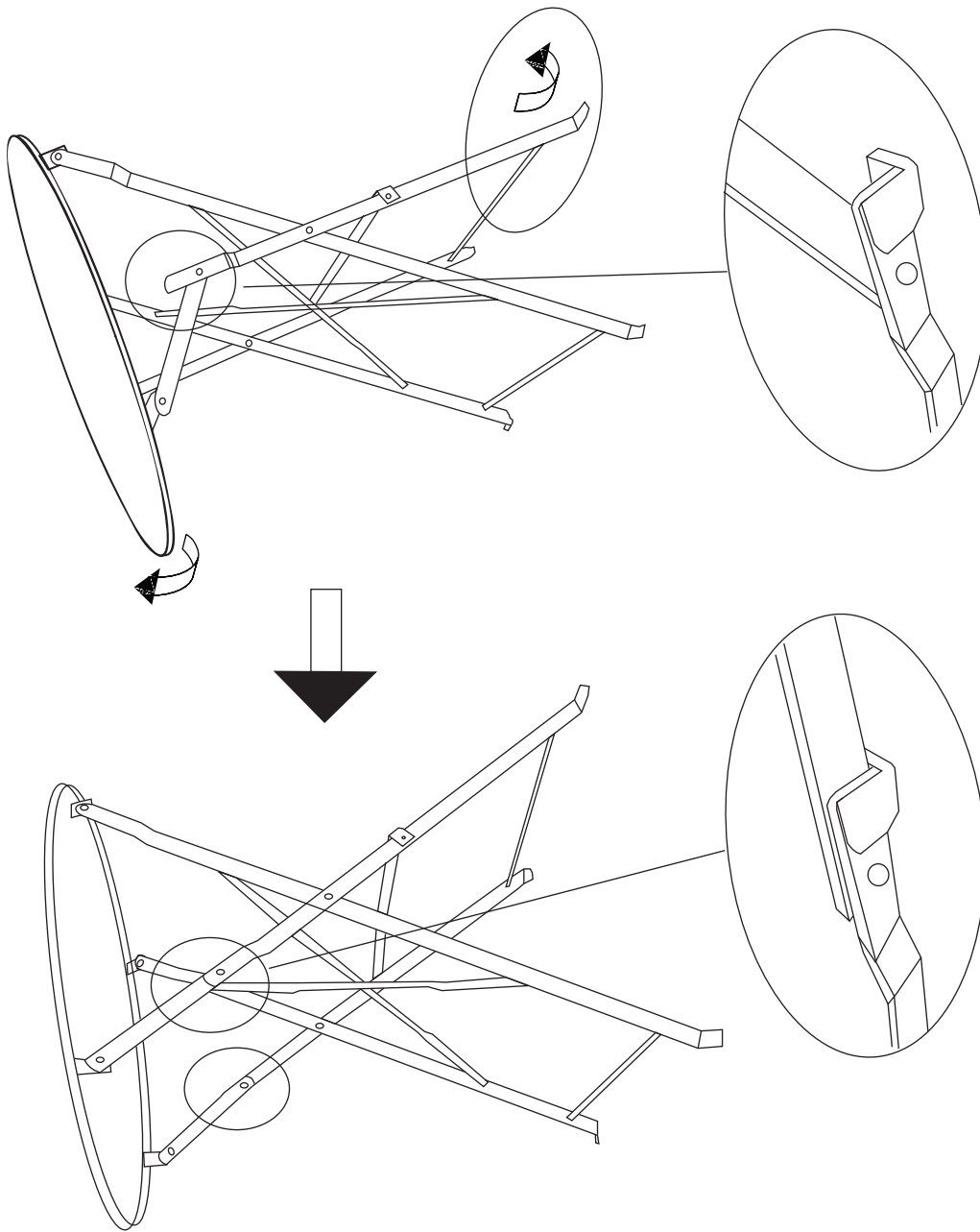


Assembly Instructions

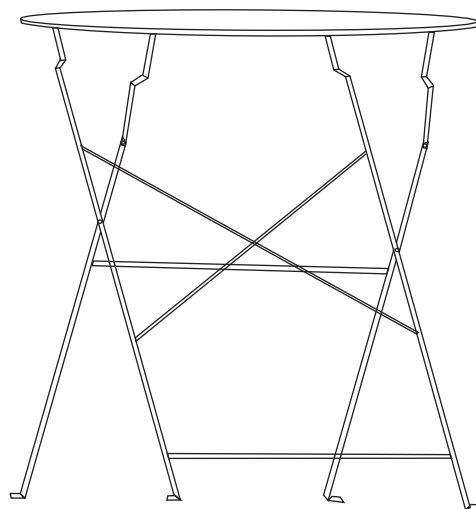
STEP 1: Unfold the legs and table top as the 2 arrows shown, refer to the correct step.



STEP 2: Unfold the legs and table top until the legs are locked in the correct position.



STEP 3: Carefully turn the table over.



Note: If you need to fold the table, please follow above steps in reverse order.