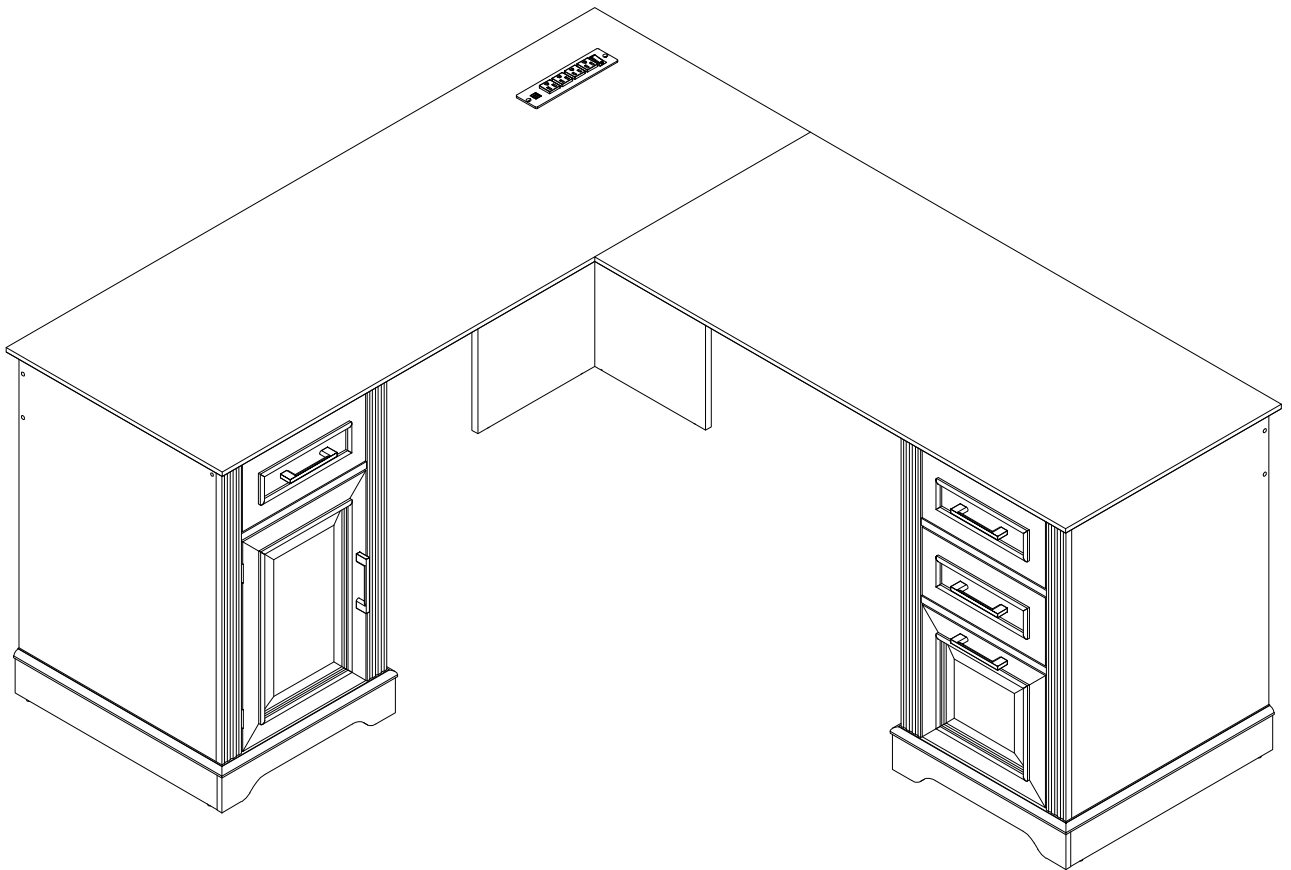
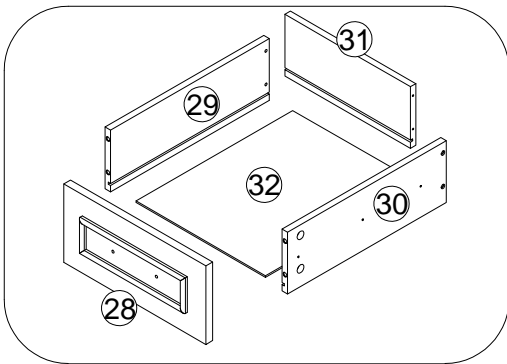
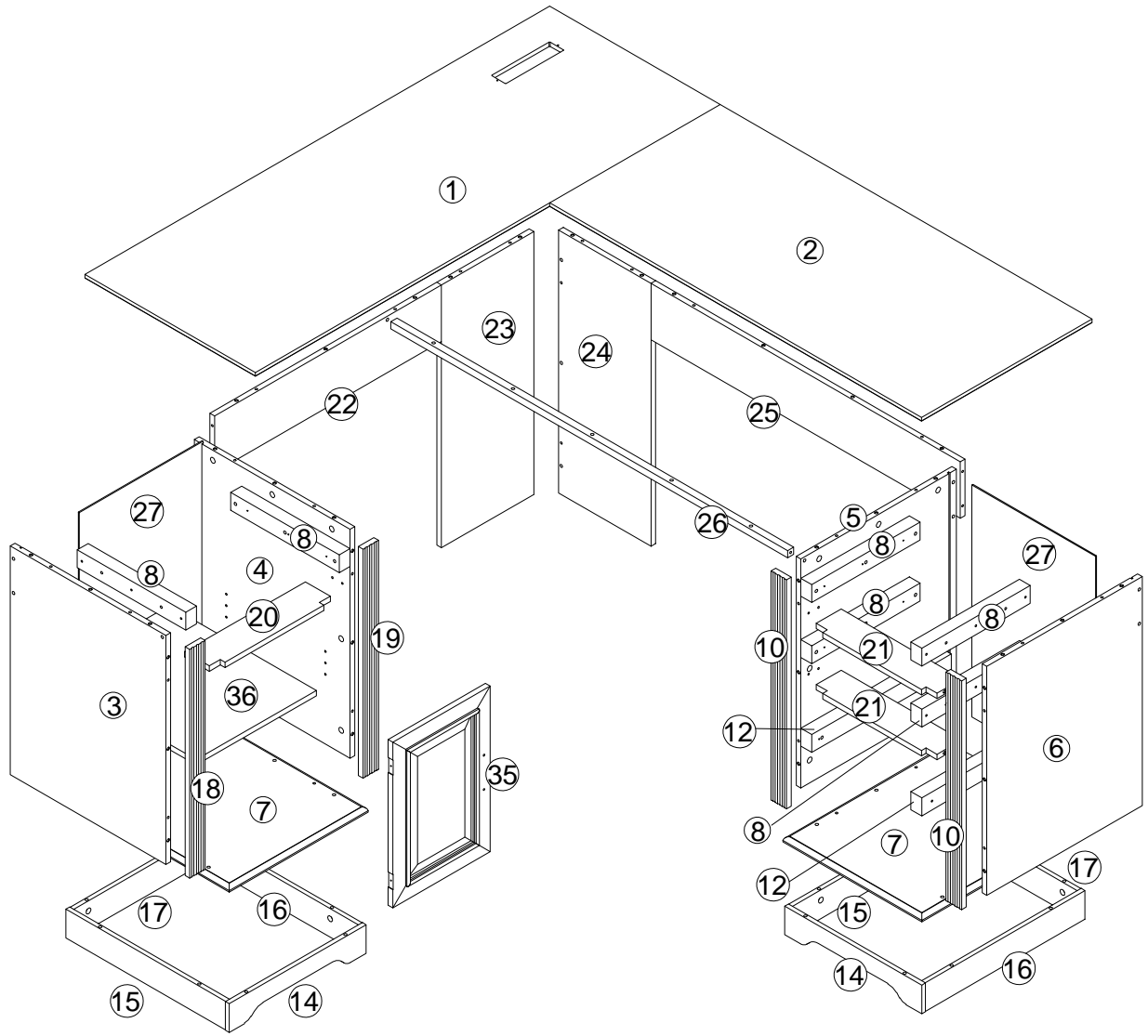


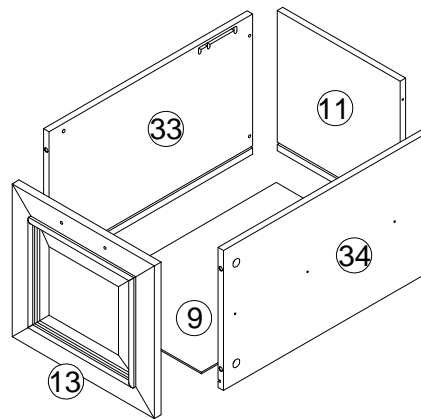
Please note that this product is divided into two boxes, A and B. Boxes A and B may not arrive at the same time. Please be patient and wait



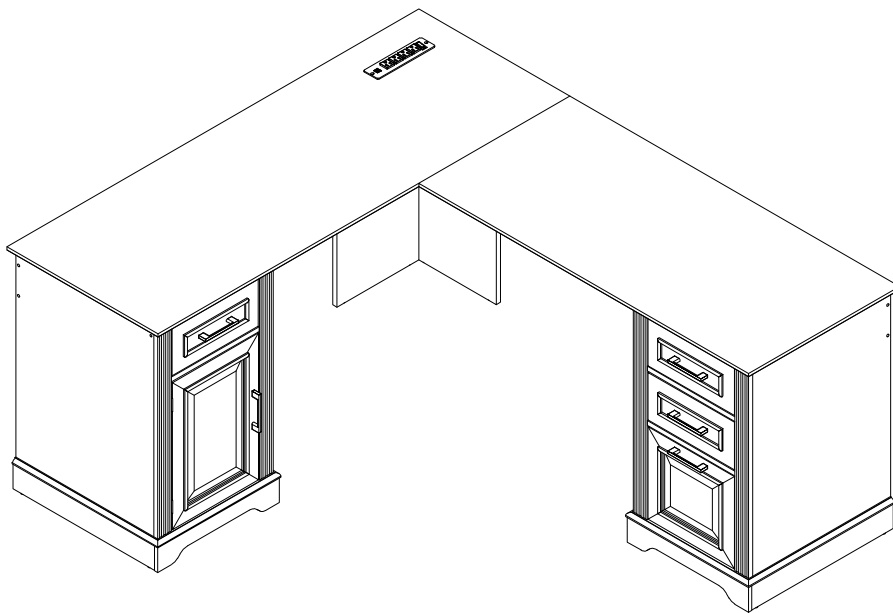
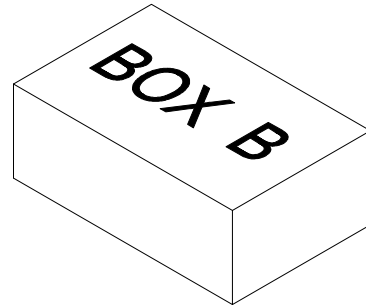
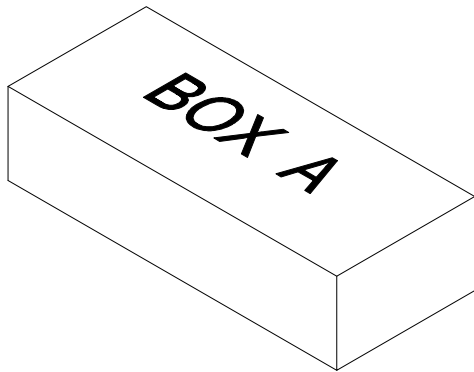
ASSEMBLY INSTRUCTIONS



x 3

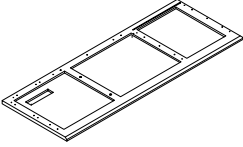
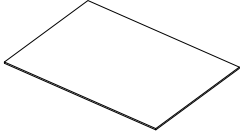
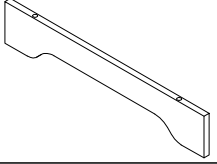
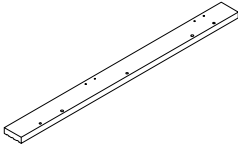
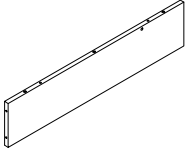
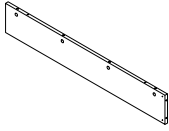
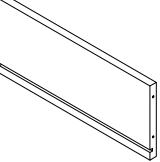


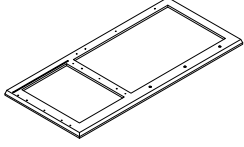
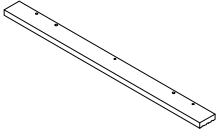
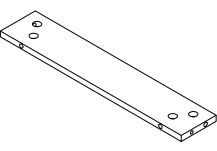
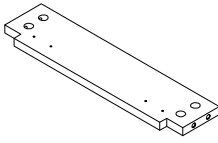
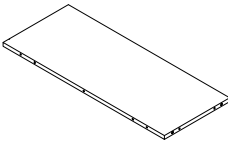
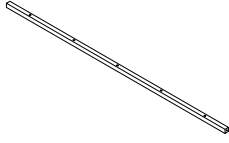
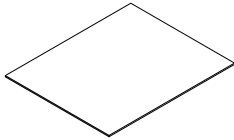
ASSEMBLY INSTRUCTIONS

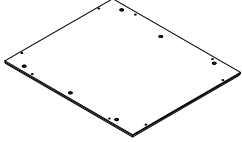
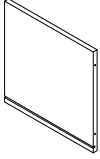
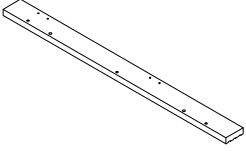
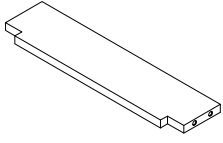
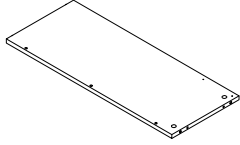
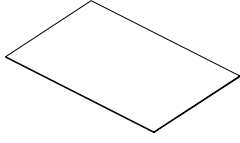
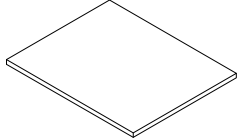


This product has two packages, box A and box B. Only the parts in the two packages can complete the entire table. Please be sure to start the installation after the two packages arrive

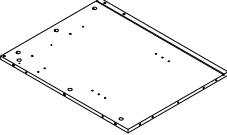
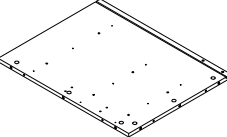
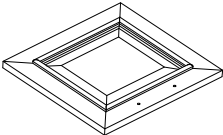
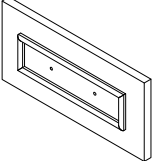
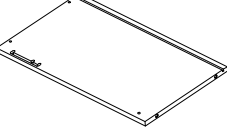
BOX : A

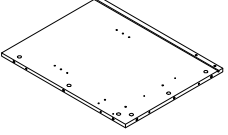
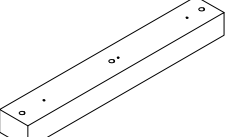
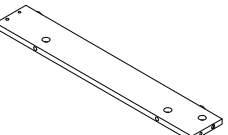
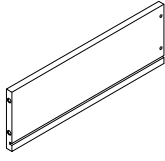
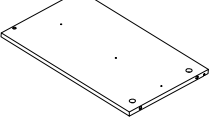
NO.	PARTS	QTY
1		x1
9		x1
14		x2
19		x1
22		x1
25		x1
31		x3

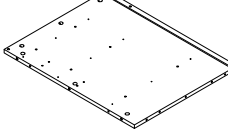
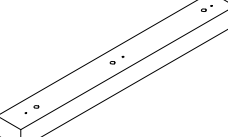
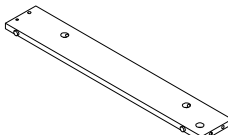
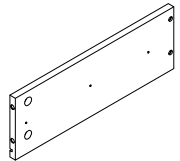
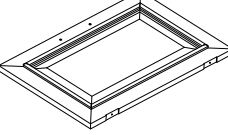
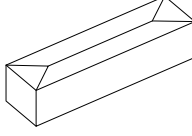
NO.	PARTS	QTY
2		x1
10		x2
17		x2
20		x1
23		x1
26		x1
32		x3

NO.	PARTS	QTY
7		x2
11		x1
18		x1
21		x2
24		x1
27		x2
36		x1



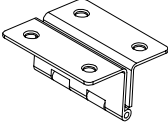
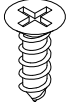

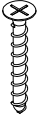
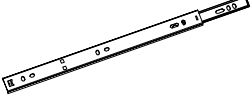
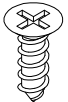
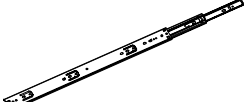
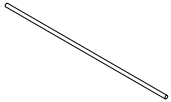
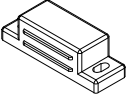
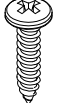

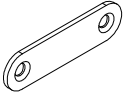
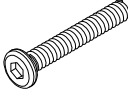

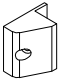
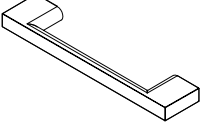
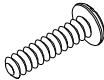
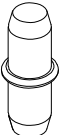
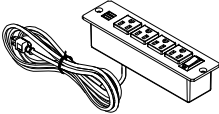
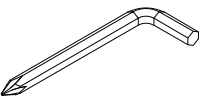

BOX : B

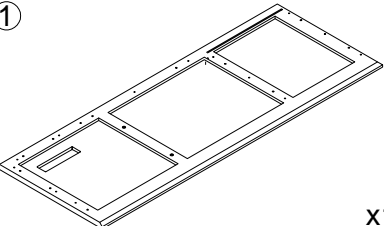
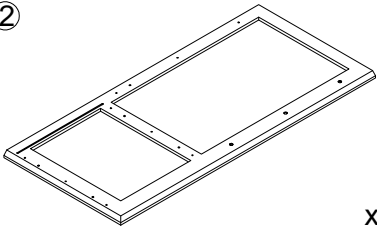
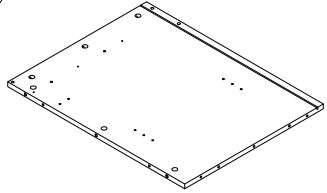
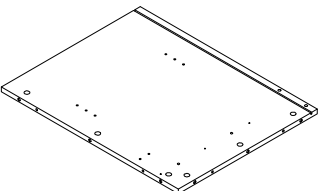
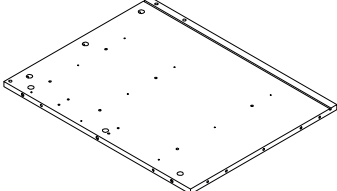
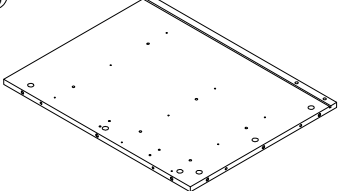
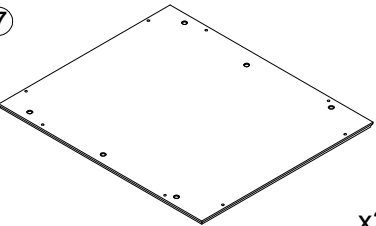
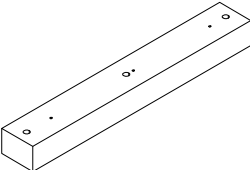

NO.	PARTS	QTY
3		x1
6		x1
13		x1
28		x3
33		x1

NO.	PARTS	QTY
4		x1
8		x6
15		x2
29		x3
34		x1

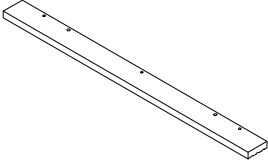
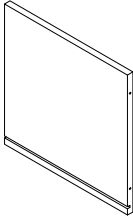
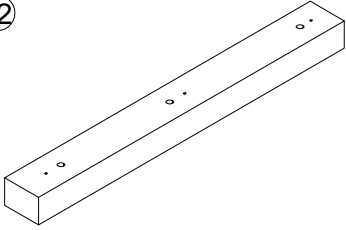
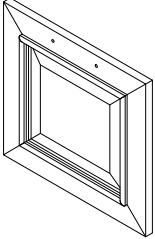
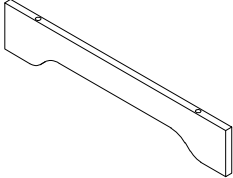
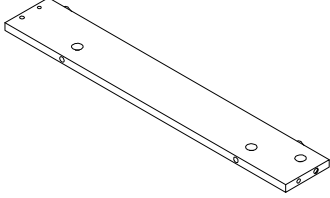
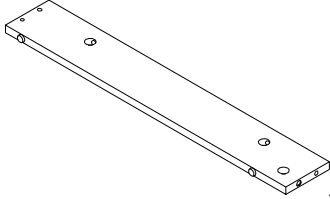
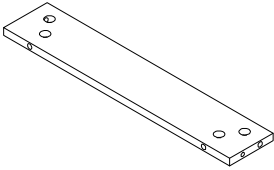
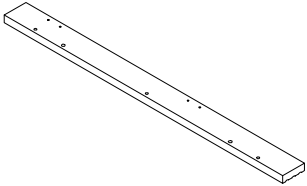
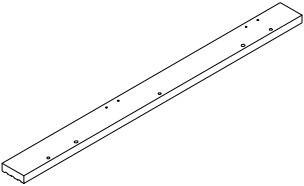
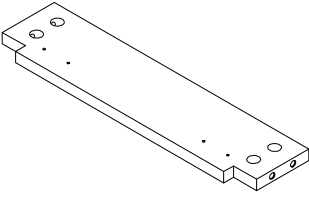
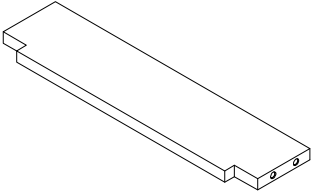
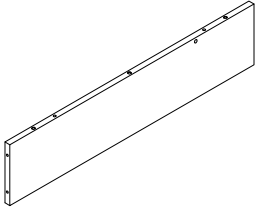
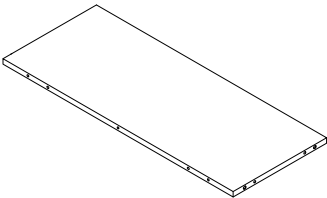
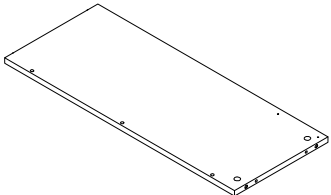
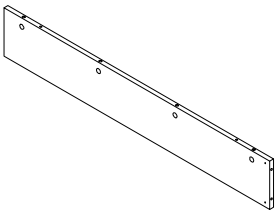
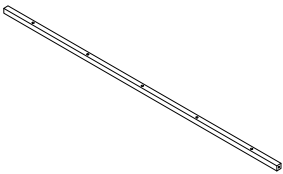

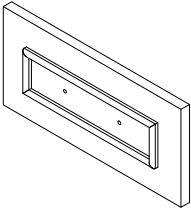
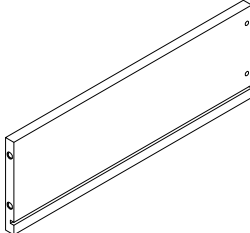
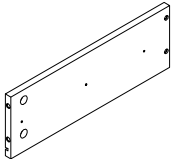
NO.	PARTS	QTY
5		x1
12		x2
16		x2
30		x3
35		x1
	 Hardware box	x1

ASSEMBLY INSTRUCTIONS

<p>A x62+3</p>  <p>Ø6x30mm</p>	<p>B x87+3</p>  <p>Ø6x35mm</p>	<p>C x2</p> 	<p>D x20+2</p>  <p>Ø6xØ3x12mm</p>	<p>E x87+3</p>  <p>Ø15x10mm</p>
<p>F x40+2</p>  <p>Ø8xØ4x35mm</p>	<p>G x6</p> 	<p>H x50+2</p>  <p>Ø7xØ3.5x12mm</p>	<p>J x2</p> 	<p>K x2</p> 
<p>L x1</p> 	<p>M x2</p>  <p>Ø6xØ3x16mm</p>	<p>N x19+1</p>  <p>Ø7x38mm</p>	<p>O x5</p> 	<p>P x7+1</p>  <p>M6x32mm</p>
<p>Q x8+1</p>  <p>Ø6xØ3x16mm</p>	<p>R x8+1</p> 	<p>S x5</p> 	<p>T x10+1</p>  <p>M4x18mm</p>	<p>U x4+1</p> 
<p>V x1</p> 	<p>W x1</p> 	<p>X x10+2</p> 		

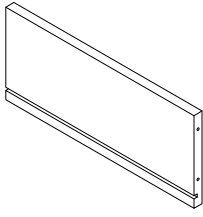
<p>①</p>  <p>x1</p>	<p>②</p>  <p>x1</p>	<p>③</p>  <p>x1</p>
<p>④</p>  <p>x1</p>	<p>⑤</p>  <p>x1</p>	<p>⑥</p>  <p>x1</p>
<p>⑦</p>  <p>x2</p>	<p>⑧</p>  <p>x6</p>	<p>⑨</p>  <p>x1</p>

ASSEMBLY INSTRUCTIONS

<p>⑩</p>  <p>x2</p>	<p>⑪</p>  <p>x1</p>	<p>⑫</p>  <p>x2</p>
<p>⑬</p>  <p>x1</p>	<p>⑭</p>  <p>x2</p>	<p>⑮</p>  <p>x2</p>
<p>⑯</p>  <p>x2</p>	<p>⑰</p>  <p>x2</p>	<p>⑱</p>  <p>x1</p>
<p>⑲</p>  <p>x1</p>	<p>⑳</p>  <p>x1</p>	<p>㉑</p>  <p>x2</p>
<p>㉒</p>  <p>x1</p>	<p>㉓</p>  <p>x1</p>	<p>㉔</p>  <p>x1</p>
<p>㉕</p>  <p>x1</p>	<p>㉖</p>  <p>x1</p>	<p>㉗</p>  <p>x2</p>
<p>㉘</p>  <p>x3</p>	<p>㉙</p>  <p>x3</p>	<p>㉚</p>  <p>x3</p>

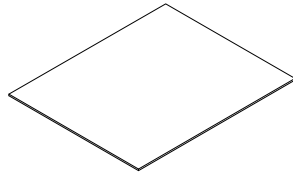
ASSEMBLY INSTRUCTIONS

31



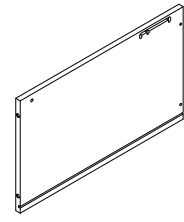
x3

32



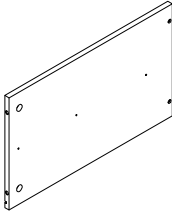
x3

33



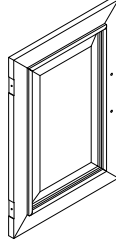
x1

34



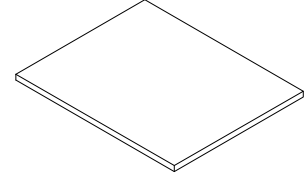
x1

35



x1

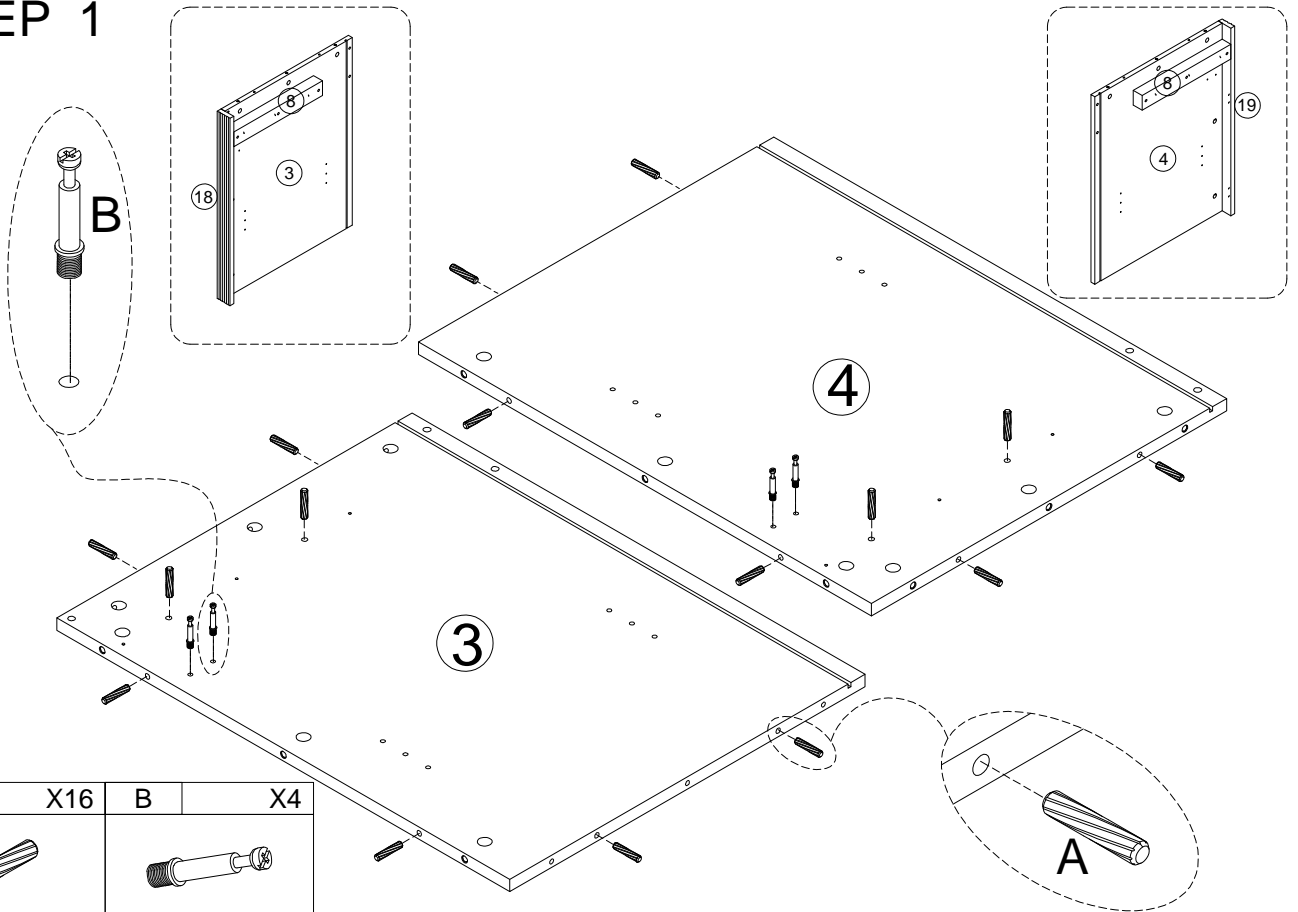
36

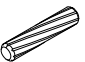
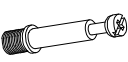


x1

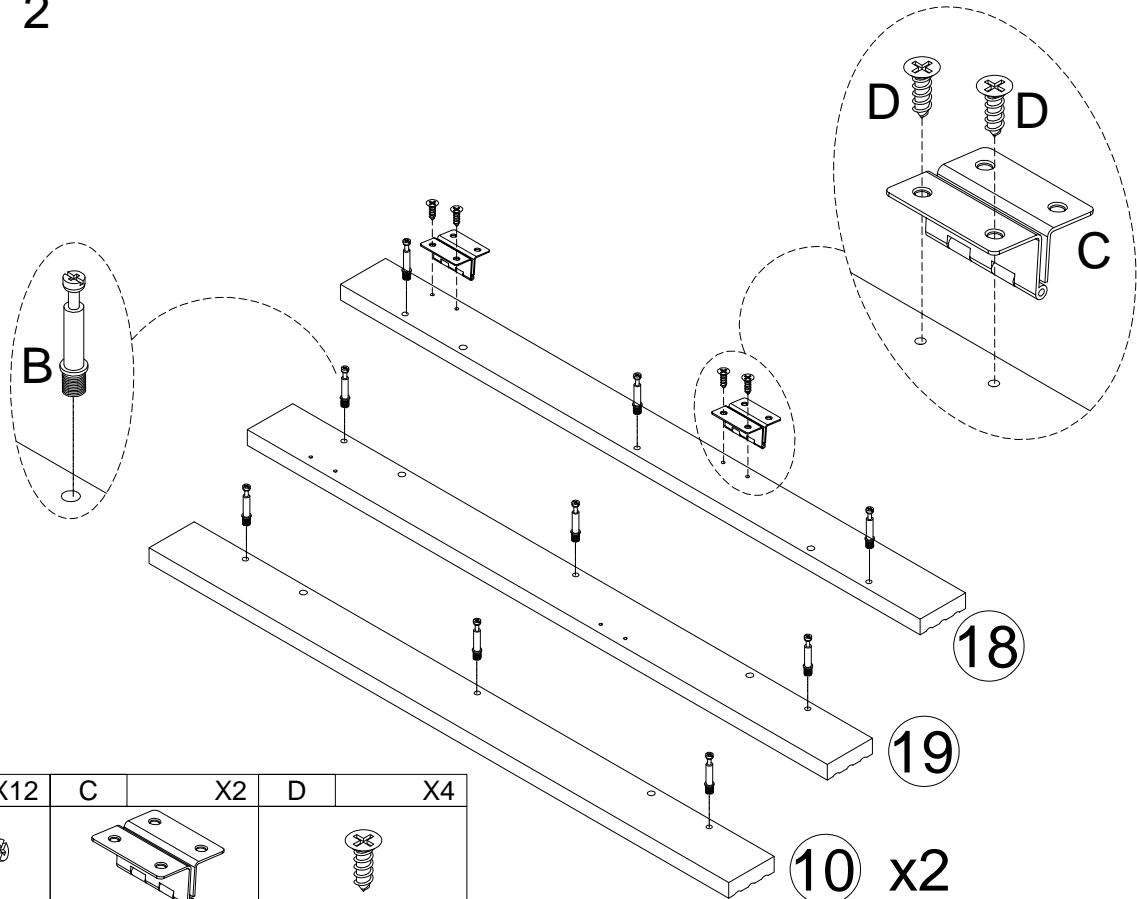
INSTALLATION INSTRUCTION

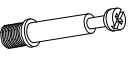
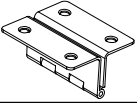

STEP 1



A	X16	B	X4
			
Ø6x30mm		Ø6x35mm	

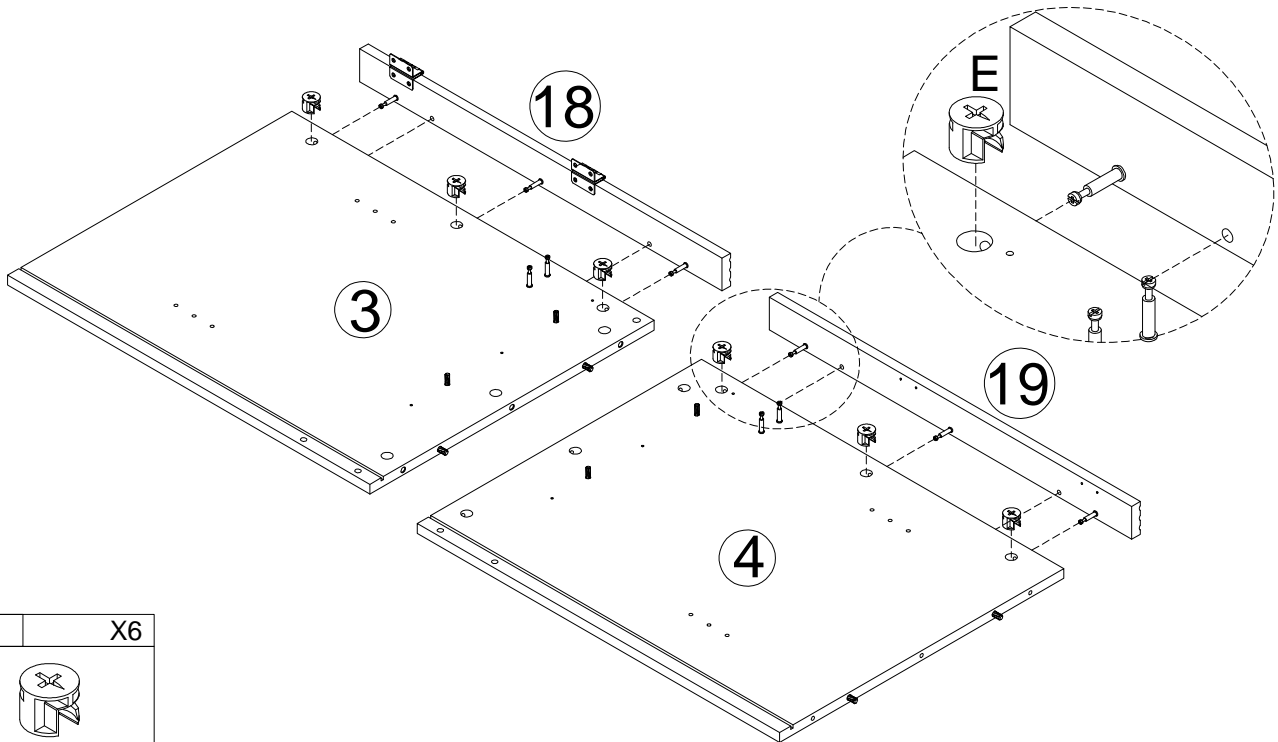
STEP 2




B	X12	C	X2	D	X4
					
Ø6x35mm				Ø6xØ3x12mm	

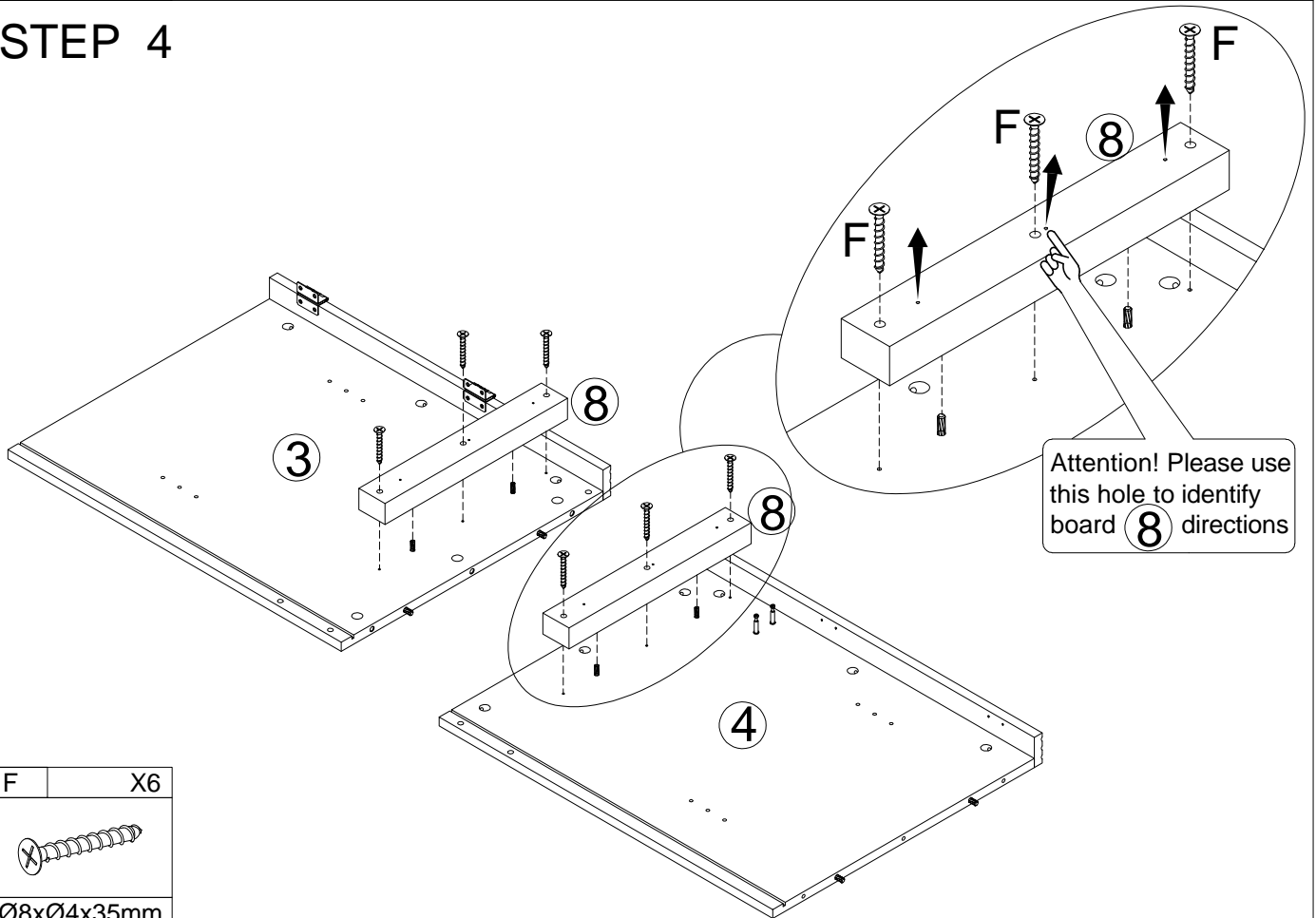
INSTALLATION INSTRUCTION

STEP 3

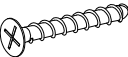


E	X6
	
Ø15x10mm	

STEP 4

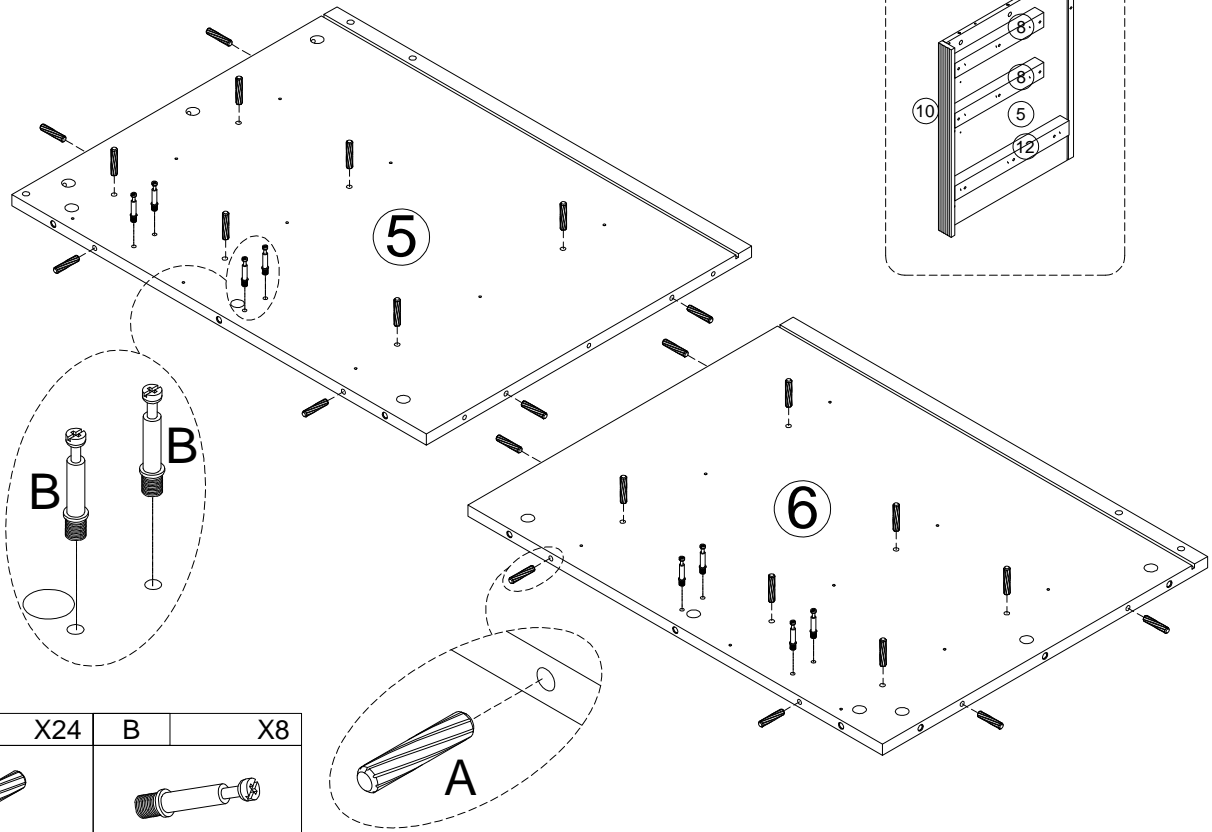


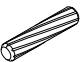
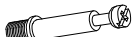
Attention! Please use this hole to identify board 8 directions

F	X6
	
Ø8xØ4x35mm	

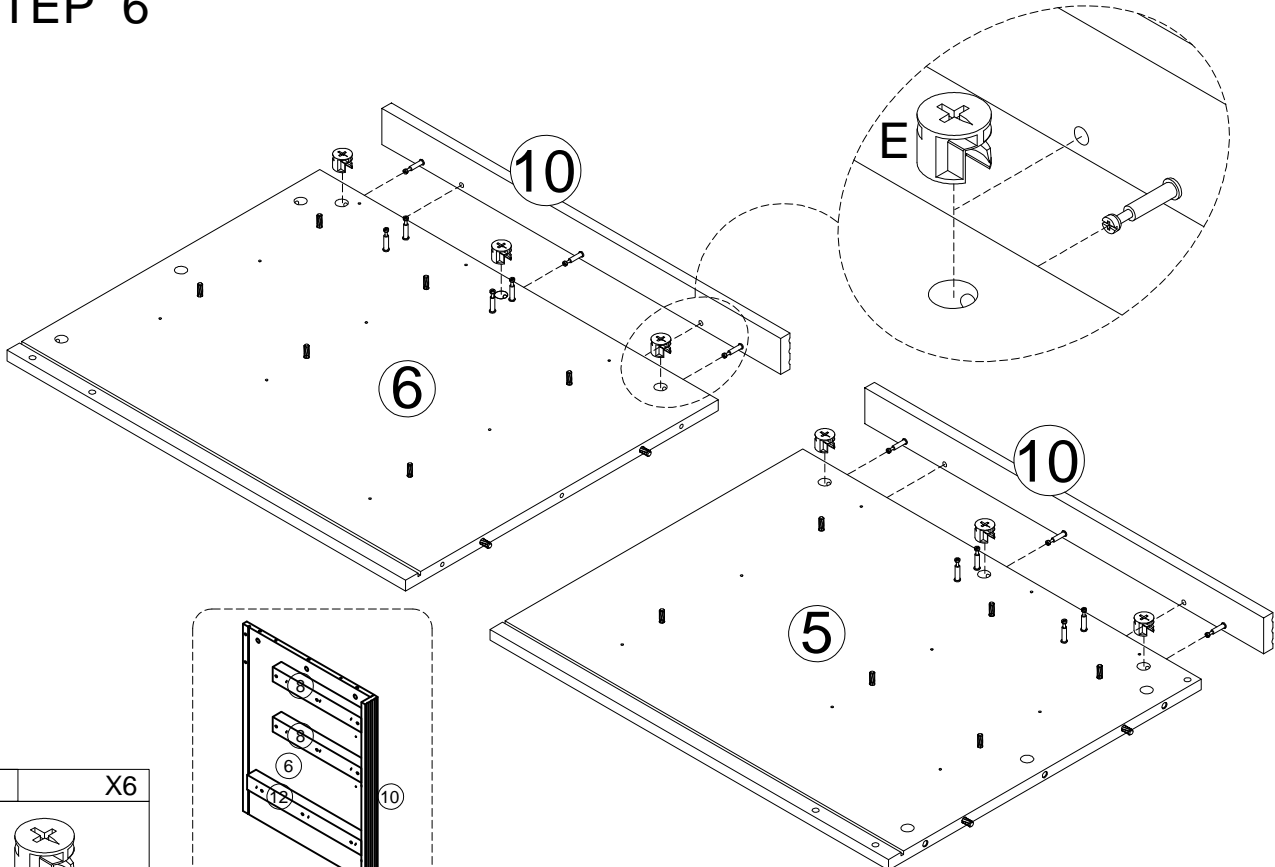
INSTALLATION INSTRUCTION


STEP 5



A	X24	B	X8
			
Ø6x30mm		Ø6x35mm	

STEP 6



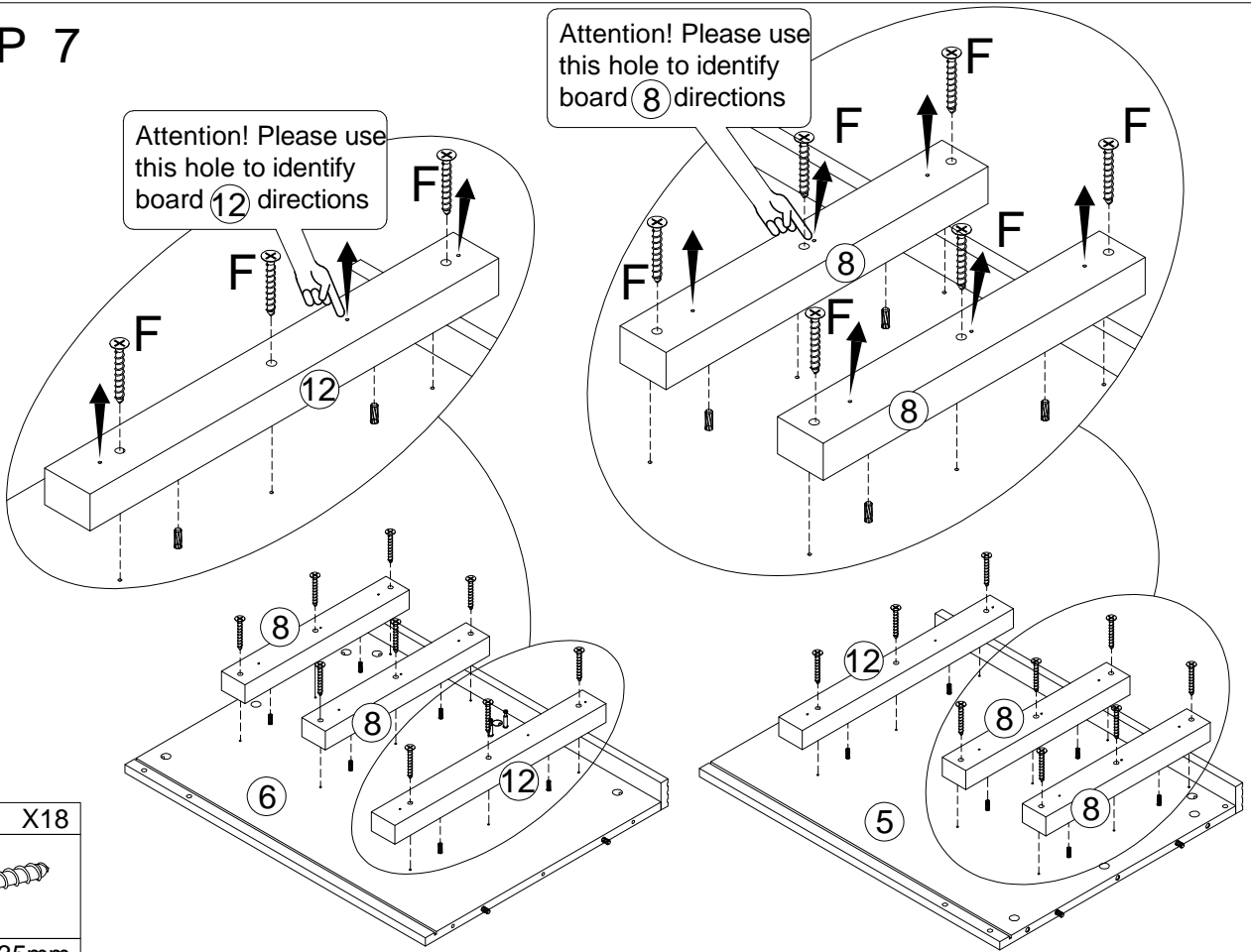
E	X6
	
Ø15x10mm	

INSTALLATION INSTRUCTION

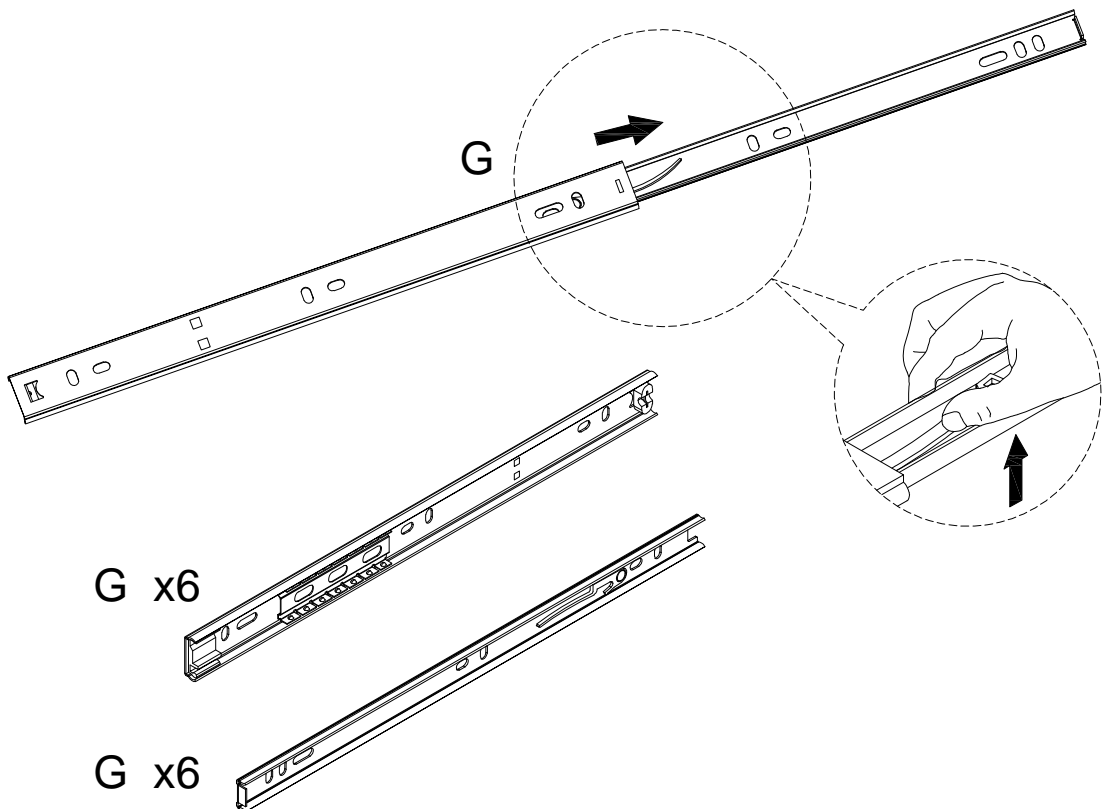
STEP 7

Attention! Please use this hole to identify board ⑫ directions

Attention! Please use this hole to identify board ⑧ directions

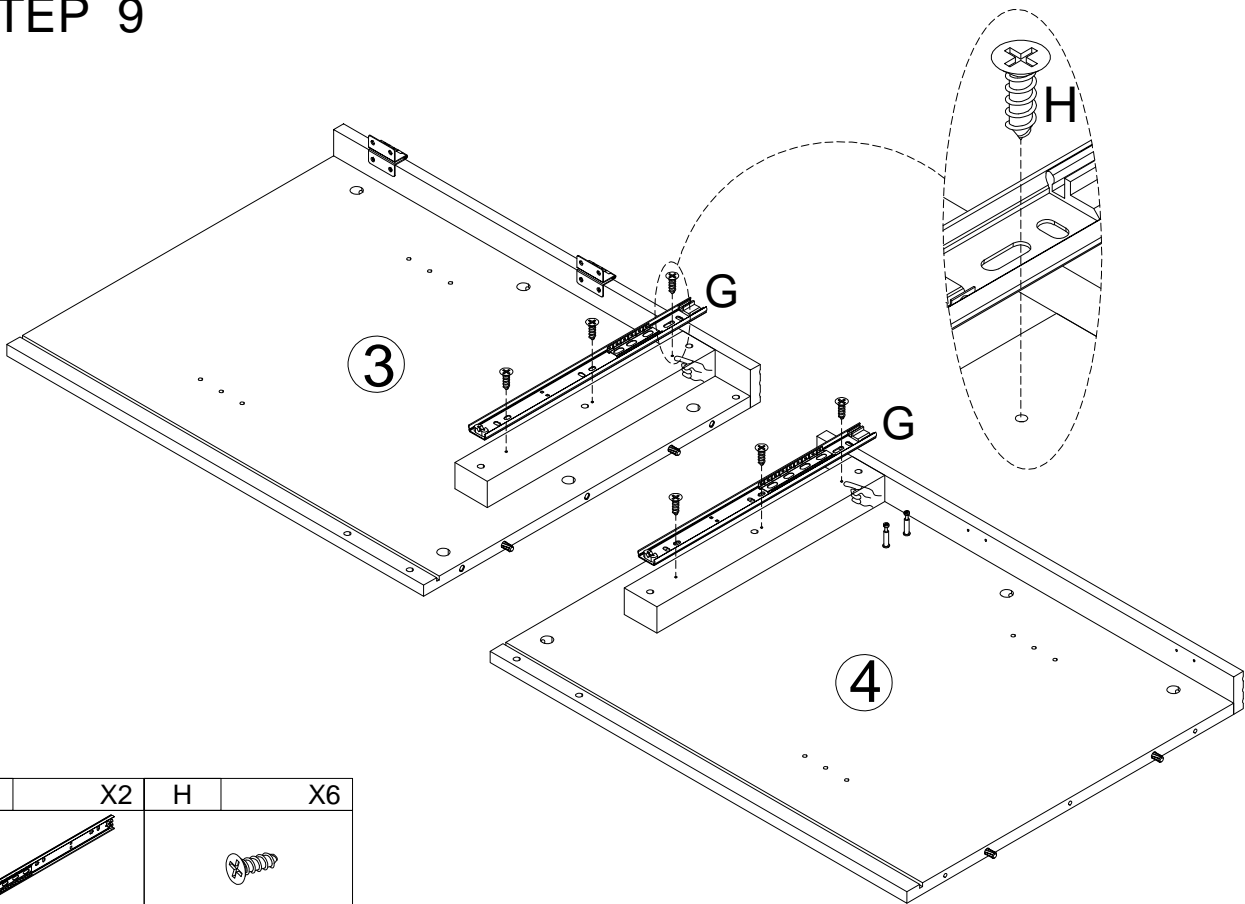


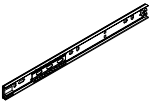

STEP 8



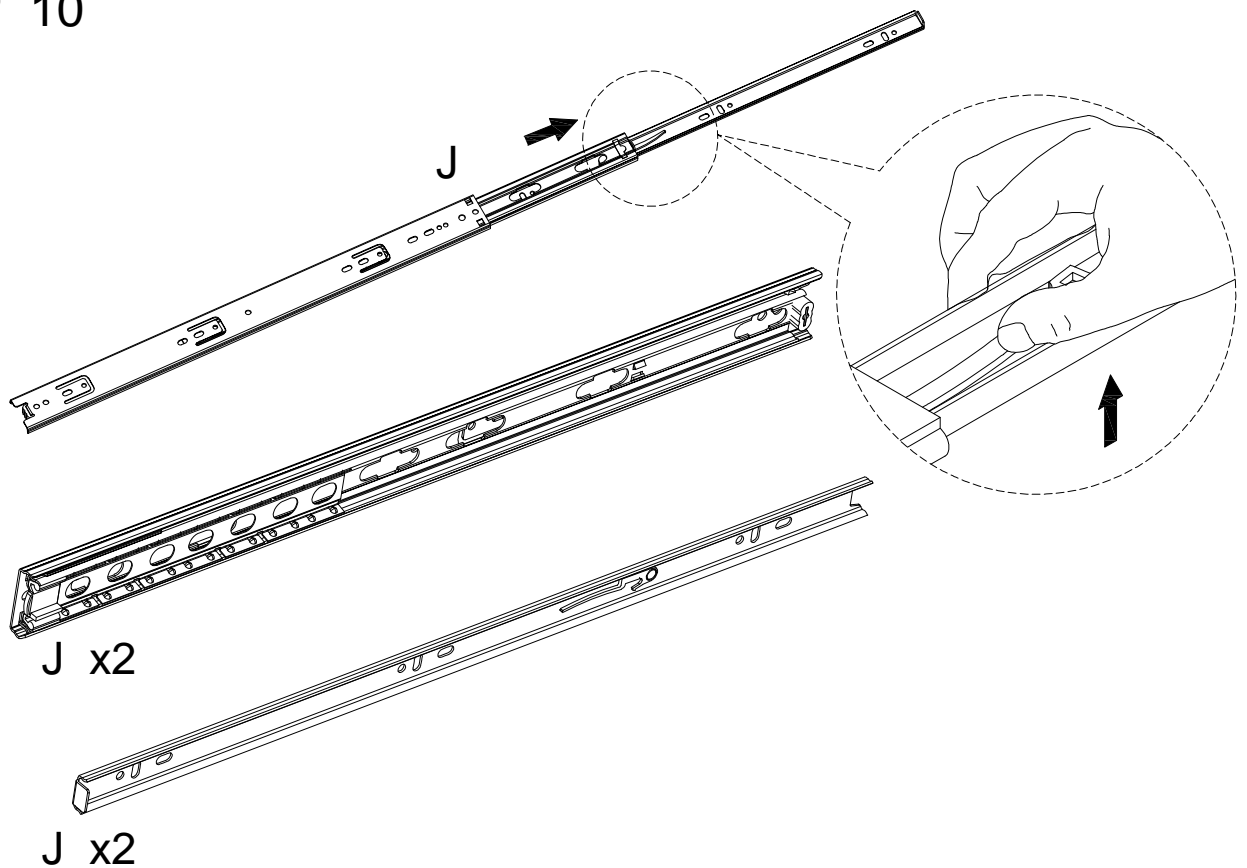
INSTALLATION INSTRUCTION

STEP 9



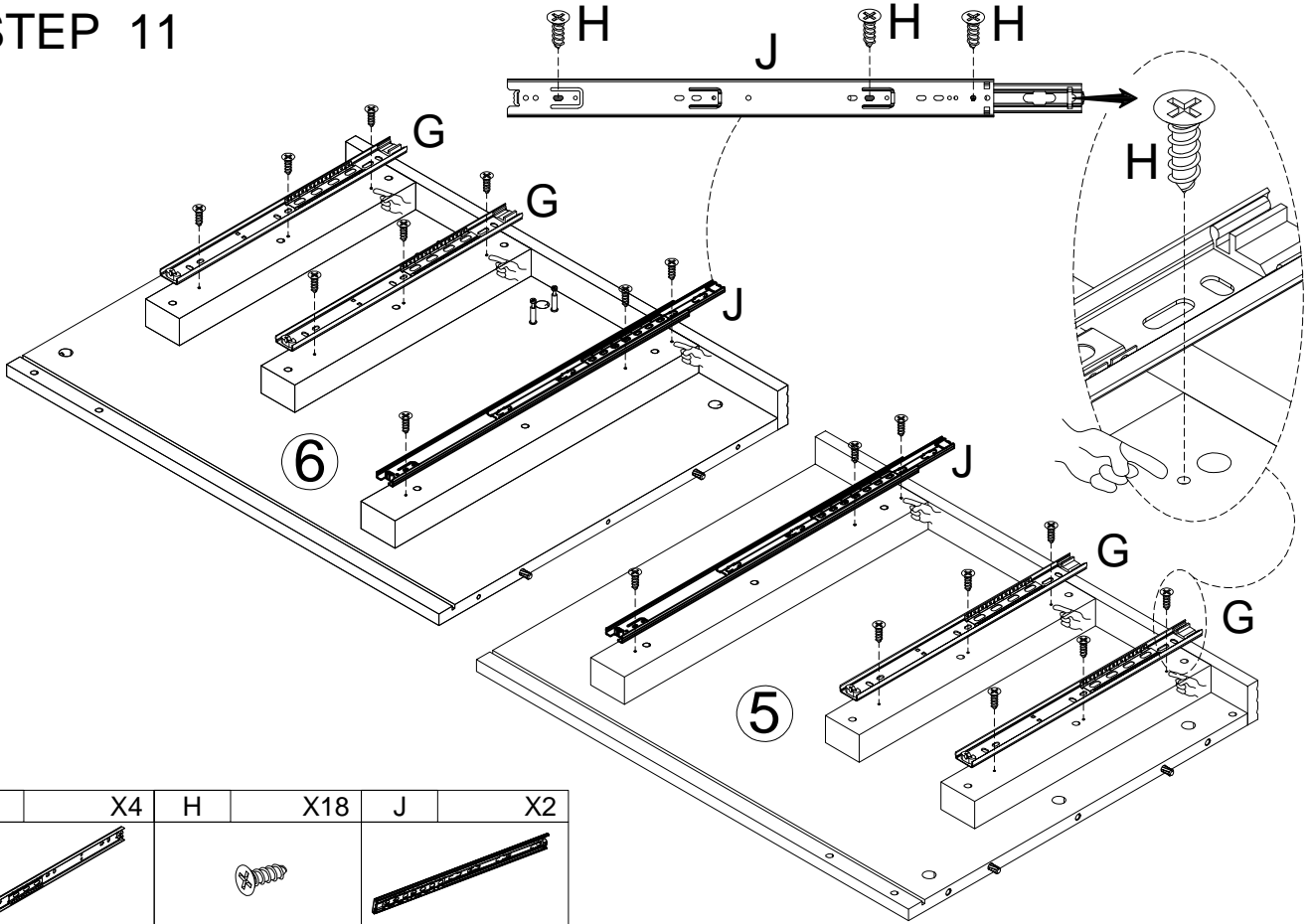
G	X2	H	X6
			
Ø7xØ3.5x12mm			

STEP 10

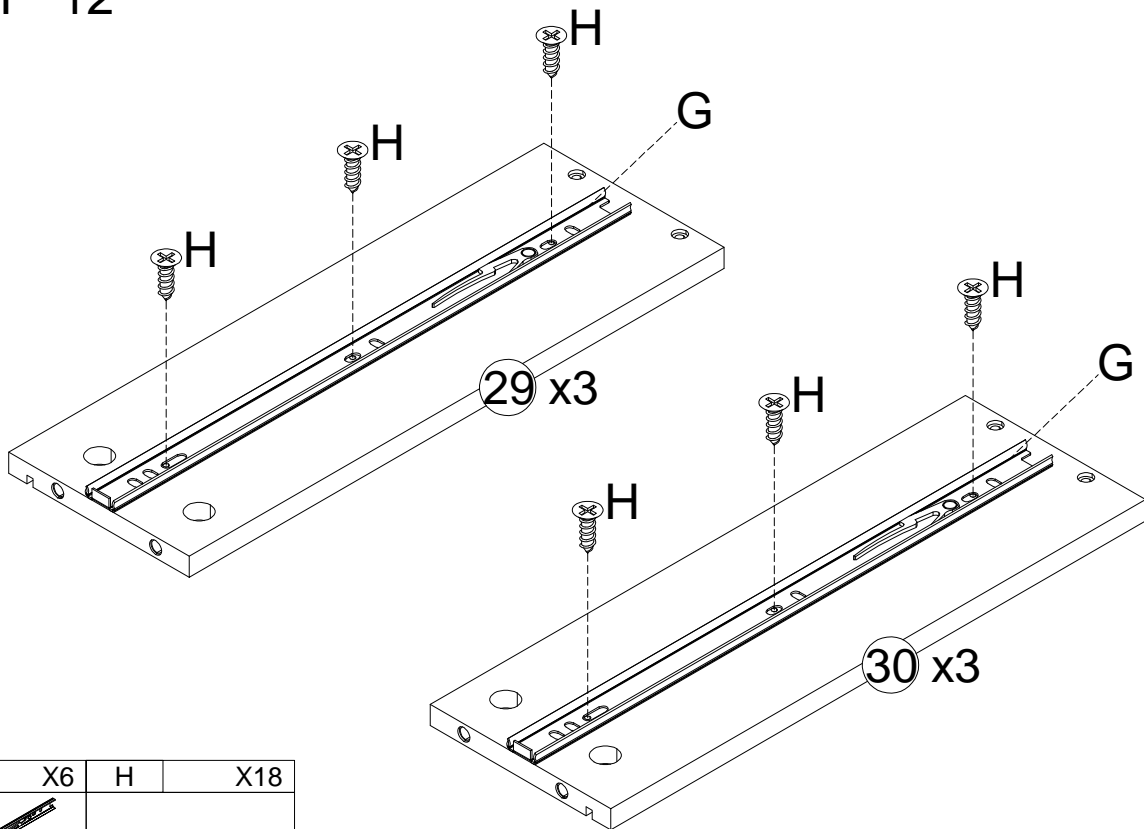


INSTALLATION INSTRUCTION

STEP 11

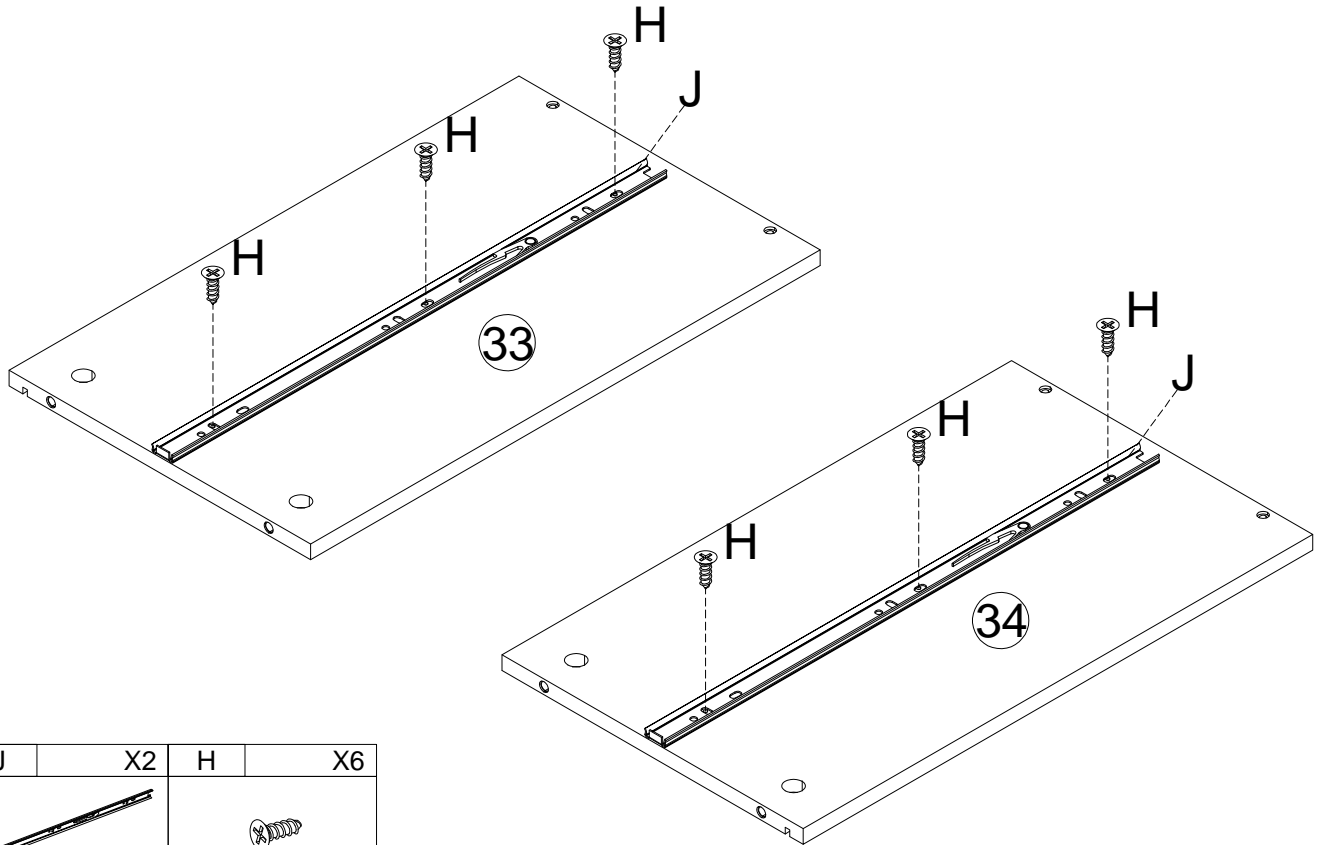




STEP 12



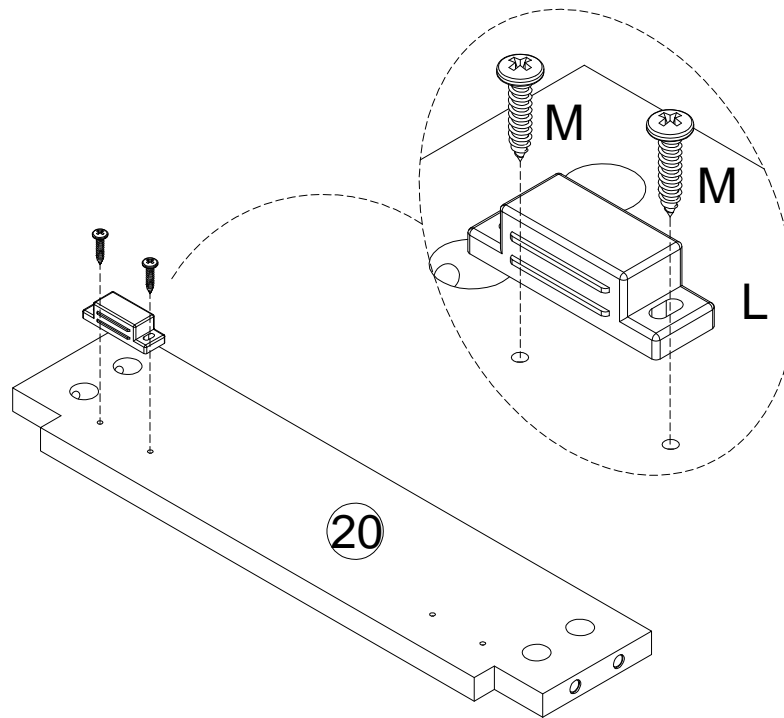
INSTALLATION INSTRUCTION

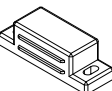

STEP 13



J	X2	H	X6
			
		Ø7xØ3.5x12mm	

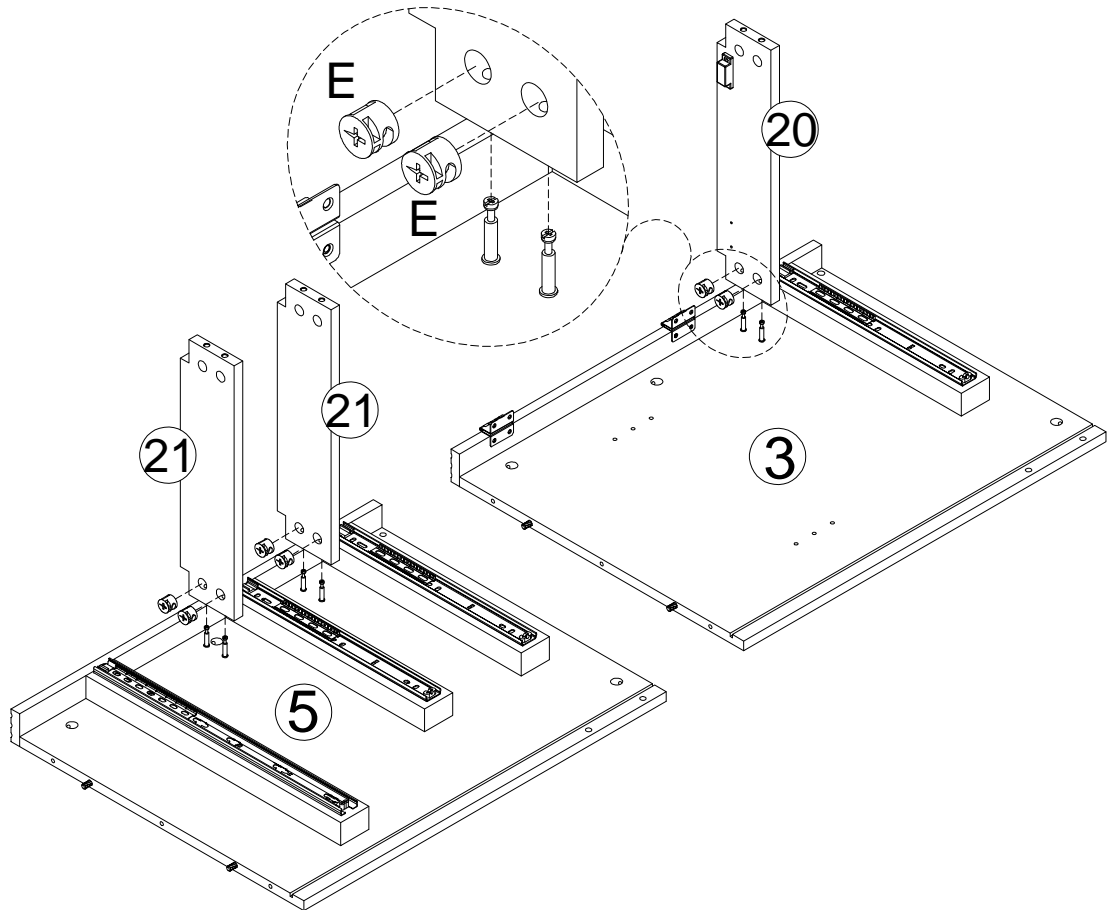
STEP 14




L	X1	M	X2
			
		Ø6xØ3x16mm	

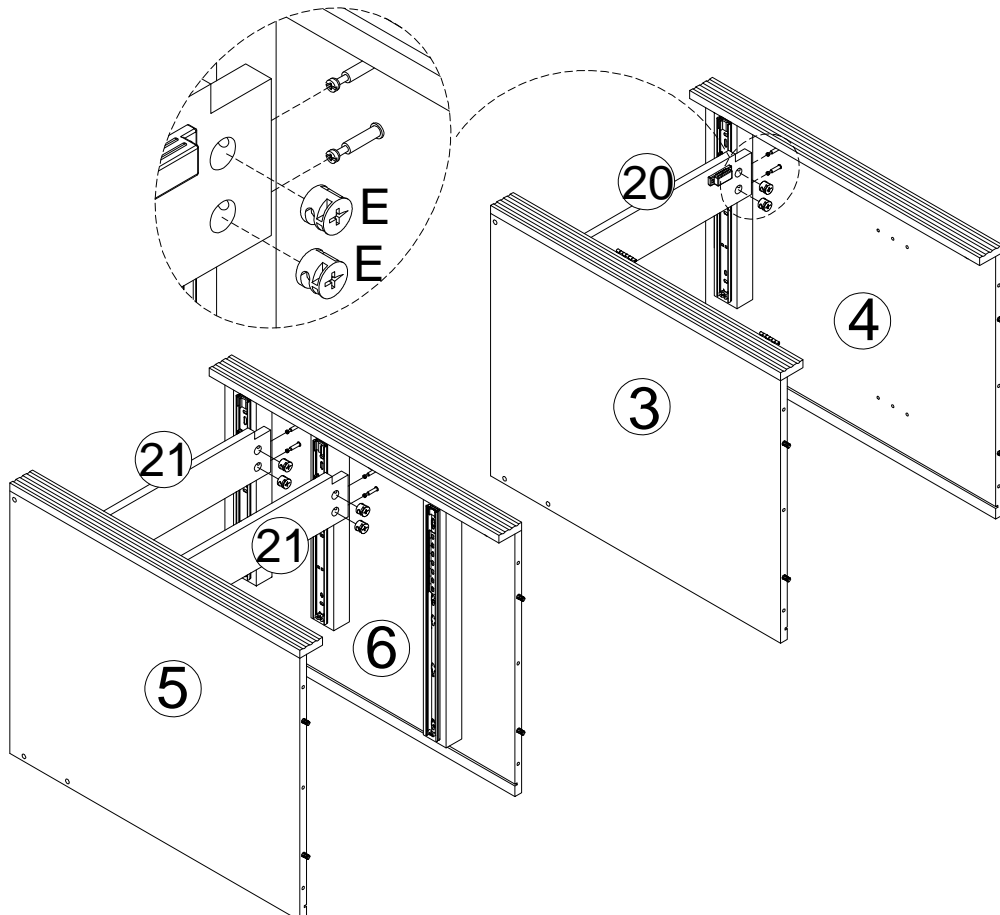
INSTALLATION INSTRUCTION

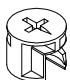
STEP 15



E	X6
	
Ø15x10mm	

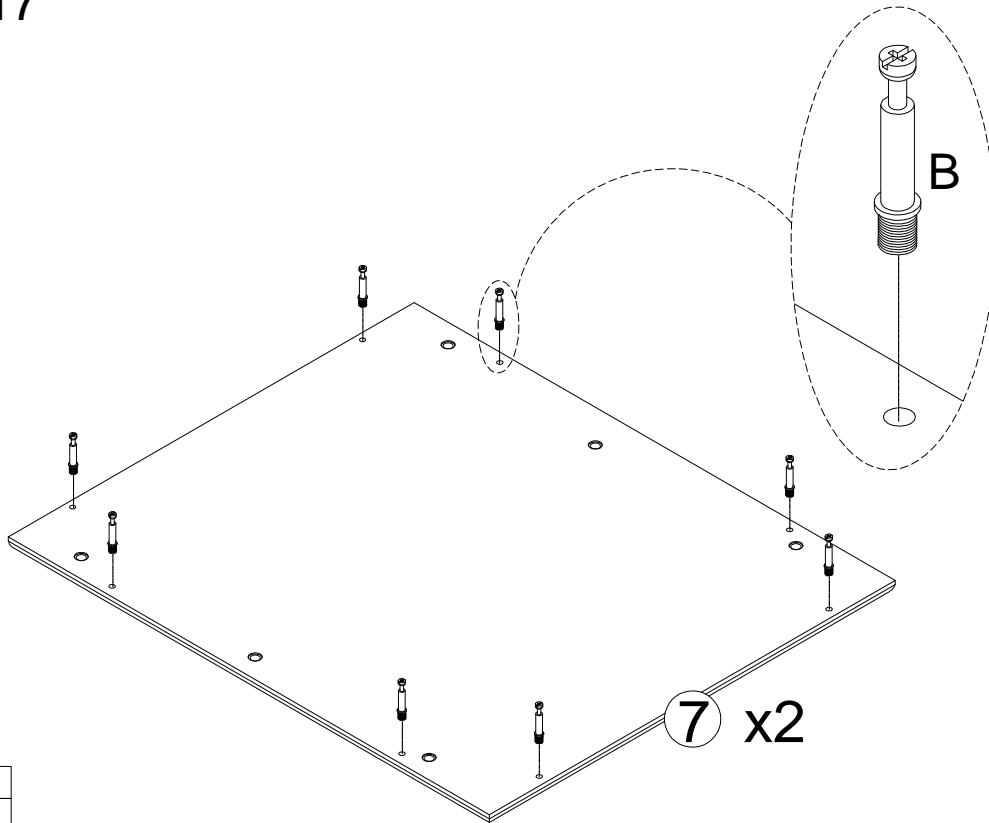
STEP 16

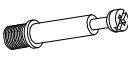


E	X6
	
Ø15x10mm	

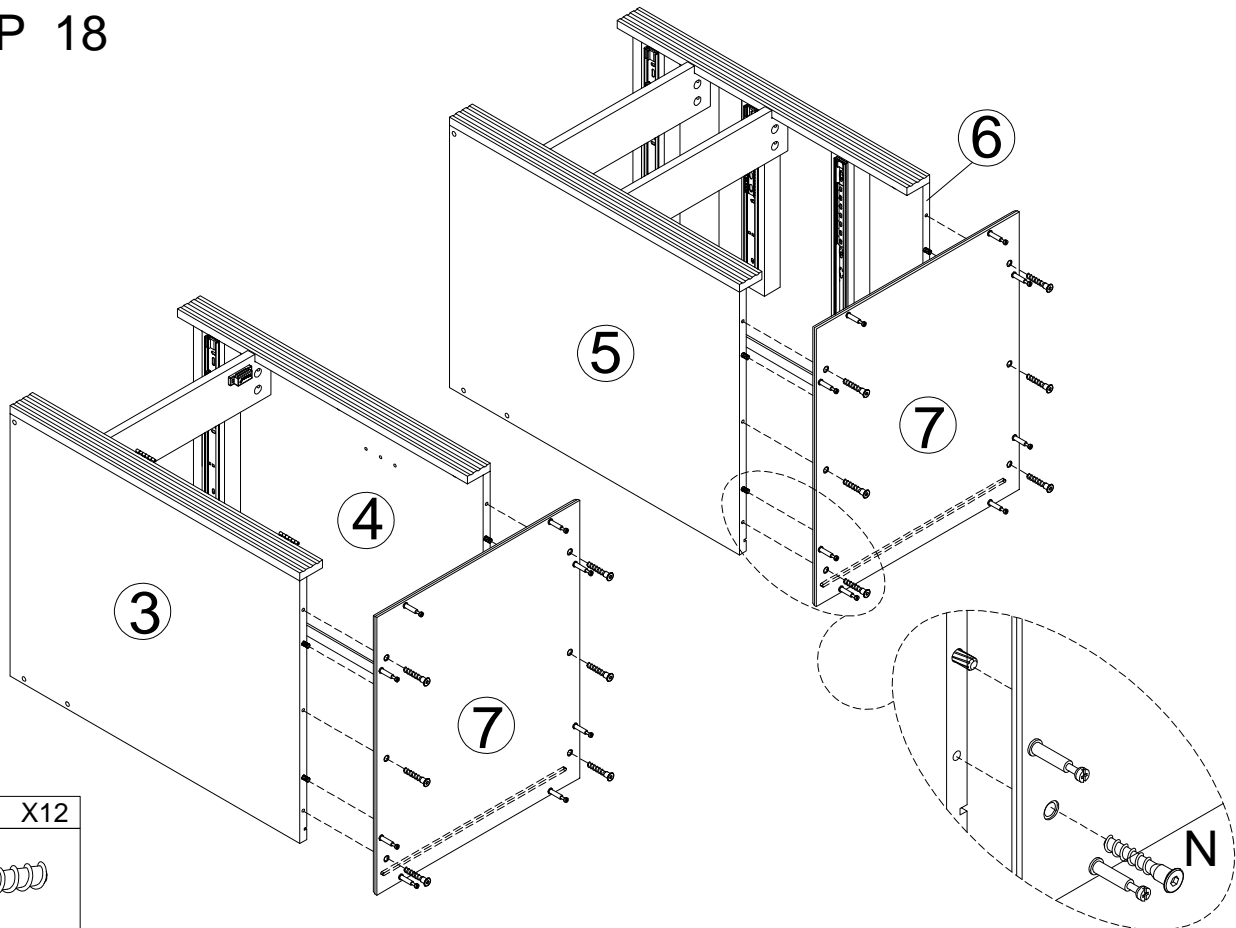
INSTALLATION INSTRUCTION


STEP 17



B	X16
	
Ø6x35mm	

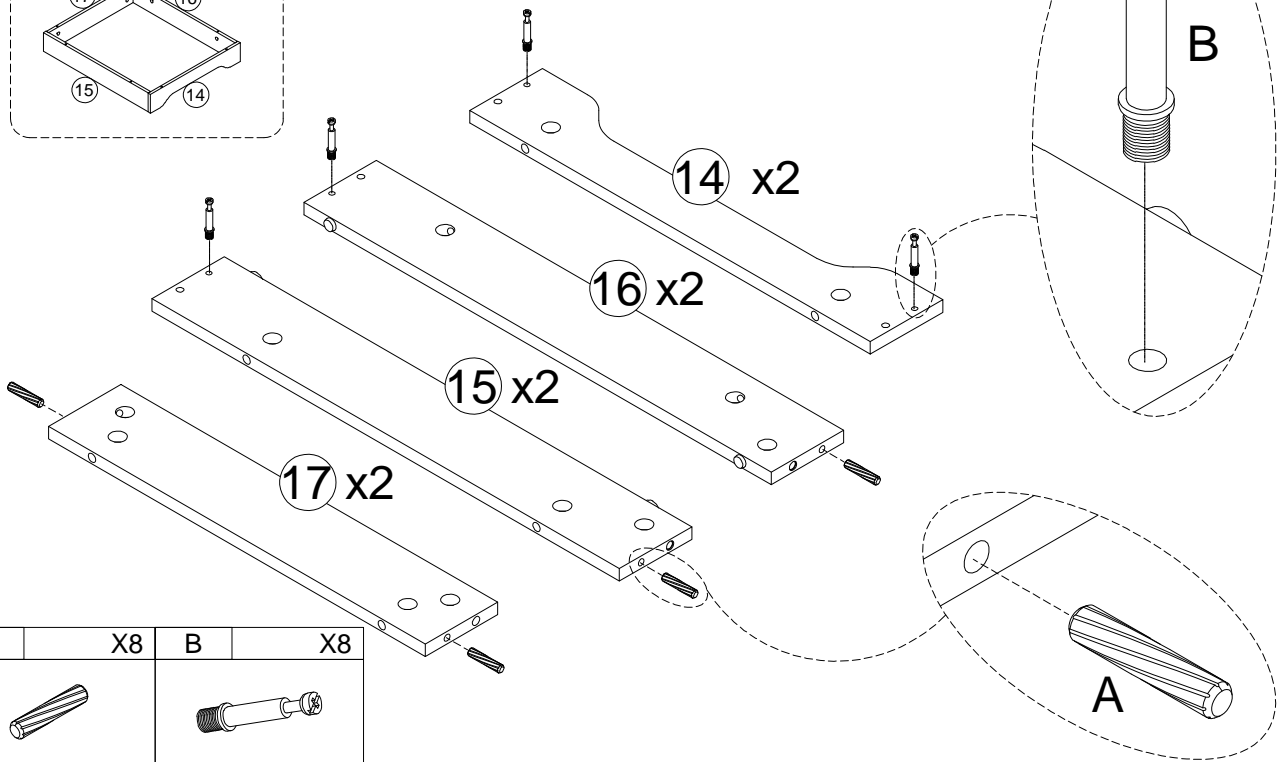
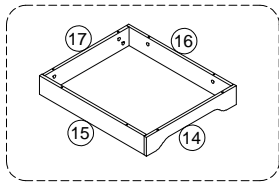
STEP 18

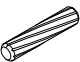
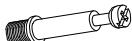


N	X12
	
Ø7x38mm	

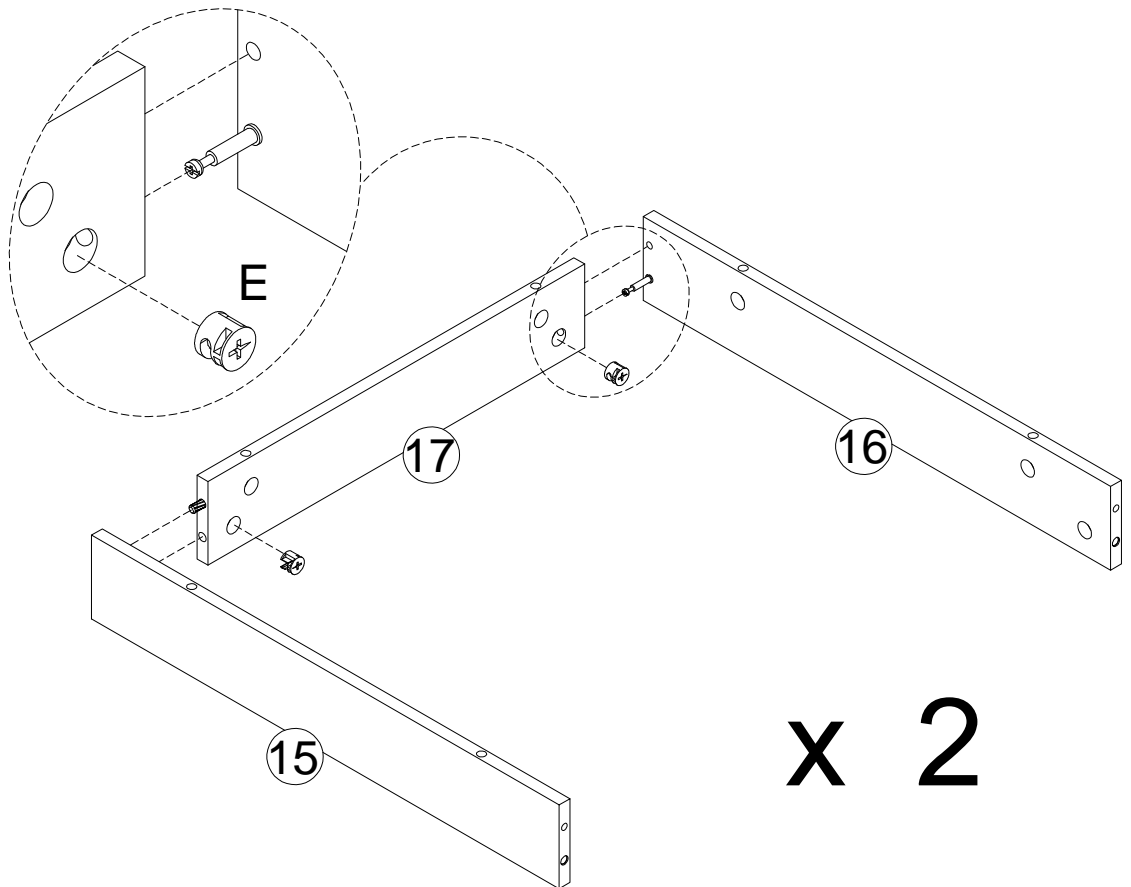
INSTALLATION INSTRUCTION

STEP 19




A	X8	B	X8
			
Ø6x30mm		Ø6x35mm	

STEP 20

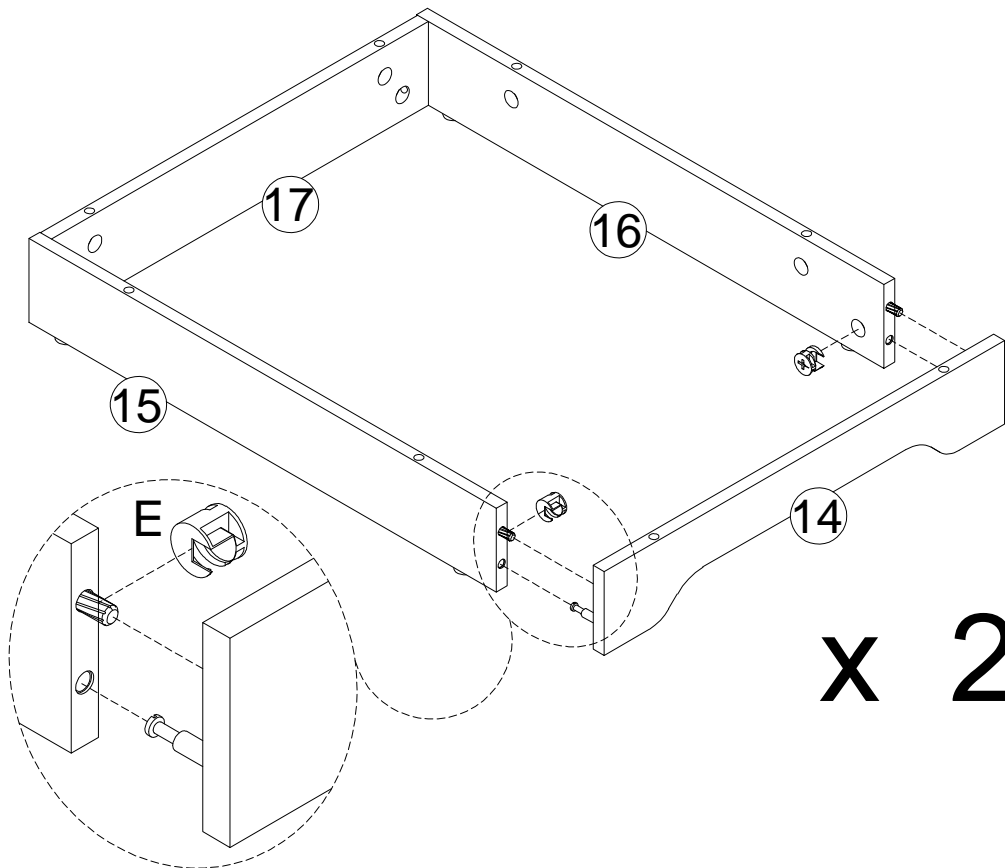


x 2

E	X4
	
Ø15x10mm	

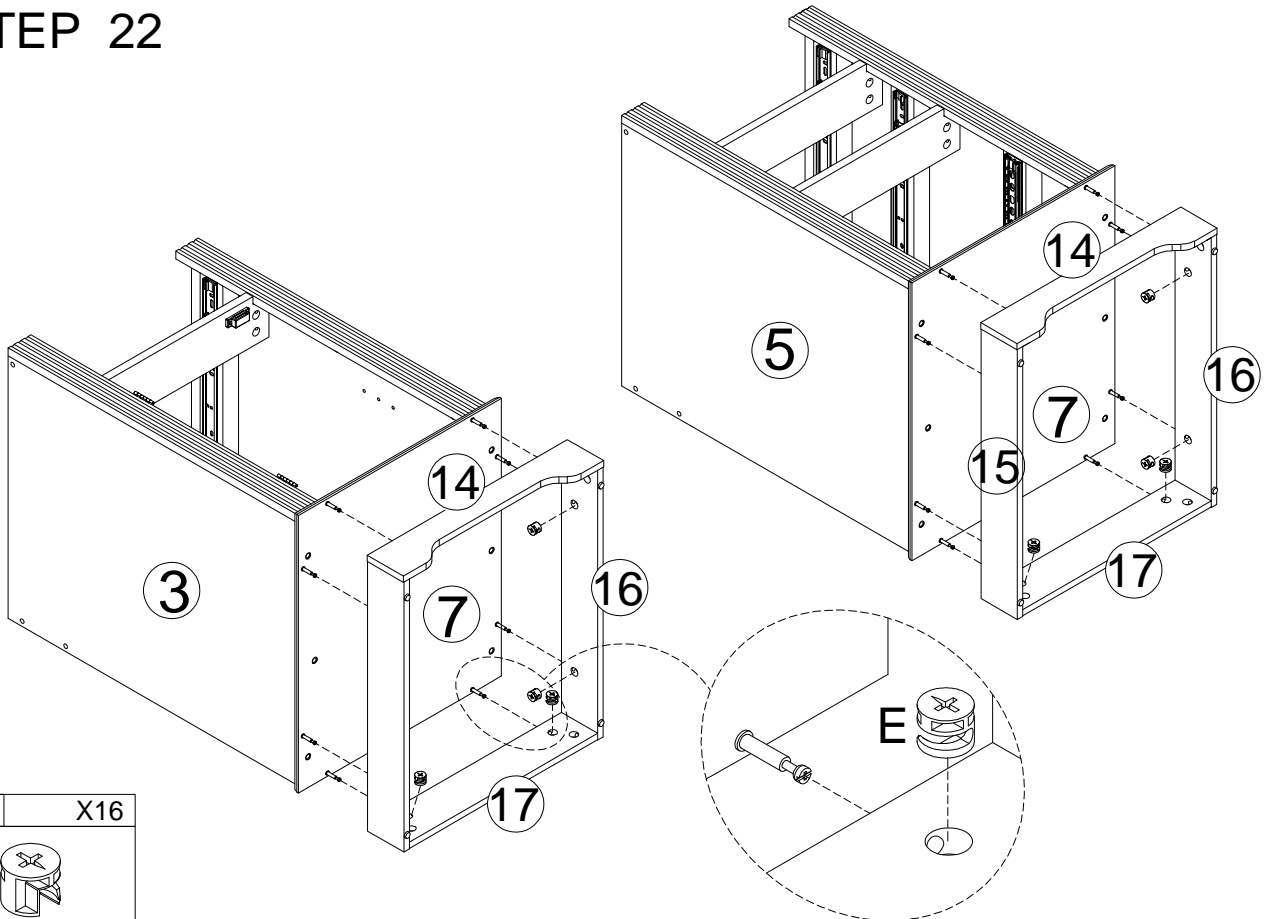
INSTALLATION INSTRUCTION

STEP 21



E	X4
Ø15x10mm	

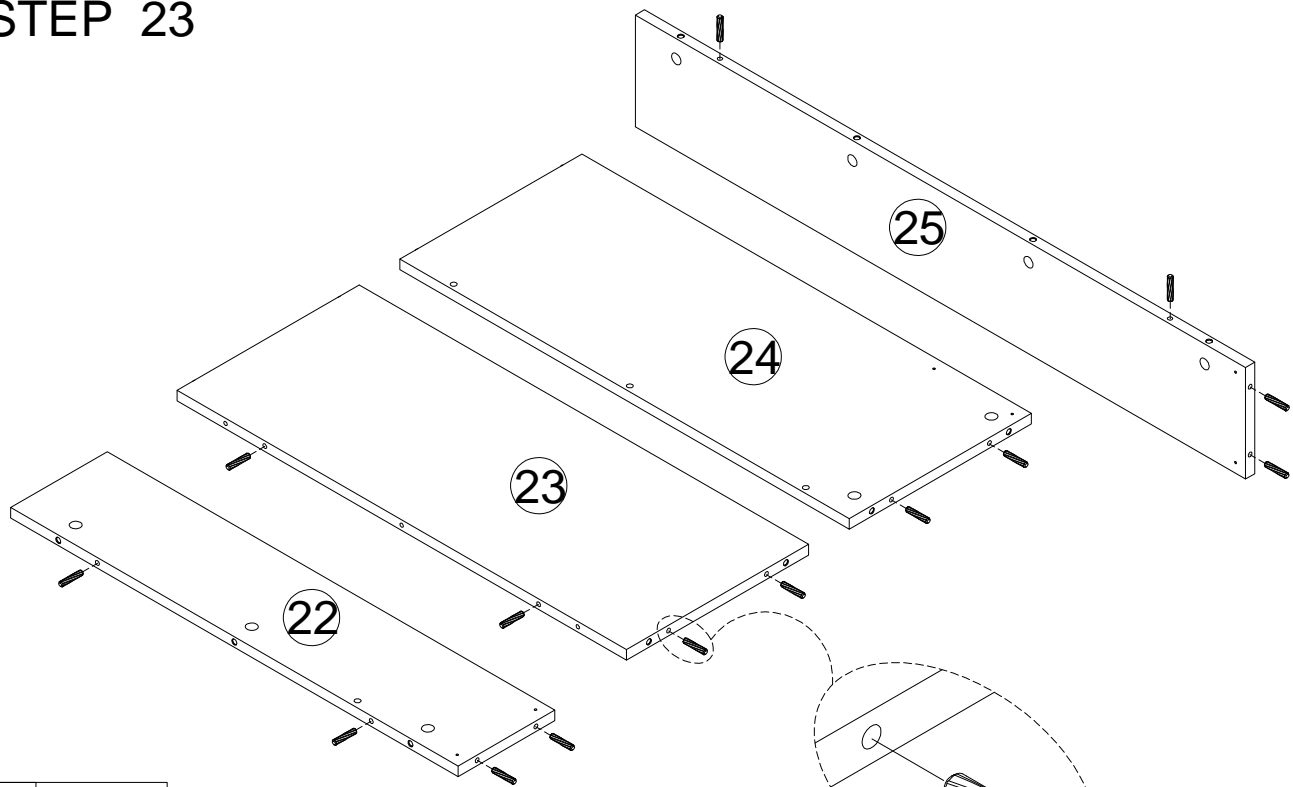
STEP 22

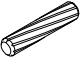


E	X16
Ø15x10mm	

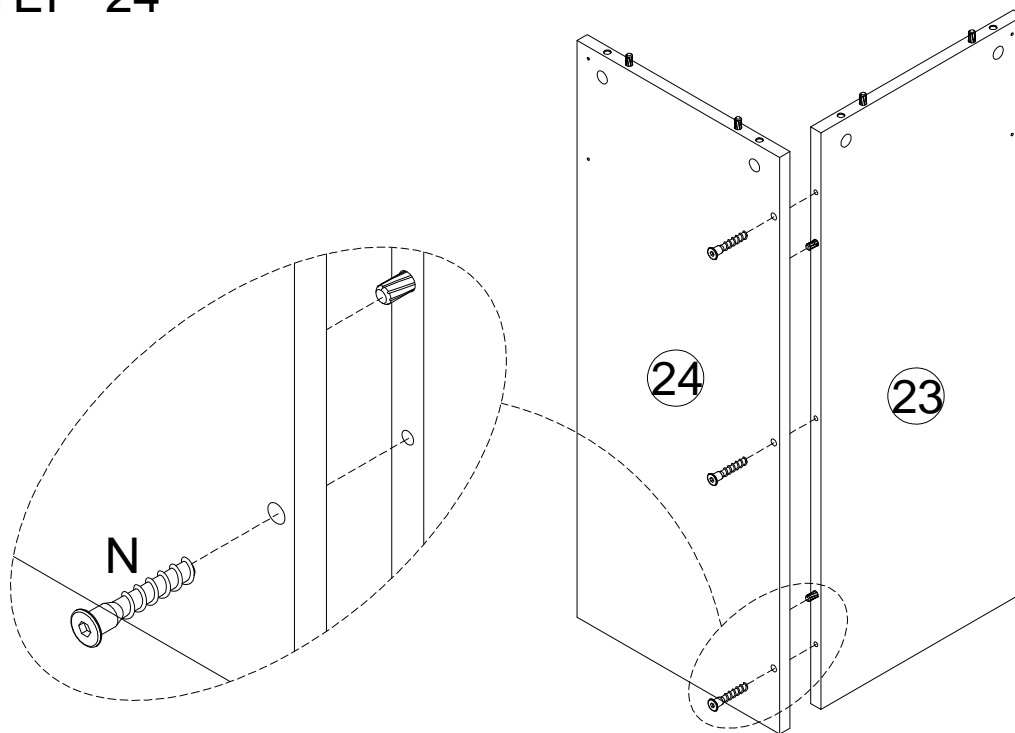
INSTALLATION INSTRUCTION


STEP 23



A	X14
	
Ø6x30mm	

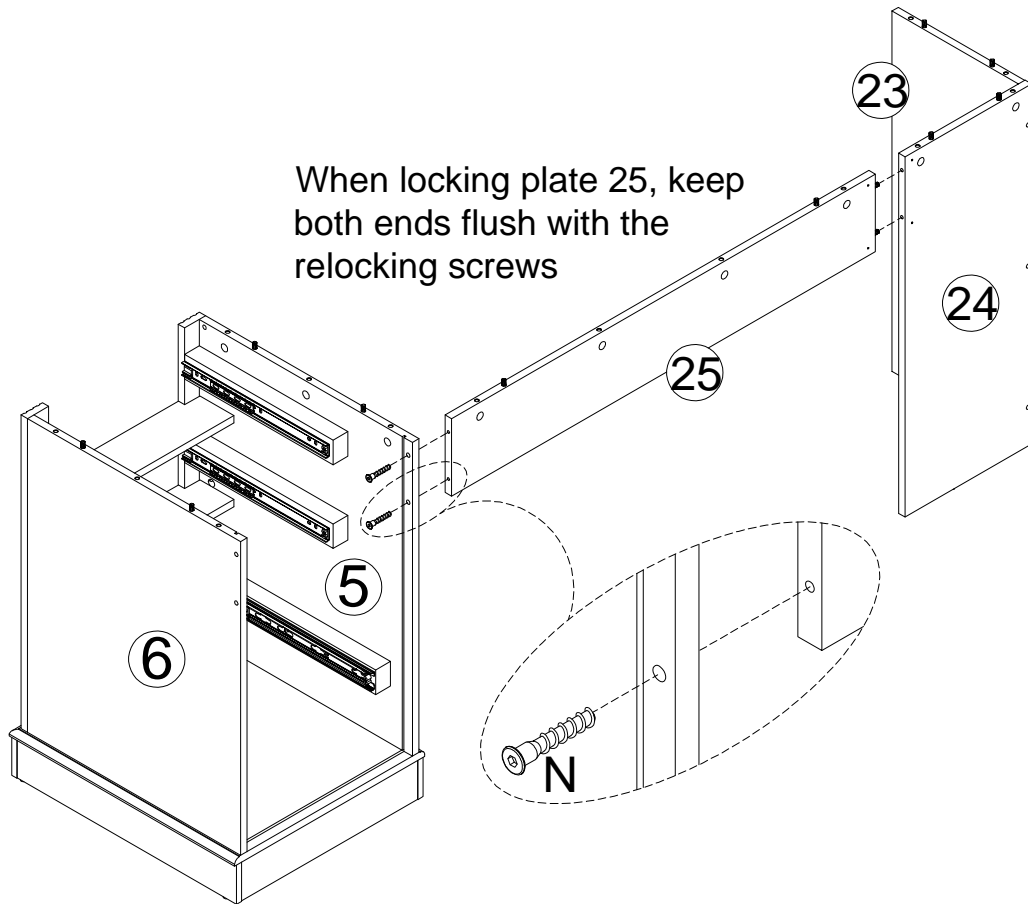
STEP 24

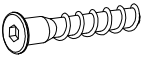


N	X3
	
Ø7x38mm	

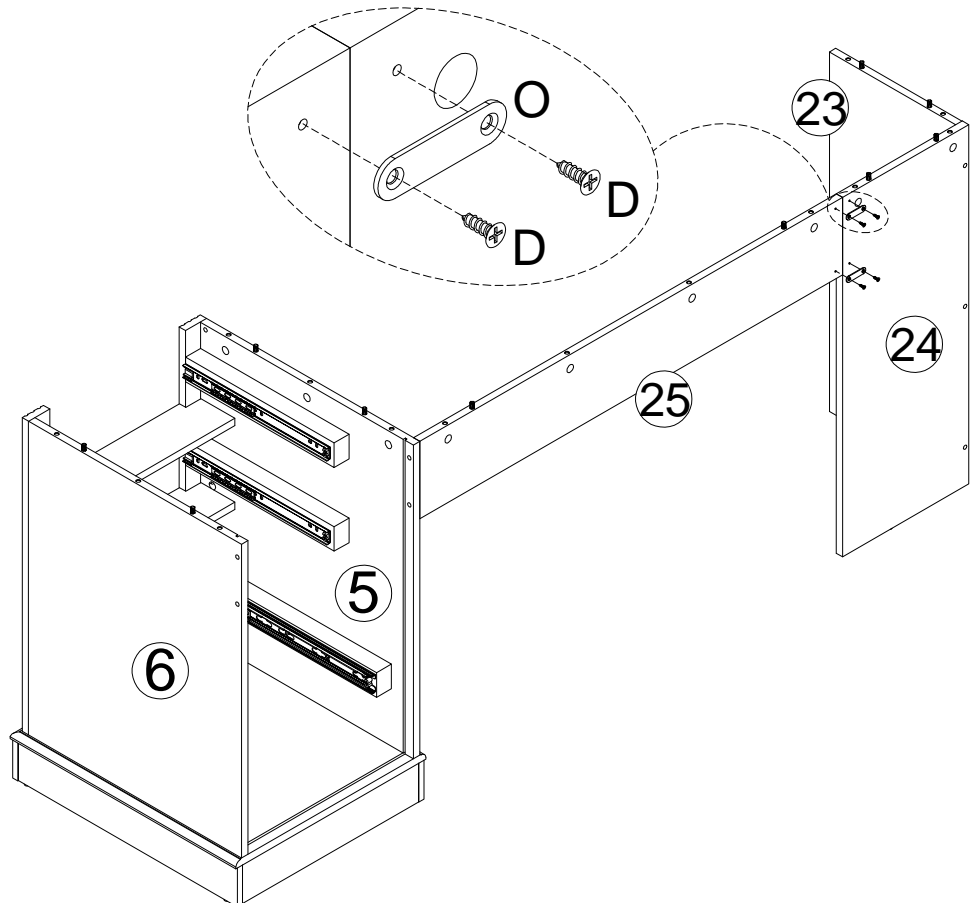
INSTALLATION INSTRUCTION

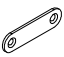

STEP 25



N	X2
	
Ø7x38mm	

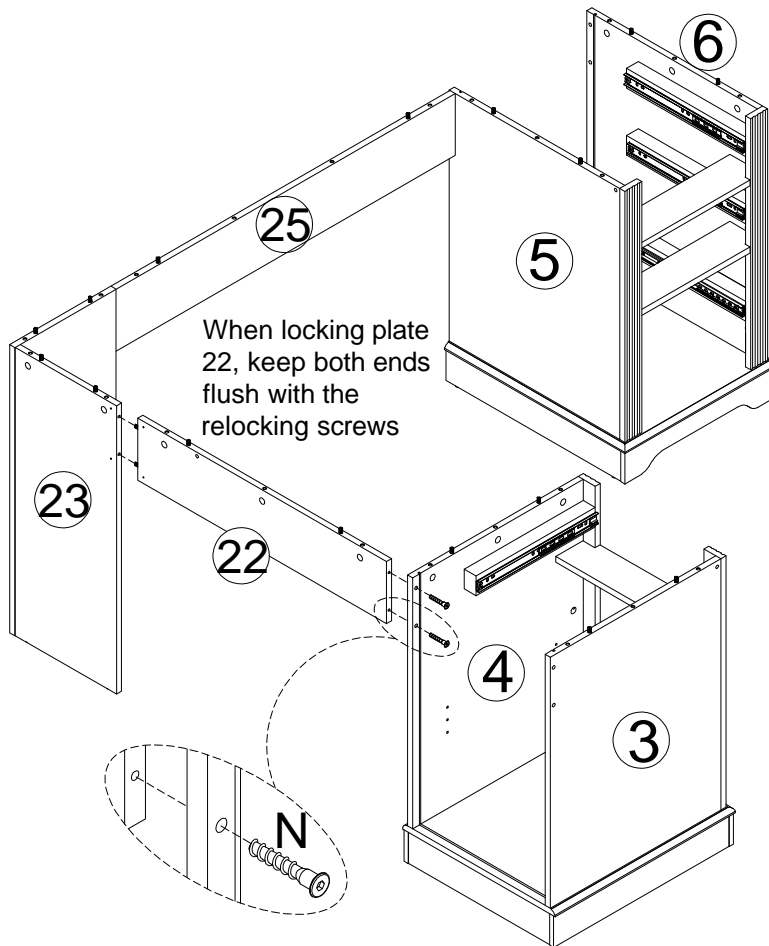
STEP 26

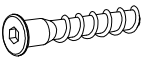


O	X2
	
D	X4
	
Ø6xØ3x12mm	

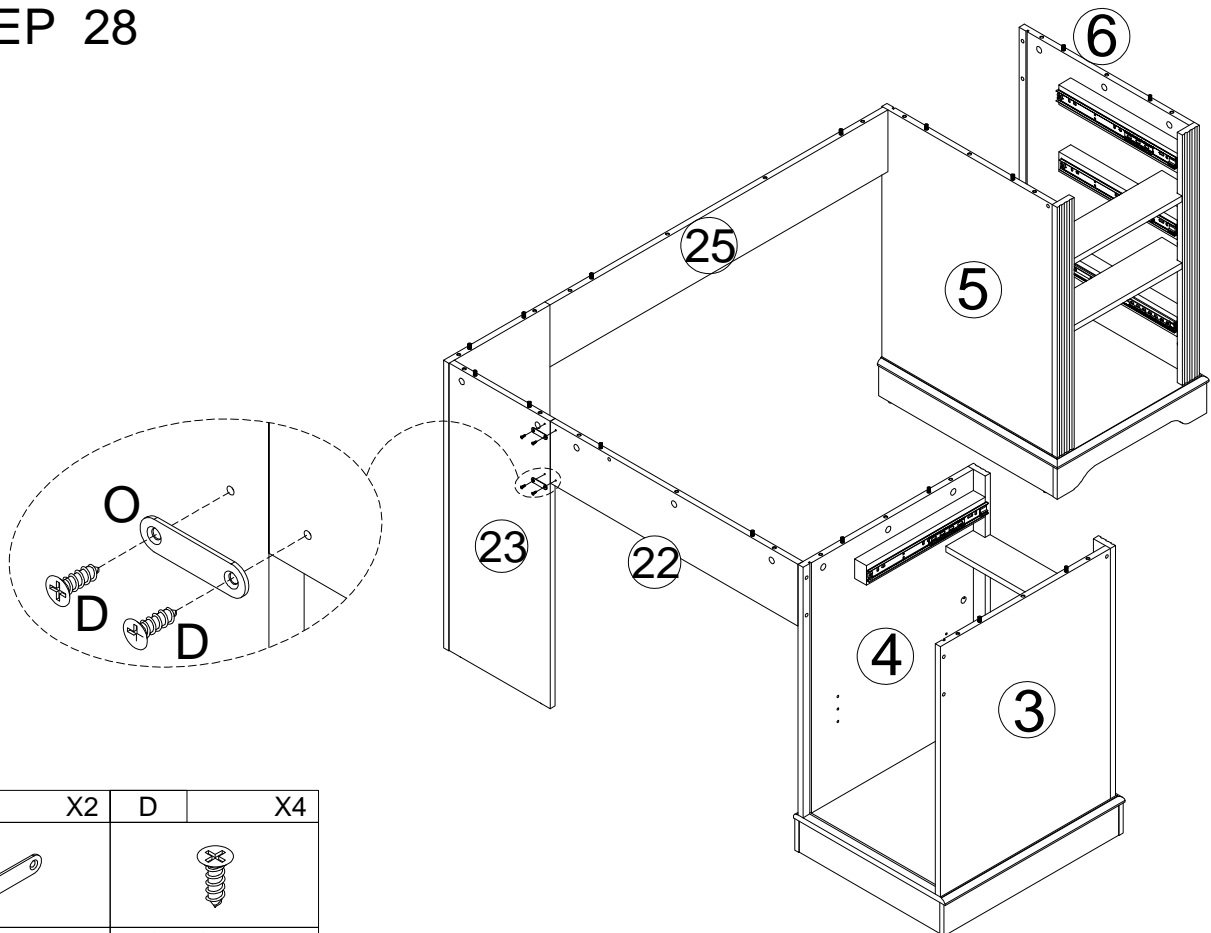
INSTALLATION INSTRUCTION

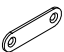

STEP 27



N	X2
	
Ø7x38mm	

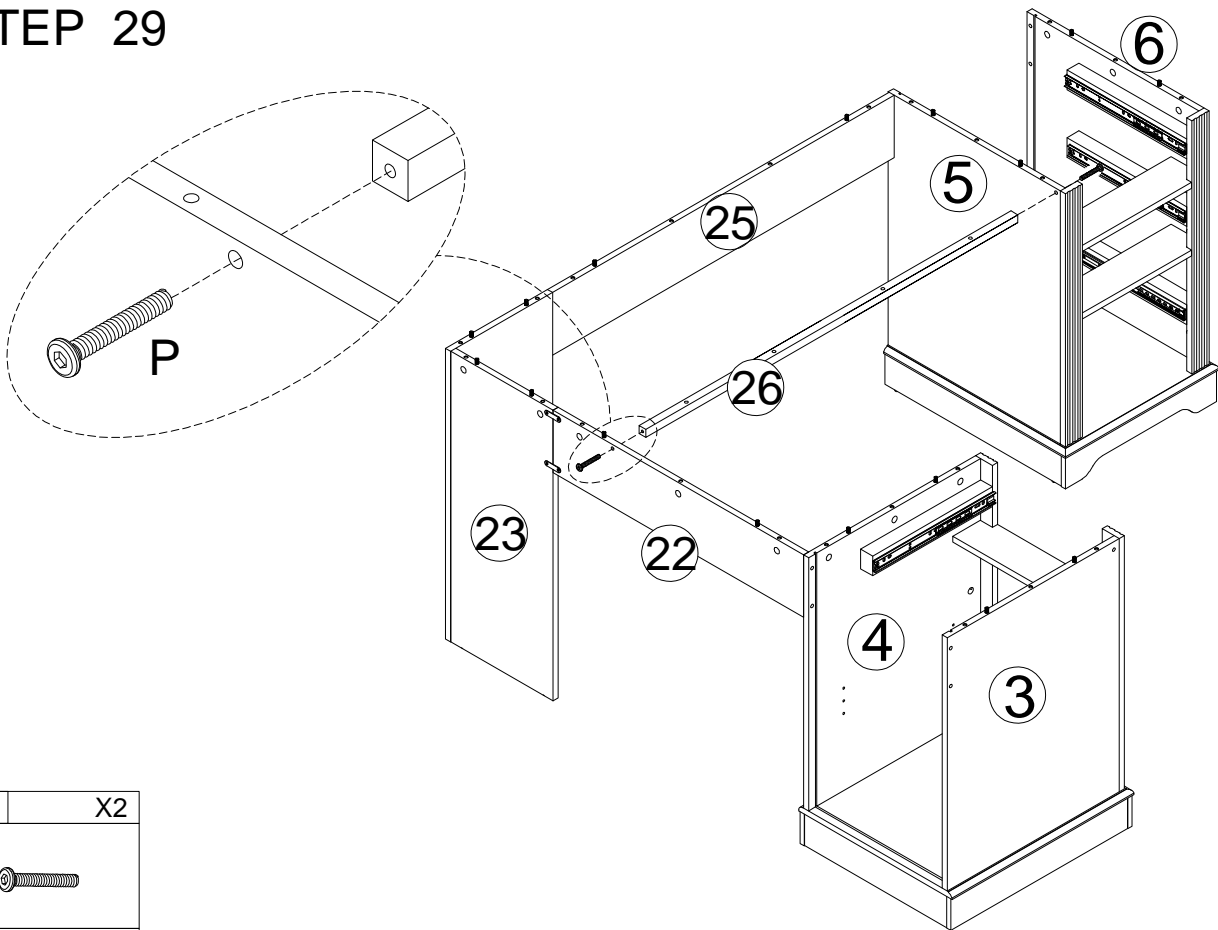
STEP 28




O	X2	D	X4
			
Ø6xØ3x12mm			

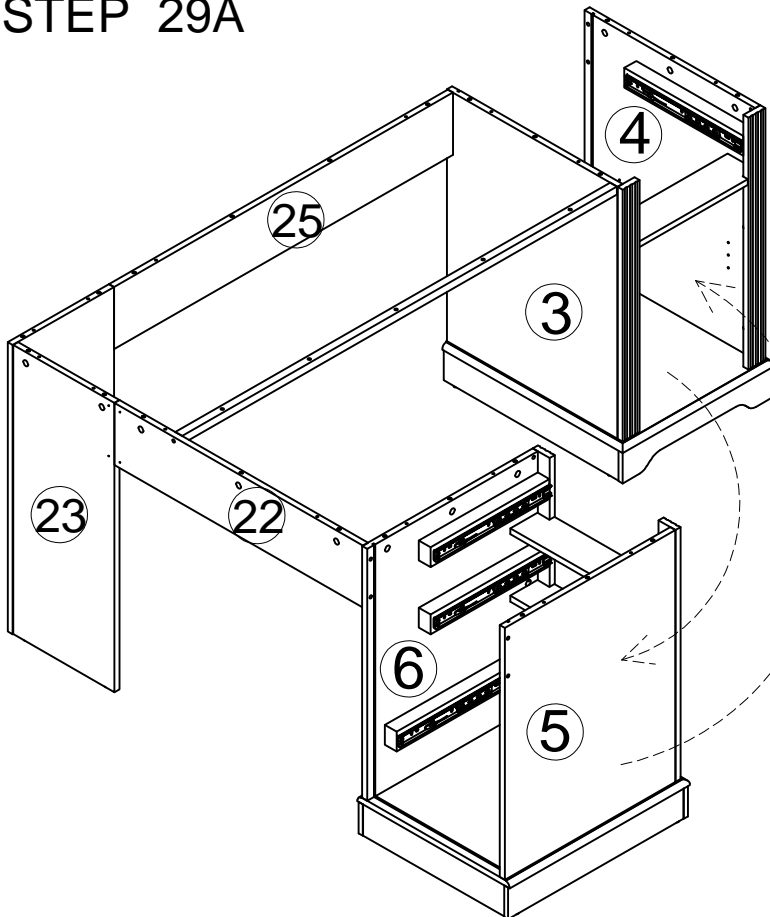
INSTALLATION INSTRUCTION

STEP 29



P	X2
	
M6x32mm	

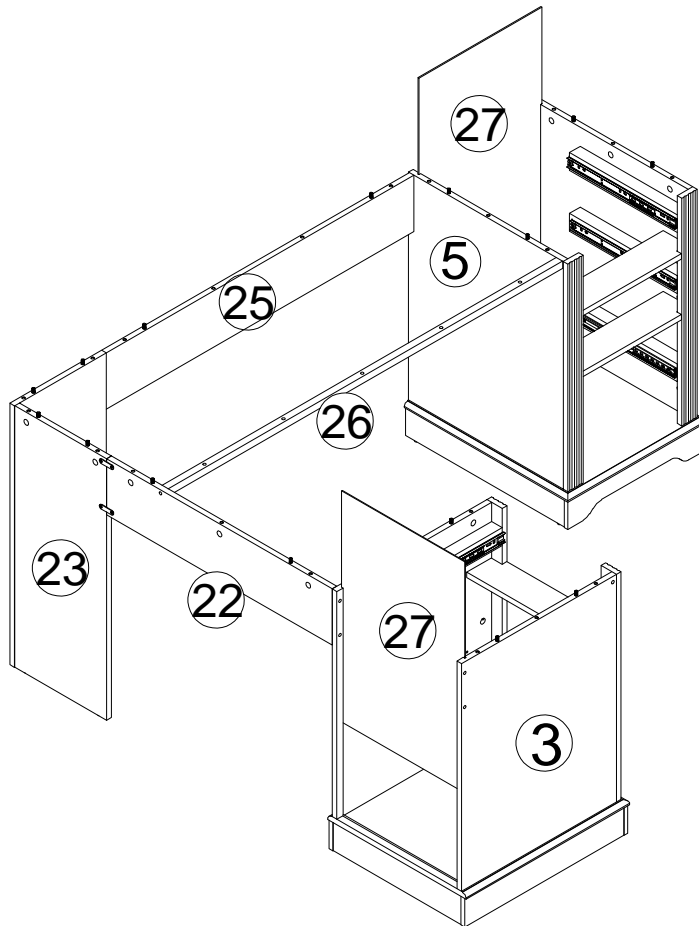
STEP 29A



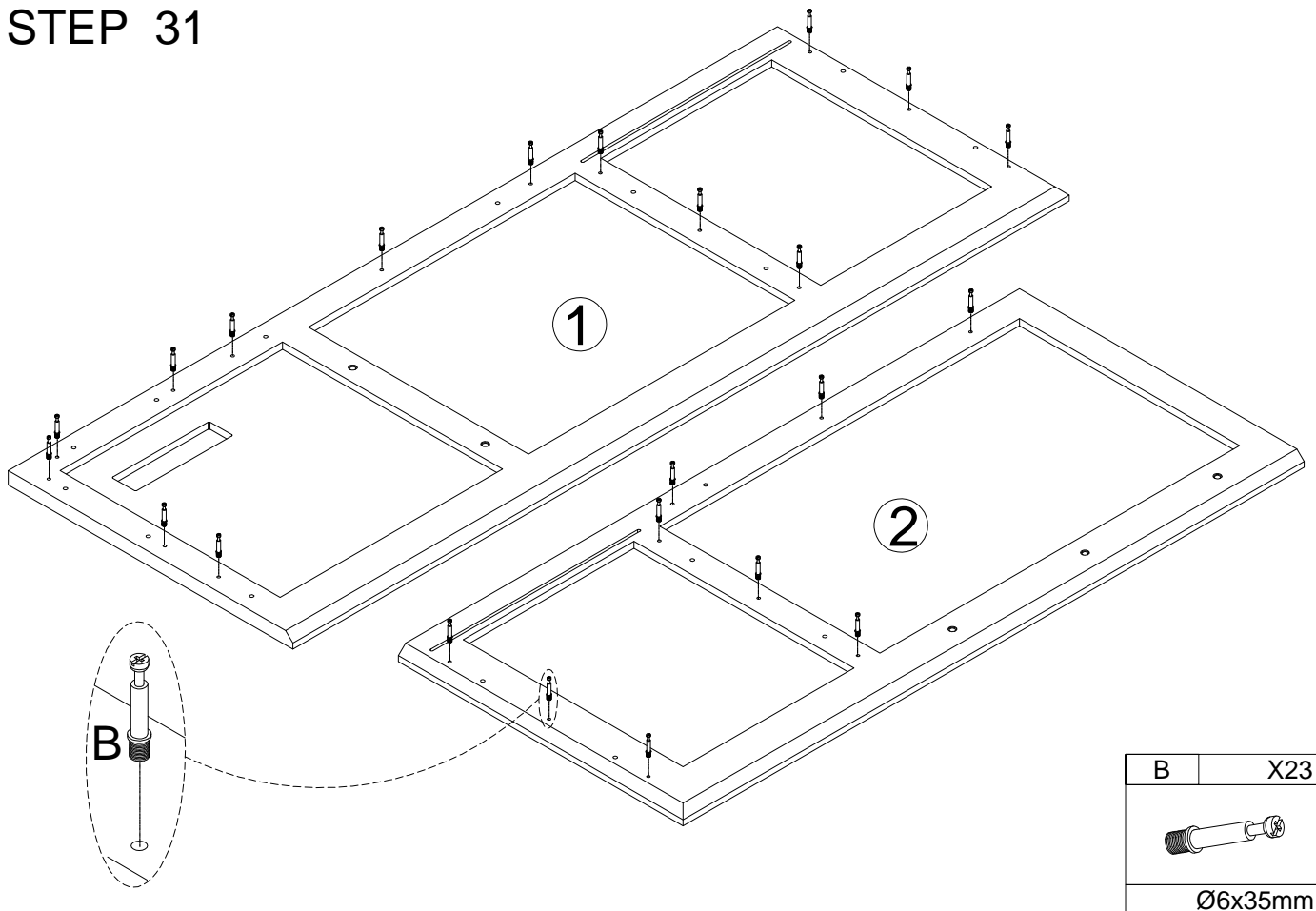
The two cabinets
can be replaced and
installed left and
right

INSTALLATION INSTRUCTION

STEP 30



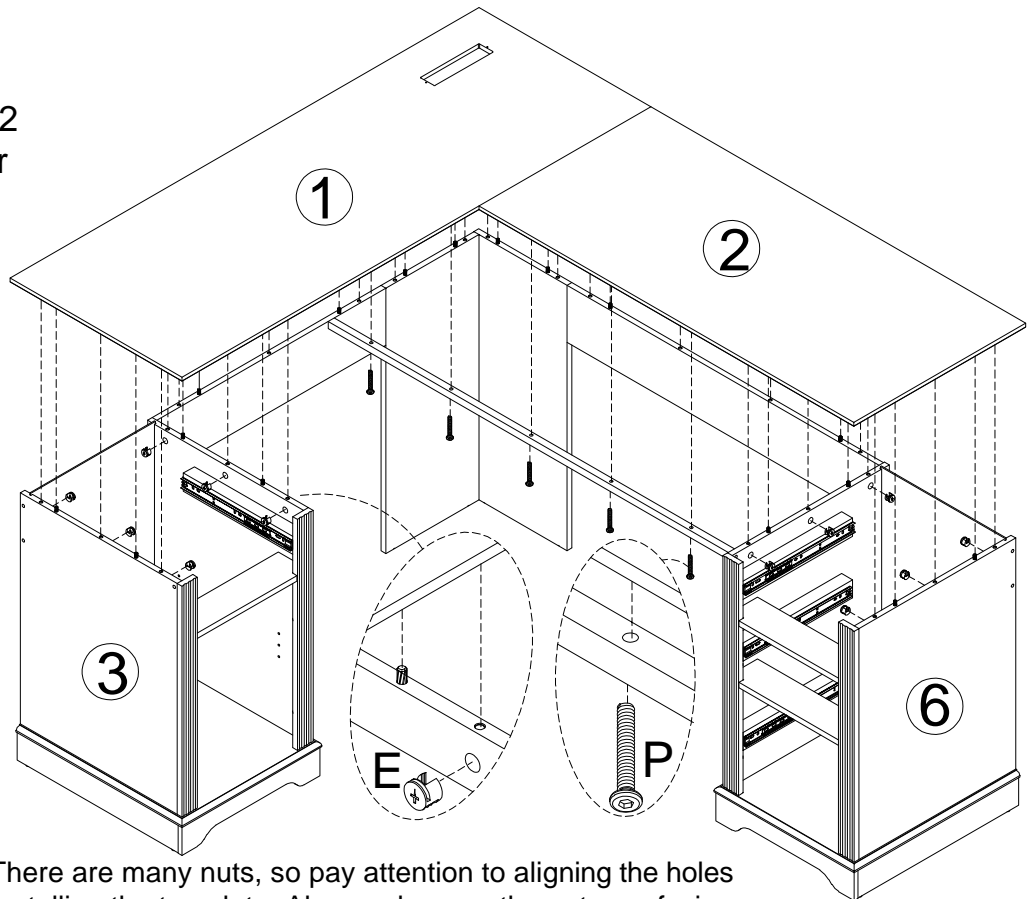
STEP 31





INSTALLATION INSTRUCTION

STEP 32

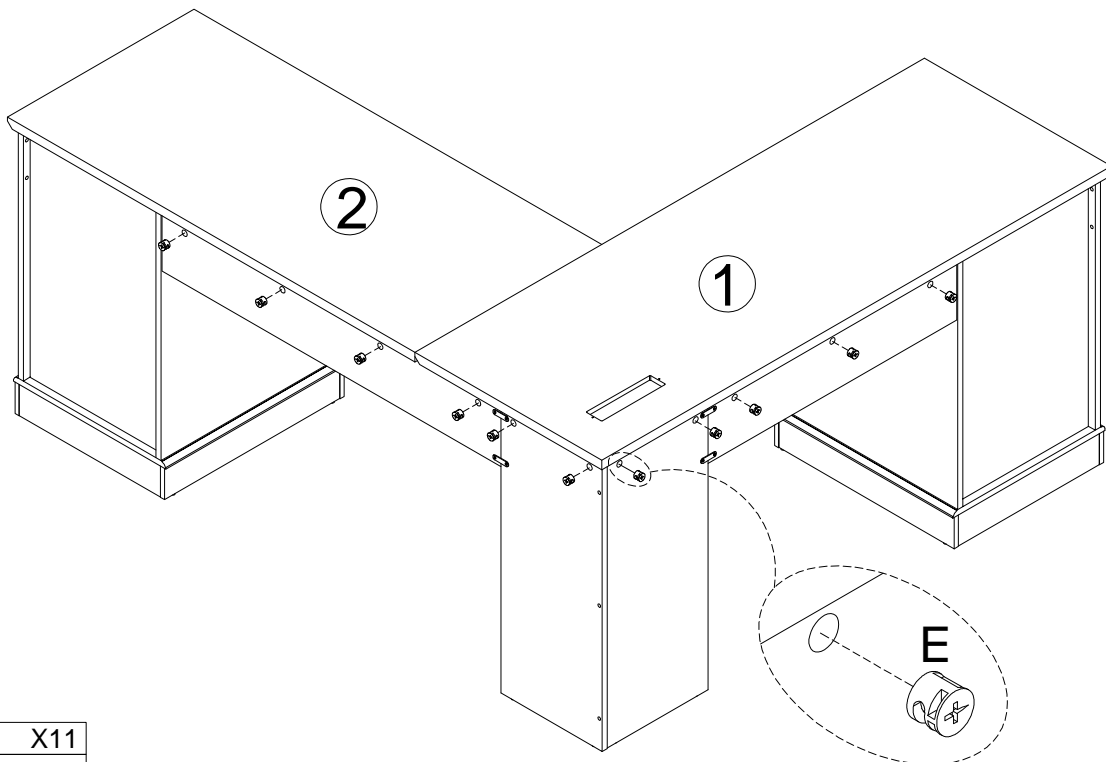
Plate 1 and plate 2 are sewn together and then locked screw and 2-in-1 disc

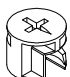


E	X12
	
Ø15x10mm	
P	X5
	
M6x32mm	

Note: There are many nuts, so pay attention to aligning the holes when installing the top plate. Also, make sure the nuts are facing upwards to facilitate accurate insertion of the screws.

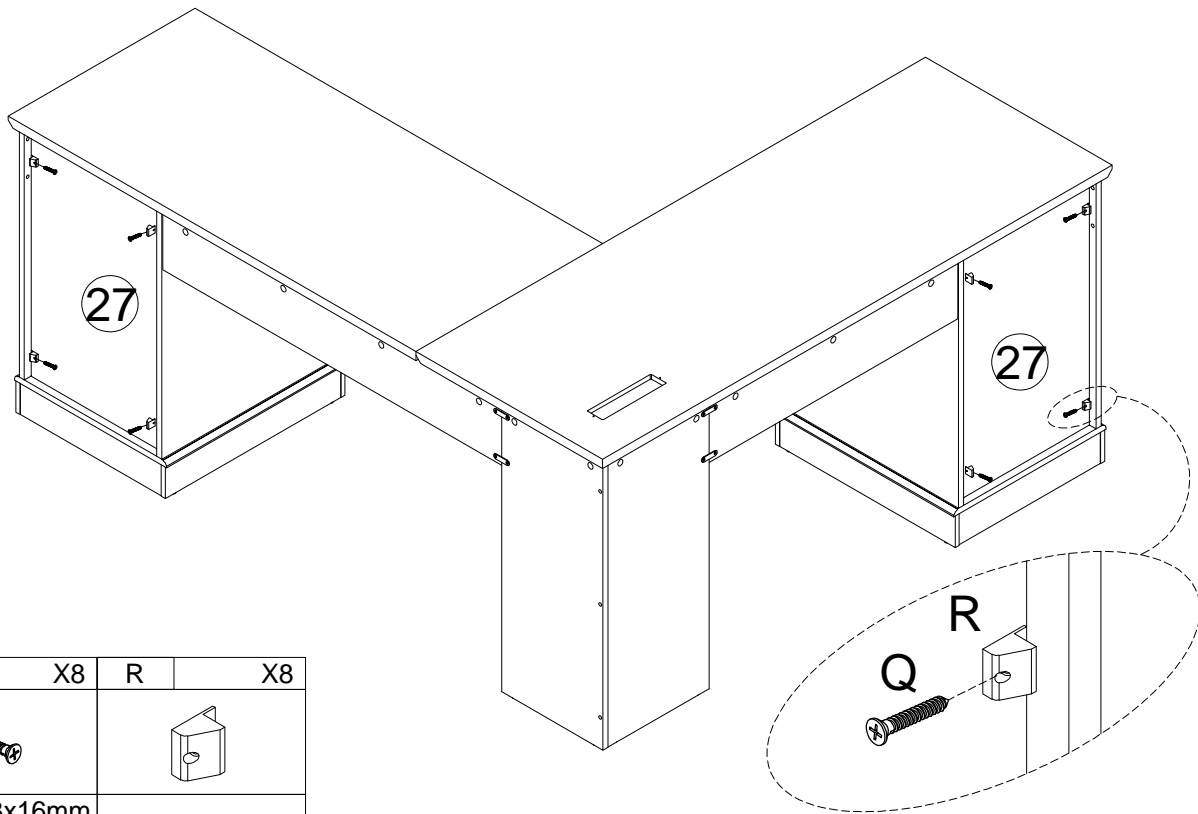
STEP 33


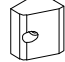


E	X11
	
Ø15x10mm	

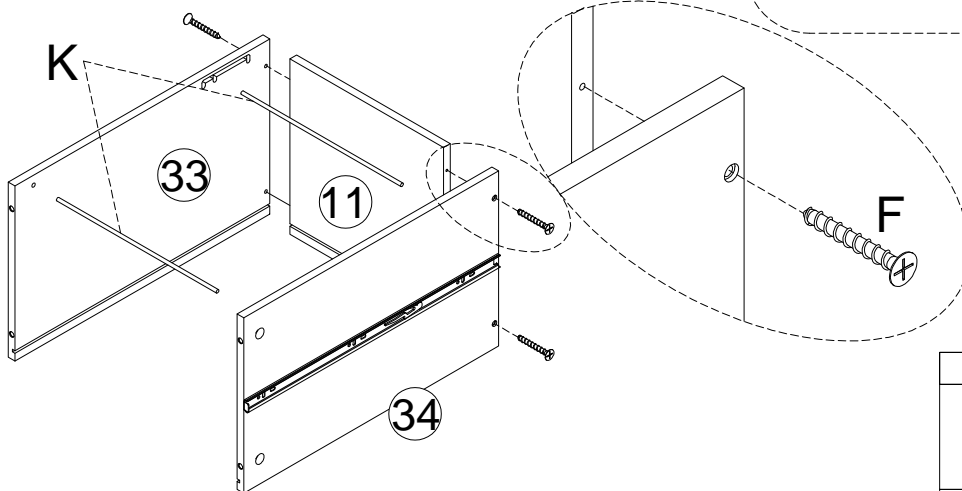
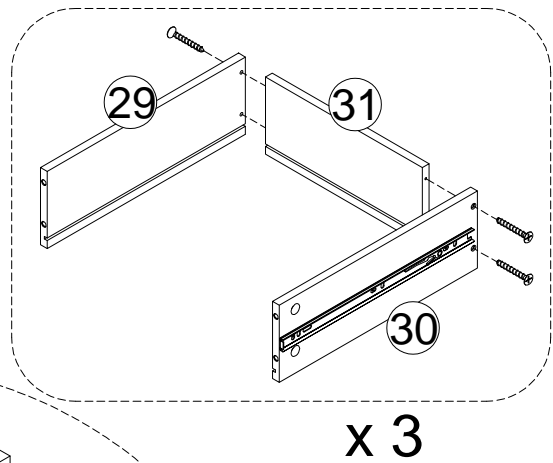
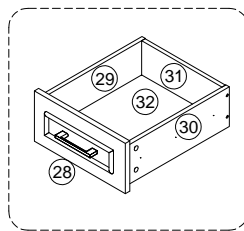
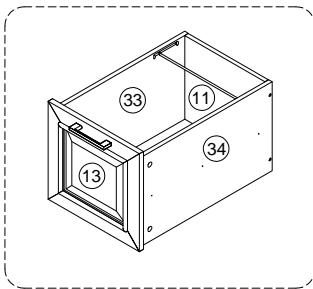
INSTALLATION INSTRUCTION

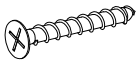

STEP 34



Q	X8	R	X8
			
Ø6xØ3x16mm			

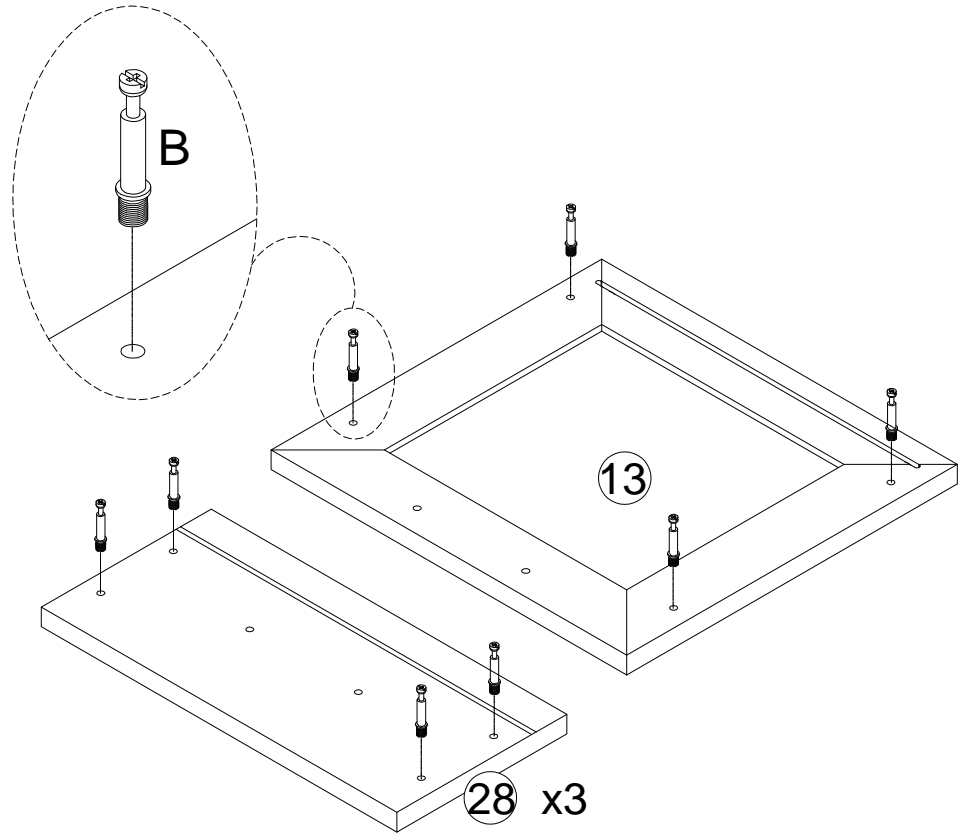
STEP 35



F	X16	K	X2
			
Ø8xØ4x35mm			

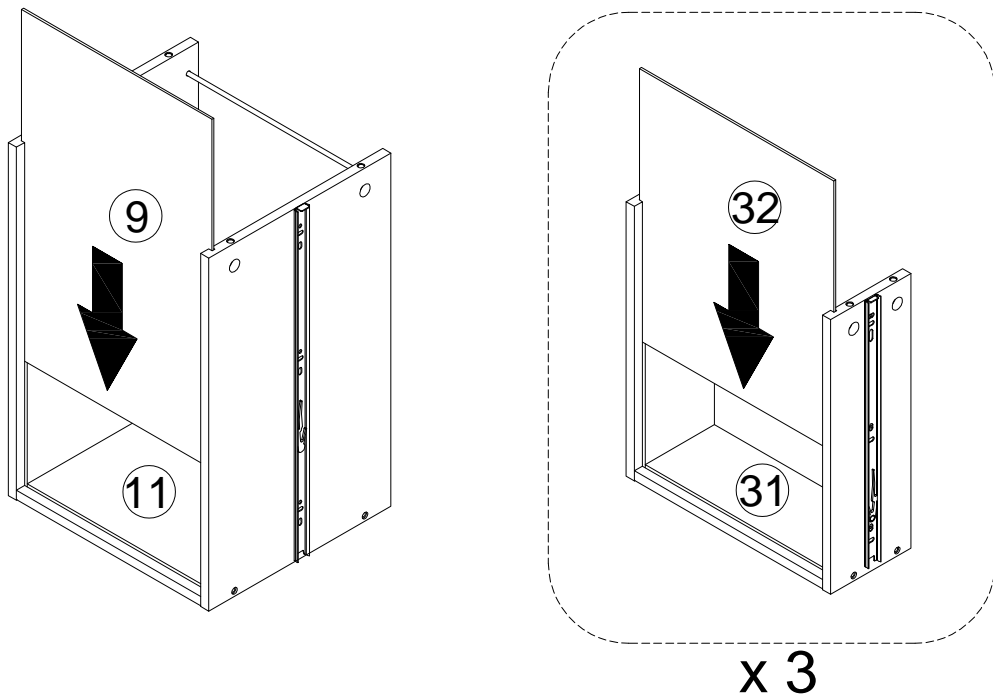
INSTALLATION INSTRUCTION

STEP 36



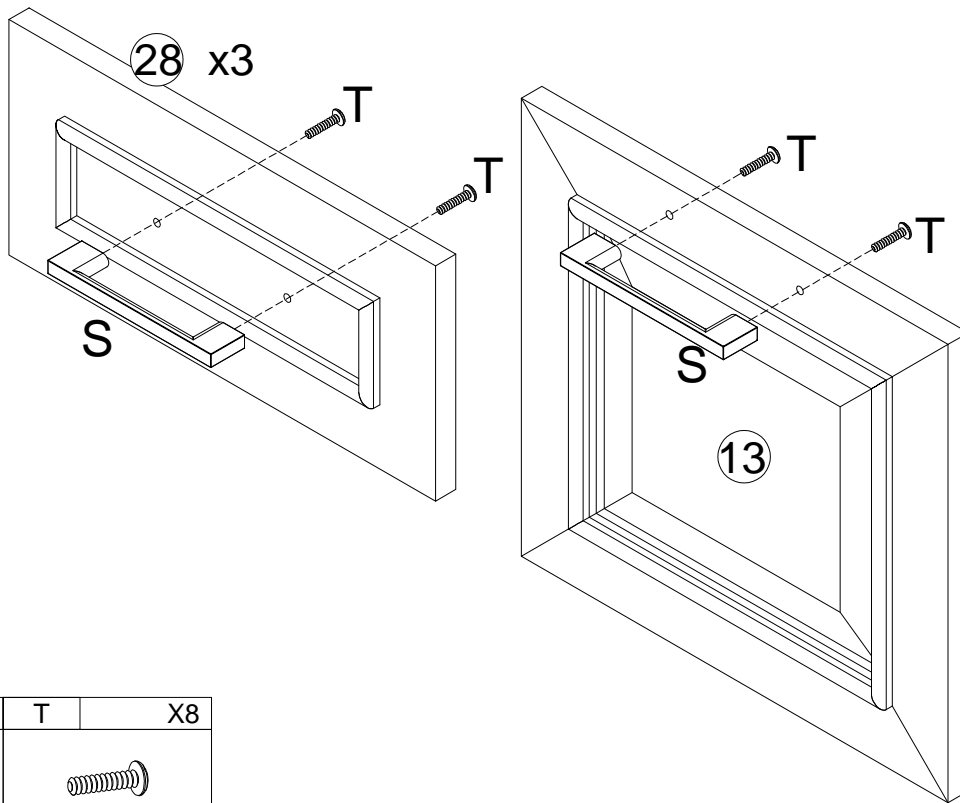
B	X16
Ø6x35mm	

STEP 37



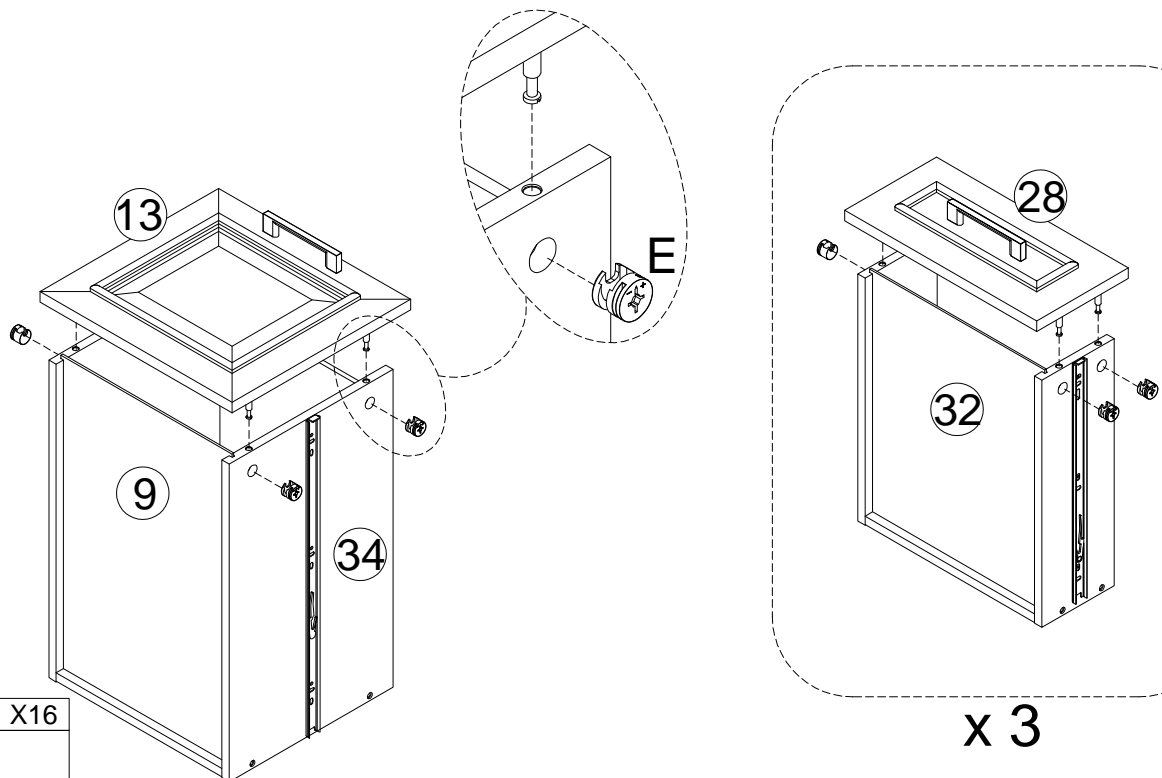
INSTALLATION INSTRUCTION

STEP 38



S	X4	T	X8
		M4x18mm	

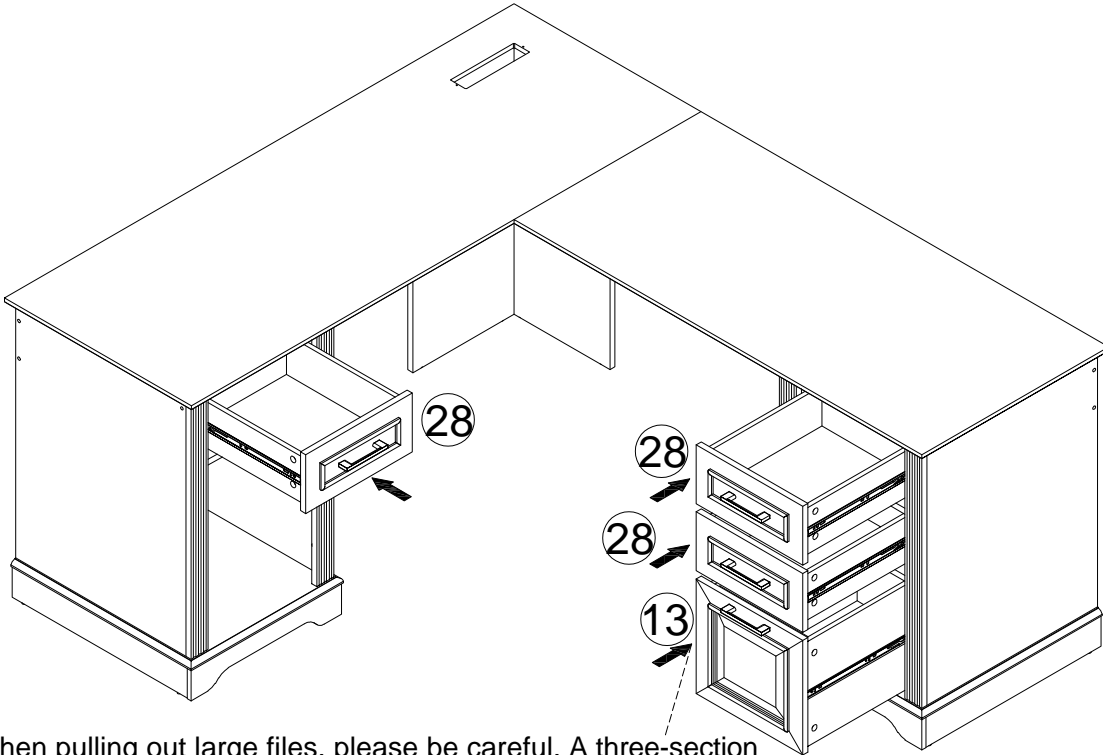
STEP 39



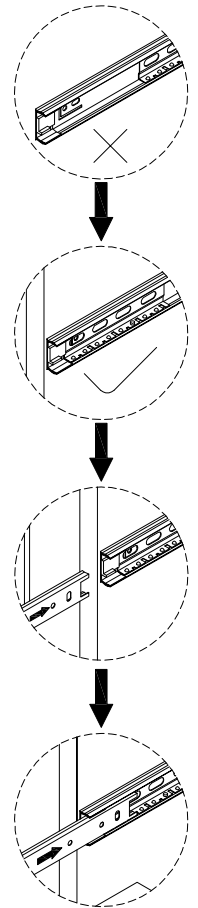
E	X16
Ø15x10mm	

INSTALLATION INSTRUCTION

STEP 40

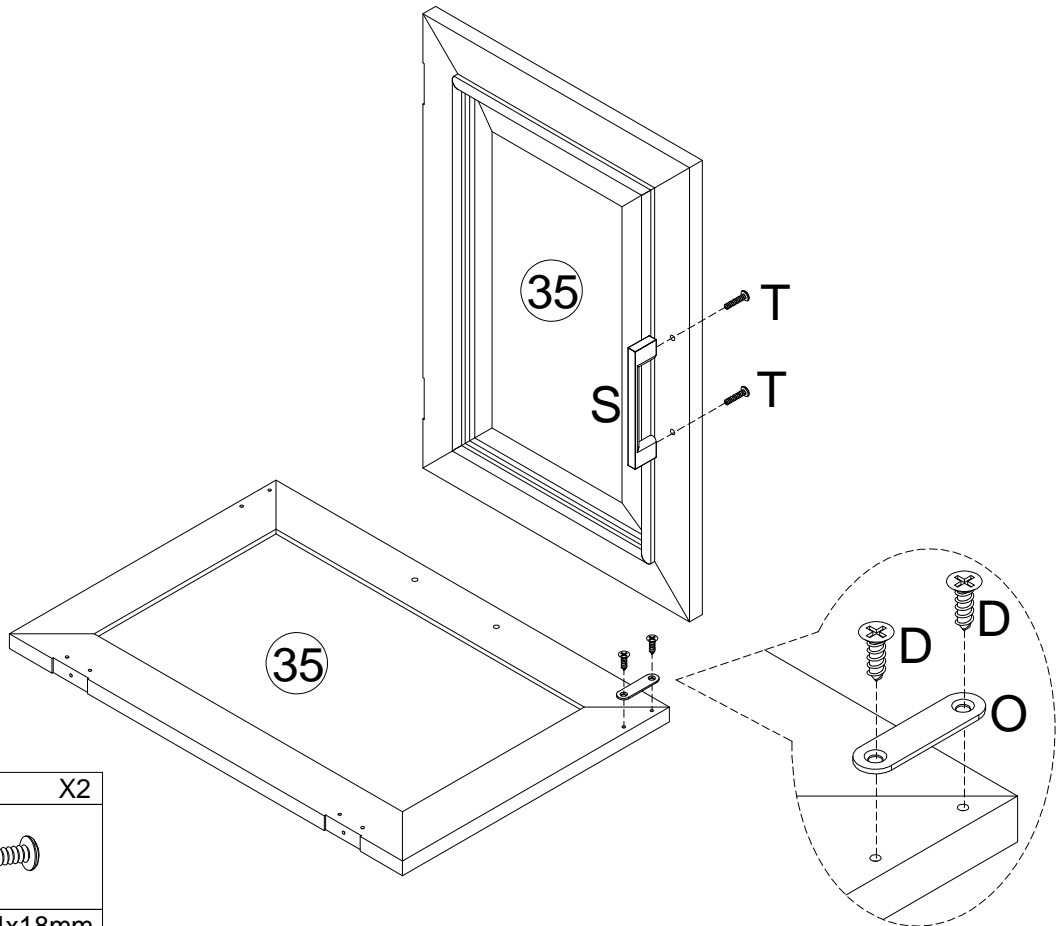


When pulling out large files, please be careful. A three-section guide rail is used to facilitate the hanging and taking of files. It is recommended to pull out two-thirds of the file when placing heavy objects.



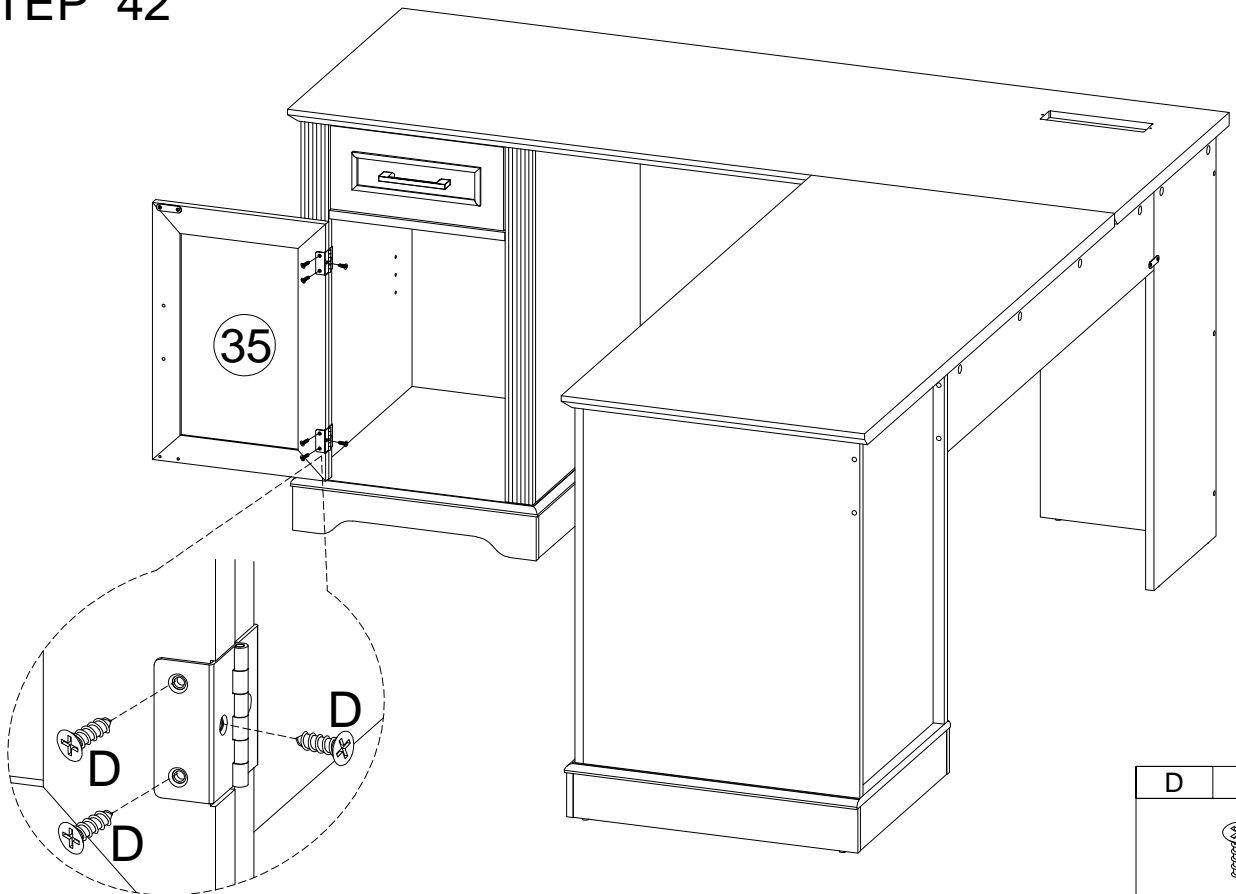
STEP 41


O	X1		
D	X2		
Ø6xØ3x12mm			
S	X1	T	X2
		M4x18mm	



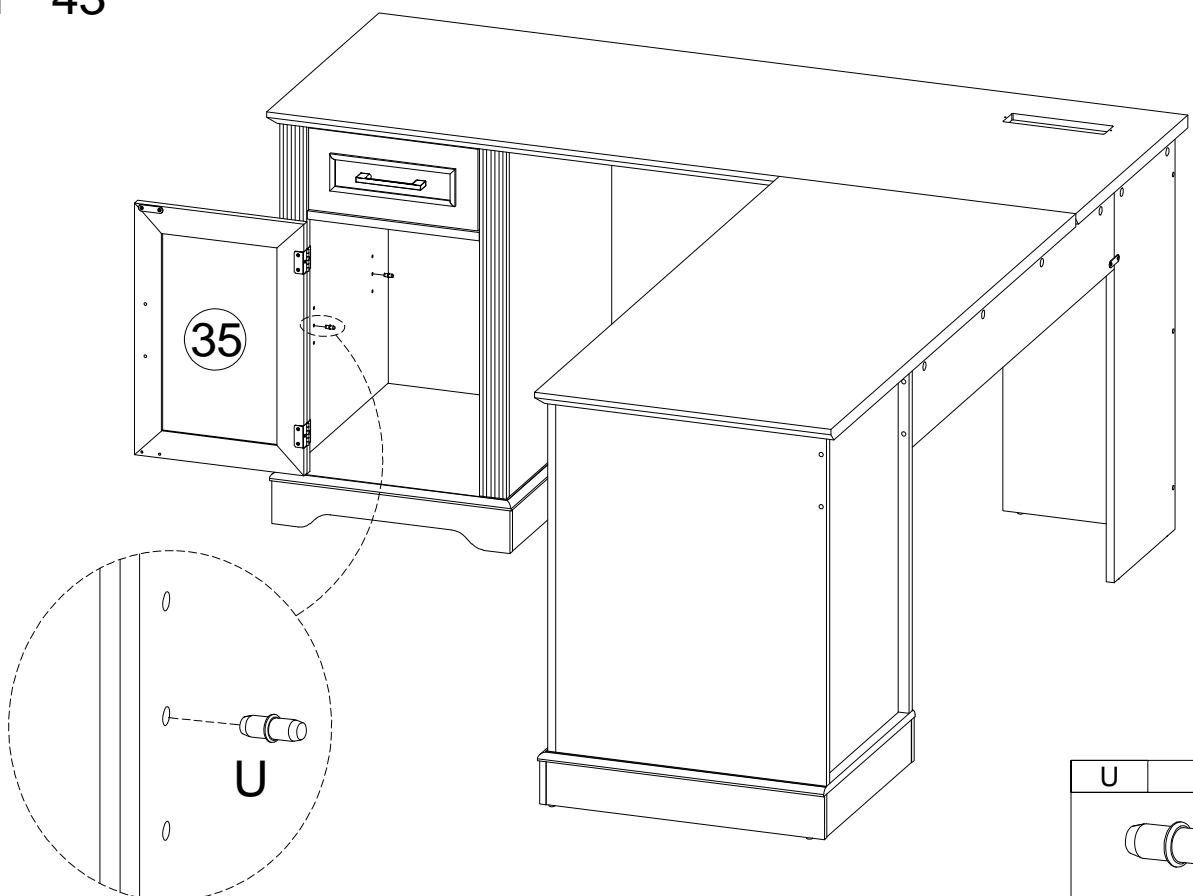
INSTALLATION INSTRUCTION


STEP 42



D	X6
	
Ø6xØ3x12mm	

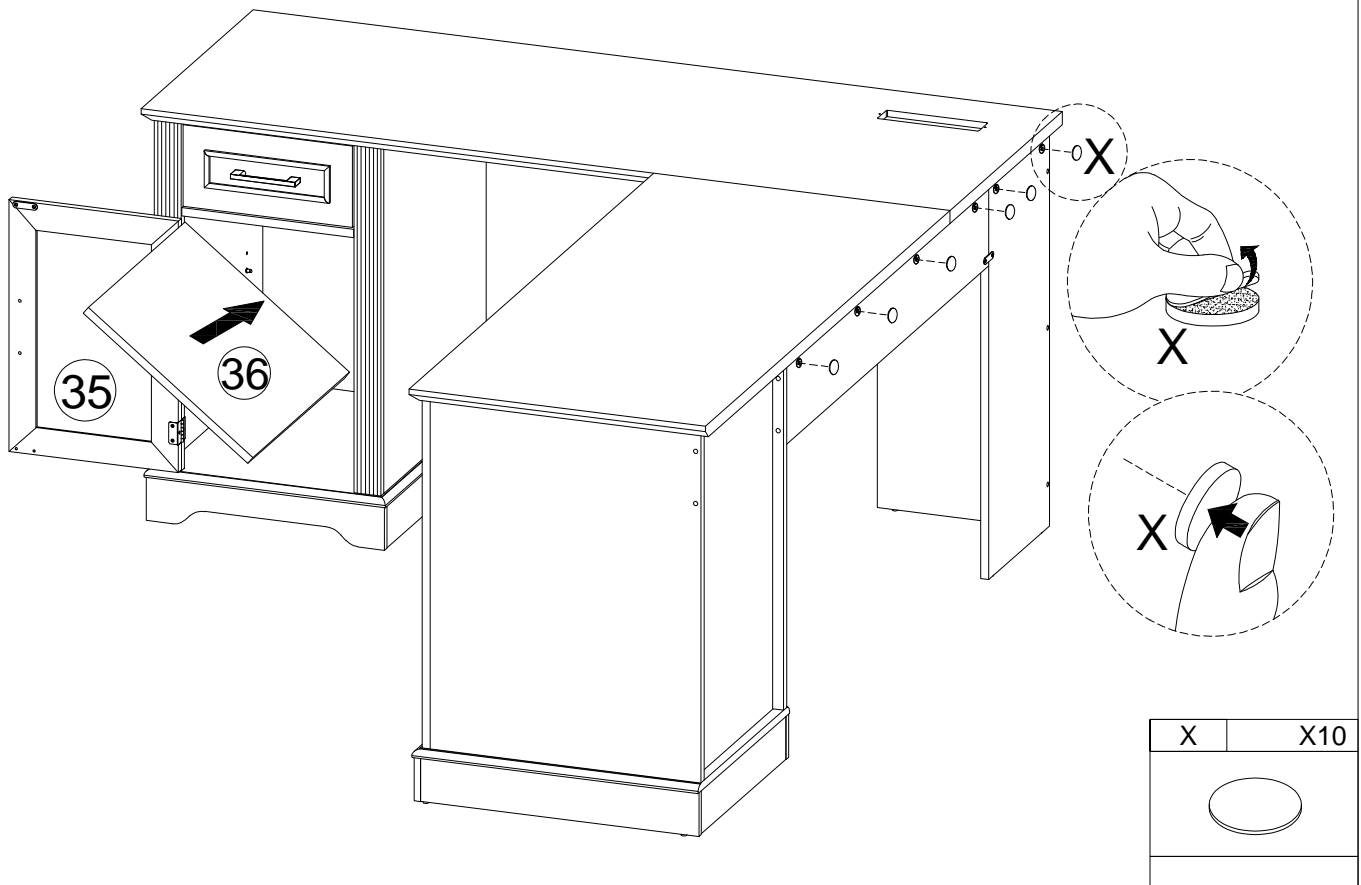
STEP 43



U	X4
	

INSTALLATION INSTRUCTION

STEP 44



STEP 45

