

ASNG107

Wood dresser

V3.2

wlive-cs@devaise.com



IMPORTANT INFORMATION

READ CAREFULLY.

KEEP THIS INFORMATION FOR FURTHER REFERENCE.

GENERAL GUIDELINES

- Please read the following instruction carefully and use the product accordingly.
- Please keep this manual and hand it over when you transfer the product.
- This summary may not include every detail of all variations and considered steps. Please **contact us** when further information and help are needed.

NOTES

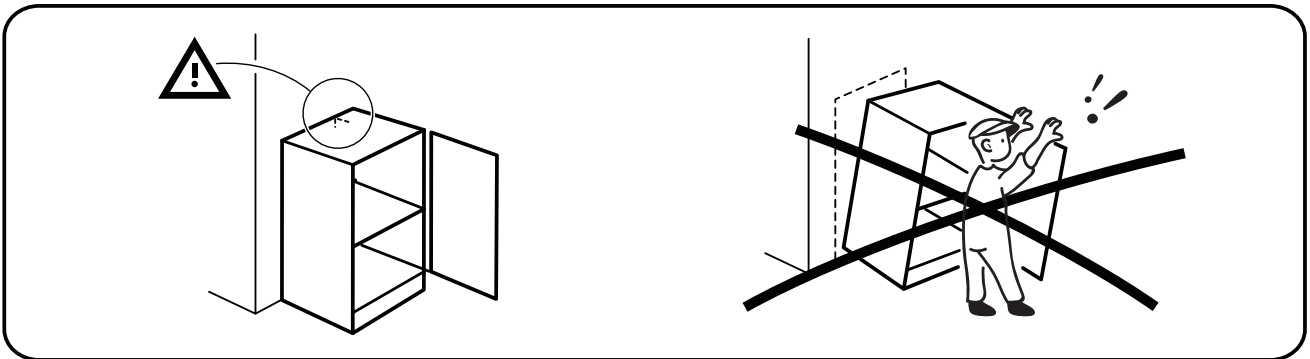
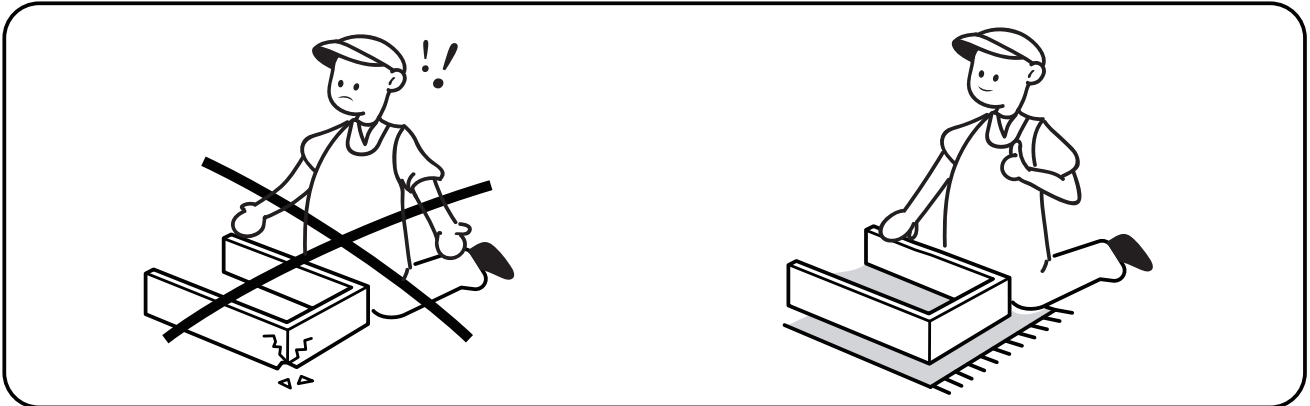
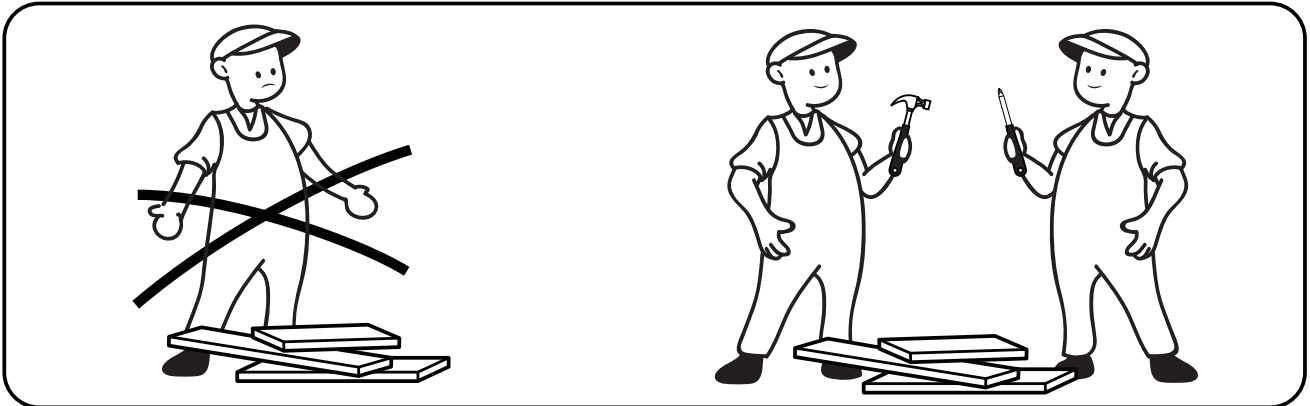
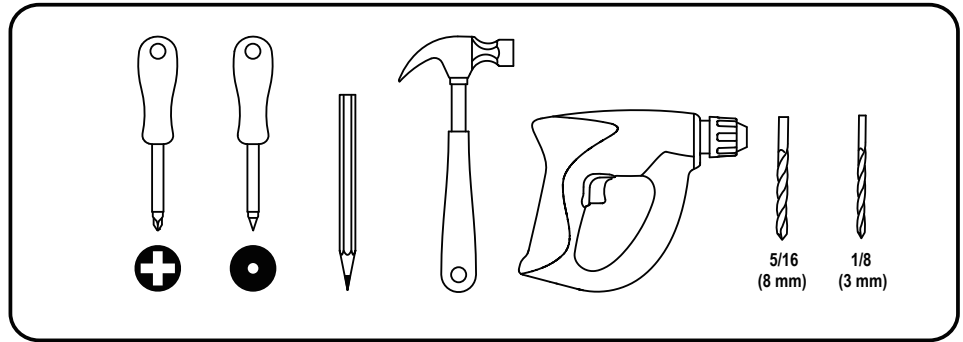
- Please follow the assembly instructions precisely and only use the product as intended.
- If an odor is present when first opening the package, please leave the unwrapped product in a shaded and ventilated area for a few days to air out.
- Prior to assembly, please check the product for defects or missing accessories. If any defects are found or accessories are missing, do not use product as damage or injury may occur;
Please **contact us** for assistance and replacement.
- It is suggested you regularly check the products bolts and connections to ensure safe use.
- Assemble the item on a soft flat and clean surface to avoid scratches and damage.
- It is recommended that two people assemble this product.

WARNINGS

- During assembly, keep parts and packaging materials away from children and pets as there could cause injury and are a potential choking hazard.
- Avoid sharp objects or corrosive chemicals to prevent damage to the product.
- Please open the item slowly and cautiously to avoid pinching your hands by metal joints, especially children.

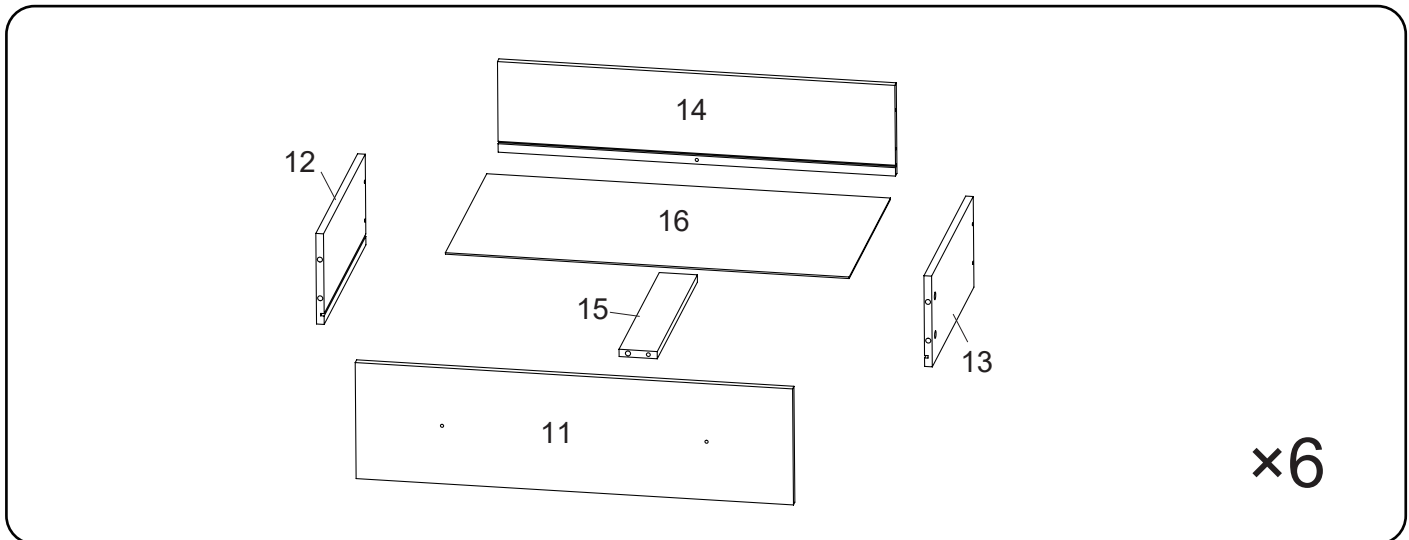
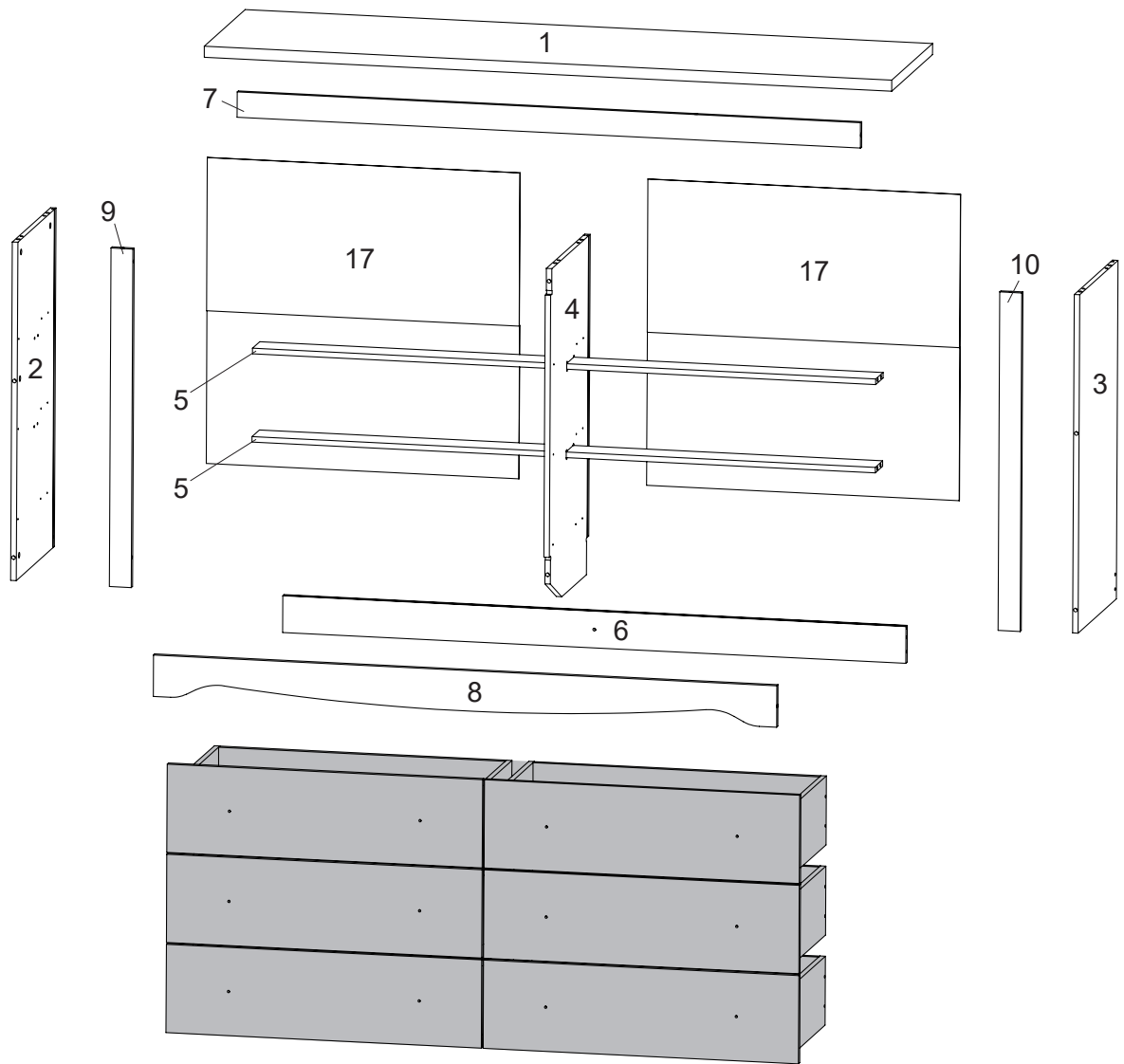
ANTI-TIP WARNING

- Serious or fatal crushing injuries can occur from furniture tip-over. To prevent this furniture from tipping over it must be permanently fixed to the wall.
- Since different wall materials require different types of fixing device, for advice on suitable fixing systems, contact your local specialized dealer.

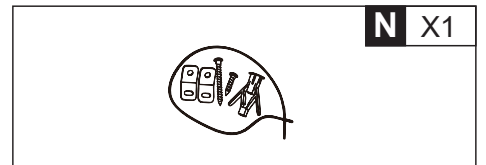
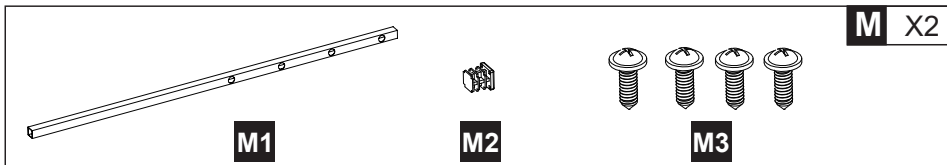
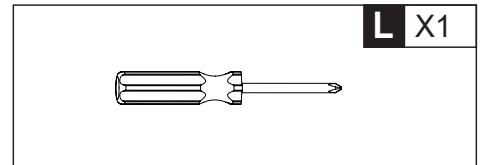
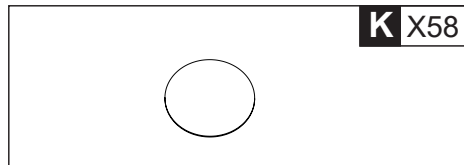
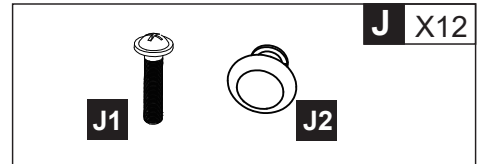
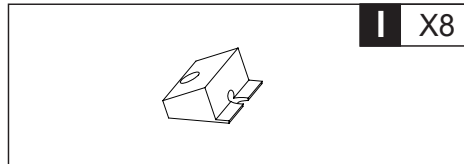
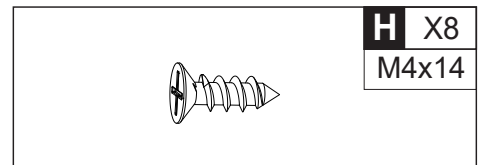
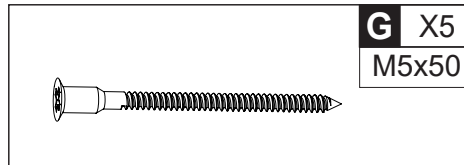
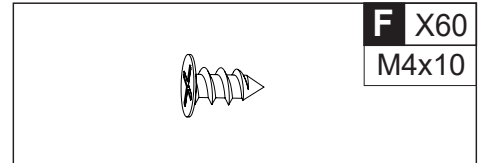
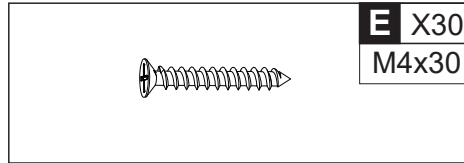
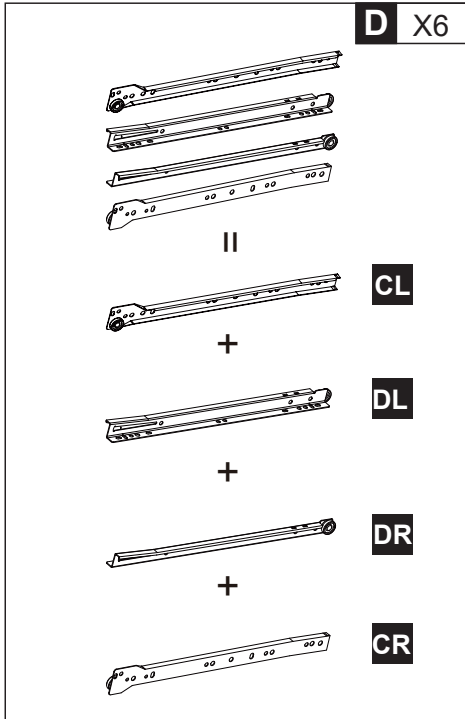
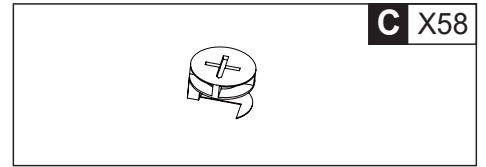
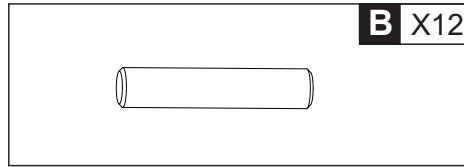
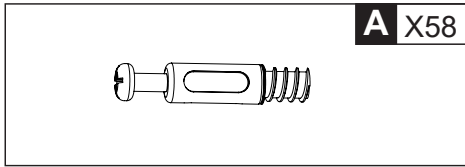


- If you have any further questions, please feel free to contact us by email or official website: wlive-cs@deவை.com
We will reply ASAP.
- Before installation, please make sure you have all the hardware, the serial numbers are properly labeled corresponding to the list, and the quantity is correct.
- Enjoy your new purchase!

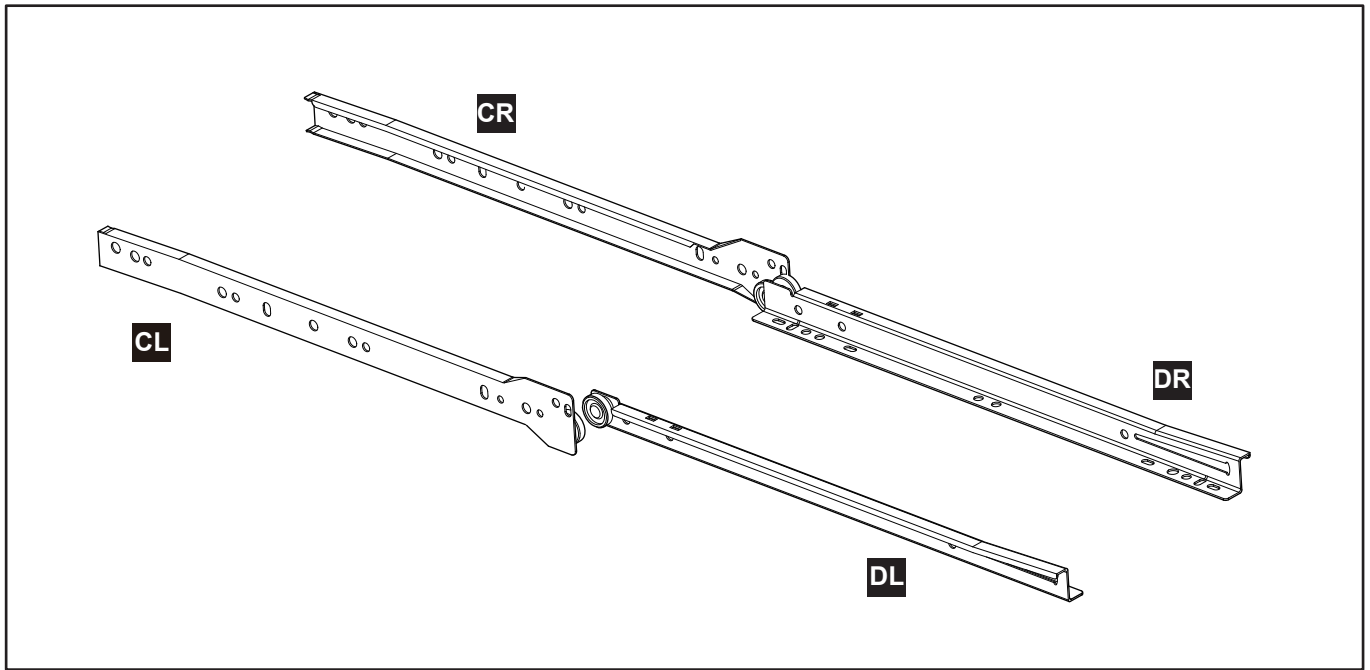
EXPLODED DRAWING



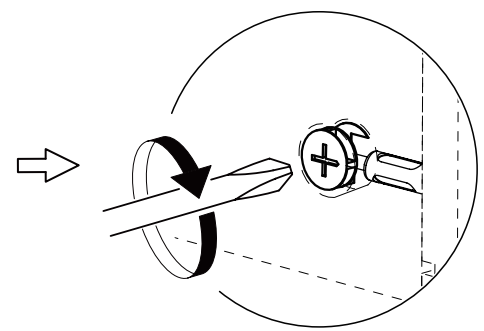
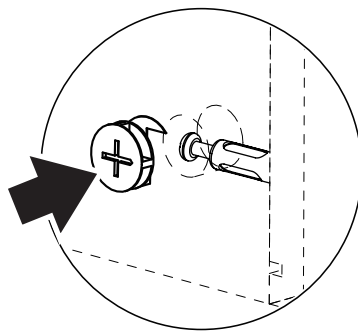
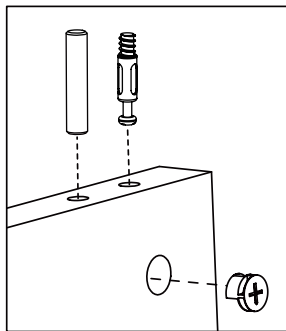
PARTS



REMARK

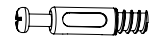


MINIFIX POSITION



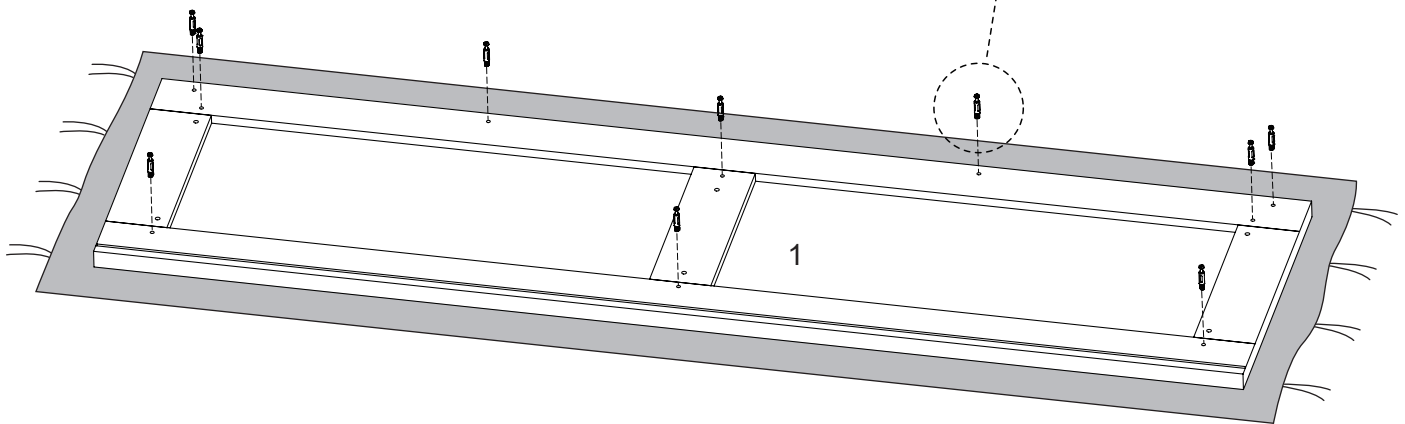
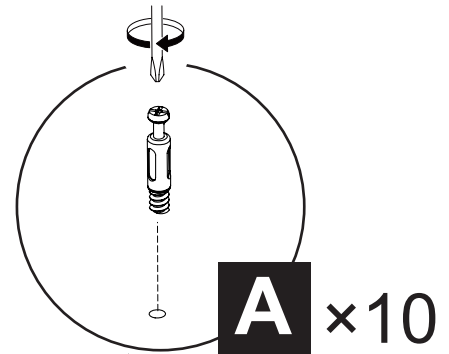
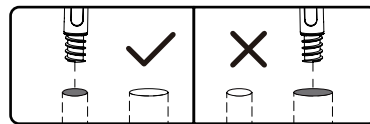
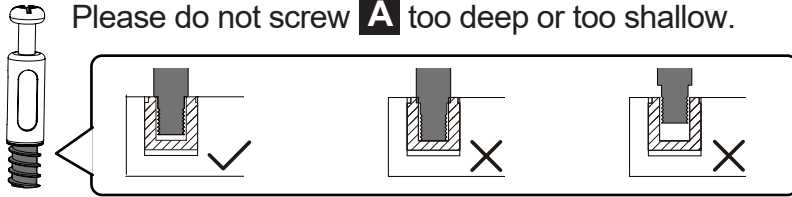
1

A X10

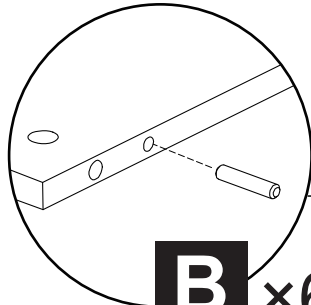
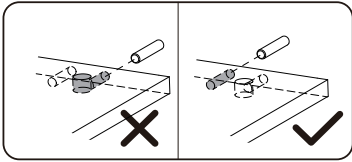
**REMARK**

1. Put a blanket under the board to avoid scratch or damage.

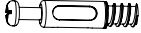

Please do not screw **A** too deep or too shallow.

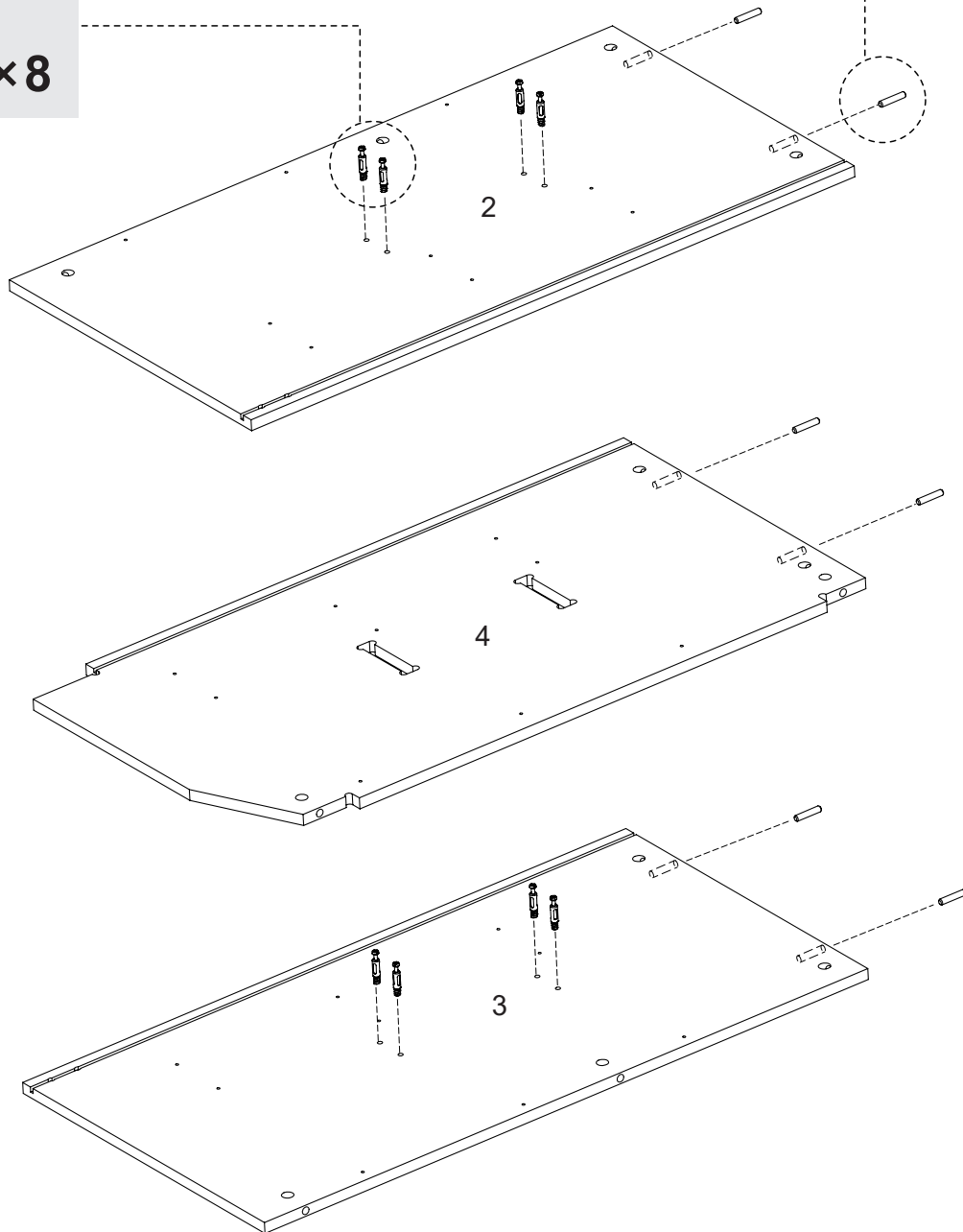
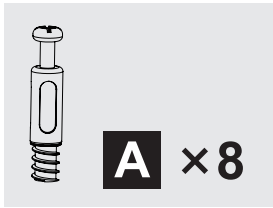


2

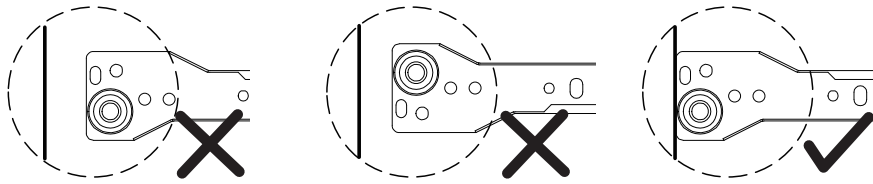


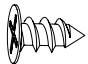

B x6

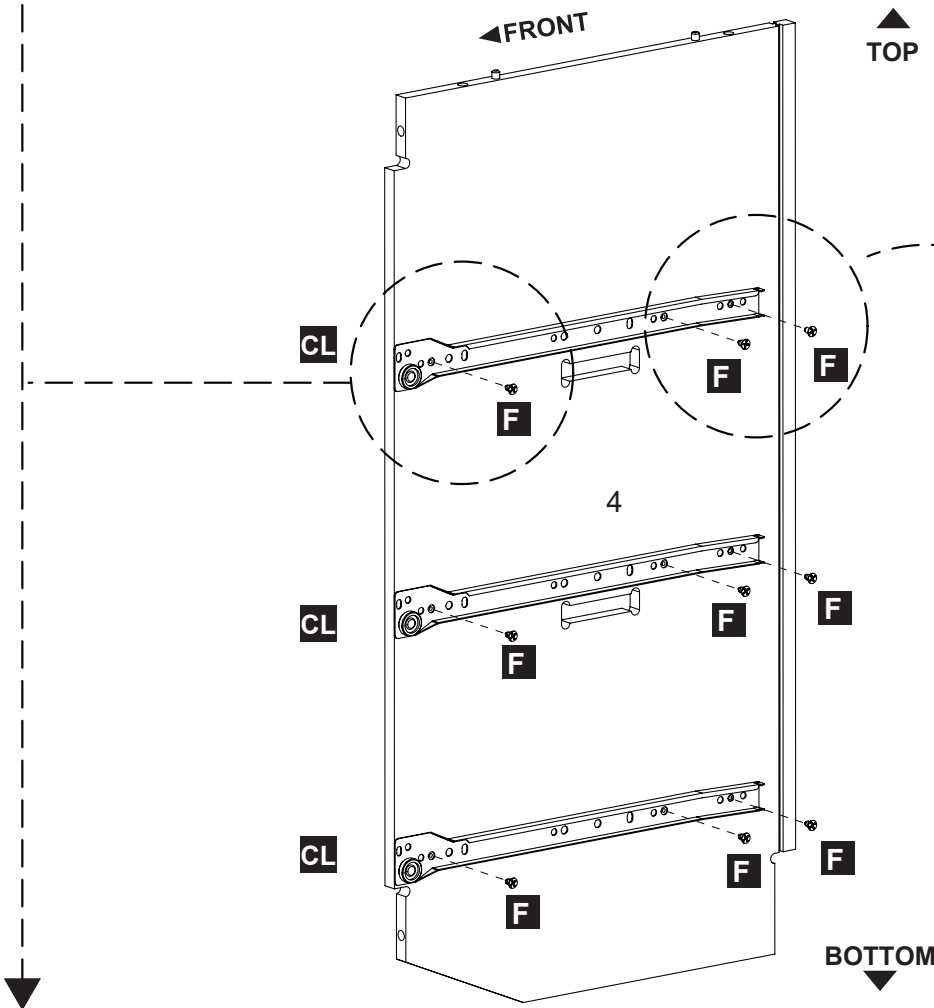
	A x8
	B x6



3



	F X9 M4x10
	CL X3

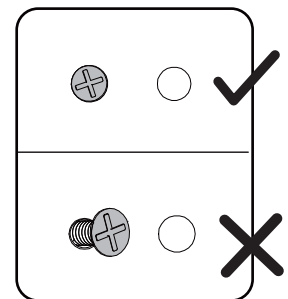
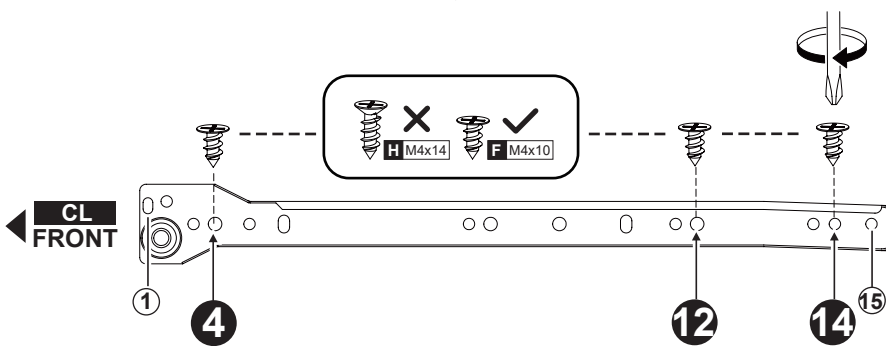


REMARK


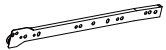
When installing guide rails, align holes **No. 4, 12, and 14** of the guide rails with the reserved holes on the board, and then tighten screws.

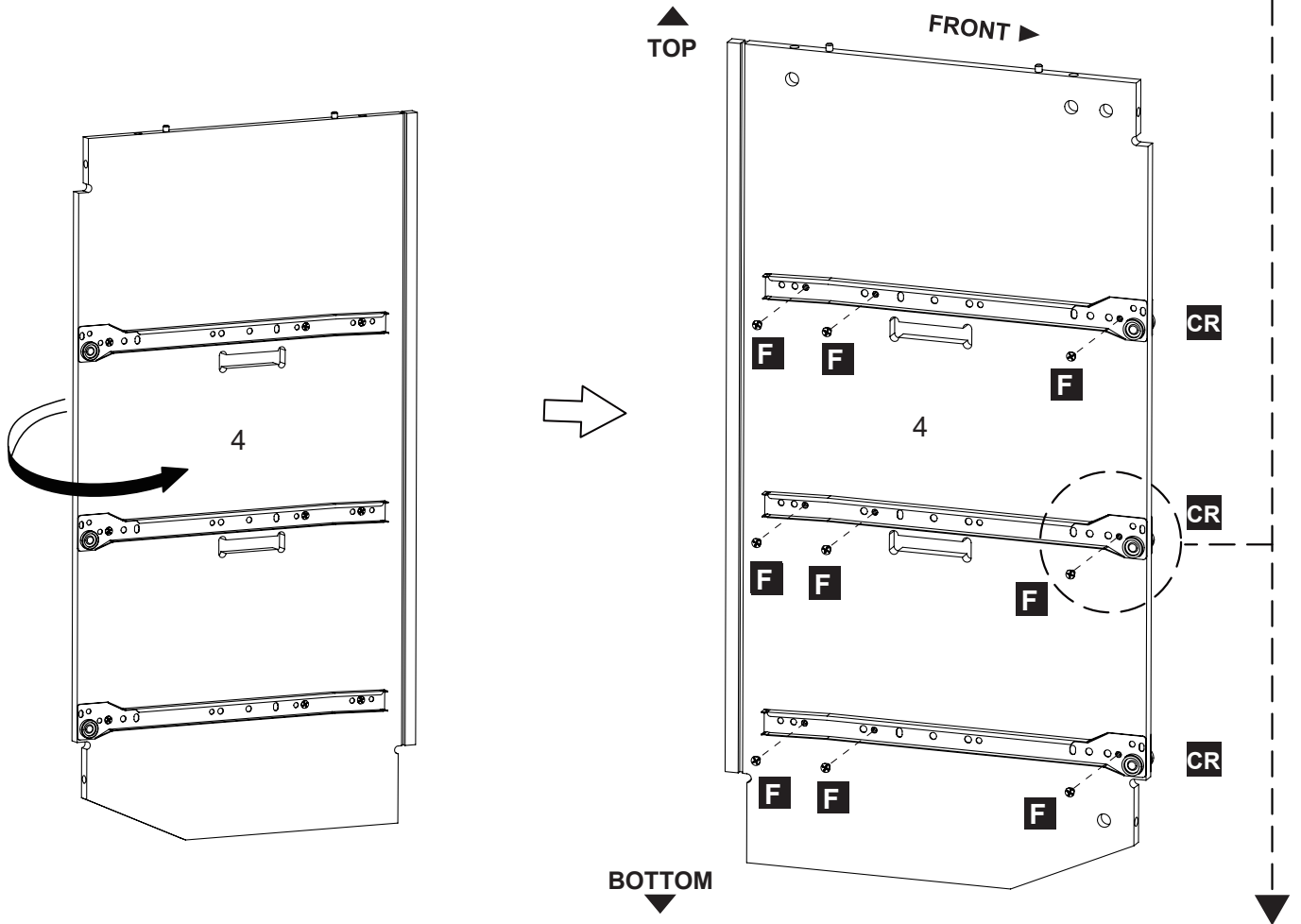
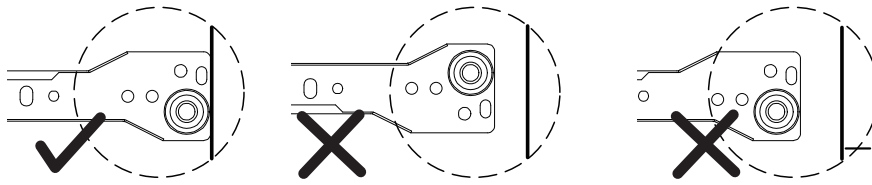
REMARK

When installing, please make sure the screws are flattened, not crooked; Otherwise the drawers will not be installed perfectly.



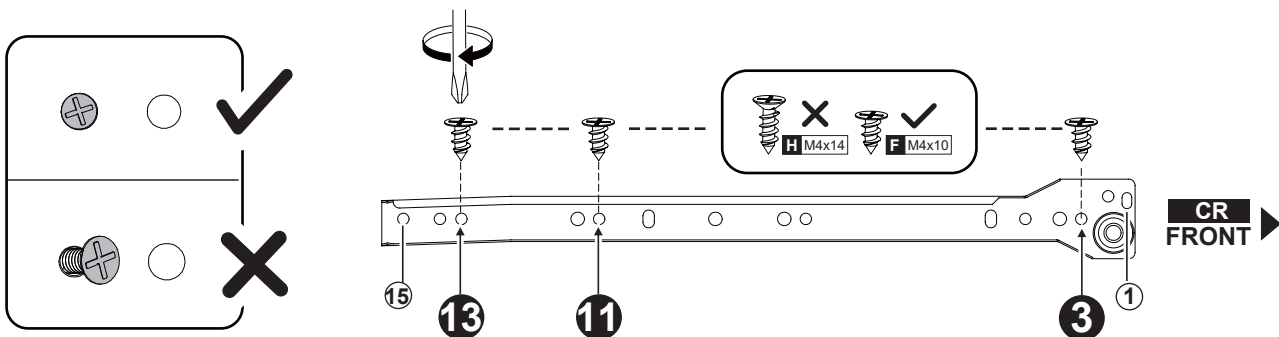
4

	F X9		CR X3
	M4x10		



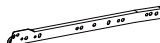


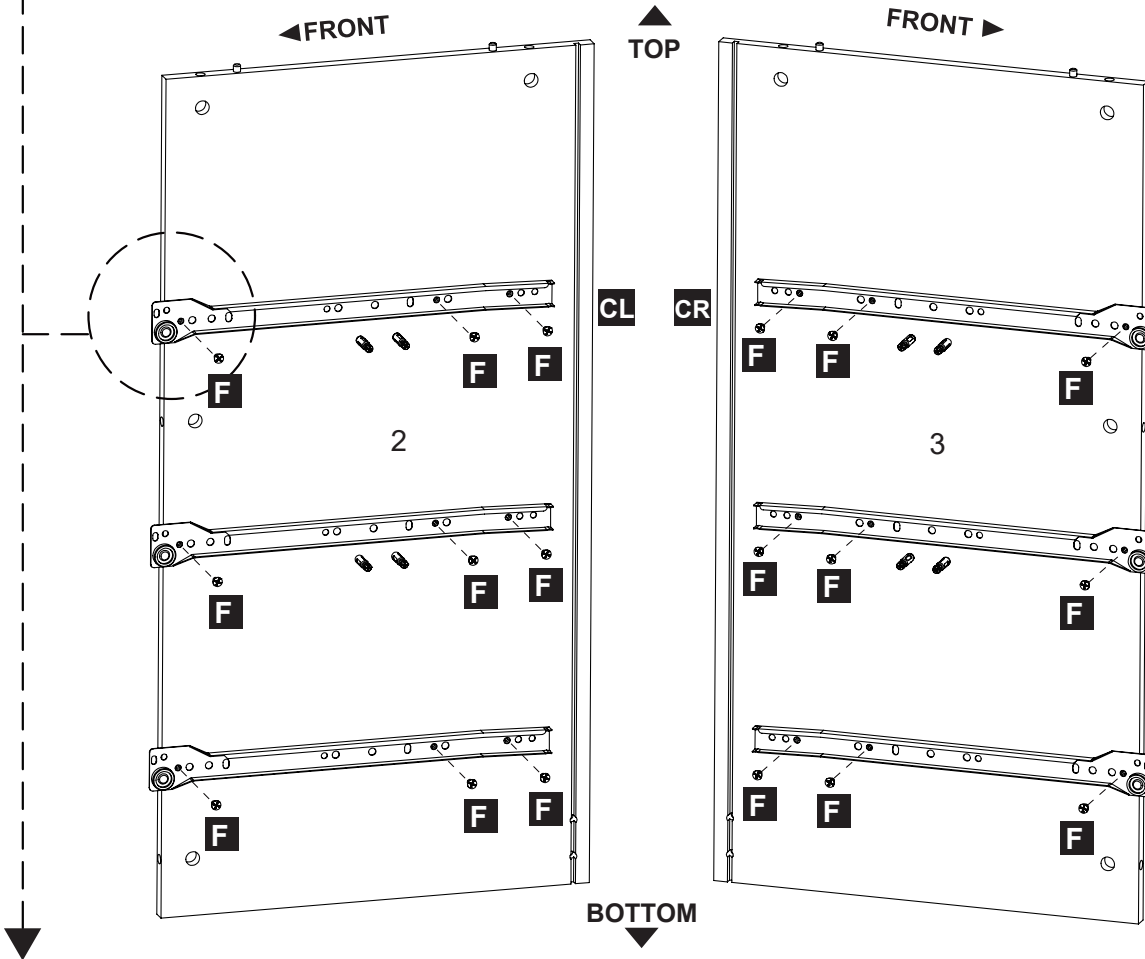
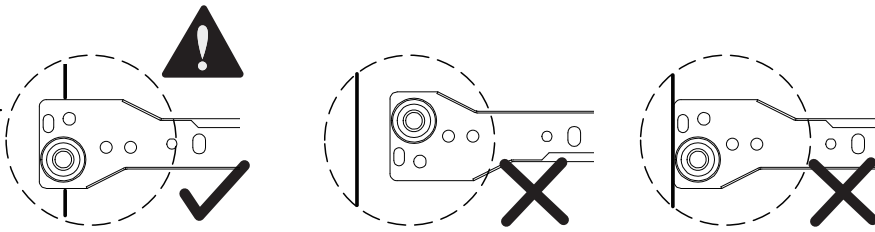
REMARK

When installing, please make sure the screws are flattened, not crooked; Otherwise the drawers will not be installed perfectly.



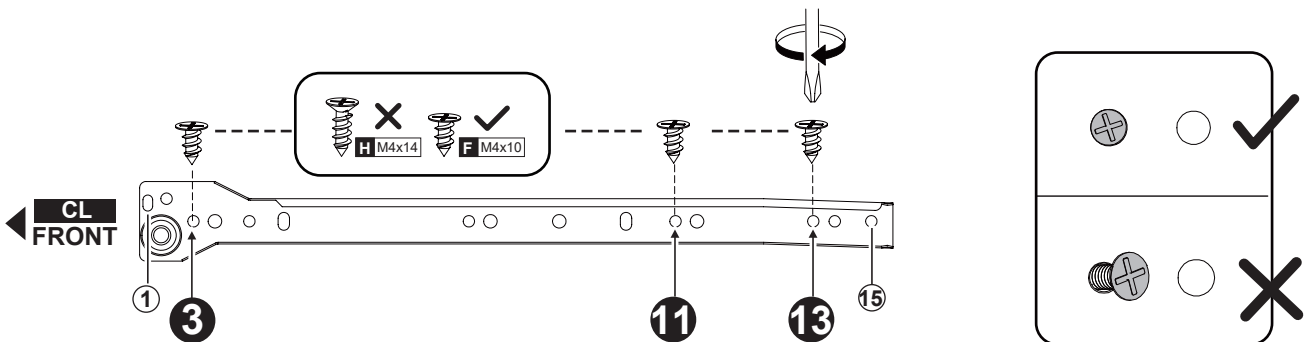
5

	F X18 M4x10	CL X3 
		CR X3 

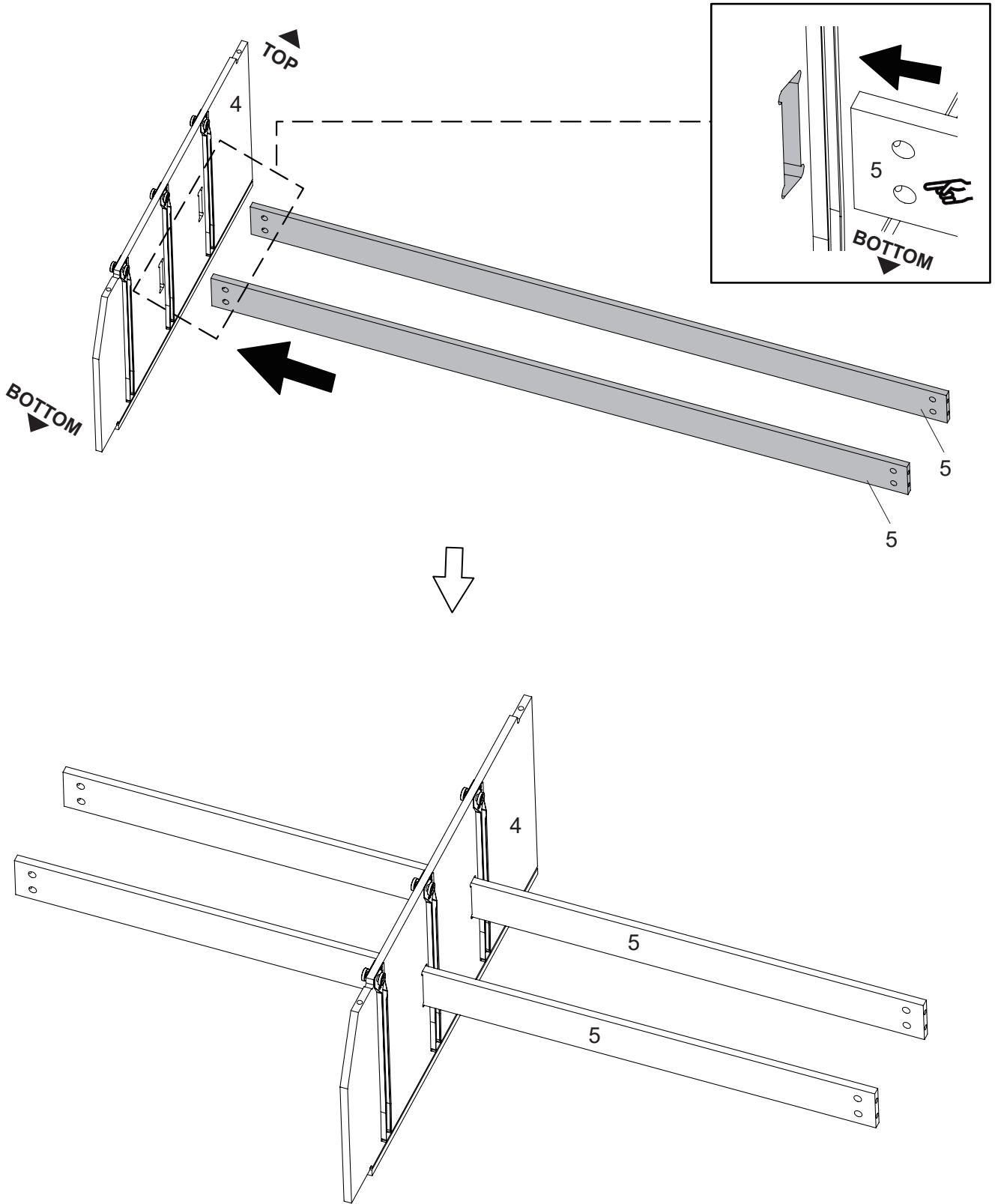


REMARK

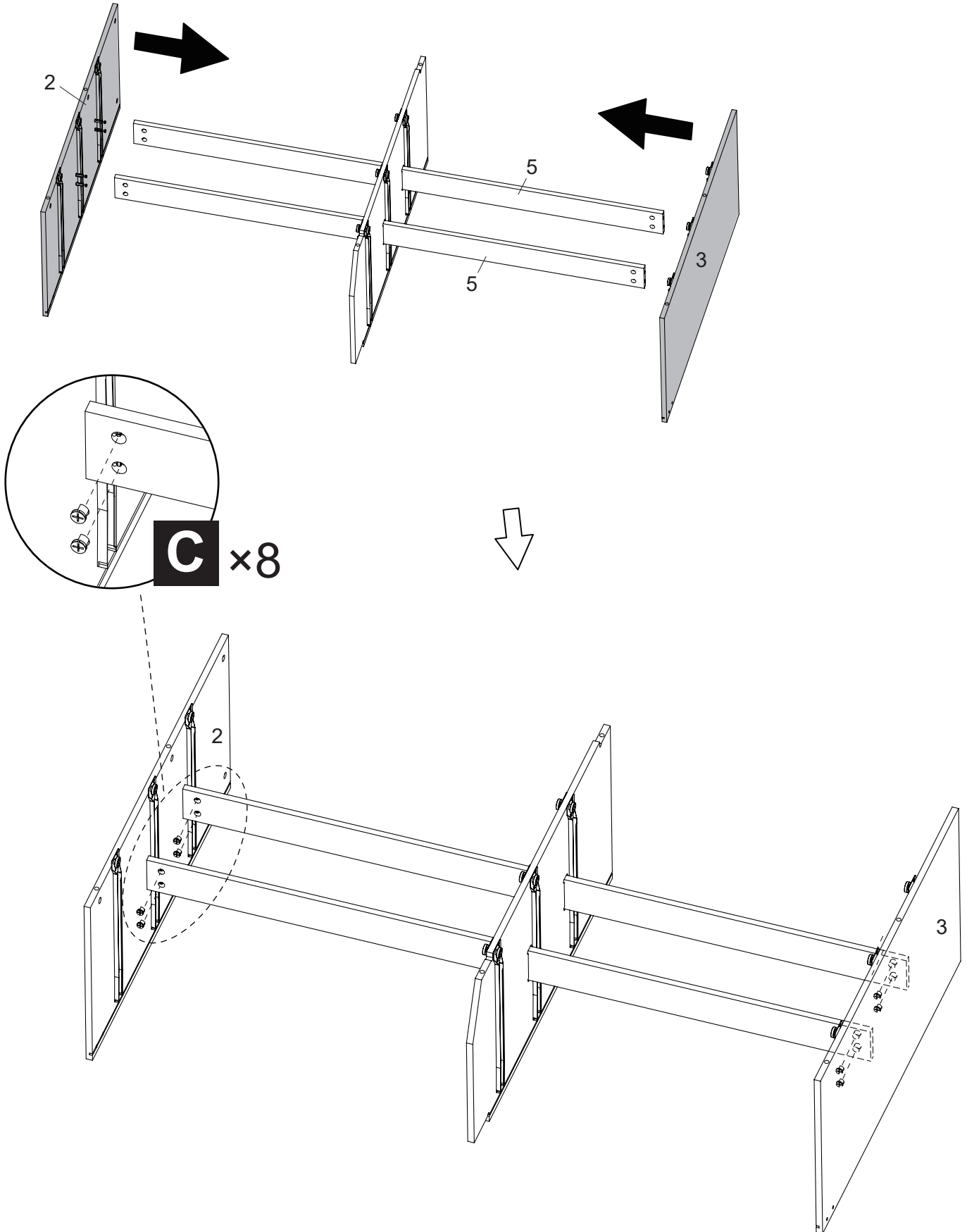
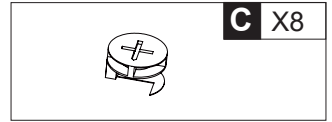
When installing, please make sure the screws are flattened, not crooked; Otherwise the drawers will not be installed perfectly.

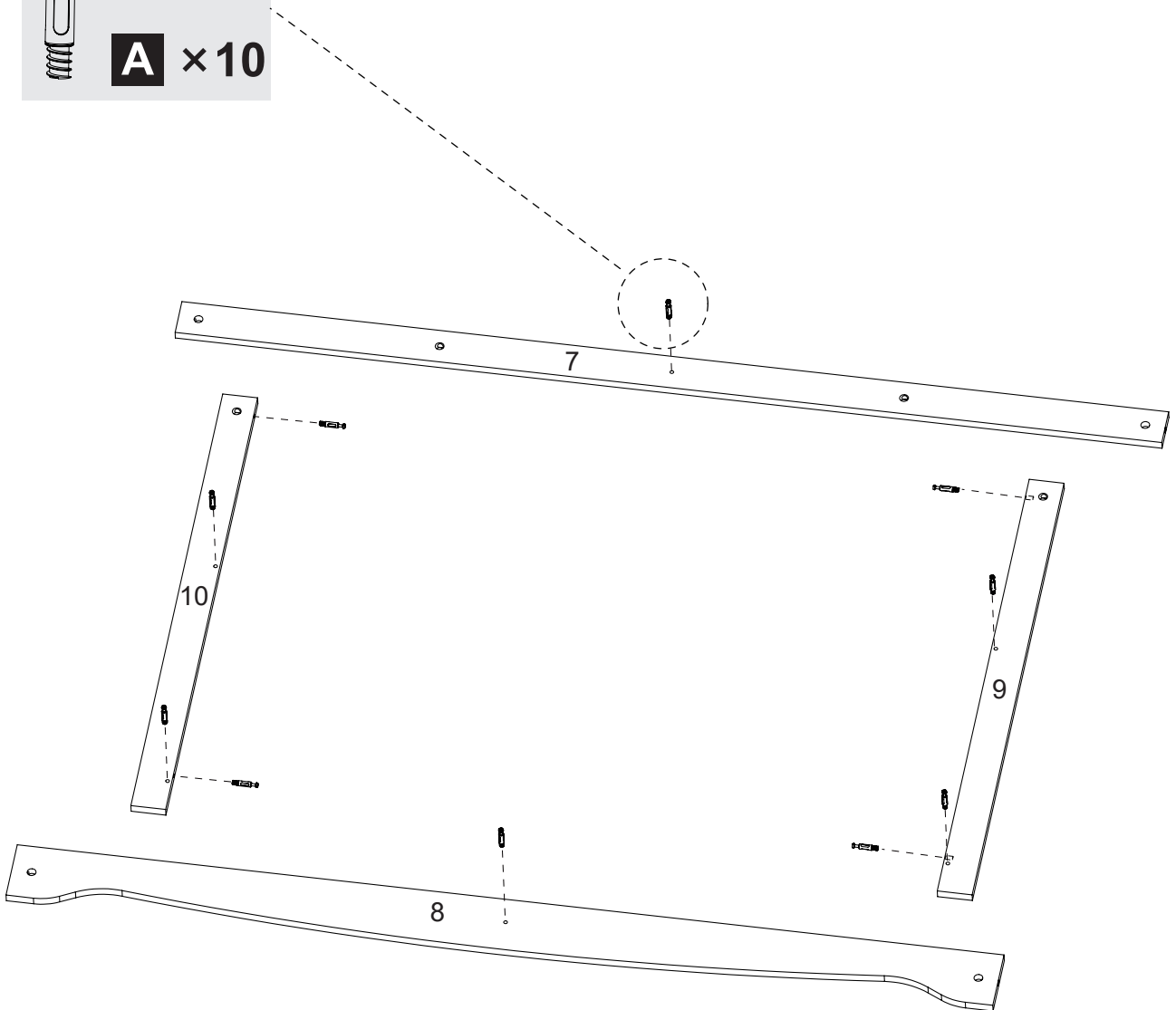
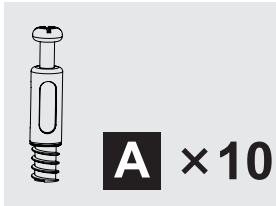
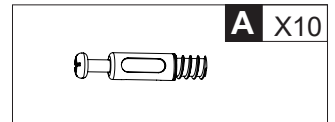


6

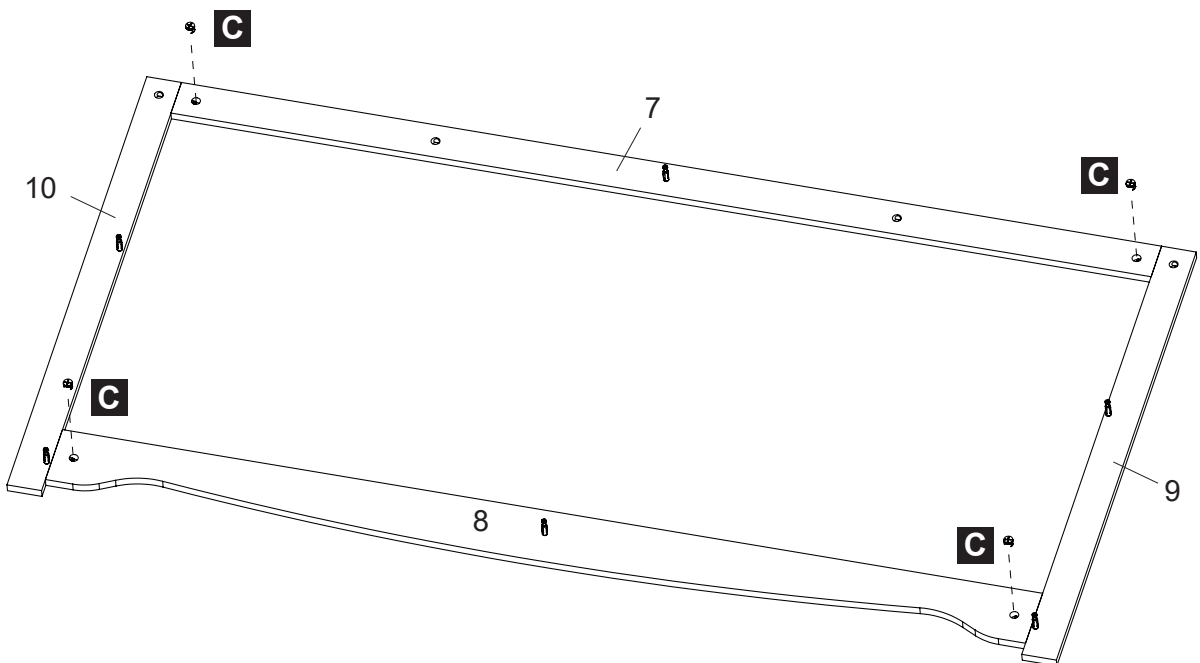
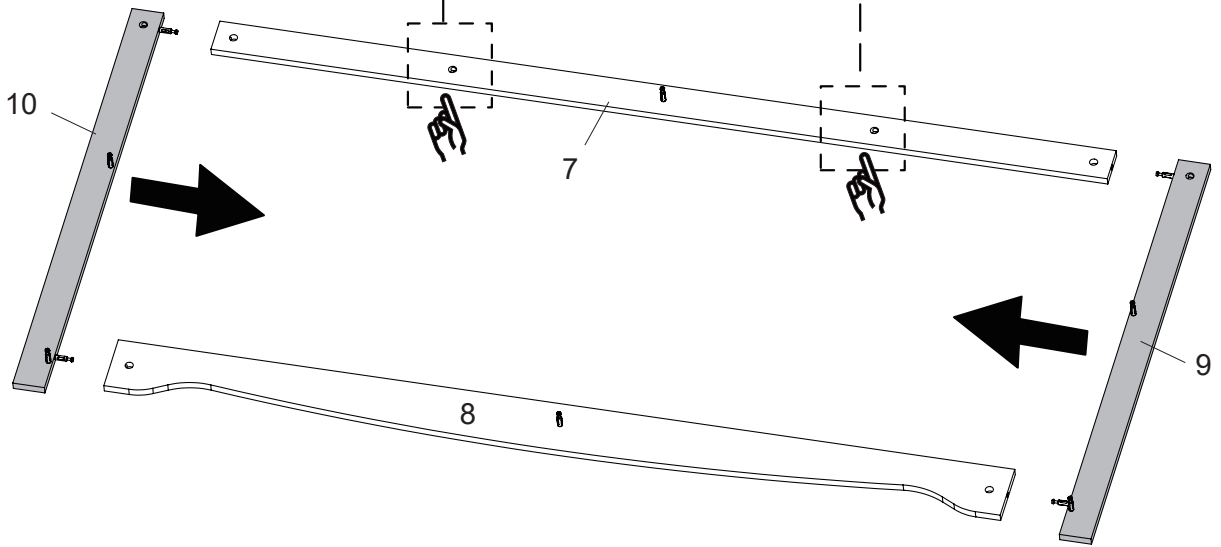
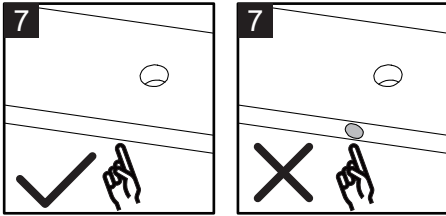
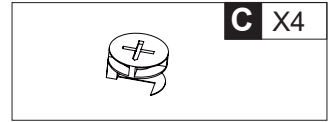


7

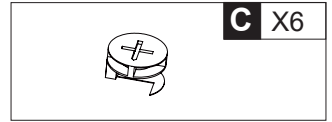




9

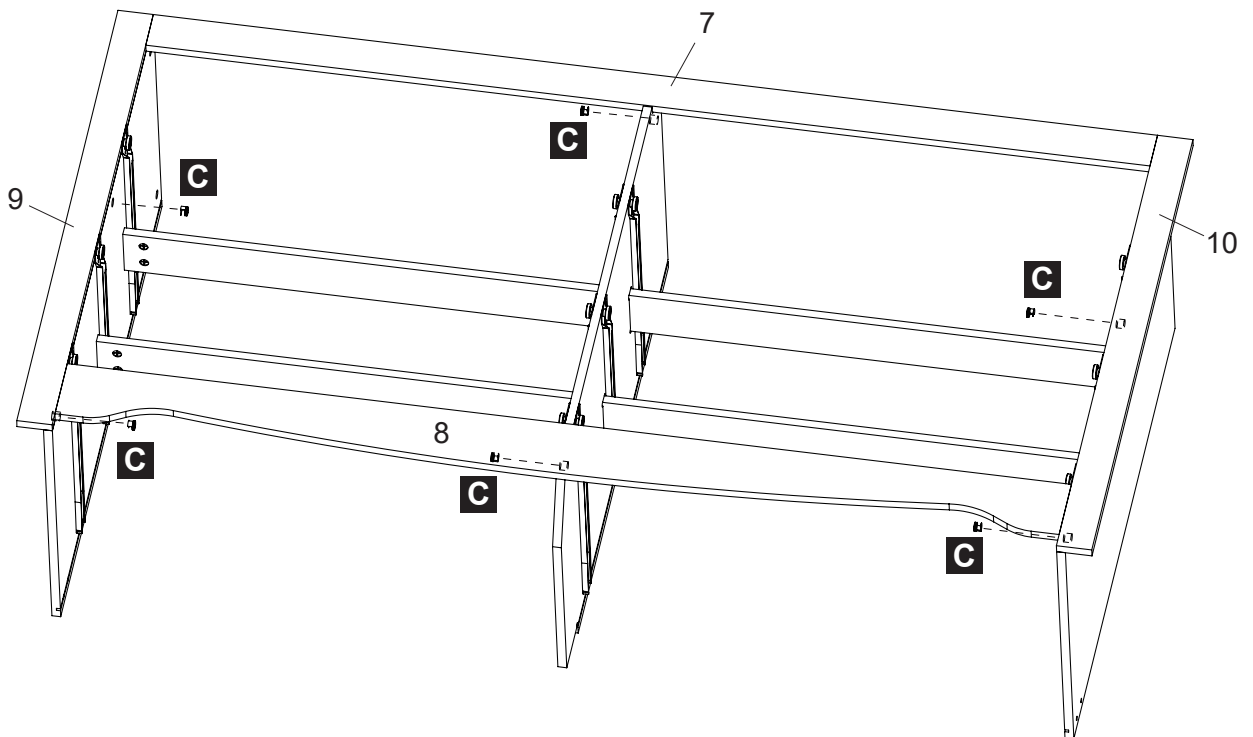
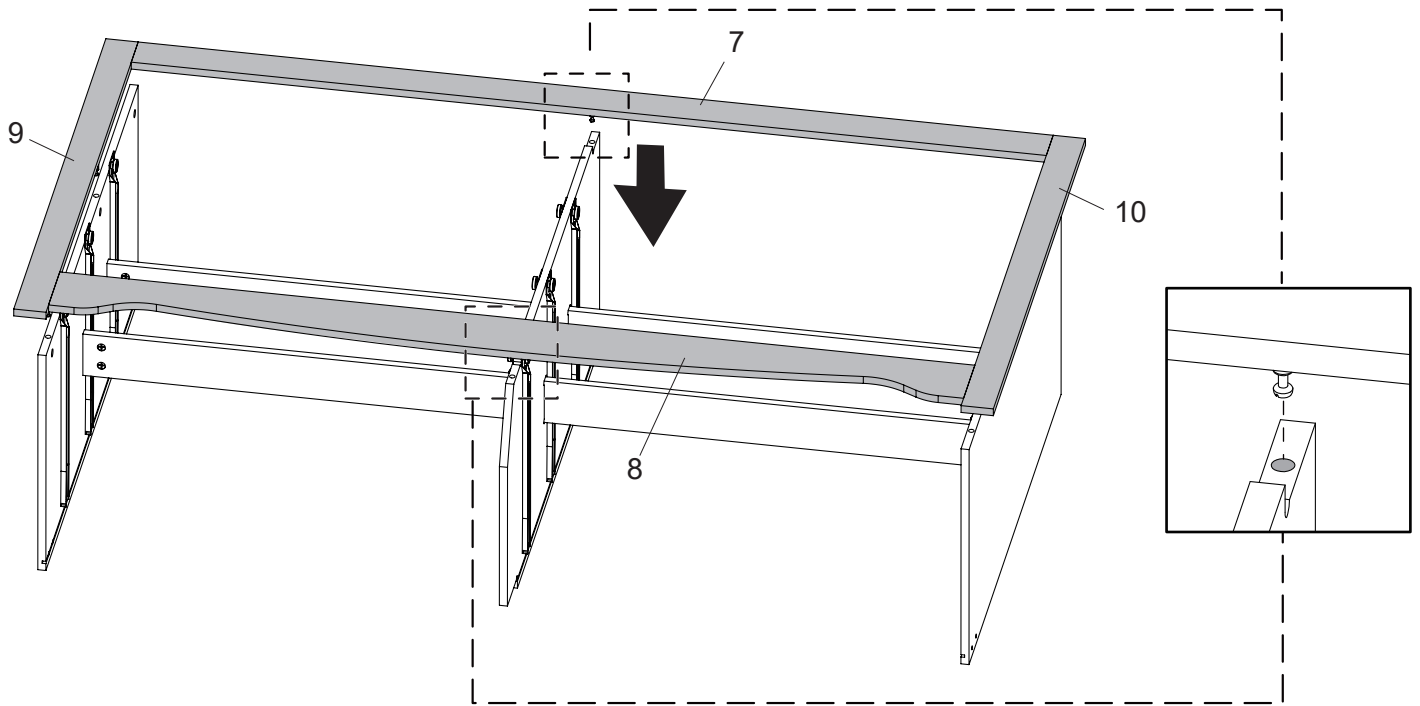


10

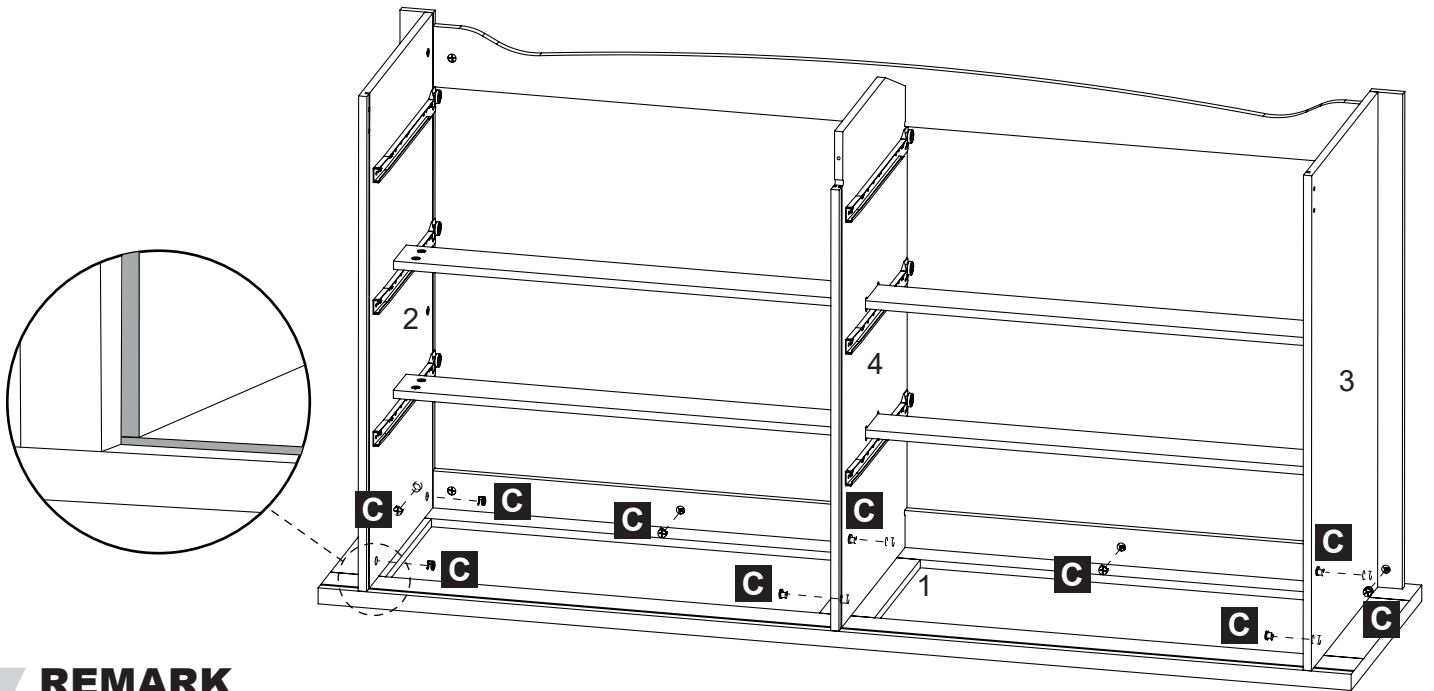
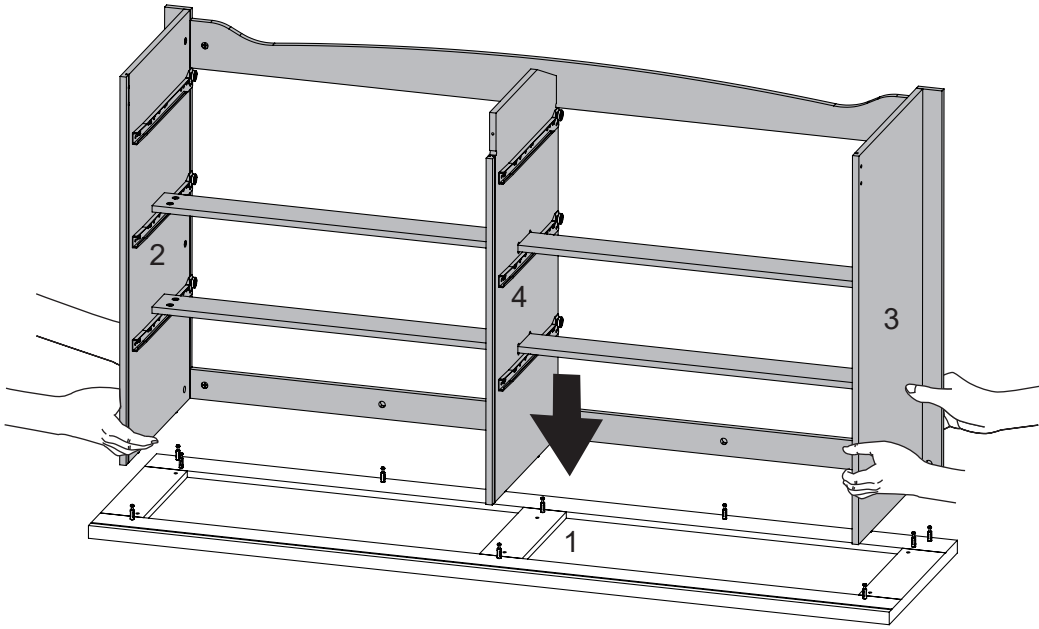
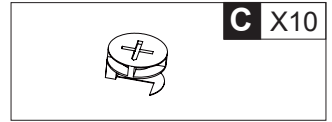


REMARK

Please move the neutral wooden board left or right to align its holes with the holes on the frame, then tighten the screws.



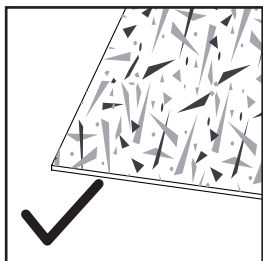
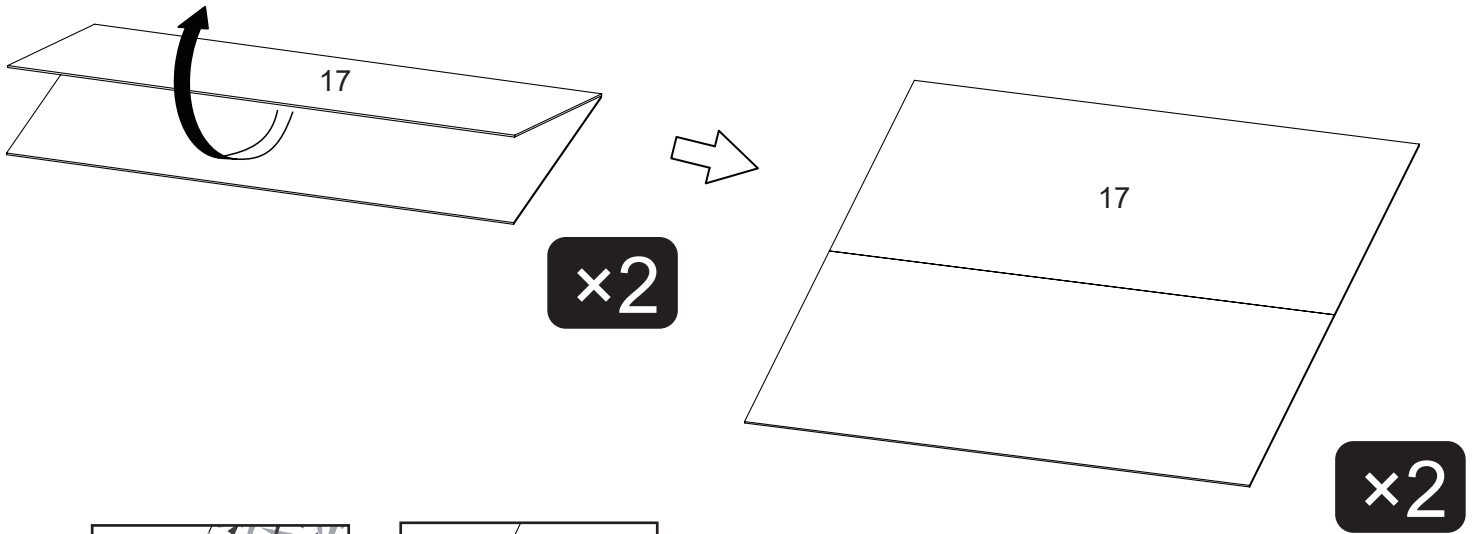
11



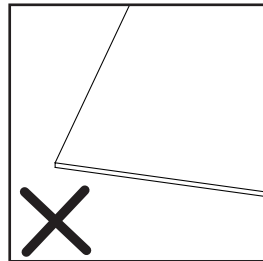
REMARK

Let the grooves on part 2、3、4 be connected to the groove on part 1 .

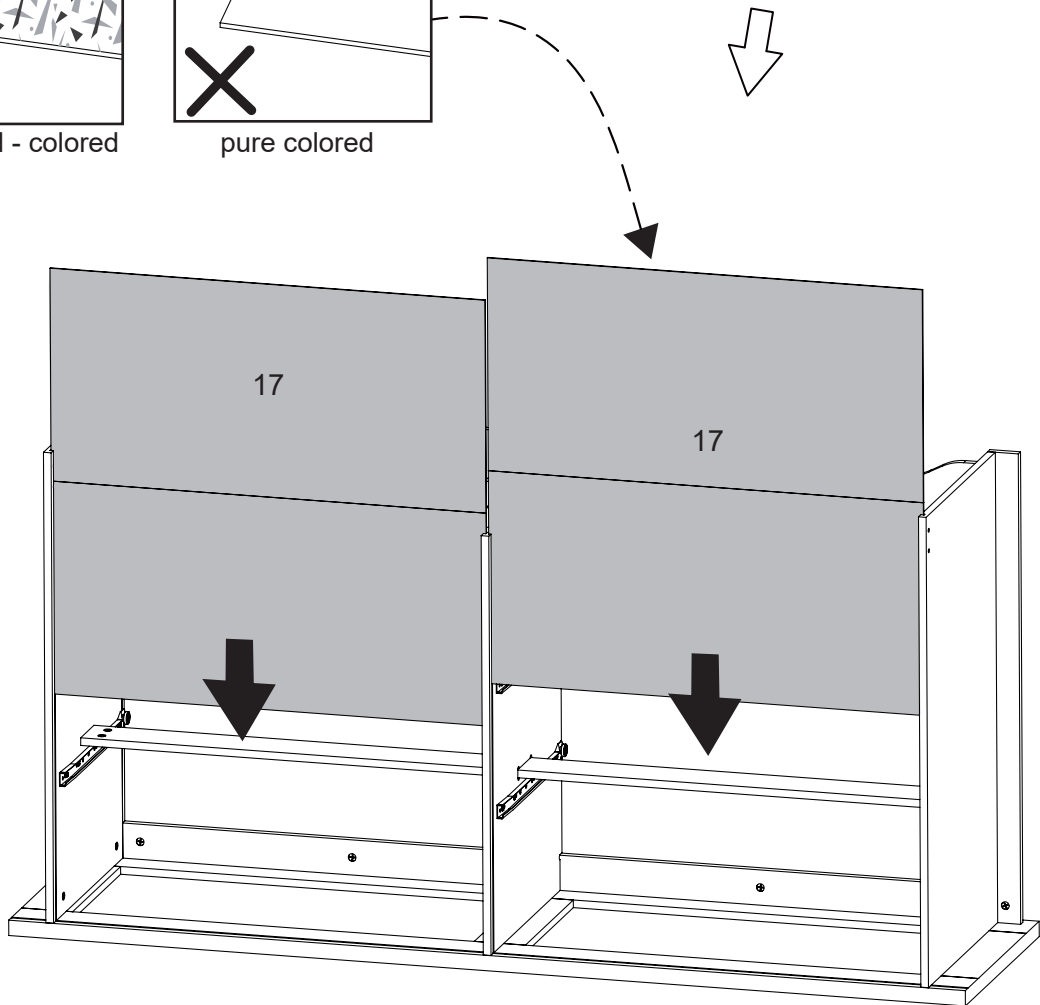
12



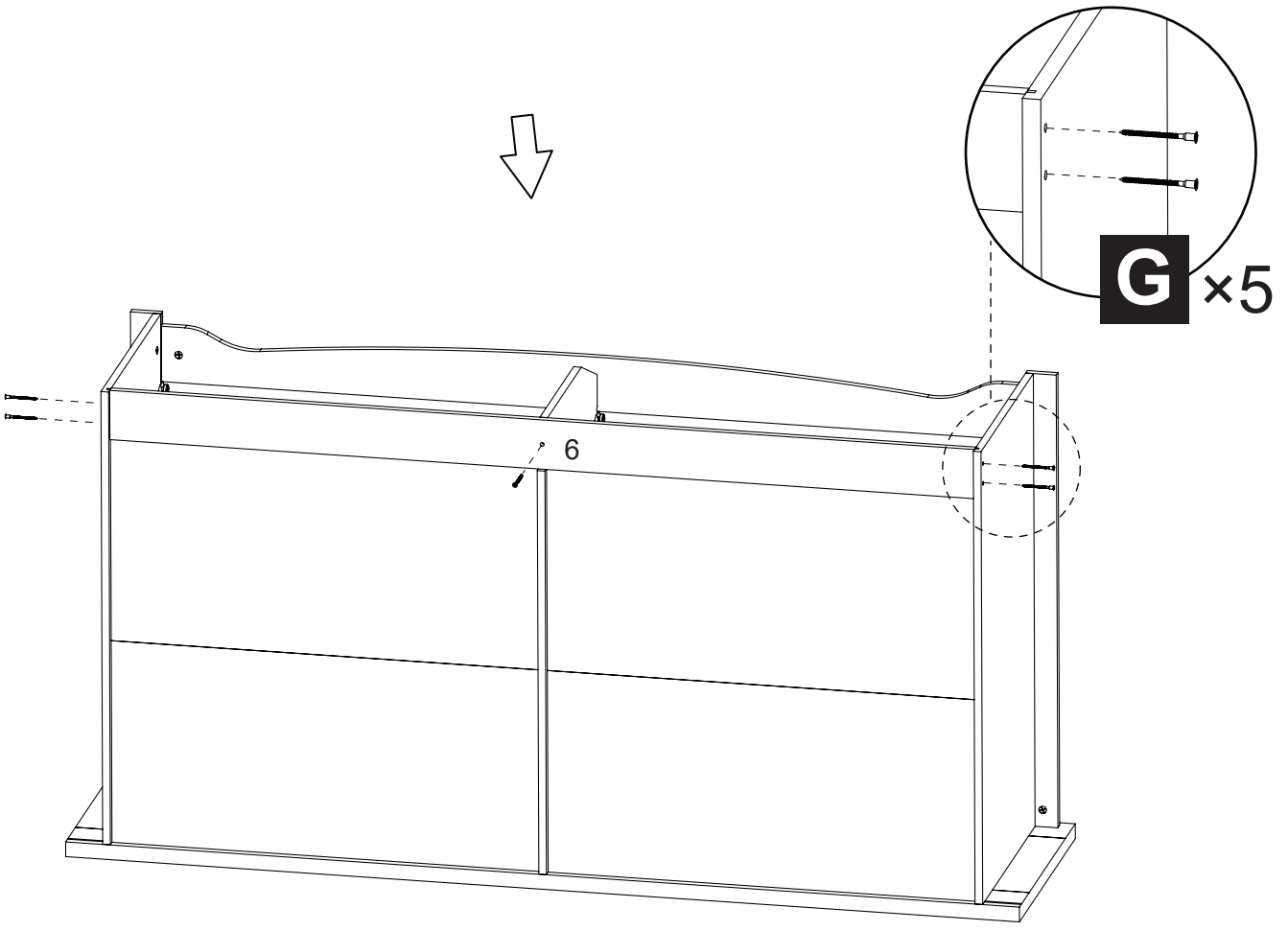
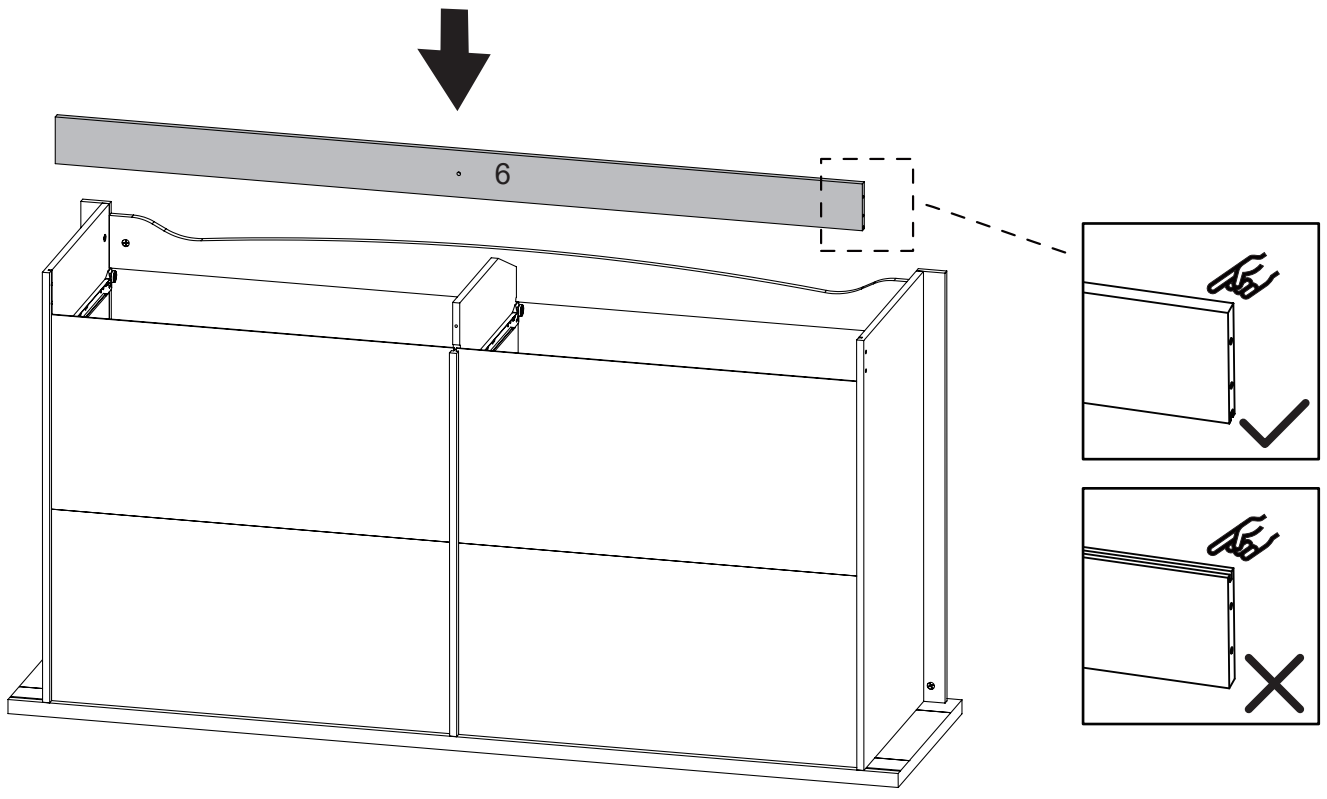
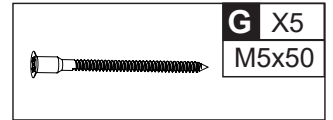
origin wood - colored





pure colored

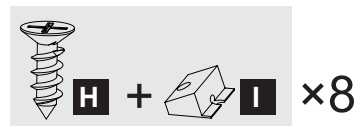
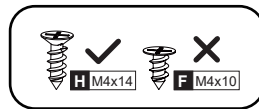
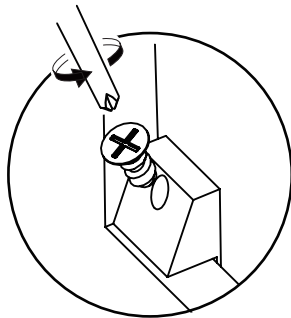
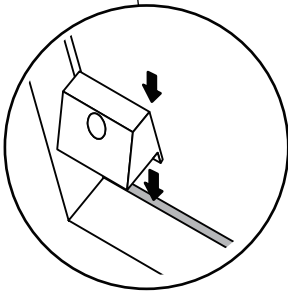
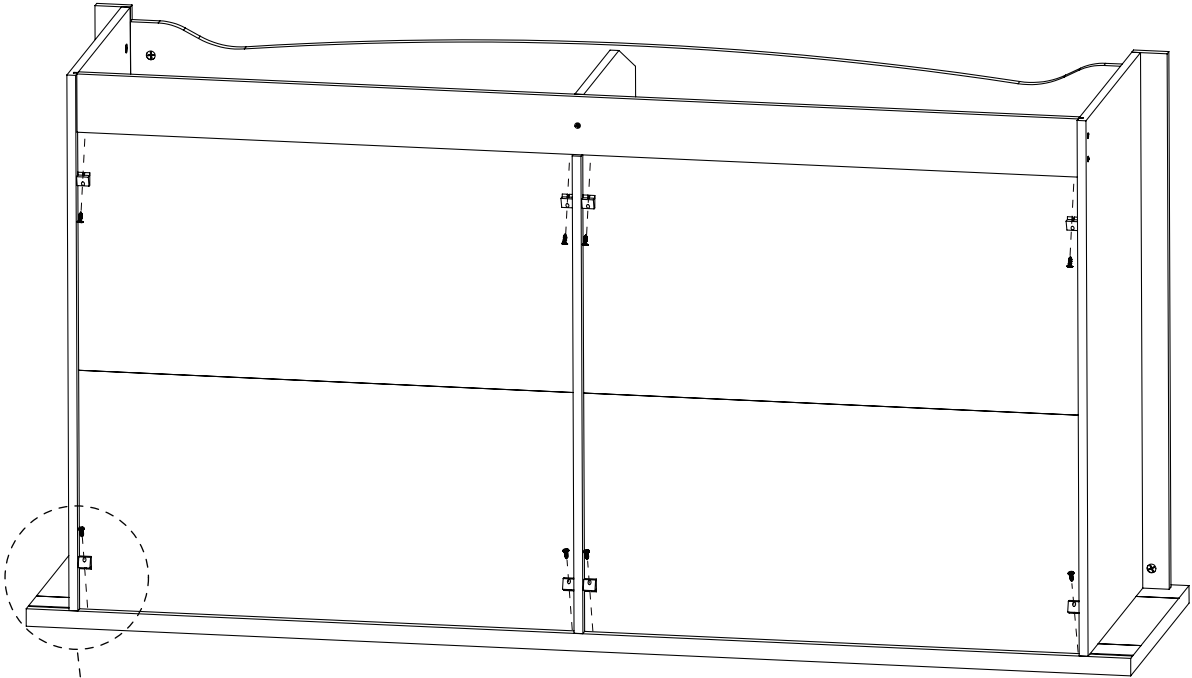


13



14

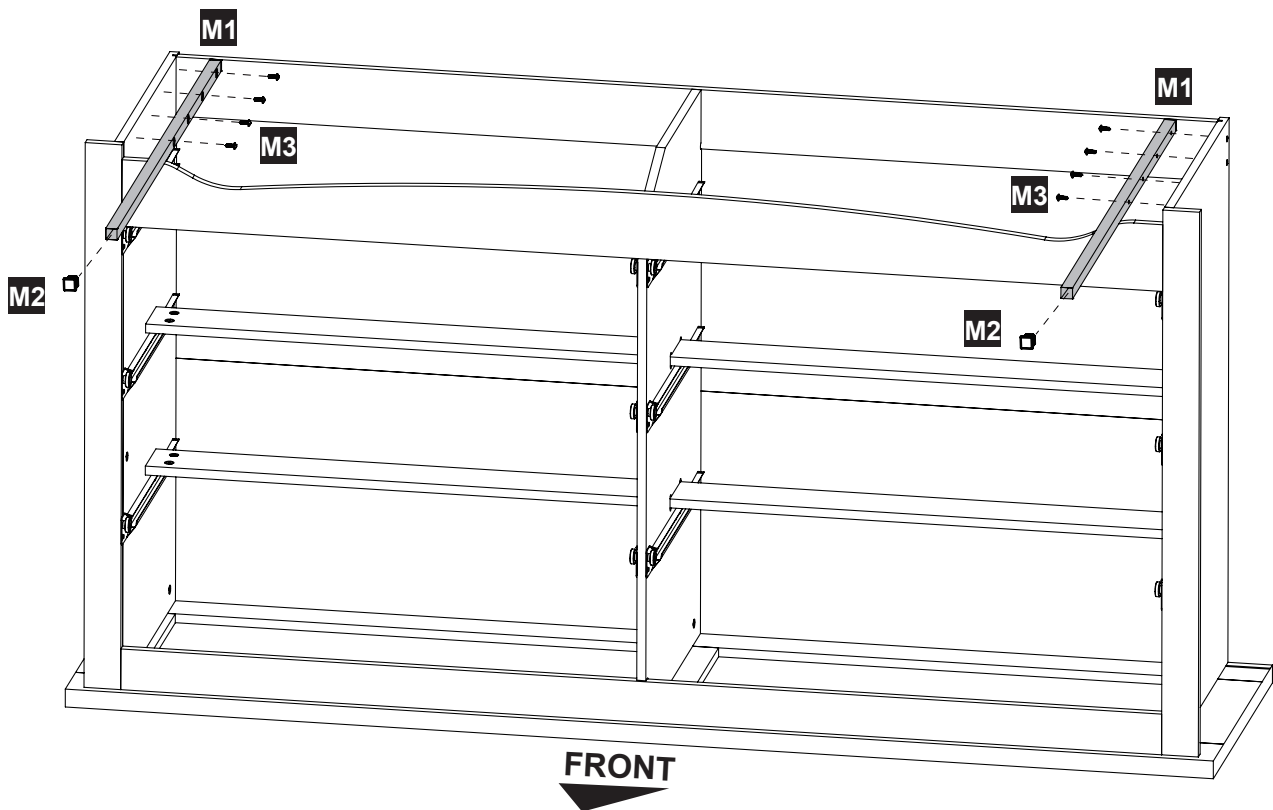
	I X8
	H X8 M4x14



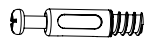

15

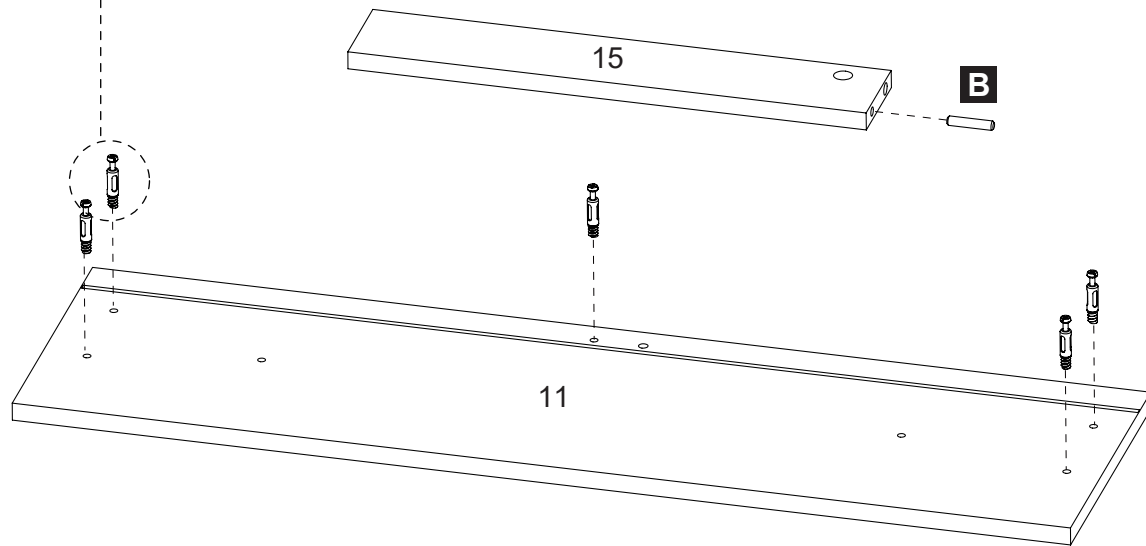
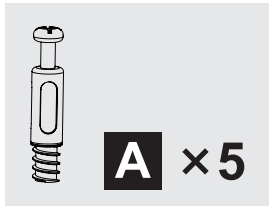
**REMARK**

The product is already equipped with anti-tip pipes, further reducing the risk of tipping. You can optionally install them **according to your needs**.



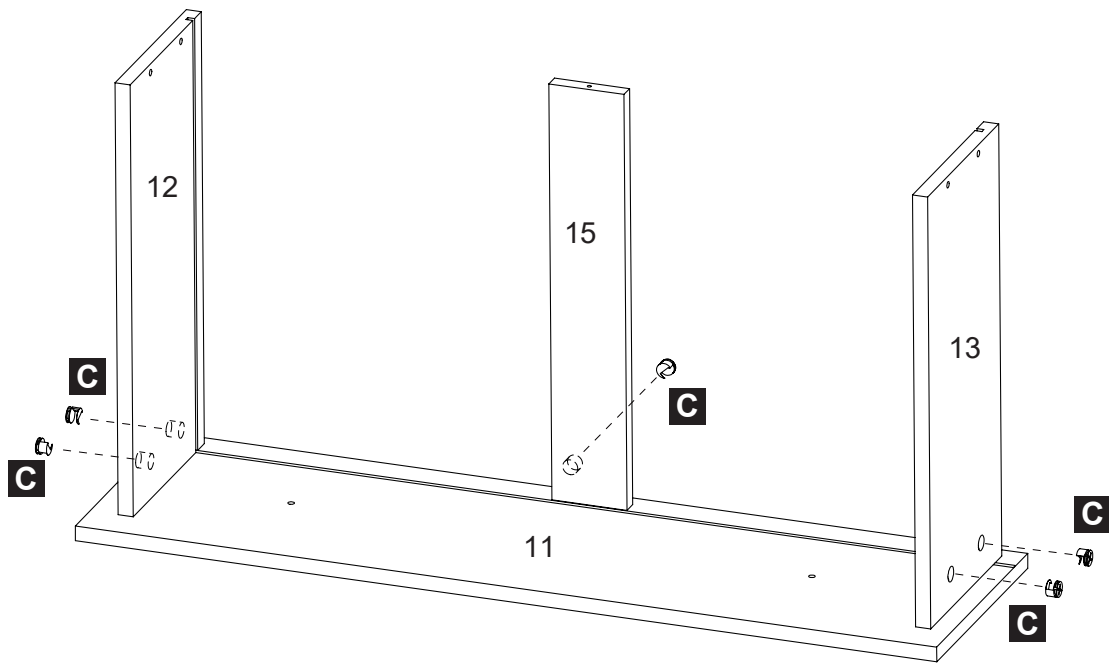
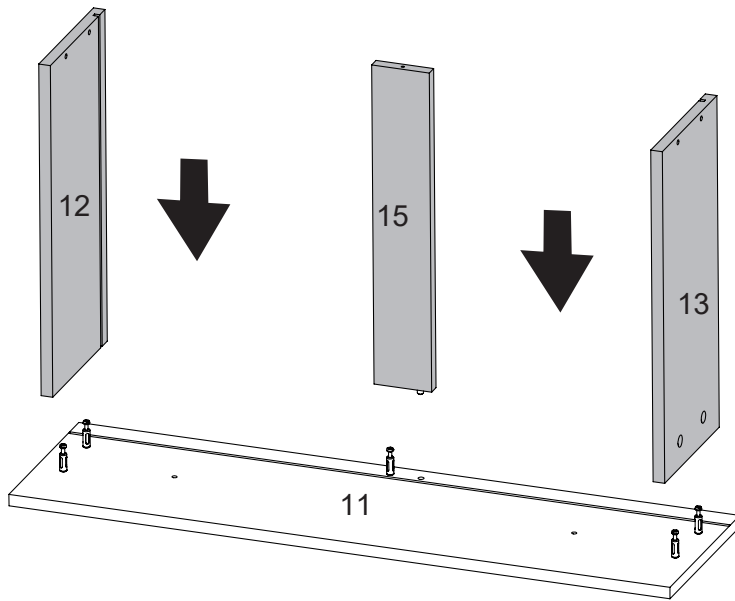
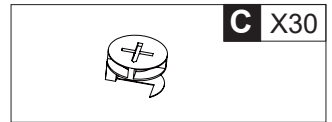
16

	A X30
	B X6

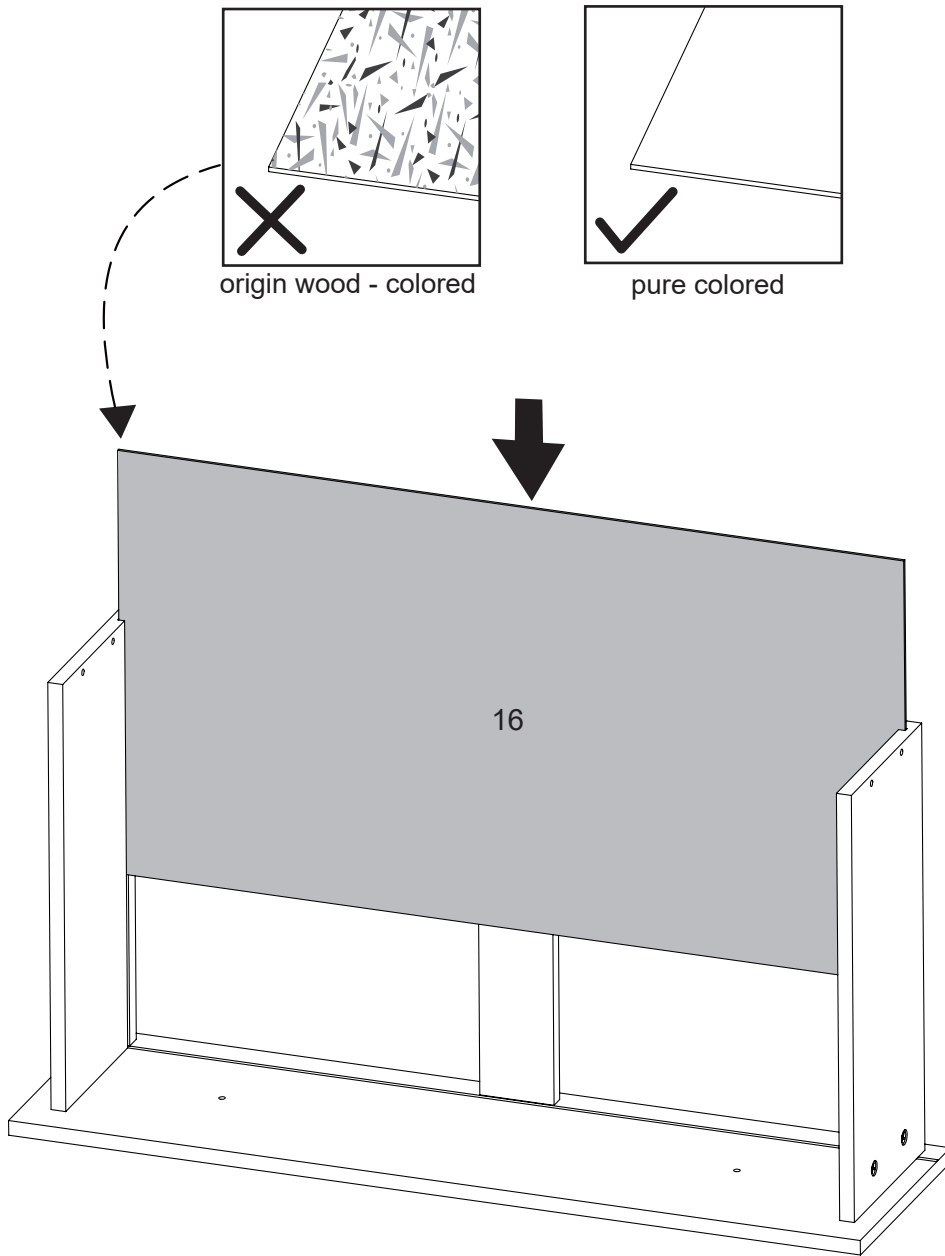


×6

17



×6

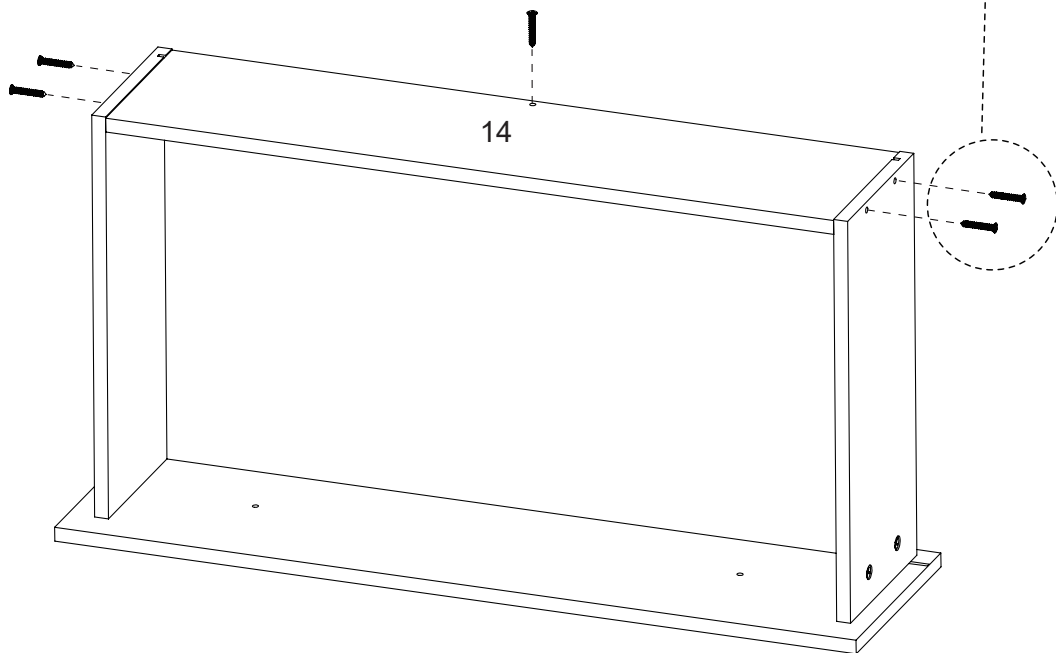
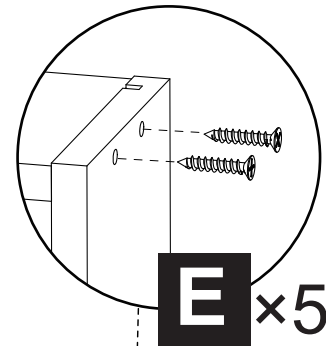
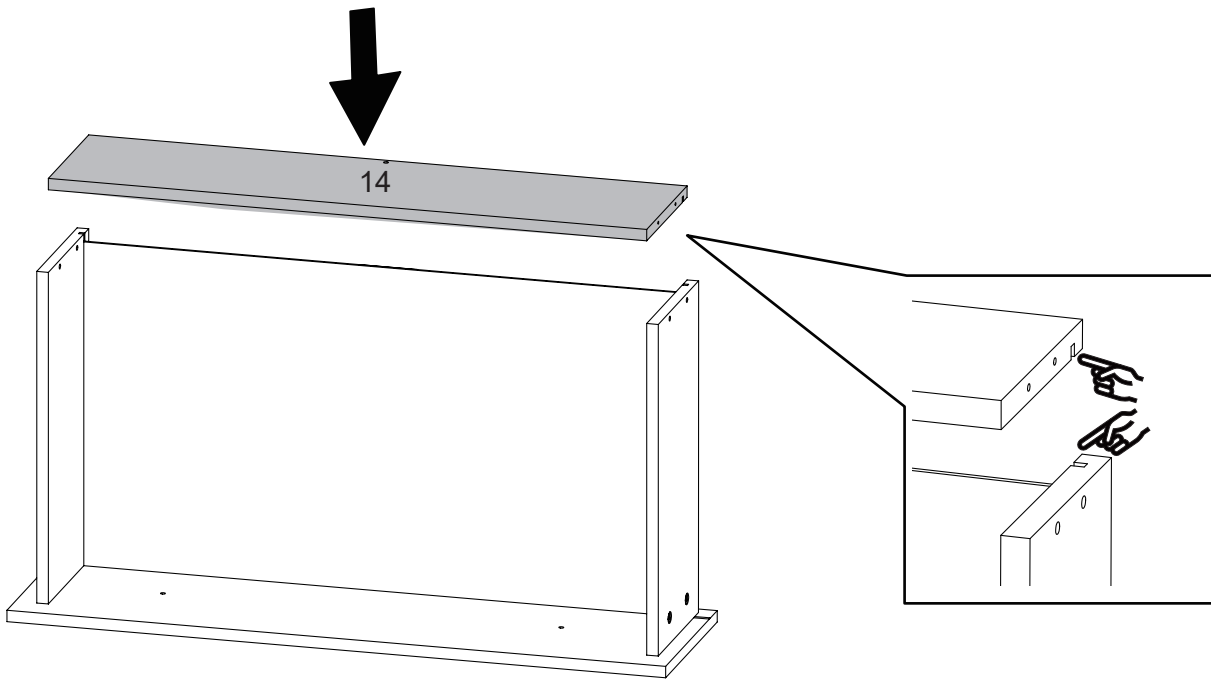


×6

19

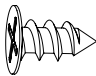
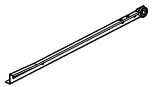



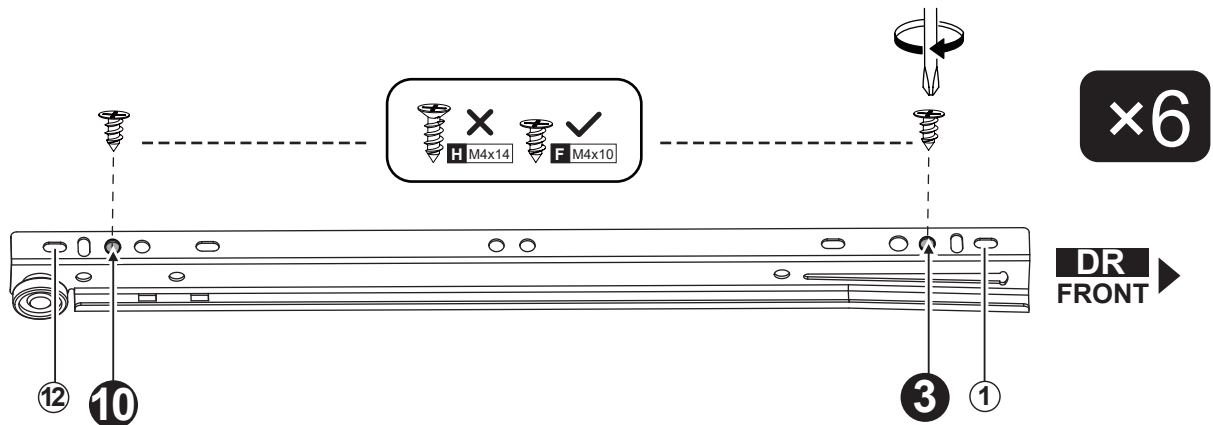
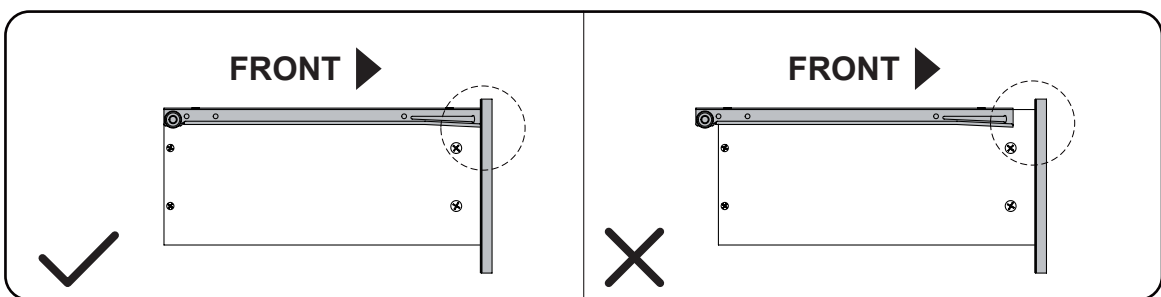
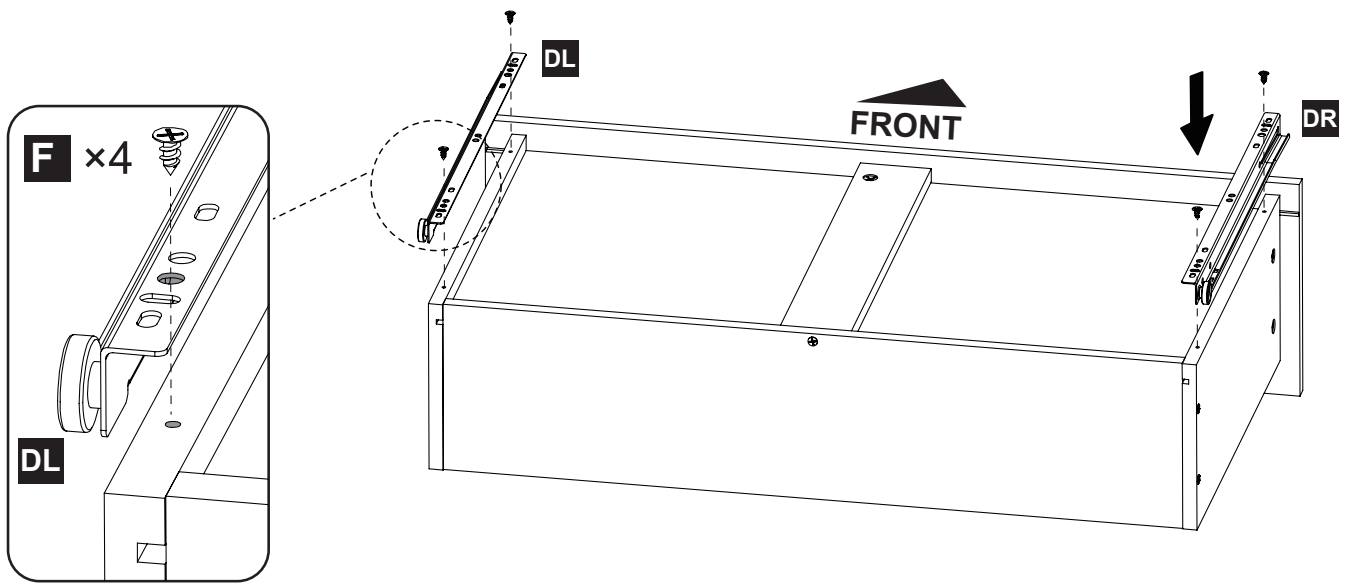
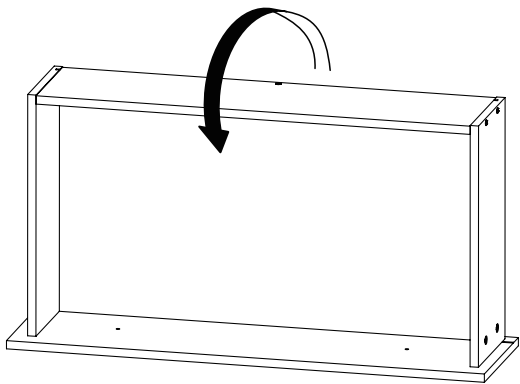
E X30
M4x30

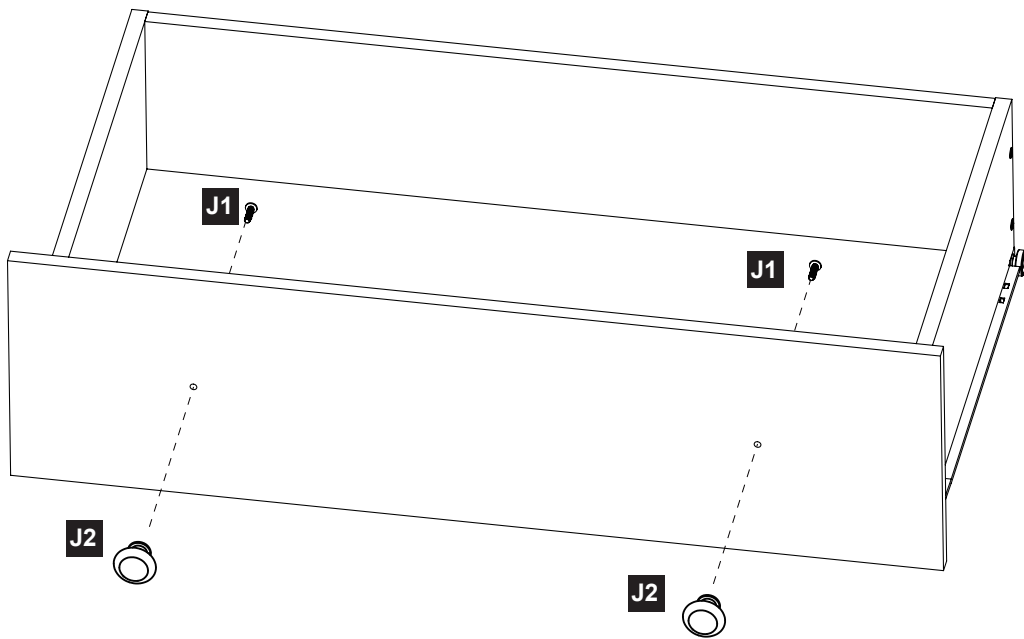
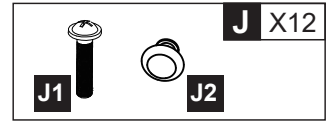


x6

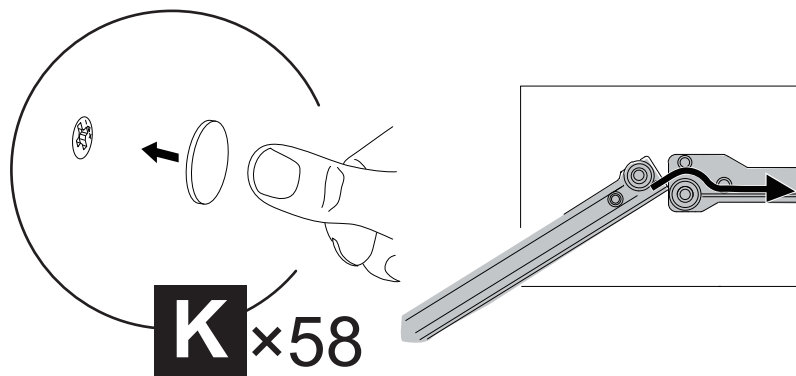
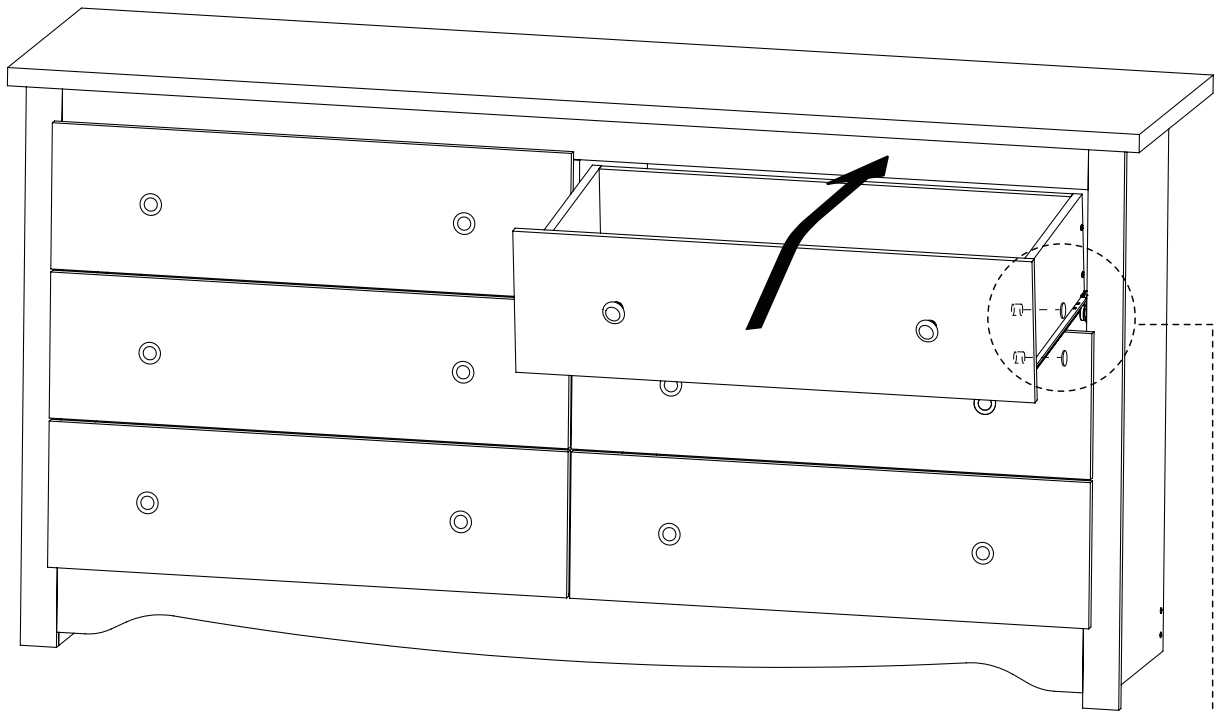
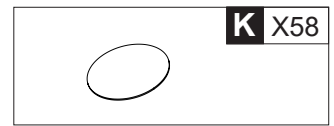
20

	F X24 M4x10		DR X6
			DL X6





×6





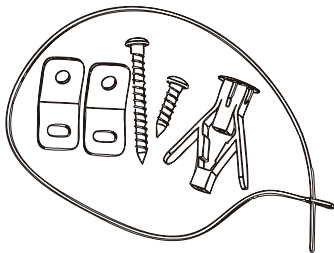
WARNING

ANTI-TIPPING DEVICE

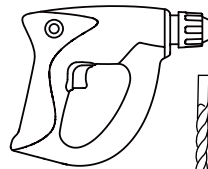
WALL ANCHORING GUIDE

The hardware you should use to secure your furniture to the wall depends on both the type of furniture you have and your wall material.

Attaching your furniture to cavity wall with anti-tipping device



Anti-tipping device bag



Electric drill (not provided)
5/16" (8mm) 1/8" (3mm)

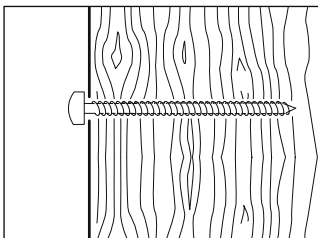


Fixing hole (round)
Threading hole (oval)

Type of Wall Material

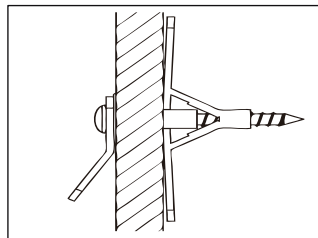
Using the guide below, identify your wall material and choose the corresponding steps.

Mark the attachment point(s) with a pencil at the appropriate height.



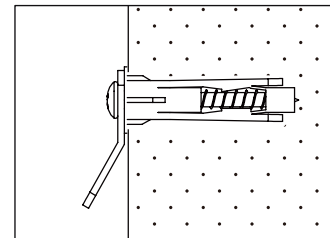
Drywall or plaster with available wood stud

- Drill 1/8-inch (3mm) diameter pilot hole(s) into the wood stud(s), at the height you marked with pencil.



Drywall without available wood stud

- Drill 5/16-inch (8mm) diameter hole(s) through the wall at the height you marked with pencil.
- Drive the plastic plug(s) into the hole(s), using a hammer if needed.



Masonry

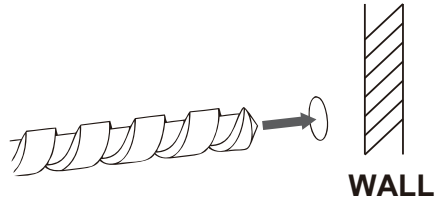
- Drill 5/16-inch (8mm) diameter hole(s) 2-inches (50mm) deep into the wall at the height you marked with pencil.
- Drive the plastic plug(s) into the hole(s), using a hammer if needed.

Follow the appropriate pictogram instructions on the following pages, drive the screw(s) with washer(s) through the brackets and tighten screw(s) firmly into the plastic plug(s) in the wall. Do not over-tighten.

If your wall material is not listed here, or if you have any questions, consult your local hardware store.

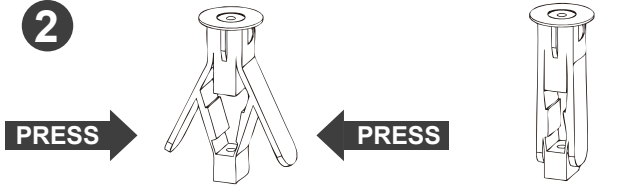
STEP

1

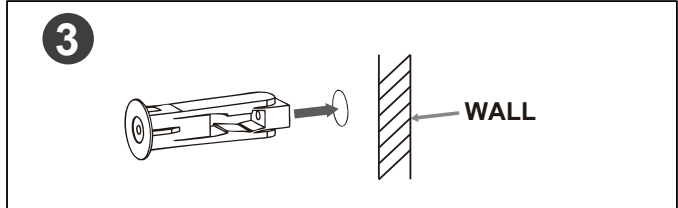


Drill a hole in the solid wall
(Wood wall or Concrete wall)

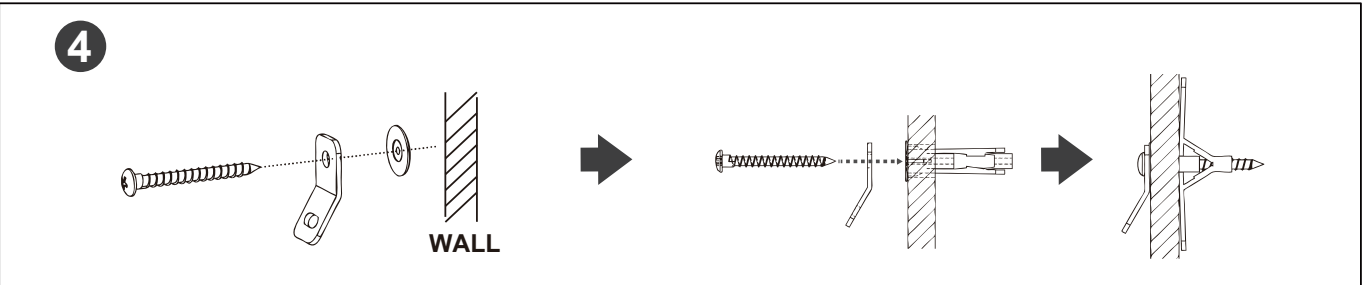
2



3



4



5

