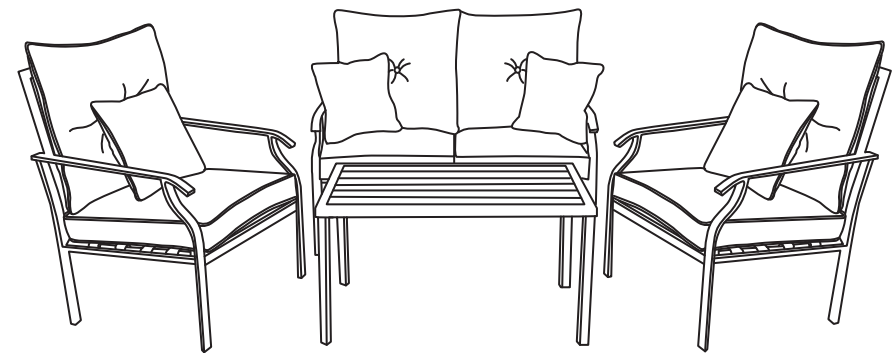


PRODUCT MANUAL

steel padded lounge set

Instruction Guide













PARTS LIST










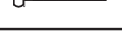



READ AND SAVE THESE INSTRUCTIONS

Please read instruction carefully and identify all the parts before assembly.

※ Caution : Small parts like bolt caps and bolts, may pose a choking hazard to young children.
Keep out of reach of small children.

Part	Picture	Description	Qty
A		Armrest	6
B		Chair Back	2
C		Chair Seat	2
D		Love Seat-Back	1
E		Love Seat-Bench	1
F		Table Top	1
G		Table Leg	4
H		Seat Cushion	4
I		Back Cushion	4
X		Scatter Cushion	4

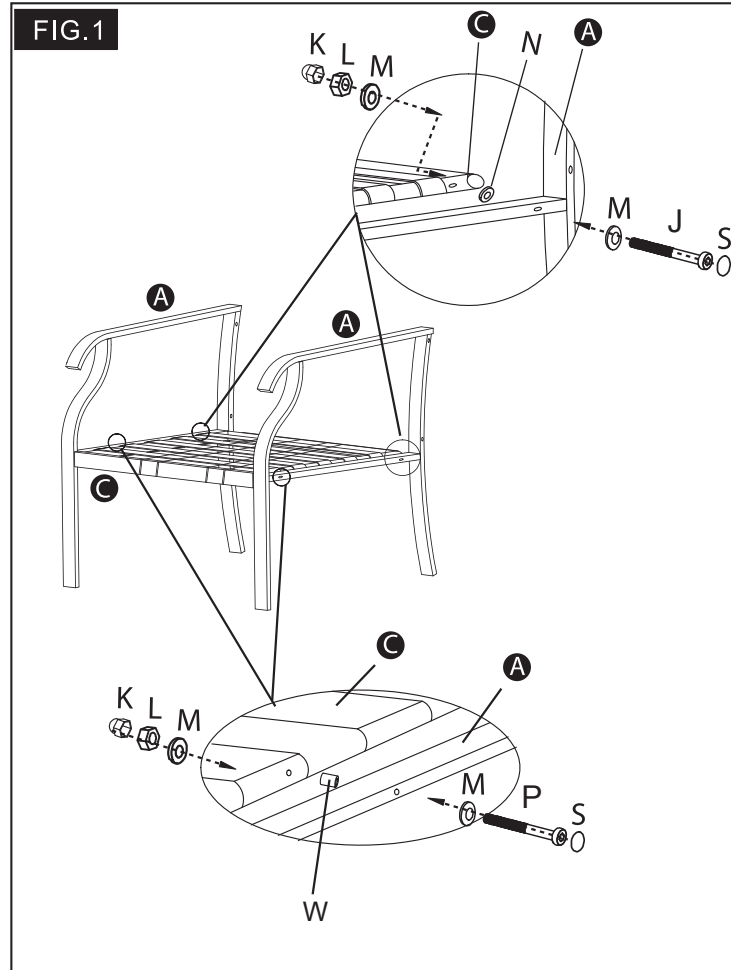
PARTS LIST

Part	Picture	Description	Qty
K		Nut Cap	24
L		Nut	24
M		Washer	64
N		5mm Plastic Washer	18
W		10mm Plastic Washer	6
O		M6x76mm Bolt	12
P		M6x70mm Bolt	6
J		M6x65 mm Bolt	6
Q		M6x35mm Bolt	4
R		M6x18mm Bolt	12
S		Bolt Cap	40
T		Hex Wrench	1
U		Driver	1

NOTE: Do not completely tighten bolts until all steps are completed.

WARNING: The Four Piece Conversation Set is not intended for standing on or leaning over the back. Parental discretion is advised with small children. Each chair supports up to 225 lbs.(102kg), love seat supports two people for a total of 450 lbs. (204kg).

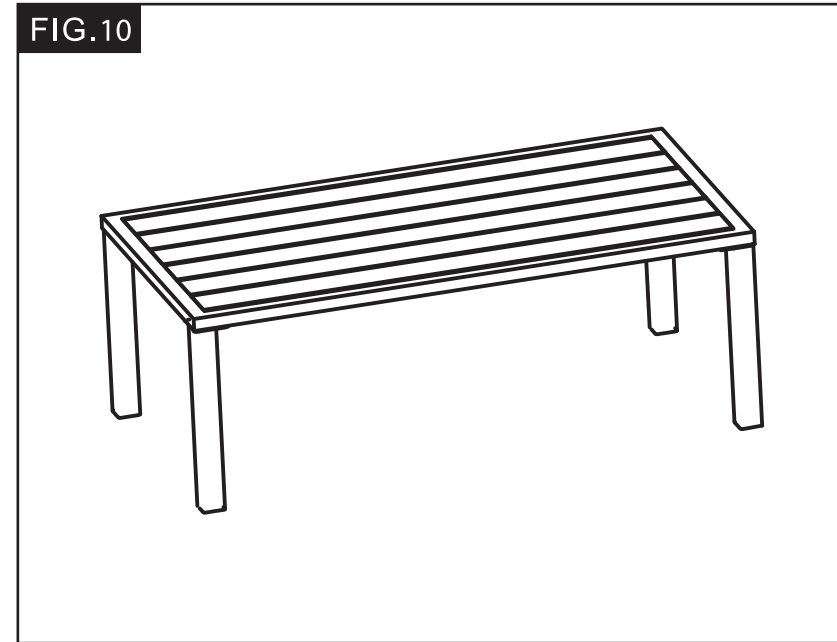
ASSEMBLY INSTRUCTIONS



STEP 1: Connect the Armrest (A) to the Seat (C) by placing the Bolt (P) through the Washer (M) and into the back hole on the Armrest (A). Push the bolt through the hole and into the corresponding hole on the Seat (C) and Plastic Washer (N), then place the Washer (M) and the Nut (L), and the Nut Cap (K) onto the bolt. Then, place the Bolt Cap (S) on the opposite end of the bolt. Repeat using same parts to attach the other 3 corners. See Fig.1.

P4

ASSEMBLY INSTRUCTIONS



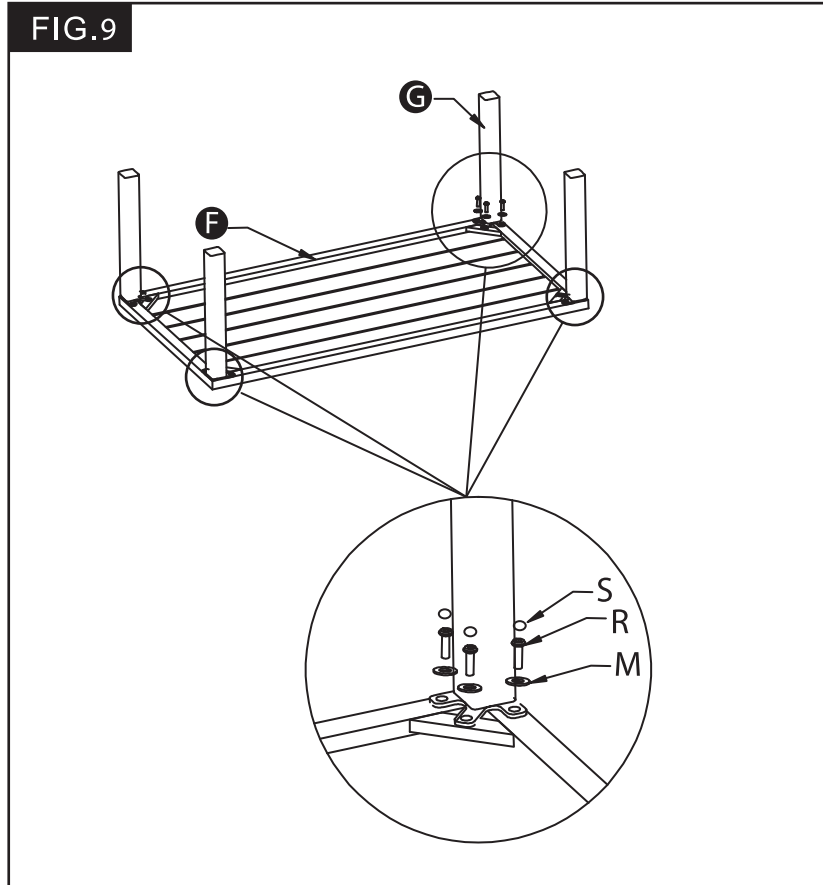
STEP 10: Turn the table upright and tighten all bolts using the Driver (U), then cover all bolts with the bolt caps.

Arrange all four items as desired to complete assembly.
Note: Ensure all furniture pieces are set on a level surface to prevent injury.

P13

ASSEMBLY INSTRUCTIONS

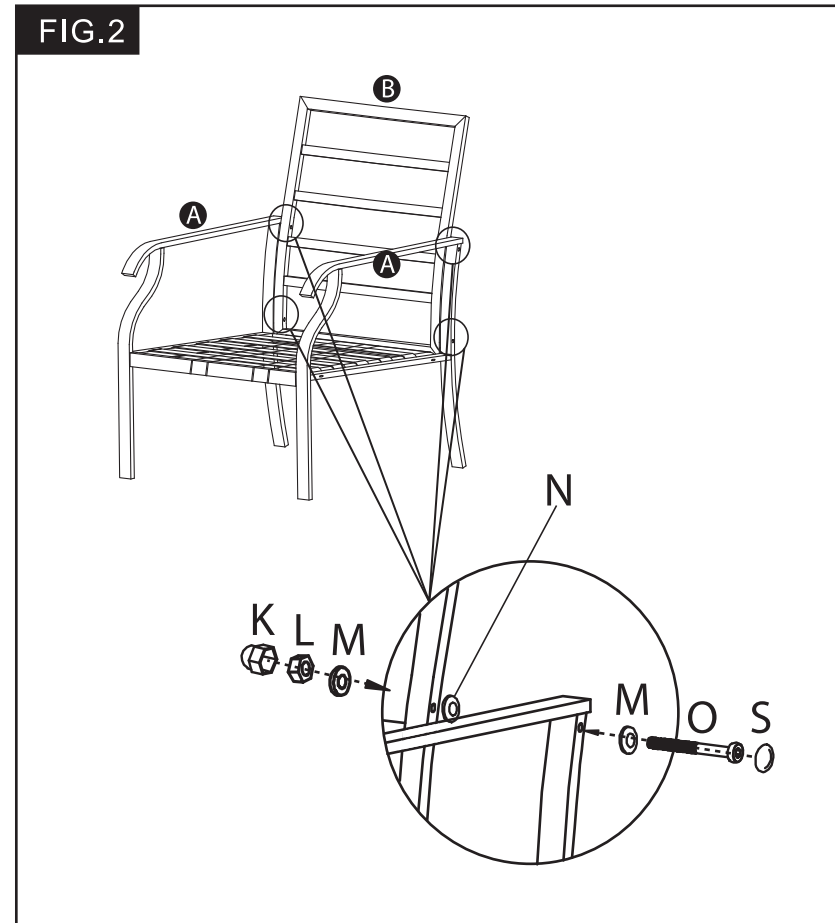
FIG.9



STEP 9: Place the Table Top (F) upside down on a flat surface. Connect four Legs (G) to the Table Top (F) by placing Bolt (R) through the Washer (M) and into the hole on the Table Top (F). Push the bolt through the hole and into the corresponding hole on the Table Top (F). Then, place the Bolt Cap (S) on the opposite end of the bolt. See Fig.9.
Caution: Do not tighten all the bolts till you finish the assembly.

ASSEMBLY INSTRUCTIONS

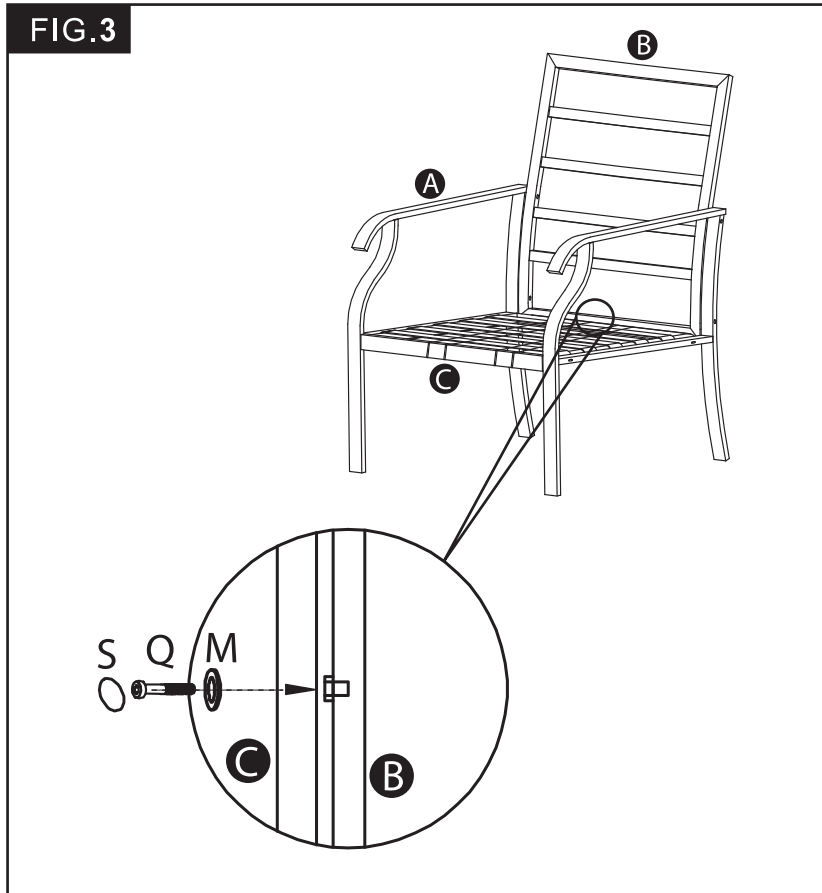
FIG.2



STEP 2: Connect the Chair Back (B) to the Armrest (A) by placing the Bolt (O) through the Washer (M) and into the hole on the Chair Back (B). Push the bolt through the hole and into the corresponding hole on Chair Back (B), then place the Washer (M), the Nut (L), and the Nut Cap (K) onto the bolt. Then, place the Bolt Cap (S) on the opposite end of the bolt. Repeat using same parts to attach the other 3 corners. See Fig.2.

ASSEMBLY INSTRUCTIONS

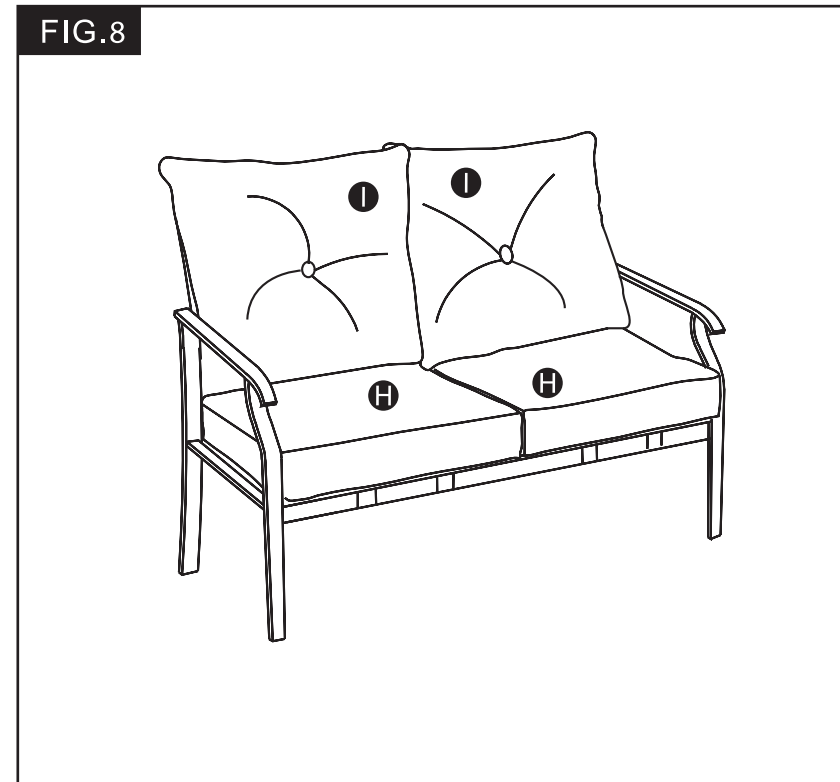
FIG.3



STEP 3: Connect the Chair Seat (C) to Chair Back (B) by placing Bolt (Q) through the Washer (M) and into the back hole on the Chair Back (B). Push the bolt through the hole and into the corresponding hole on the Chair Back (B). Then, place the Bolt Cap (S) on the opposite end of the bolt. See Fig.3.

ASSEMBLY INSTRUCTIONS

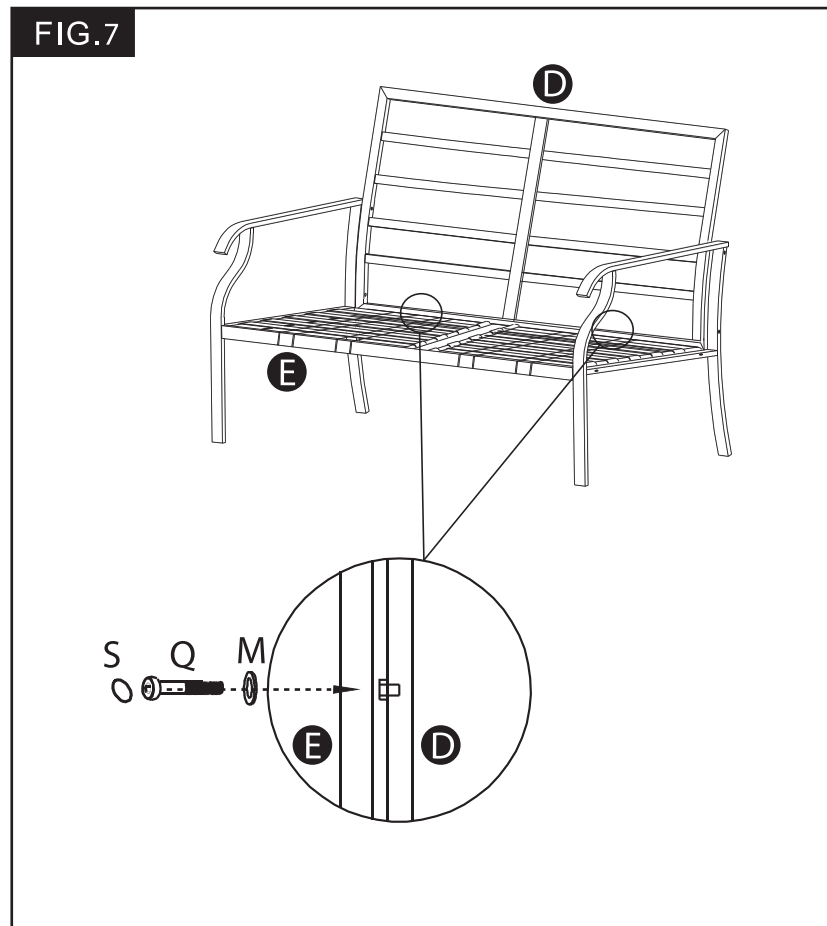
FIG.8



STEP 8: Place the Seat Cushions (H), Back Cushions (I), Scatter Cushion(X) as shown in Fig. Fasten the cushions to the chair frame by securing the velcro straps.

ASSEMBLY INSTRUCTIONS

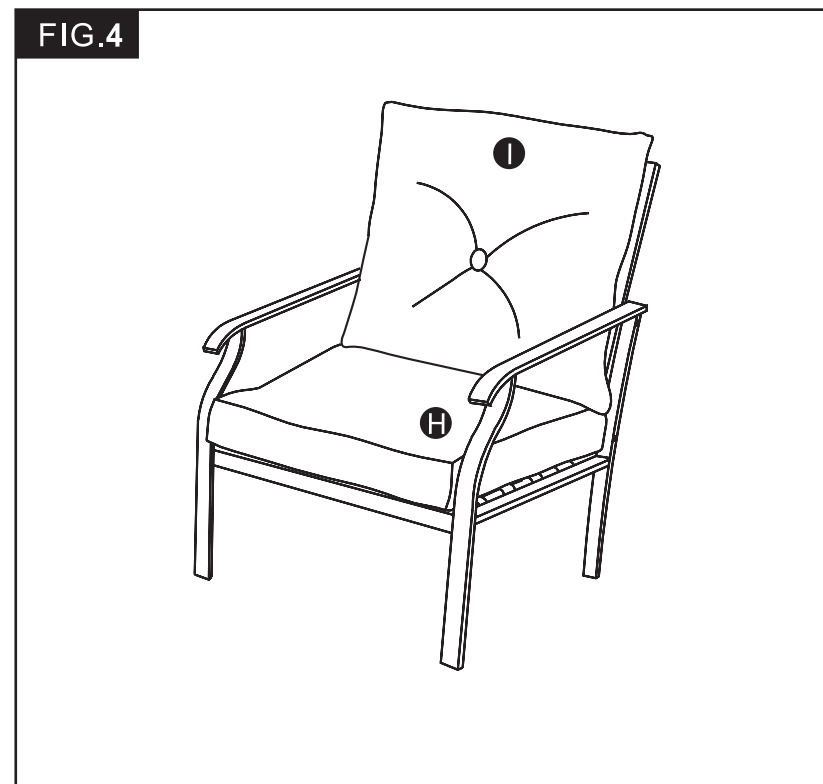
FIG.7



STEP 7: Connect the Love Seat-Bench (E) to the Love Seat-Back (D) by placing Bolt (Q) through the Washer (M) and into the back hole on the Love Seat-Back (D). Push the bolt through the hole and into the corresponding hole on the Love Seat-Back (D). Then, place the Bolt Cap (S) on the opposite end of the bolt. See Fig.7.

ASSEMBLY INSTRUCTIONS

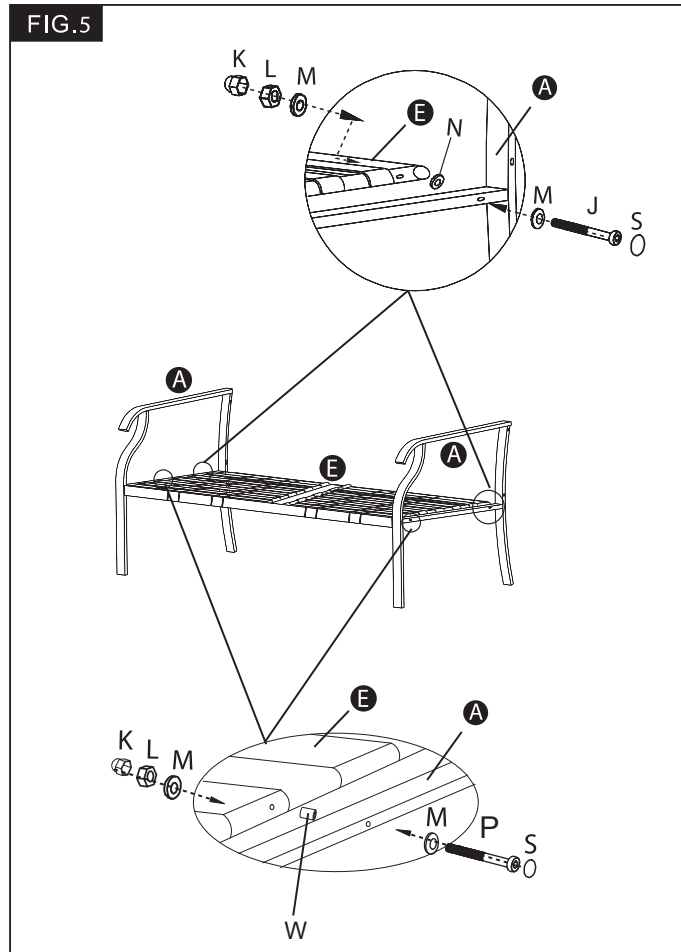
FIG.4



STEP 4: Place the Seat Cushion (H), Back Cushion (I) and scatter cushion (x). See Fig.4. Fasten the cushions to the chair frame by securing the velcro straps. Repeat this step for the other single chair.

ASSEMBLY INSTRUCTIONS

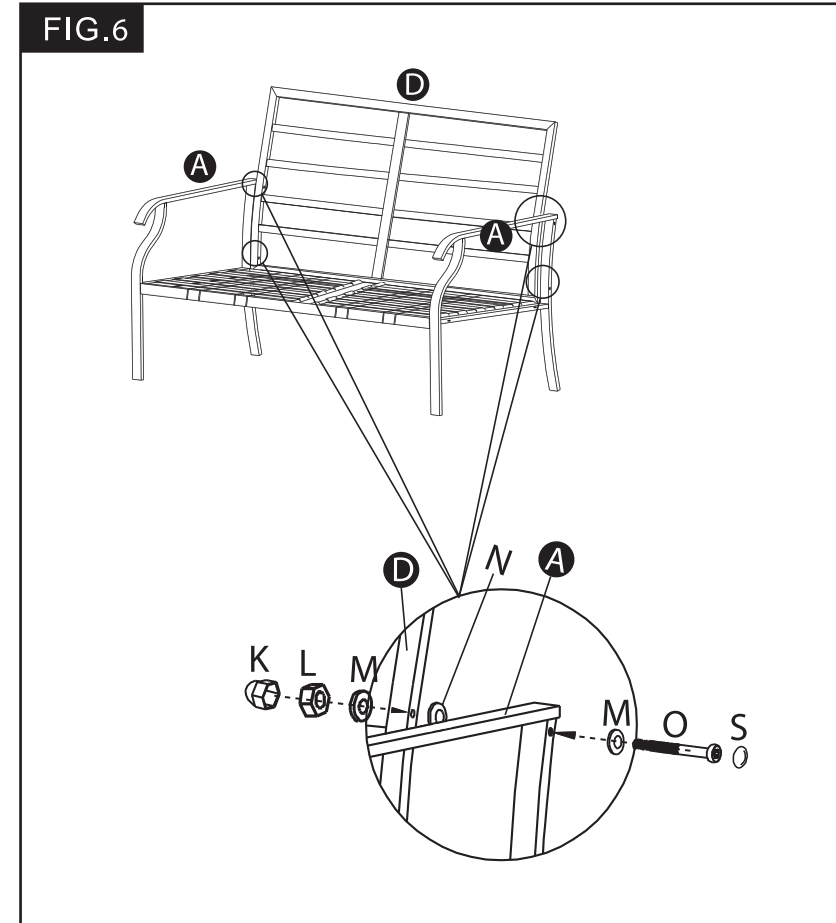
FIG.5



STEP 5: Connect the Armrest (A) to the Love Seat-Bench (E) by placing the Bolt (P) through the Washer (M) and into the back hole on the Armrest (A). Push the bolt through the hole and into the corresponding hole on the Love Seat-Bench (E) and Plastic Washer (N), then place the Washer (M), the Nut (L), and the Nut Cap (K) onto the bolt. Then, place the Bolt Cap (S) on the opposite end of the bolt. Repeat using same parts to attach the other 3 corners. See Fig.5.

ASSEMBLY INSTRUCTIONS

FIG.6



STEP 6: Connect the Love Seat-Back (D) to the Armrest (A) by placing the Bolt (O) through the Washer (M) and into the hole on the Armrest (A). Push the bolt through the hole and into the corresponding hole on the Love Seat-Back (D), then place the Washer (M) and the Nut (L), and the Nut Cap (K) onto the bolt. Then, place the Bolt Cap (S) on the opposite end of the bolt. Repeat using same parts to attach the other 3 corners. See Fig.6.