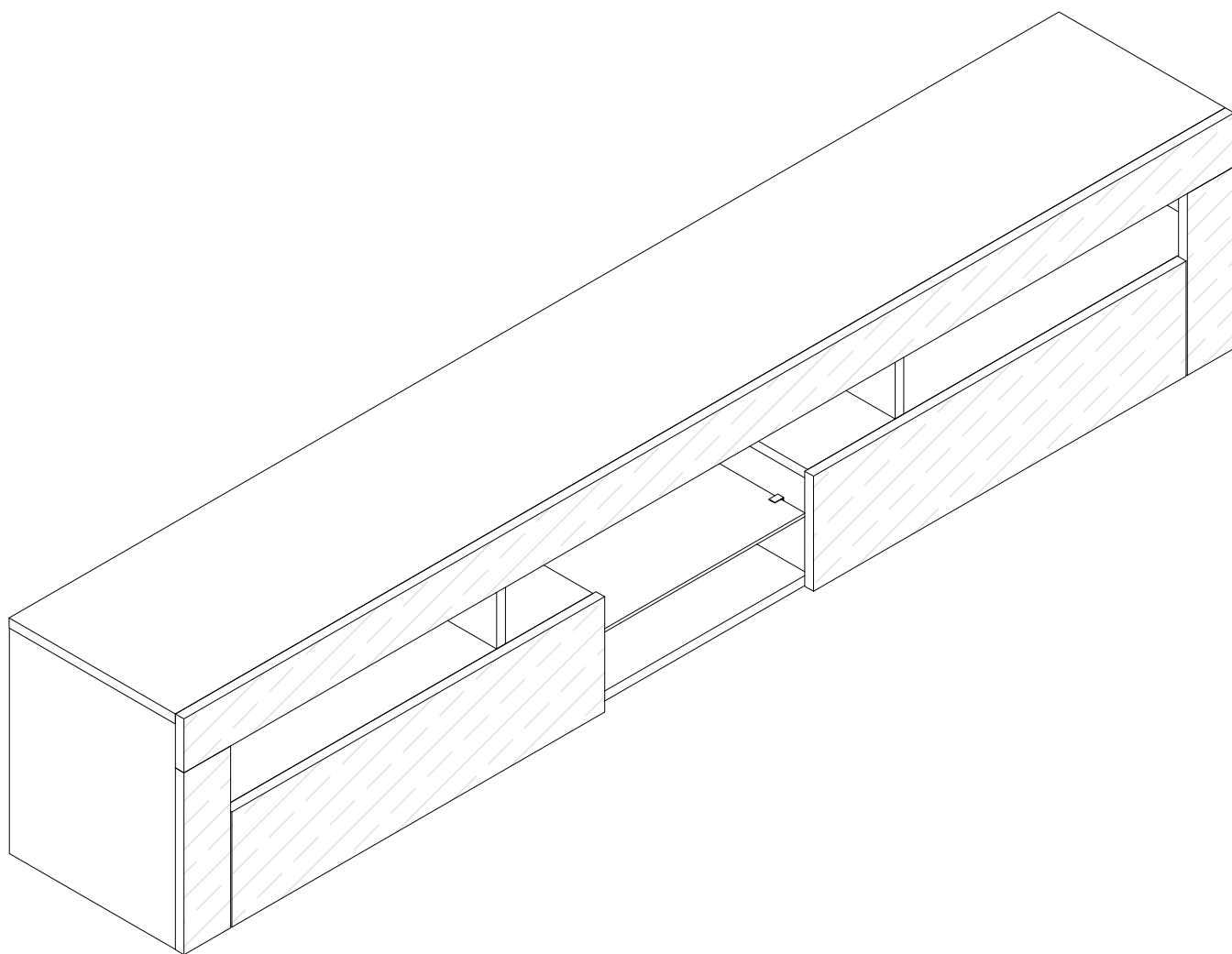
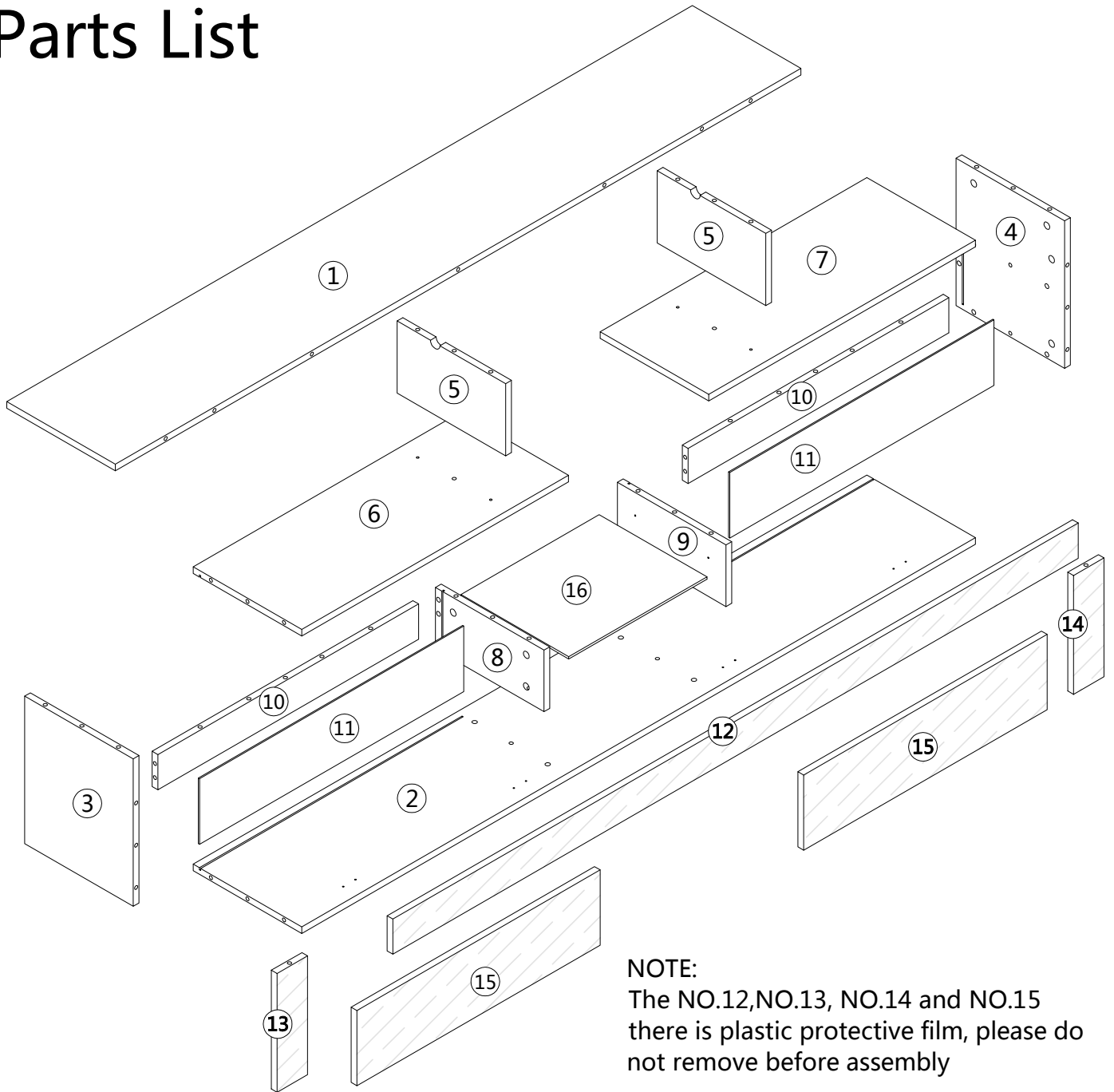


ASSEMBLY INSTRUCTION

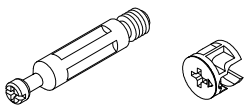


W1800 x D300 x H350MM

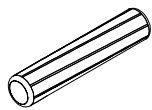
Parts List



NOTE:
The NO.12,NO.13, NO.14 and NO.15
there is plastic protective film, please do
not remove before assembly



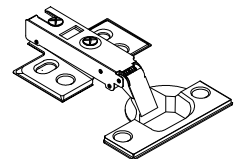
A1
A2
A x 49sets



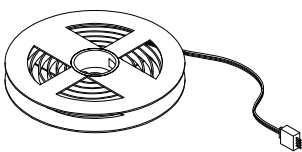
8 x 40 MM
B x 22pcs



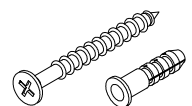
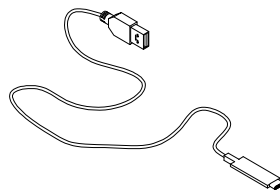
4 x 14 MM
C x 44pcs



D x 4pcs



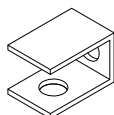
E x 1set



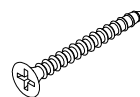
F x 4sets



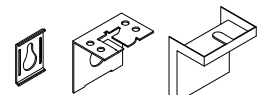
G x 8pcs



H x 4pcs



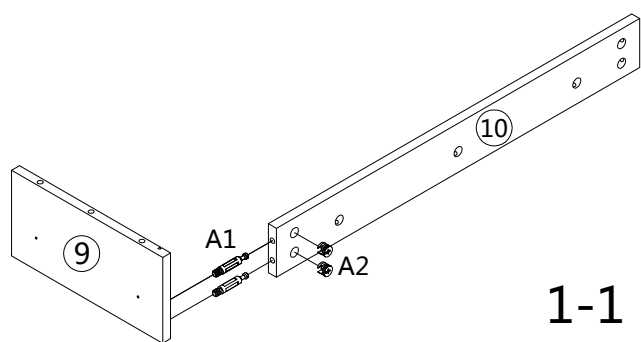
4 x 35 MM
J x 4pcs



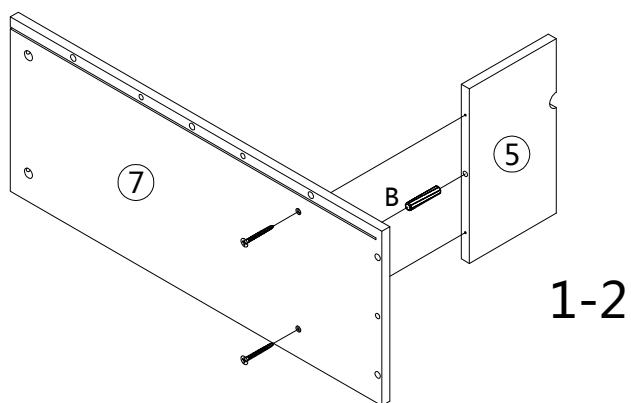
K x 4sets

Step 1

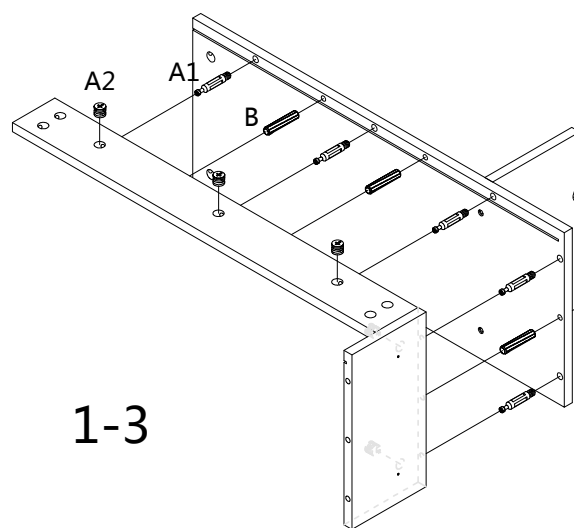
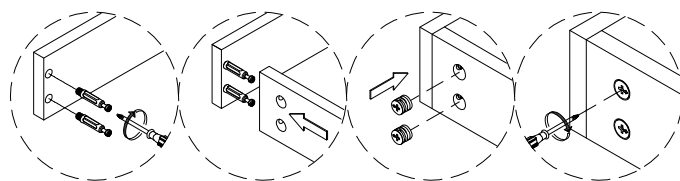
A x 7 B x 4 J x 2



1-1



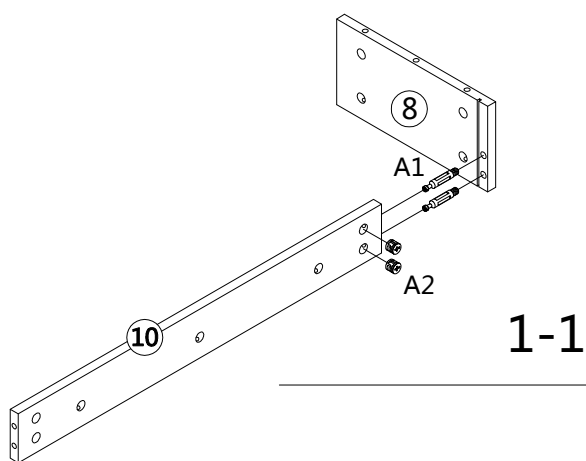
1-2



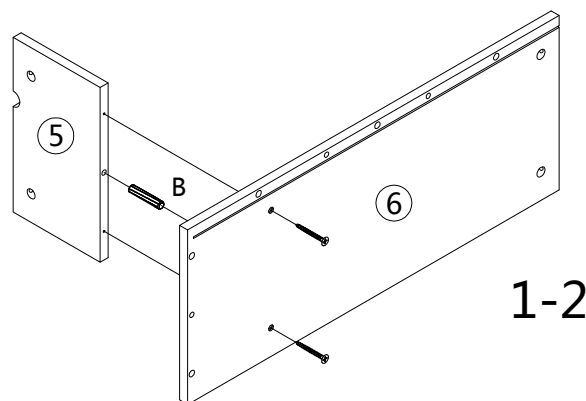
1-3

Step 2

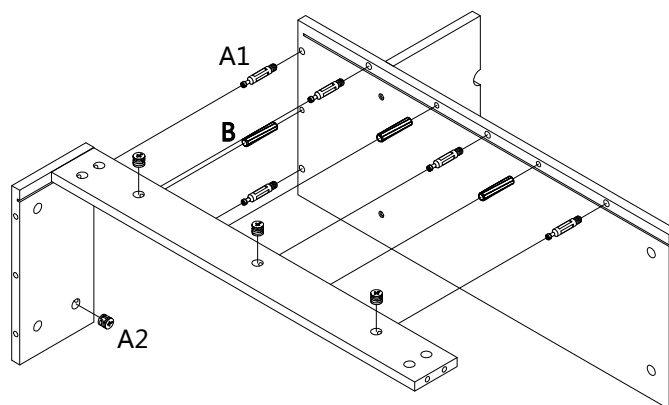
A x 7 B x 4 J x 2



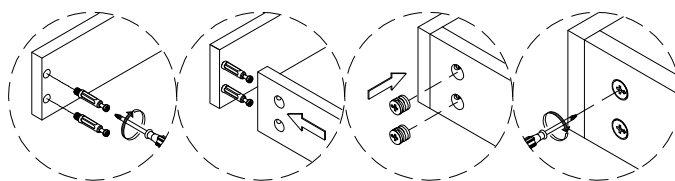
1-1



1-2

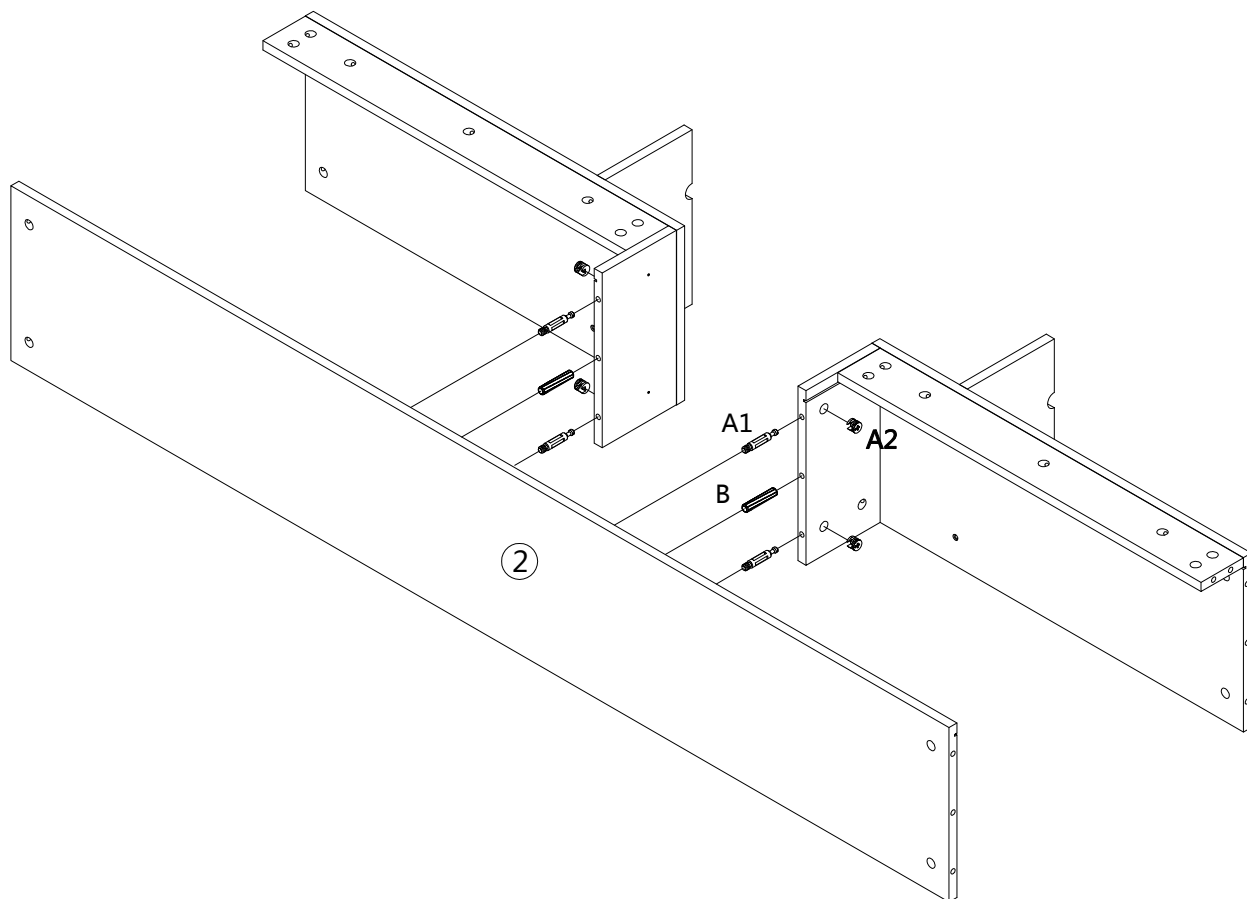


1-3

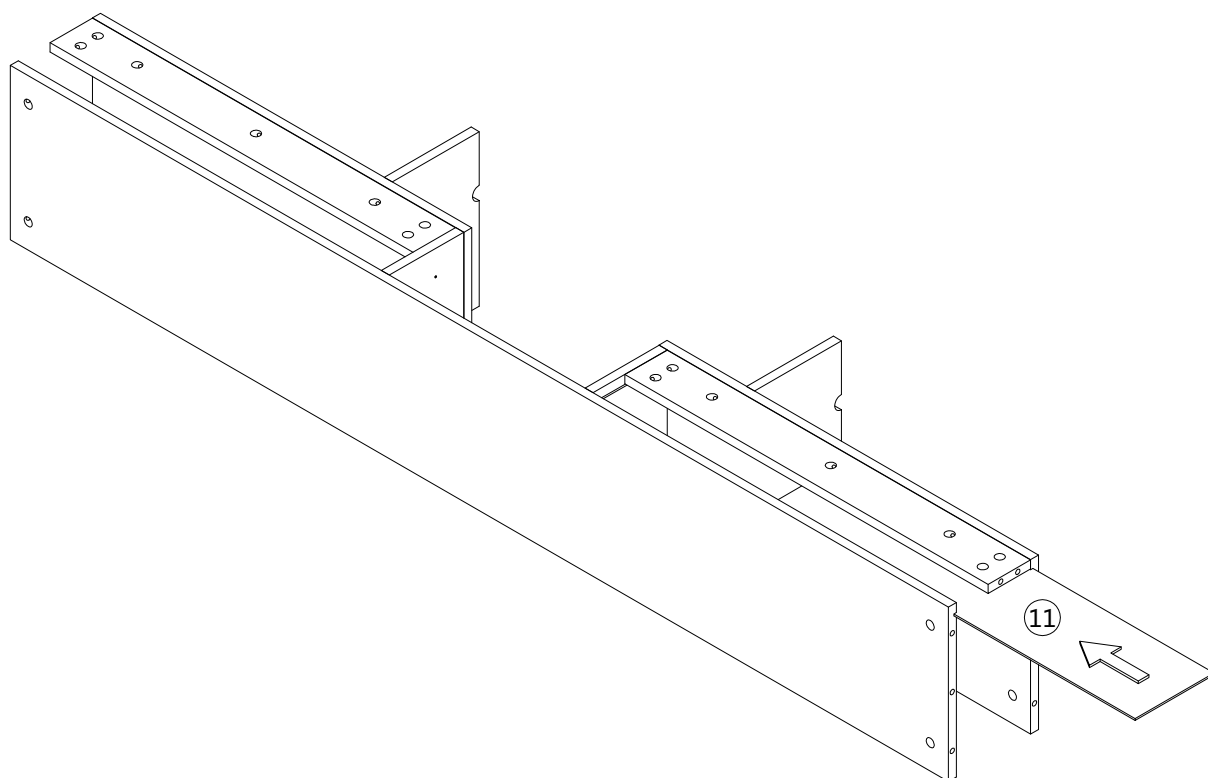


Step 3

A x 4 B x 2

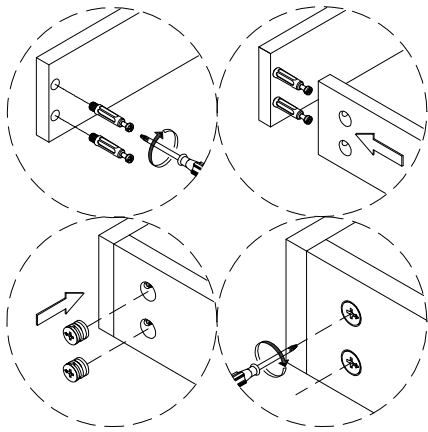


Step 4

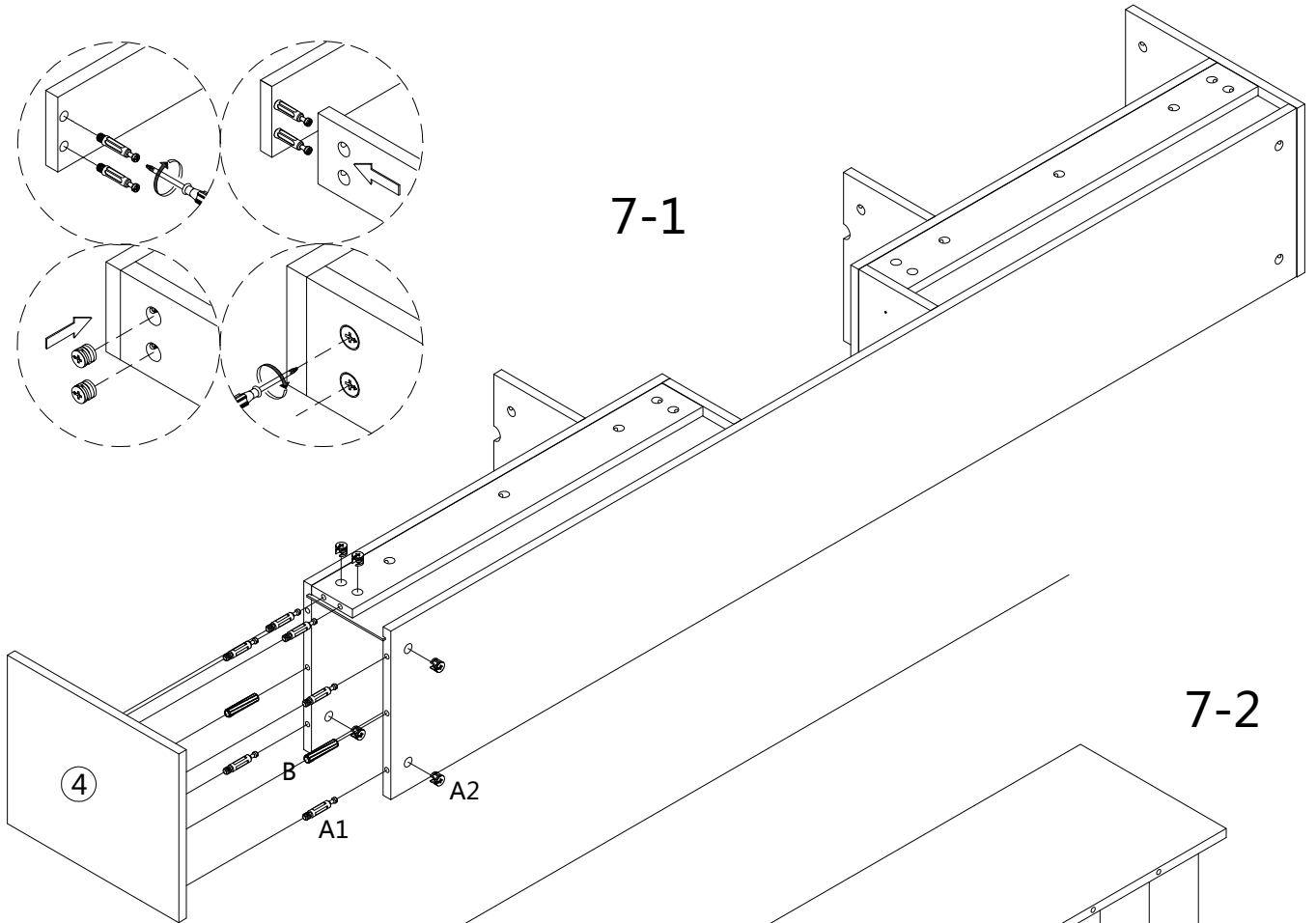


Step 7

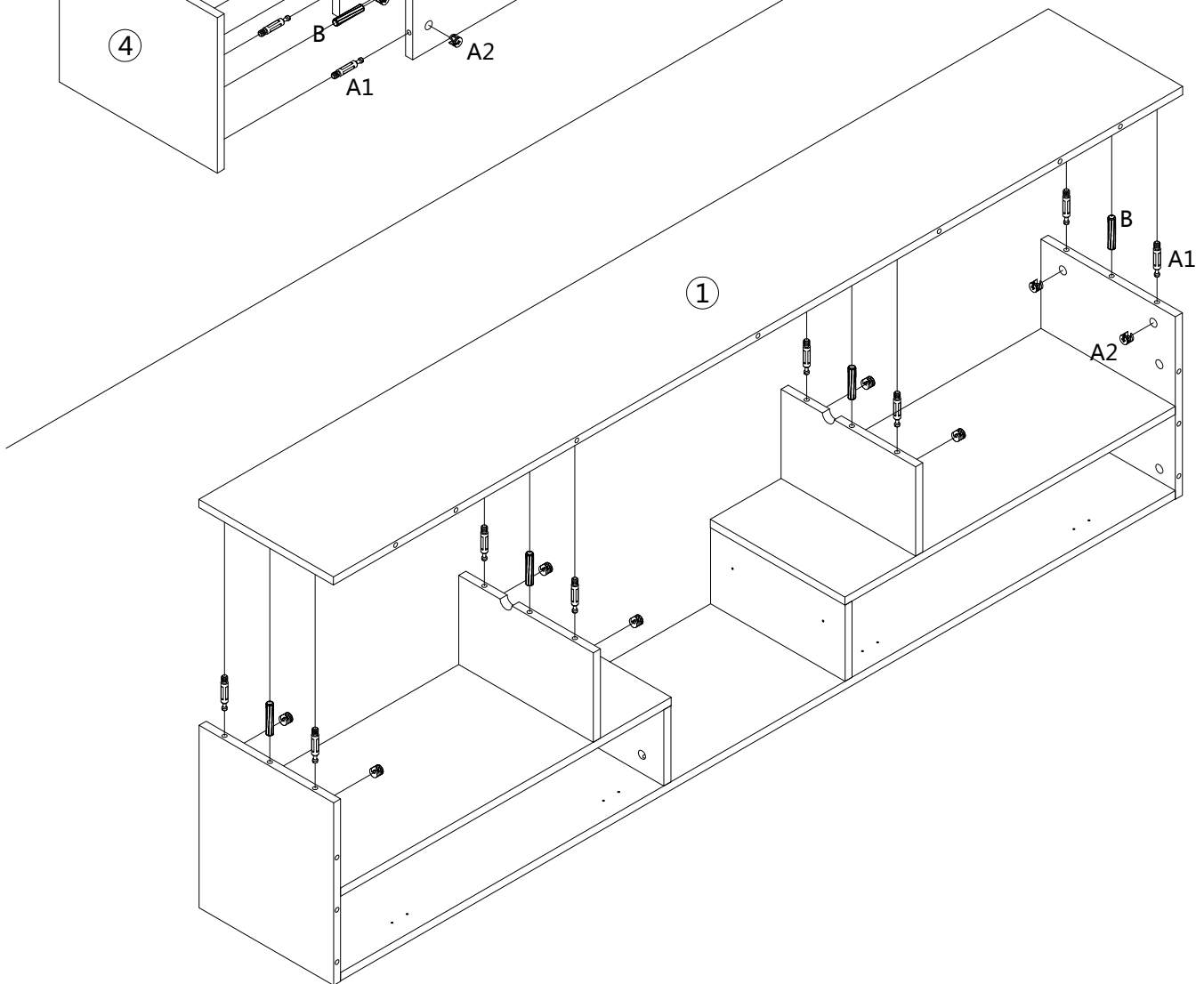
A x 14 B x 6



7-1

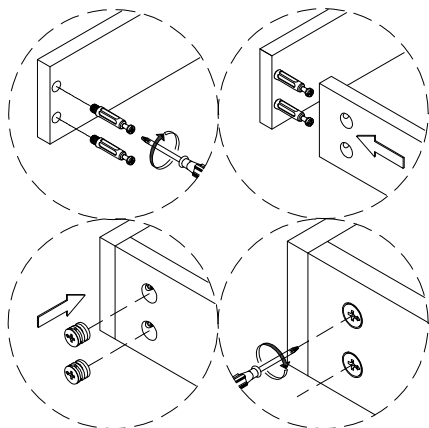


7-2

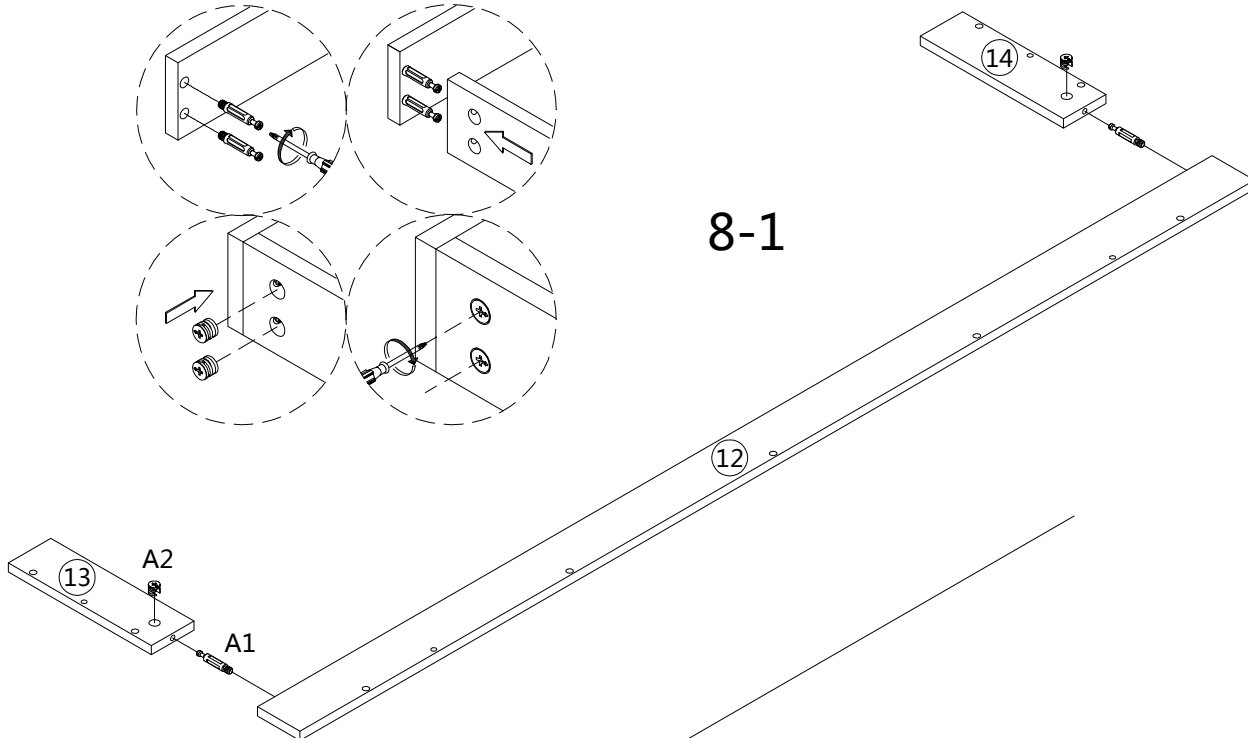


Step 8

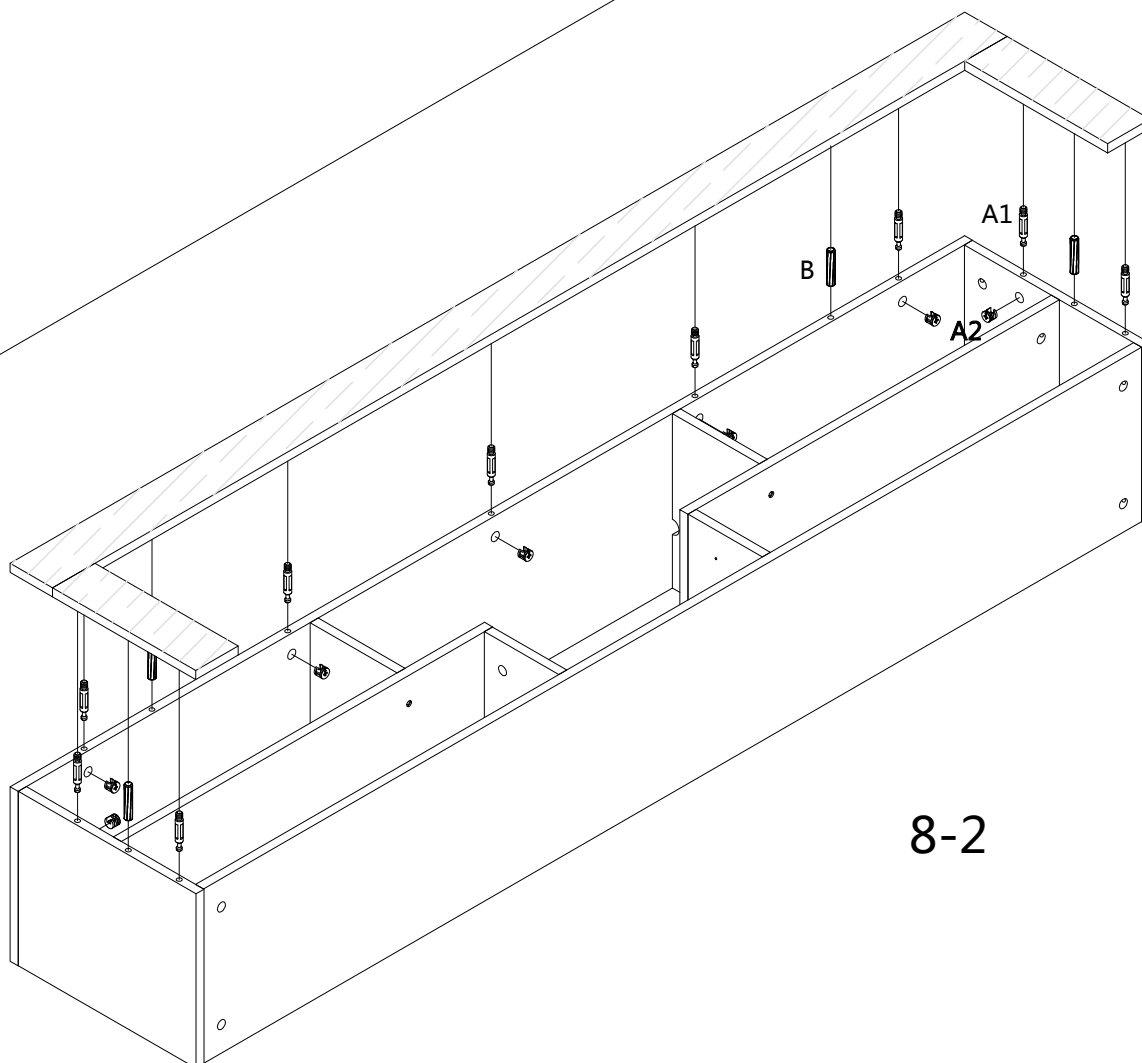
A x 11 B x 4



8-1

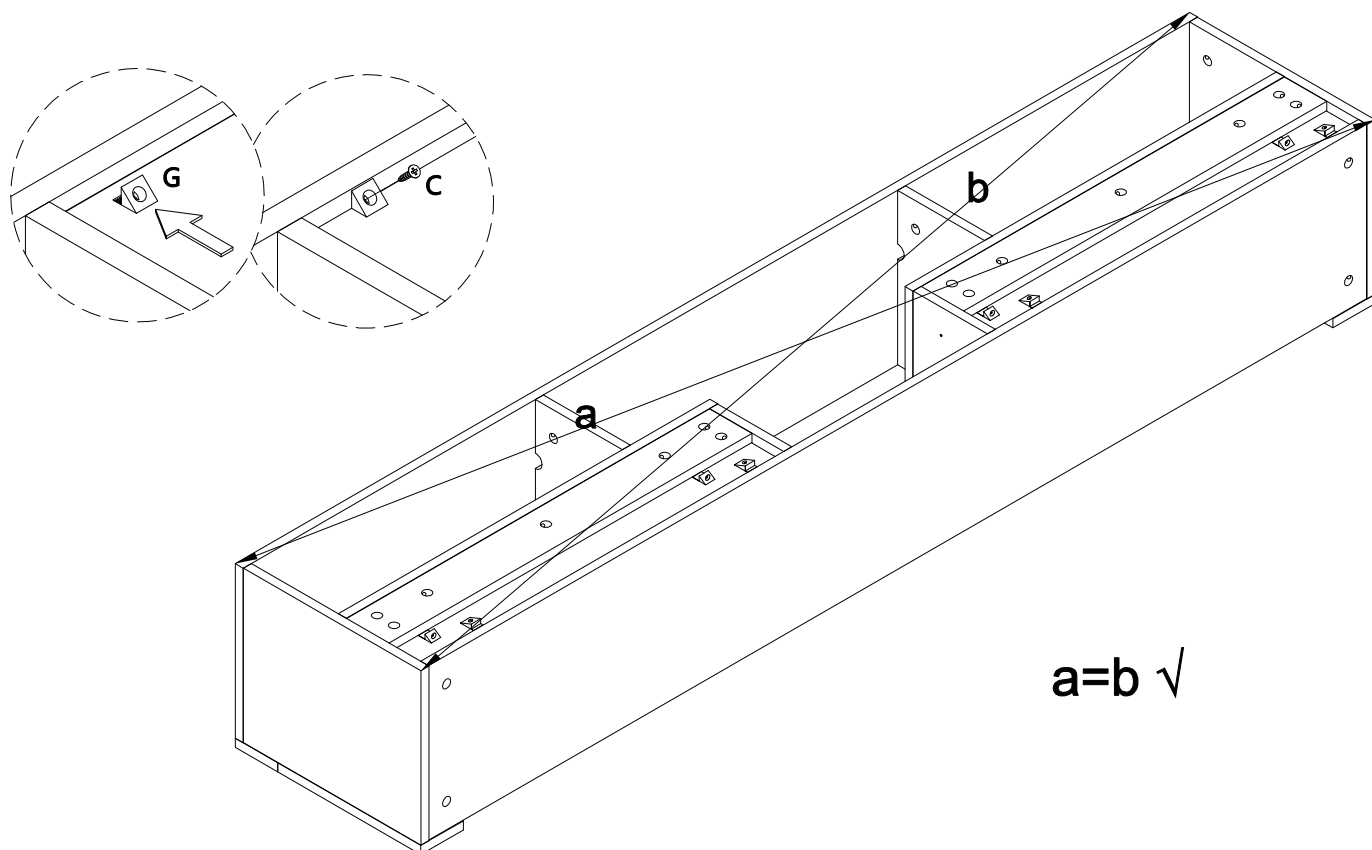


8-2



Step 9

C x 8 G x 8

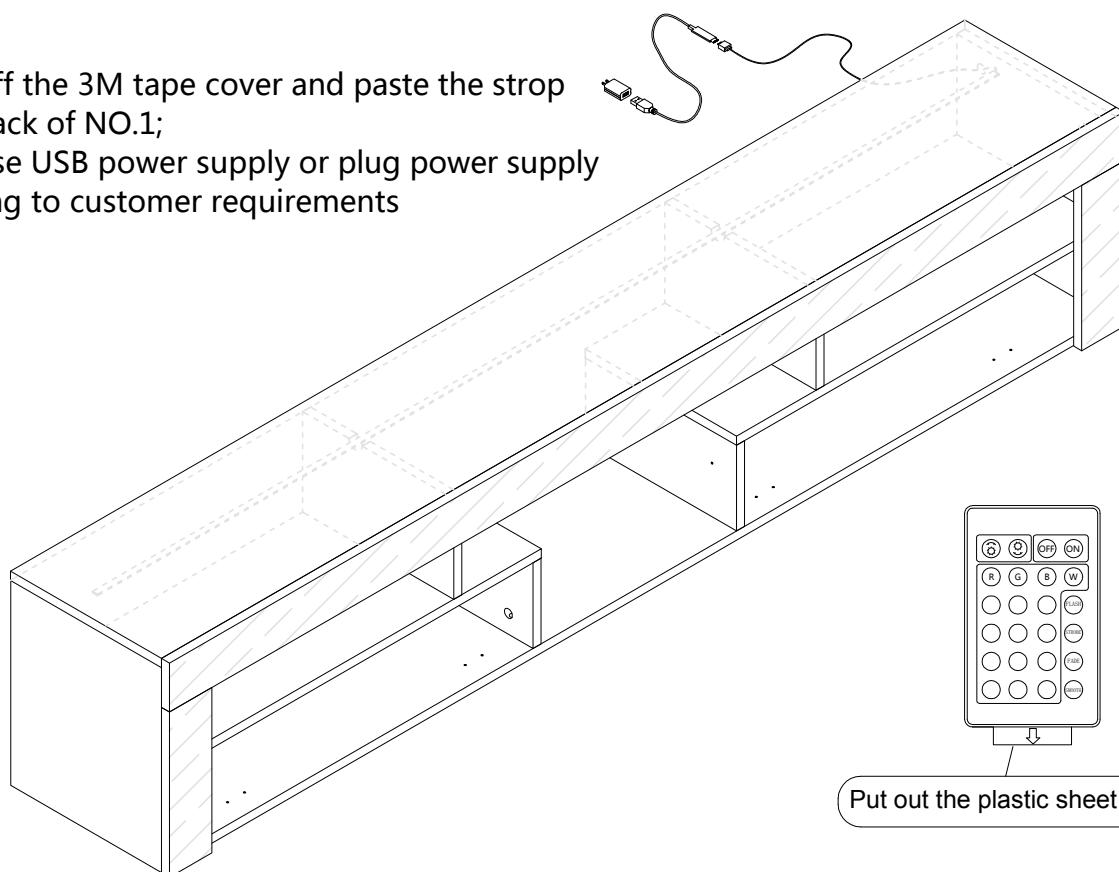


Step 10

E x 1

NOTE:

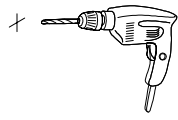
1. Peel off the 3M tape cover and paste the stop in the back of NO.1;
2. Choose USB power supply or plug power supply according to customer requirements



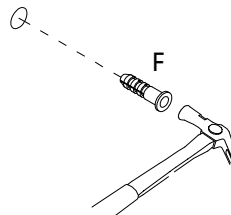
Step 11

C x 16 F x 4 K x 4

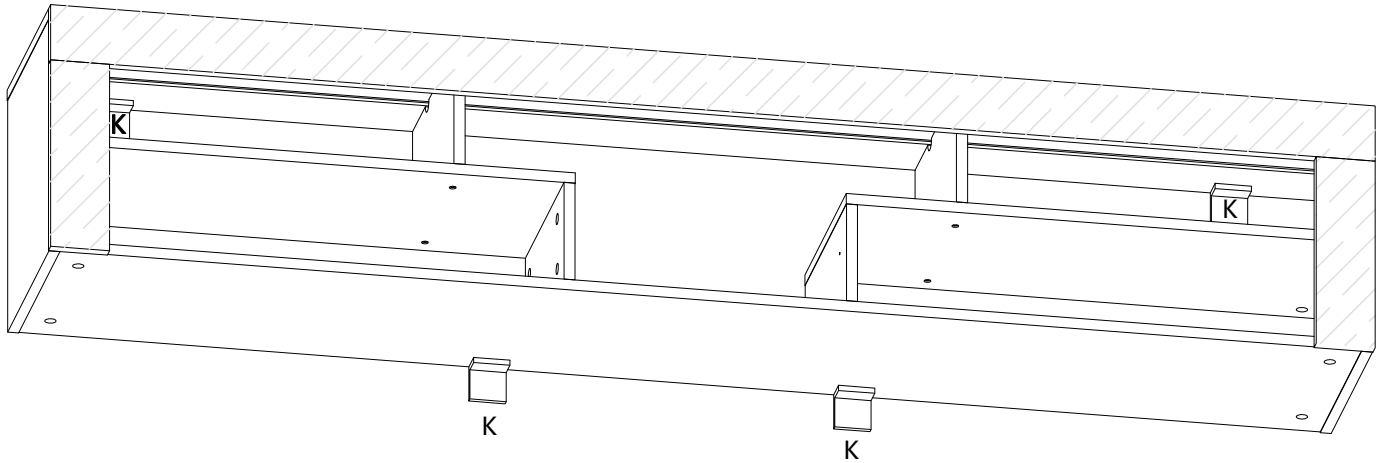
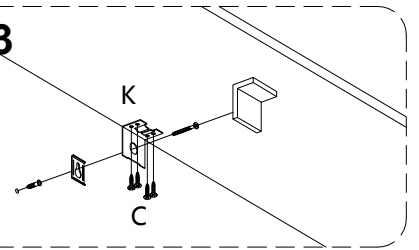
1



2

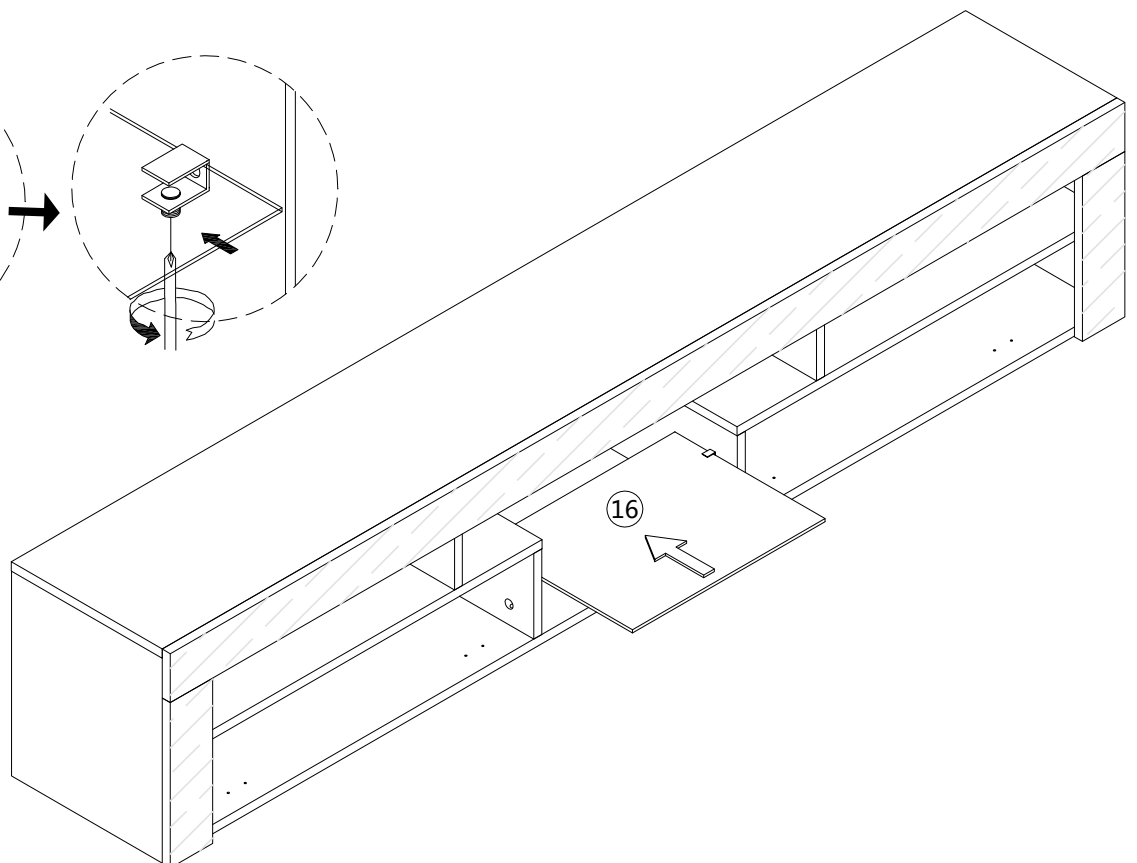
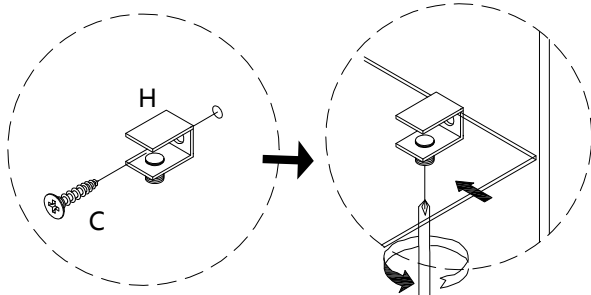


3



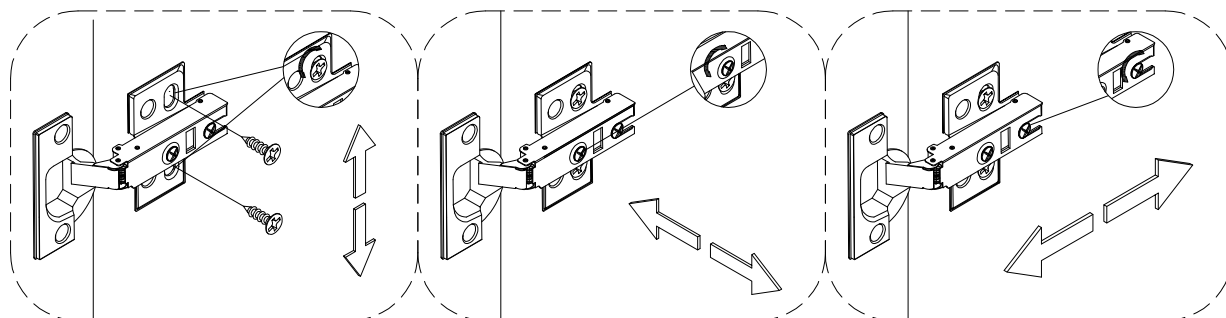
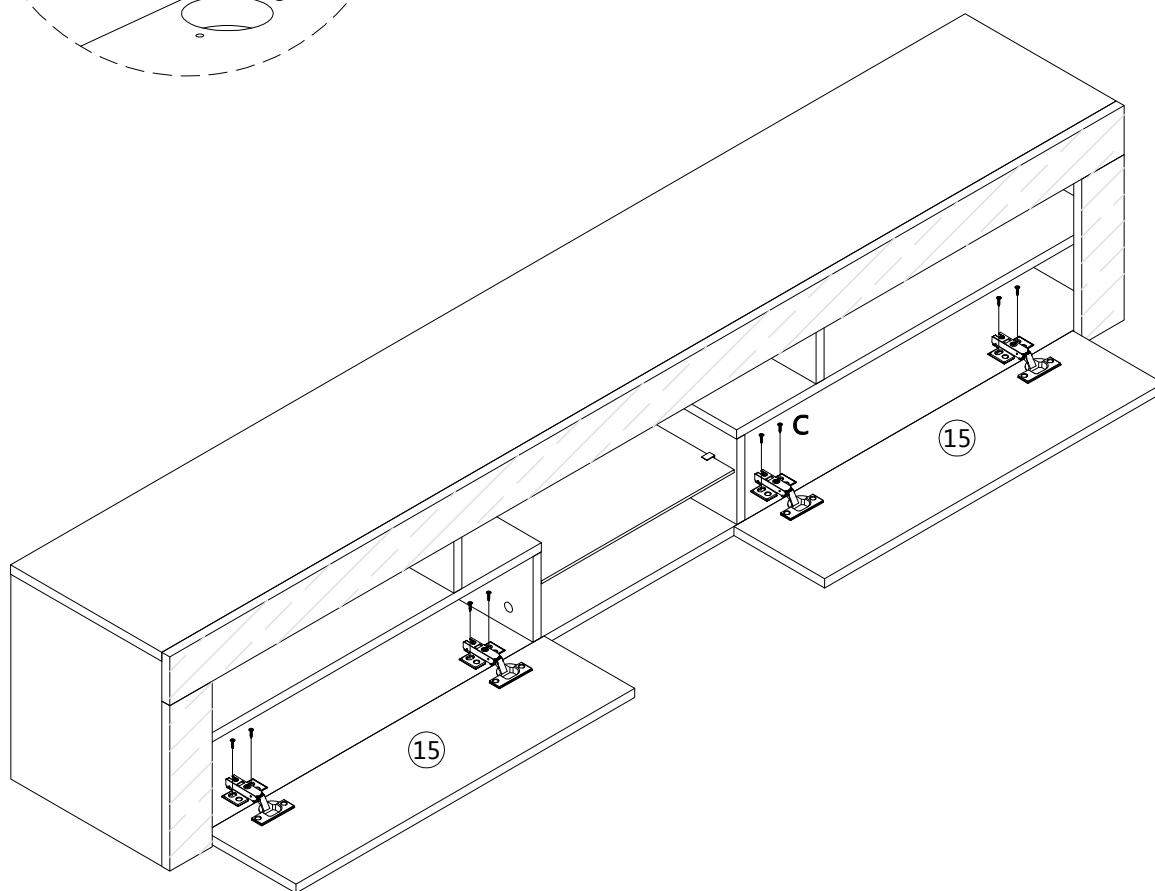
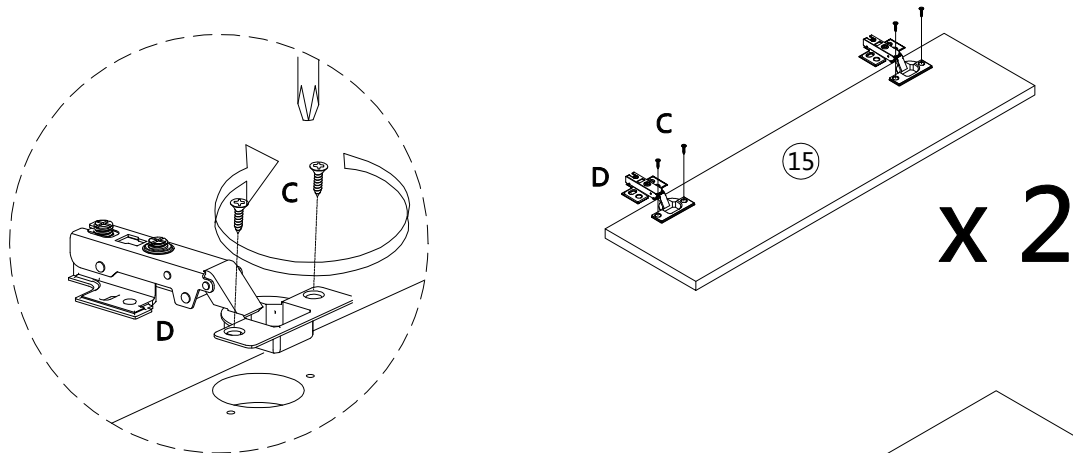
Step 12

C x 4 H x 4



Step 13

C x 16 D x 4



After assembly, remove the protective plastic film from the NO.12, NO.13, NO.14, NO.15.