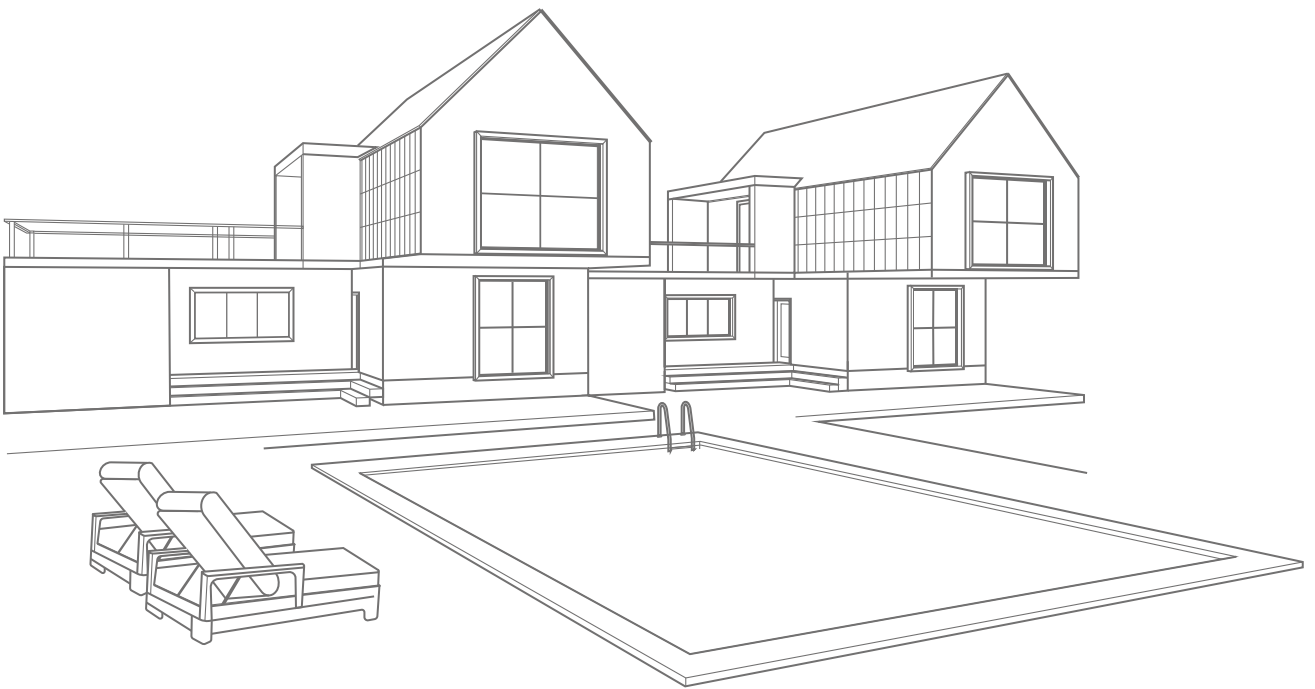
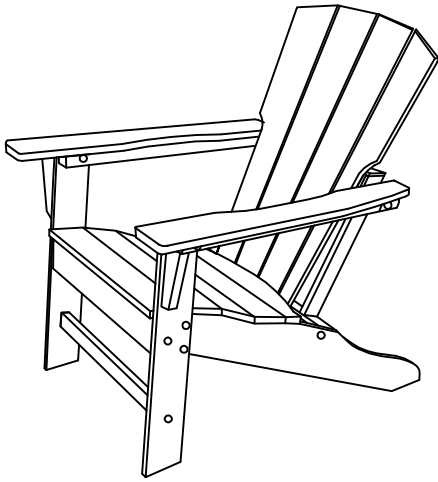


patio chair



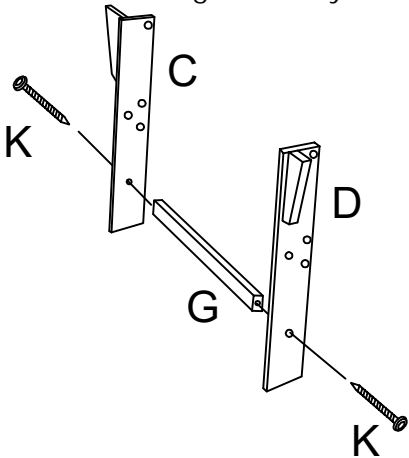
Plastic Adirondack Chair Assembly Instructions



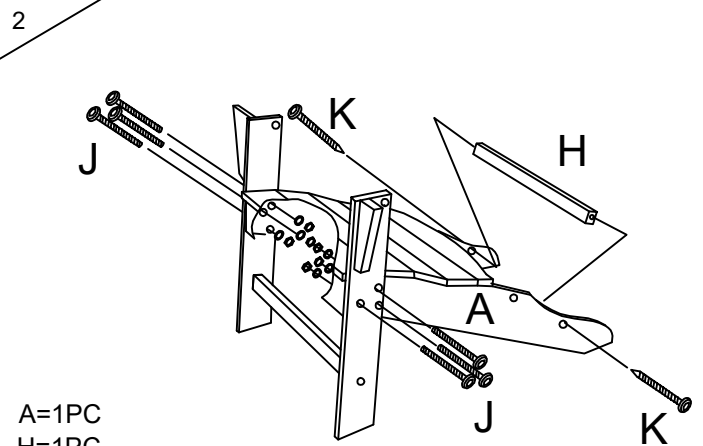
A (1pc)		B (1pc)	
C (1pc)	D (1pc)	E (1pc)	F (1pc)
G (1pc)	H (1pc)	I (2sets)	J (8sets)
K (6pcs)	TOOLS & MATERIALS NEEDED		
	10mm 		
	6X50mm		

Note: Do not tighten all screws until last step

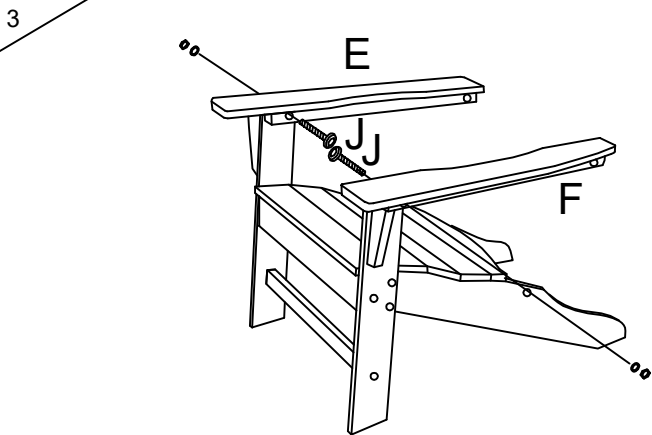
1 Caution: Please do not over-tighten bolts and screws during assembly



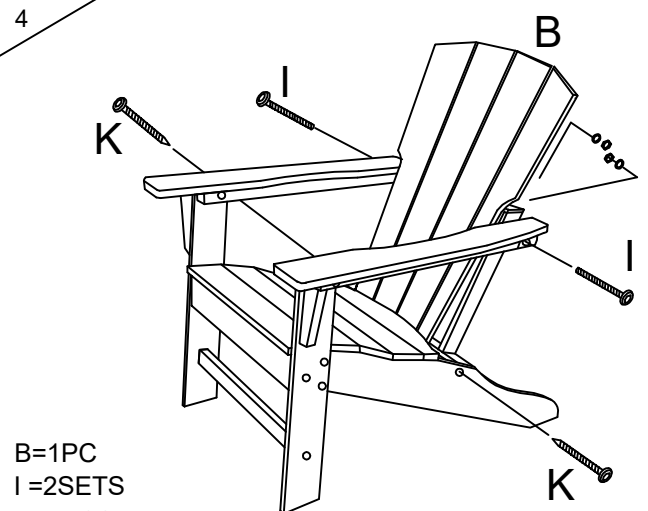
C=1PC
D=1PC
G=1PC
K=2PCS



A=1PC
H=1PC
J=6SETS
K=2PCS



F=1PC
E=1PC
J=2SETS



B=1PC
I=2SETS
K=2PCS