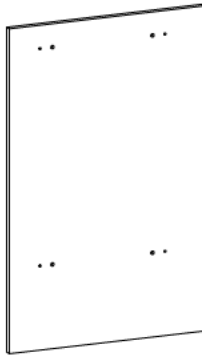


Ax1



Bx1



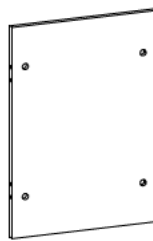
Cx1



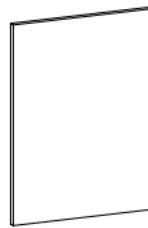
Dx1



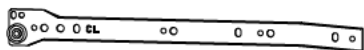
Ex1



Fx1



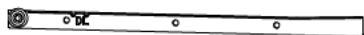
Gx1



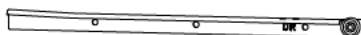
CLX1



DLX1



DLX1



DRX1



HX16



IX16



JX16



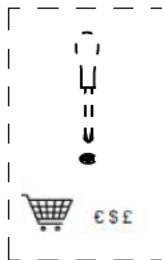
KX28



LX2



MX2



mm
inch

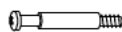


x2

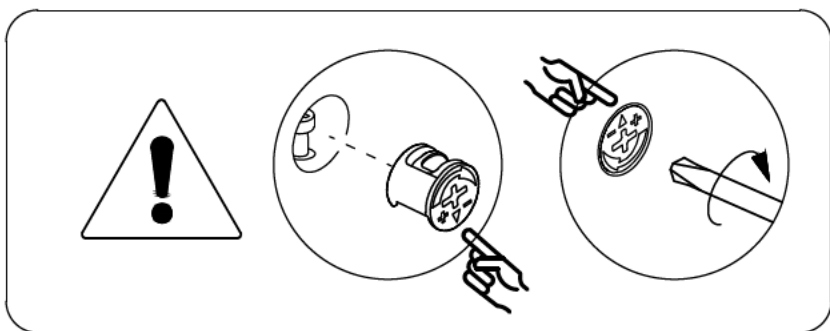
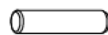
①



Ix2

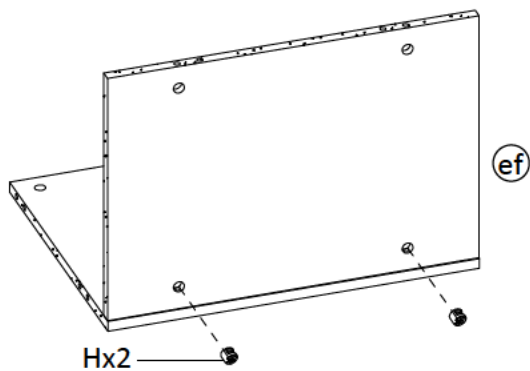


Jx2



②

Hx2



③

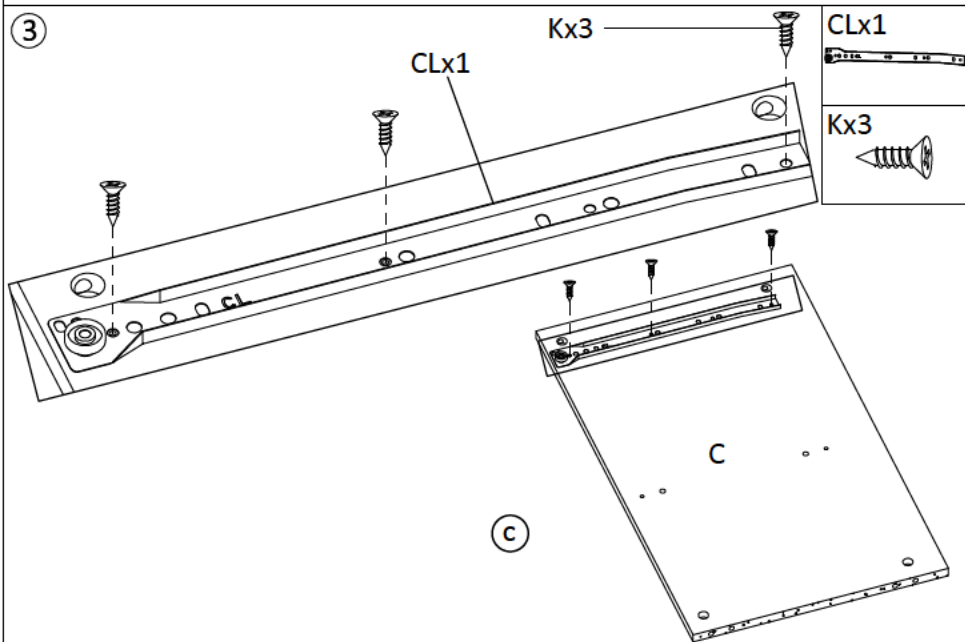
Kx3

CLx1



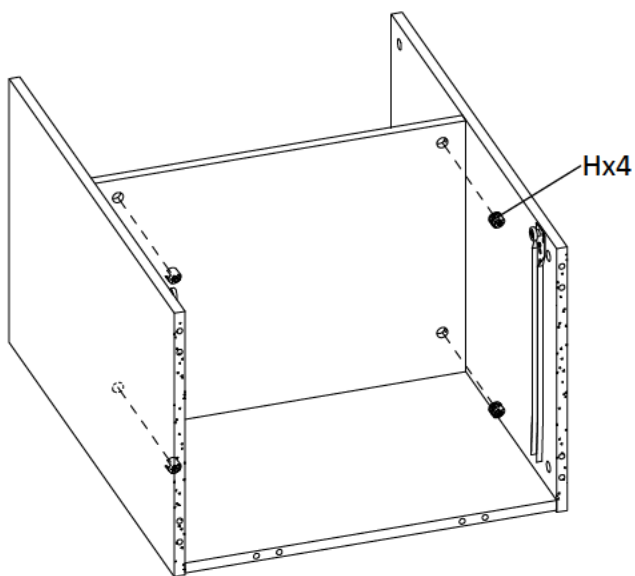
CLx1

Kx3



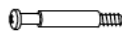
⑥

Hx4

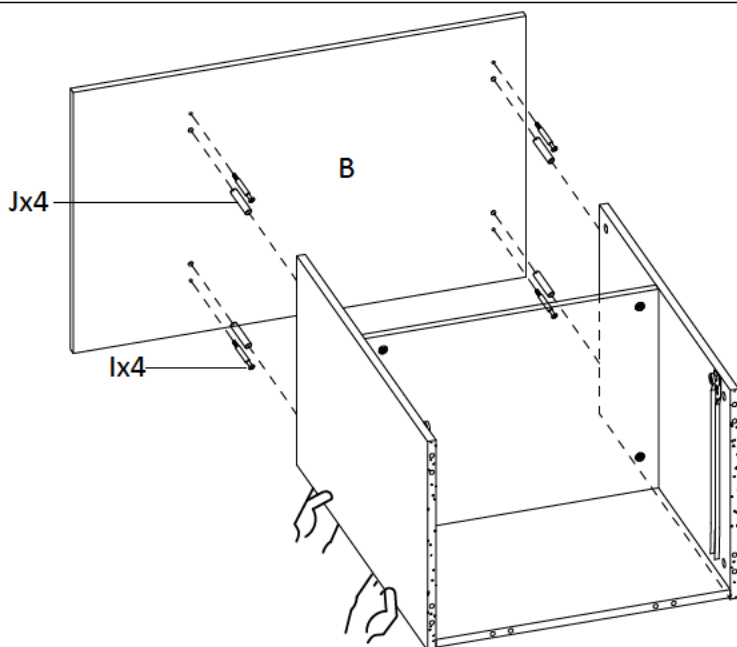


⑦

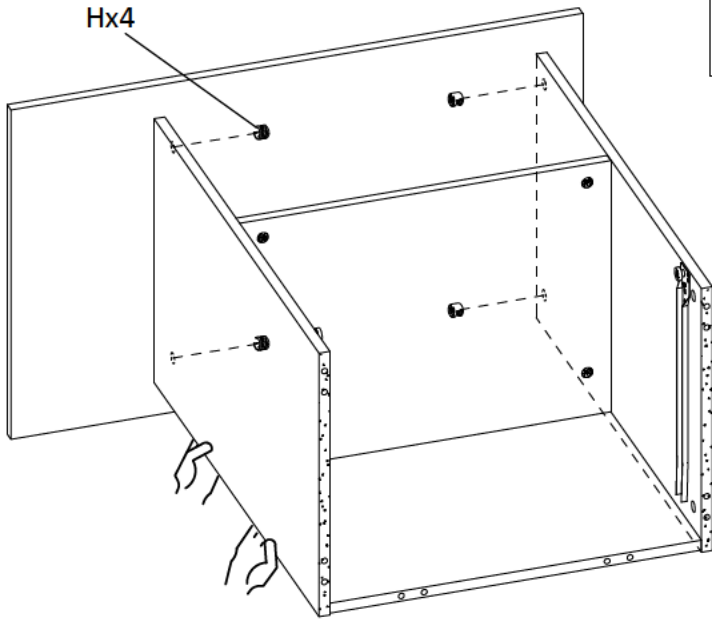
Ix4



Jx4



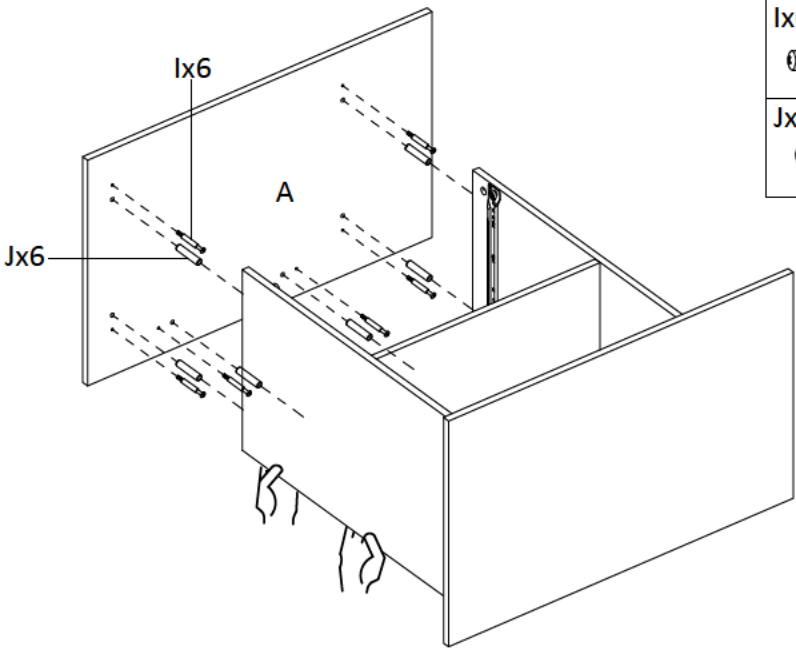
8



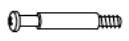
Hx4



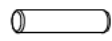
9



Ix6



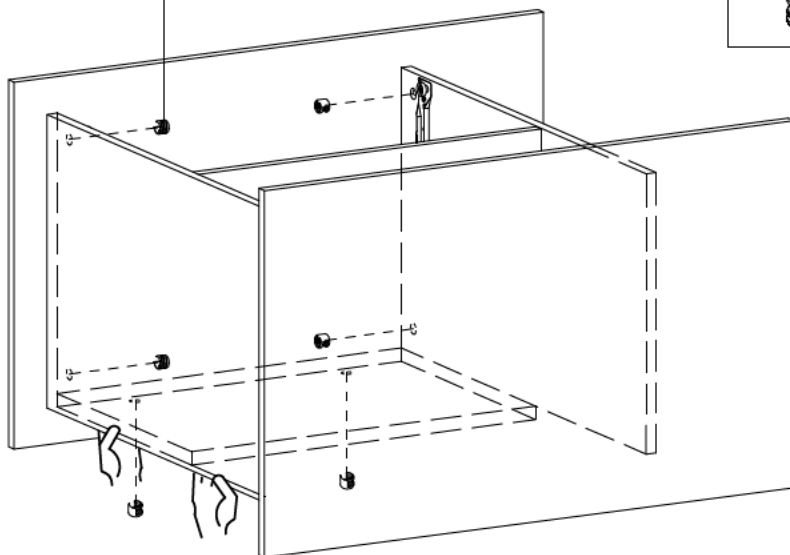
Jx6



10

Hx6

Hx4



11

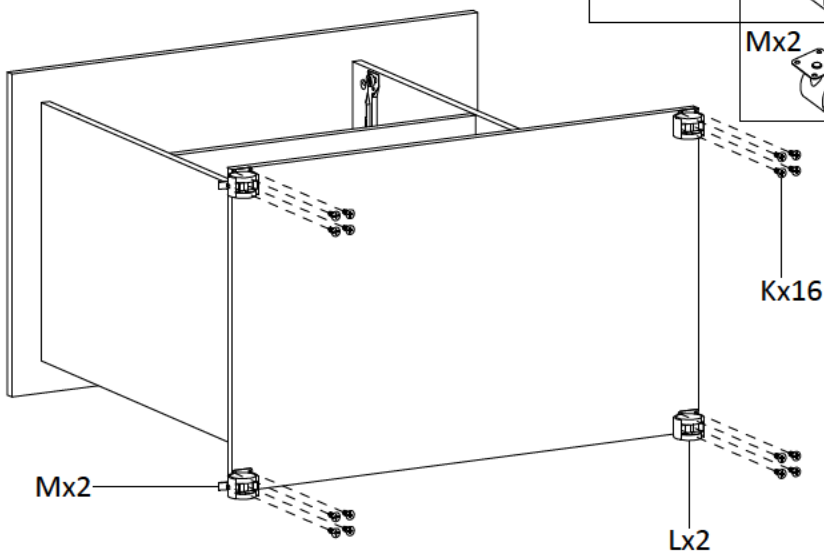
Kx16



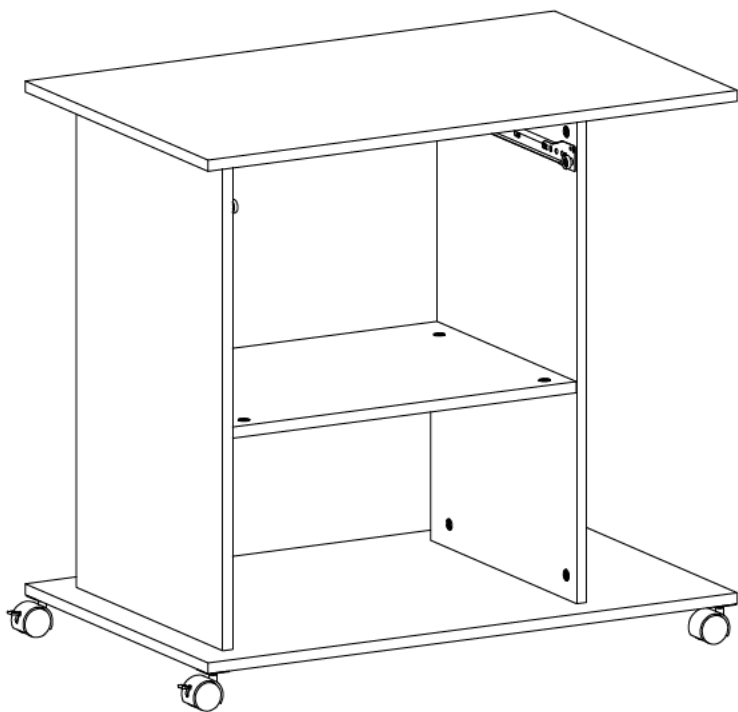
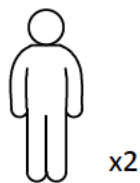
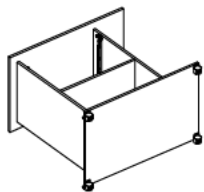
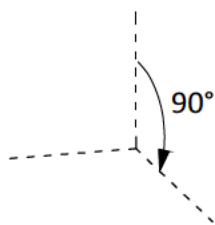
Lx2



Mx2



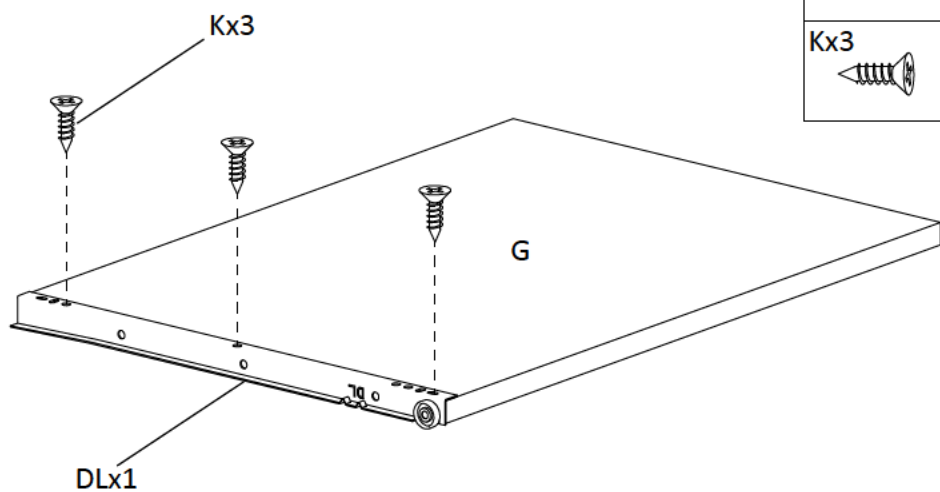
12



13

DLx1

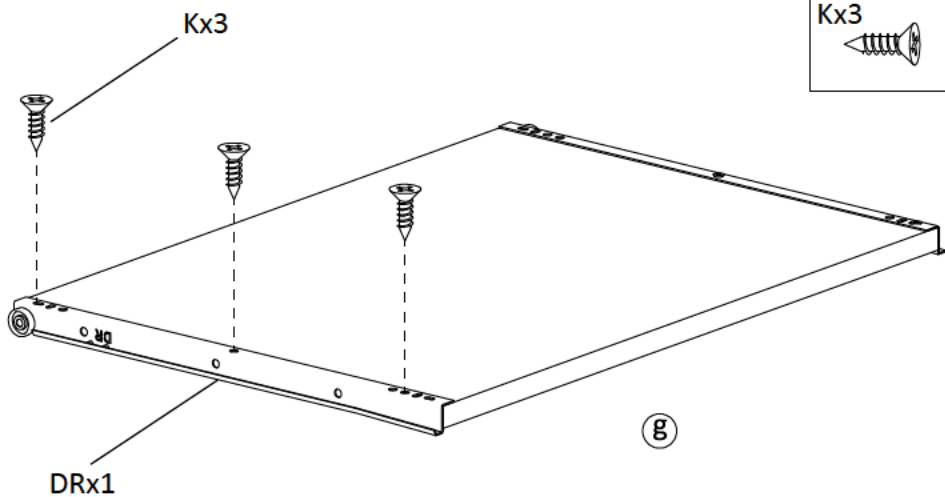
Kx3



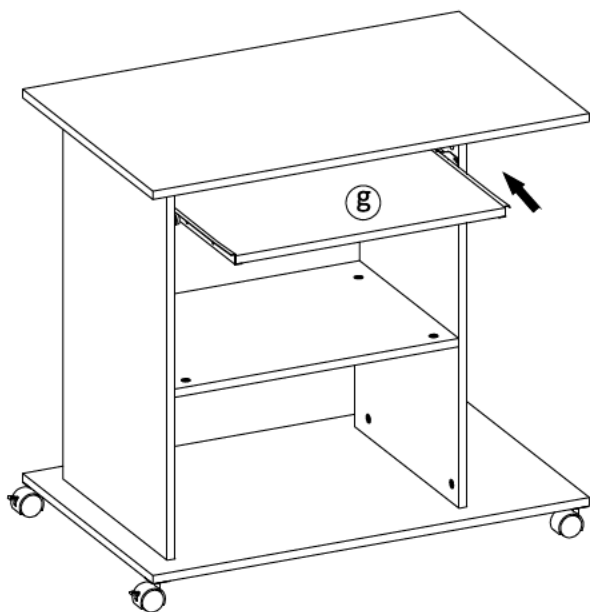
14

DRx1

Kx3



15



15

