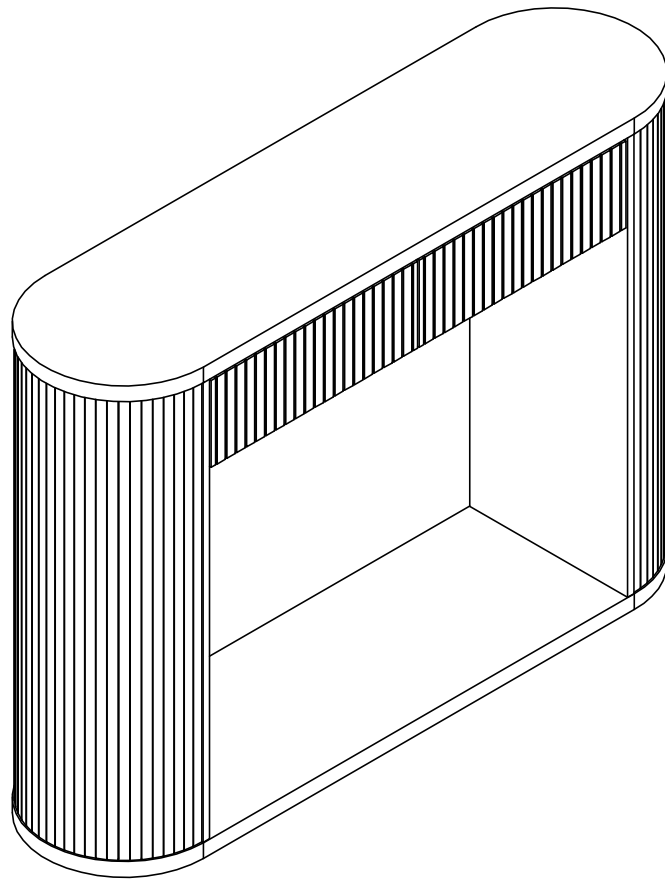


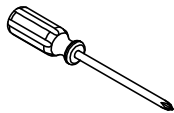
# Installation Instruction



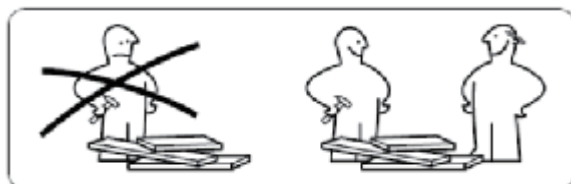
# Assembling

## What you need

- Use the packaging carton as a working surface to prevent product damage during assembly
- Phillips head screwdriver



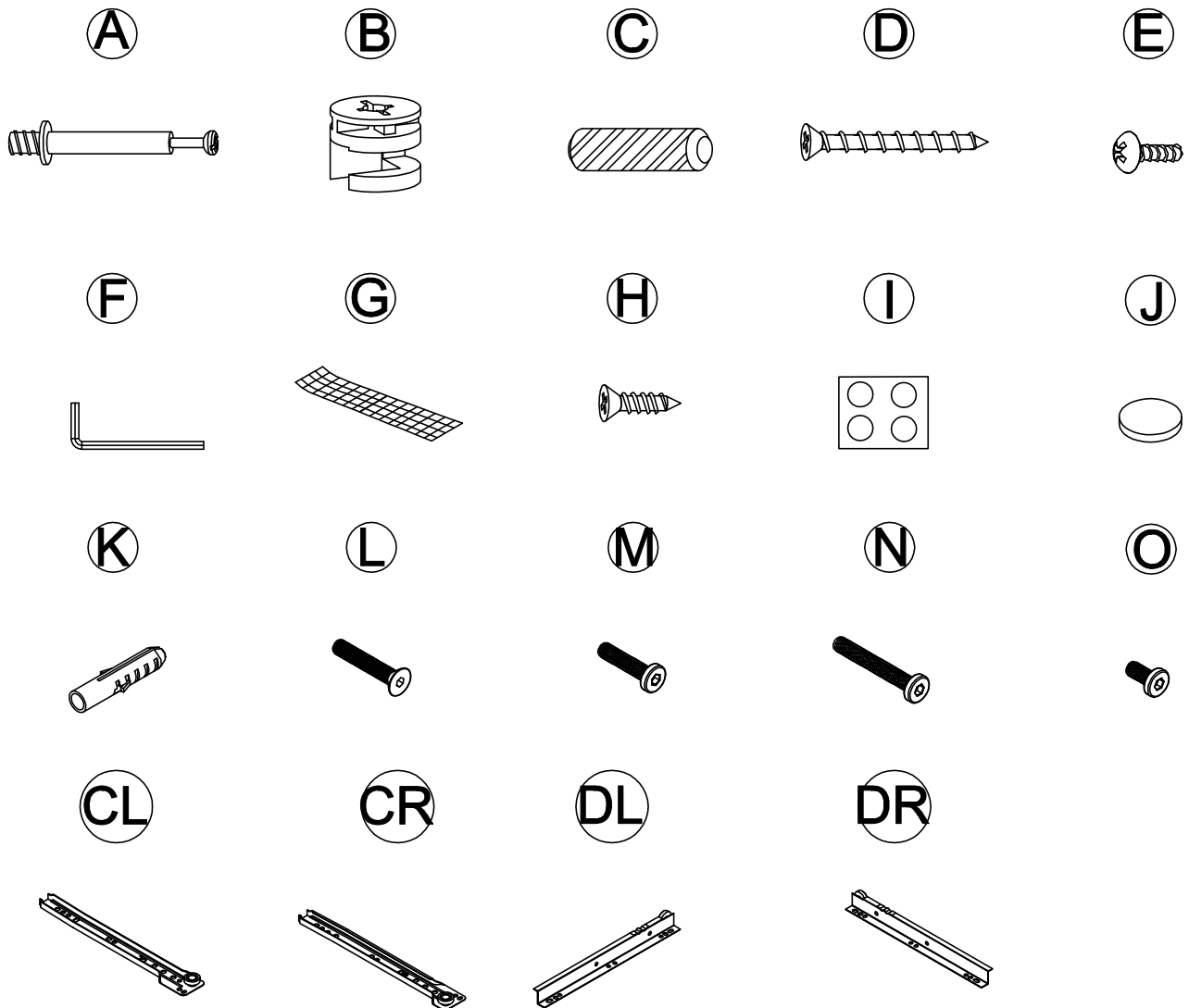
## Weight Limitation



# What' included

Code	Description	Qty
A	Cam Bolt M6X35MM	24
B	Cam Lock 15X9MM	24
C	Wooden Dowel M8X30MM	16
D	Screw M4X40MM	18
E	Screw M3.5X14MM	2
F	Wrench M4X55MM	1
G	Nylon Strap	2
H	Screw M3.0X12MM	16
I	Hole position sticker	26
J	EVA foot mat	6
K	Anchor	2
L	Screw M6X30MM	8
M	Screw M6X24MM	12
N	Screw M6X30MM	12
O	Screw M6X12MM	8
CL	Left mother extended orbit	2
CR	Right mother extended orbit	2
DL	Left public extension track	2
DR	Right public extends track	2

# The Hardwares



## IMPORTANT:

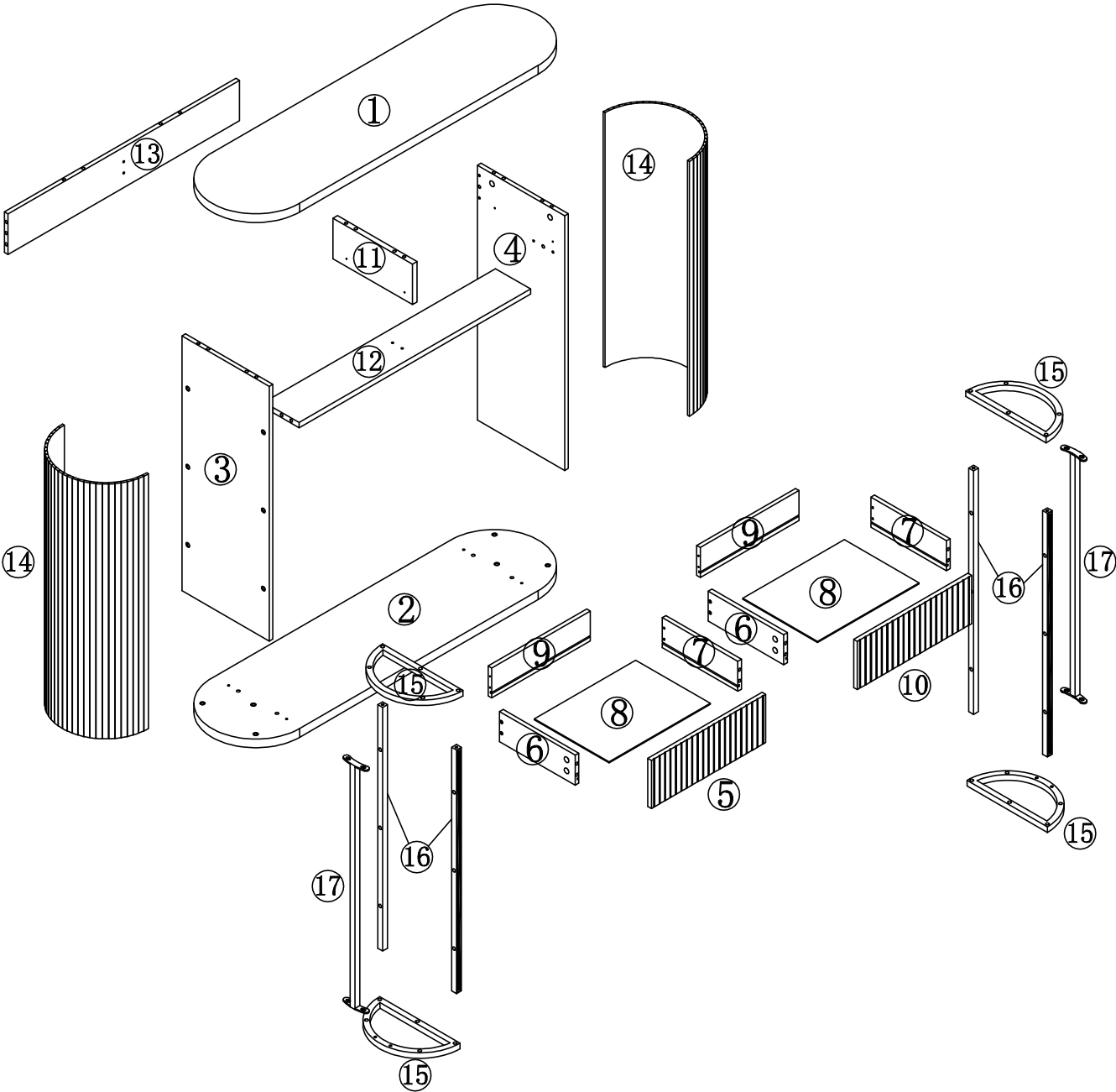
1. Do not tighten bolts / screws completely until all bolts / screws are lined up and inserted into holes.
2. Do not over tighten screws and bolts to avoid stripping
3. Please use hand tools to assemble this product, you can also use power tools (please use power tools carefully)

# Included Accessories


---

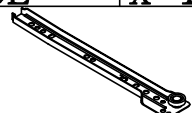
Code	Description	Qty
1	Cabinet Top	1
2	Bottom Panel	1
3	Left Side Panel	1
4	Right Side Panel	1
5	Left-hand drawn noodles	1
6	Drawer left panel	2
7	Drawer right side panel	2
8	The drawer bottom	2
9	After the drawer board	2
10	Right-hand side drawn noodles	1
11	Neutral plate	1
12	Laminate	1
13	Backboard	1
14	Edge panel	2
15	Semi-circular iron frame	4
16	Direct connection pipe	4
17	Arc-shaped connecting pipe	2

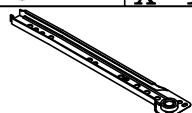
# The Accessoriess

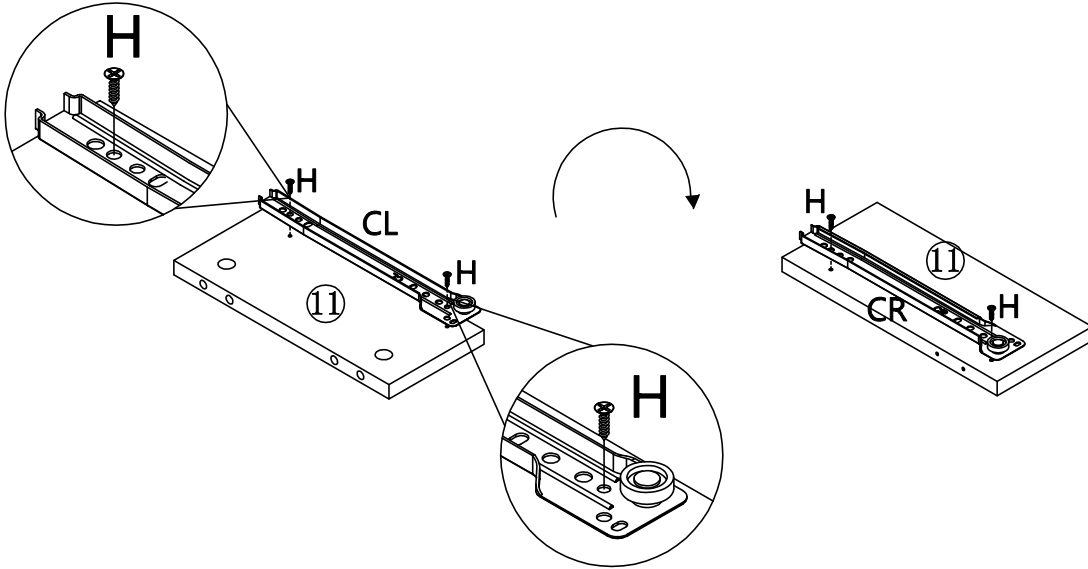
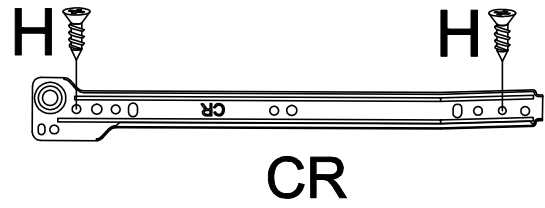
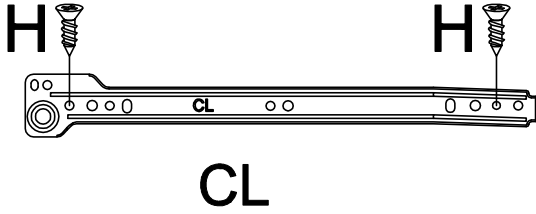


# Step 1

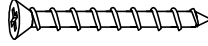
H	x 4
	

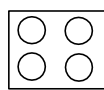
CL	x 1
	

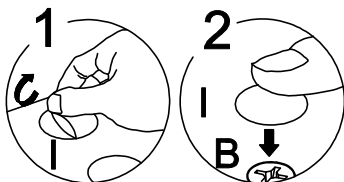
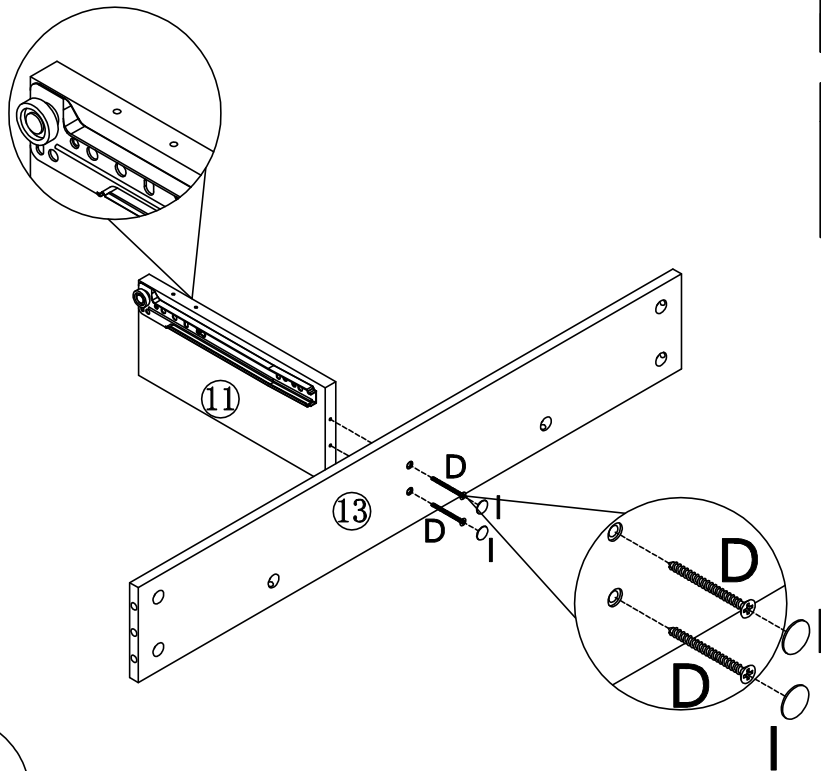
CR	x 1
	



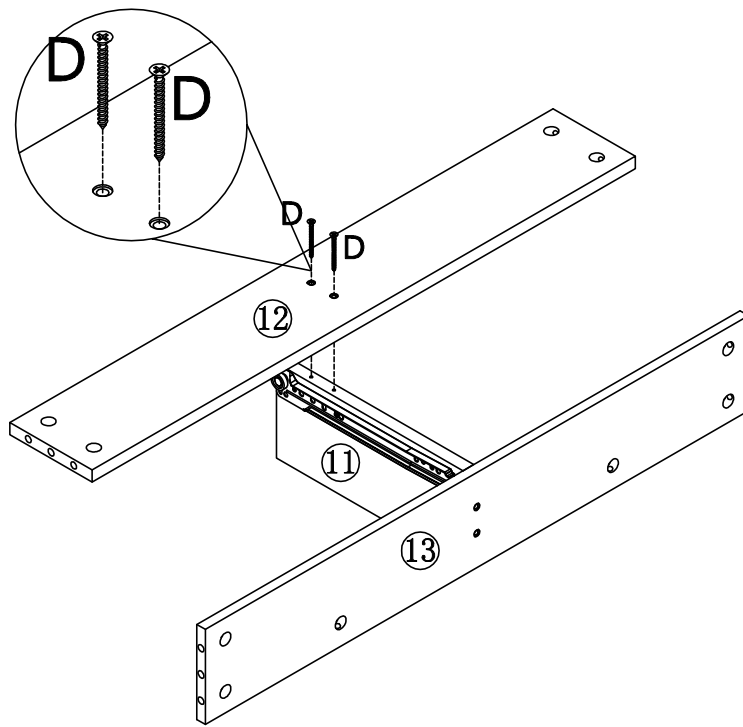
# Step 2

D	x 2
	

I	x 2
	



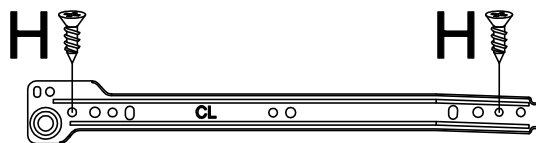
# Step 3



D	x 2

# Step 4

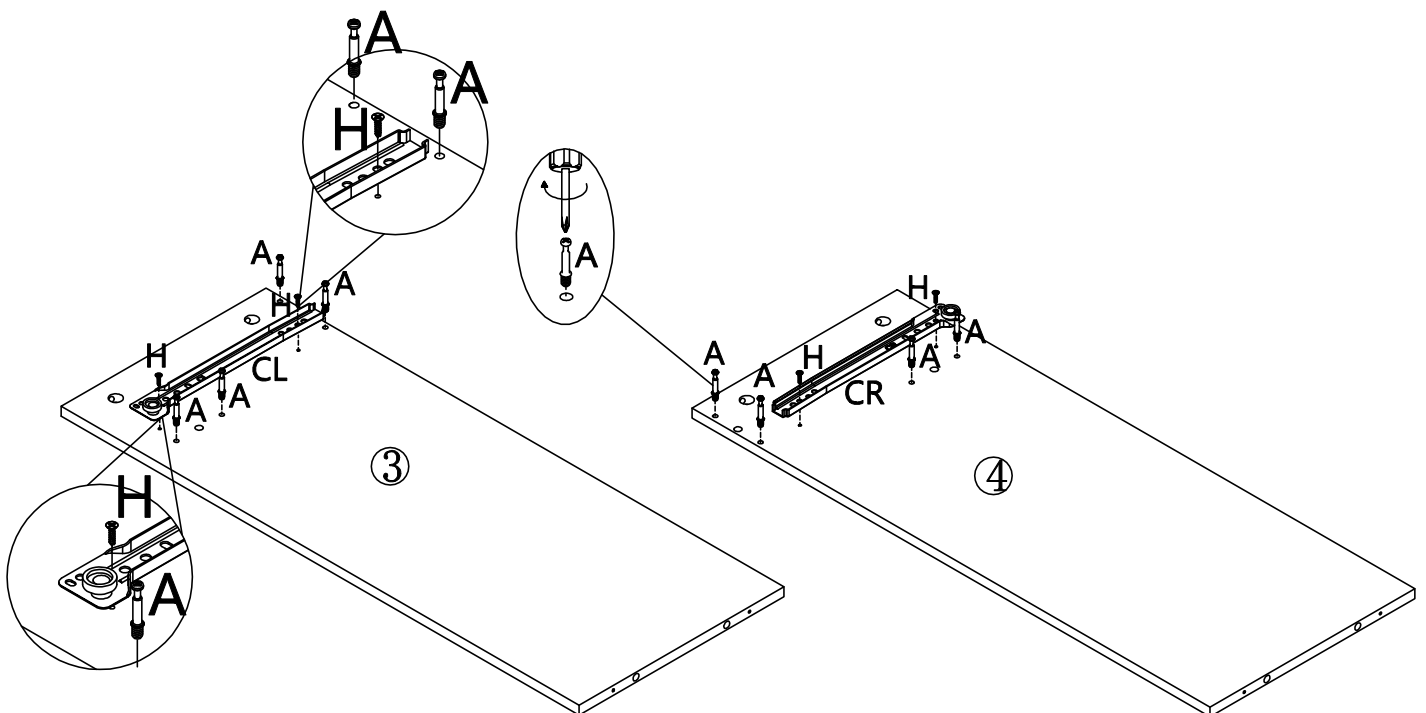
A	x 8	H	x 4	CL	x 1	CR	x 1



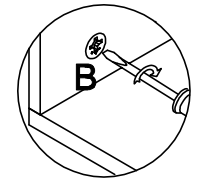
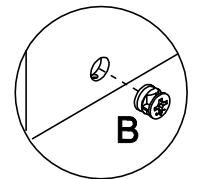
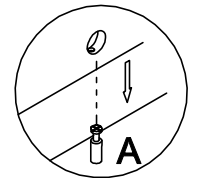
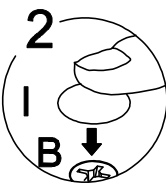
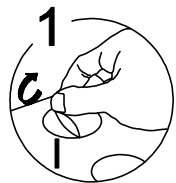
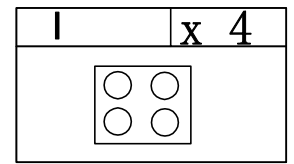
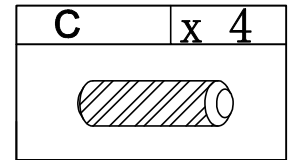
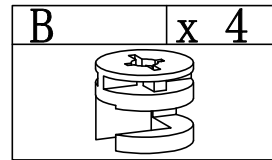
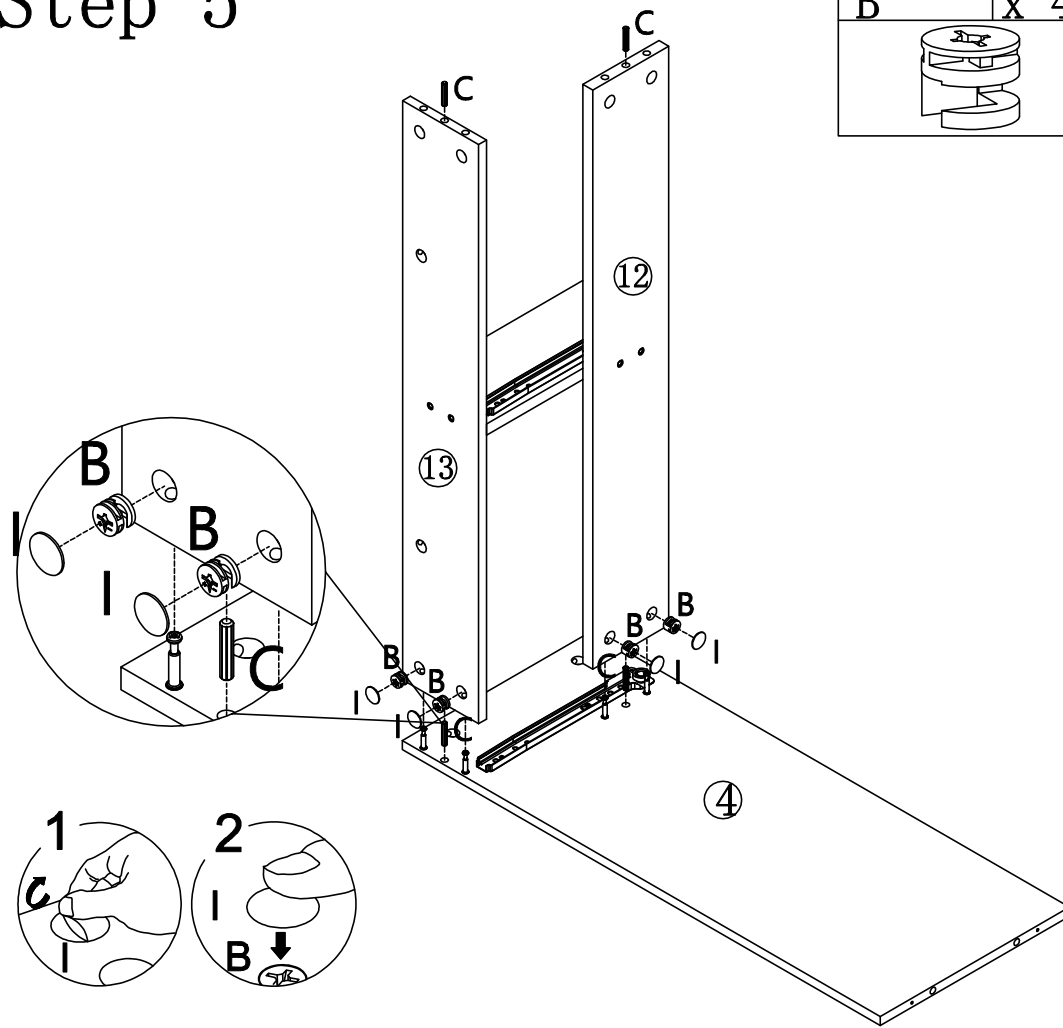
CL



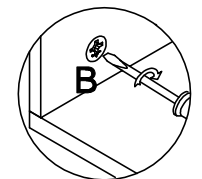
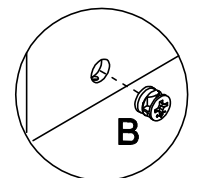
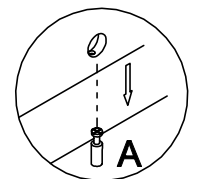
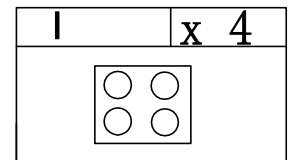
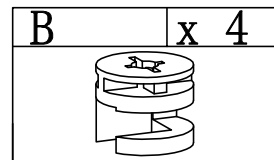
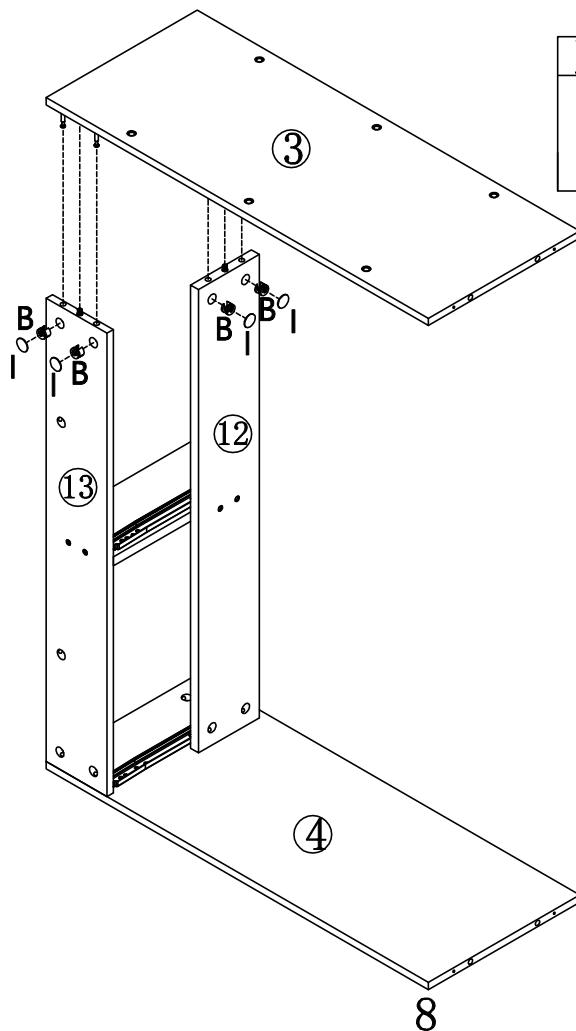
CR



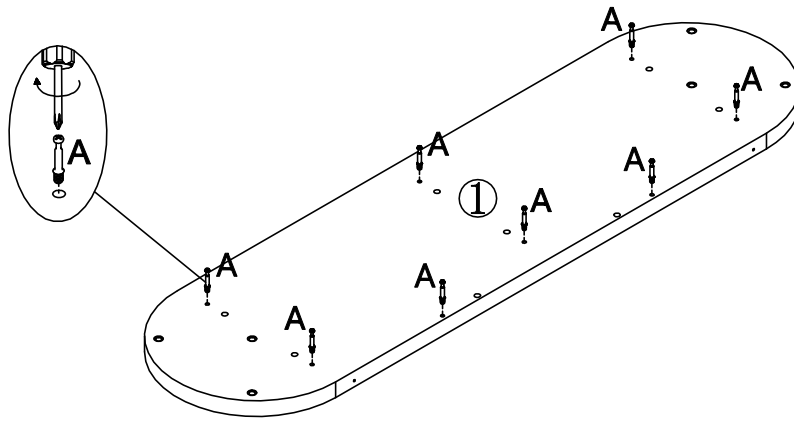
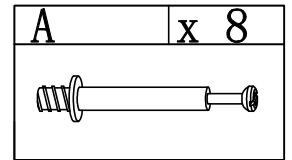
# Step 5



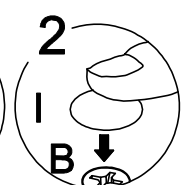
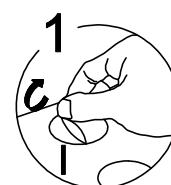
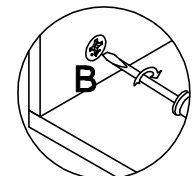
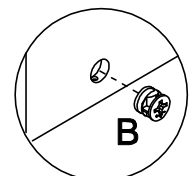
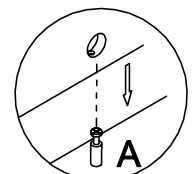
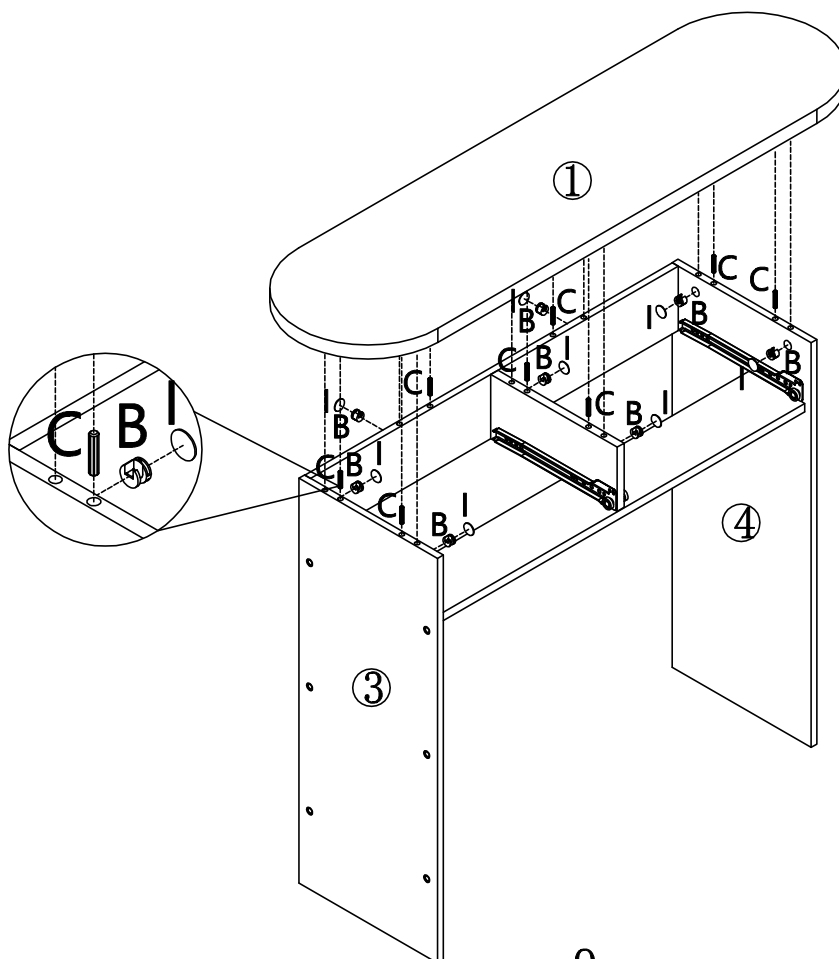
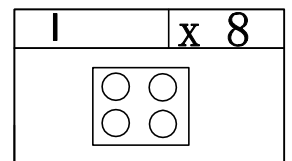
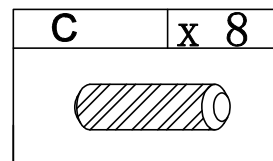
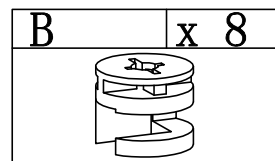
# Step 6



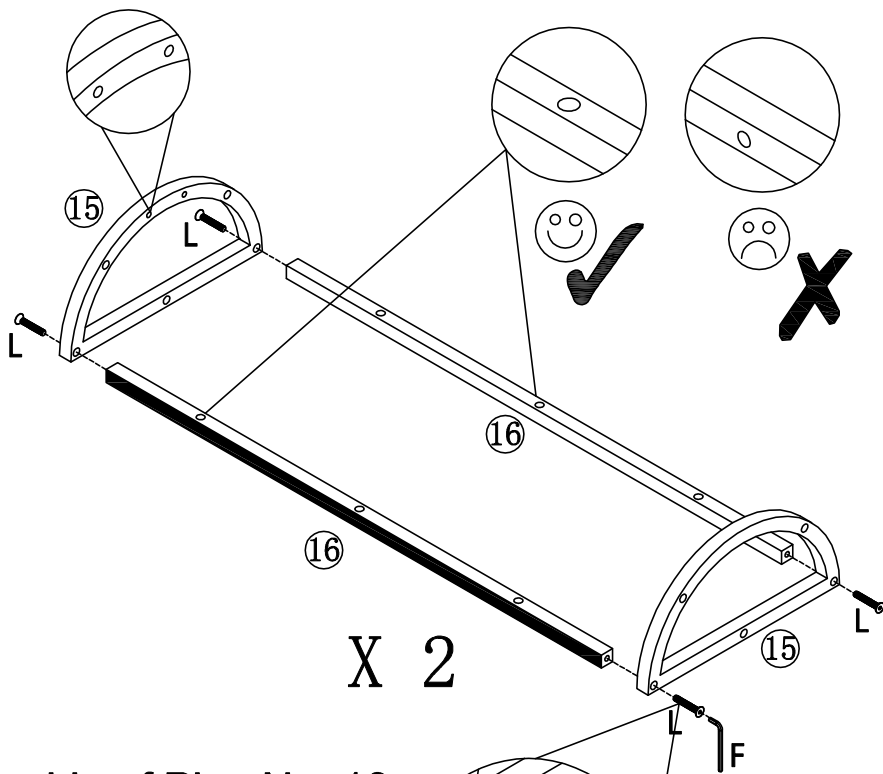
# Step 7



# Step 8



# Step 9

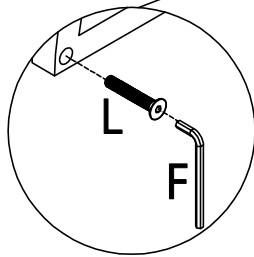


L	x 8

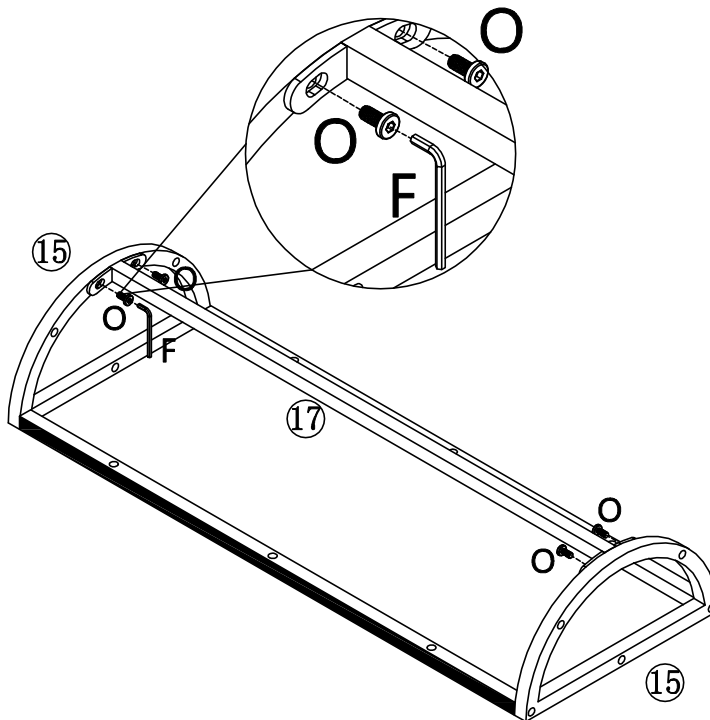
F	x 1



The side of Pipe No. 16 with felt cloth attached should face outward



# Step 10



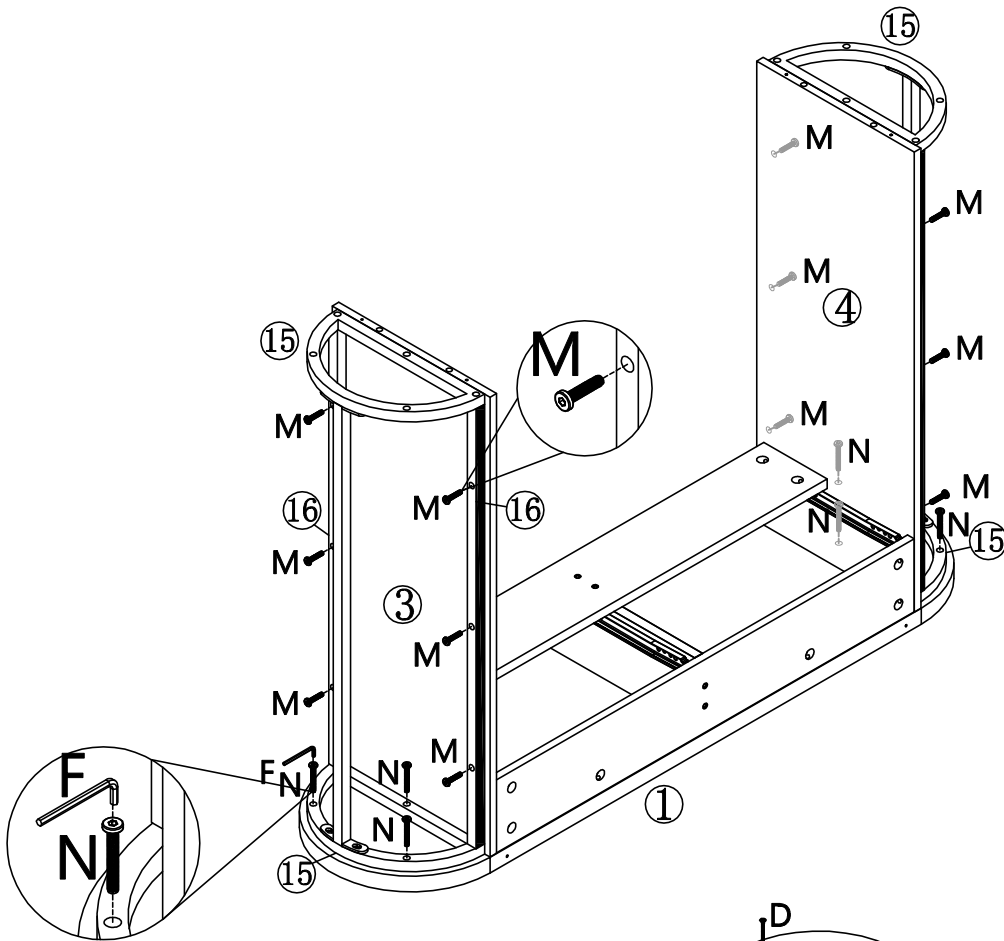
O	x 8


F	x 1




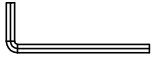
X 2

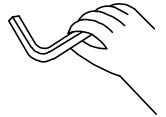
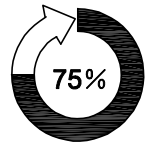
# Step 11



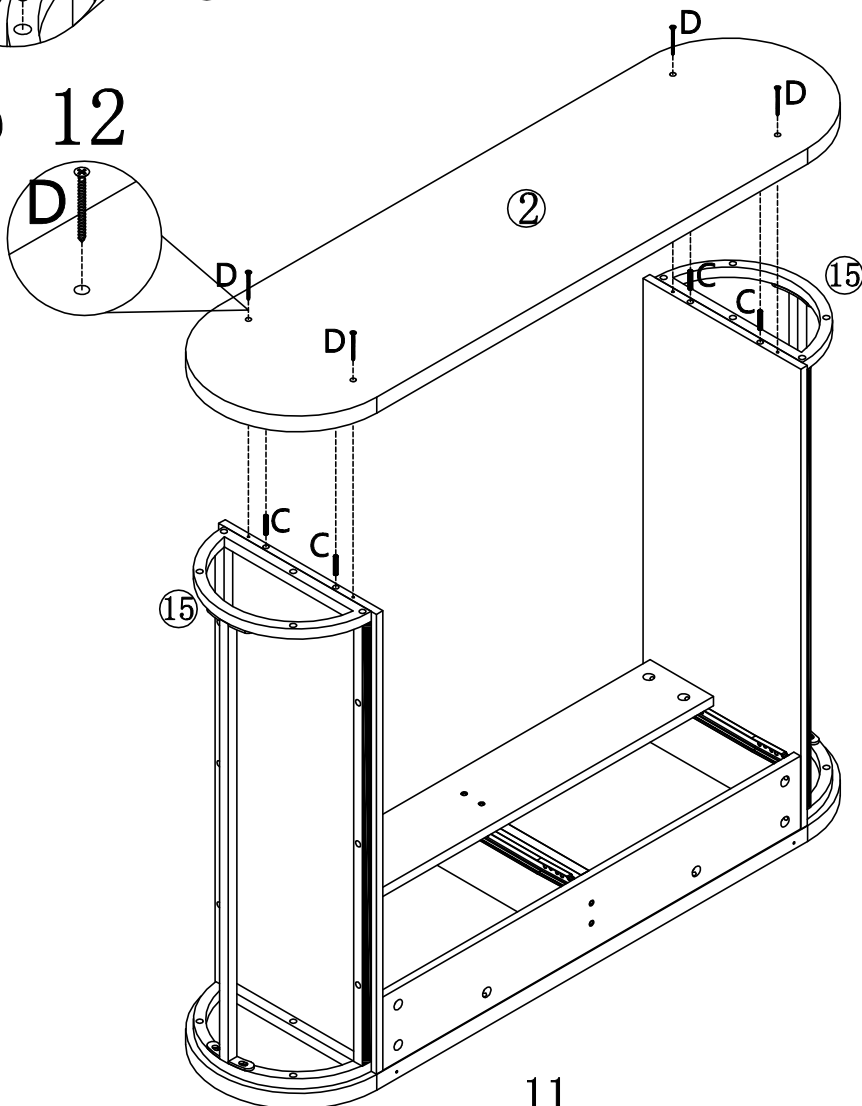
M	x 12
	

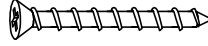
N	x 6
	

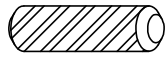
F	x 1
	



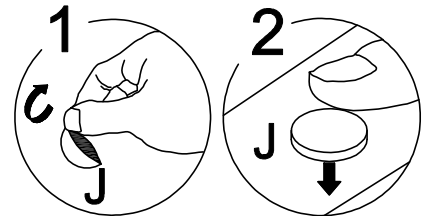
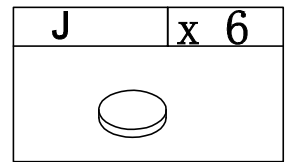
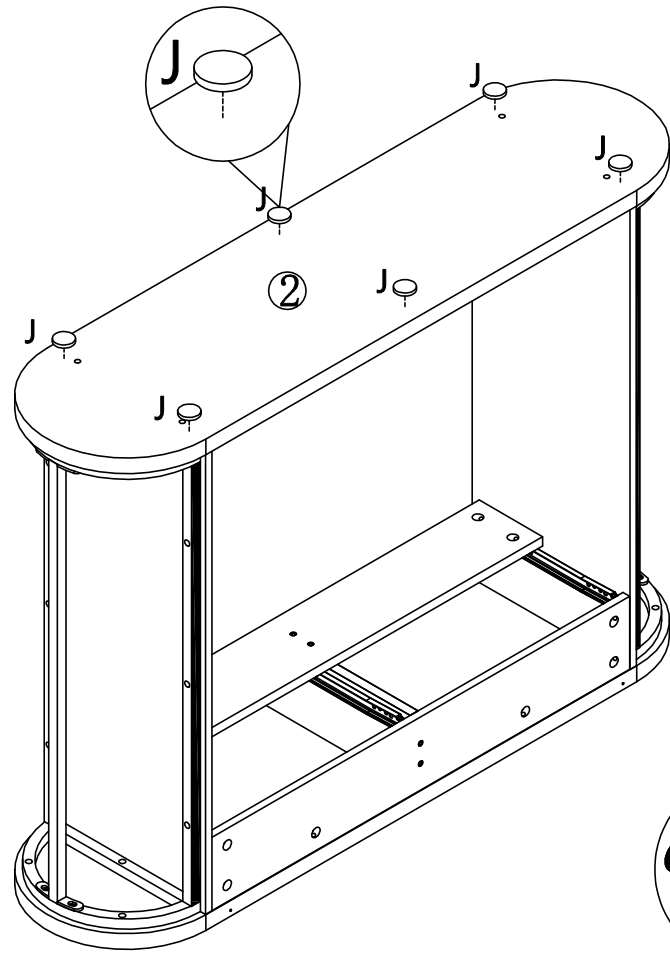
# Step 12



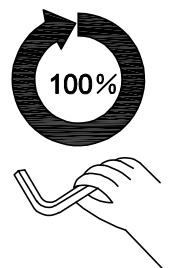
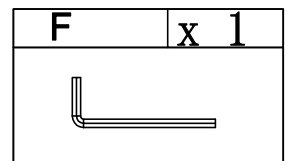
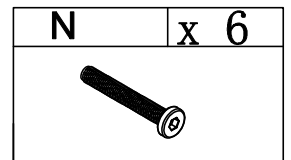
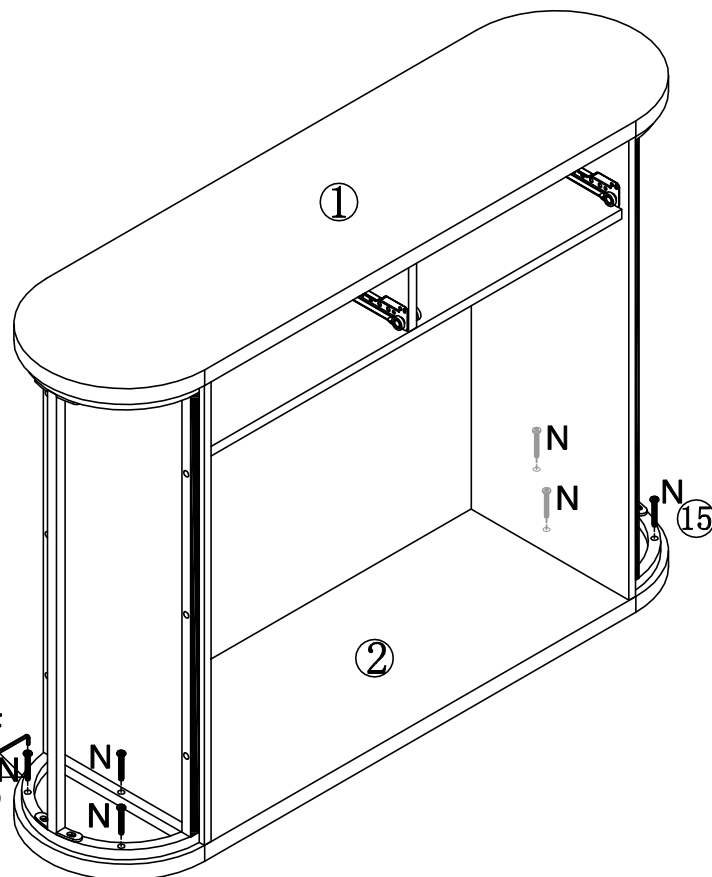
D	x 4
	

C	x 4
	

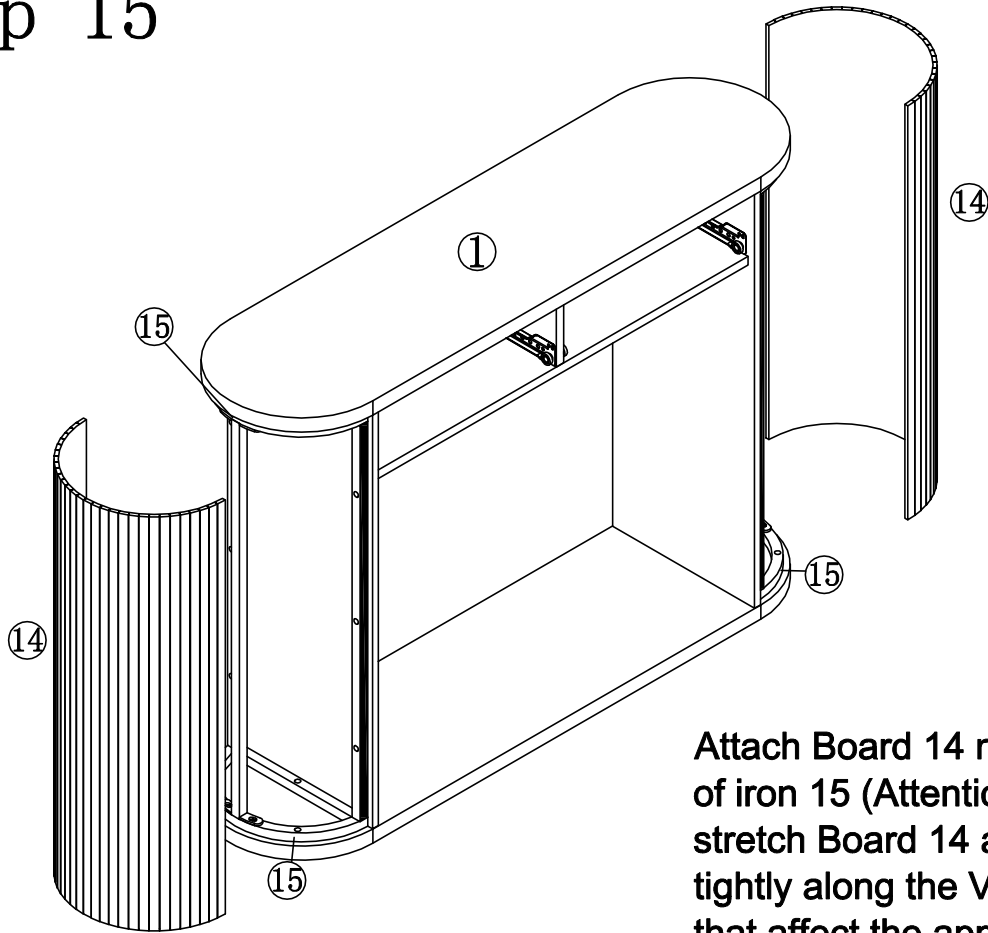
# Step 13



# Step 14

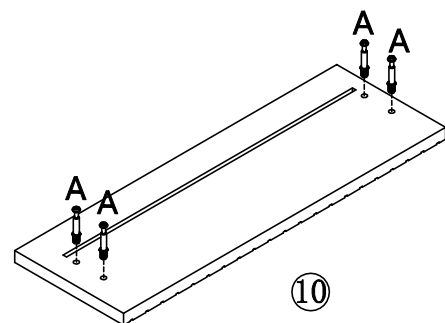
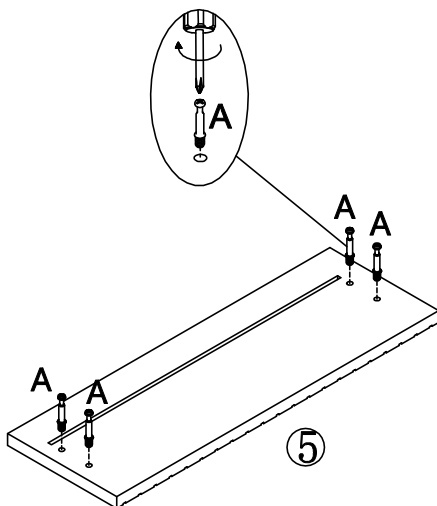
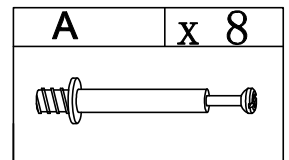


# Step 15

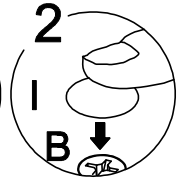
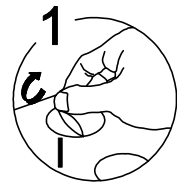
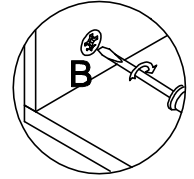
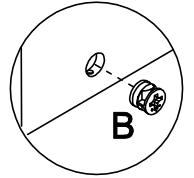
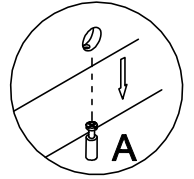
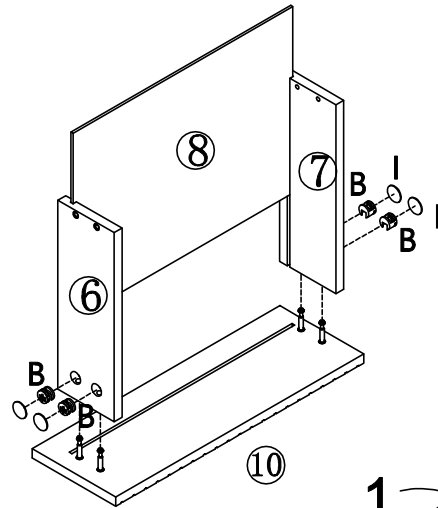
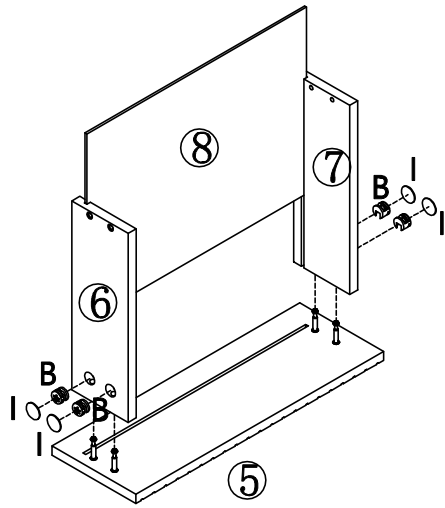
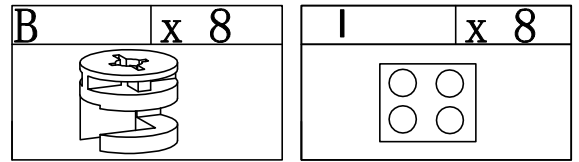


Attach Board 14 neatly to the Velcro of iron 15 (Attention: Please fully stretch Board 14 and then stick it tightly along the Velcro to avoid gaps that affect the appearance. If there are obvious gaps, tear them off and stick them again.)

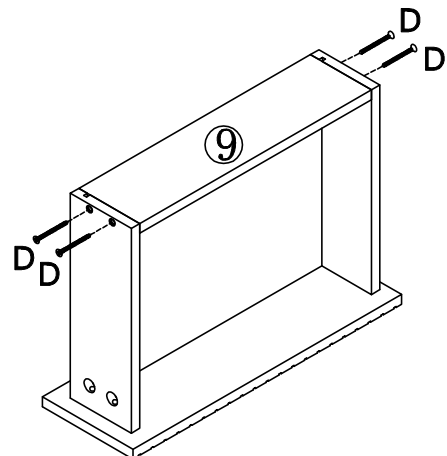
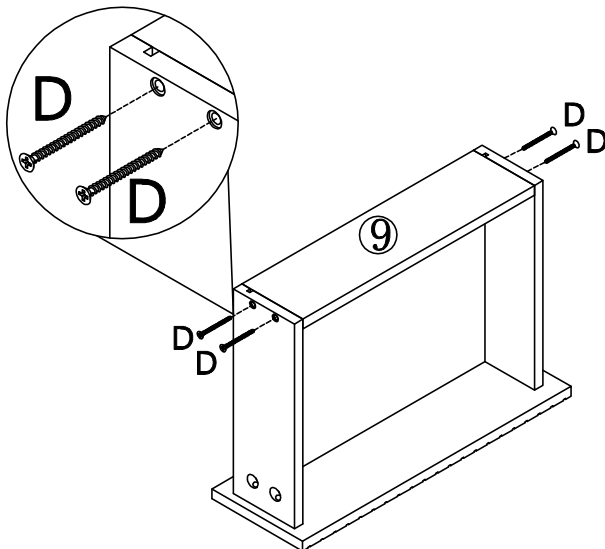
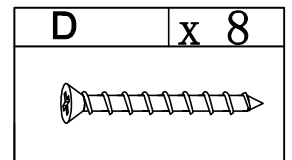
# Step 16




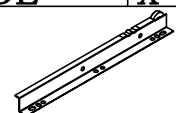
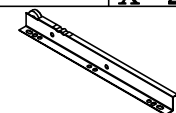
# Step 17



# Step 18



# Step 19

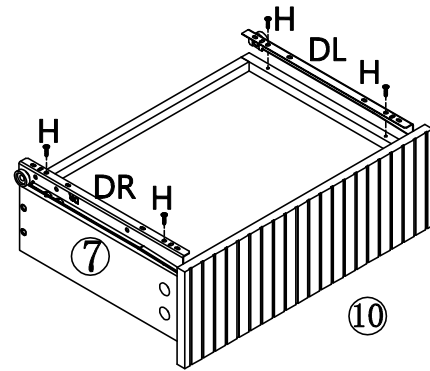
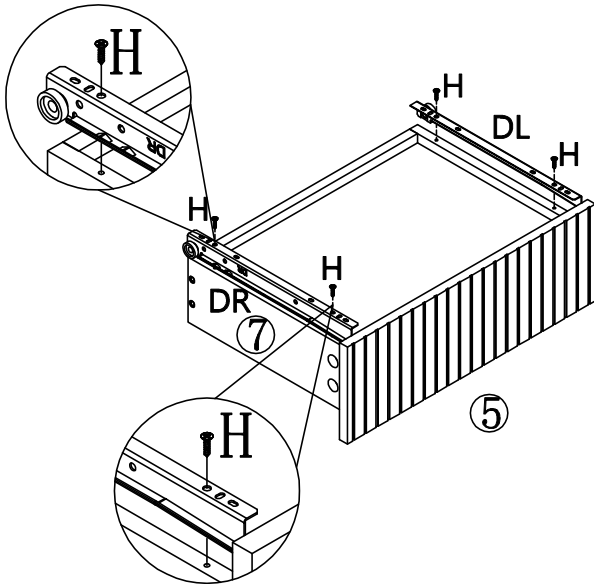
H	x 8	DL	x 2	DR	x 2
					



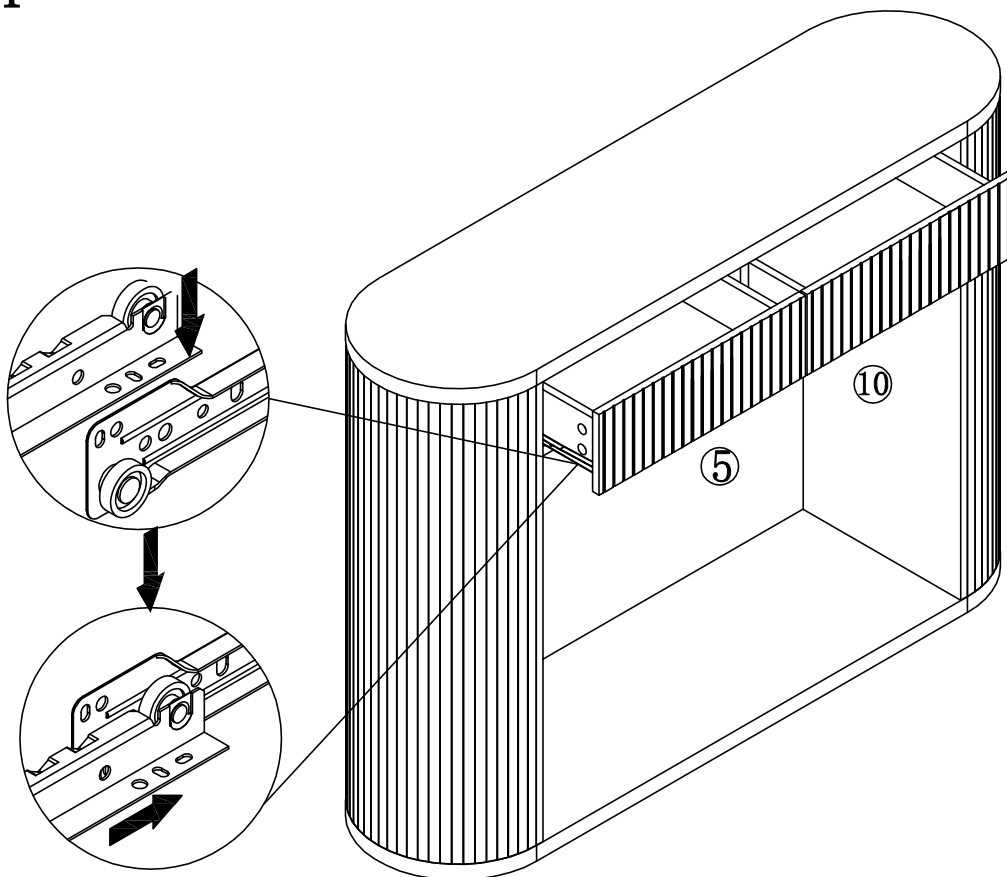
DL



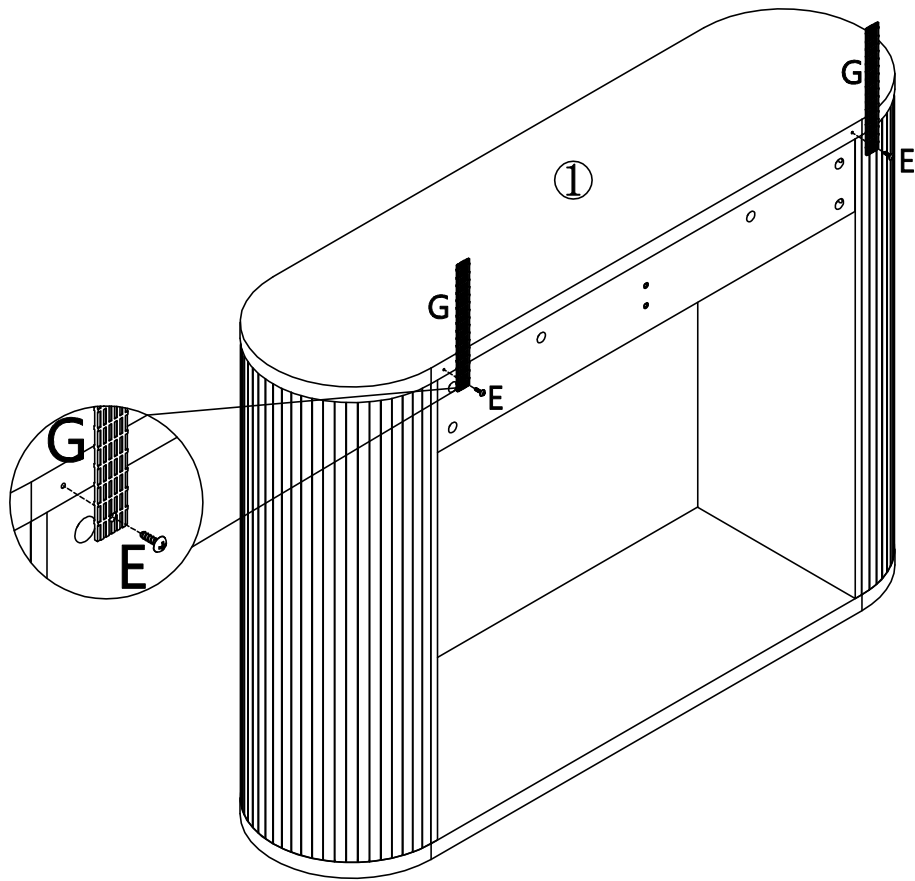
DR


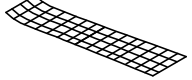


# Step 20

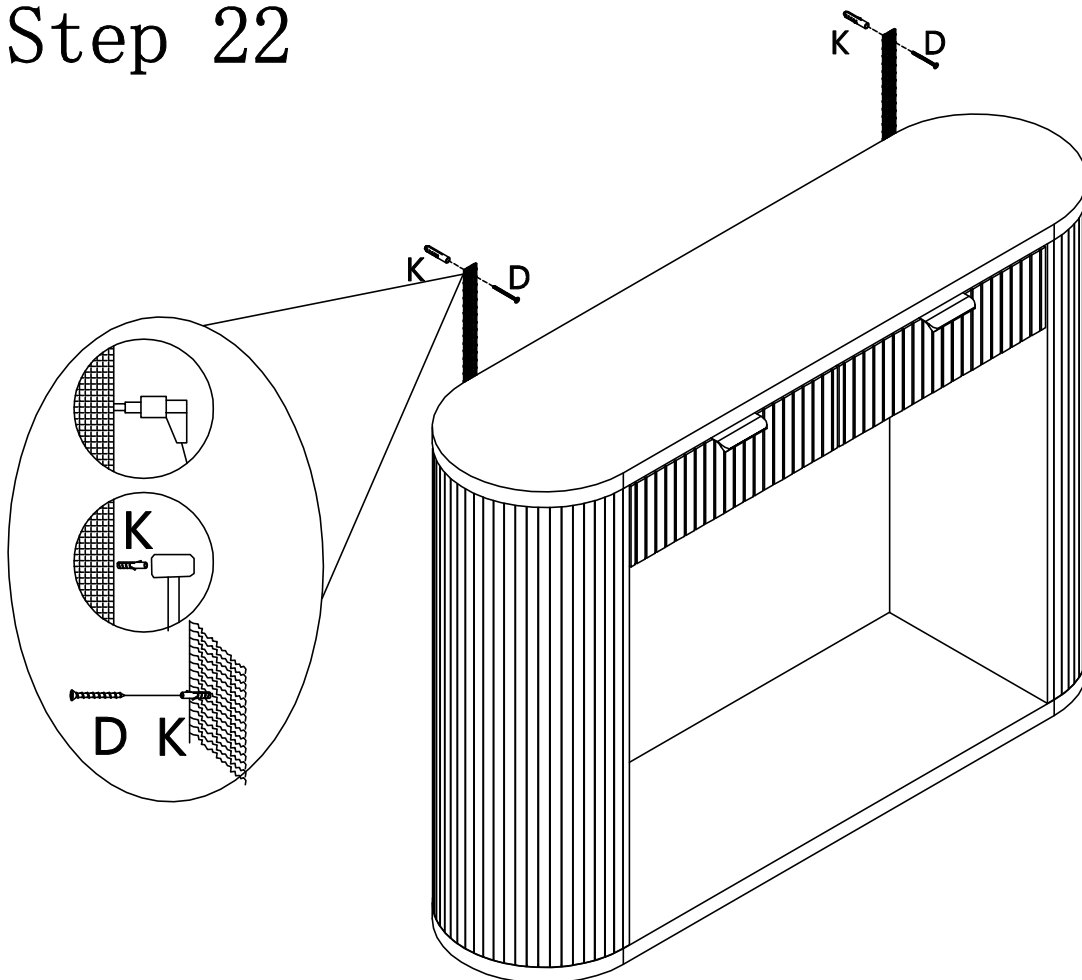


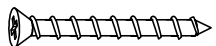
# Step 21



E	x 2
	
G	x 2
	

# Step 22



D	x 2
	
K	x 2
