

KEA-18802

Double Hook

Towel Ring Dimensions

Overall Dimensions: 3 5/8" x 2 1/8" x 2"

Features

- Solid Brass Construction
- Sleek Design Coordinates w/ a Variety of Decor Styles
- Easy-to-Clean Finish is Corrosion & Rust-Resistant
- All Mounting Hardware Included for Easy Installation
- Holds up to 11 lbs (5 kg)

Available Finishes

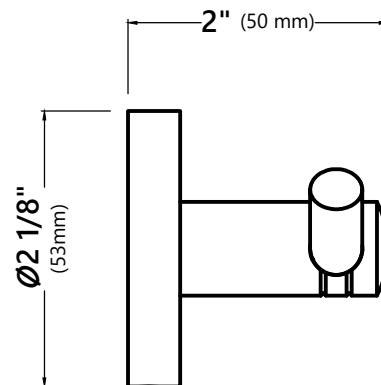
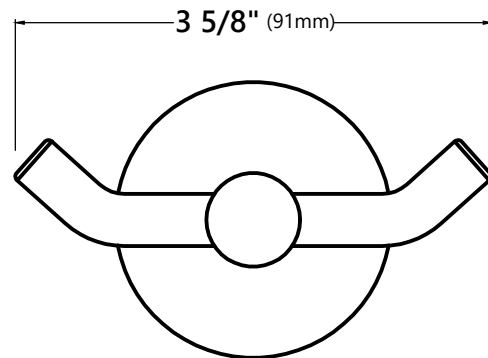
- Chrome
- Brushed Nickel
- Matte Black



Warranty

Kraus 1 Year Limited Warranty

see website for details www.kraususa.com



KEA-18825

Towel Ring

Towel Ring Dimensions

Overall Dimensions: 8" x 5 3/8" x 2 3/4"

Features

- Solid Brass Construction
- Sleek Design Coordinates w/ a Variety of Decor Styles
- Easy-to-Clean Finish is Corrosion & Rust-Resistant
- All Mounting Hardware Included for Easy Installation
- Holds up to 11 lbs (5 kg)

Available Finishes

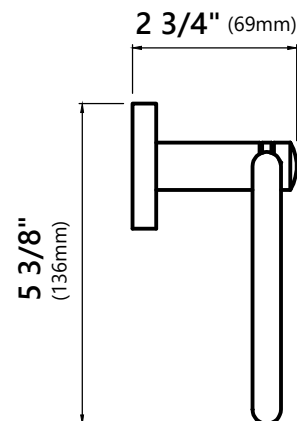
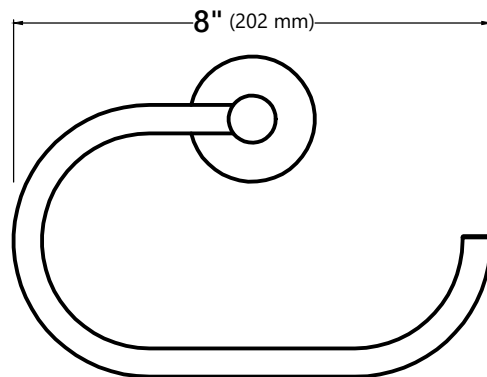
- Chrome
- Brushed Nickel
- Matte Black



Warranty

Kraus 1 Year Limited Warranty

see website for details www.kraususa.com



KEA-18829 Tissue Holder

Towel Ring Dimensions

Overall Dimensions: 6 3/4" x 2 7/8" x 2 1/8"

Features

- Solid Brass Construction
- Sleek Design Coordinates w/ a Variety of Decor Styles
- Easy-to-Clean Finish is Corrosion & Rust-Resistant
- All Mounting Hardware Included for Easy Installation
- Holds up to 11 lbs (5 kg)

Available Finishes

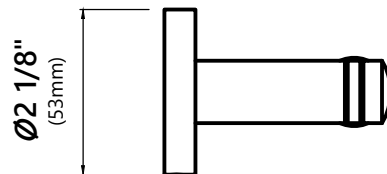
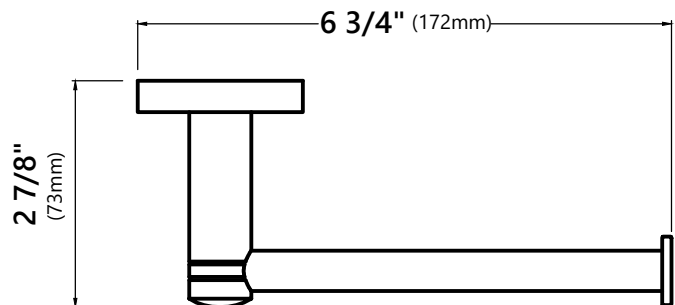
- Chrome
- Brushed Nickel
- Matte Black



Warranty

Kraus 1 Year Limited Warranty

see website for details www.kraususa.com



KEA-18837

Towel Bar

Towel Ring Dimensions

Overall Dimensions: 25 3/4" x 2 1/8" x 2 7/8"

Features

- Solid Brass Construction
- Sleek Design Coordinates w/ a Variety of Decor Styles
- Easy-to-Clean Finish is Corrosion & Rust-Resistant
- All Mounting Hardware Included for Easy Installation
- Holds up to 22 lbs (10 kg)

Available Finishes

- Chrome
- Brushed Nickel
- Matte Black



Warranty

Kraus 1 Year Limited Warranty

see website for details www.kraususa.com

