

+ Do Not Use
Power Tools



+ Suggested
Adults



NOTE: For questions about parts or assembly please email support@meridianfurnitureusa.com or call us at 718-758-4455.

1. Read instructions cover to cover.
2. Save all packaging until assembly is completed.

1. IMPORTANT SAFETY INFORMATION

Do not assemble the product if any of the following parts arrived damaged

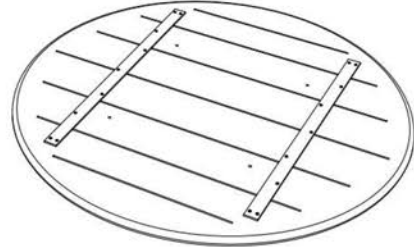
- Part # 1 - Top
- Part # 2 - Base

2. IMPORTANT ASSEMBLY INFORMATION

Assembly step : use bolt A,B to connect Part 1 to Part 2 .

***Warning :** Do not over tighten screws, or it could damage the Table Top.

+Parts Included



X-01



X-01

+ Hardware Included

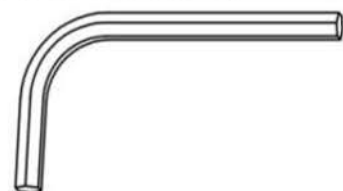
A. Washer 20 x 8 (4 Pcs)



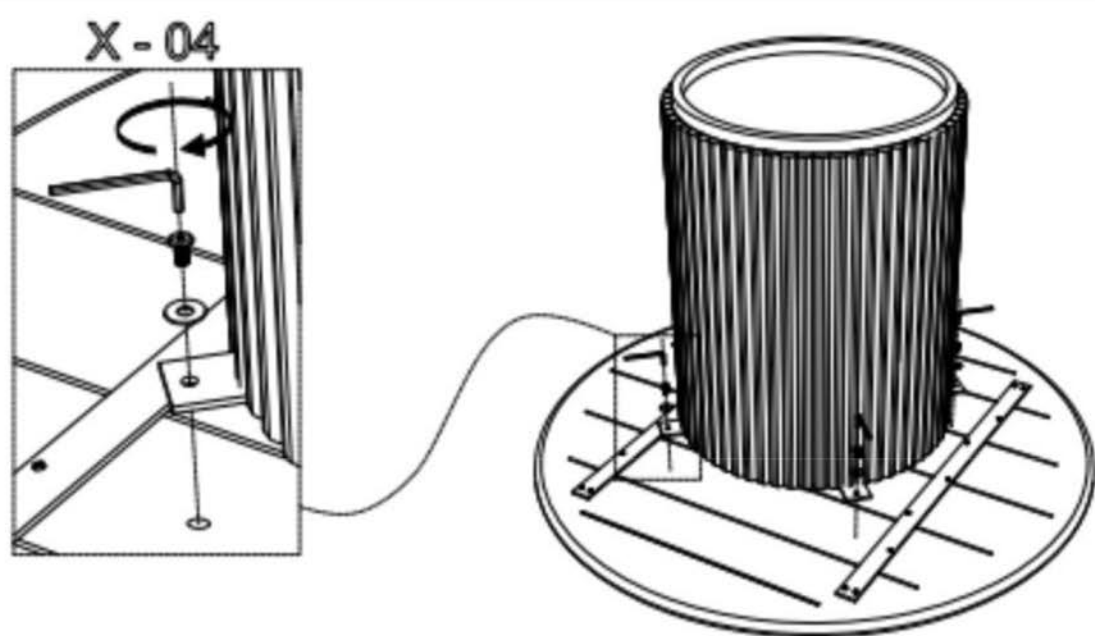
B. Allen bolt 25 x 8 (4 Pcs)



C . Allen KEY 5MM (1Pcs)



STEP - 01



Final - 02

