

# ASSEMBLY INSTRUCTION

Thank you for purchasing this quality product. Be sure to check all packing material carefully for small parts which may have come loose inside the carton during shipment. Separate, identify and count all parts and hardware. Compare with the parts list to be sure all parts are present.

**IMPORTANT : PLEASE READ INSTRUCTION BEFORE STARTING THE ASSEMBLY.**

**"DO NOT TIGHTEN SCREWS UNTIL COMPLETELY ASSEMBLED"**

**"DO NOT OVERTIGHT ANY HARDWARE"**

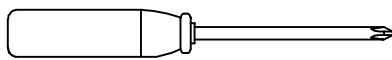
**WARNING : SMALL PARTS AND HARDWARE NOT FOR CHILDREN UNDER 3 YEARS. ADULT ASSEMBLY REQUIRED.**

## TABLE OF CONTENTS

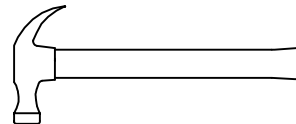
HARDWARES LIST	PAGE 2
PARTS LIST	PAGE 3 - 4
PARTS' LOCATION	PAGE 5
ASSEMBLY STEPS	PAGE 6 - 9
ASSEMBLY COMPLETED	PAGE 9

## ASSEMBLY TOOLS REQUIRED

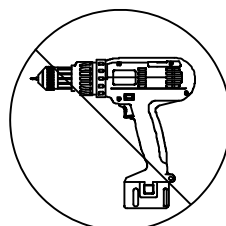
### 1. Screwdriver (not provide)



### 2. Hammer (not provide)

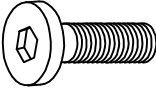
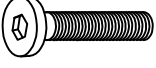
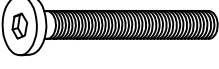

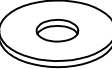





Skip the power trip this time.



# ASSEMBLY INSTRUCTION

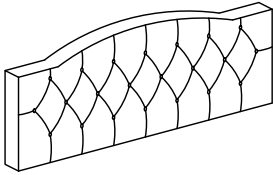


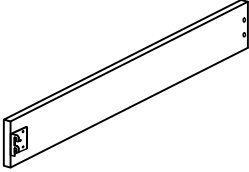
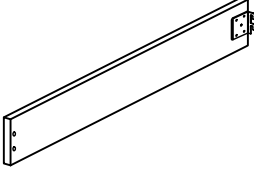
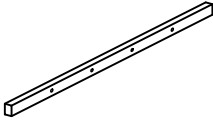

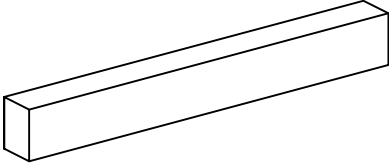

## HARDWARES LIST

ITEM	DESCRIPTION	DRAWING	QTY
A	JCBC SCREW M8 x 20MM		8 PCS
B	JCBC SCREW M6 x 35MM		24 PCS
C	JCBC SCREW M6 x 50MM		10 PCS
D	SPRING WASHER M6 x 12MM		30 PCS
E	FLAT WASHER M6 x 19MM		30 PCS
F	CSK C/B SCREW (M4 x 32MM)		8 PCS
G	M4 ALLEN KEY (65MM)		1 PC
H	M5 ALLEN KEY (65MM)		1 PC

MORE PARTS DETAIL IN NEXT PAGE...

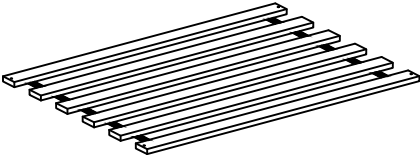
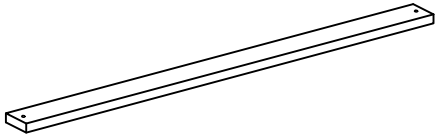

# ASSEMBLY INSTRUCTION

## PARTS LIST

ITEM	DESCRIPTION	DRAWING	QTY
1	HEADBOARD		1 PC
2	HEADBOARD LEG WITH LABEL "L"		1 PC
3	HEADBOARD LEG WITH LABEL "R"		1 PC
4	SIDE RAIL (L)		2 PCS
5	SIDE RAIL (R)		2 PCS
6	SIDE RAIL SUPPORT		4 PCS
7	SIDE RAIL LEG		2 PCS
8	FOOTBOARD		1 PC
9	FOOTBOARD LEG		2 PCS

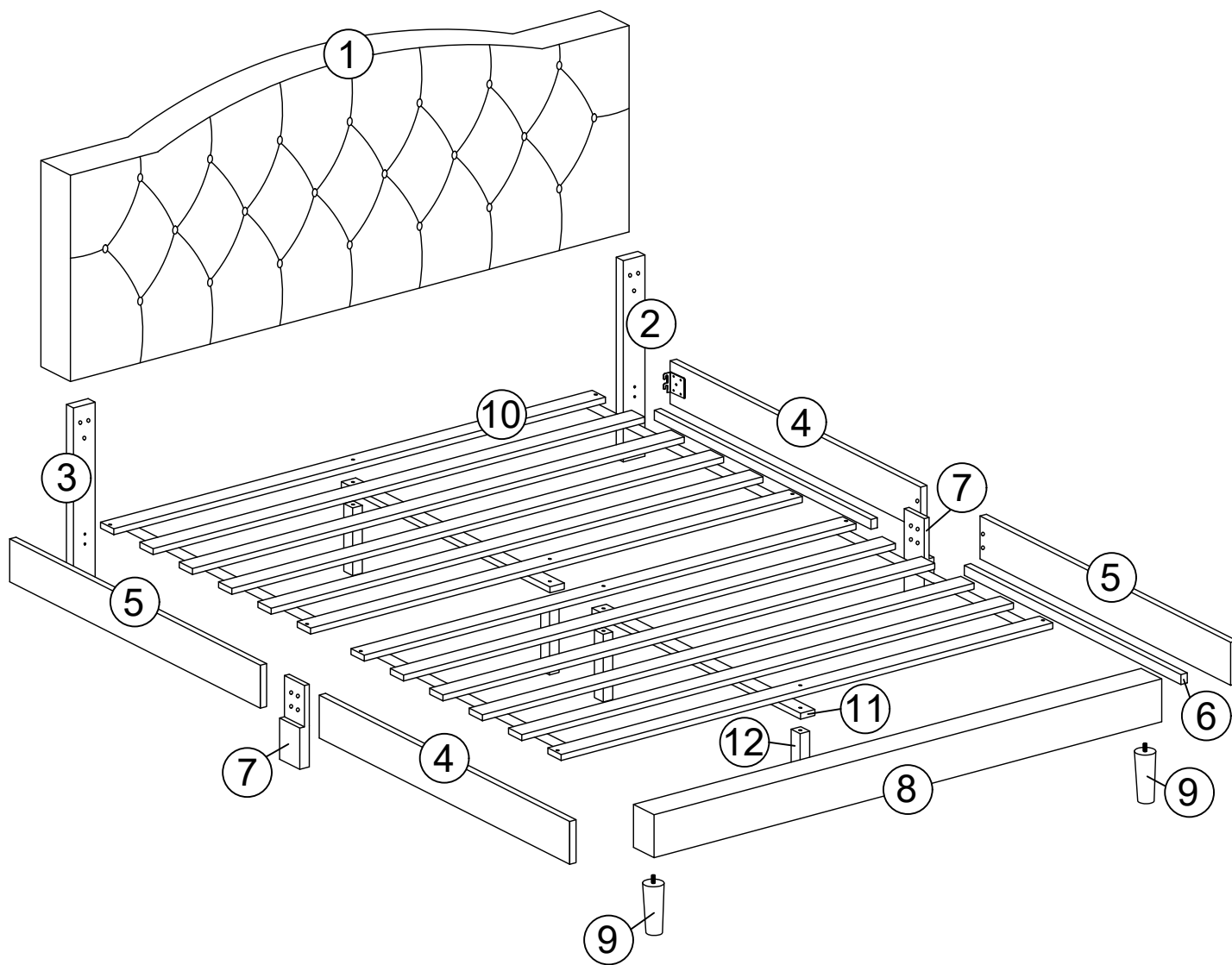
# ASSEMBLY INSTRUCTION

## PARTS LIST

ITEM	DESCRIPTION	DRAWING	QTY
10	SLAT		2 ROLL
11	CENTER SUPPORT		2 PCS
12	SUPPORT LEG		4 PCS

# ASSEMBLY INSTRUCTION

## PARTS ' LOCATION

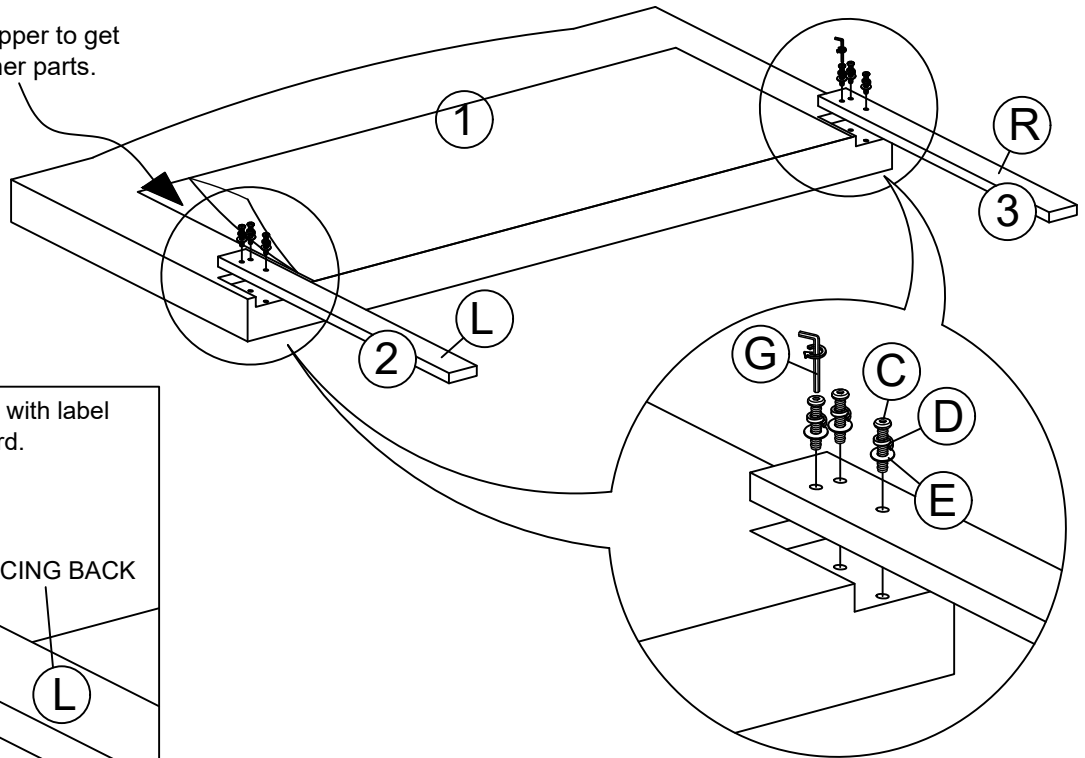


# ASSEMBLY INSTRUCTION

## STEP 1

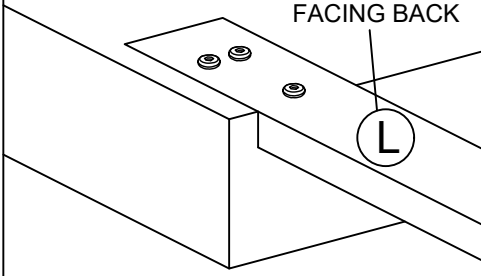
Insert 6pcs (C) , (D) and (E) to combine (2) and (3) to the (1) as shown.

Open zipper to get all other parts.



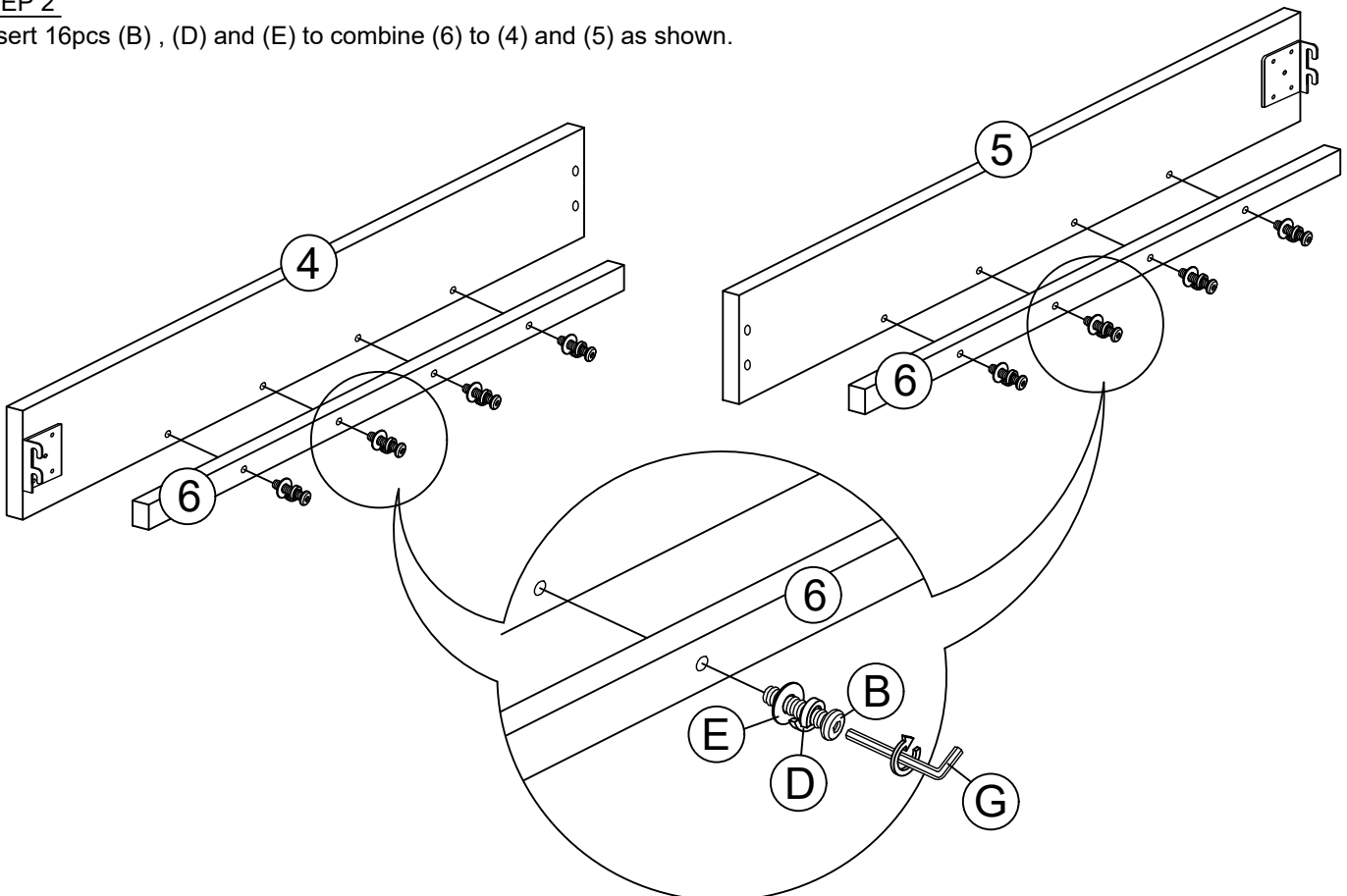
REMARK : Headboard leg with label facing backward.

FACING BACK



## STEP 2

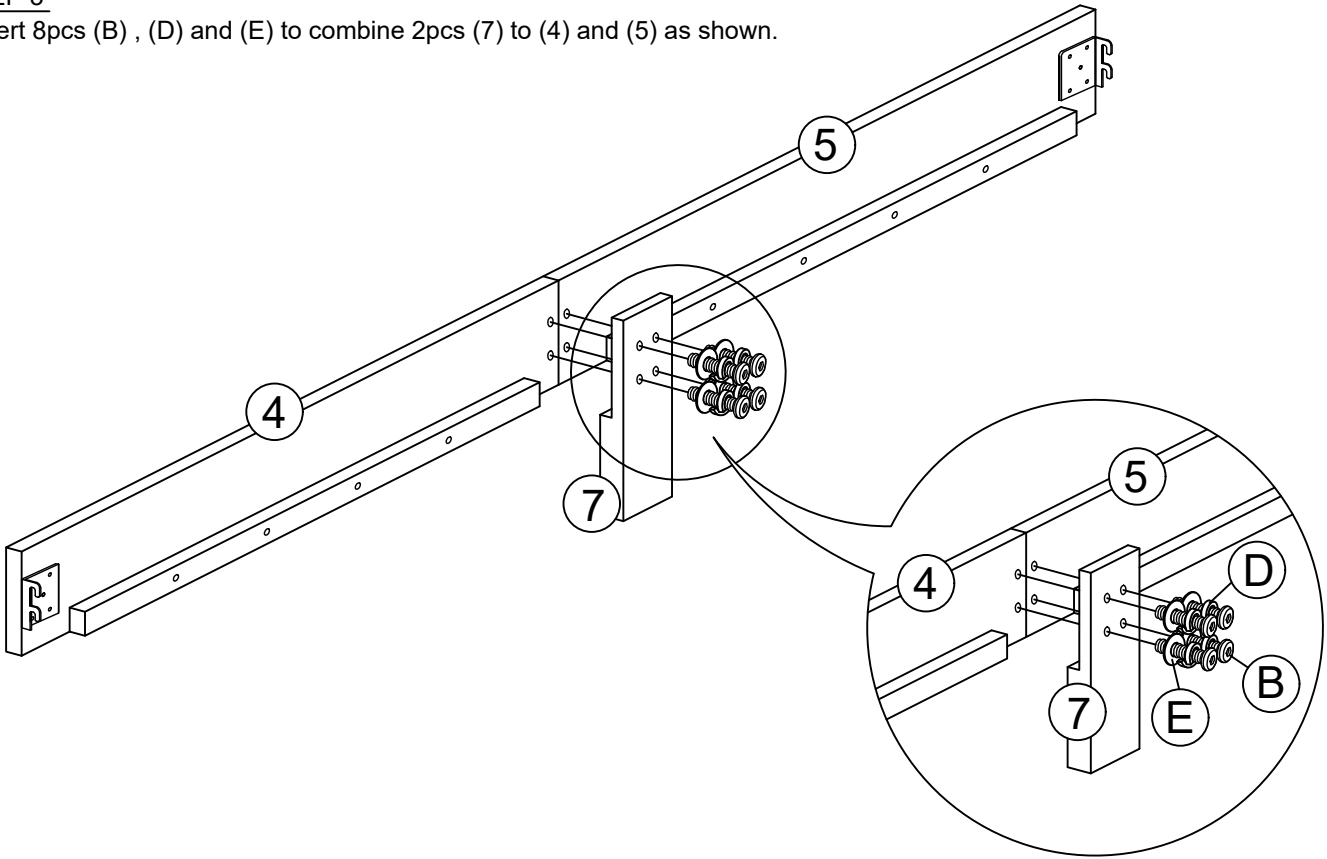
Insert 16pcs (B) , (D) and (E) to combine (6) to (4) and (5) as shown.



# ASSEMBLY INSTRUCTION

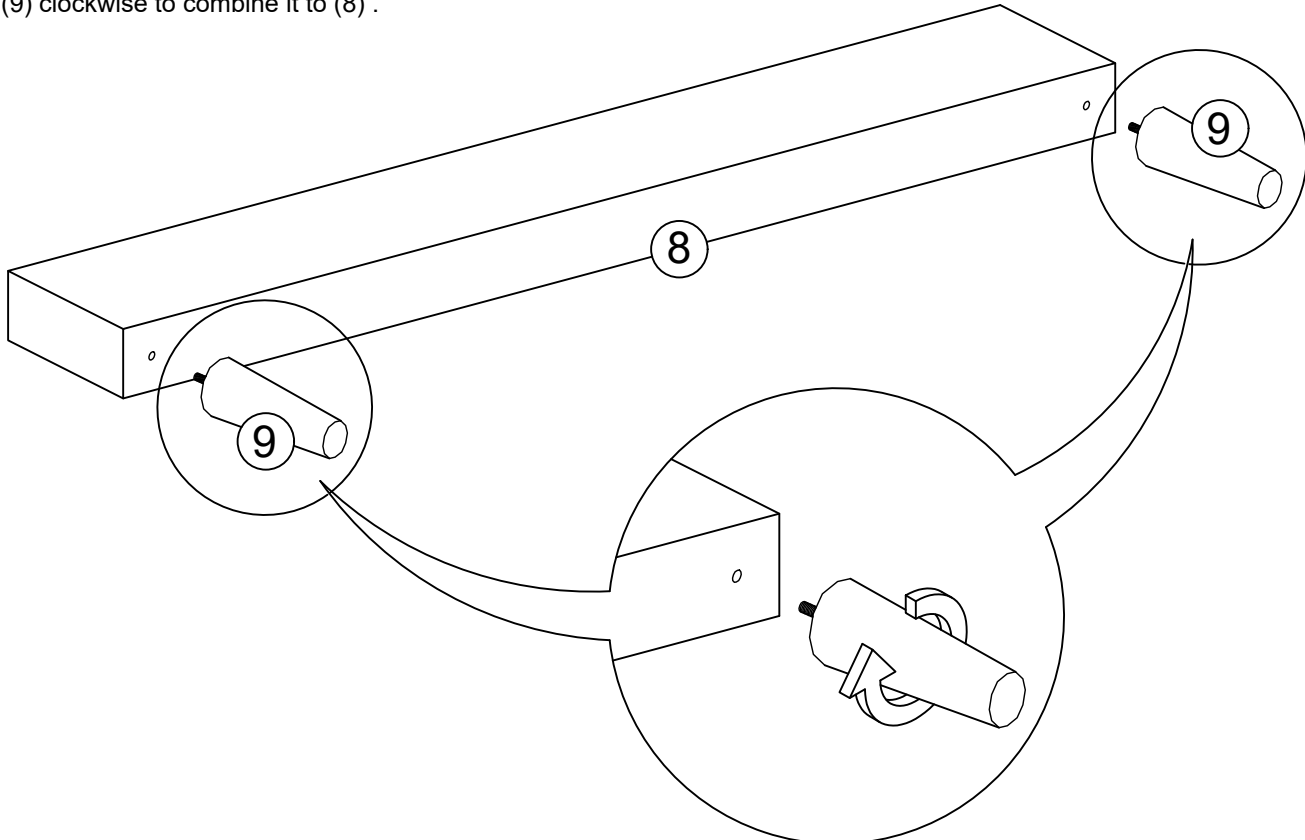
## STEP 3

Insert 8pcs (B) , (D) and (E) to combine 2pcs (7) to (4) and (5) as shown.



## STEP 4

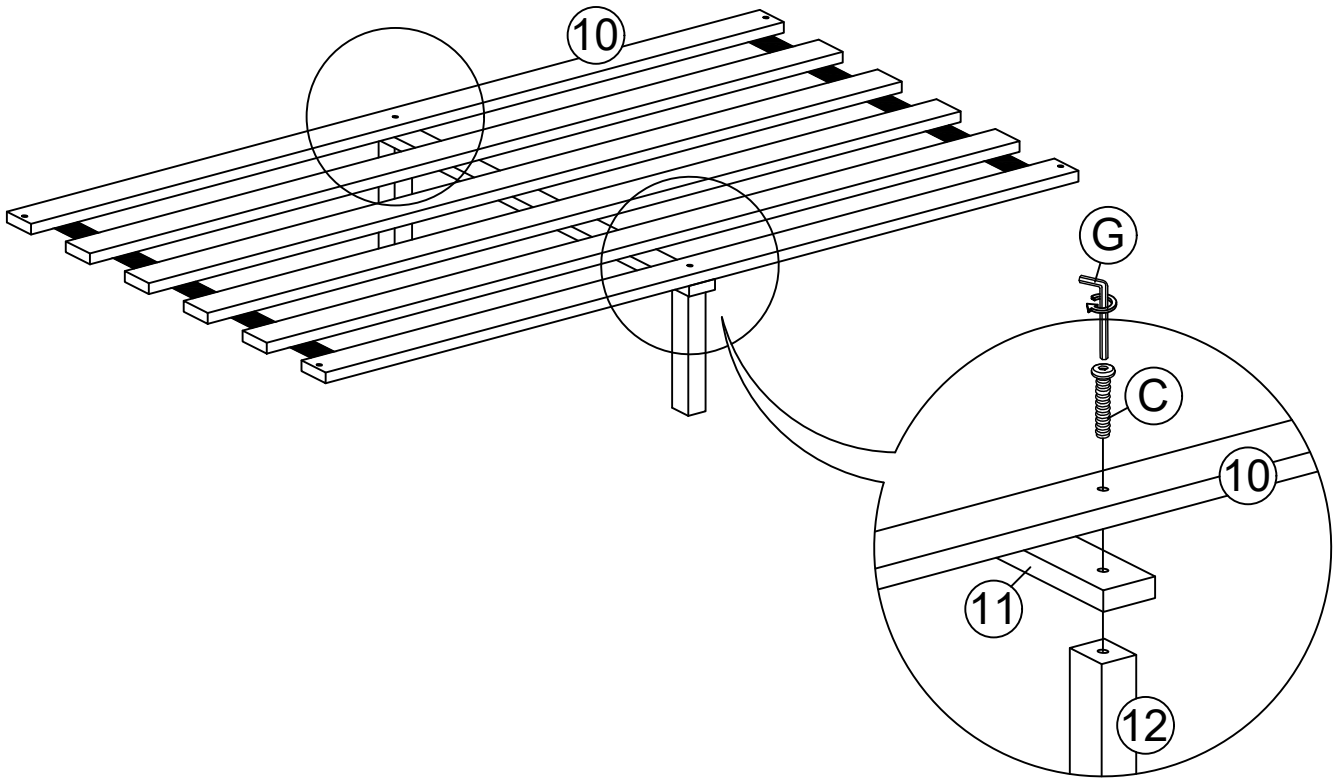
Turn (9) clockwise to combine it to (8) .



# ASSEMBLY INSTRUCTION

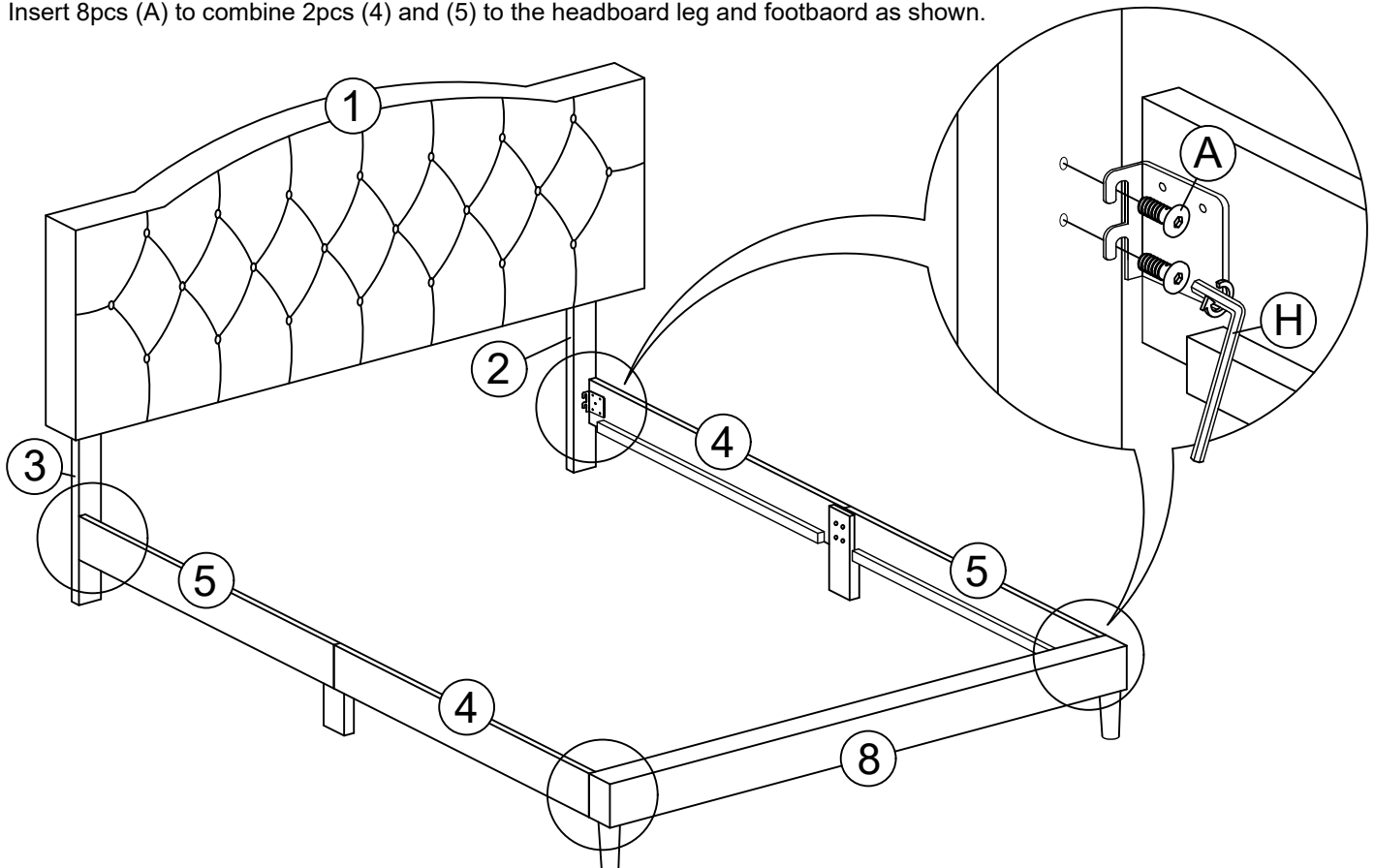
## STEP 5

Insert 4pcs (C) to combine (11) and (12) to the (10) as shown.



## STEP 6

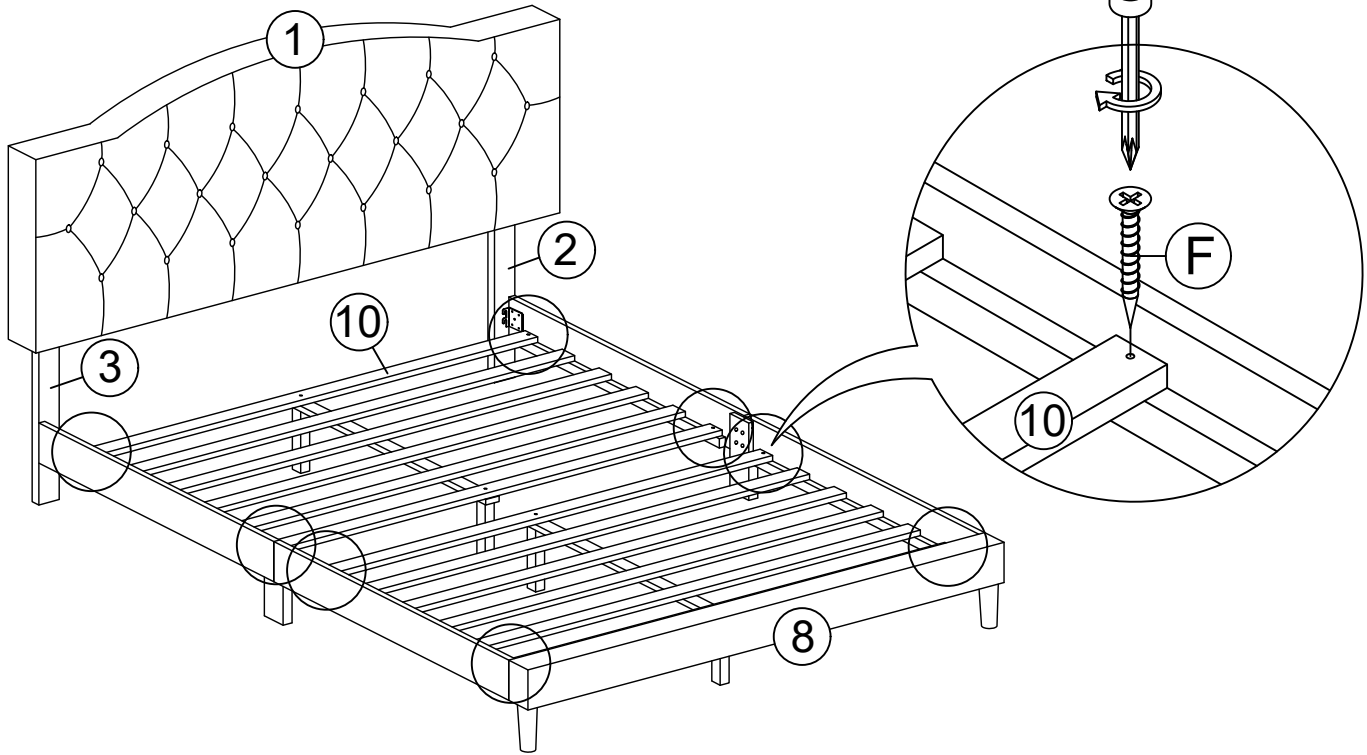
Insert 8pcs (A) to combine 2pcs (4) and (5) to the headboard leg and footboard as shown.



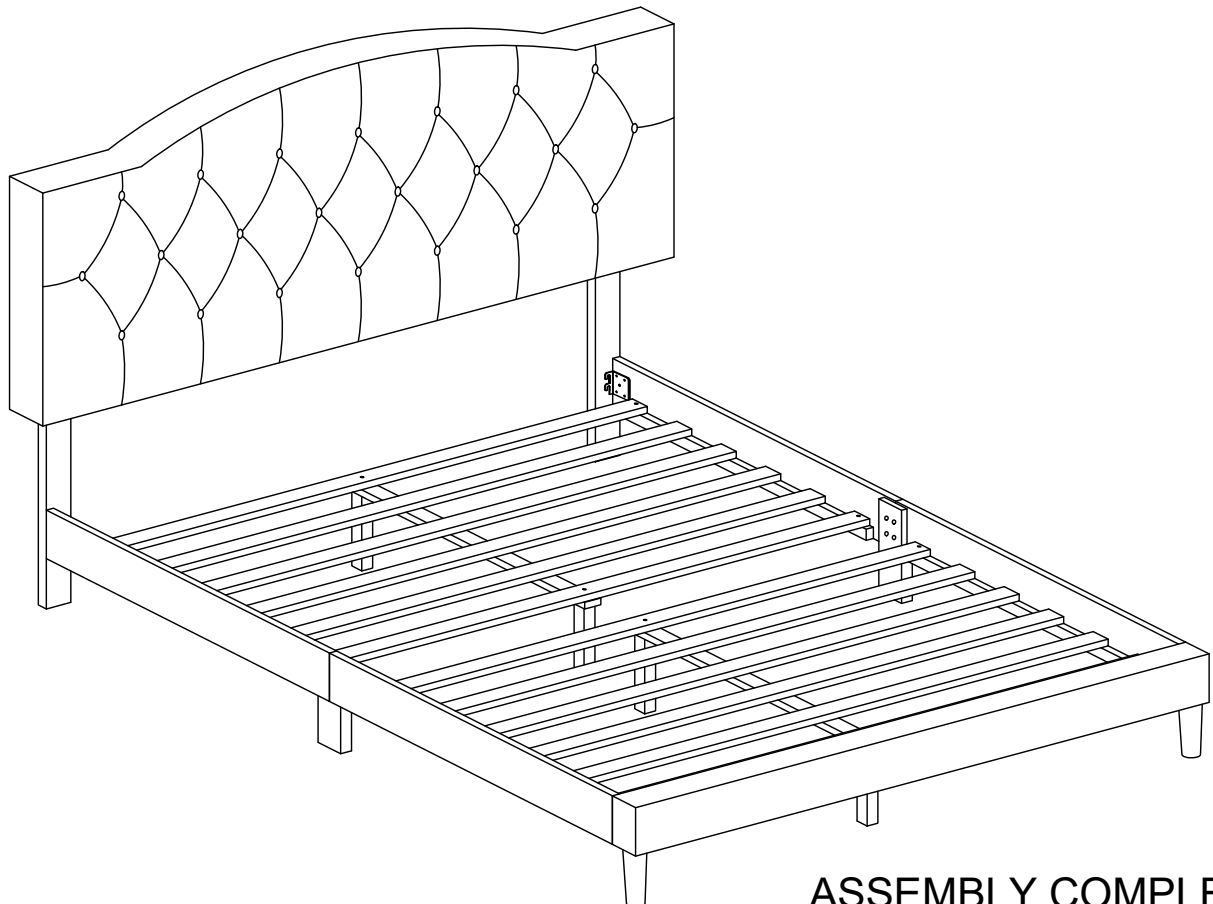
# ASSEMBLY INSTRUCTION

## STEP 7

Put the slat to the inside of bed frame , then insert 8pcs (F) to tighten the slat.



## STEP 8



**ASSEMBLY COMPLETED**