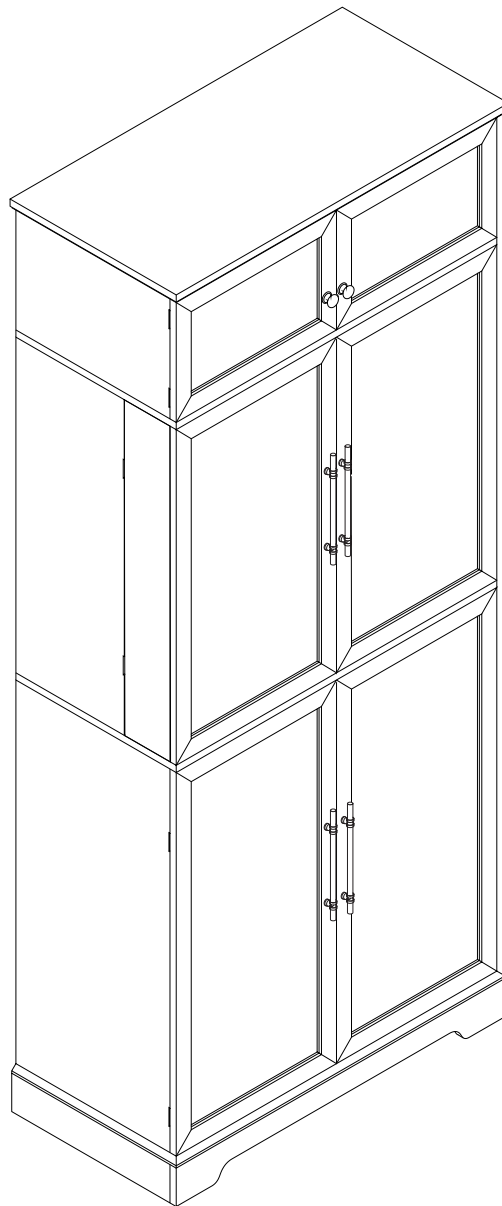


Kitchen Pantry Cabinet

Assembly Instructions - Please keep for future reference



Important – Please read these instructions fully before starting assembly



Safety and Care Advice

Important – Please read these instructions fully before starting assembly

- Check you have all the components and tools listed on the following pages.
- Remove all fittings from the plastic bags and separate them into their groups.
- Keep children and animals away from the work area, small parts could choke if swallowed.
- Make sure you have enough space to layout the parts before starting.

- During assembly do not stand or put weight on the product, this could cause damage.
- Assemble the item as close to its final position (in the same room) as possible.
- Assemble on a soft level surface to avoid damaging the unit or your floor.
- Parts of the assembly will be easier with 2 people.



power drill is set on a low torque setting.

- To reduce the likelihood of damaging your product please ensure that your

Care and maintenance

• Only clean using a damp cloth and mild detergent, do not use bleach or abrasive cleaners.

• From time to time check that there are no loose screws on this unit.

• This product should not be discarded with household waste. Take to your local authority waste disposal centre.

Handy Hints

• Assemble all parts and bolts loosely during assembly, only once the product is complete should you fully tighten the bolts

• Regularly check and ensure that all bolts and fittings are tightened properly.

WARNING
In order to help prevent overturning – please follow these instructions

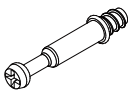


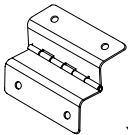

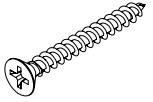

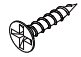

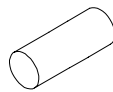
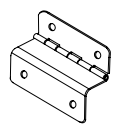
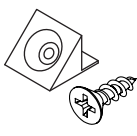

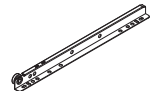
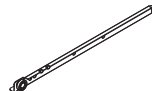
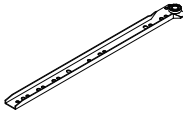
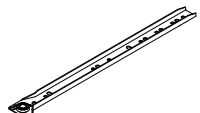

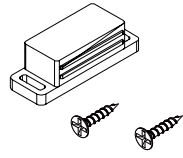
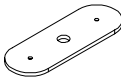
To help prevent product toppling over please follow the below steps:-

- Use the anti tip stap or wall fixing method provided (if applicable)
- Do not allow children to climb or hang on the furniture
- Do not open more than one drawer at a time
- Do not place heavy items in the top drawers
- Do not place heavy items on top of the furniture, unless the furniture has been designed for this purpose

Components - Fittings

Please check you have all the panels listed below

Note: The quantities below are the correct amount to complete the assembly. In some cases, more fittings may be supplied than required.

<p>(A)</p>  <p>Cam Bolt x 83</p>	<p>(B)</p>  <p>6*30mm Dowel x 68</p>	<p>(C)</p>  <p>Cam lock x 83</p>	<p>(D)</p>  <p>x4</p>
<p>(E)</p>  <p>Wooden Pad x 4</p>	<p>(F)</p>  <p>4*35mm Screw x 25</p>	<p>(G)</p>  <p>Round handle x2 screw 4x20mm</p>	<p>(H)</p>  <p>3*12mm Screw x 64</p>
<p>(I)</p>  <p>Anti-fall accessories x2</p>	<p>(J)</p>  <p>Shelf support pin x 24</p>	<p>(K)</p>  <p>x8</p>	<p>(L)</p>  <p>x20</p>
<p>(M)</p>  <p>Handle 300mm x 4 screw 4x20mm</p>	<p>(DR)</p>  <p>300mm runner x 1</p>	<p>(DL)</p>  <p>300mm runner x 1</p>	<p>(CR)</p>  <p>300mm runner x 1</p>
<p>(CL)</p>  <p>300mm runner x 1</p>	<p>(O)</p>  <p>Felt Pad x 8</p>	<p>(P)</p>  <p>x 4</p>	<p>(Q)</p>  <p>x6</p>

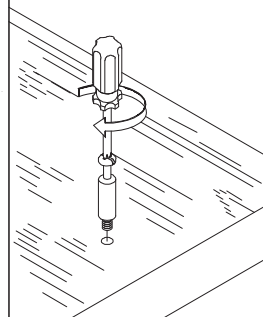
Using Camlocks

Step 1

Connect the male camlock as directed in the assembly instructions using a screwdriver.

1

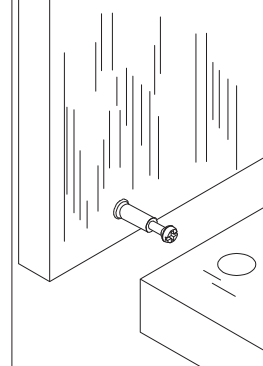
DO NOT OVER TIGHTEN.
NE PAS SERRER EXCESSIVEMENT.



Step 2

Push the male camlock into the entry hole.

2

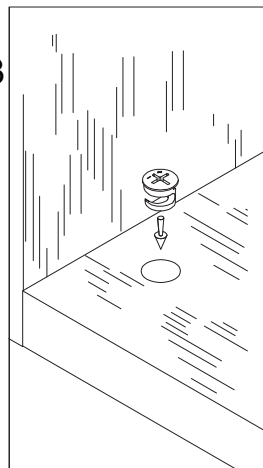


Step 3

Insert the female camlock as shown in the instruction.

Note: ensure that the arrow on the top of the camlock points towards the entry hole for the male camlock.

3



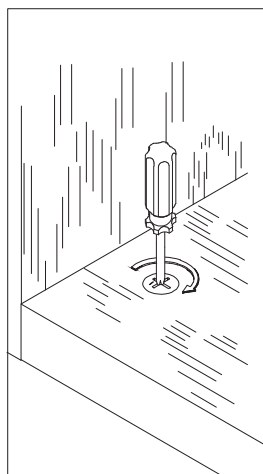
Step 4

Turn the female camlock clockwise with a screwdriver.

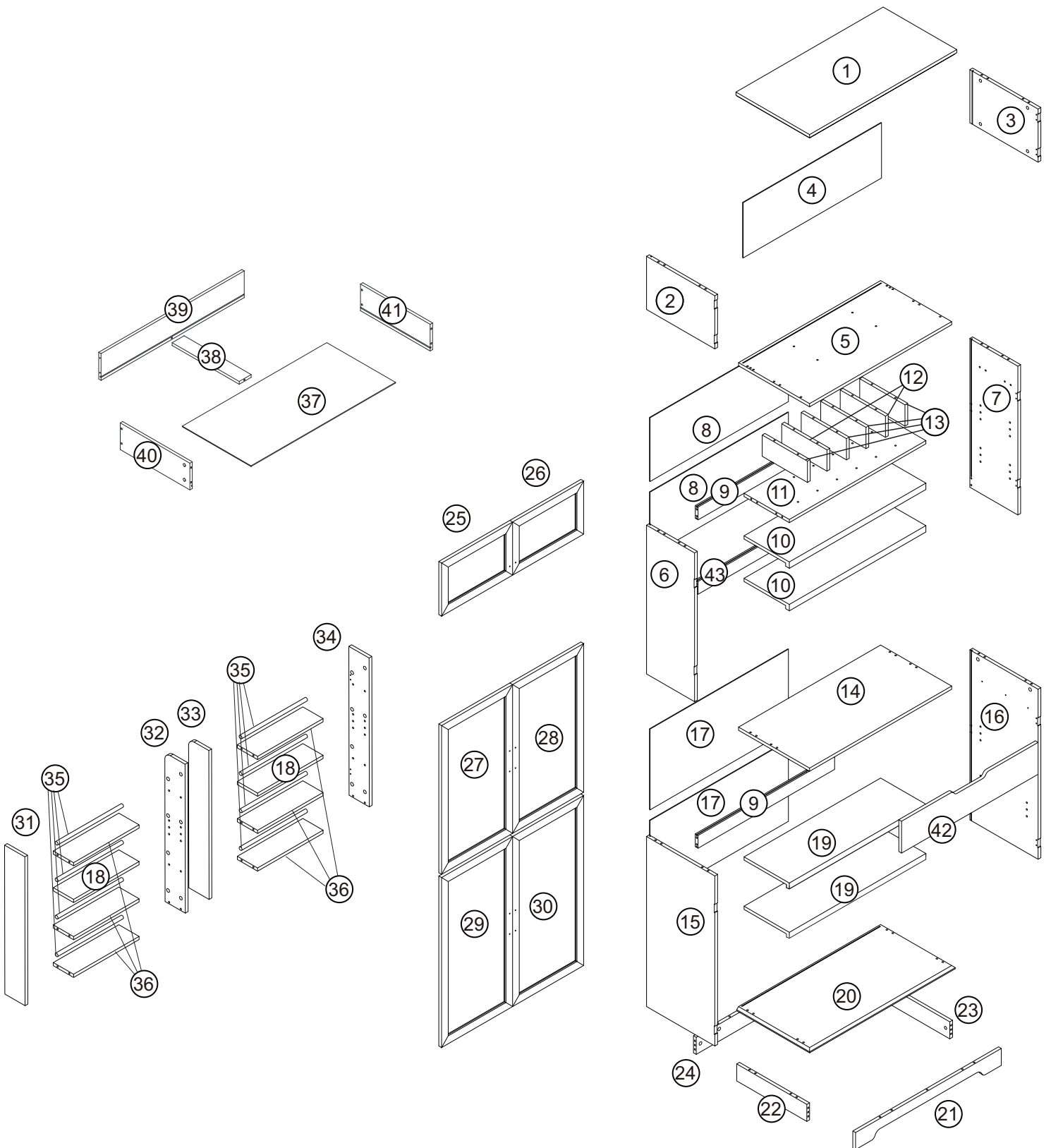
You should feel a click when the camlock is locked in place.

The joint is now secure.

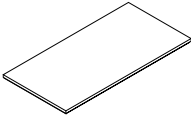
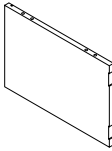
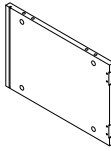
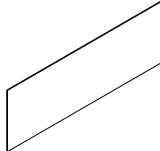
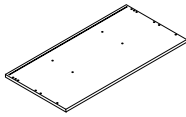

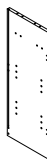
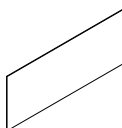

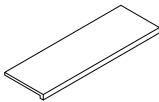
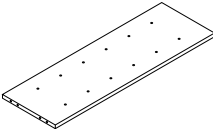
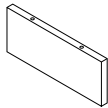
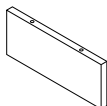
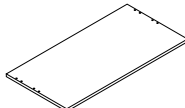

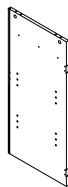
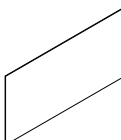
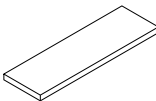
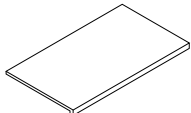
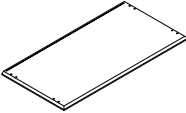
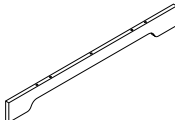
4



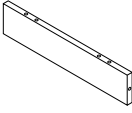
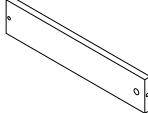
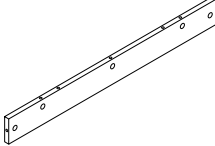
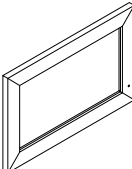
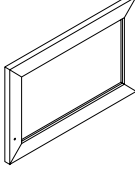


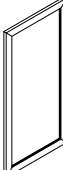





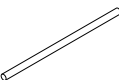
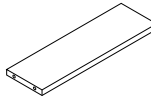
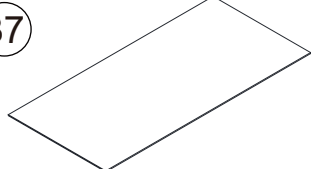
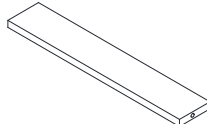
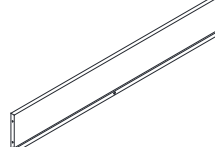
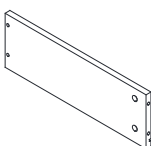
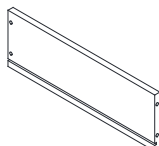
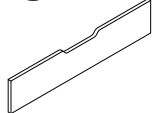

Assembly Instructions



Assembly Instructions

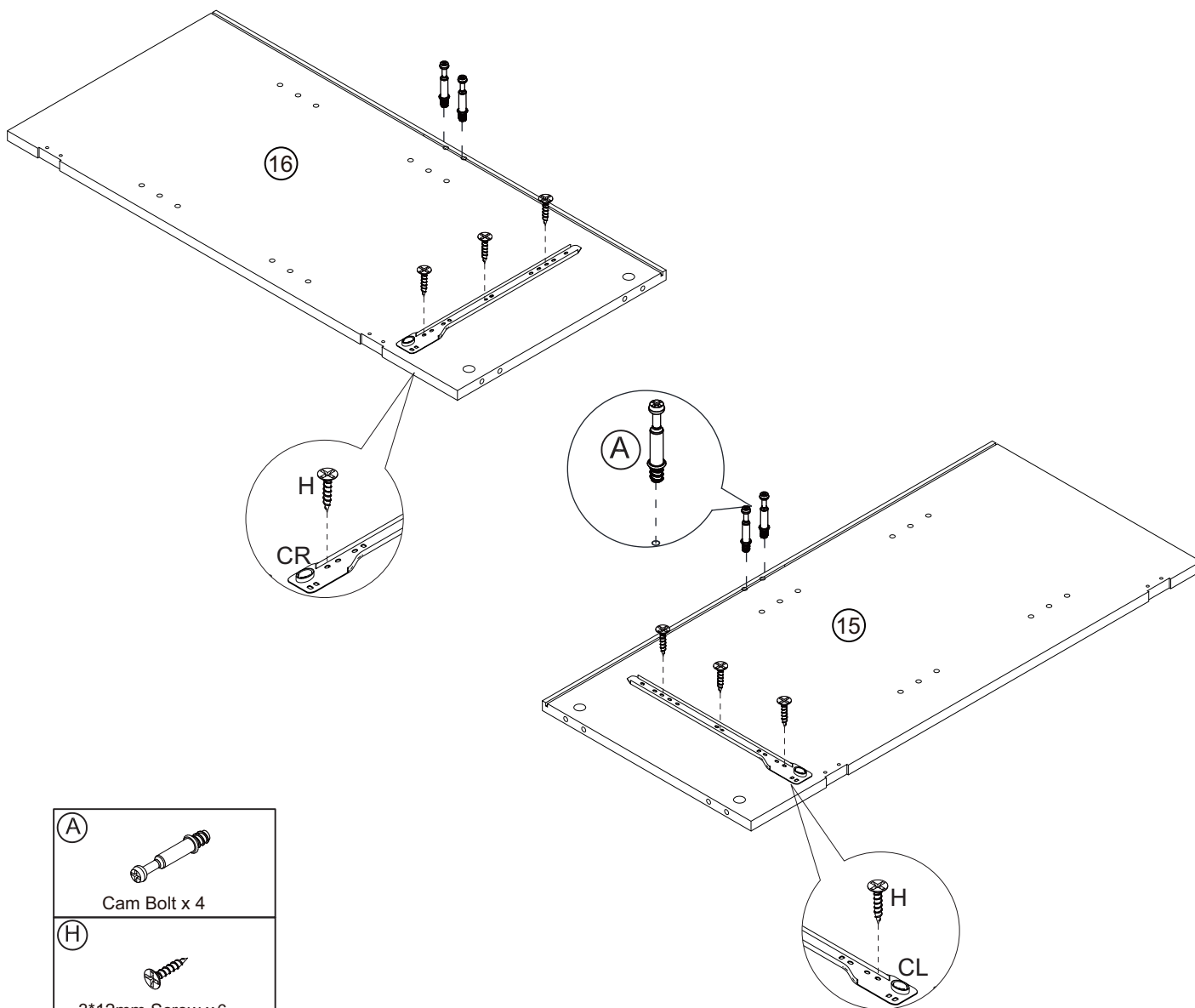
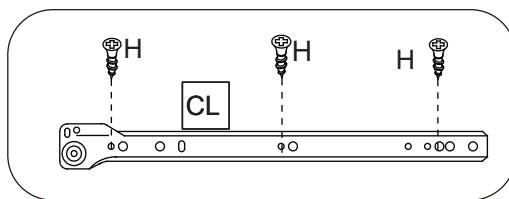
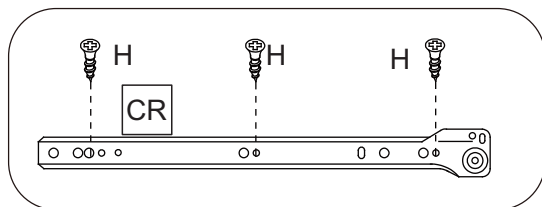
<p>1</p>  <p>1PC</p>	<p>2</p>  <p>1PC</p>	<p>3</p>  <p>1PC</p>
<p>4</p>  <p>1PC</p>	<p>5</p>  <p>1PC</p>	<p>6</p>  <p>1PC</p>
<p>7</p>  <p>1PC</p>	<p>8</p>  <p>2PC</p>	<p>9</p>  <p>2PC</p>
<p>10</p>  <p>2PC</p>	<p>11</p>  <p>1PC</p>	<p>12</p>  <p>2PC</p>
<p>13</p>  <p>4PC</p>	<p>14</p>  <p>1PC</p>	<p>15</p>  <p>1PC</p>
<p>16</p>  <p>1PC</p>	<p>17</p>  <p>2PC</p>	<p>18</p>  <p>2PC</p>
<p>19</p>  <p>2PC</p>	<p>20</p>  <p>1PC</p>	<p>21</p>  <p>1PC</p>

Assembly Instructions

<p>22</p>  <p>1PC</p>	<p>23</p>  <p>1PC</p>	<p>24</p>  <p>1PC</p>
<p>25</p>  <p>1PC</p>	<p>26</p>  <p>1PC</p>	<p>27</p>  <p>1PC</p>
<p>28</p>  <p>1PC</p>	<p>29</p>  <p>1PC</p>	<p>30</p>  <p>1PC</p>
<p>31</p>  <p>1PC</p>	<p>32</p>  <p>1PC</p>	<p>33</p>  <p>1PC</p>
<p>34</p>  <p>1PC</p>	<p>35</p>  <p>8PC</p>	<p>36</p>  <p>6PC</p>
<p>37</p>  <p>1PC</p>	<p>38</p>  <p>1PC</p>	<p>39</p>  <p>1PC</p>
<p>40</p>  <p>1PC</p>	<p>41</p>  <p>1PC</p>	<p>42</p>  <p>1PC</p> <p>43</p>  <p>1PC</p>

Assembly Instructions

Step 1

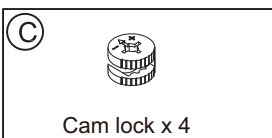
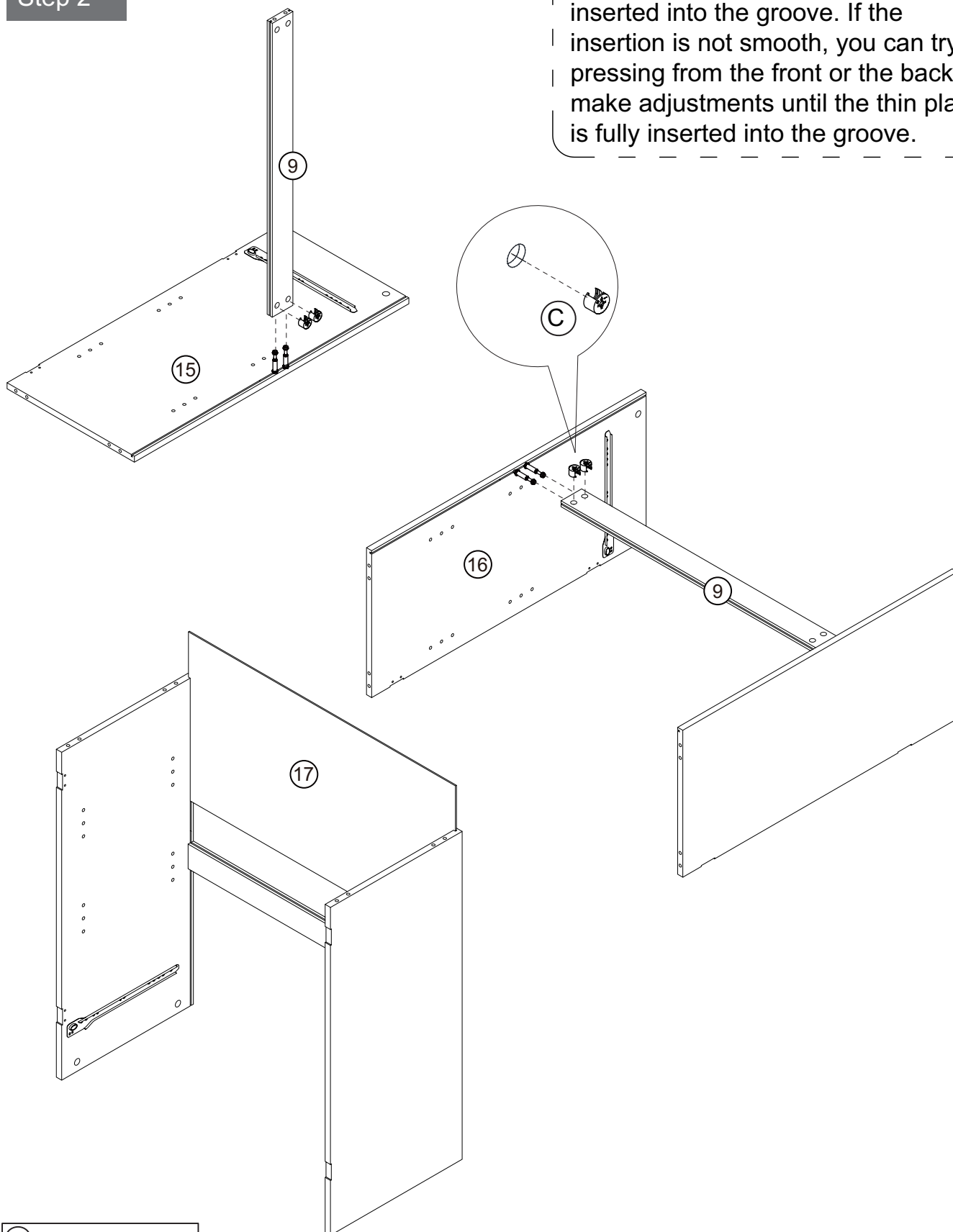


(A)	
	Cam Bolt x 4
(H)	
	3*12mm Screw x 6
(CR)	
	300mm runner x 1
(CL)	
	300mm runner x 1

Assembly Instructions

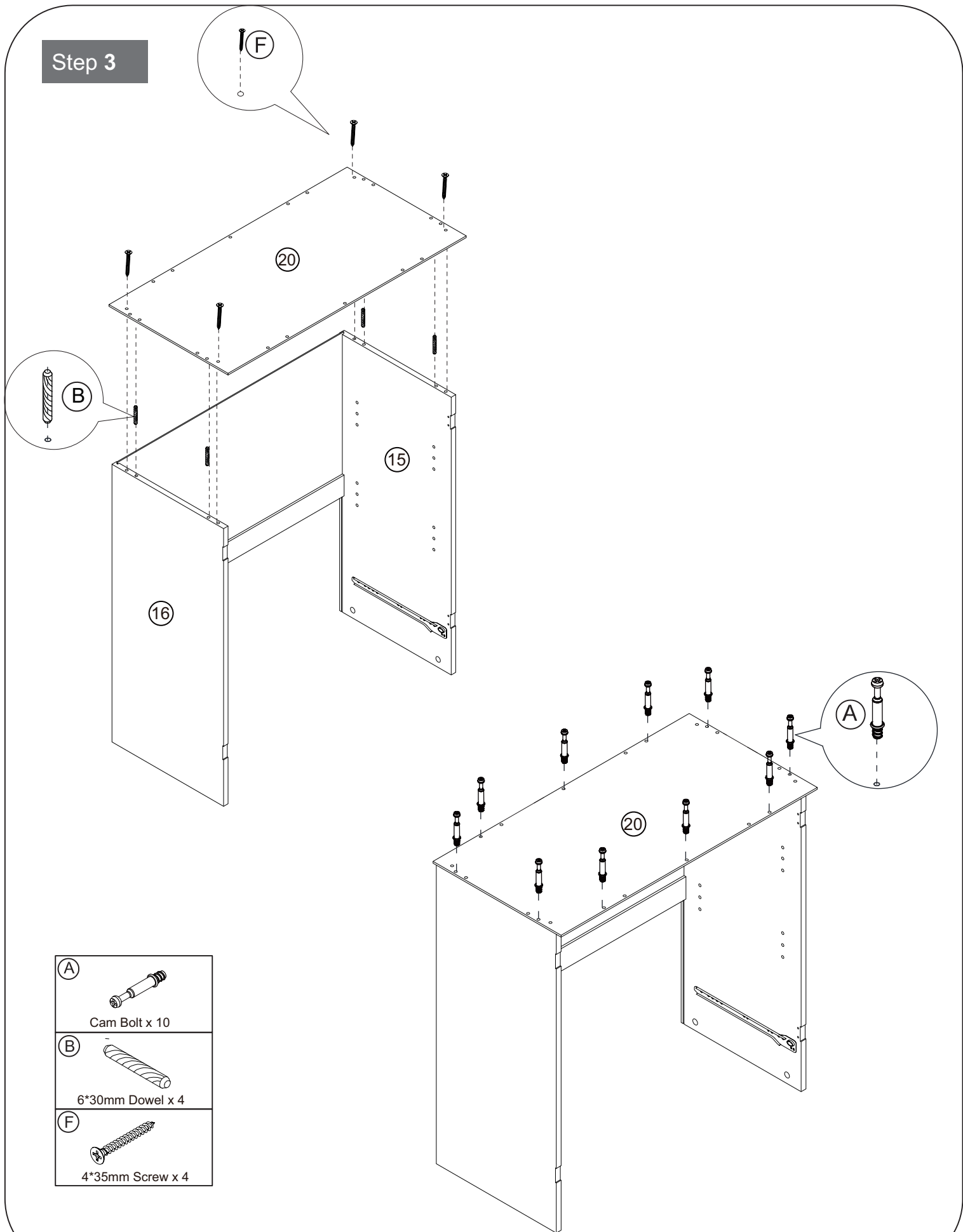
Step 2

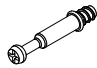
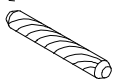

The thin plate needs to be fully inserted into the groove. If the insertion is not smooth, you can try pressing from the front or the back to make adjustments until the thin plate is fully inserted into the groove.



Assembly Instructions

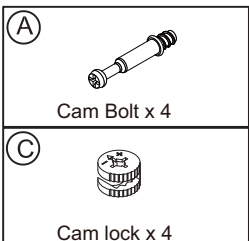
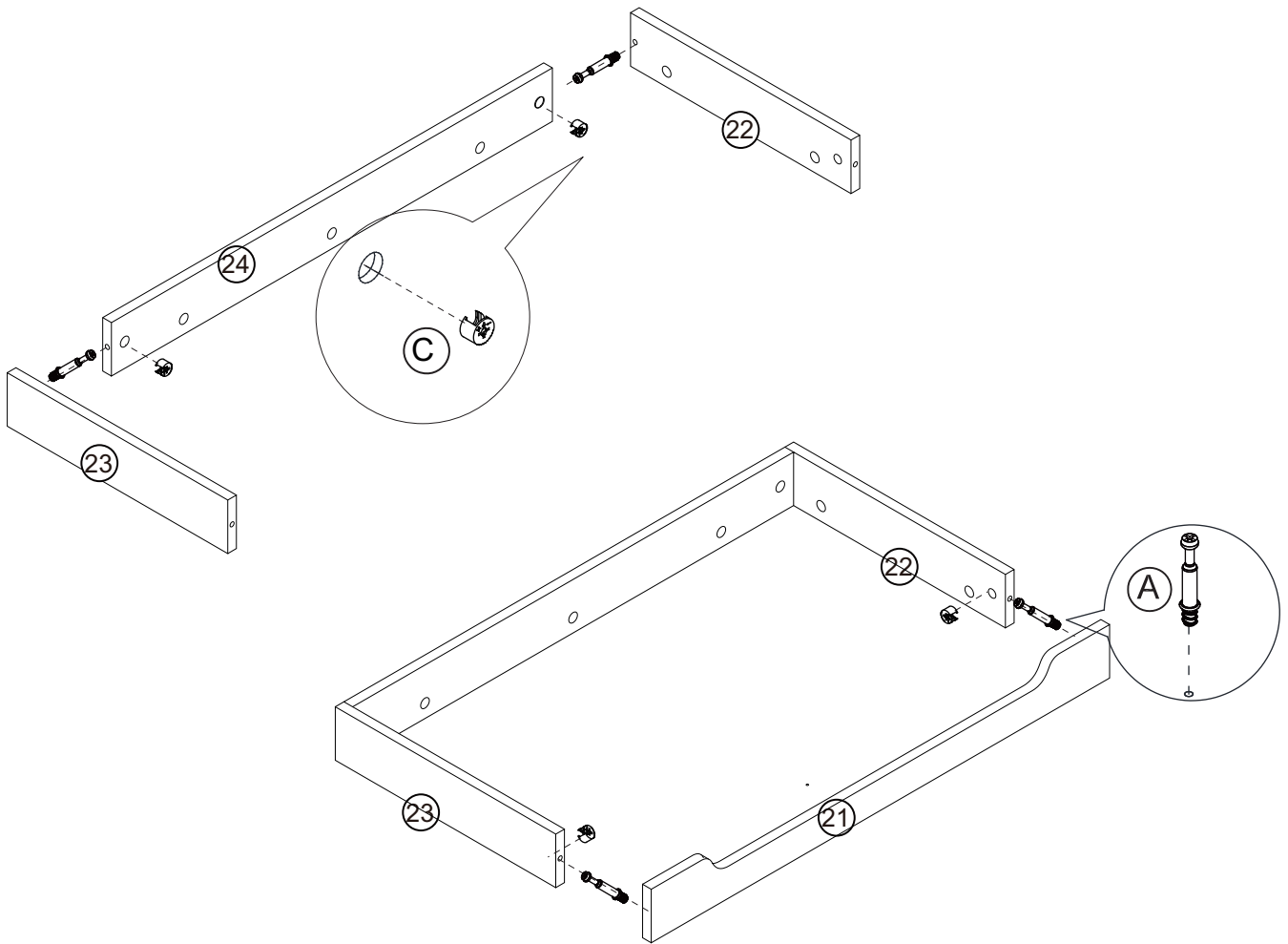
Step 3



- (A) 
Cam Bolt x 10
- (B) 
6*30mm Dowel x 4
- (F) 
4*35mm Screw x 4

Assembly Instructions

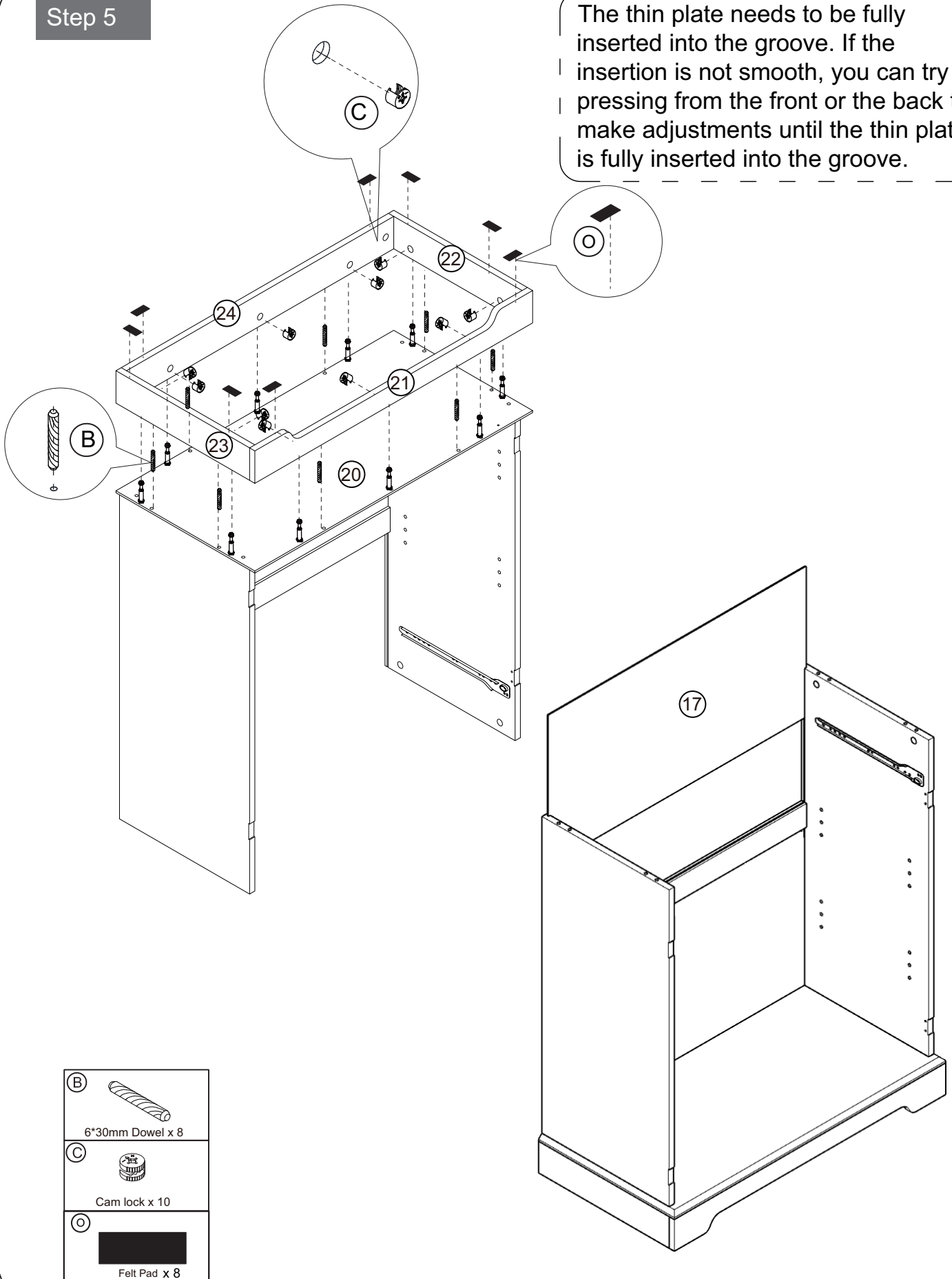
Step 4



Assembly Instructions

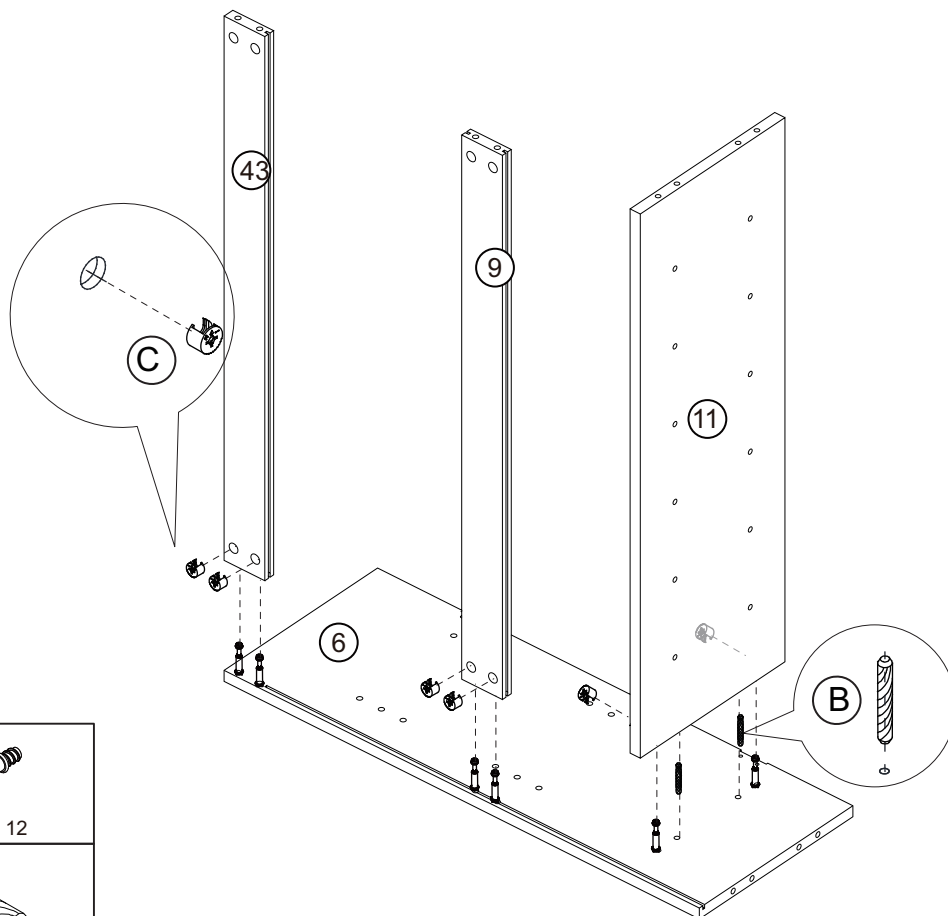
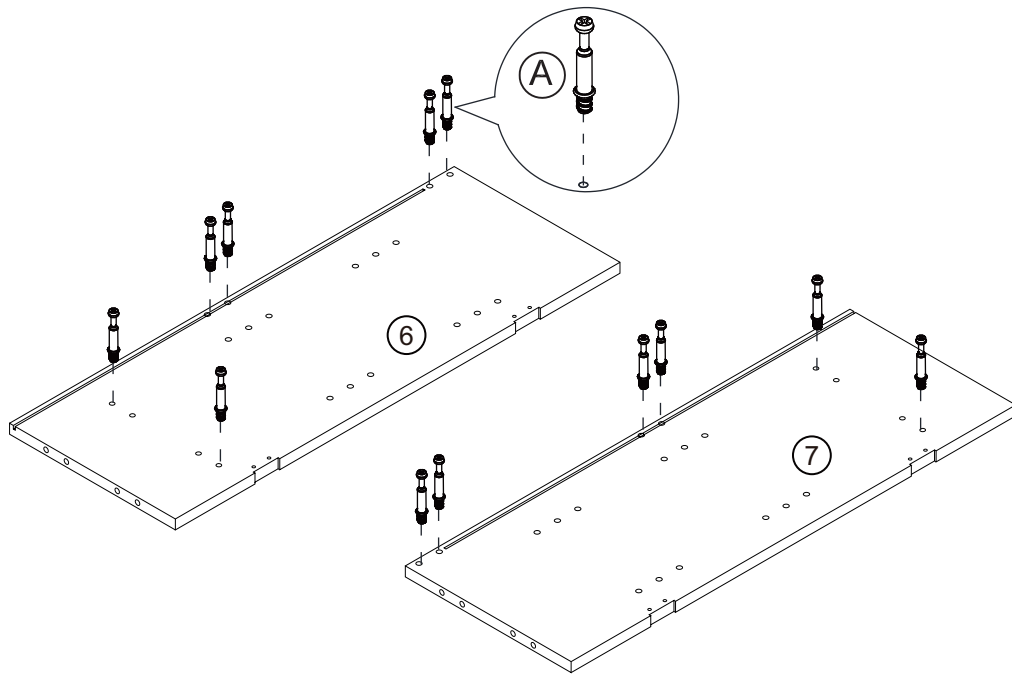
Step 5

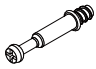


The thin plate needs to be fully inserted into the groove. If the insertion is not smooth, you can try pressing from the front or the back to make adjustments until the thin plate is fully inserted into the groove.



Assembly Instructions

Step 6

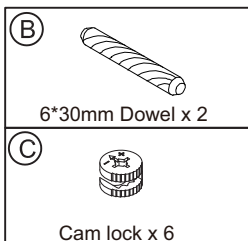
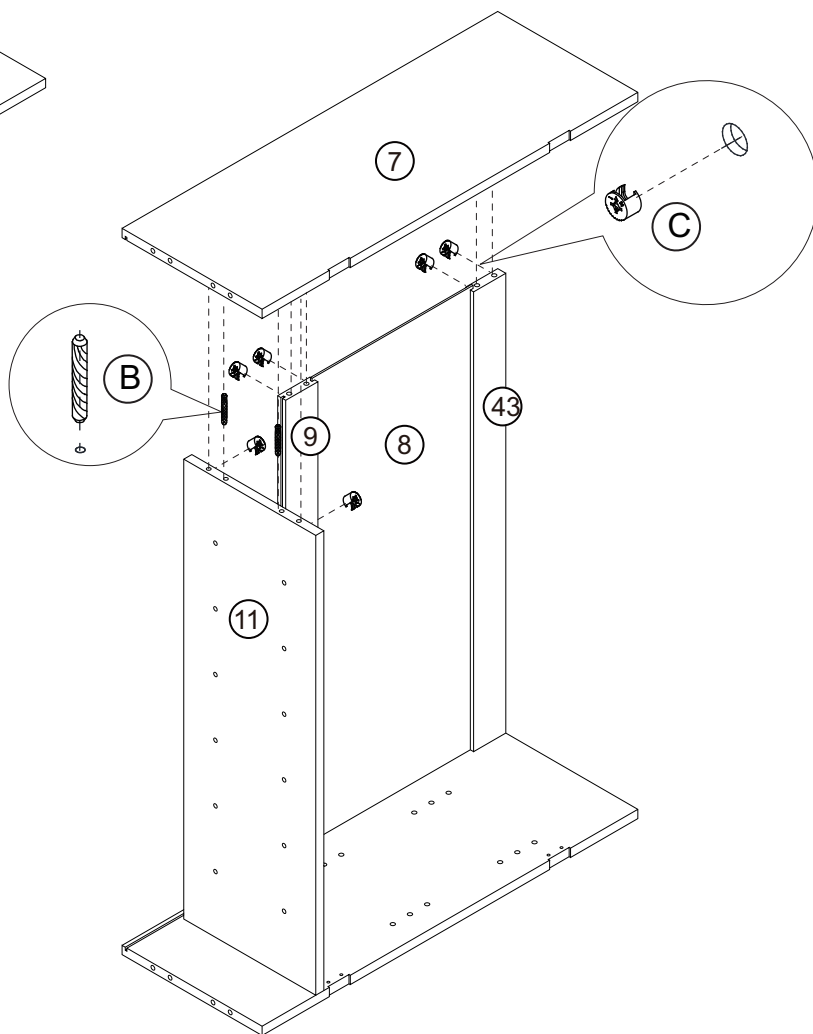
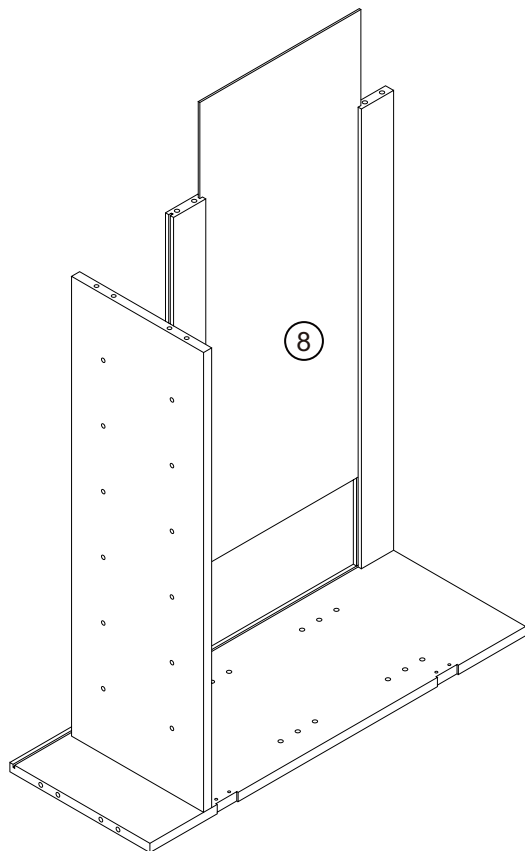


(A)	
	Cam Bolt x 12
(B)	
	6*30mm Dowel x 2
(C)	
	Cam lock x 6

Assembly Instructions

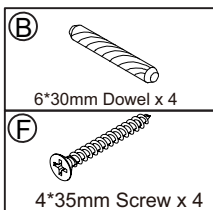
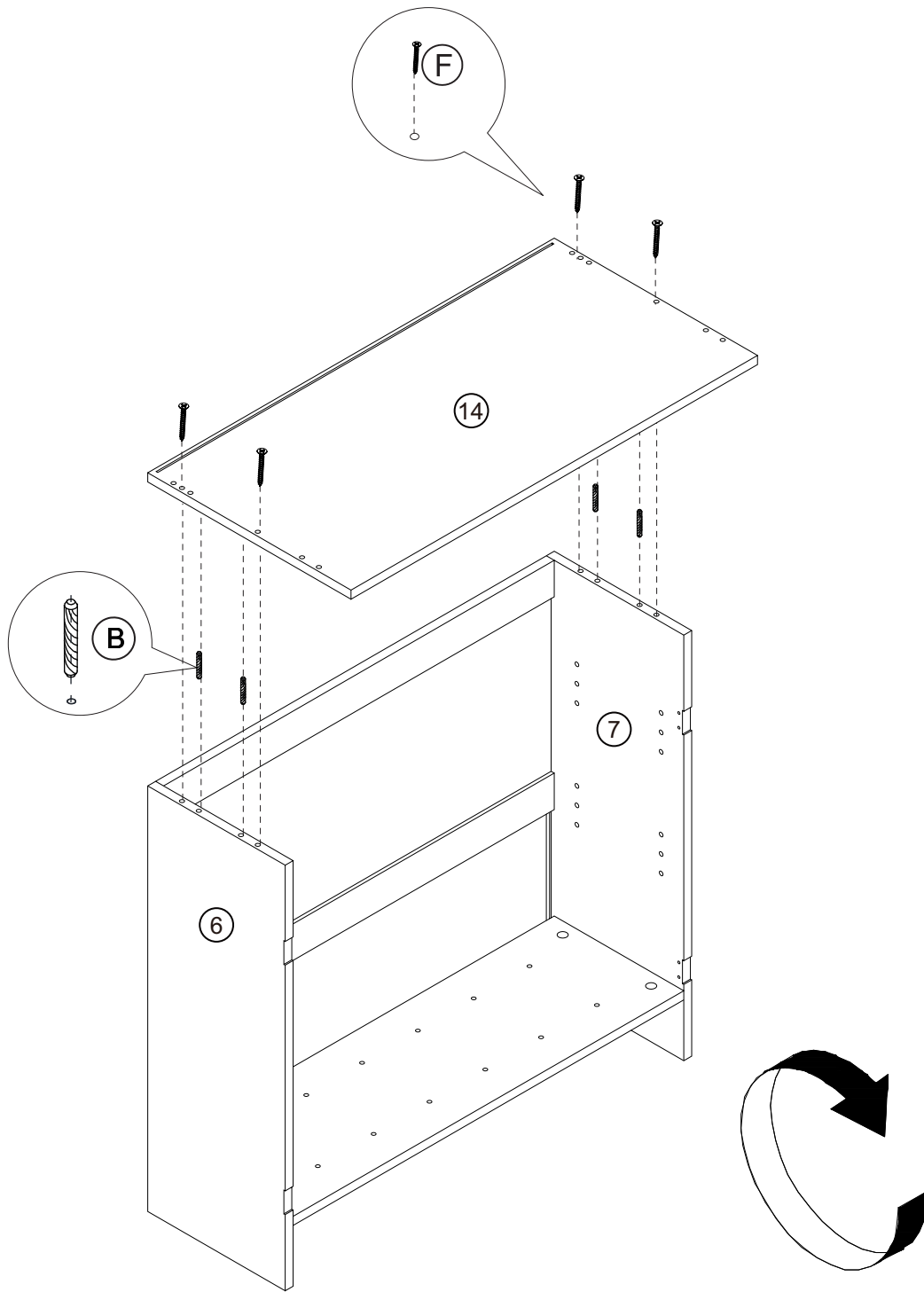
Step 7

The thin plate needs to be fully inserted into the groove. If the insertion is not smooth, you can try pressing from the front or the back to make adjustments until the thin plate is fully inserted into the groove.



Assembly Instructions

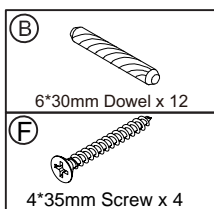
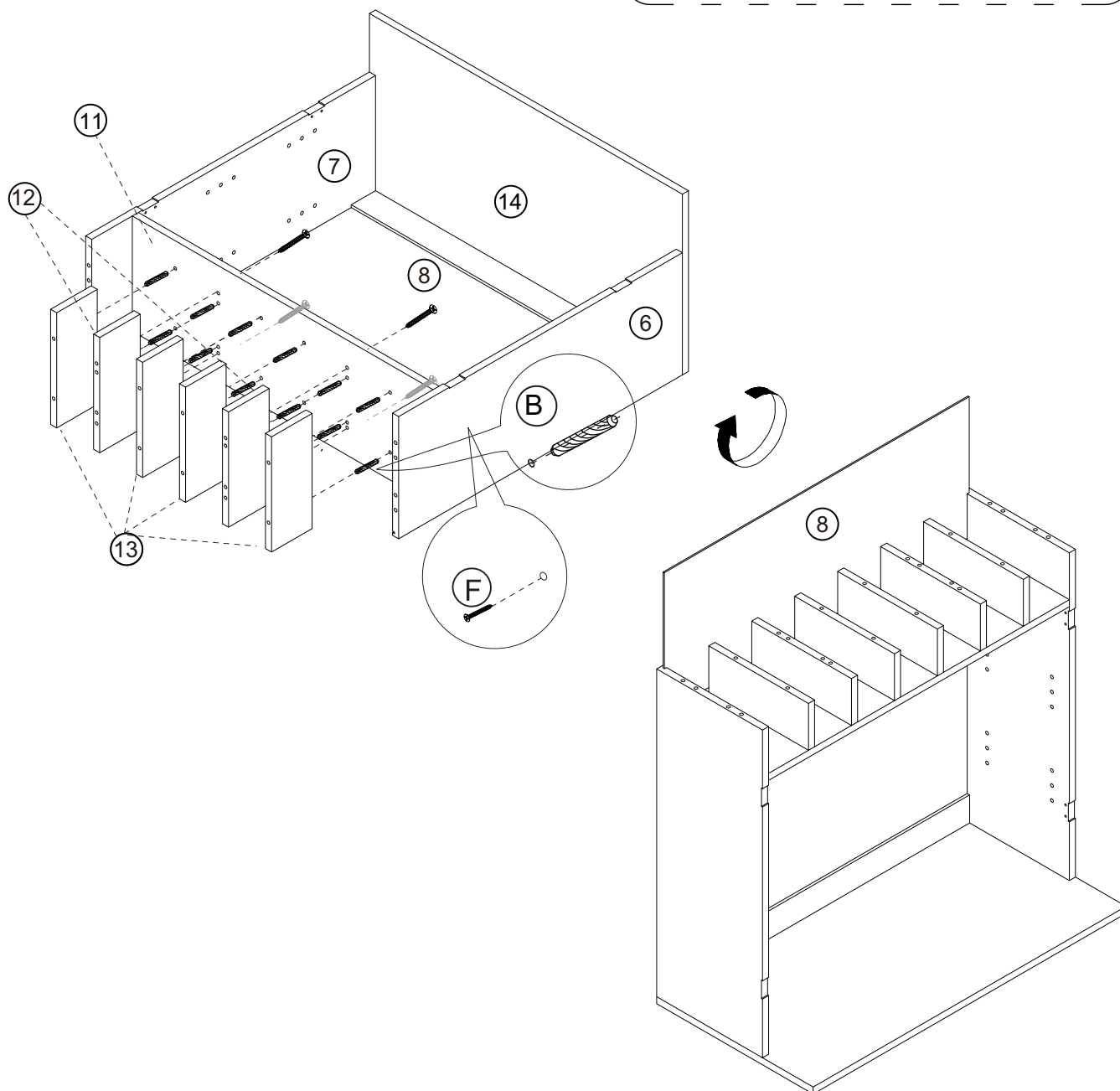
Step 8



Assembly Instructions

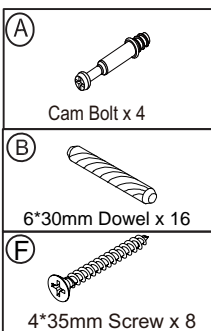
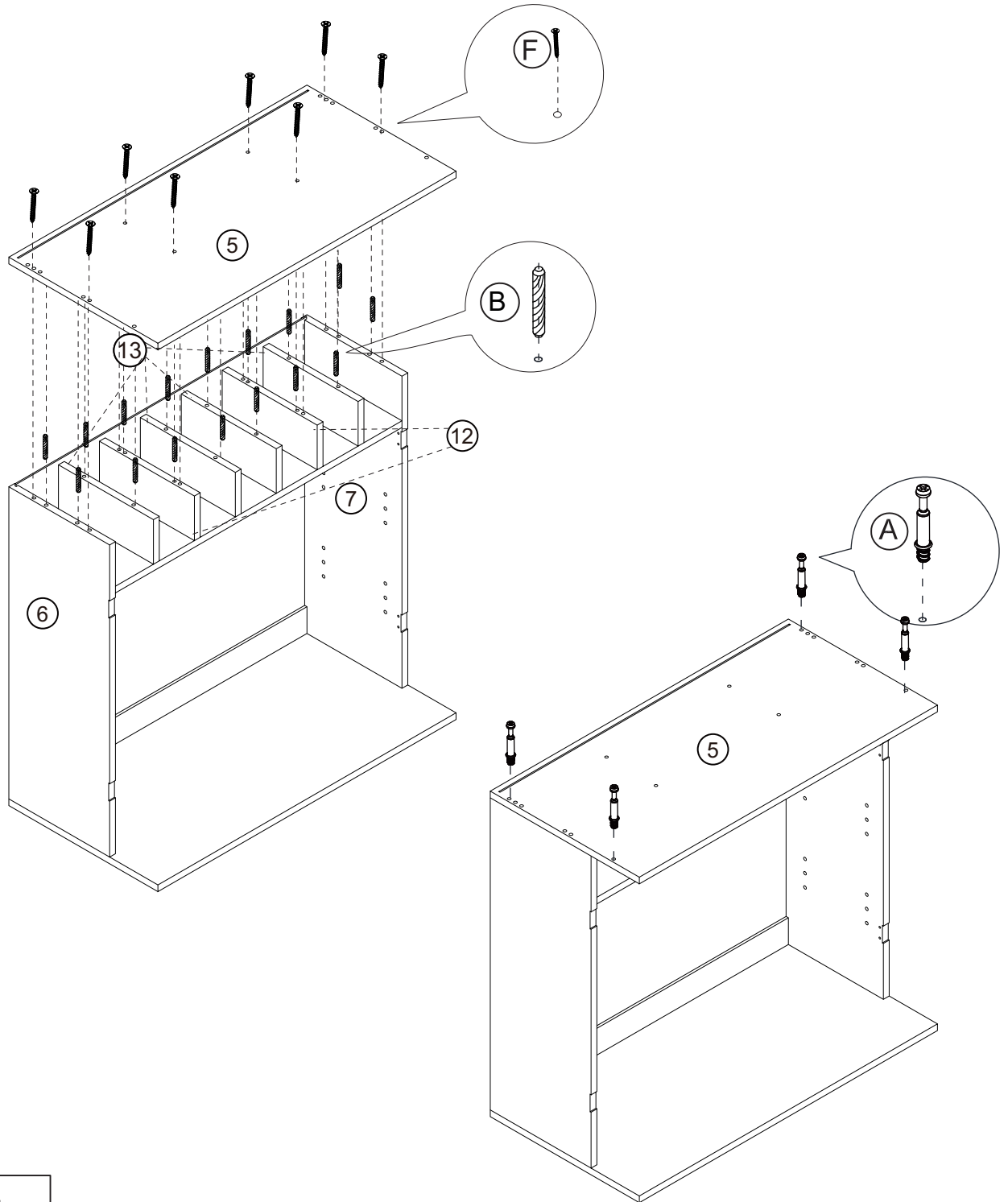
Step 9

The thin plate needs to be fully inserted into the groove. If the insertion is not smooth, you can try pressing from the front or the back to make adjustments until the thin plate is fully inserted into the groove.



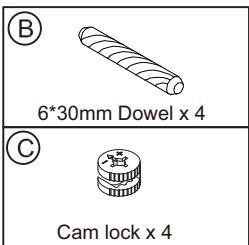
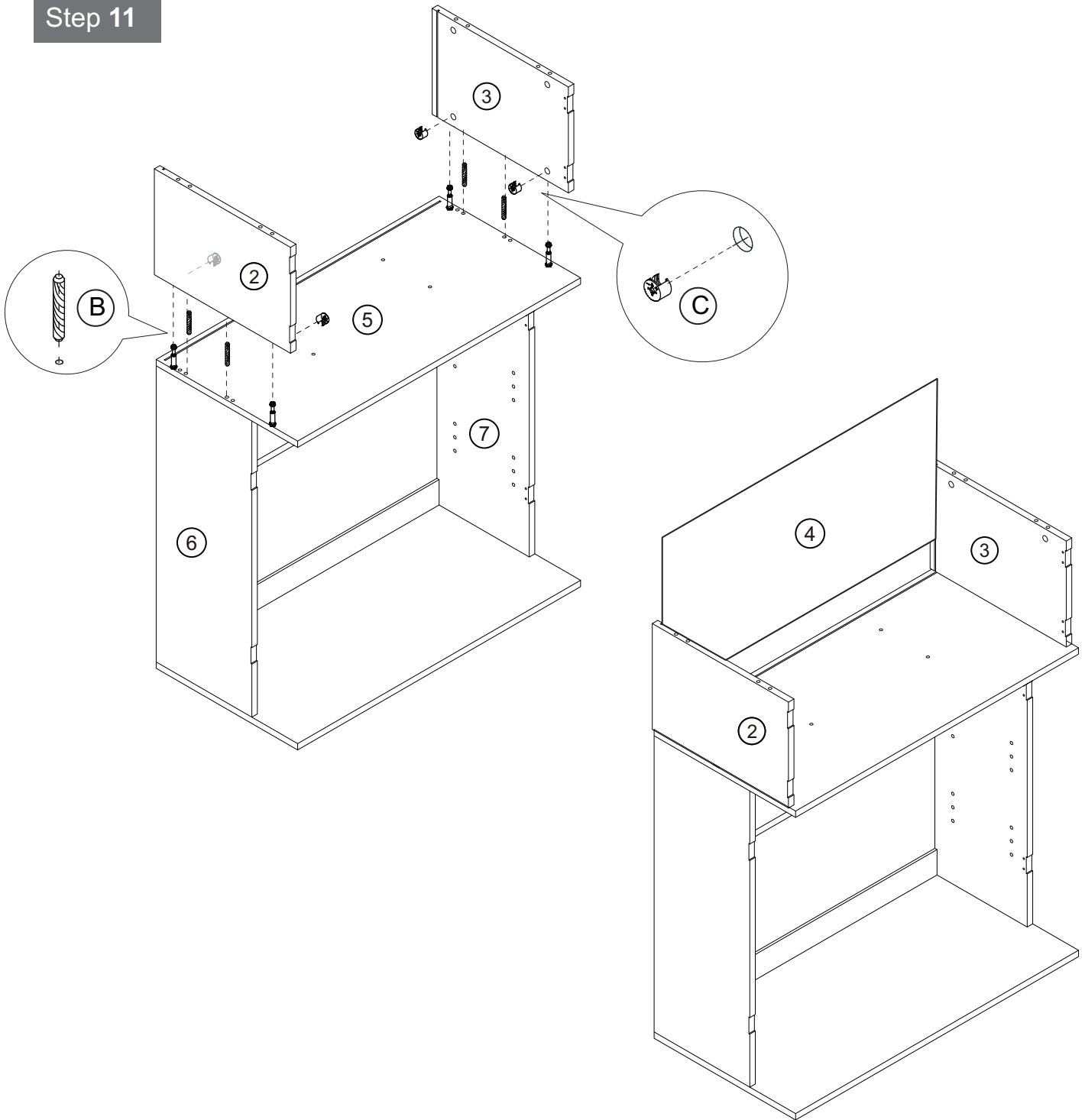
Assembly Instructions

Step 10



Assembly Instructions

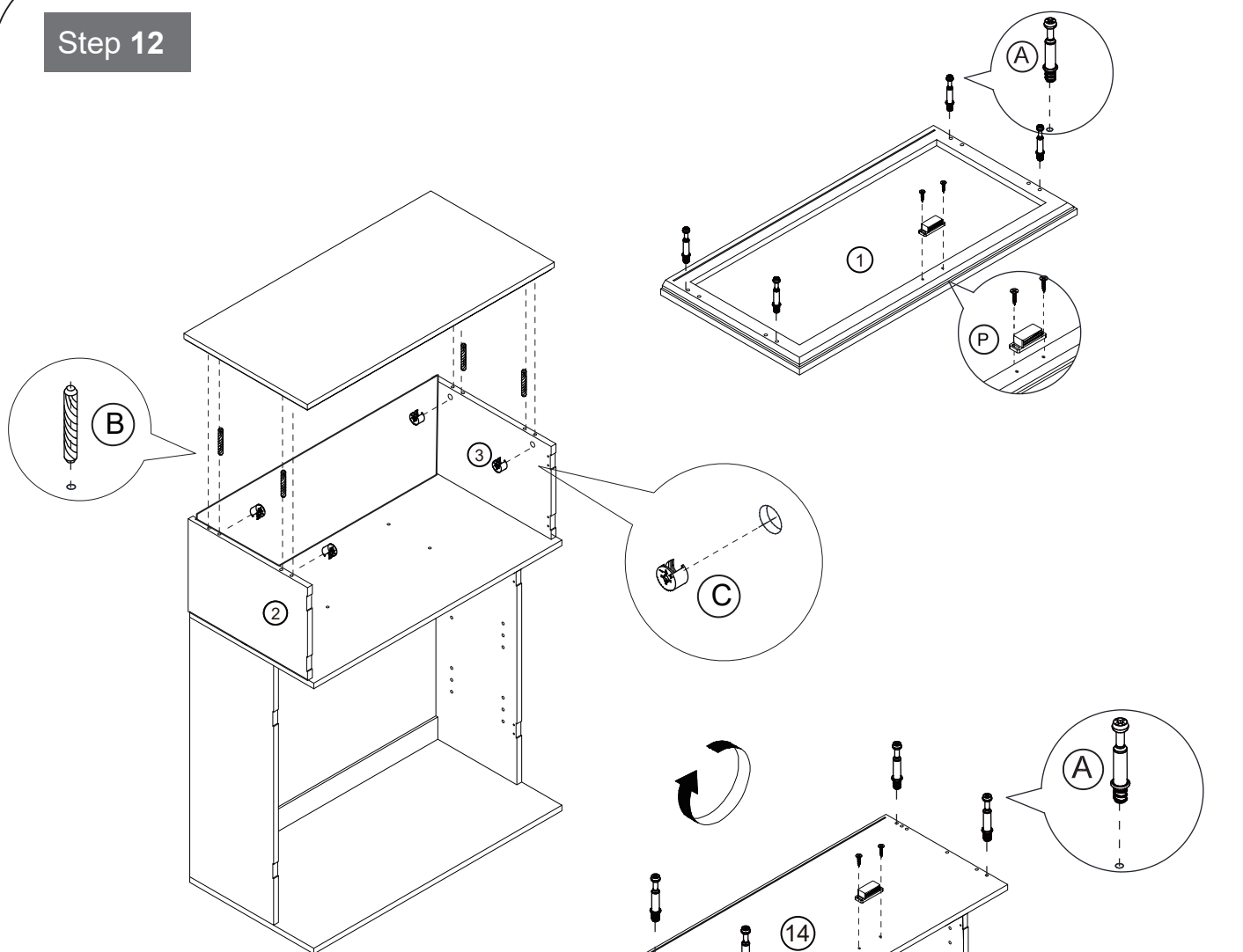
Step 11





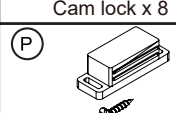


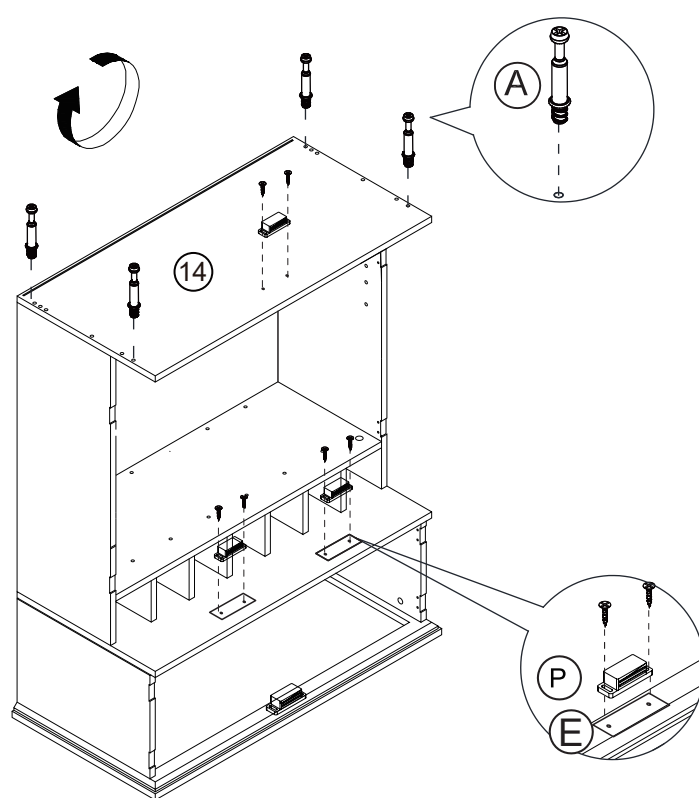
The thin plate needs to be fully inserted into the groove. If the insertion is not smooth, you can try pressing from the front or the back to make adjustments until the thin plate is fully inserted into the groove.

Assembly Instructions

Step 12

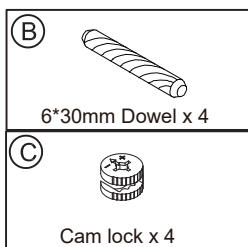
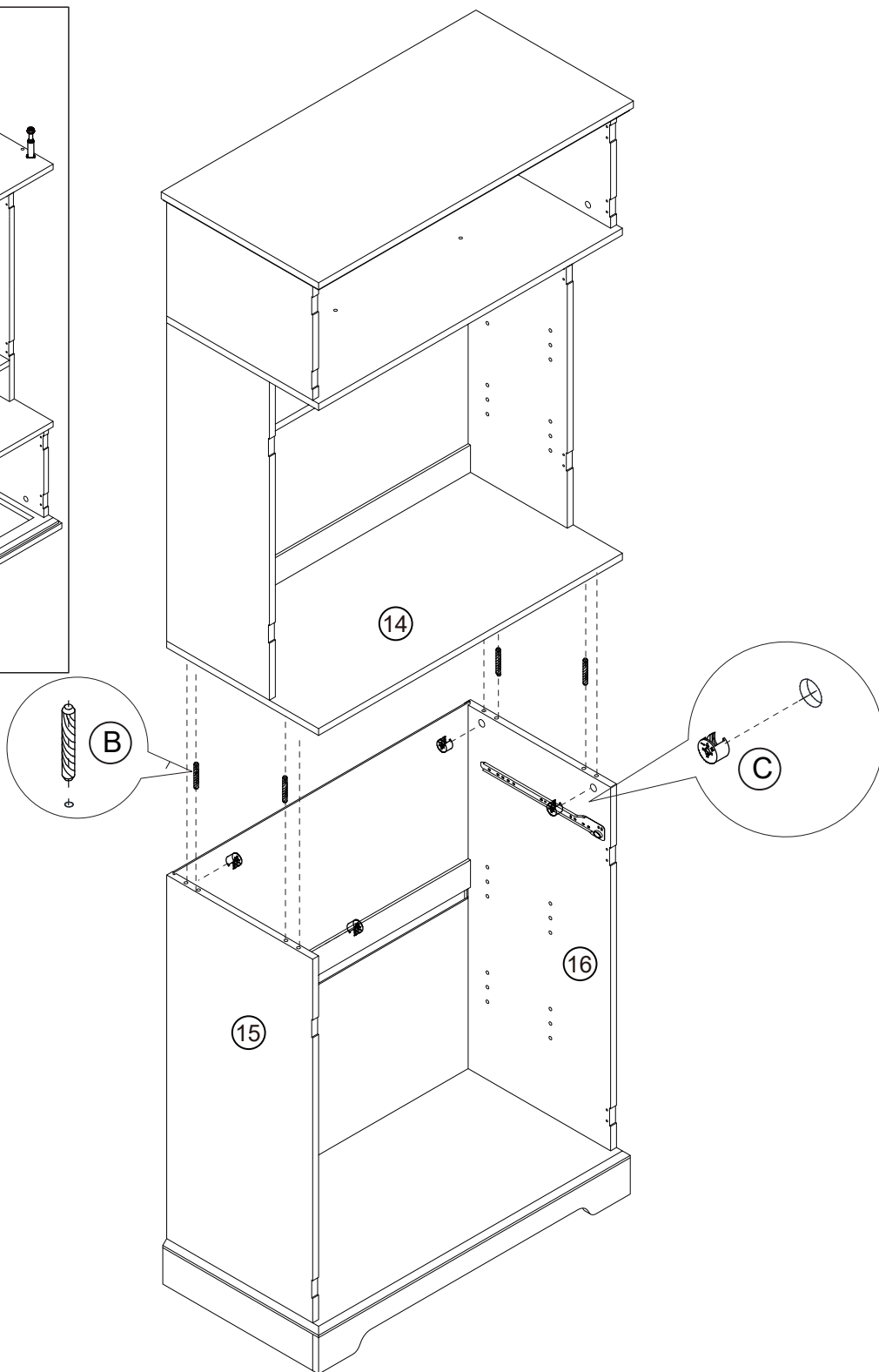
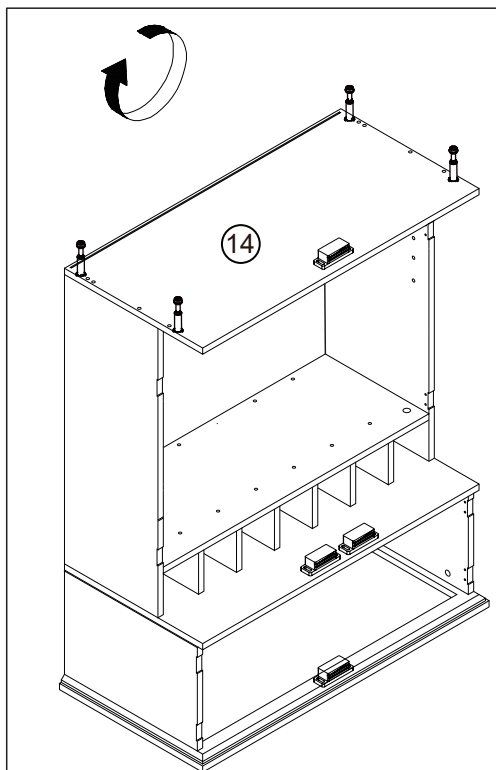


- 
Cam Bolt x 4
- 
Wooden Pad x2
- 
6*30mm Dowel x 4
- 
Cam lock x 8
- 
x4



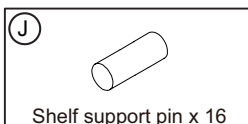
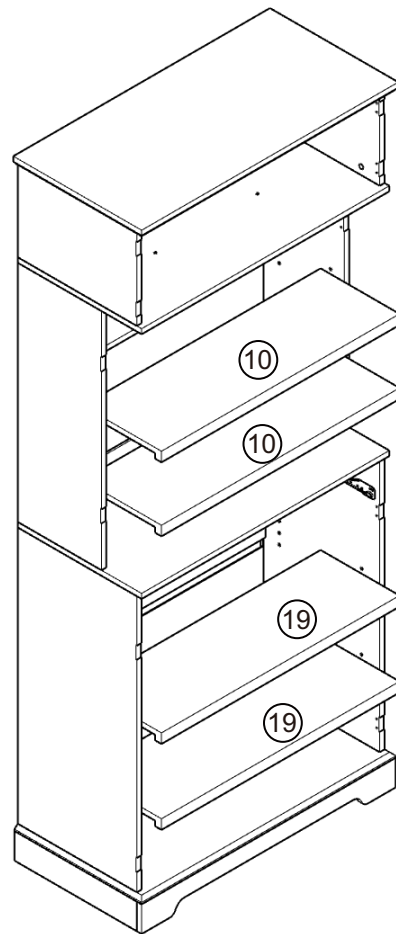
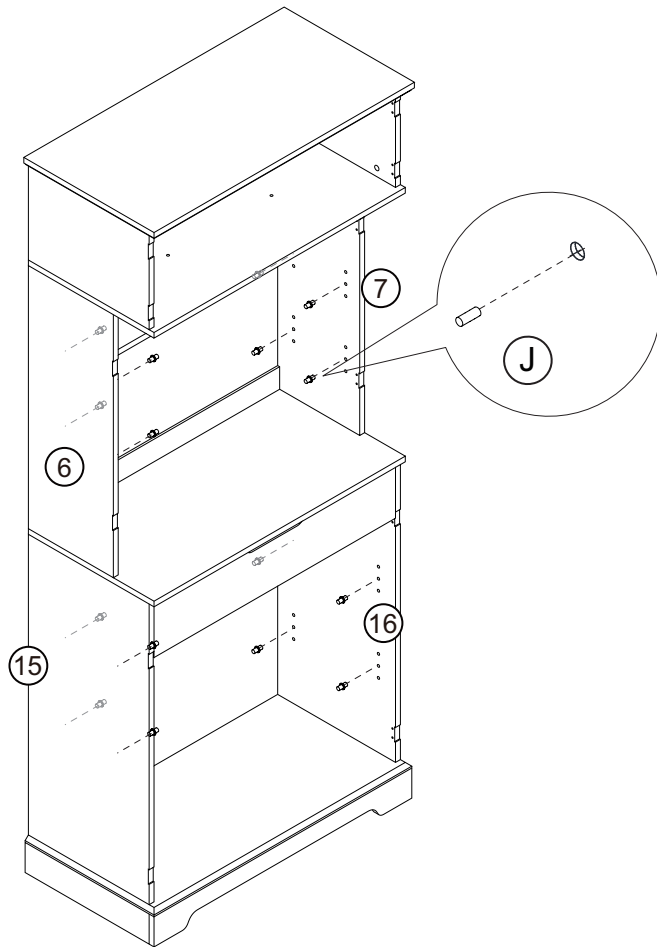
Assembly Instructions

Step 13



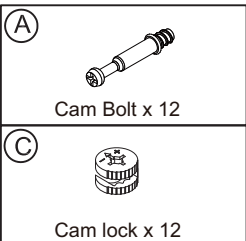
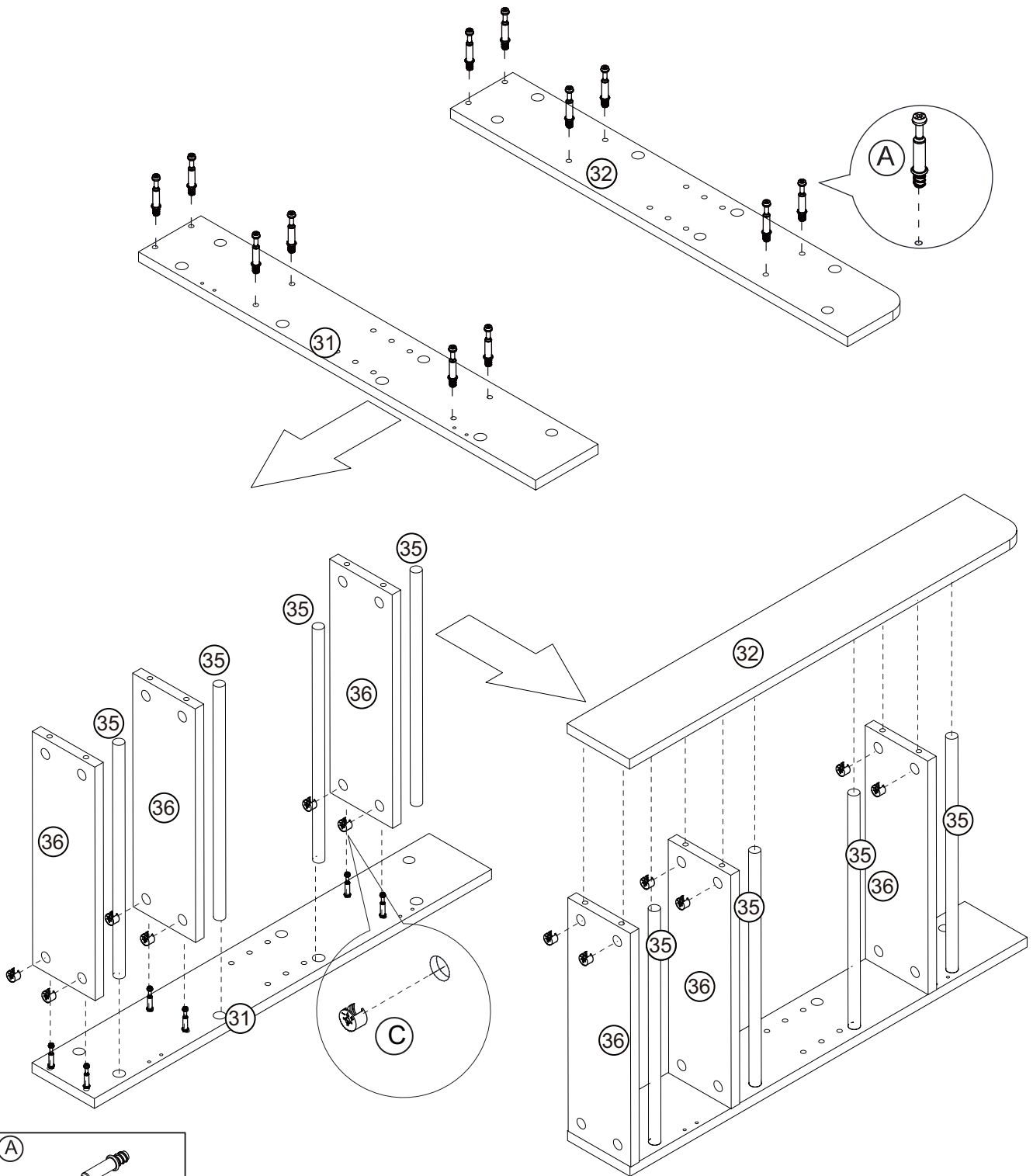
Assembly Instructions

Step 14



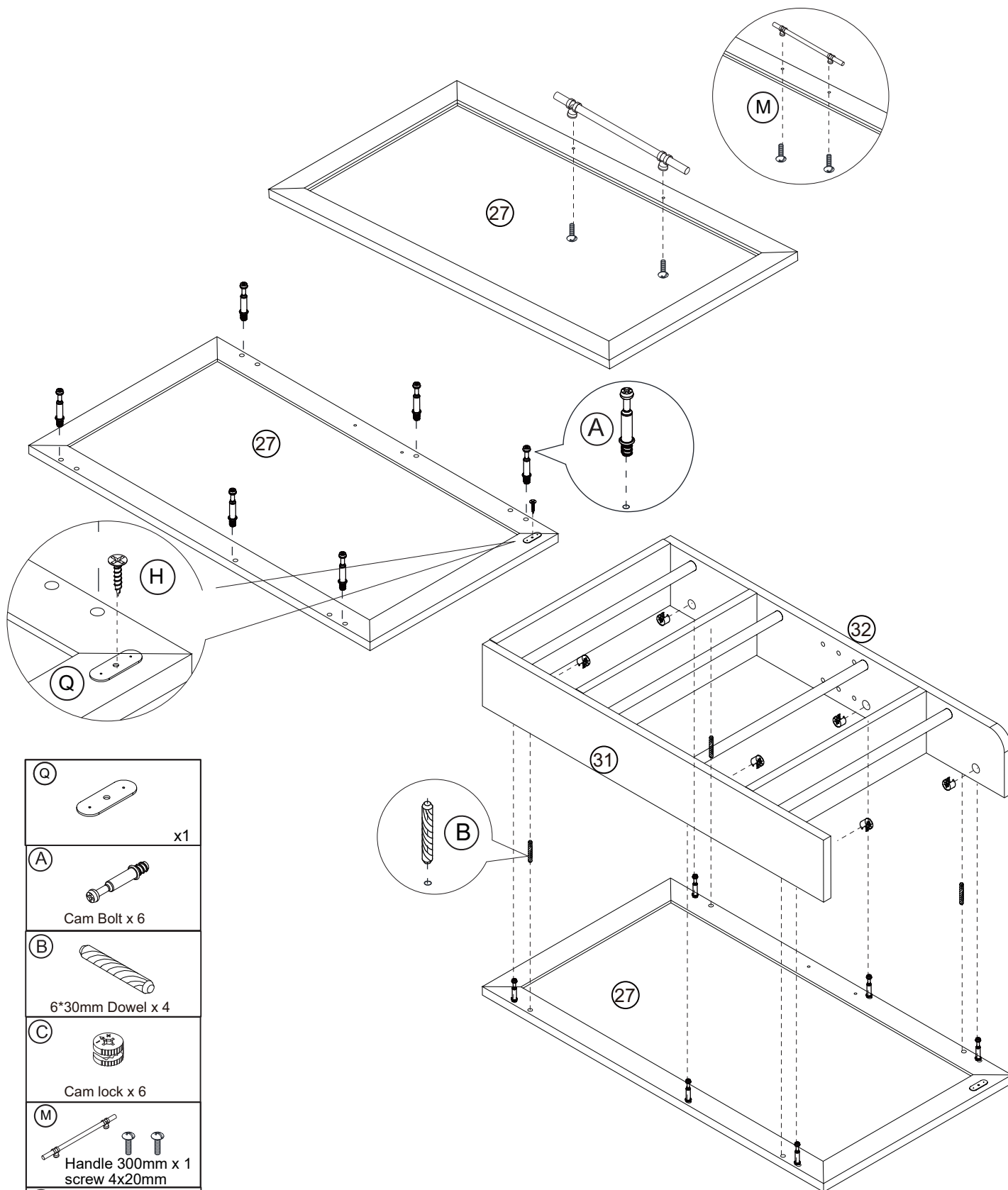
Assembly Instructions





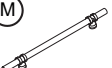

Step 15



Assembly Instructions

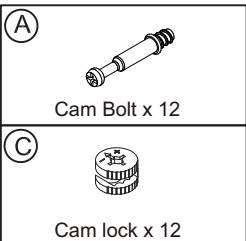
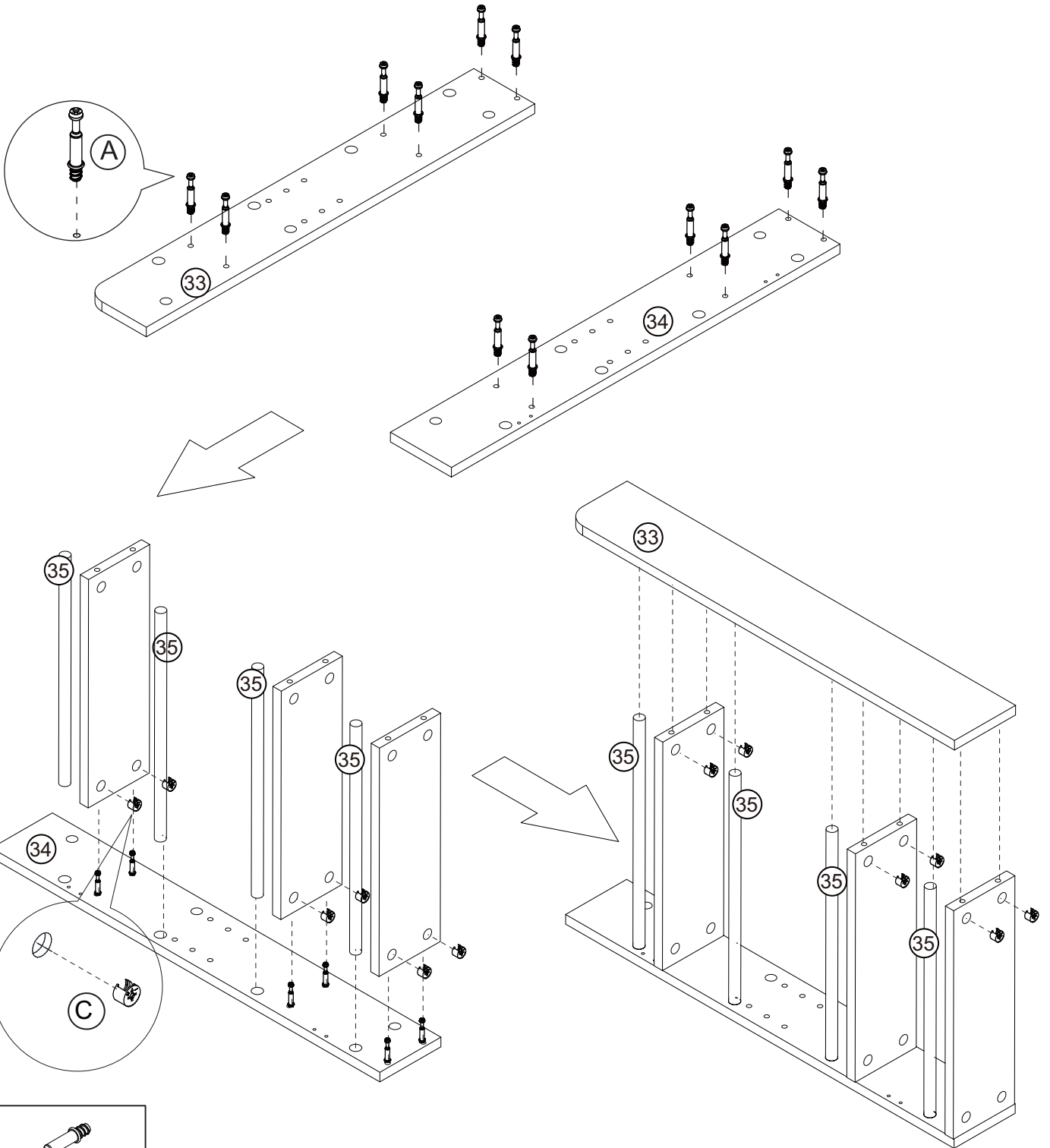
Step 16



Q		x1
A		Cam Bolt x 6
B		6*30mm Dowel x 4
C		Cam lock x 6
M		Handle 300mm x 1 screw 4x20mm
H		3*12mm Screw x 1

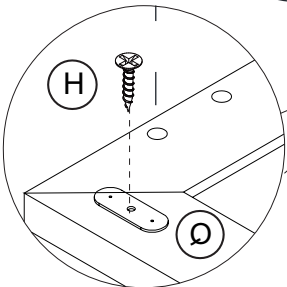
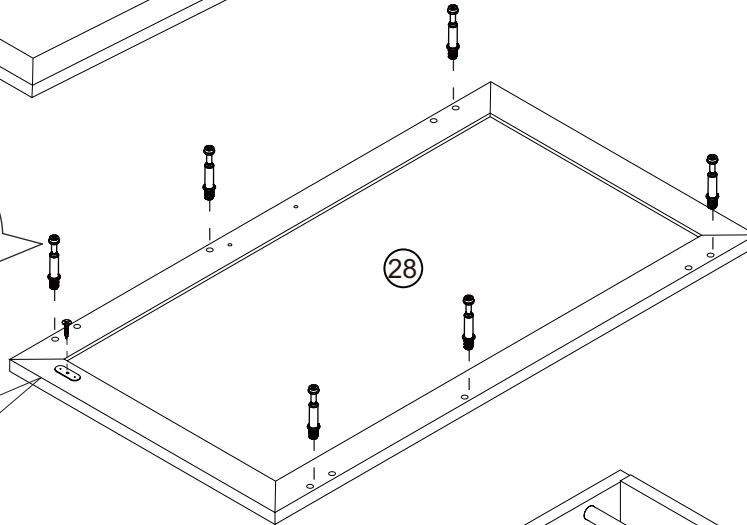
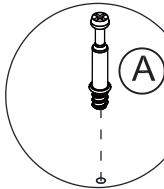
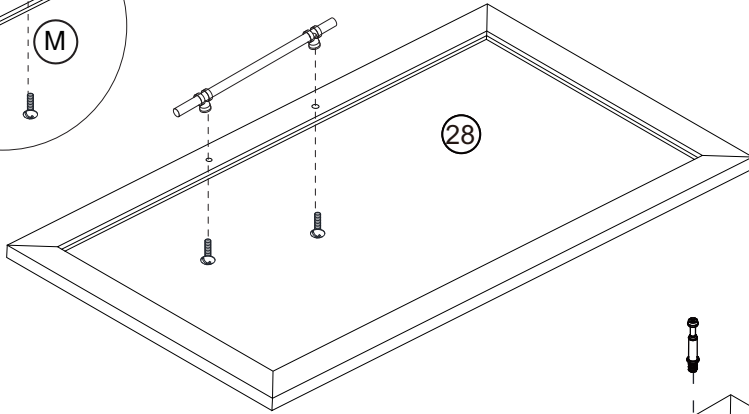
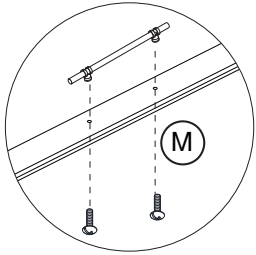
Assembly Instructions


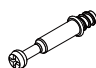




Step 17

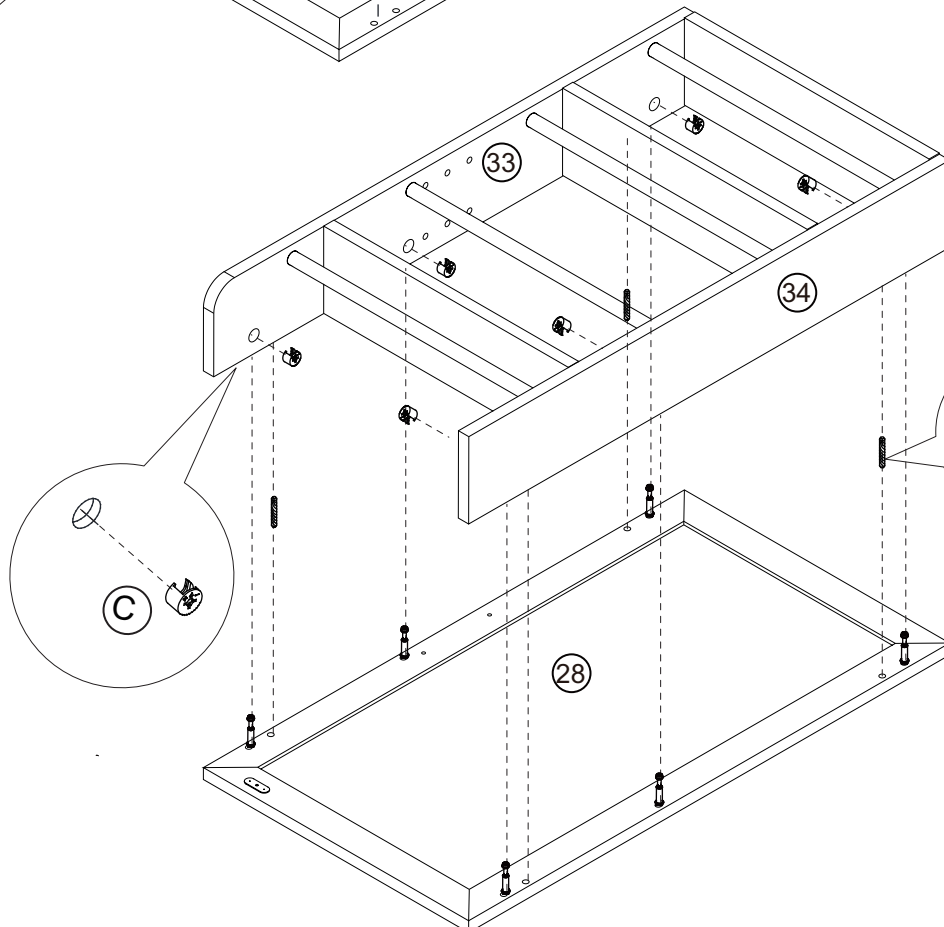


Assembly Instructions

Step 18

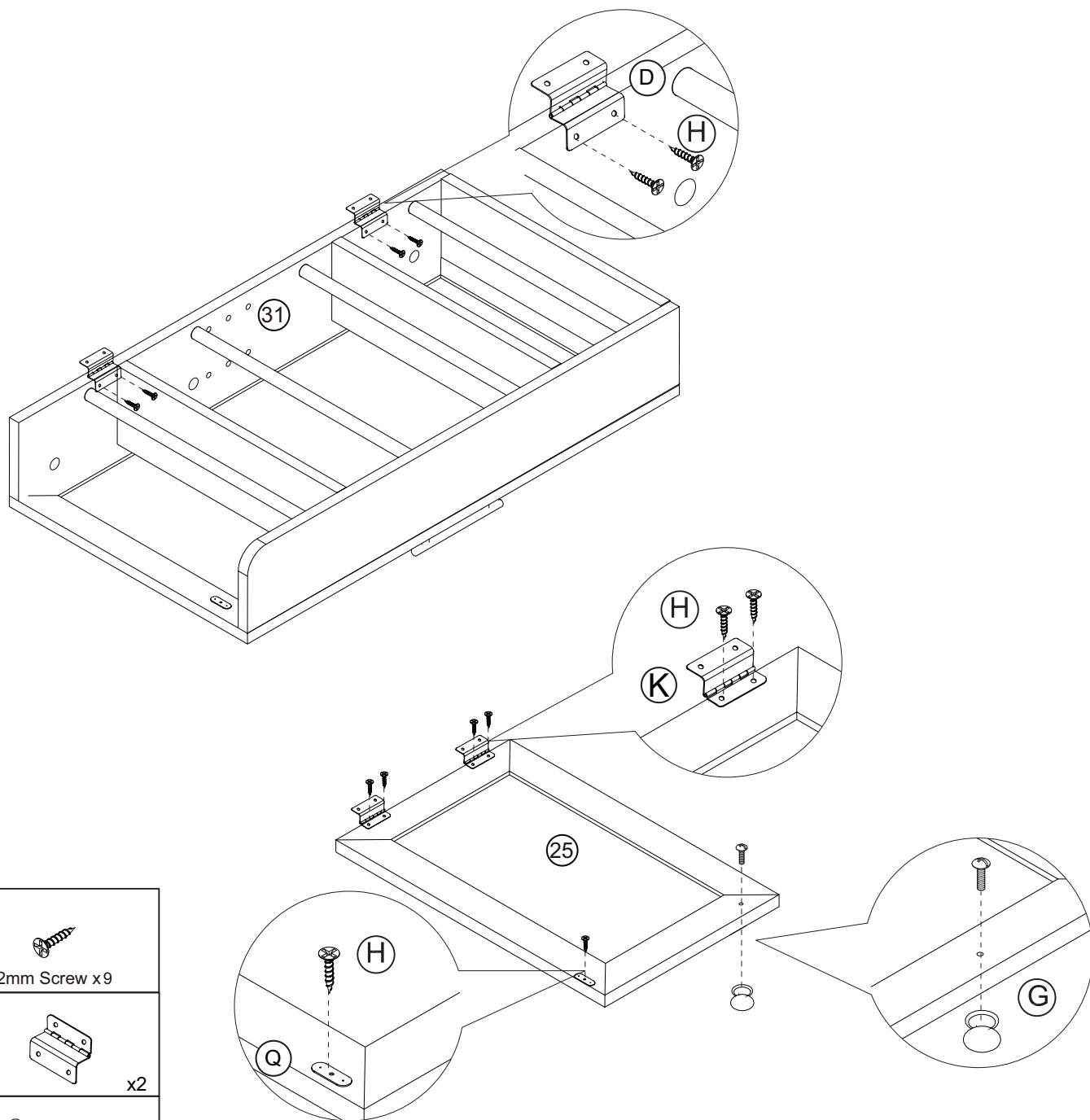



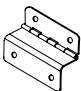

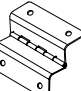

	x1
	Cam Bolt x 6
	6*30mm Dowel x 4
	Cam lock x 6
	Handle 300mm x 1 screw 4x20mm
	3*12mm Screw x 1



Assembly Instructions

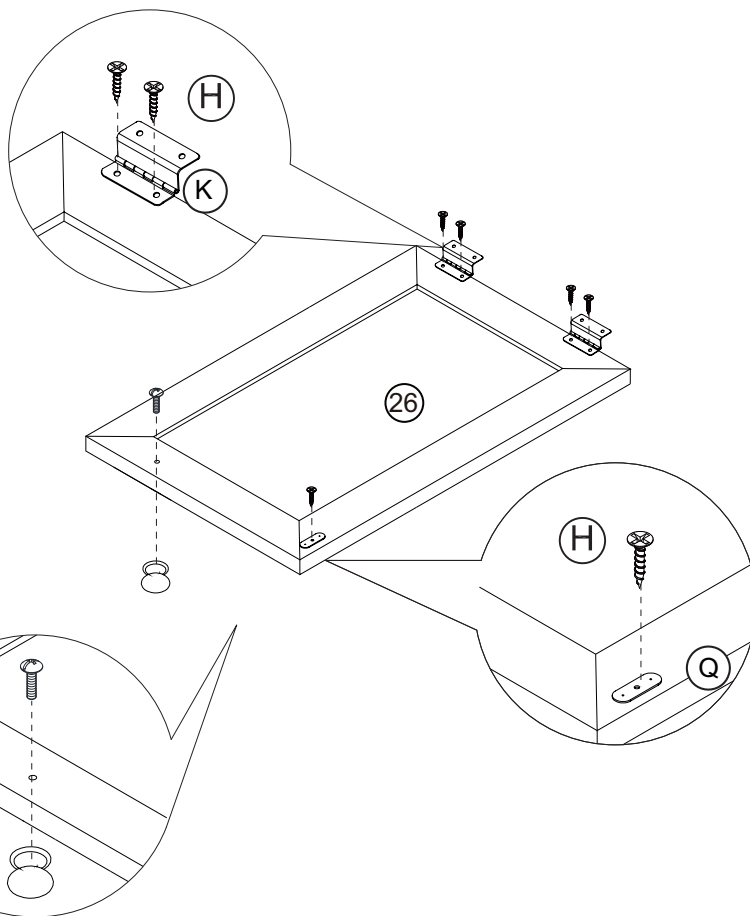
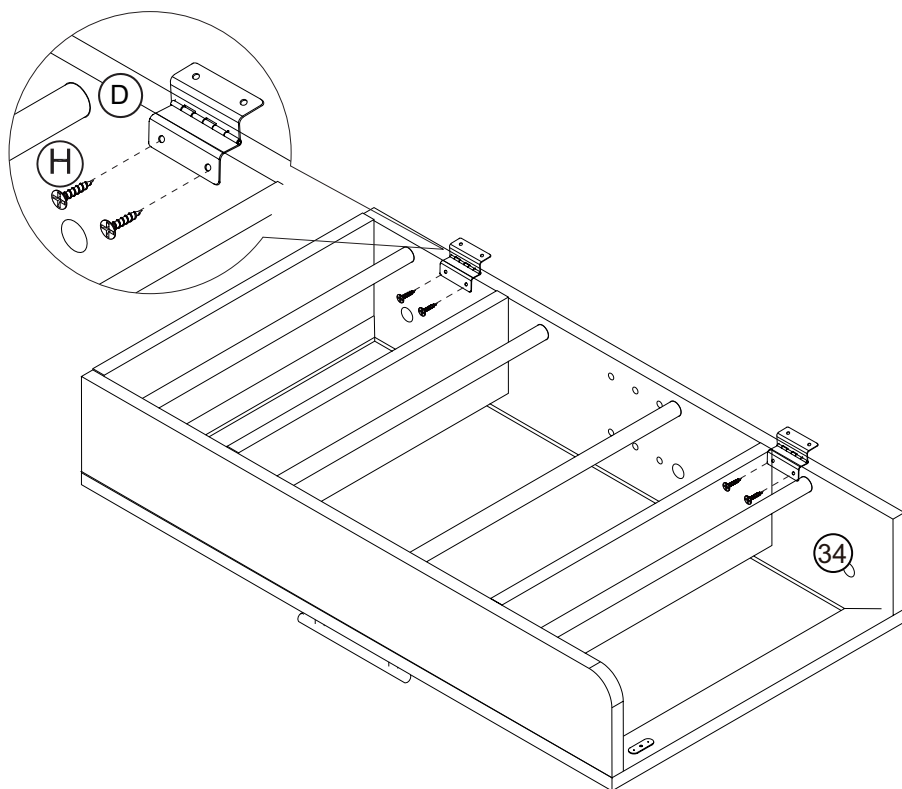
Step 19


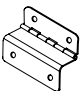

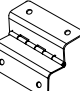



(H)	 3*12mm Screw x9
(K)	 x2
(G)	 Round handle x1 screw 4x20mm
(D)	 x2
(Q)	 x1

Assembly Instructions

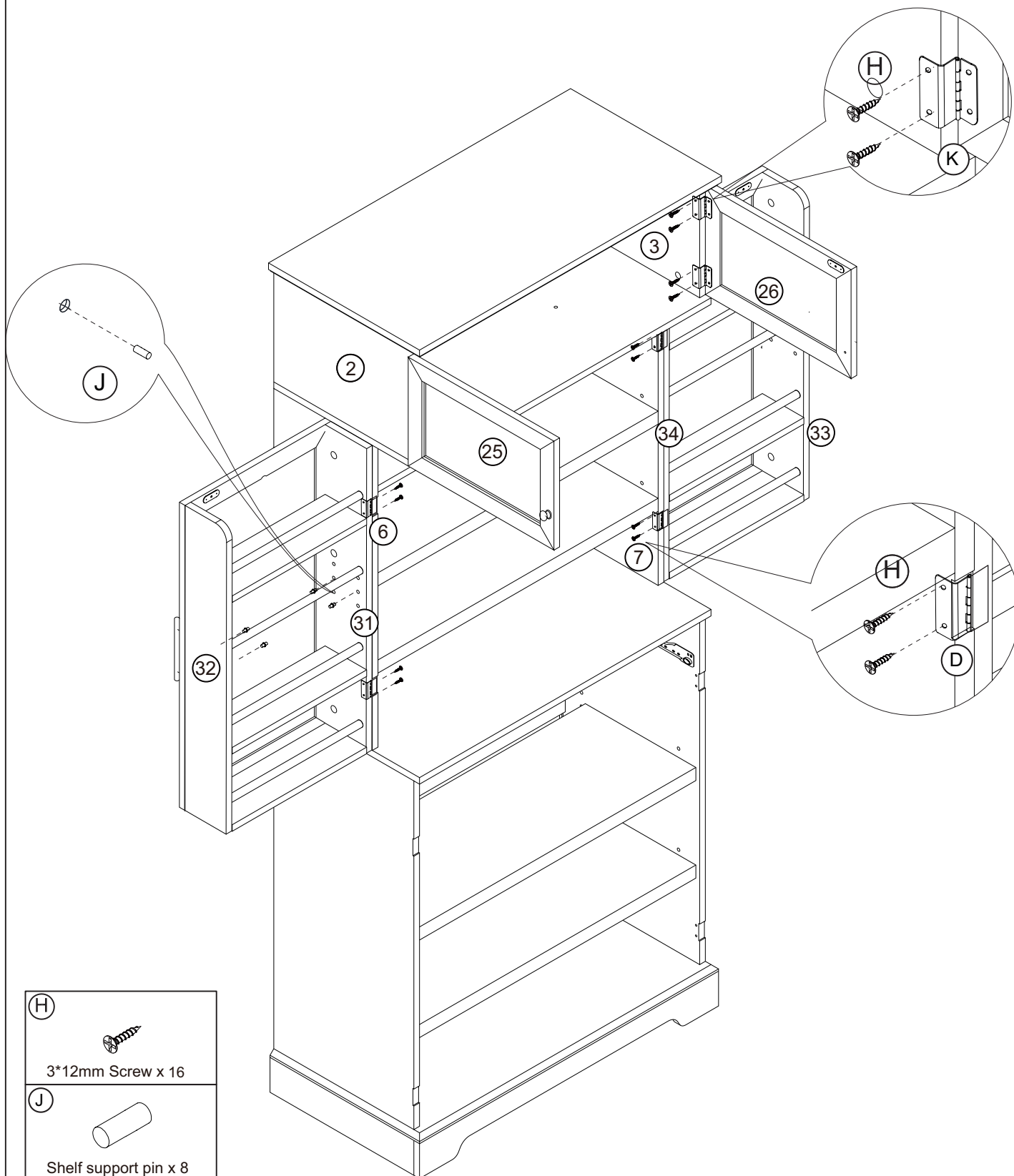
Step 20



(H)		
	3*12mm Screw x9	
(K)		x2
(G)		
	Round handle x1 screw 4x20mm	
(D)		x2
(Q)		x1

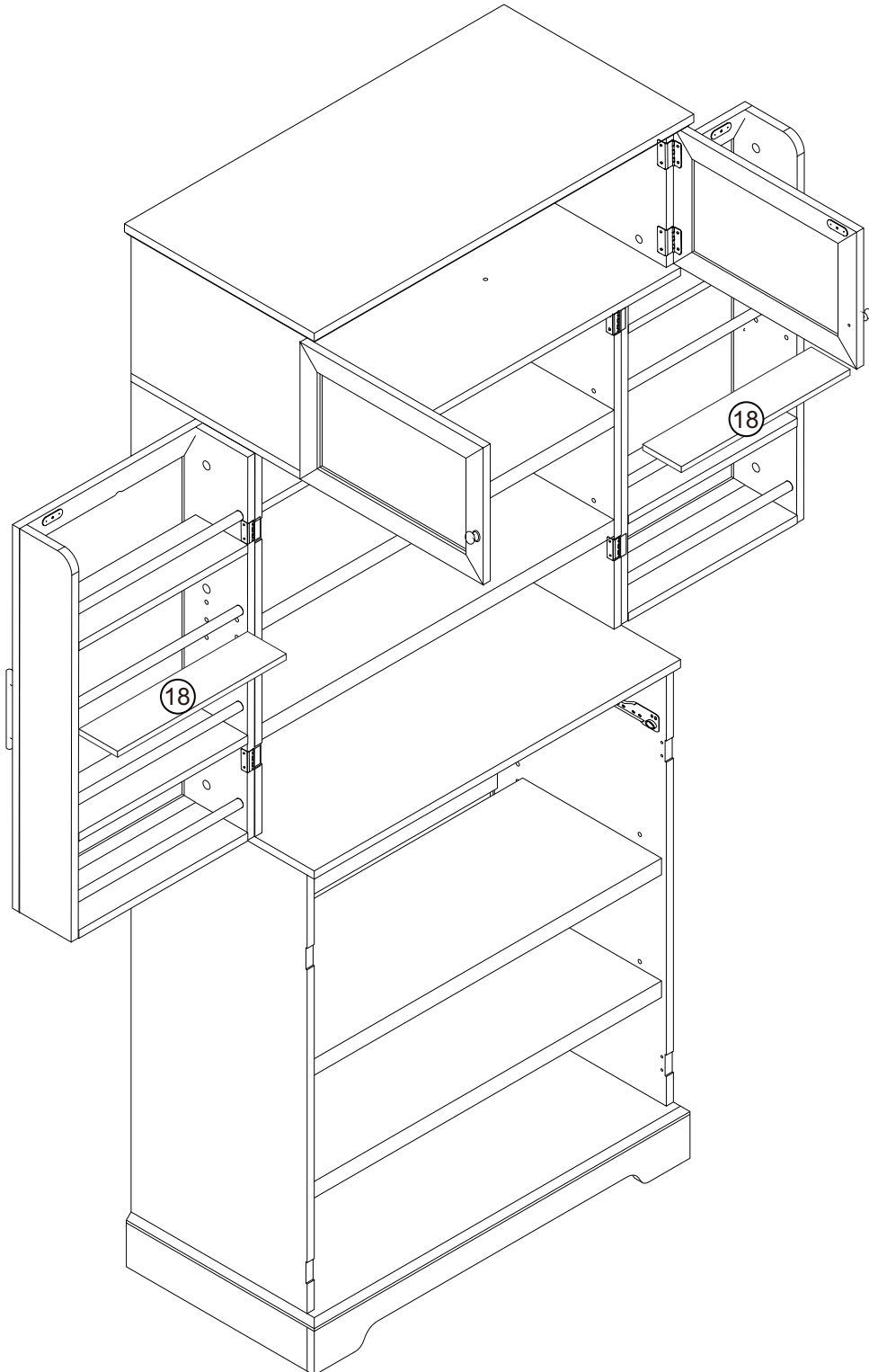
Assembly Instructions

Step 21



Assembly Instructions

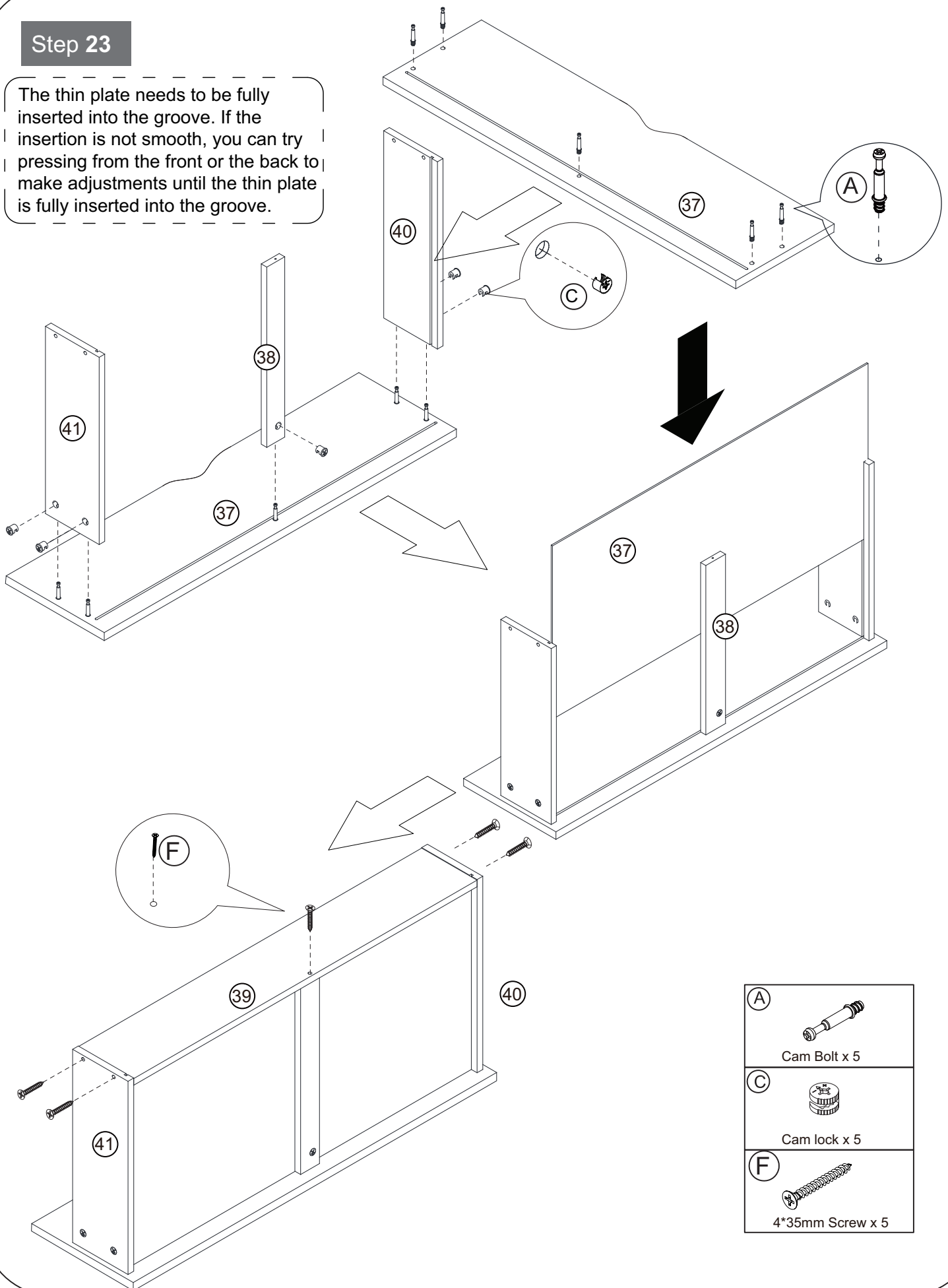
Step 22



Assembly Instructions

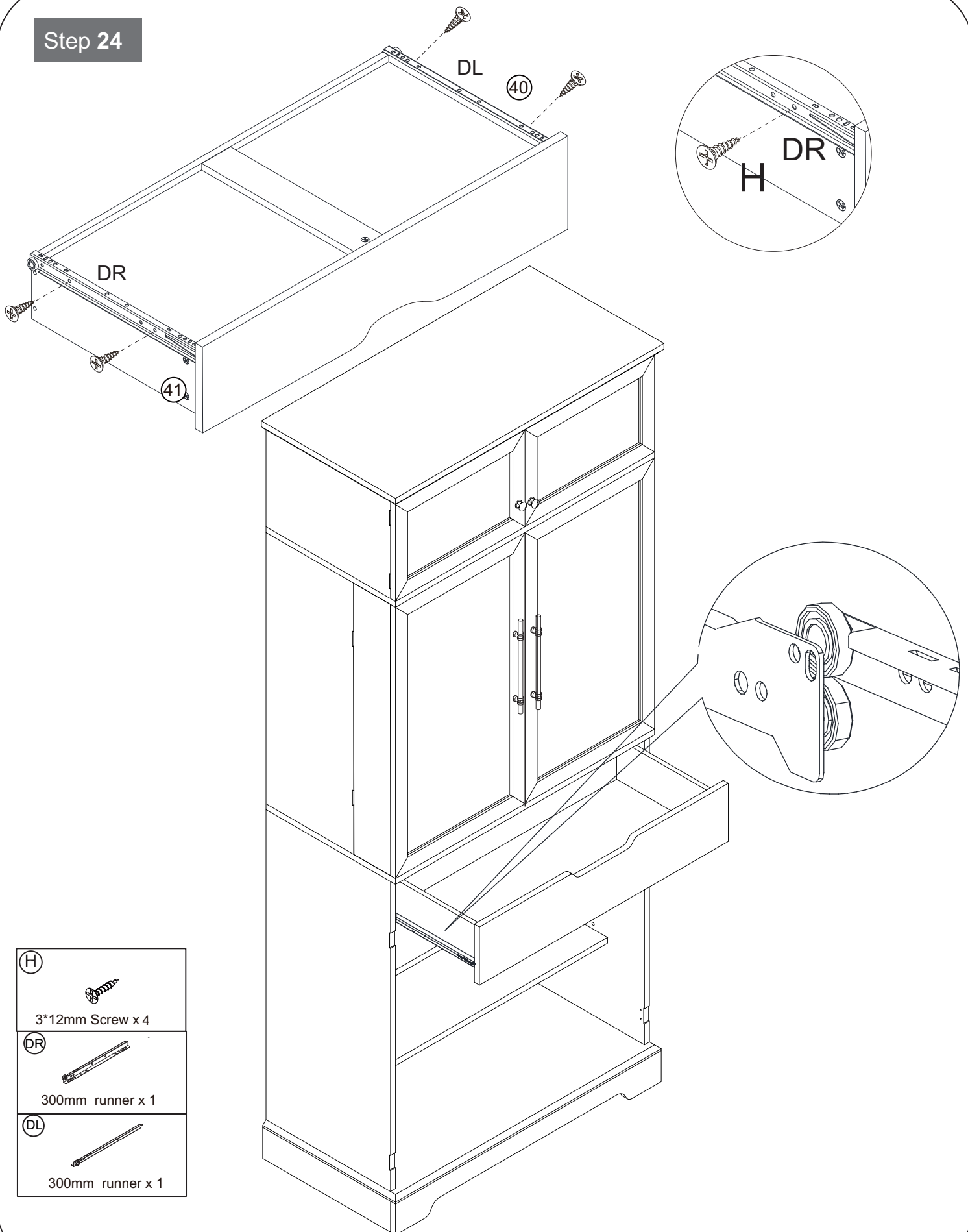
Step 23

The thin plate needs to be fully inserted into the groove. If the insertion is not smooth, you can try pressing from the front or the back to make adjustments until the thin plate is fully inserted into the groove.



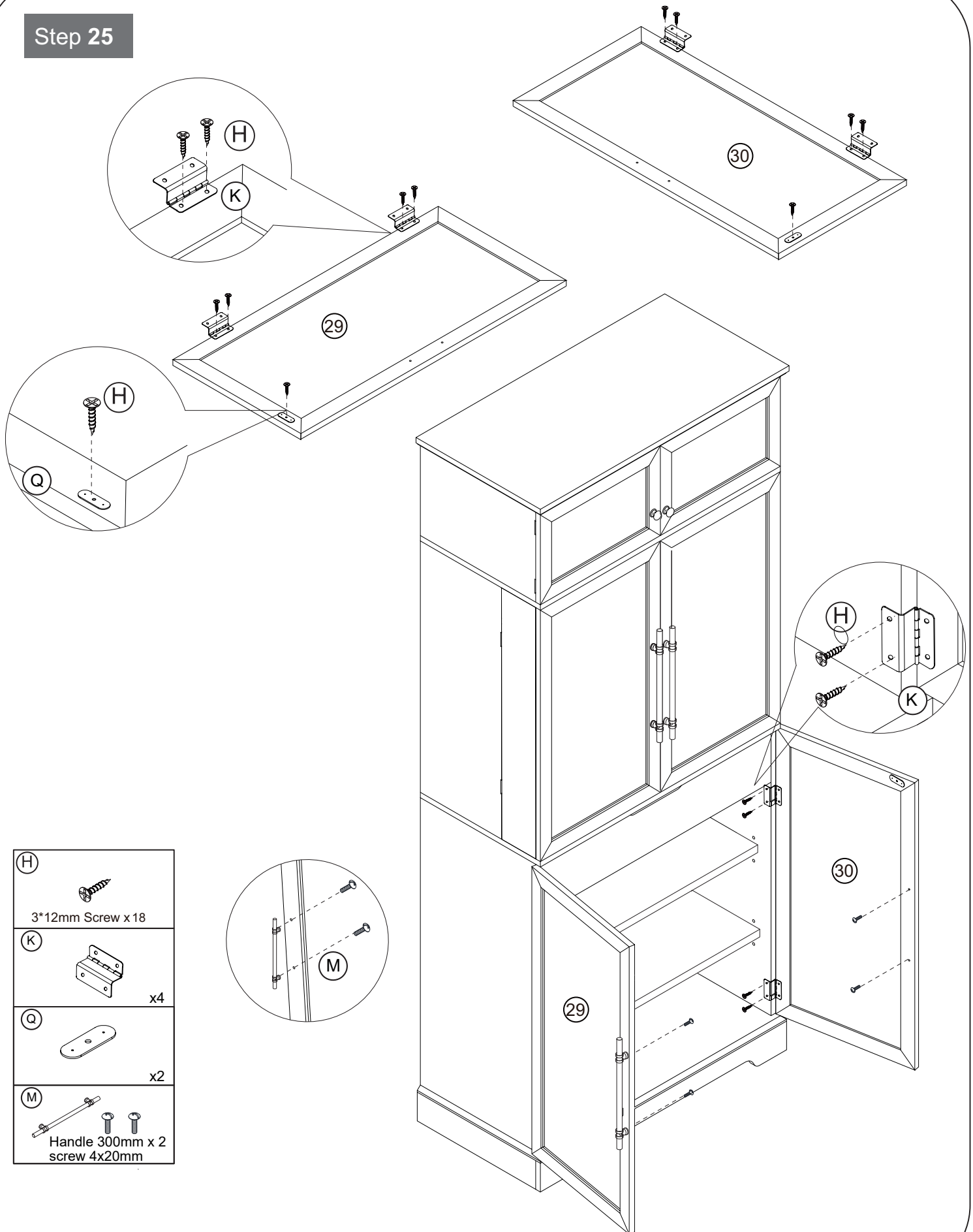
Assembly Instructions

Step 24



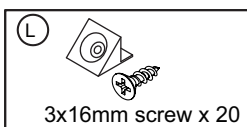
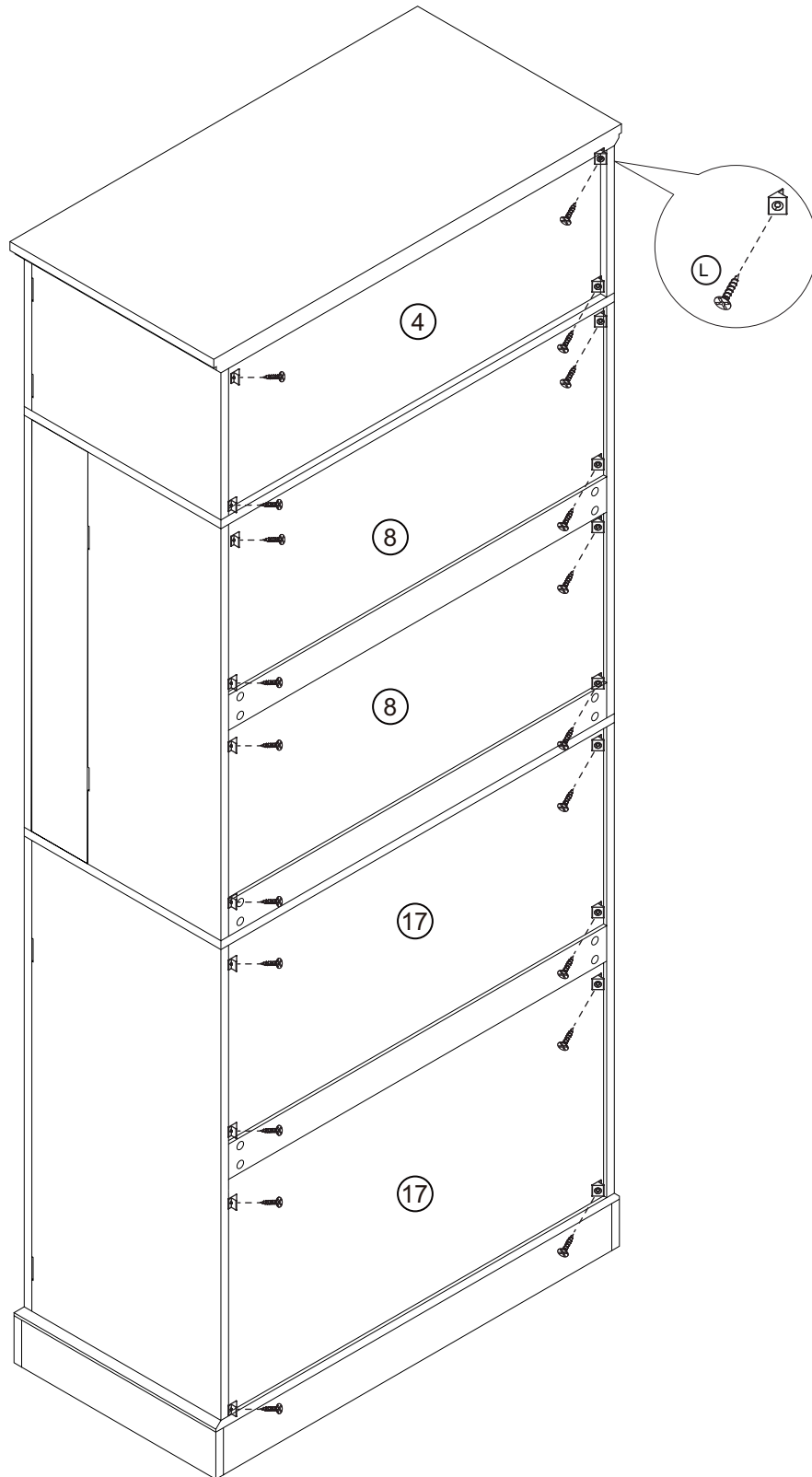
Assembly Instructions

Step 25



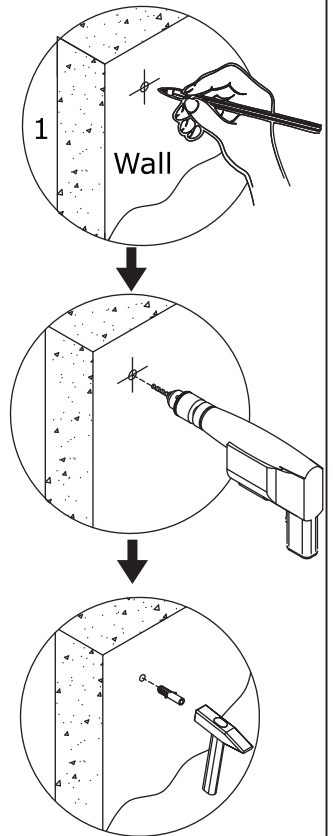
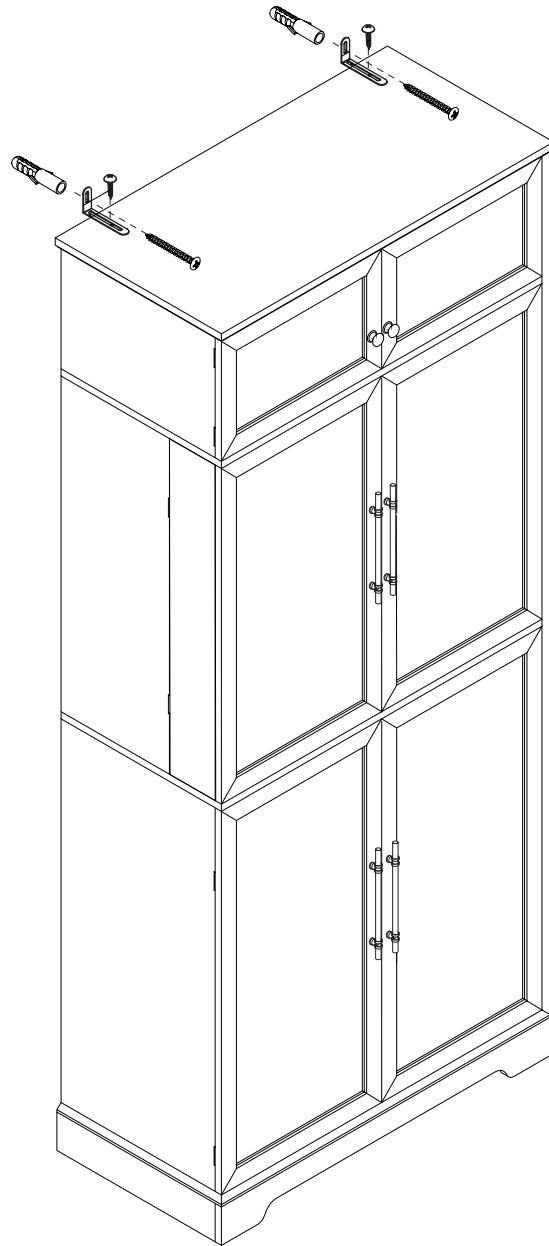
Assembly Instructions

Step 26



Assembly Instructions

Step 27



Anti-fall accessories x2