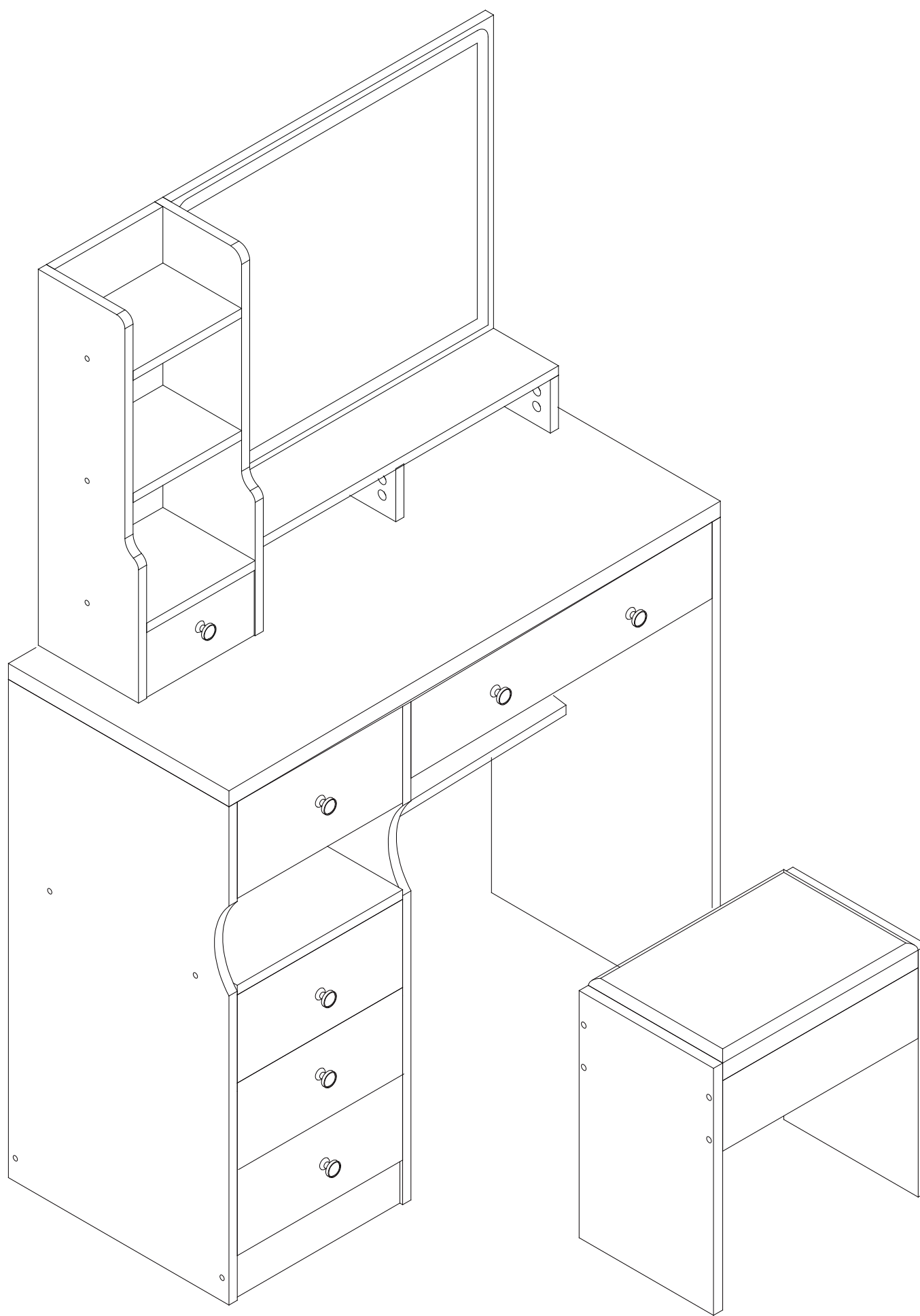
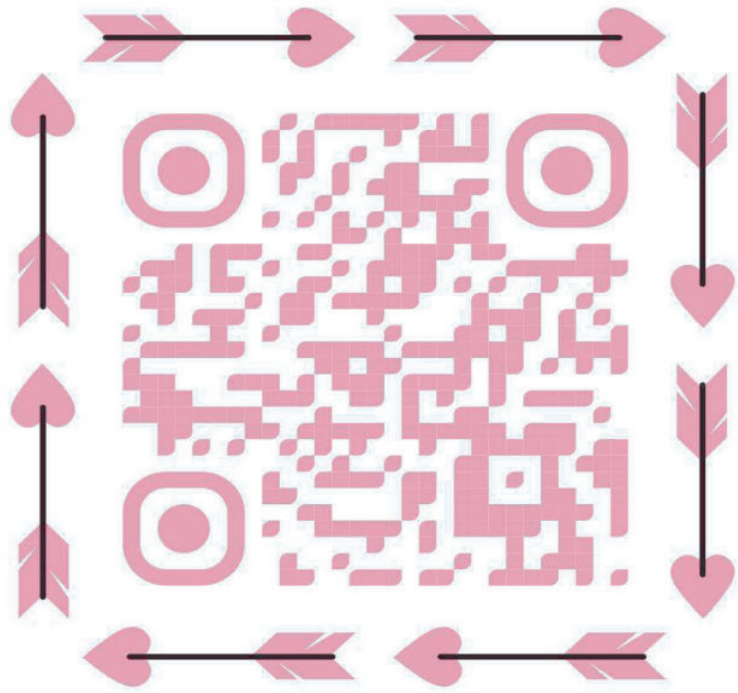


VANITY TABLE

T68L-W-L, T68L-B-L

INSTALLATION MANUAL

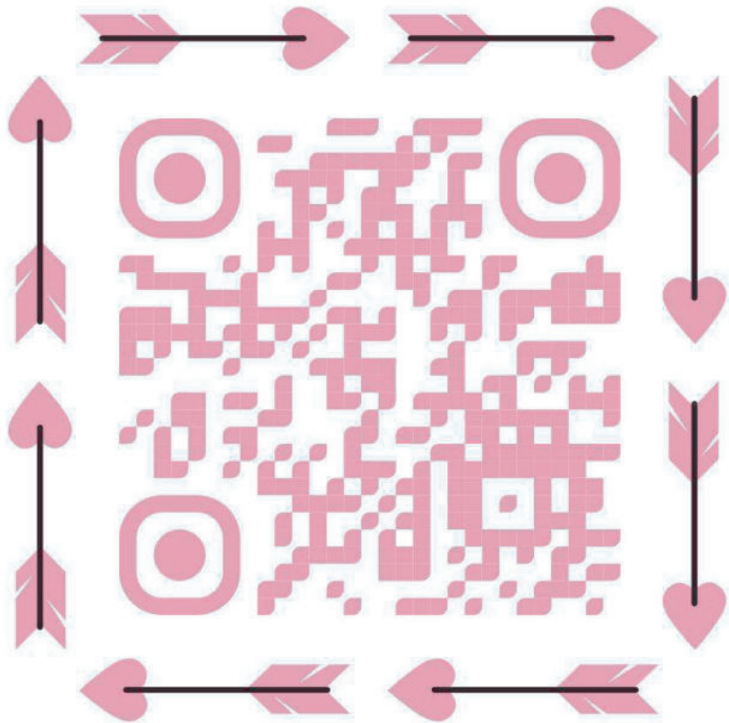




Before assembly please scan the code to get the installation video.



How to install the rail and mirror? please scan the code to get the video.



How to fix the mirror light problem? please scan the code to get the video

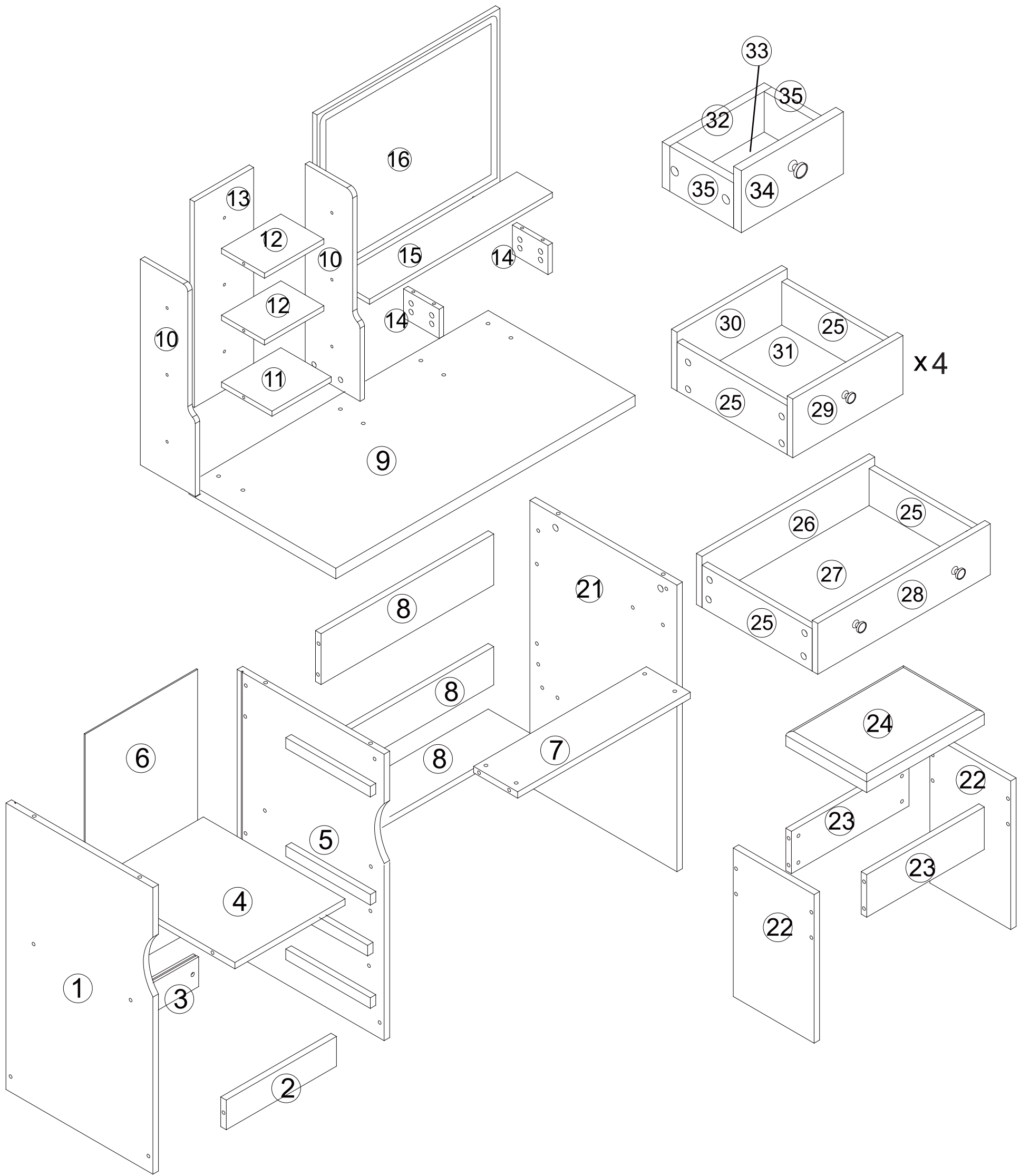


T68m real show

Also note that:

1. Screw G is a drawer positioning pin that prevents the drawer from falling off when opened. After installation, please confirm that all positioning screws G have been installed.





1 - x1	6 - x1	11 - x1	16 - x1	21 - x1	26- x1	31 - x4
2 - x1	7 - x1	12 - x2		22 - x2	27- x1	32 - x1
3 - x1	8 - x3	13 - x1		23 - x2	28- x1	33 -x1
4 - x1	9 - x1	14 - x2		24 - x1	29- x4	34 -x1
5 - x1	10 - x2	15 - x1		25- x10	30- x 4	35 -x2



1 -x1



2 -x1



3 -x1



4 -x1



5 -x1



6 -x1



7 -x1



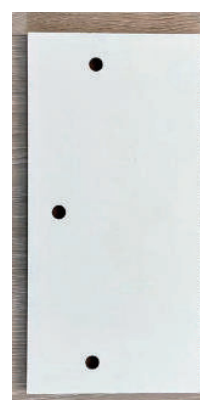
8 -x3



9 -x1



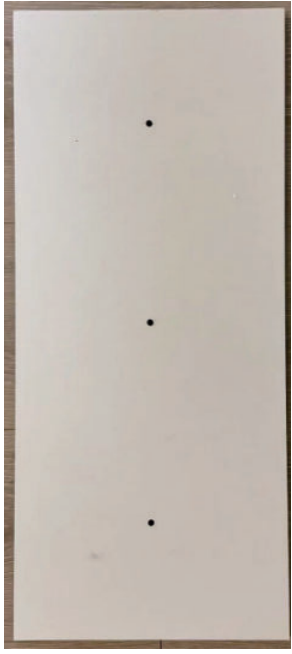
10 -x1



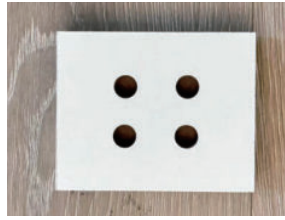
11 -x1



12 -x2



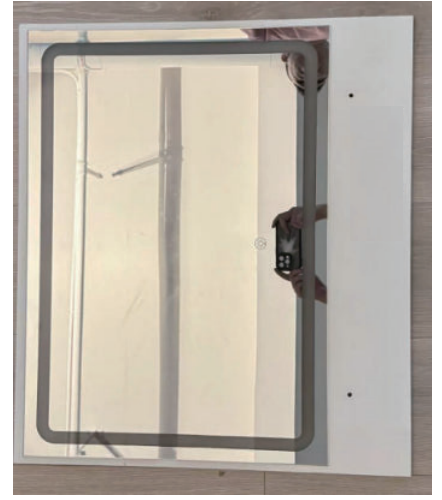
13 -x1



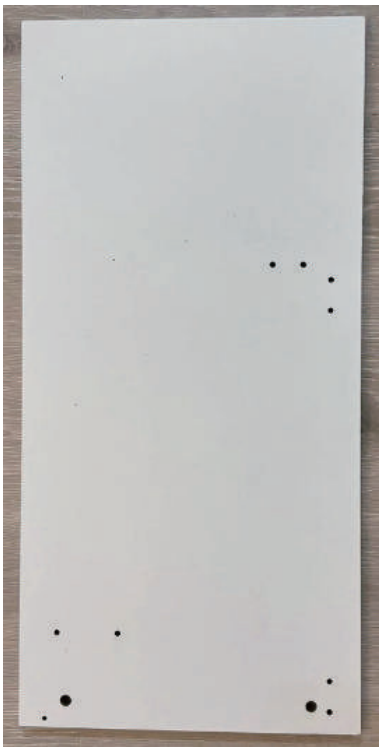
14 -x2



15 -x1



16 -x1



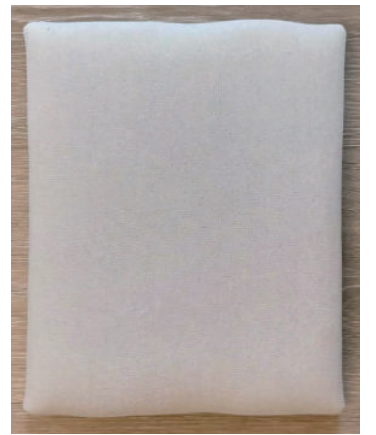
21 -x1



22 -x2



23 -x2



24 -x1



25 -x10



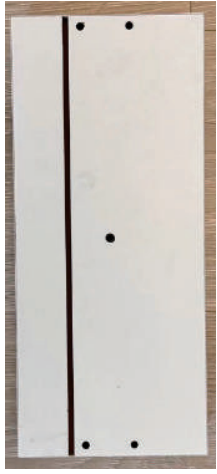
26 -x1



27 -x1



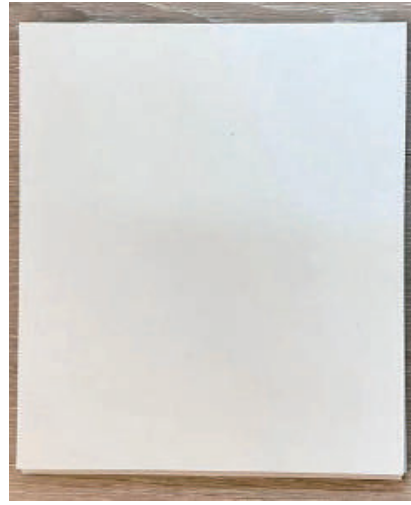
28 -x1



29 -x4



30 -x4



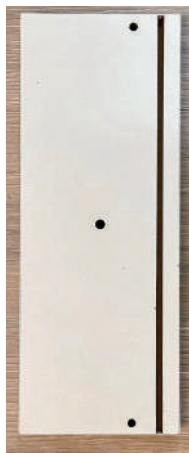
31 -x4



32 -x1



33 -x1



34 -x1

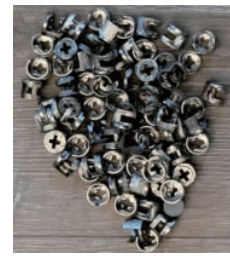


35 -x2

hardware



A 3 IN 1 SCREW x 58



B 3 IN 1 LOCK x 58



C 12MM SCREW x 16



D GUIDE RAIL x 2



E HANDLE SCREW x 7



F L PLATE x 2



G DRAWER POSITIONING SCREW x 10



L DRAWER HANDLE x 7



J 2 IN 1 SCREW x 48



K 2 IN 1 LOCK x 48



N POWER PLUG x 1

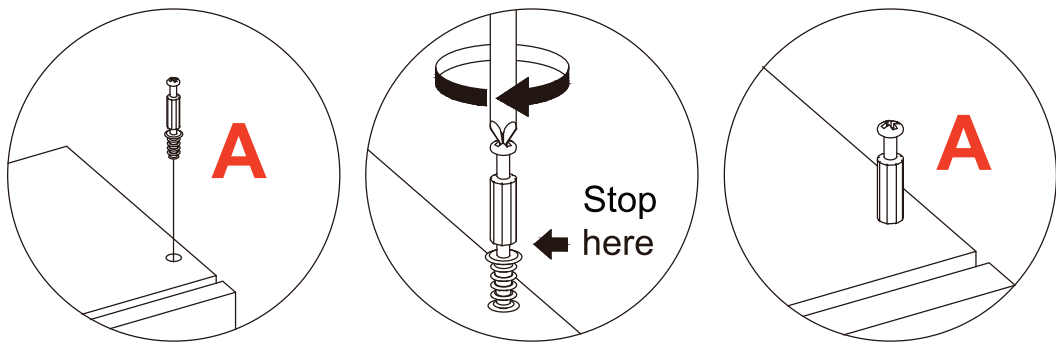
For basic and luxury version



O I PLATE x 2

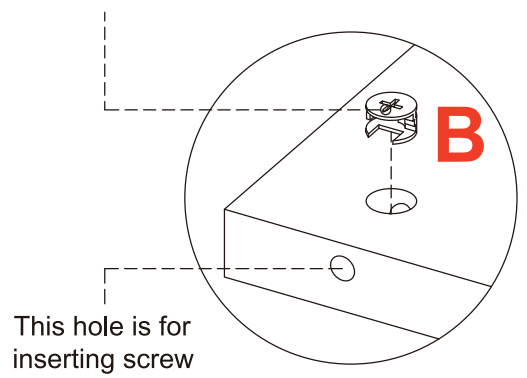
1. Screw installation method

When the screw is installed, please keep it in line with the board, and do not tighten it too tightly

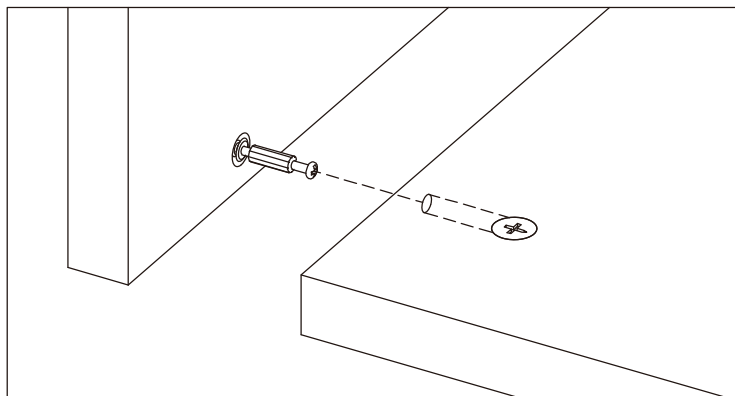


2. Check the Nut direction

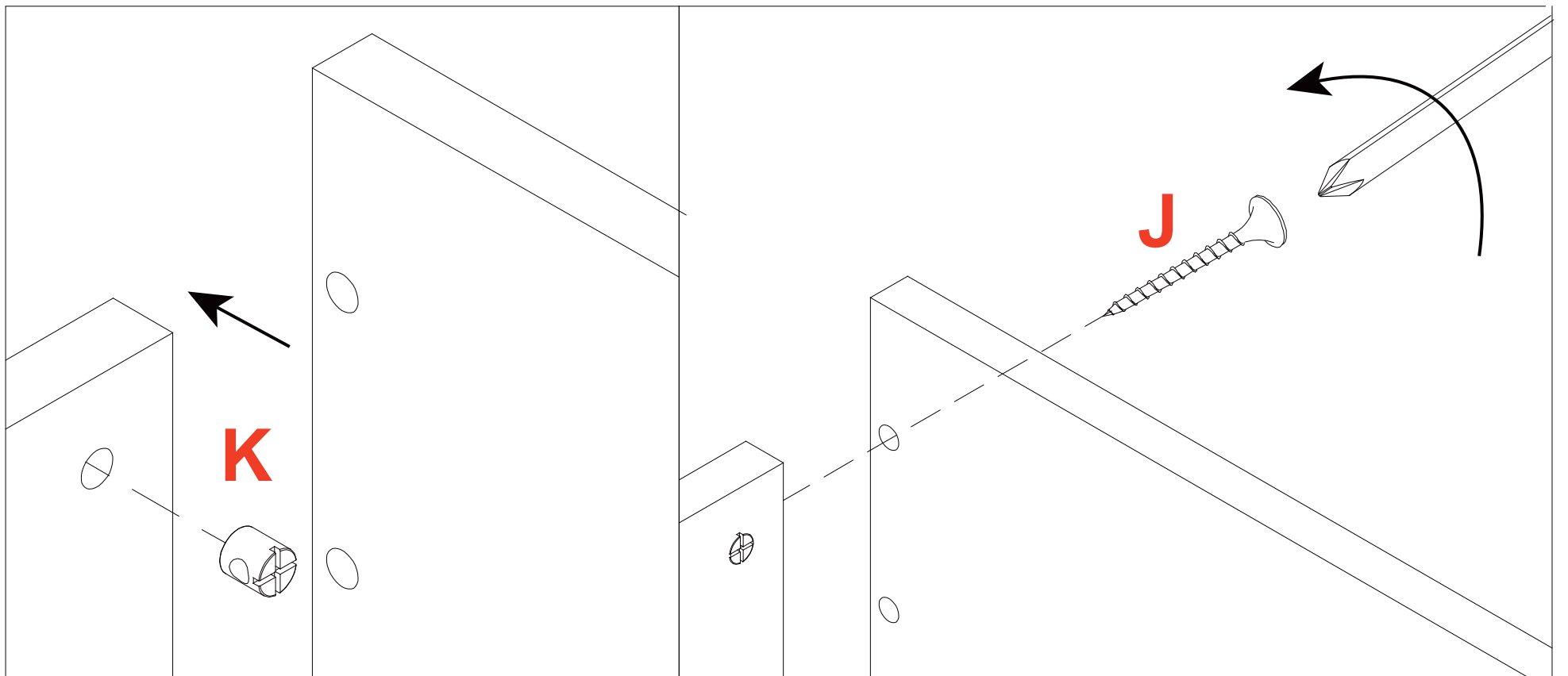
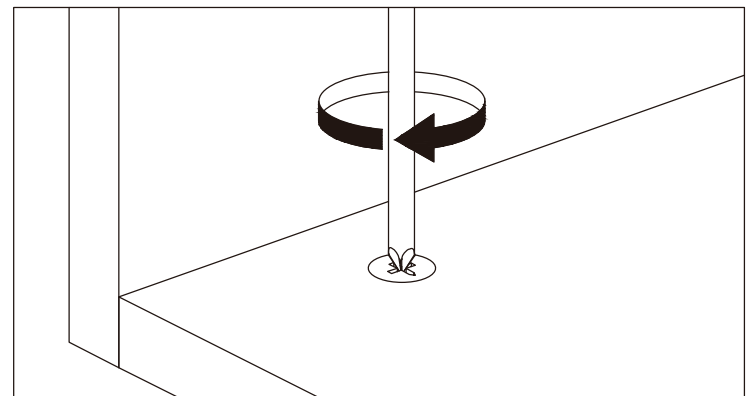
This direction of the marked nut is consistent with the direction in which the screw is inserted



3. Installation on the board with fixing screws



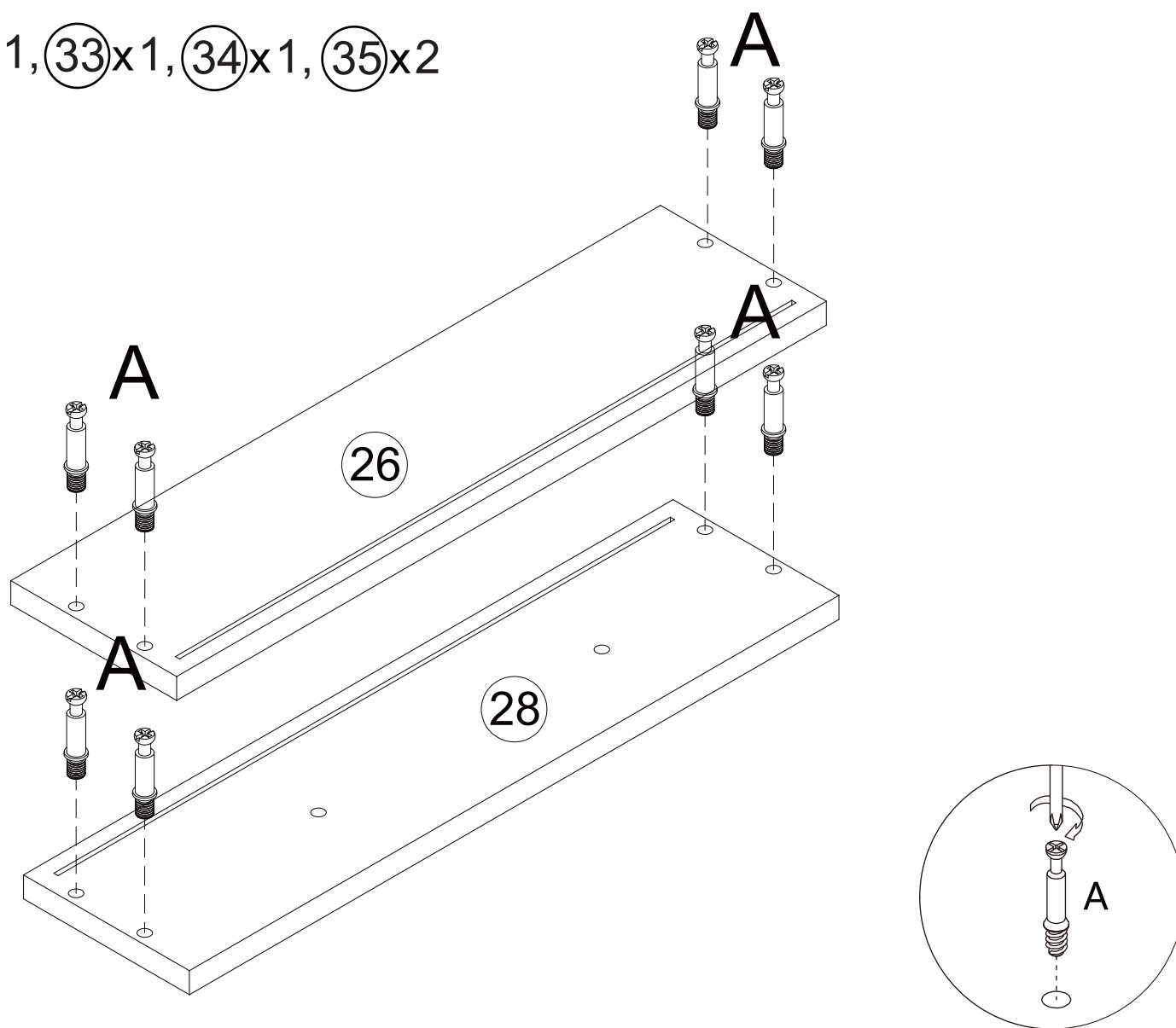
3. Rotate slowly until it stops



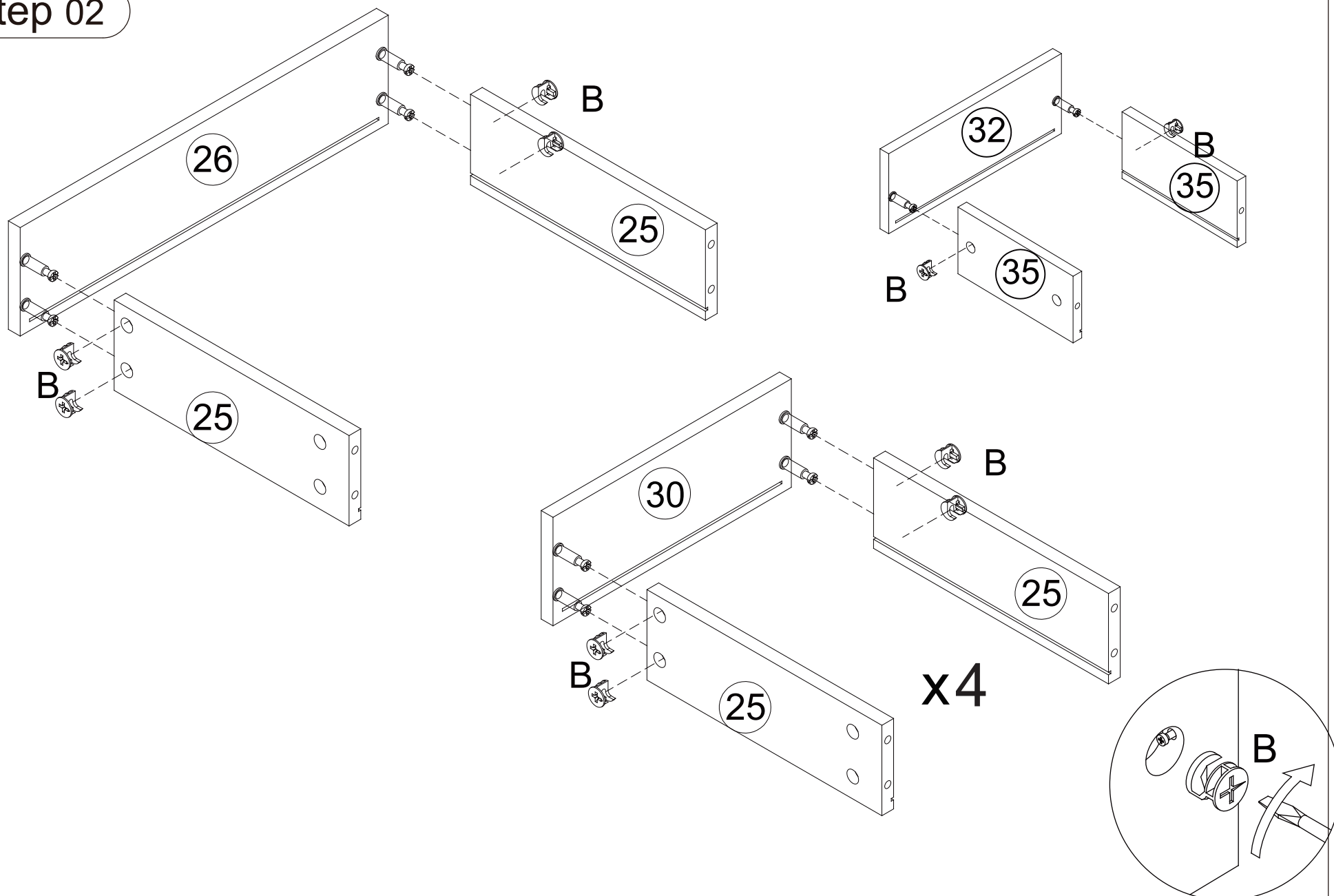
Step 01

pick up (26) x1, (27) x1, (28) x1, (25) x2 and (29) x4, (30) x4, (31) x4, (25) x8

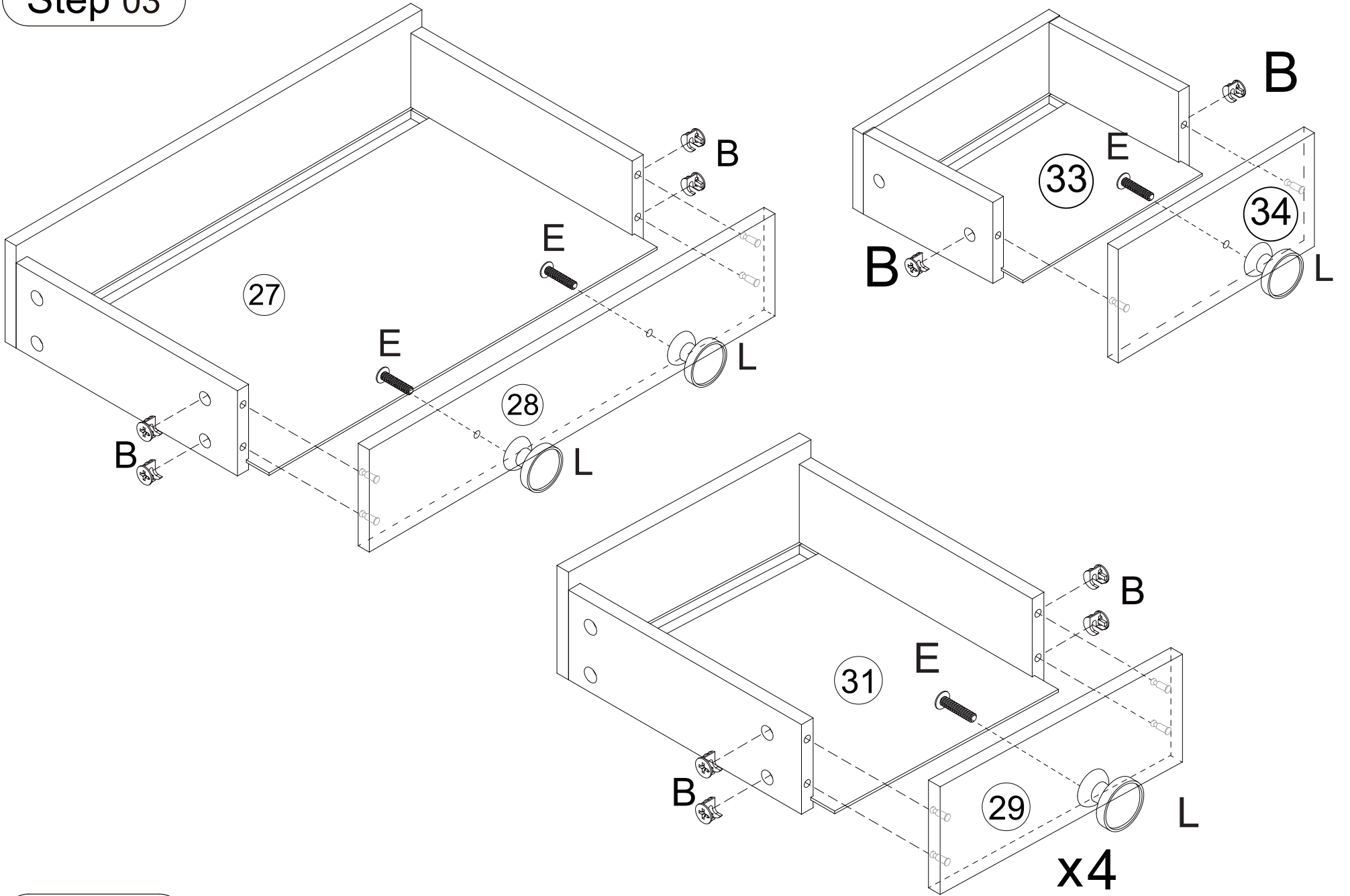
(32) x1, (33) x1, (34) x1, (35) x2



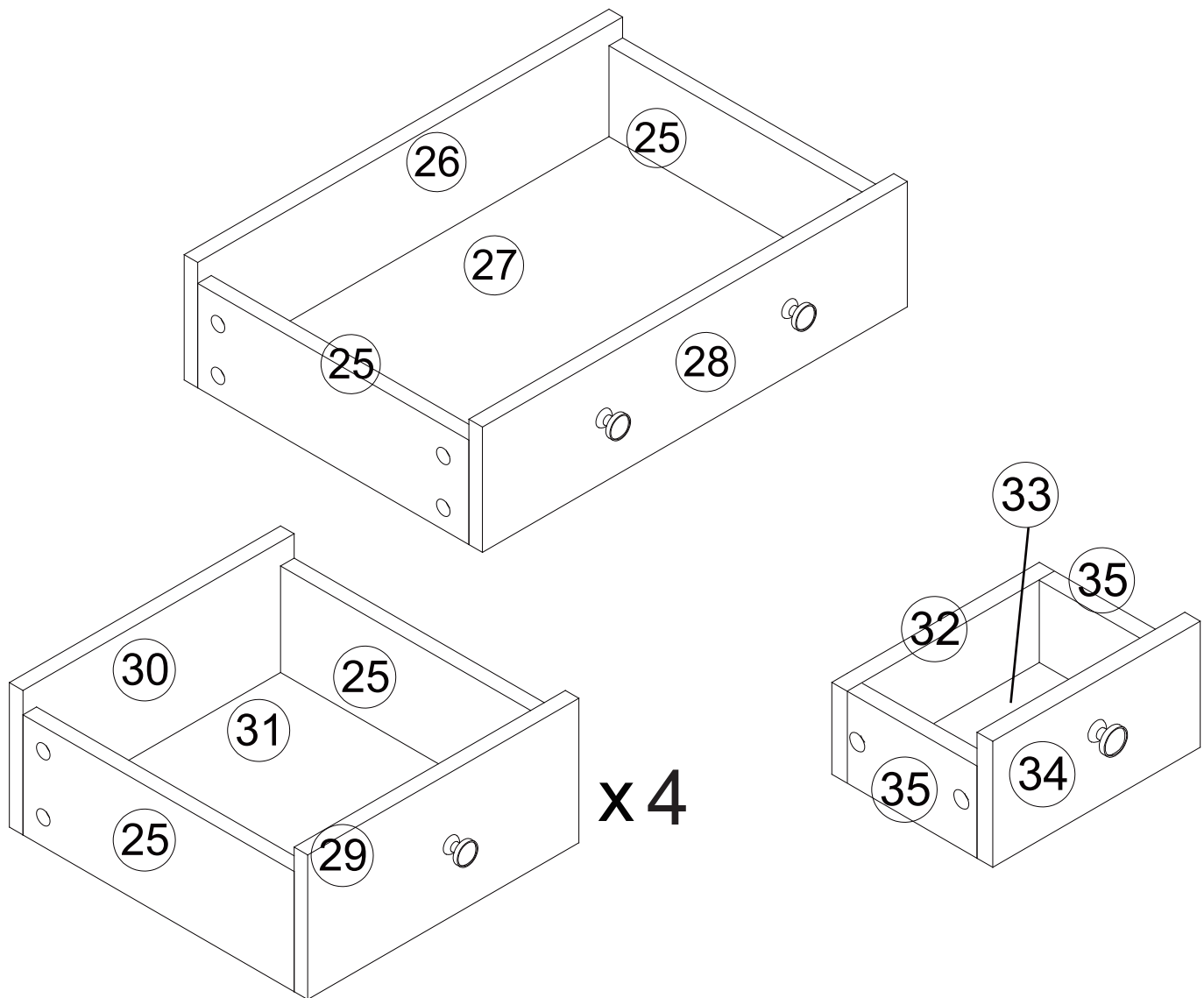
Step 02



Step 03

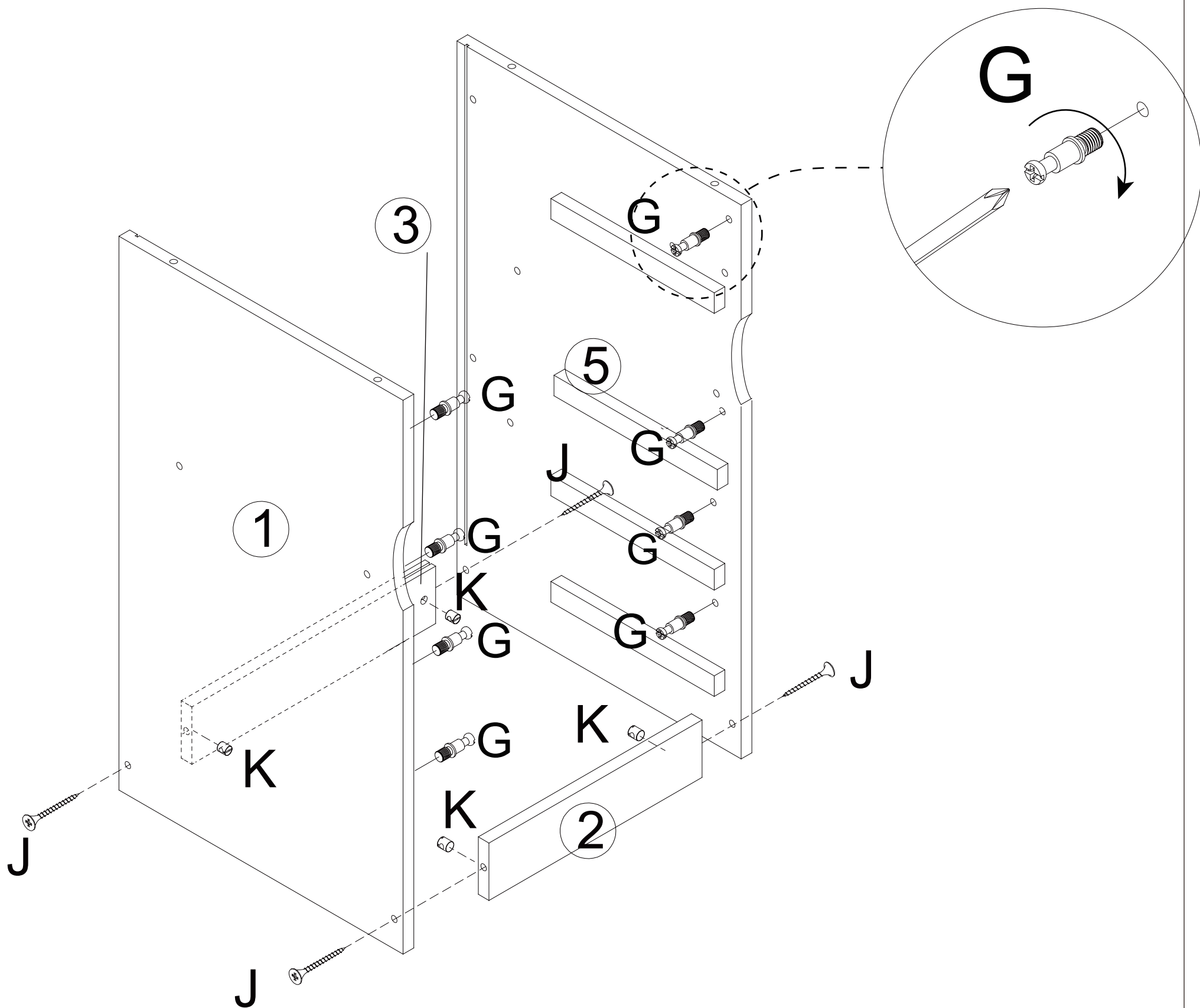


Step 04

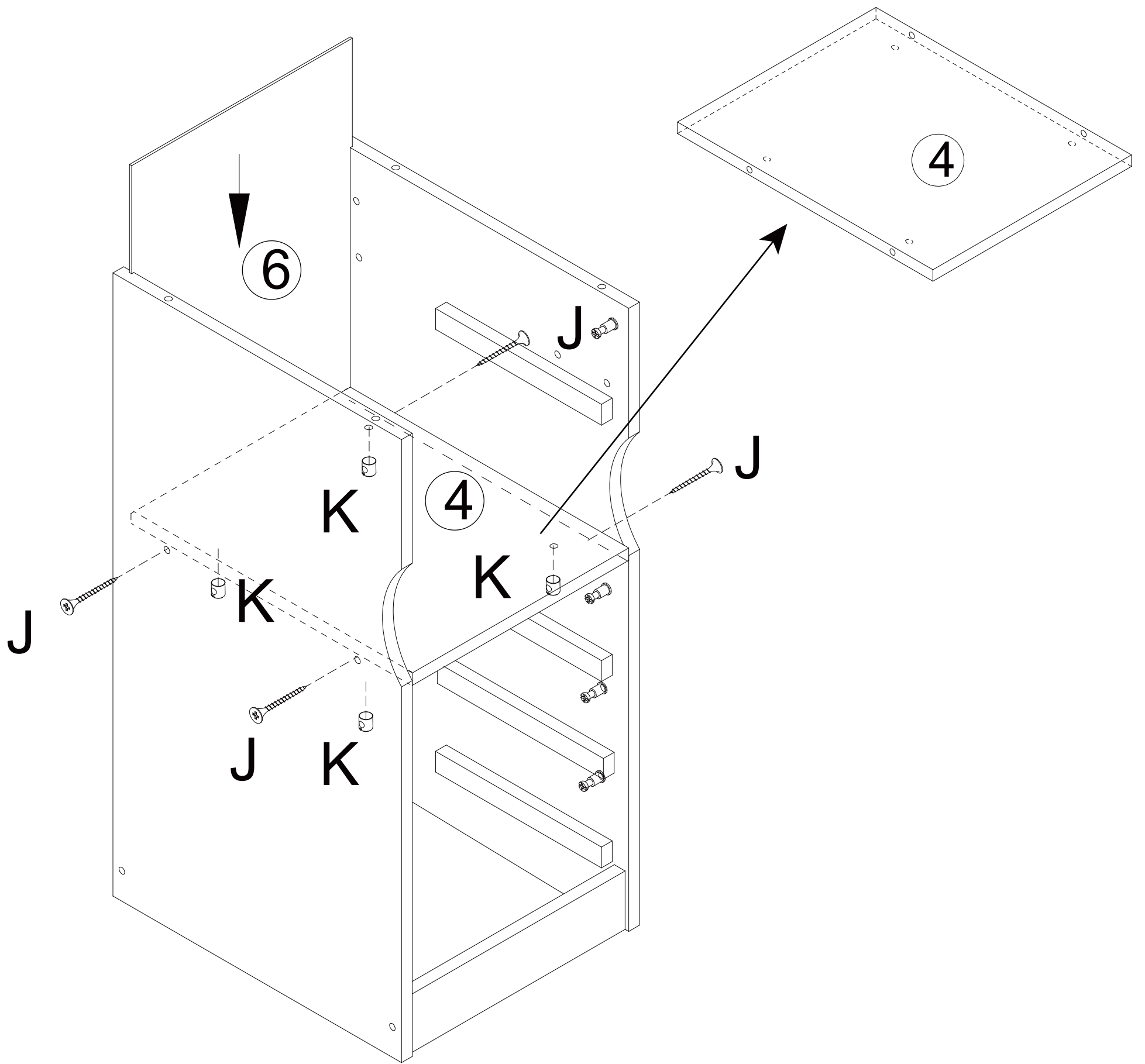


Step 05

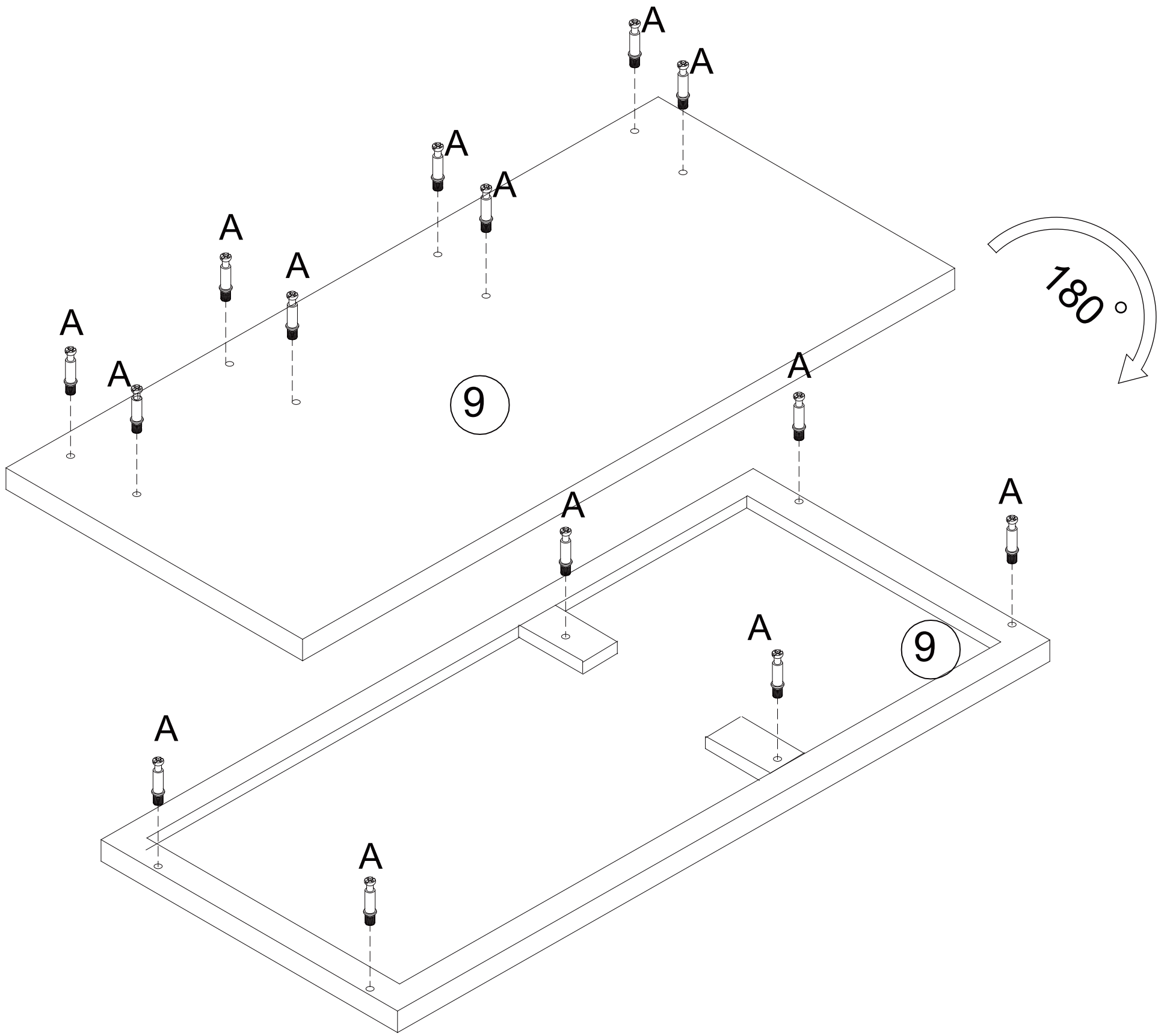
pick up ①x1, ②x1, ③x1, ⑤x1, ⑥x1, ④x1



Step 06

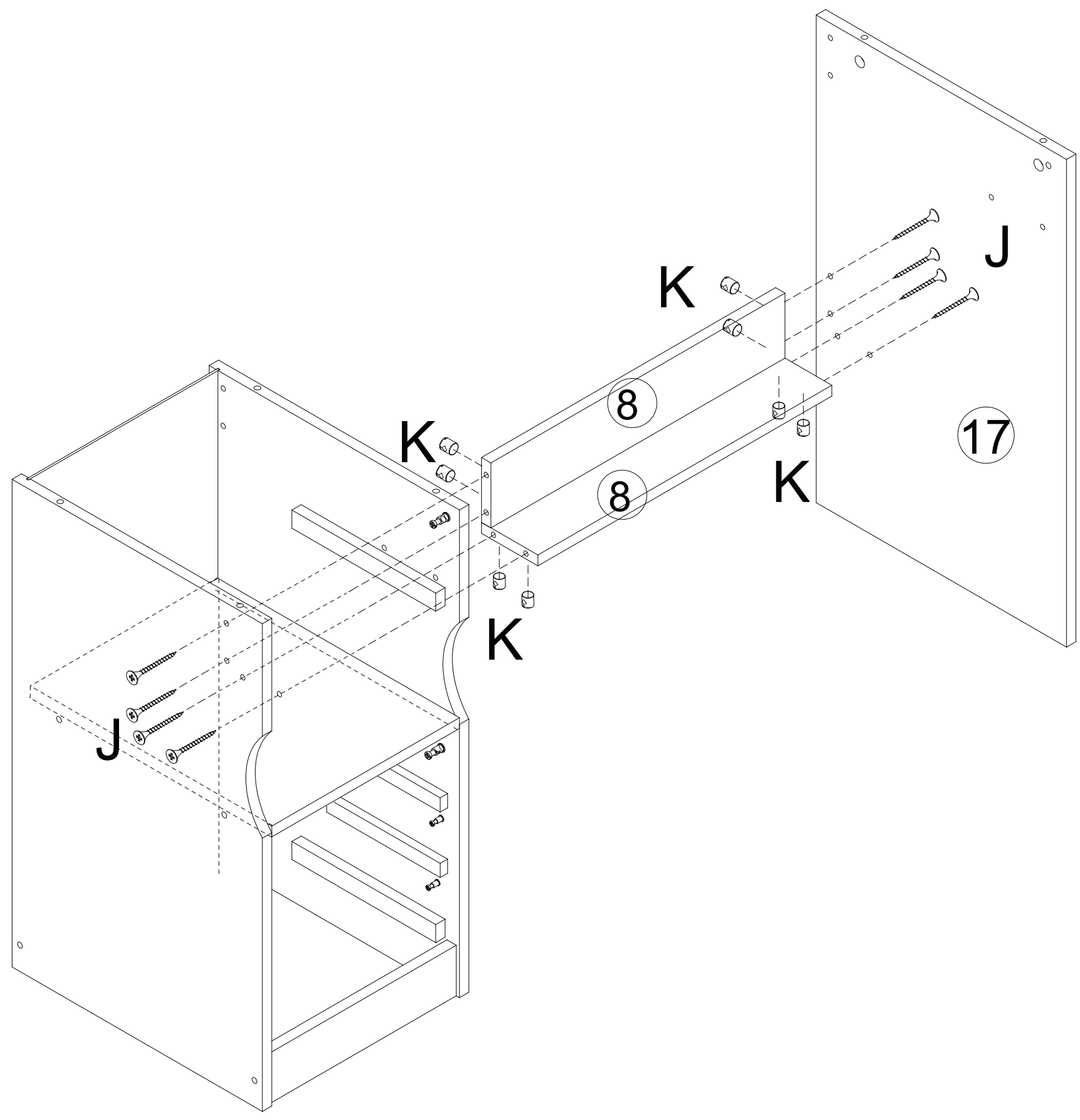


Step 07

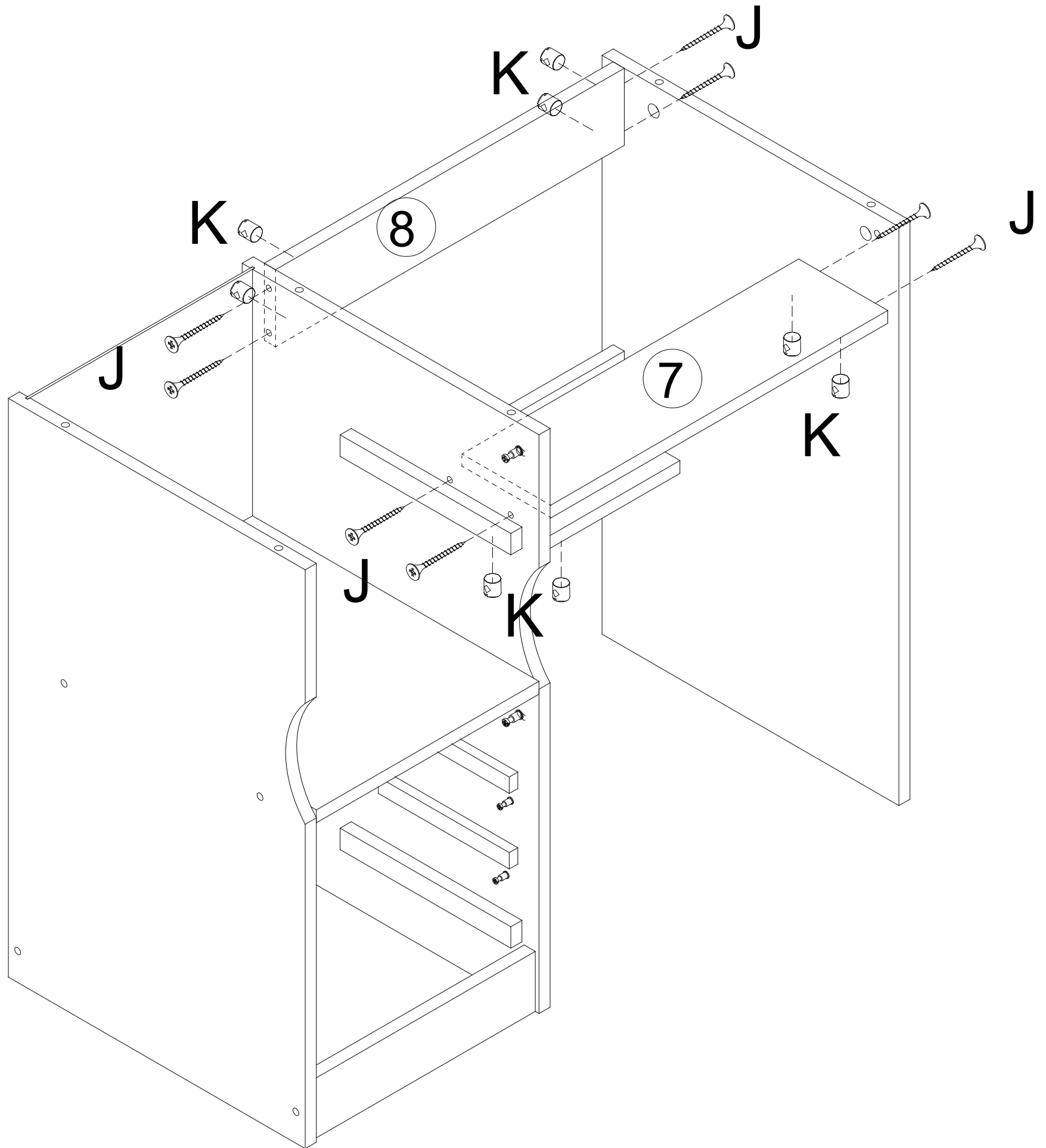


Step 08

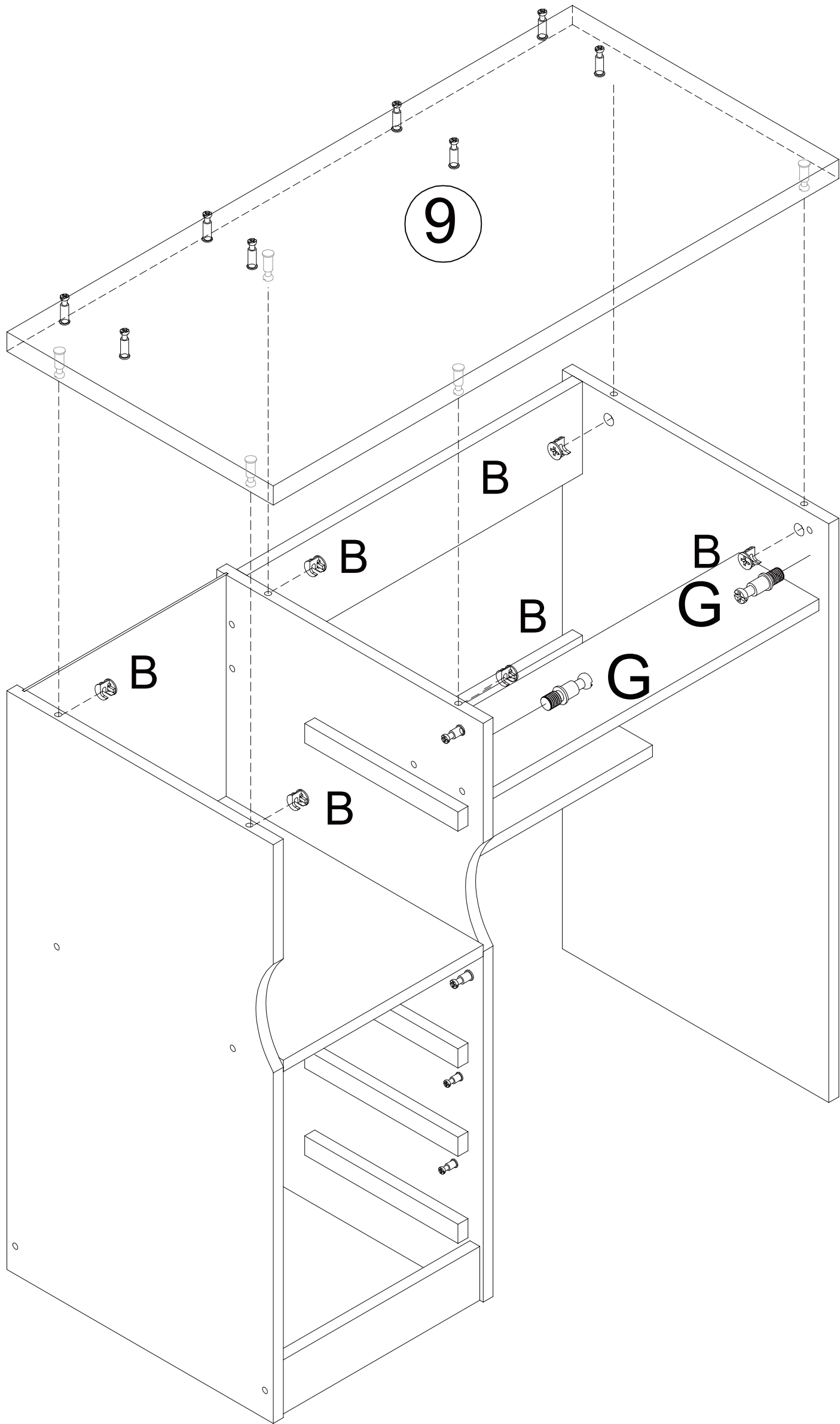
pick up ⑦x1, ⑧x3, ⑰ x1, ⑨x1



Step 09

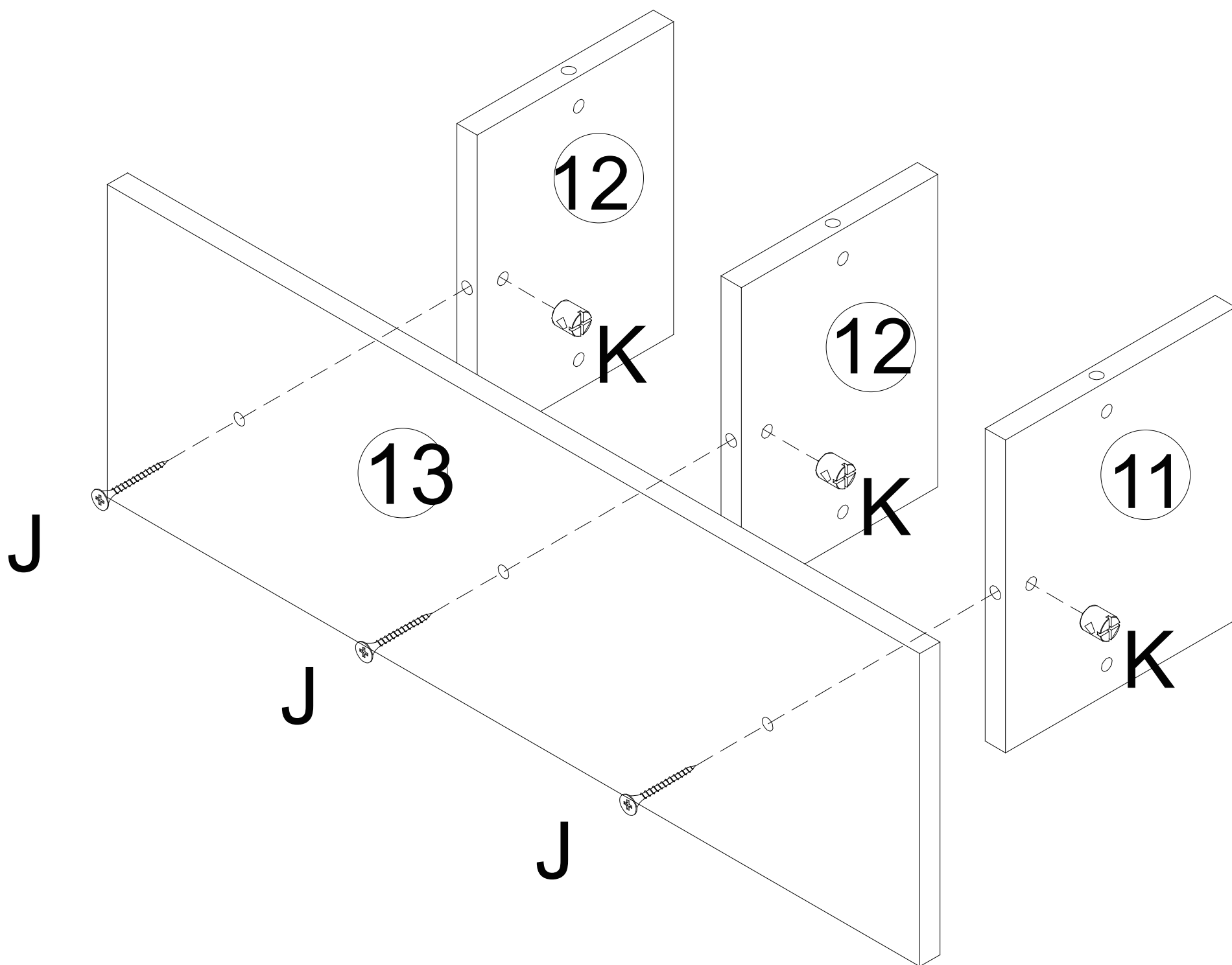


Step 10

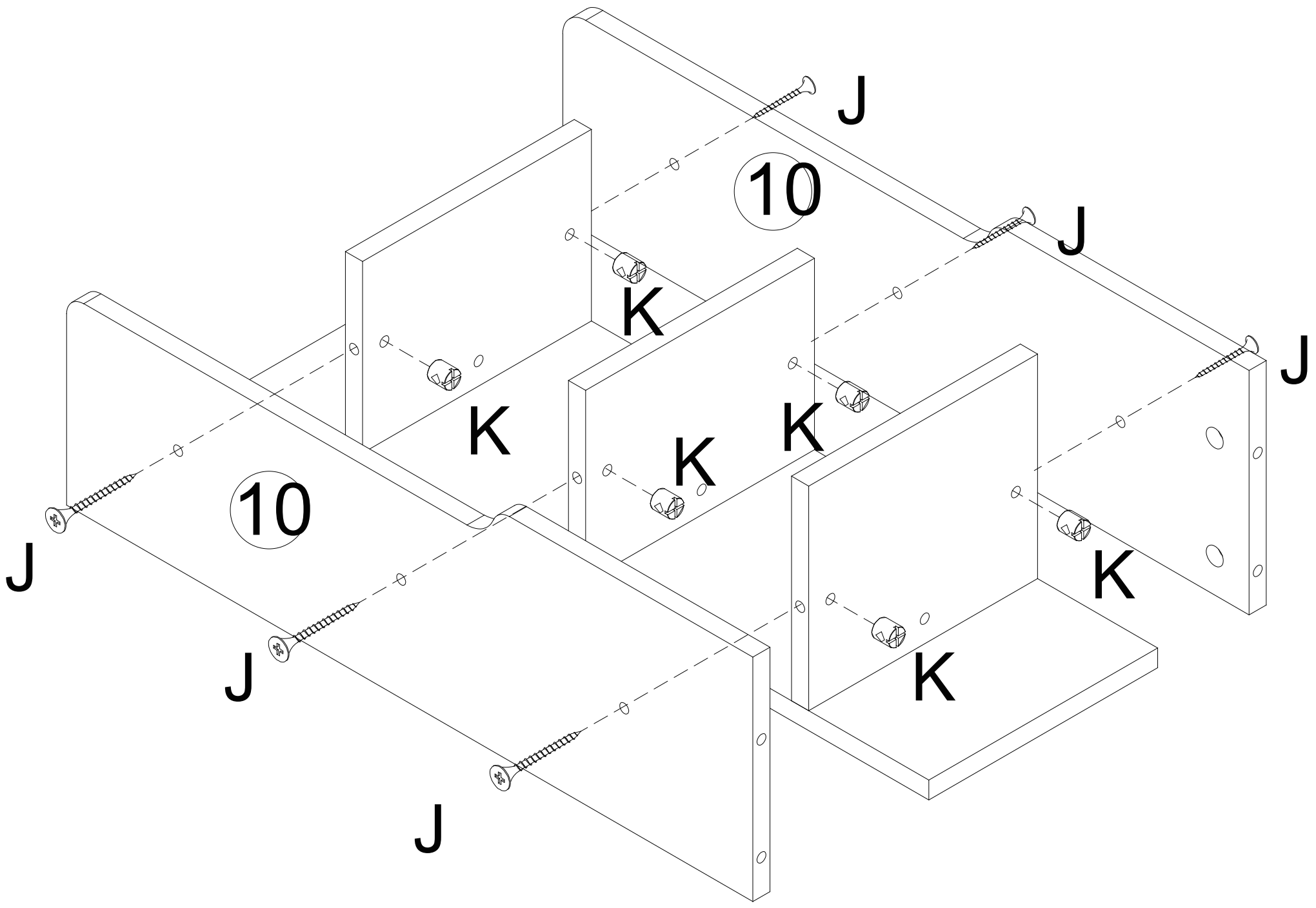


Step 11

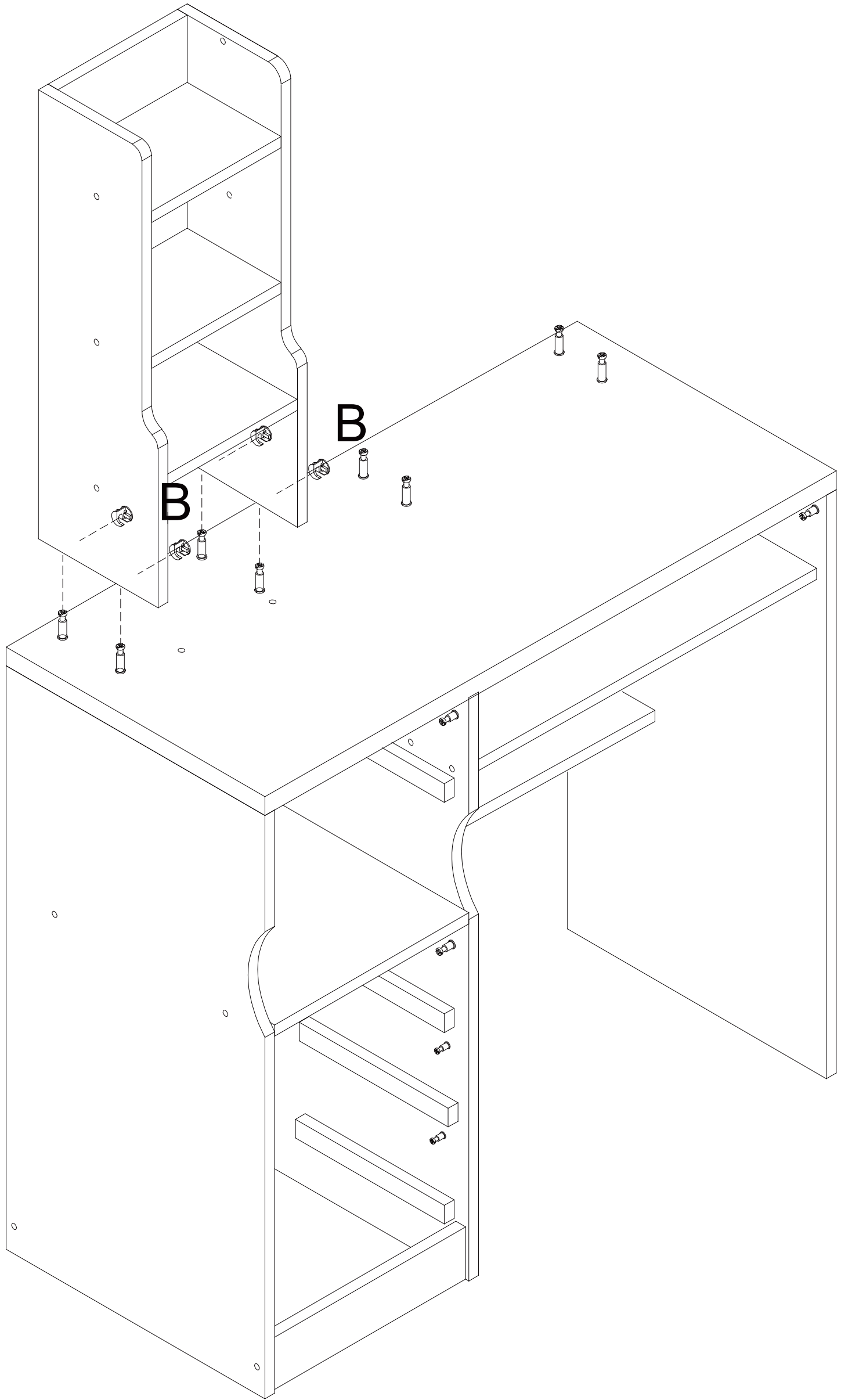
pick up ⑩x 2, ⑪x 1, ⑫x 2, ⑬x 1



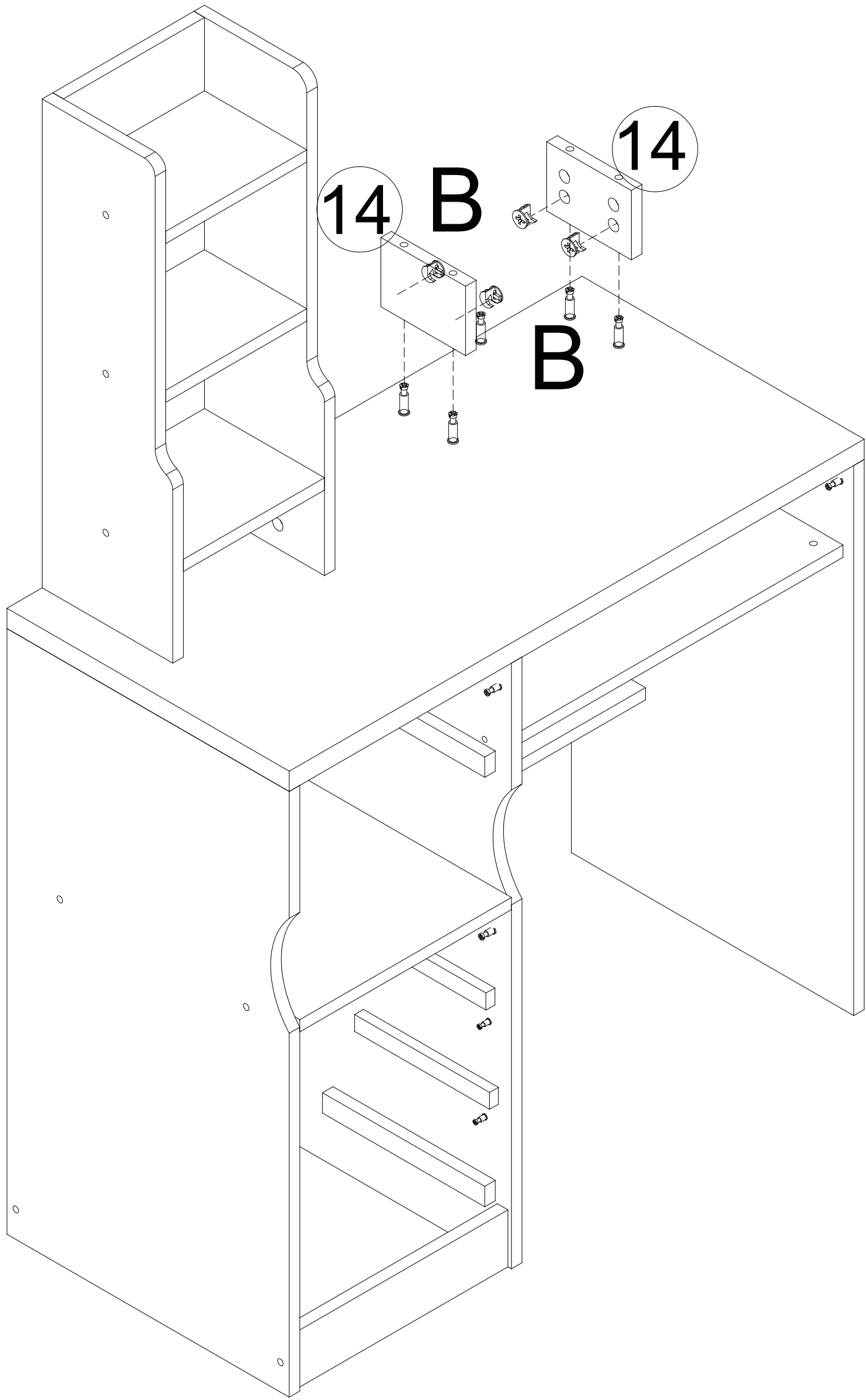
Step 12



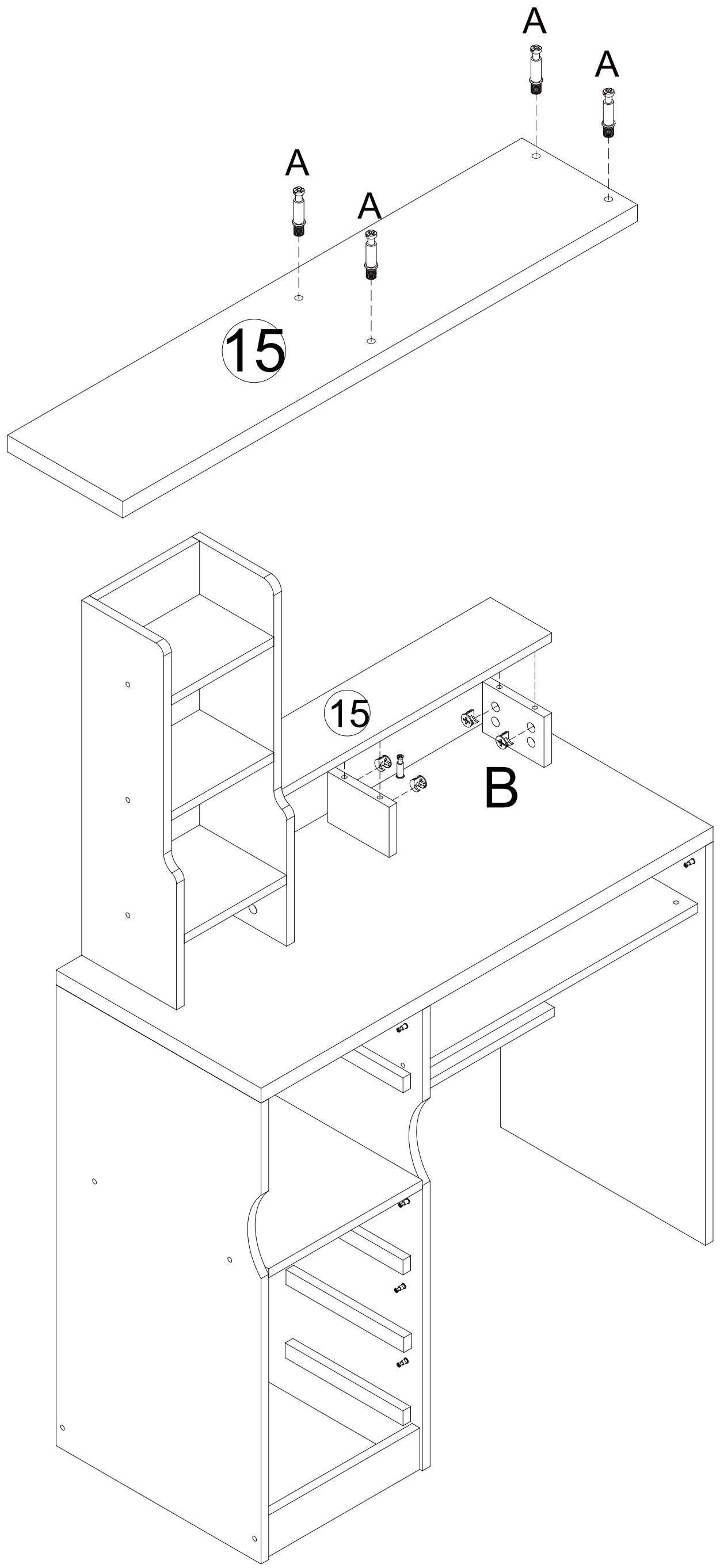
Step 13



Step 14

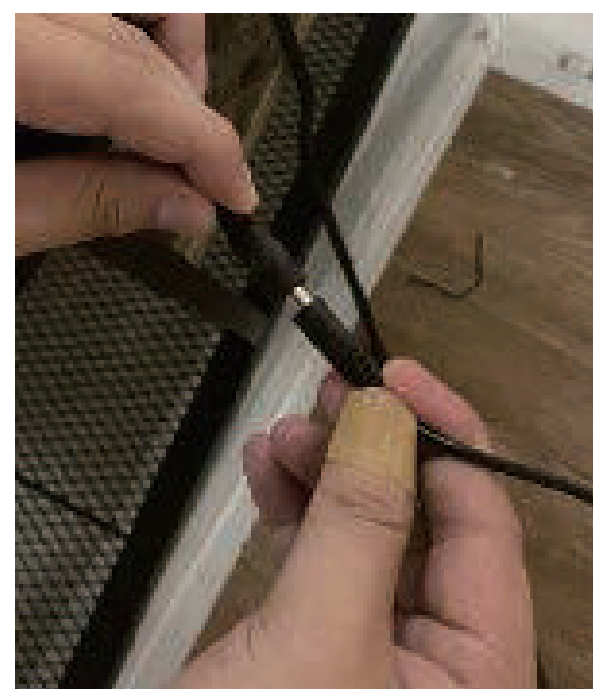
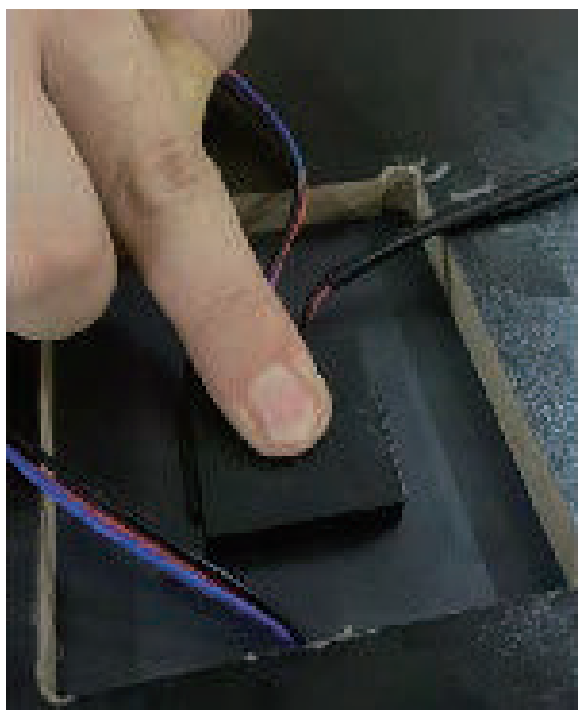
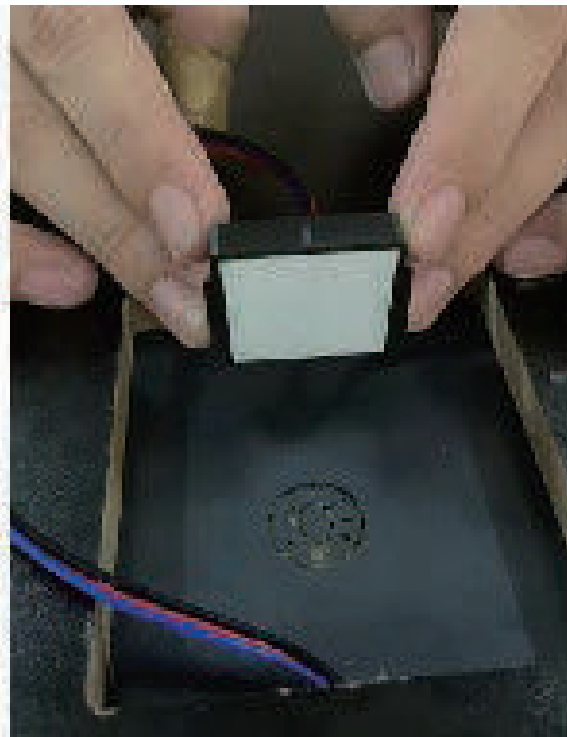
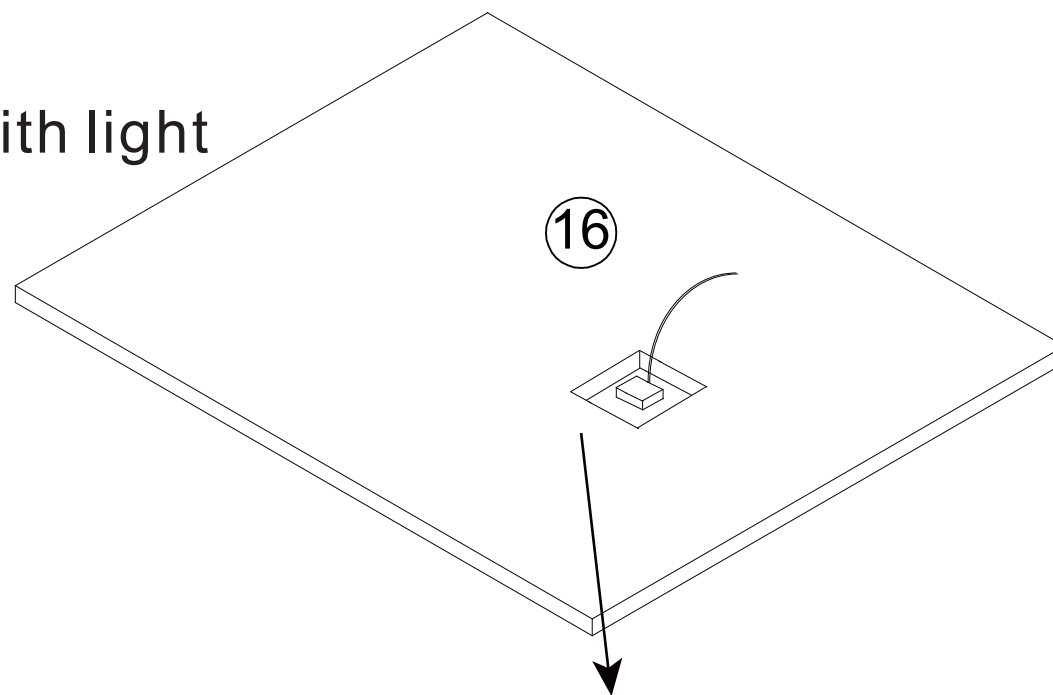


Step 15



Step 16

For vanity table with light

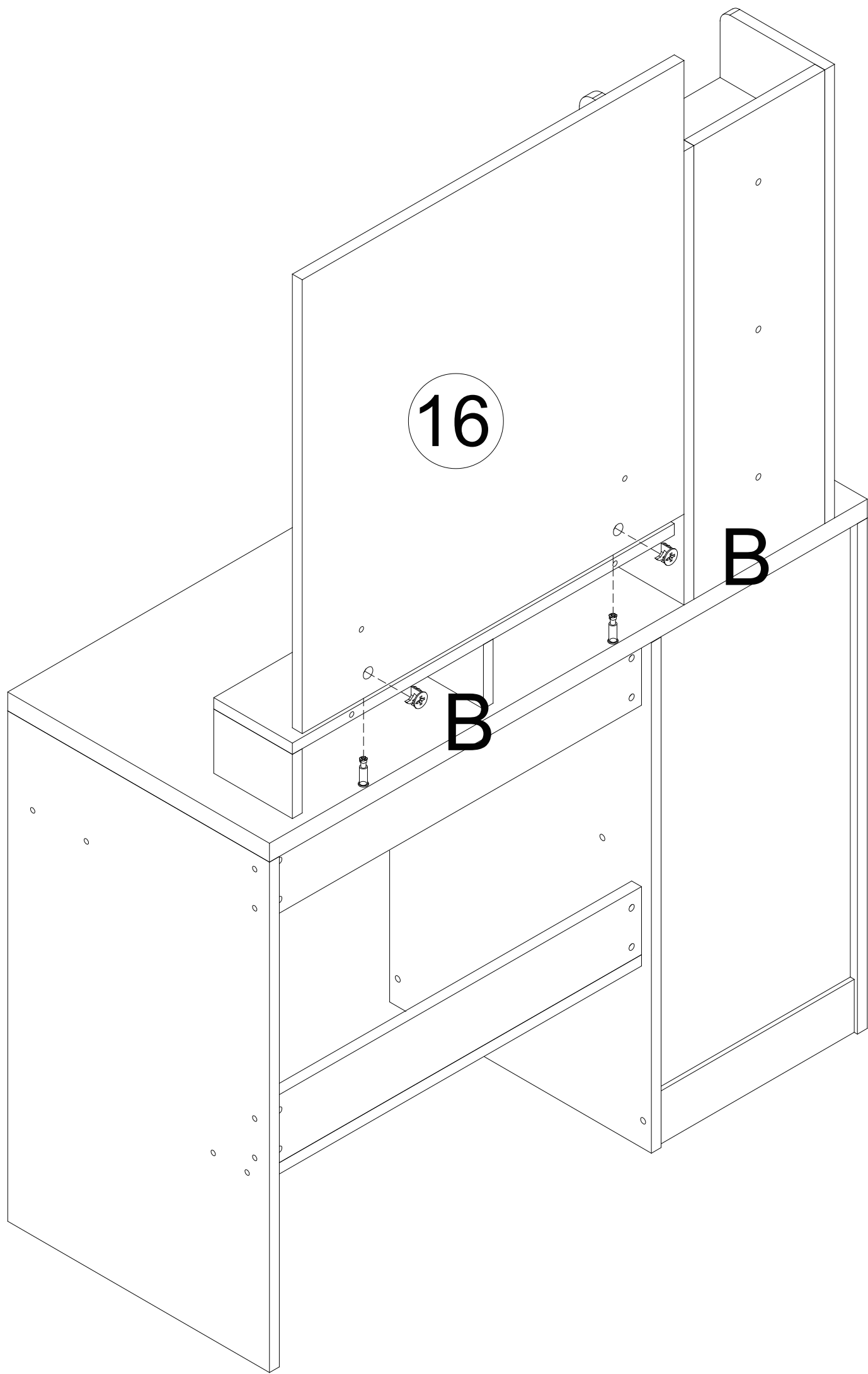


If your vanity table include a LED mirror light, please test the light in this step. Touch the switch button on the mirror to turn on the mirror light, click the switch button to change the color of the light, and long press the switch button to adjust the brightness. If the switch button is not sensitive, you can check whether the touch switch is tightly attached to the mirror back as shown in the diagram. If it is not tightly attached, please use your fingers to press the touch switch to the designated position and check if the connecting wire is OK.

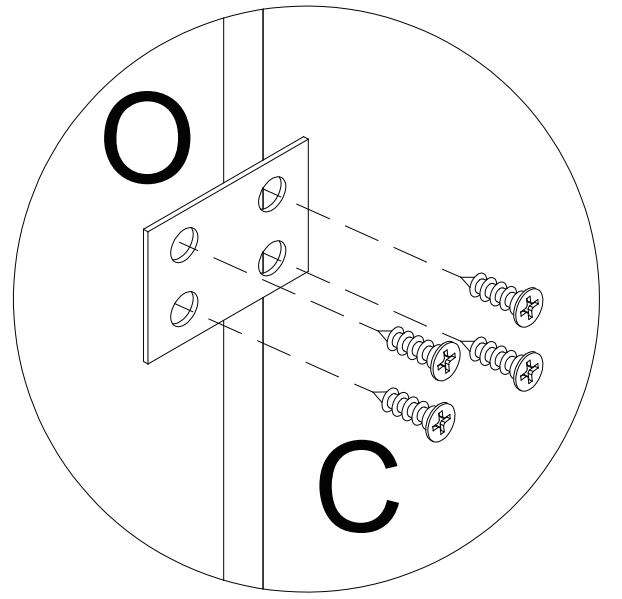
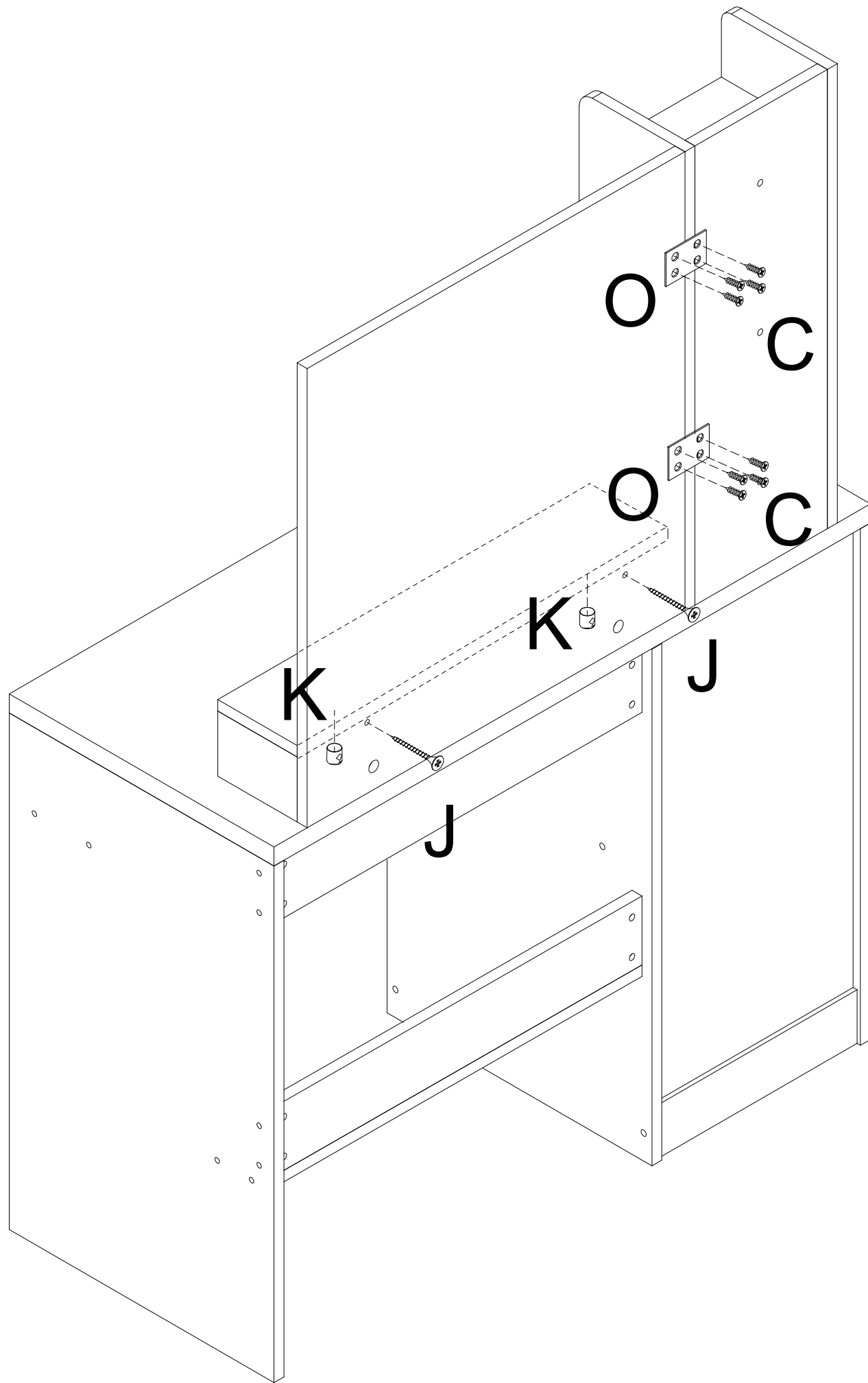


Please connect the light power cord as shown in the diagram, click the touch switch to turn on the mirror light. Please note that due to strict safety standards and heat dissipation requirements, the maximum brightness of the mirror light must be controlled below the safety standards. Therefore, the mirror light is not very bright and is not used for lighting purposes. It is only used to adjust the color of the environment. If you think that the light is not bright enough, it is due to safety standards limitations, not product quality defects.

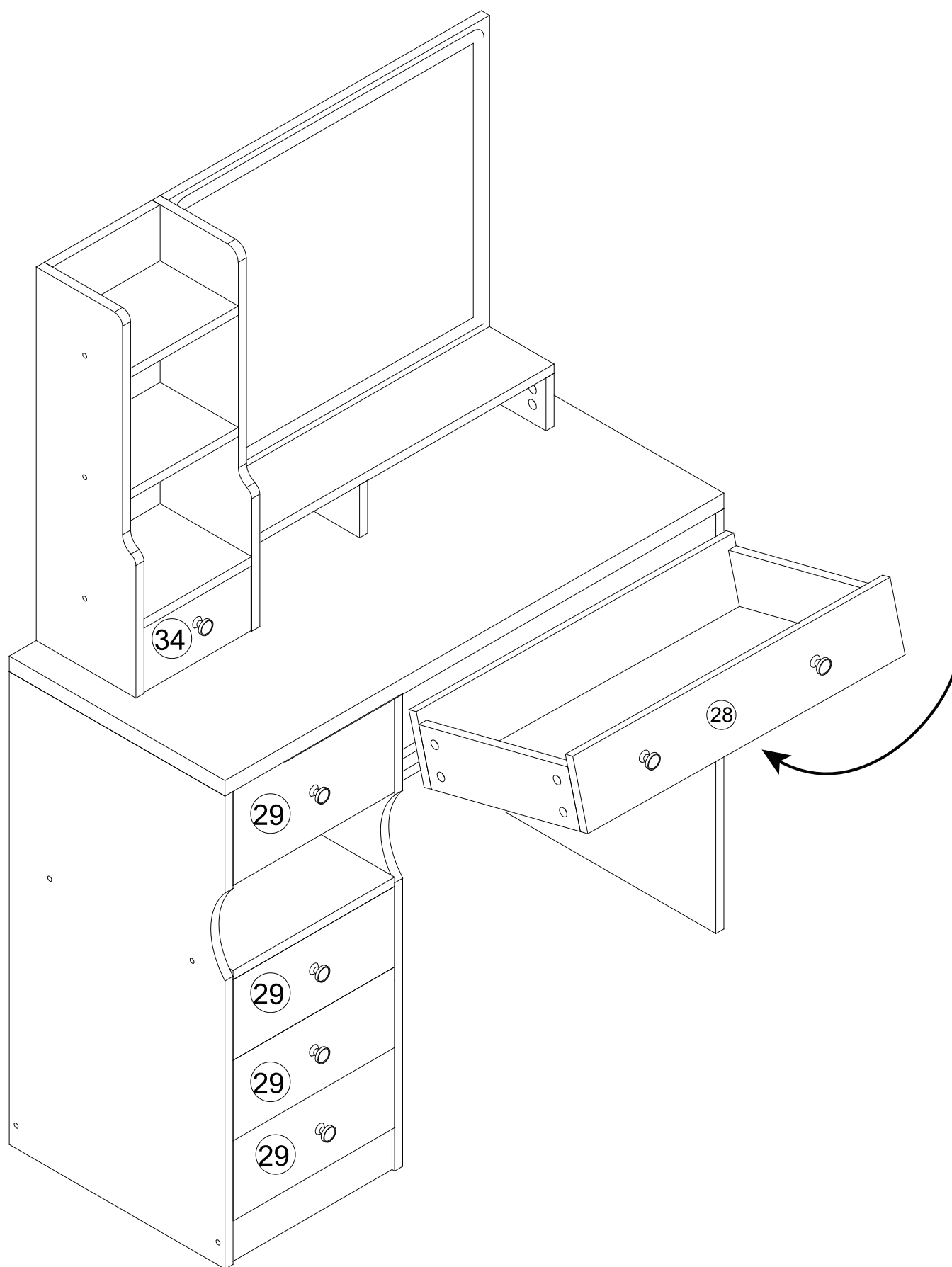
Step 17



Step 18

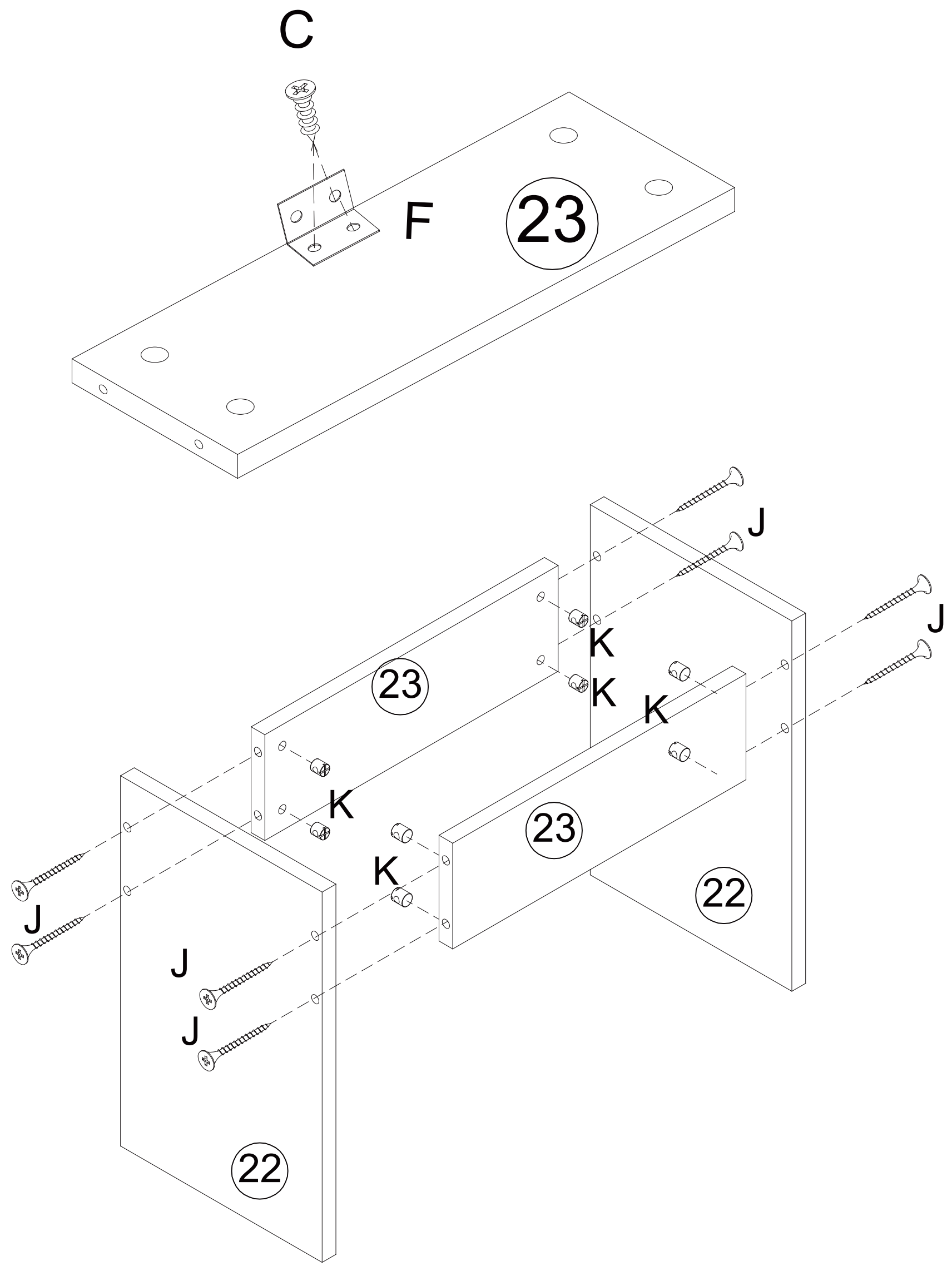


Step 19



Please note that when placing the drawer in, the drawer positioning pin will block the drawer. Therefore, please follow the diagram to first insert the inner edge of the drawer using a concave method, and then push the drawer flat.

Step 20



Step 21

