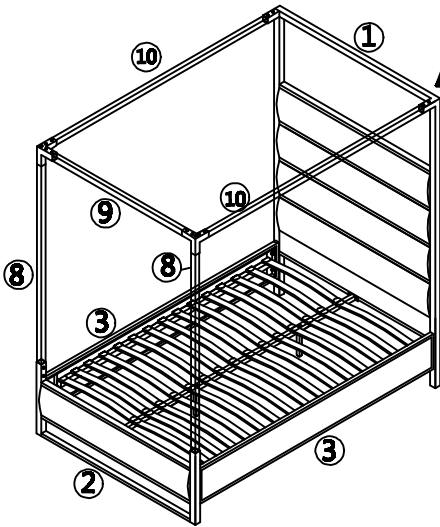


ASSEMBLY INSTRUCTIONS

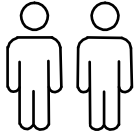
BED - queen



+ Do Not Use Power Tools



+ Suggested Adults



NOTE:

- 1 Read instructions cover to cover.
- 2 Save all packaging until assembly is completed.

1 IMPORTANT SAFETY INFORMATION

Do not assemble the product if any of the following parts arrived damaged:

- Part #③ -Side Rails
- Part #⑤ -Center Support Bar
- Part #⑥ -Support Legs
- Part #⑦ -Slats

2 IMPORTANT ASSEMBLY INFORMATION

Assembly Step ③ Ensure the side rail bracket is fully hooked onto bolt A loosely threaded with both washers on the OUTSIDE of the bracket first, then proceed to fully tightening all 4 corners.

Assembly Step ⑨ When installing slats, ensure that the curve is facing upwards. (↖) (✗)

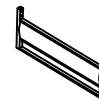
*Slats come packed in the bottom of headboard carton.

+ Parts Included

① Head Board (1pc)



② Foot Board (1pc)



③ Side Rails (2pcs)



④ Double Plastic cap (15pcs)



⑤ Center Support Bar (1pc)



⑥ Support Legs (2pcs)



⑦ Slats (30pcs)



⑧ Single Plastic cap (30pcs)

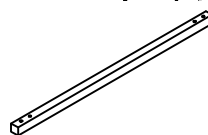


⑨ -acrylic (2pcs)



*Slats come packed in the bottom of headboard carton.

⑩ -acrylic (1pc)



⑩ -acrylic (2pcs)



+ Hardware Included

A Bolt M8*30mm (8pcs)



B Bolt M8*75mm (8pcs)



C Spanner (1pc)



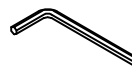
D Bolt M8*40mm (16pcs)



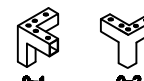
E Flat Washer ϕ 20mm (26pcs)



F M8 Allen Key (1pc)



G corner parts (2pcs)



I Flat Washer ϕ 22mm (8pcs)



J Nut M8*13mm (12pcs)



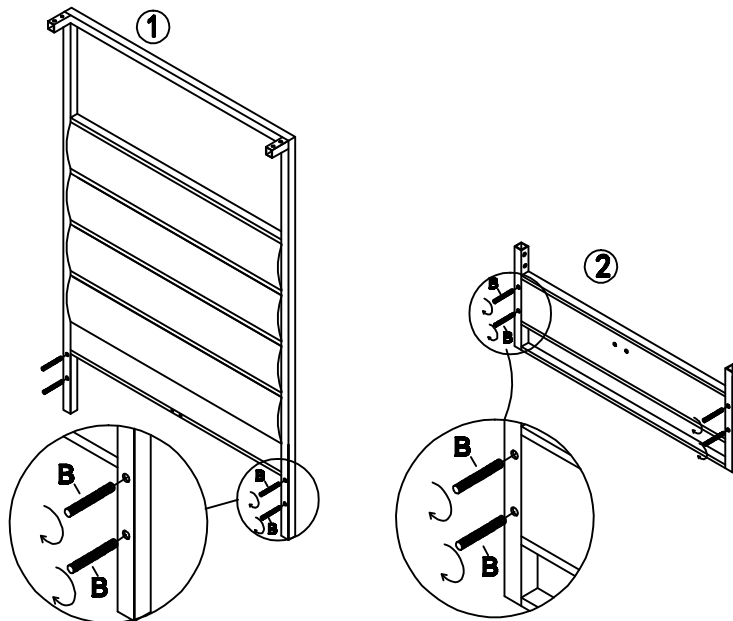
K Bolt M8*80mm (2pcs)



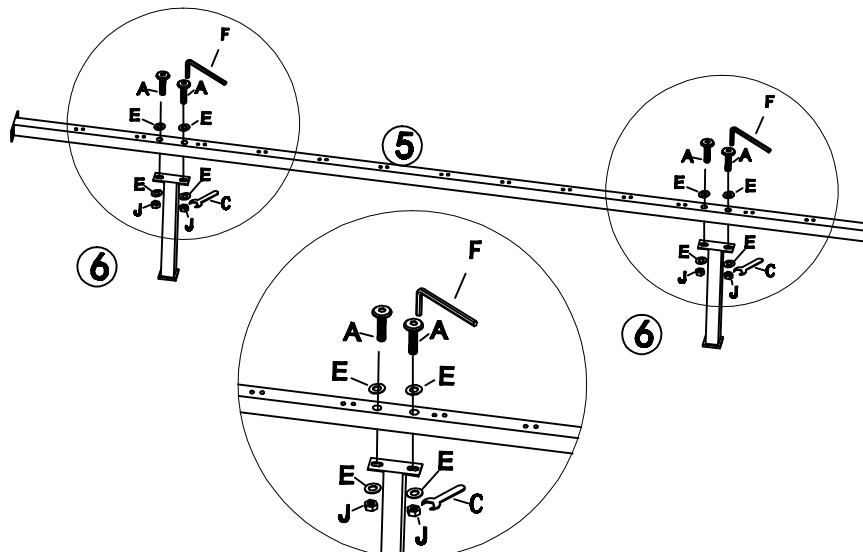
ASSEMBLY INSTRUCTIONS

BED - queen

STEP 1:

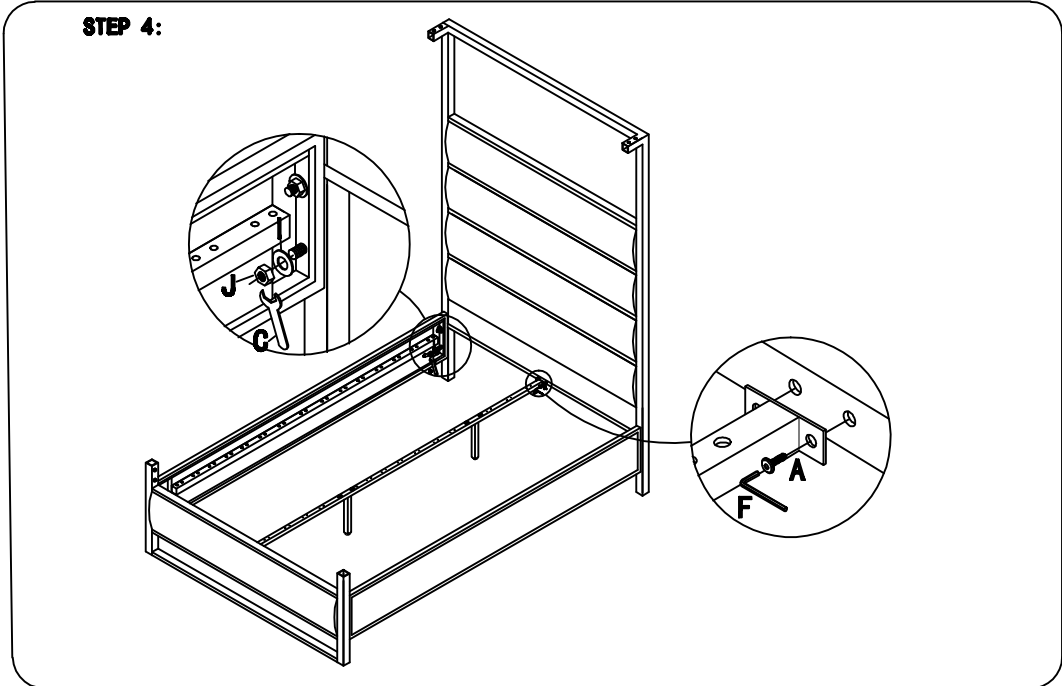
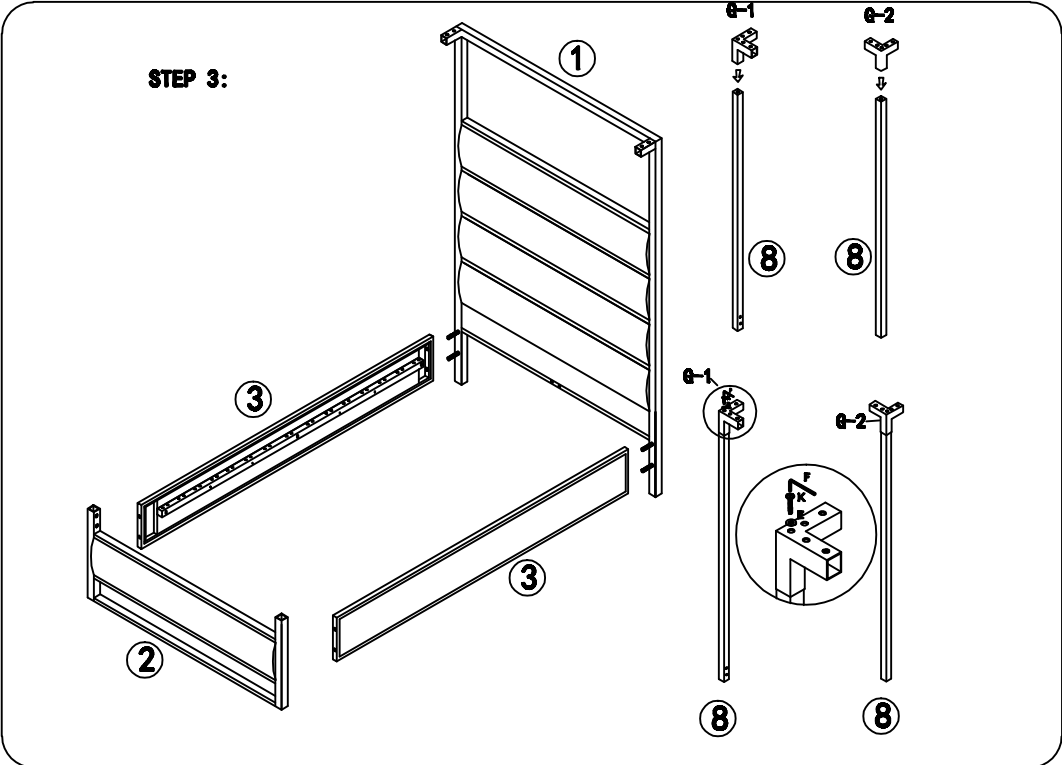


STEP 2:



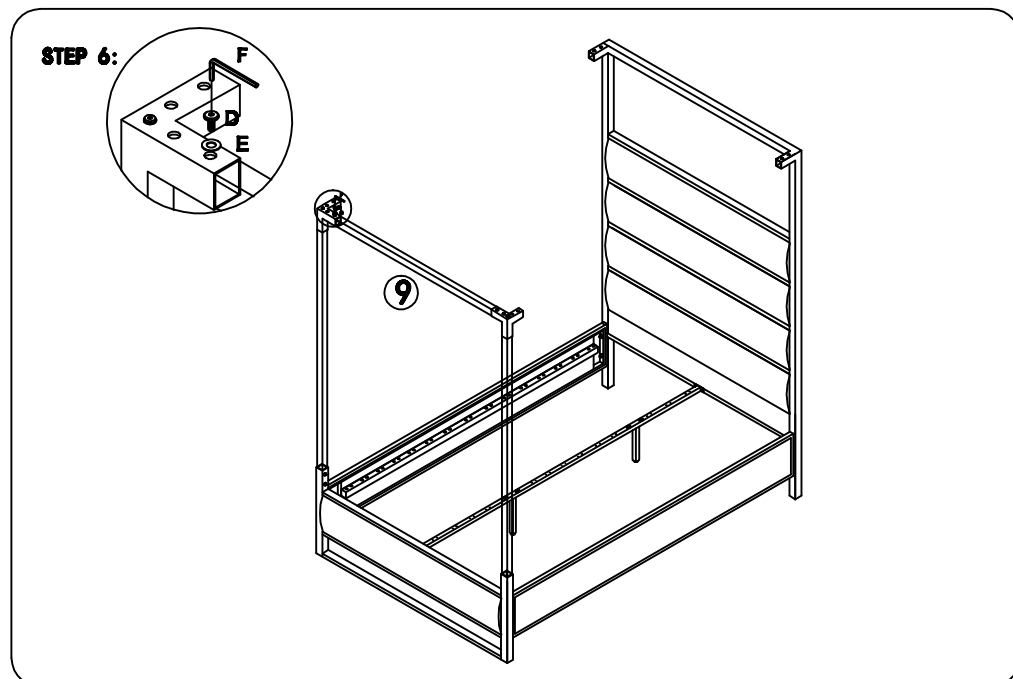
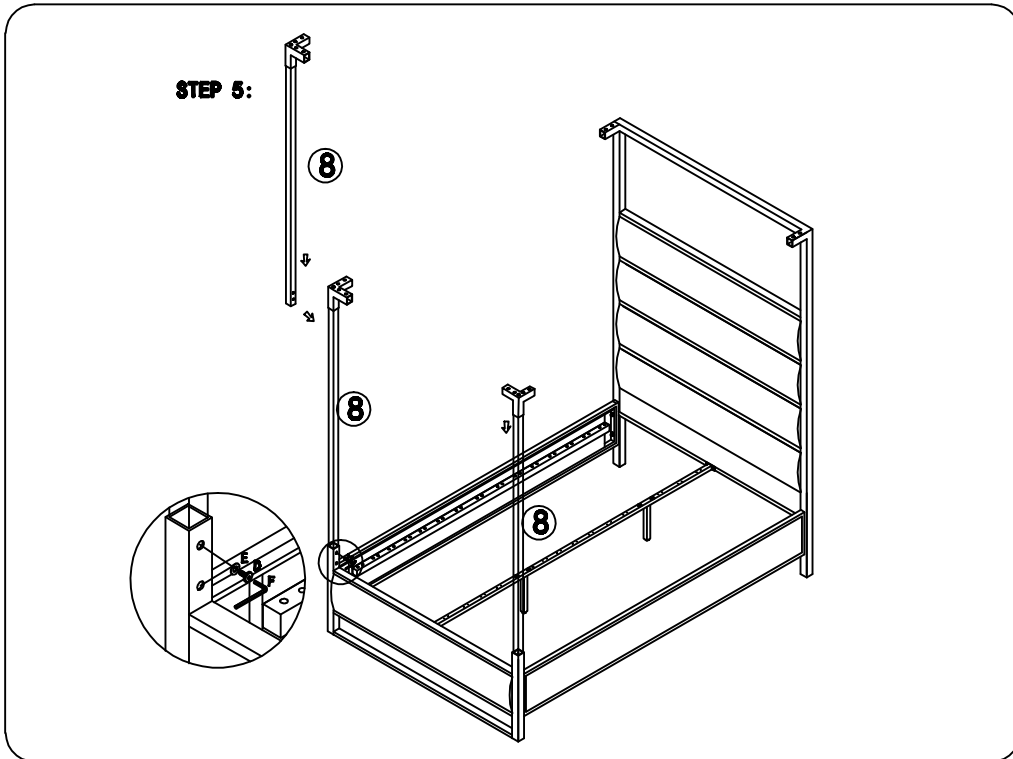
ASSEMBLY INSTRUCTIONS

BED - queen



ASSEMBLY INSTRUCTIONS

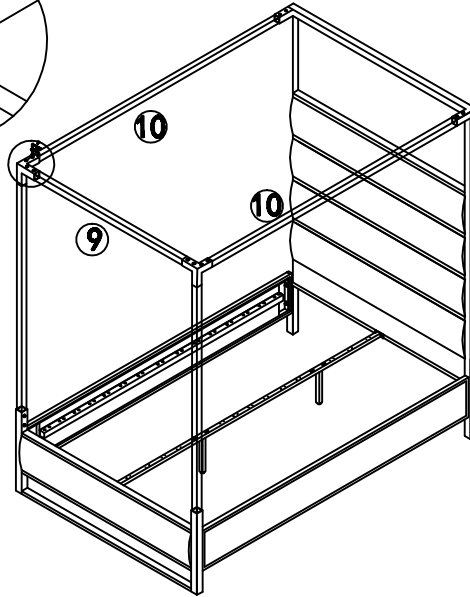
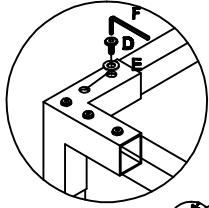
BED - queen



ASSEMBLY INSTRUCTIONS

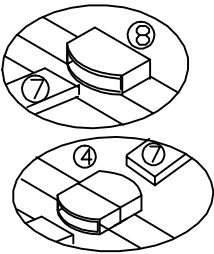
BED - queen

STEP 7:



STEP 9:

When installing slats, ensure that the curve is facing upwards. (✓) (✗)



packed in the bottom of headboard carton.

STEP 8:

