



1 ×2pcs 1410mm pipe



3 ×8pcs 970mm pipe



5 ×2pcs 1110mm pipe



7 ×8pcs 1480mm pipe



M2 ×1pcs 1600mm pipe



M2 ×1pcs 1675mm pipe



A ×4pcs



E ×8pcs



B ×1pcs



F ×1pcs



C ×6pcs



G ×11+1pcs



D ×2pcs



H ×4+1pcs



2 ×2pcs 530mm pipe



4 ×2pcs 440mm pipe



6 ×15pcs 1870mm pipe



M1 ×1pcs



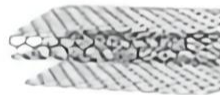
M3 ×1pcs



I ×Npcs



O ×5pcs



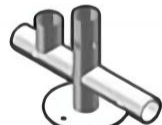
J 50m×1



P ×6pcs



K ×Npcs



Q ×1pcs



L ×7+1pcs



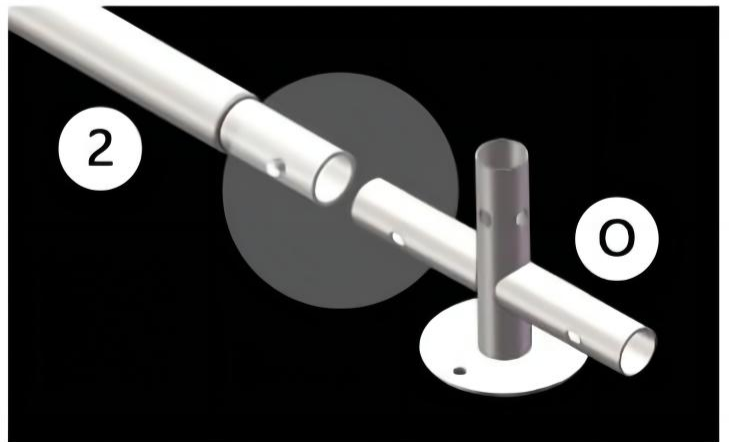
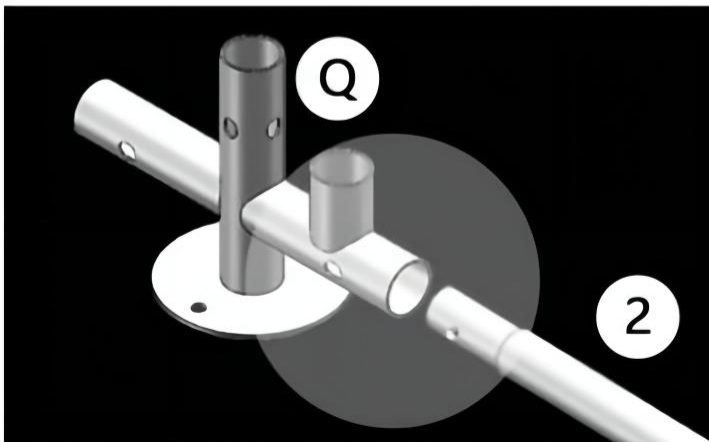
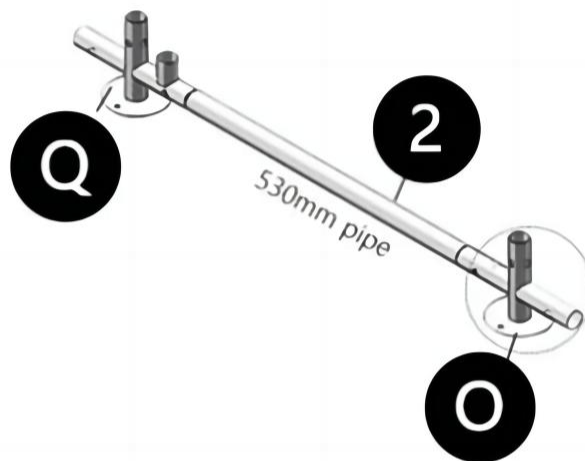
R ×1pcs



N ×1pcs Roof

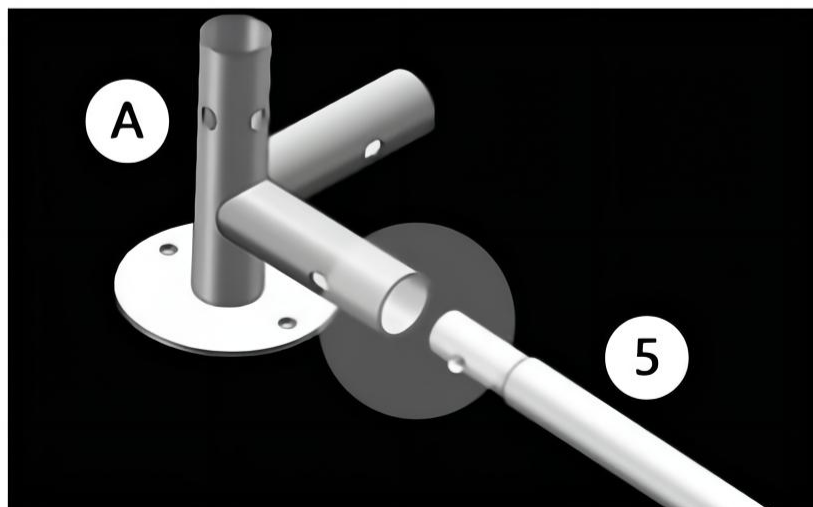
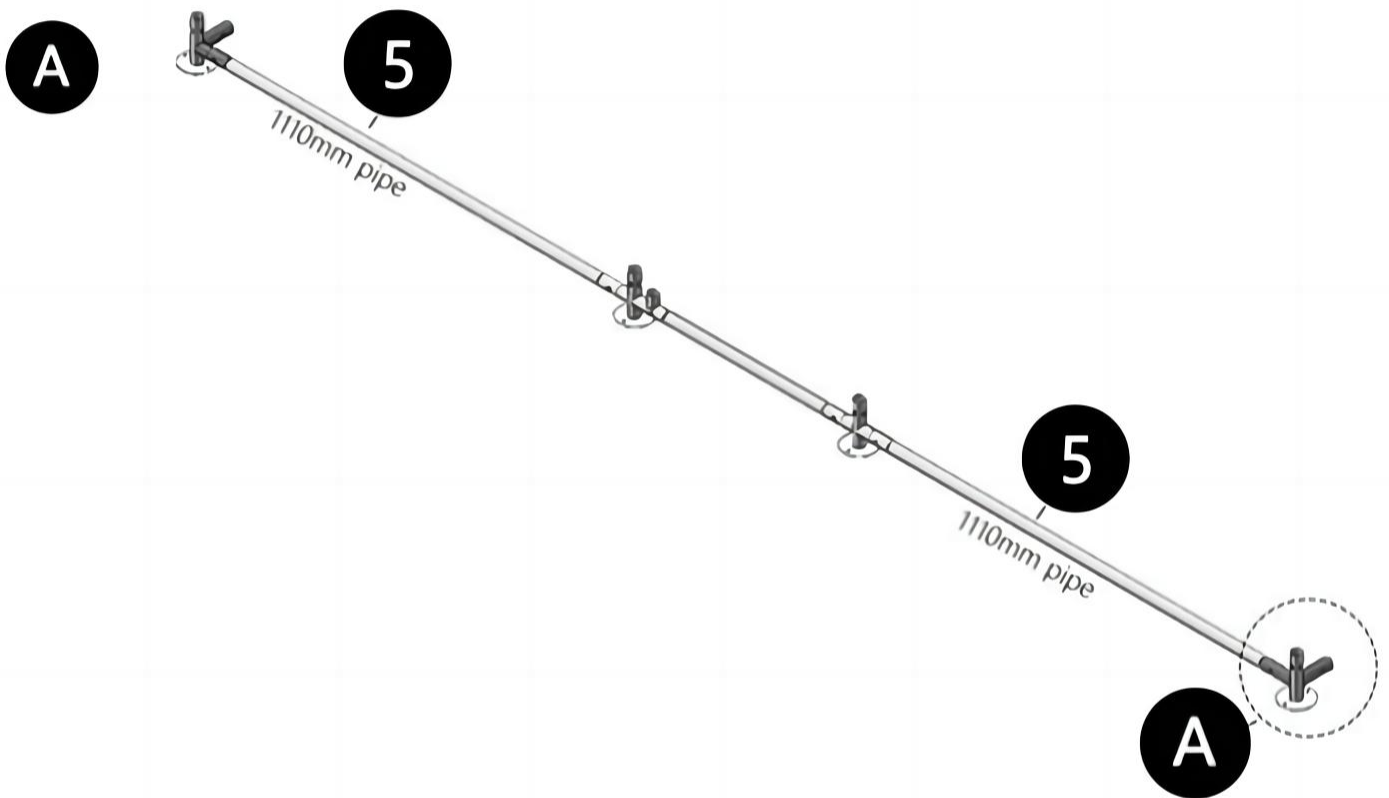
Step 1

Assemble the bottom front door bracket, "Q" and "O" middle insert" 2 "as shown below.



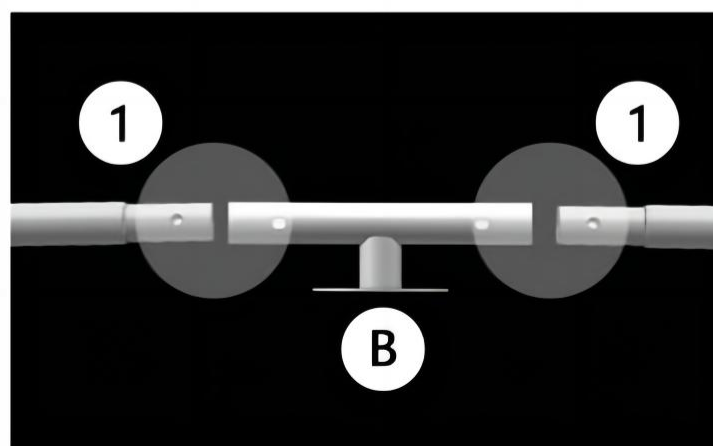
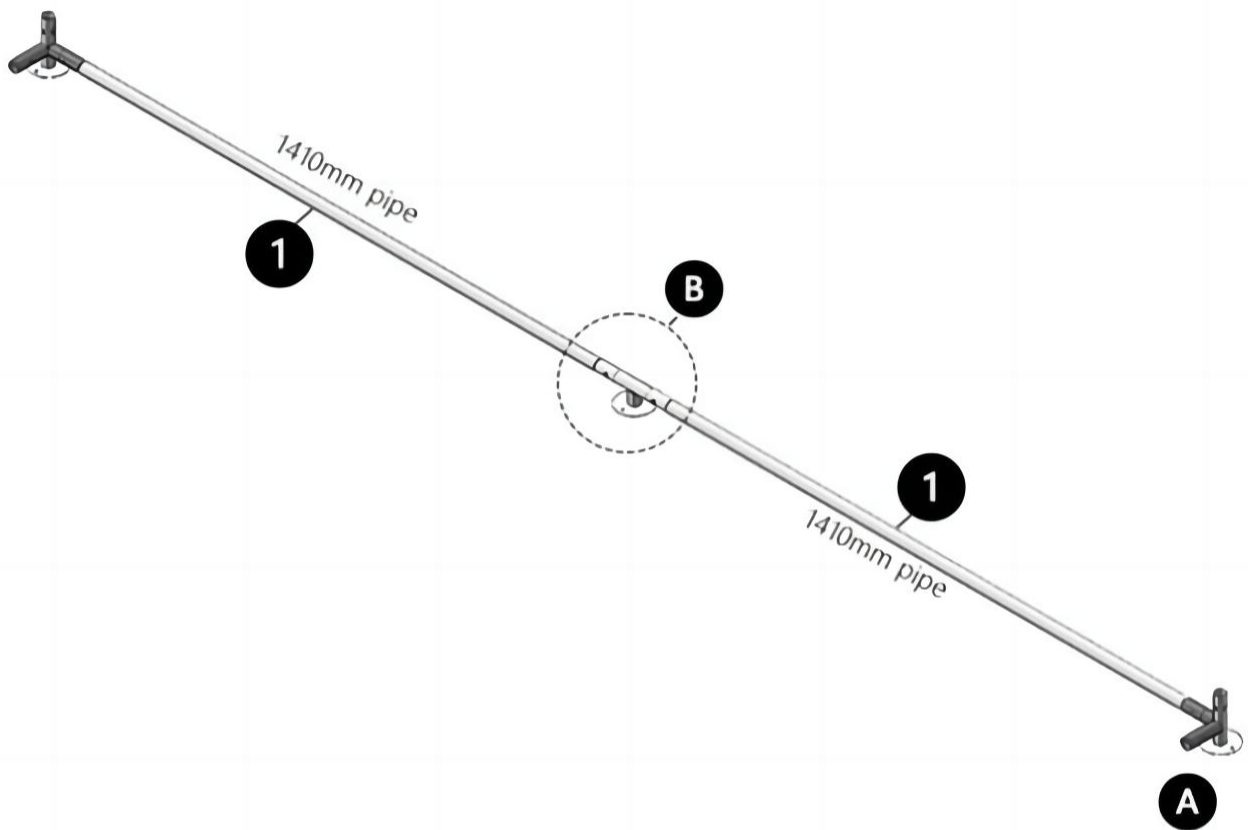
Step 2

Insert two "A" and two "5" round tubes as shown below.



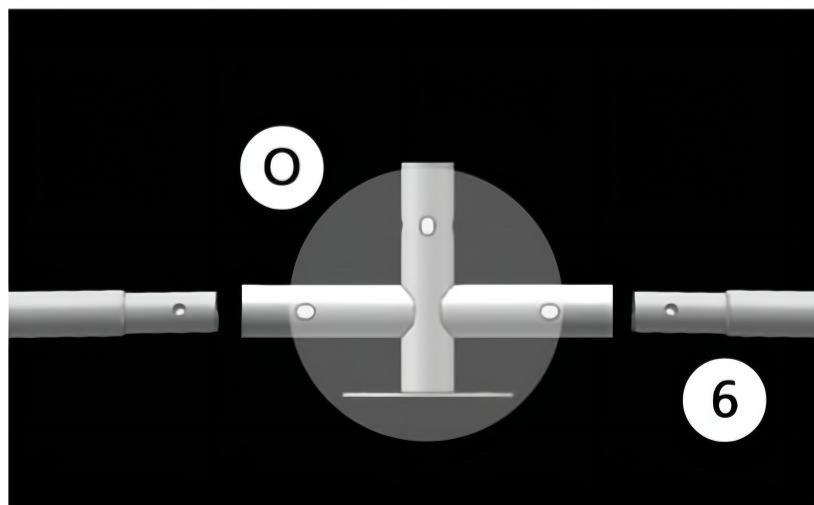
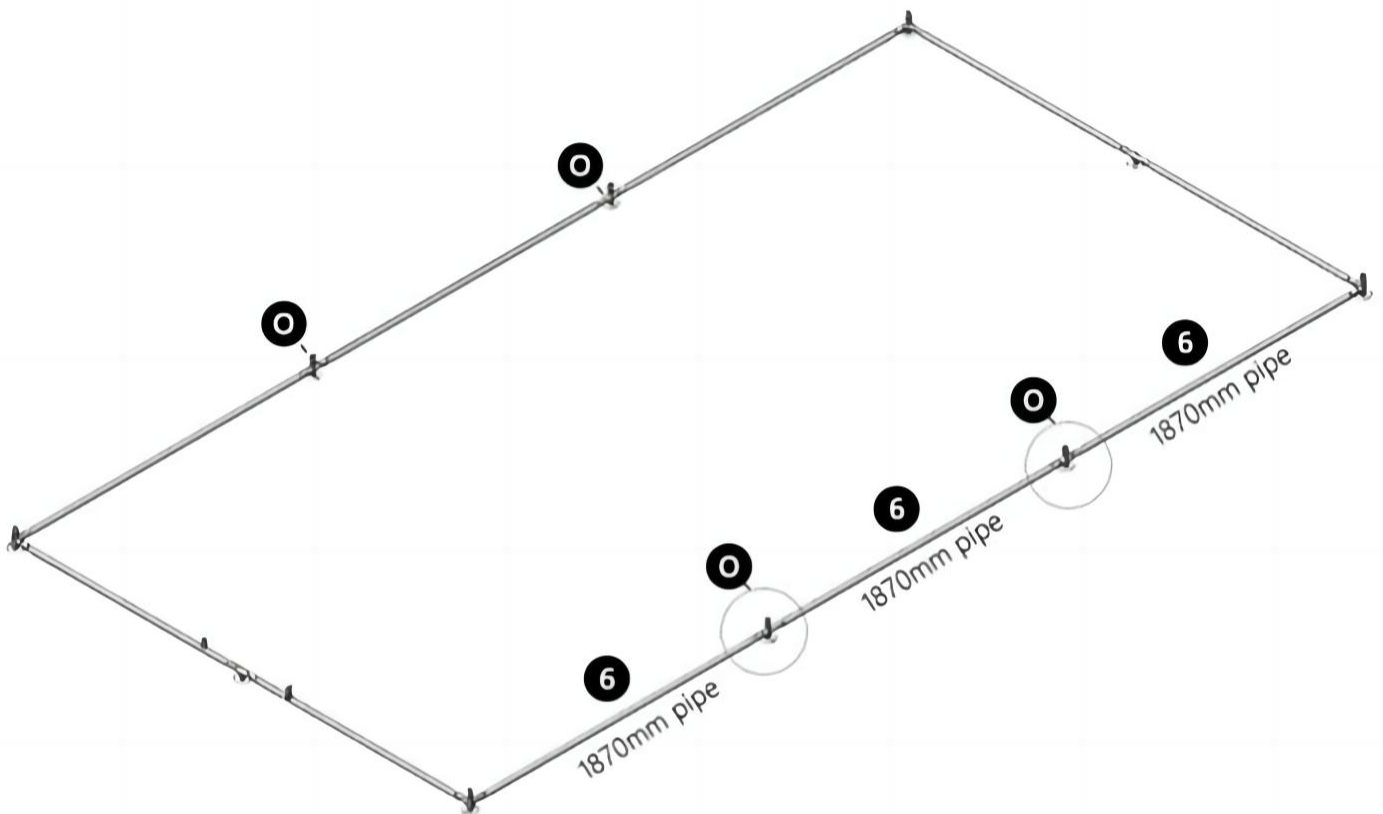
Step 3

Assemble the tail bracket, "B" connect the two "1" and snap into the right angle tee "A" as shown below.



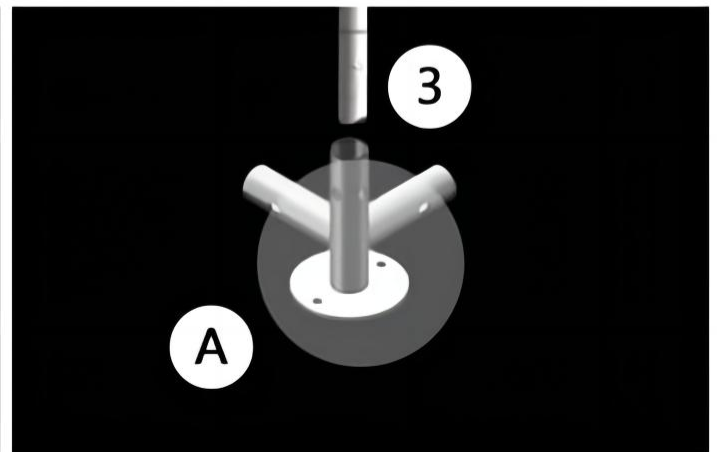
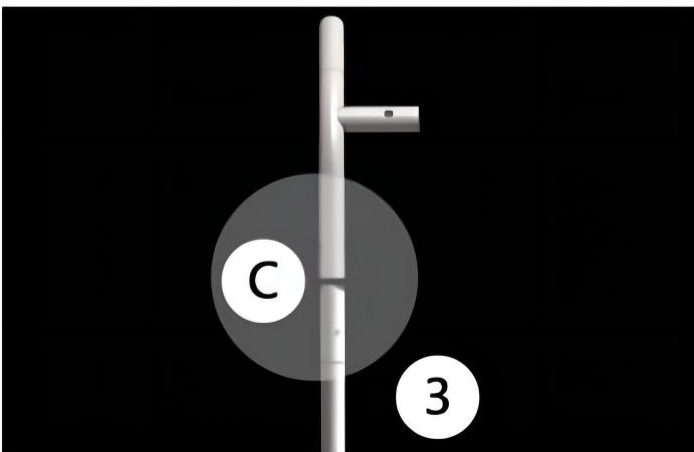
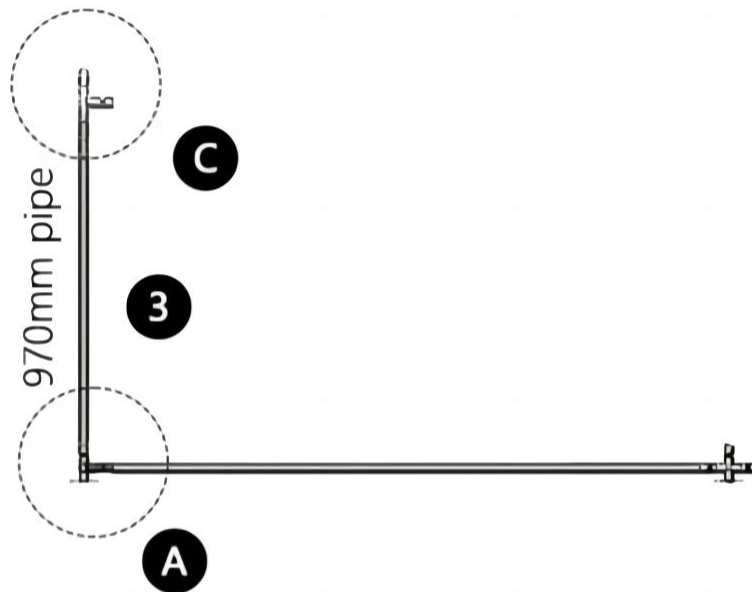
Step 4

As shown in the figure, "O" inserts "6" two round tubes to complete the entire bottom frame.



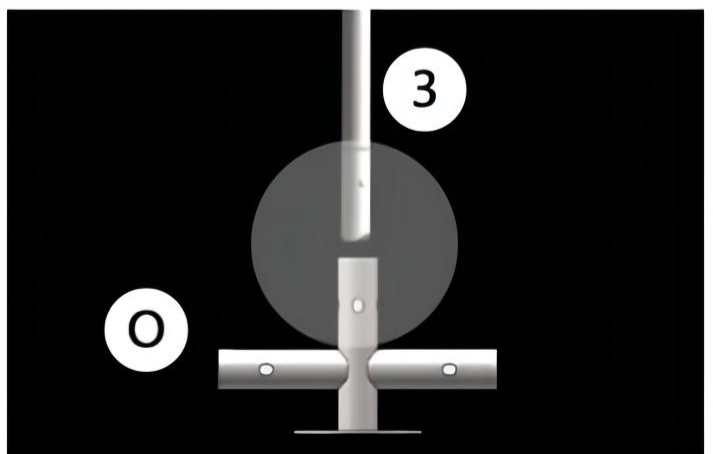
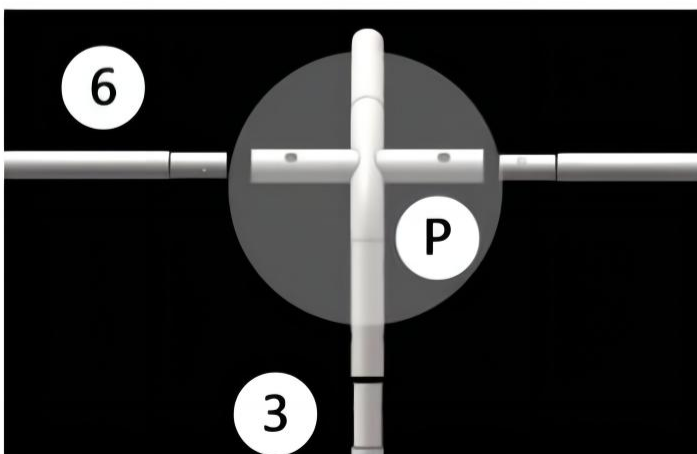
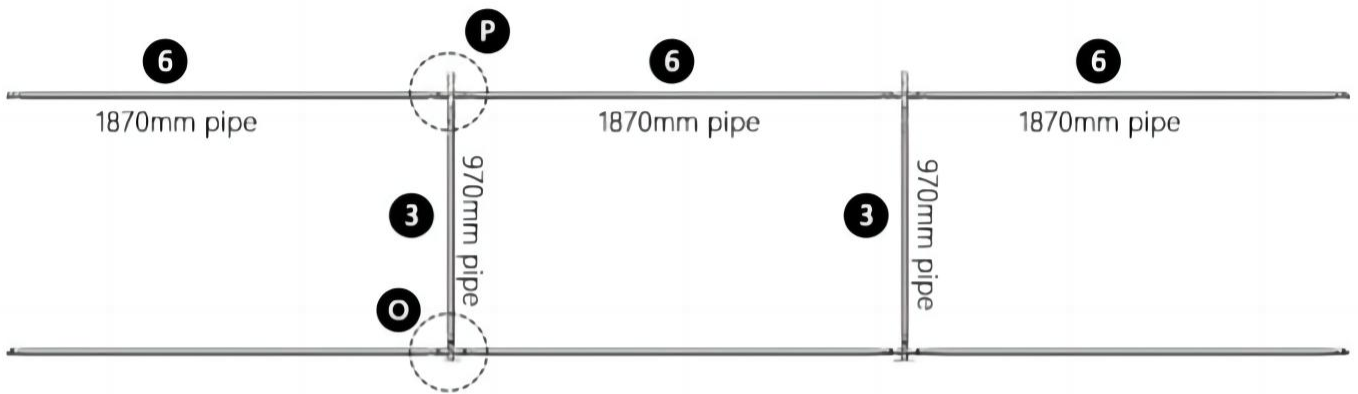
Step 5

As shown in the figure, components "C" and "3" are fixed to "A".



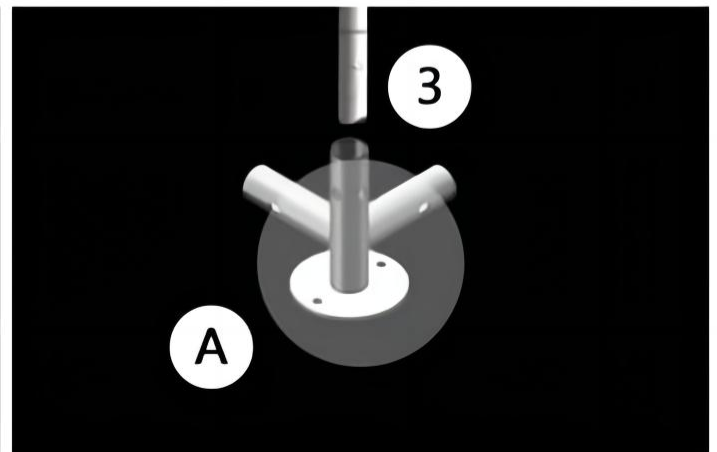
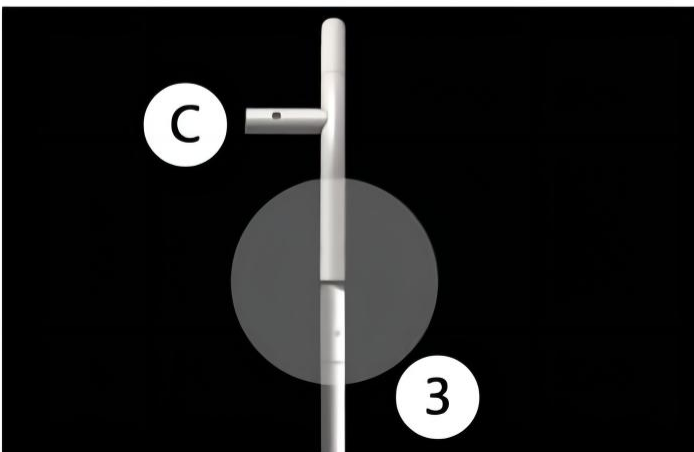
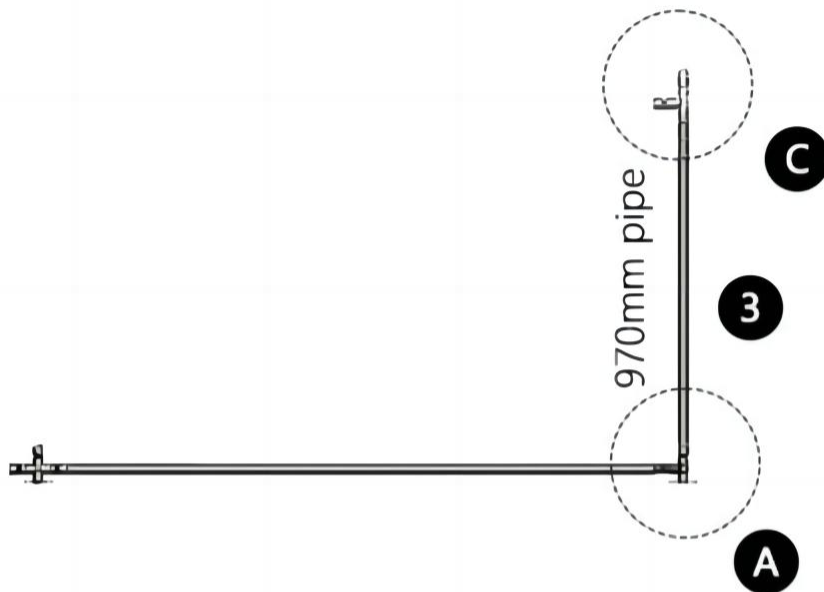
Step 6

Install on the left and right sides of the bottom bracket, insert "C" into "3" and "6" respectively.



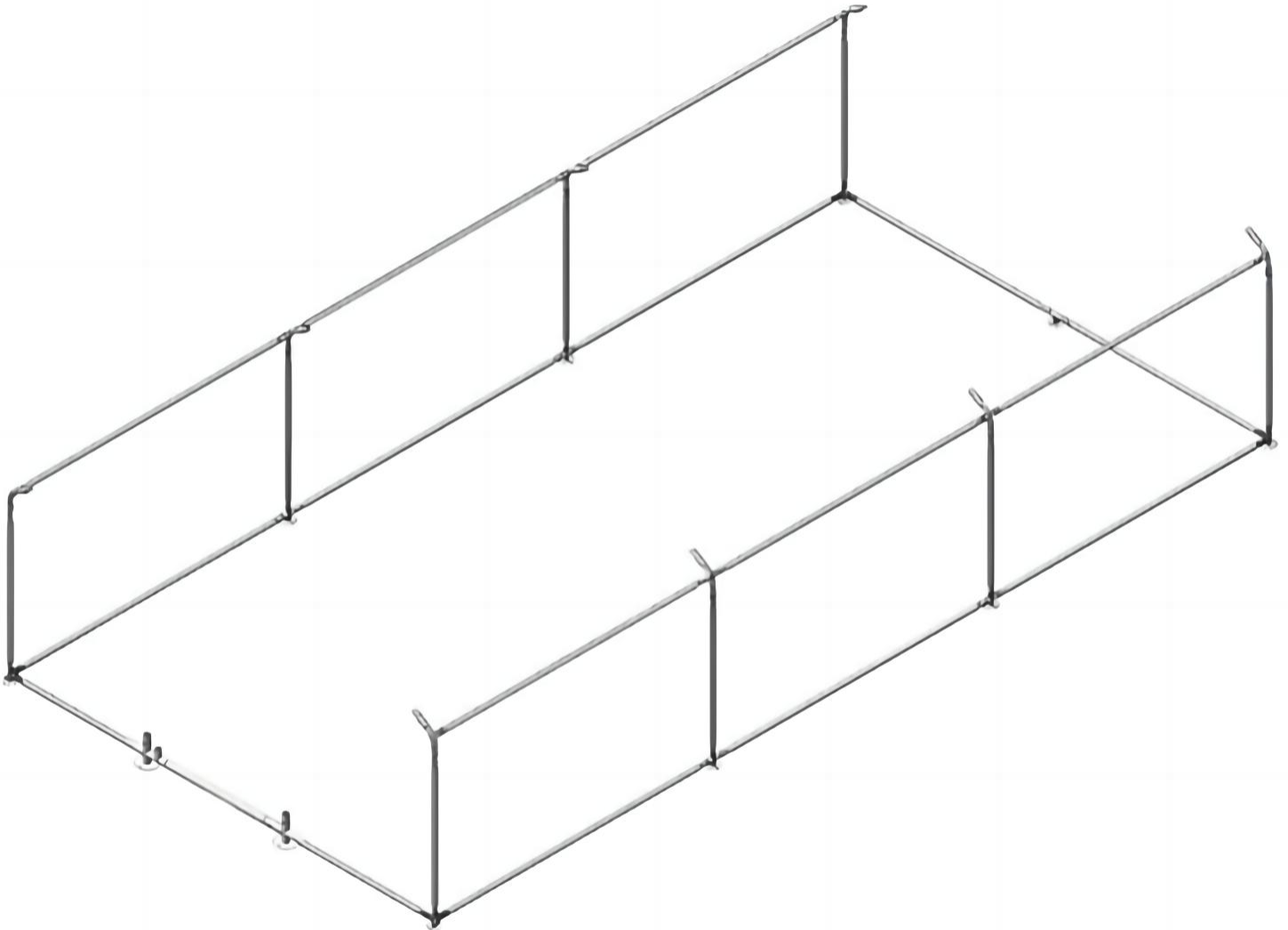
Step 7

As shown in the figure, components "C" and "3" are fixed to "A".



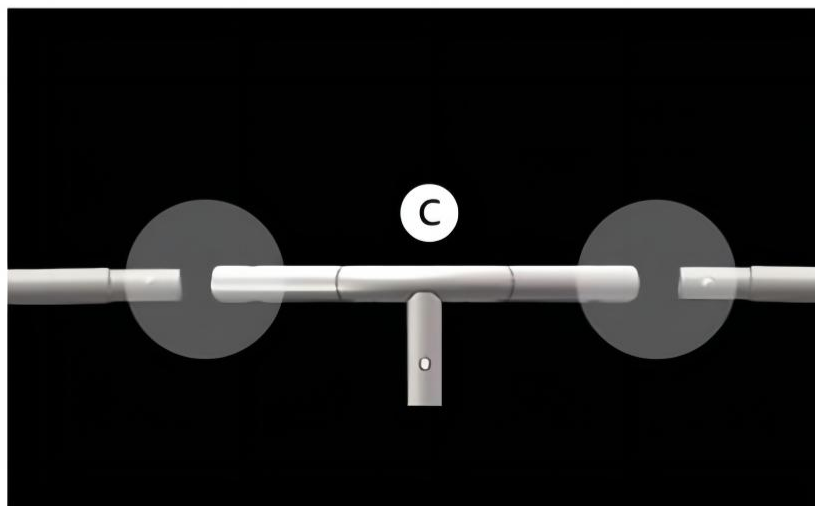
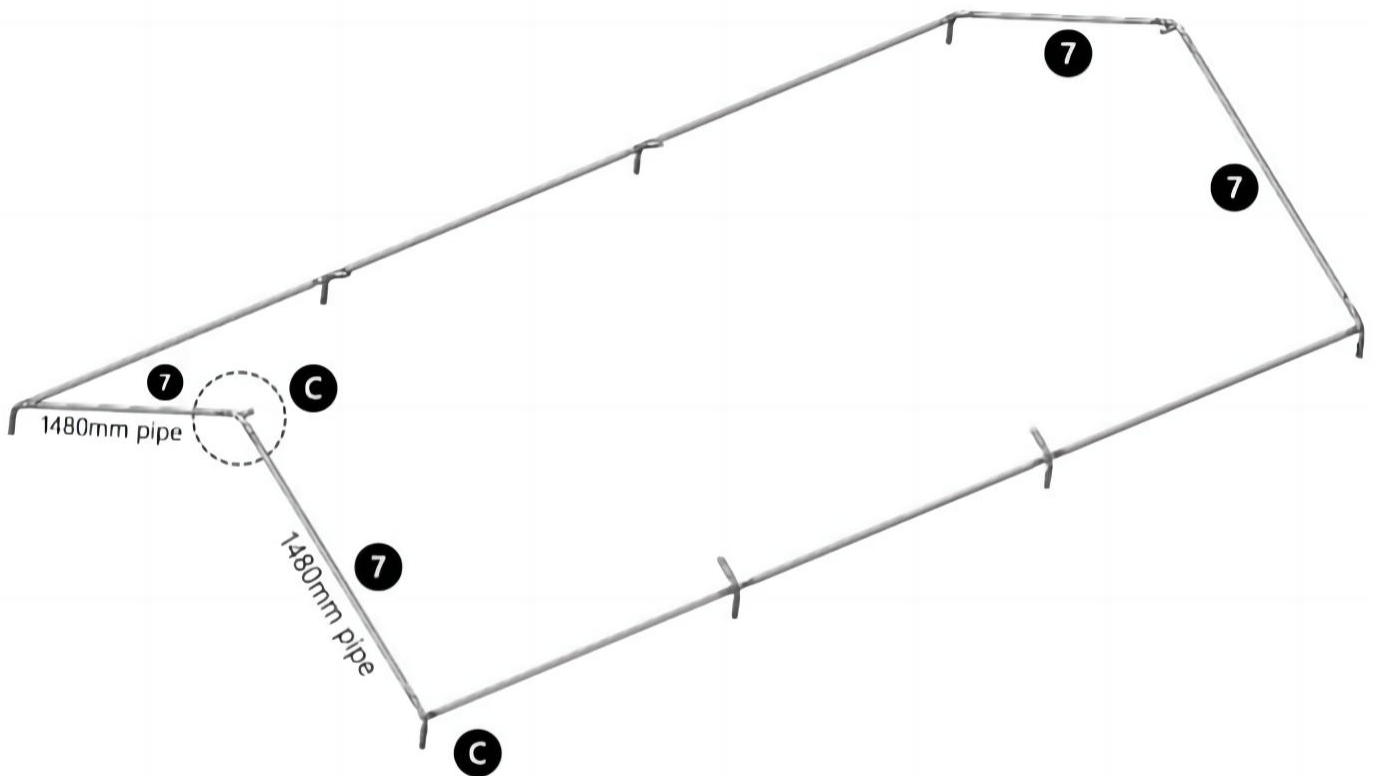
Step 8

Install the other side in the same way as shown.



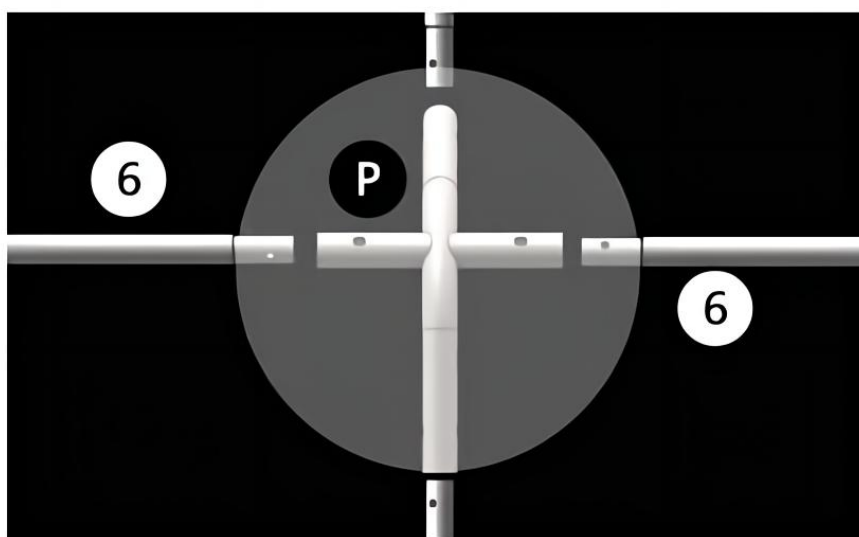
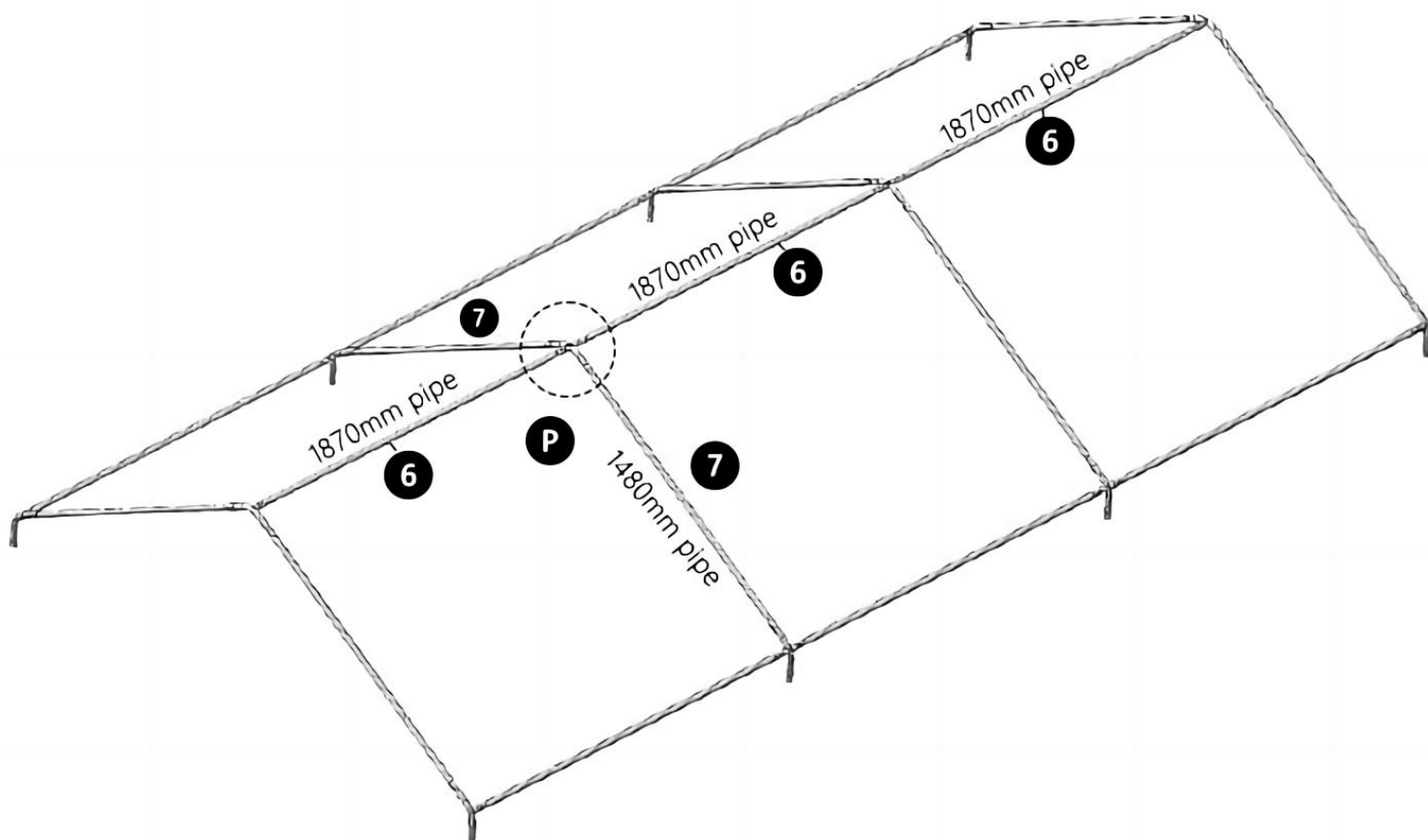
Step 9

Install the top without support, the two "7" should be inserted into the hole "C" as shown in the figure, and there are round tubes on both sides.



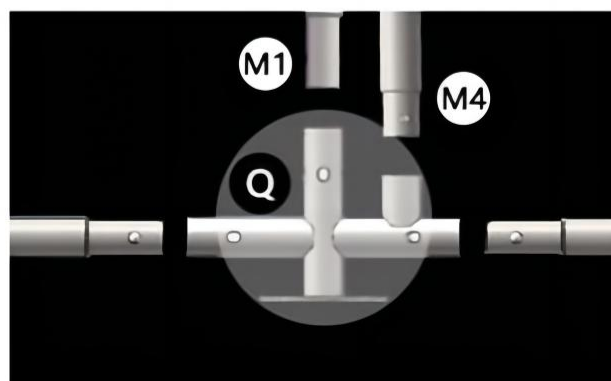
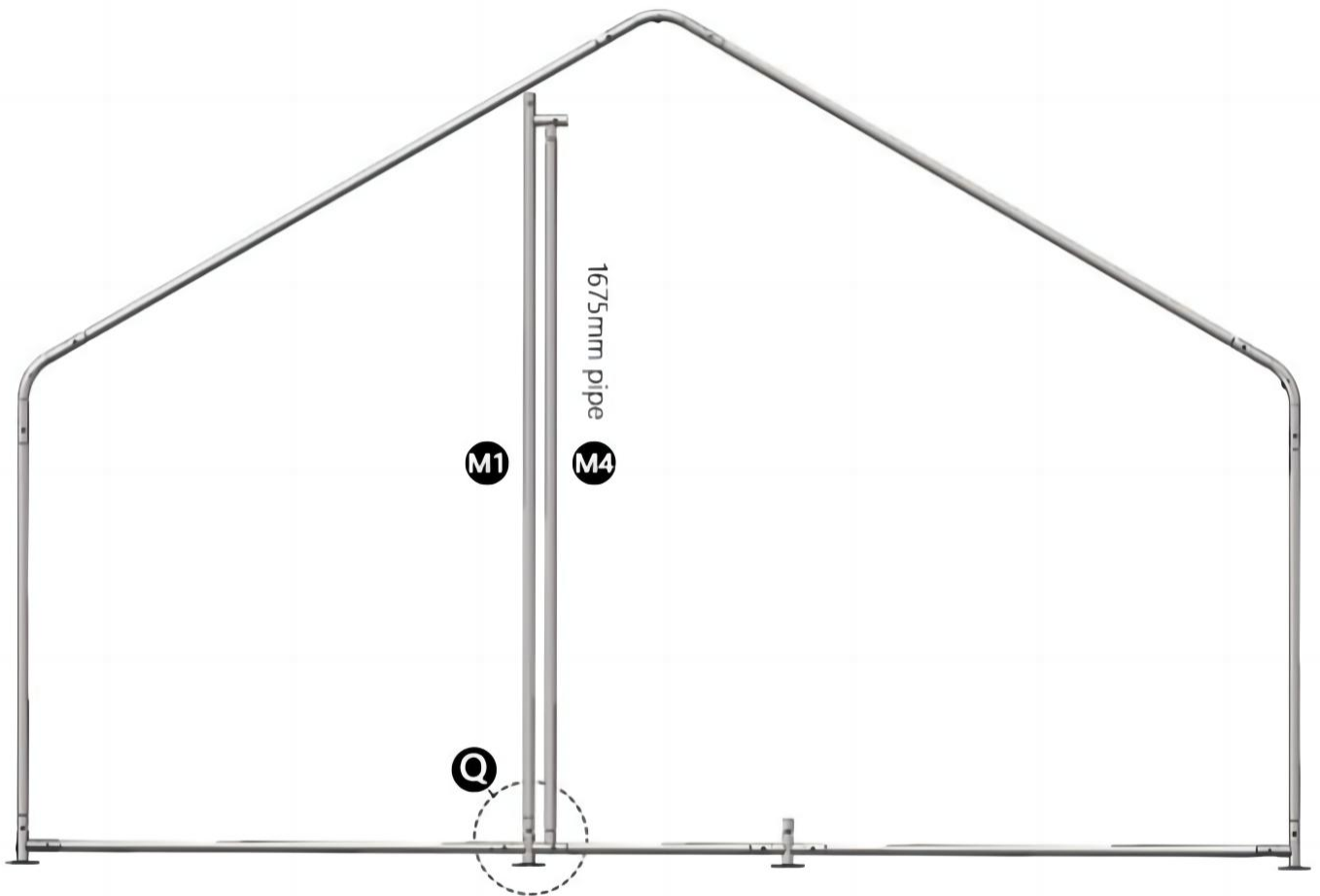
Step 10

Assemble the round tubes "6", "7" and "P" together as shown in the figure to complete the top bracket.



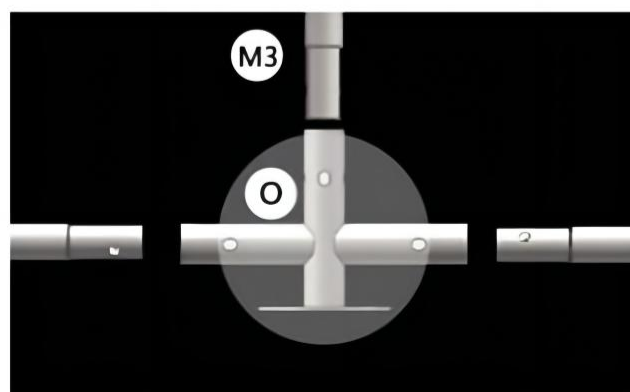
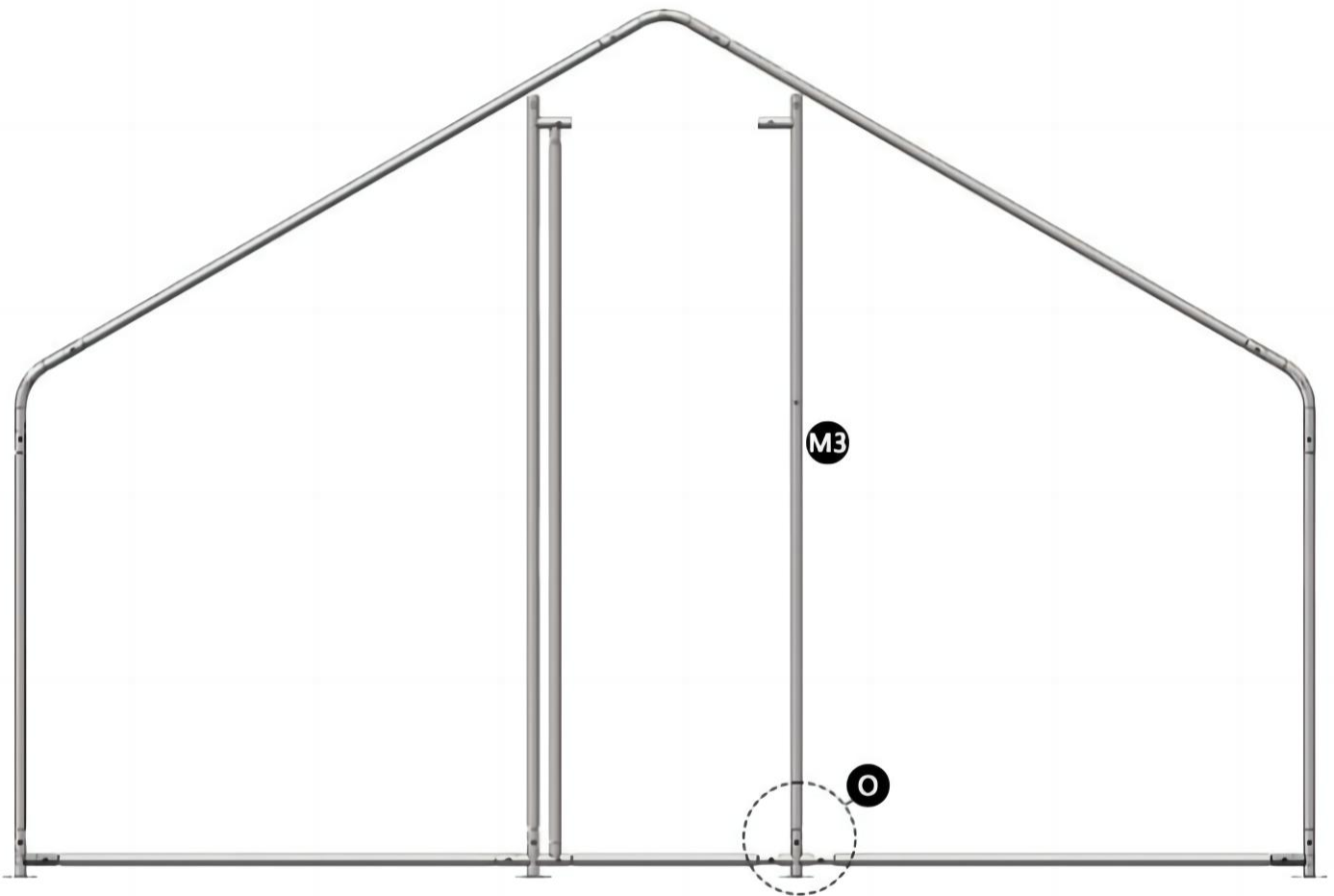
Step 11

Insert "M1" and "M4" into the parts of "Q" as shown.



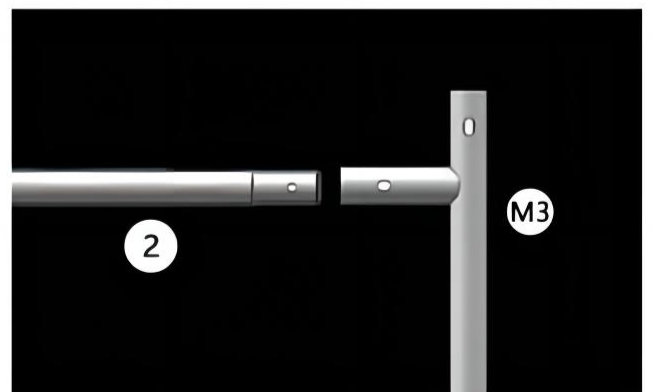
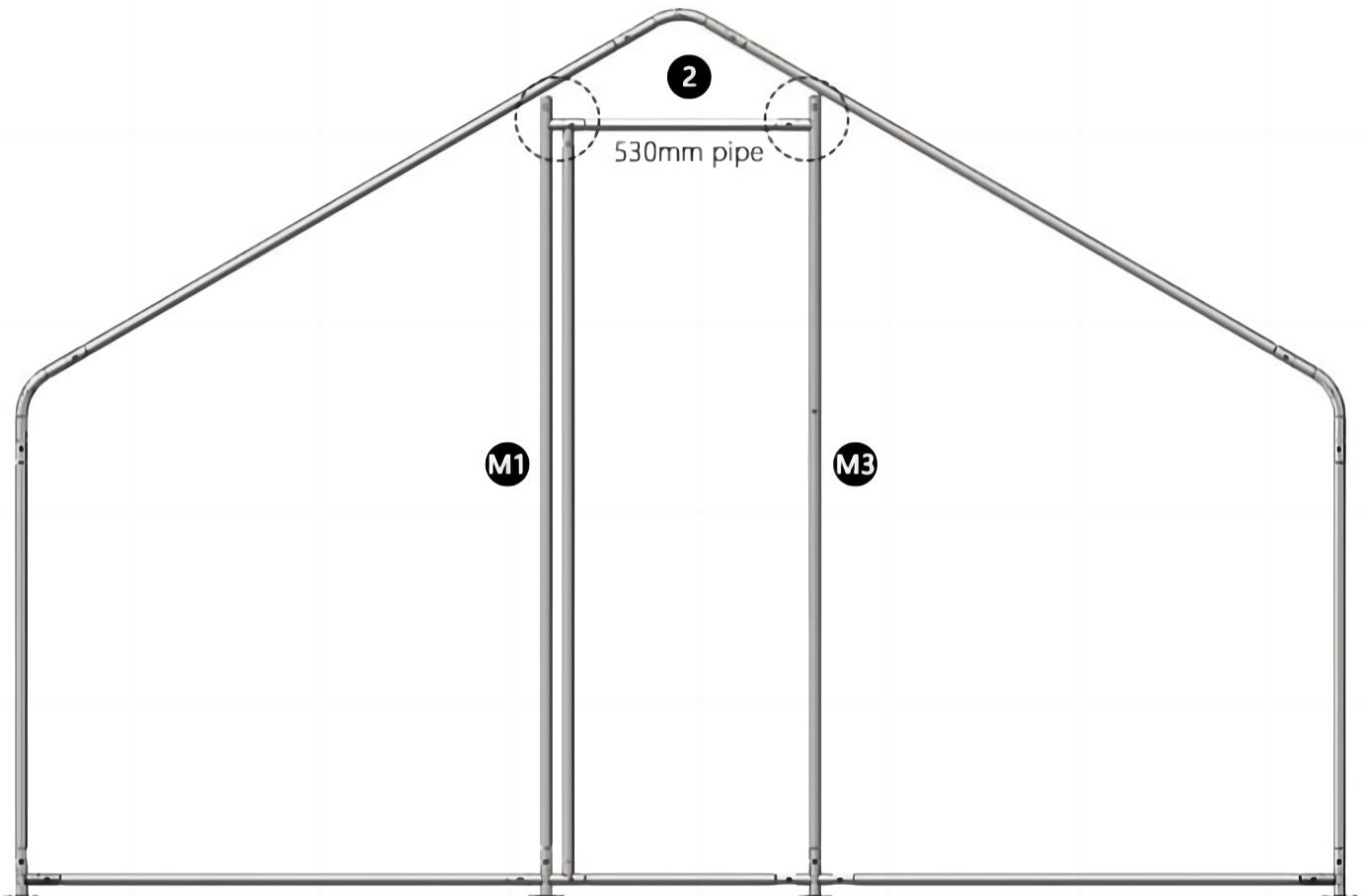
Step 12

As shown in the figure, the "M3" tube is connected to the "O" component.



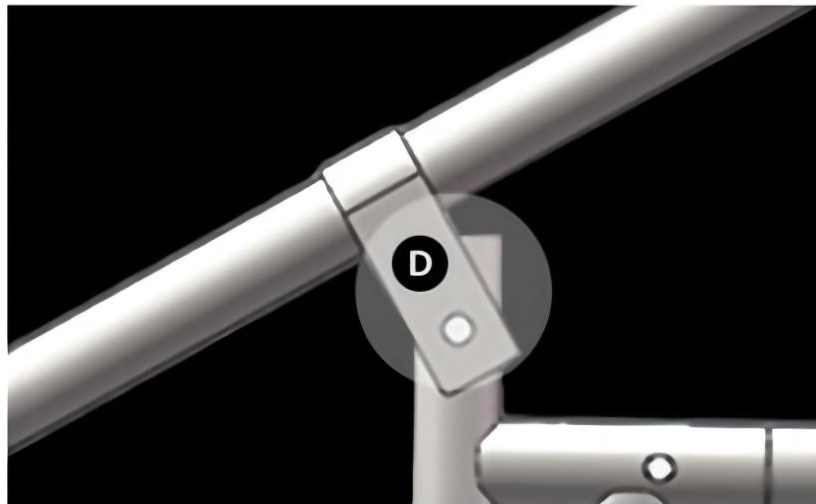
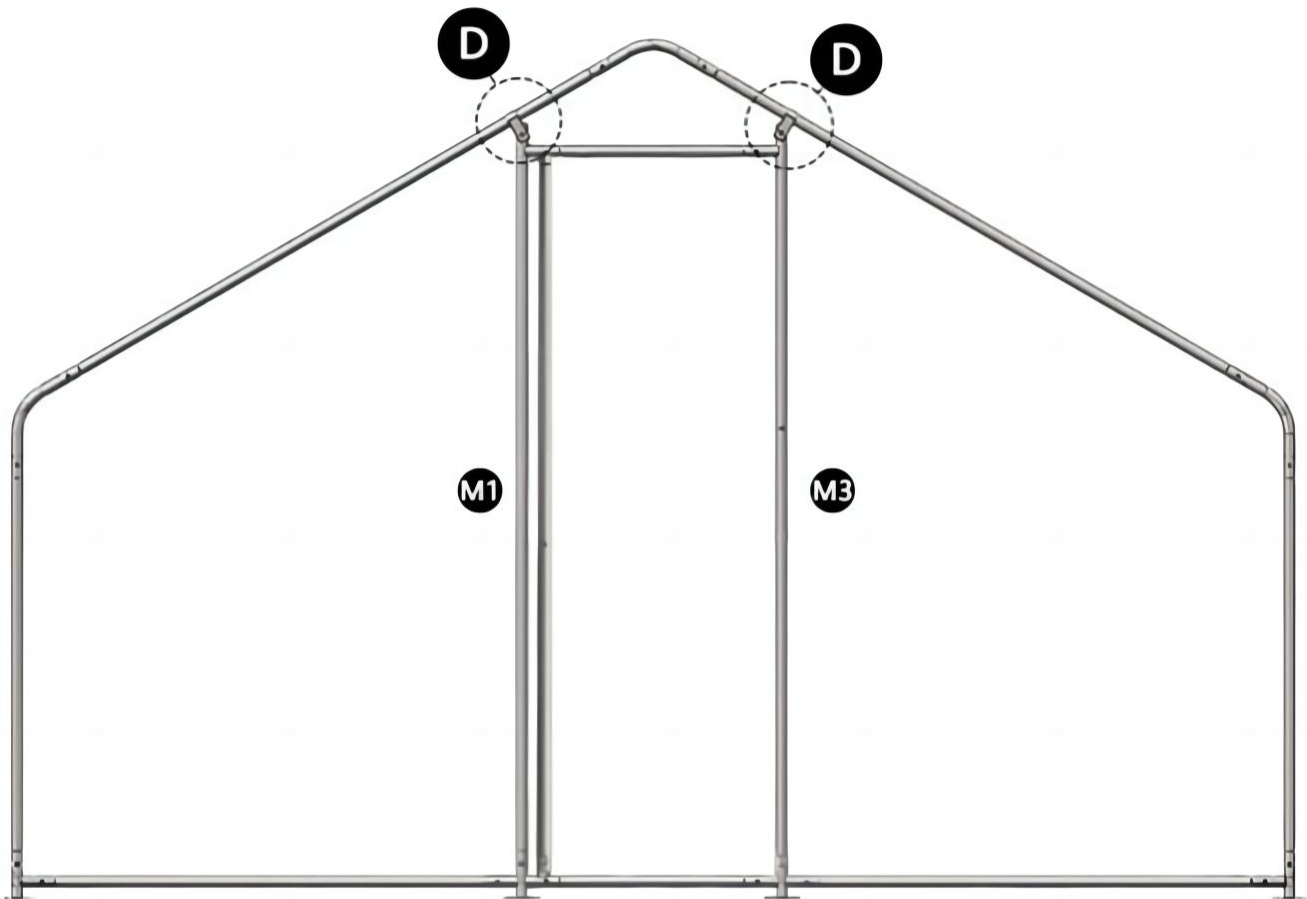
Step 13

As shown in the picture, "M1" and "M3" are connected through tube "2".



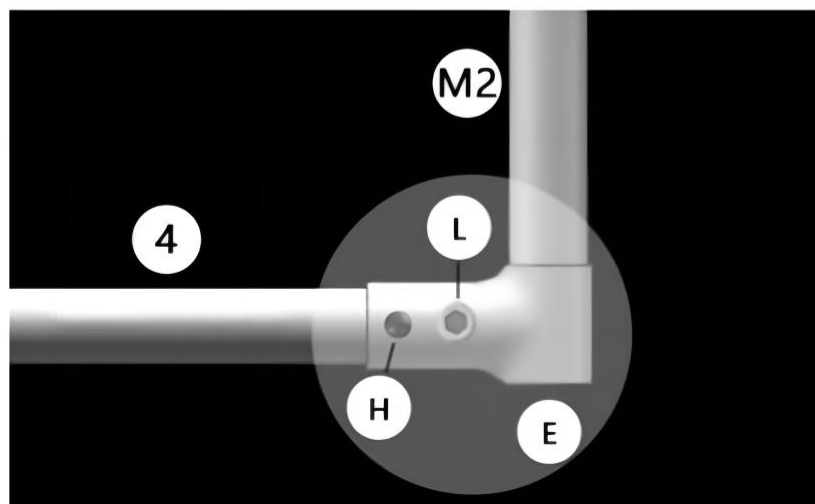
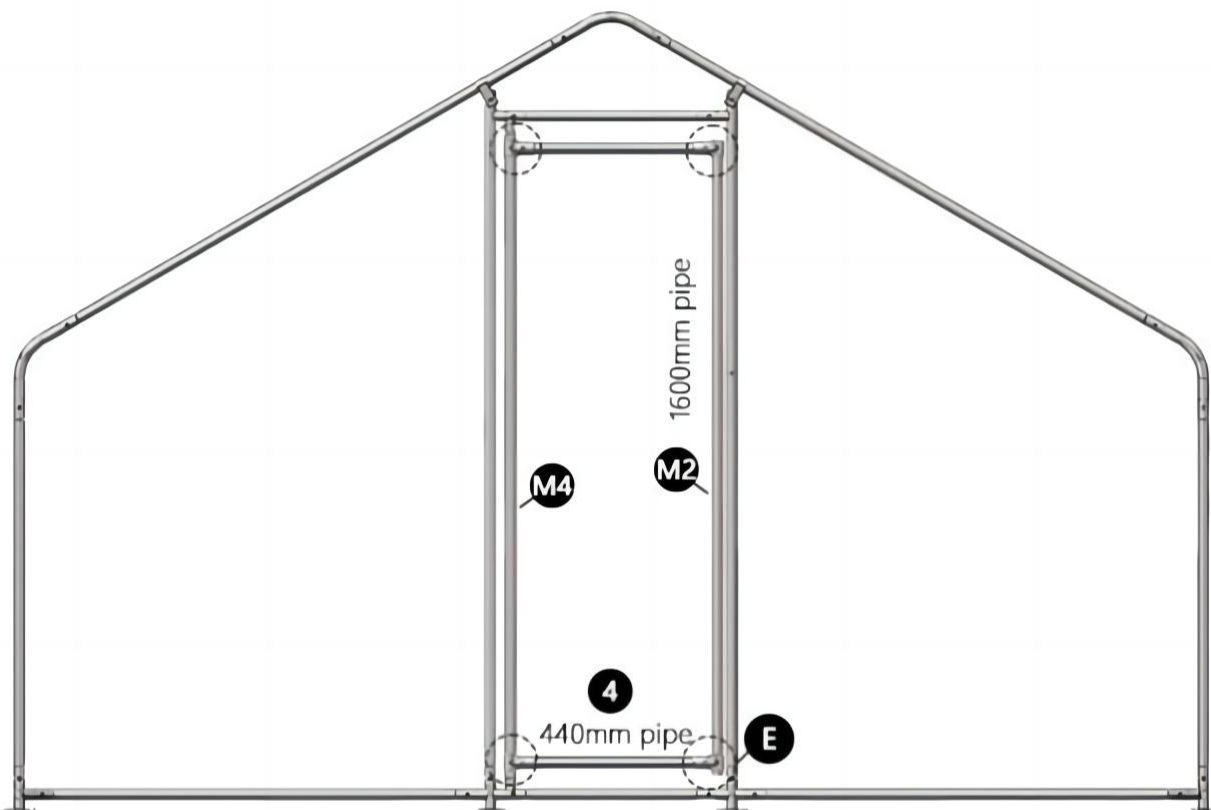
Step 14

"M1" and "M3" are fixed to the top bracket with the hoop "D".



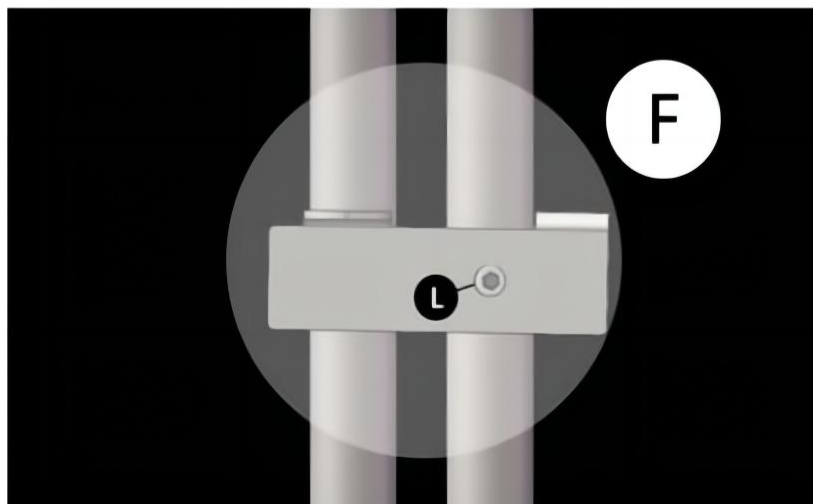
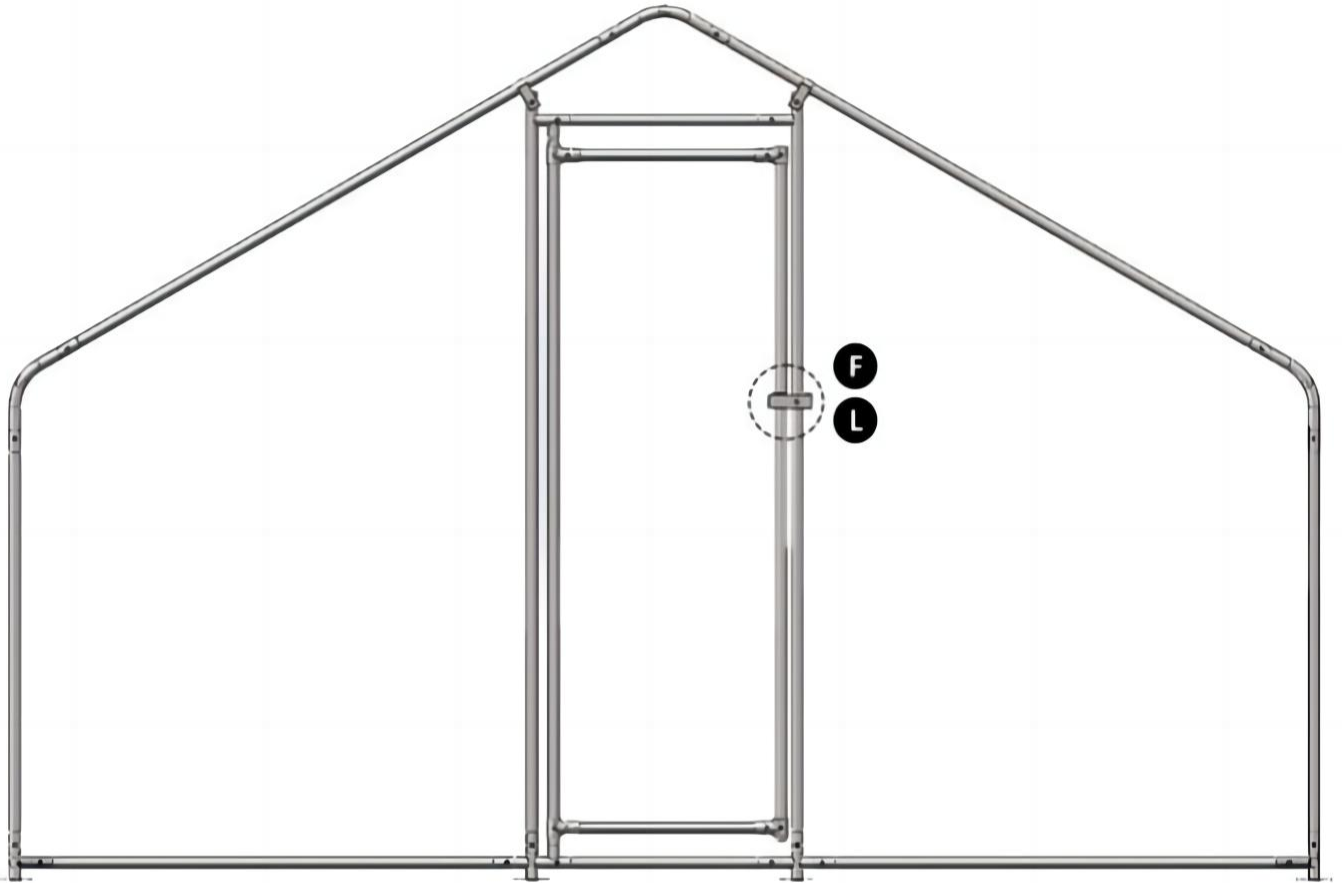
Step 15

Connect "M2" to "4" with "E" fixed connector
Connect "4" to "M4" using the "E" fastener
Complete the inner door frame.



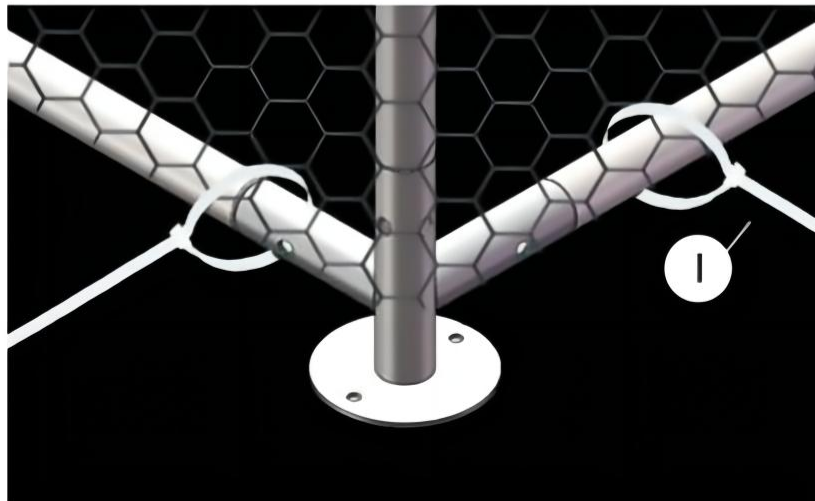
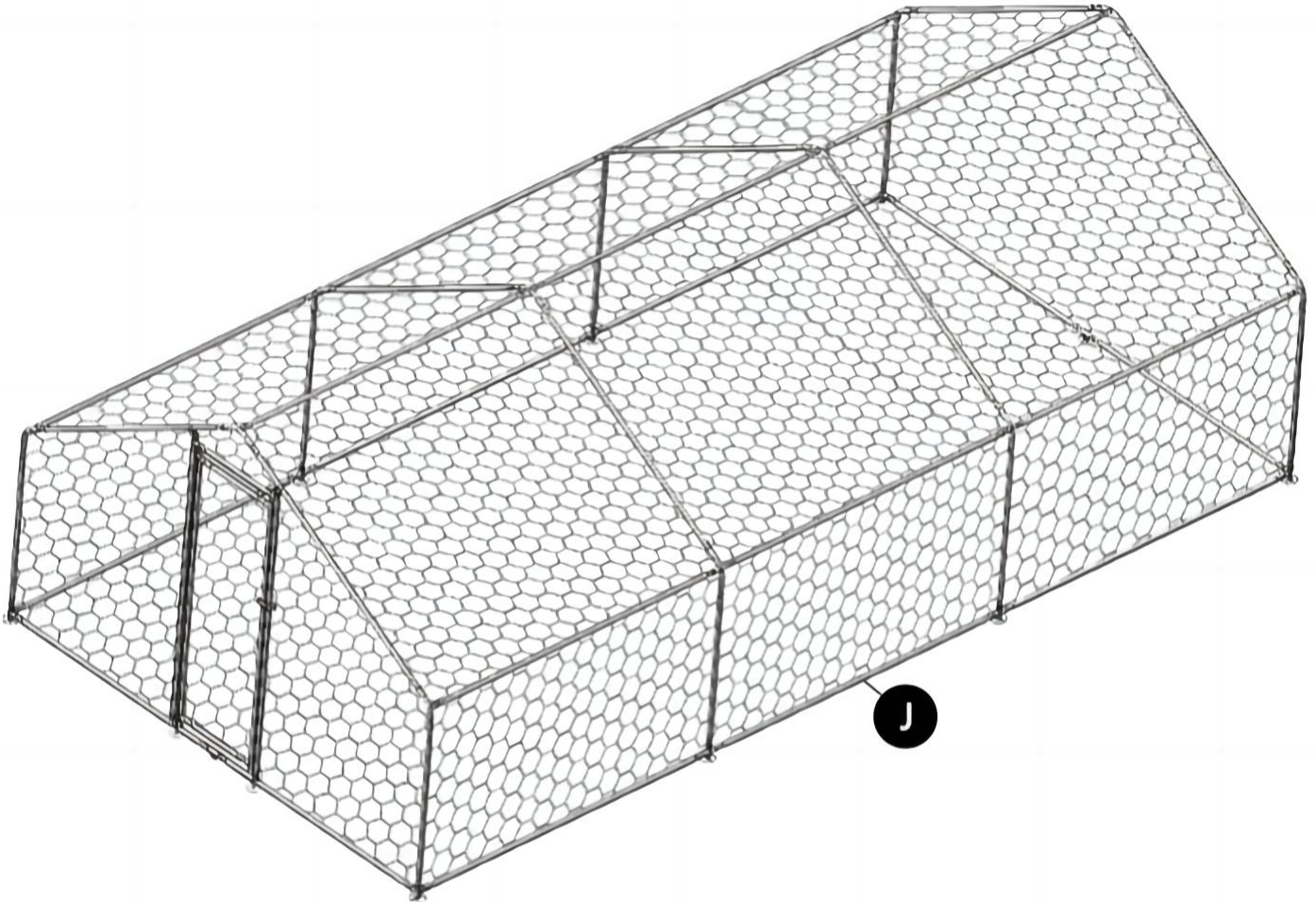
Step 16

As shown in the picture, lock the door with " F " and tighten the "L" screw.



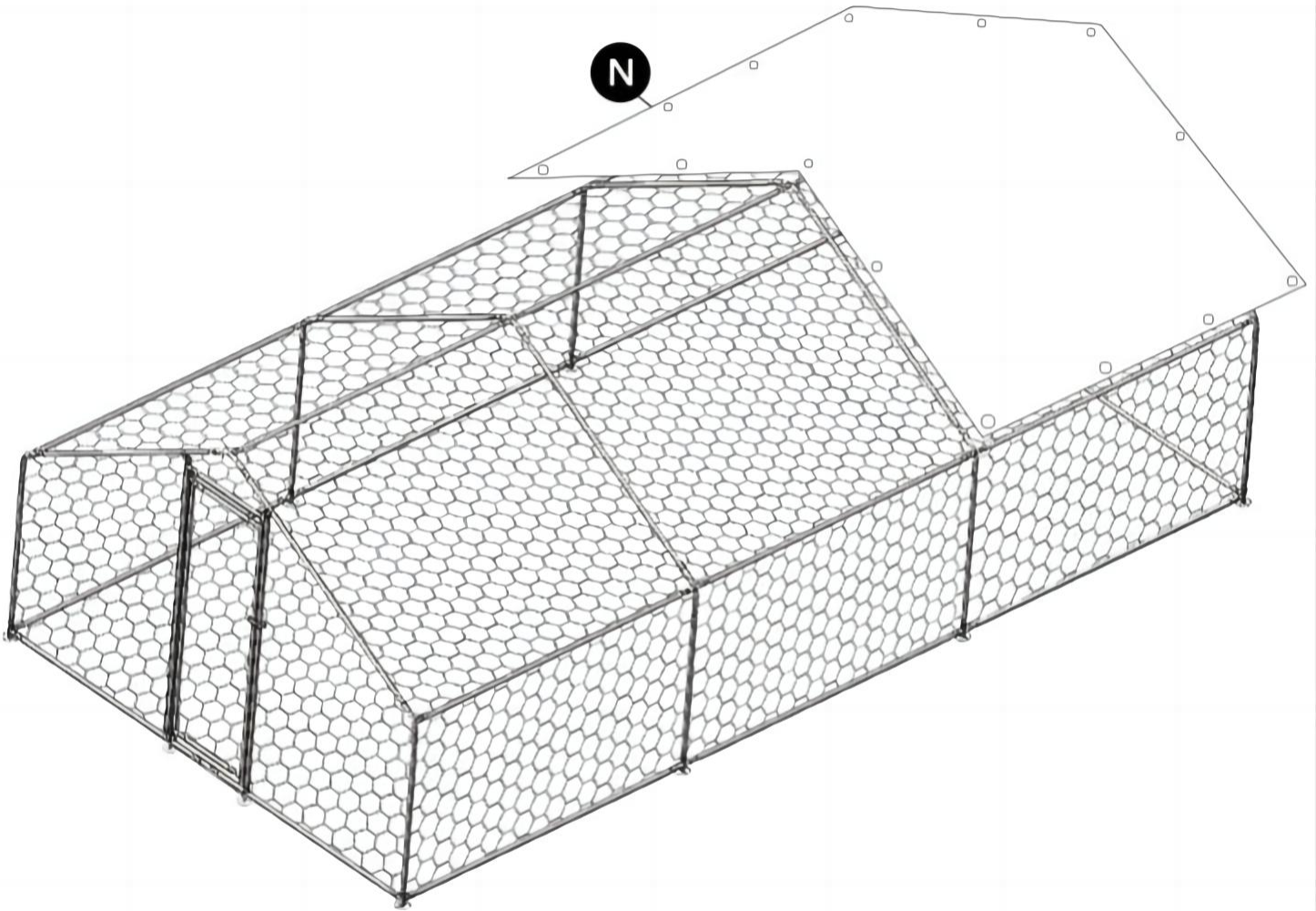
Step 17

Wrap it with a "J" and secure it to the round tube with an "I".



Step 18

Place the tarp "N" over the frame and tie it to the frame with "K".



Step 19

Insert the ground anchor "G" into the ground to make the cage more durable and stable.

