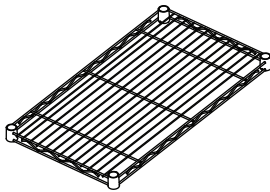
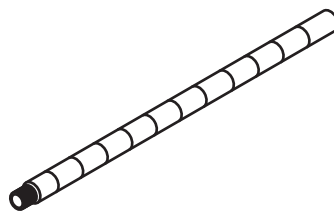
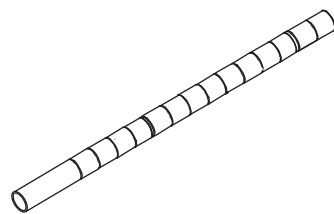
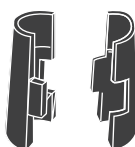
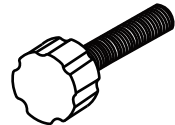





## PARTS LIST

Please check and make sure that you have all the parts ready before beginning assembly

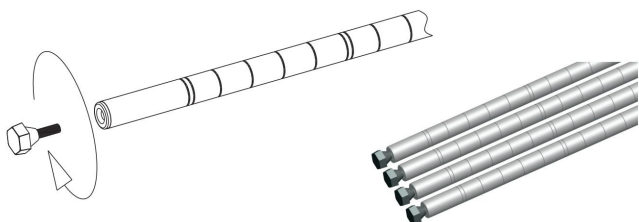
| Parts | <b>A</b><br>Shelf   | <b>B</b><br>Top Post  | <b>C</b><br>Down Post   |
|-------|---|---|---|
| Photo |  |  |  |
| Qty   | 5   | 4   | 4   |

| Parts | <b>D</b><br>Clip  | <b>E</b><br>Leveling Foot   | <b>F</b><br>Wheels  |
|-------|---|---|---|
| Photo |  |  |  |
| Qty   | 40/8(Spare)   | 4   | 4   |

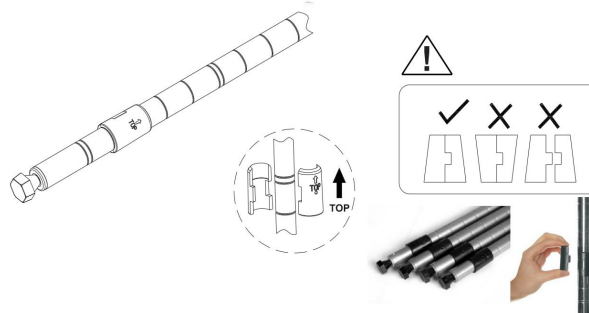
# Assemble Instruction

## I Assemble Step:

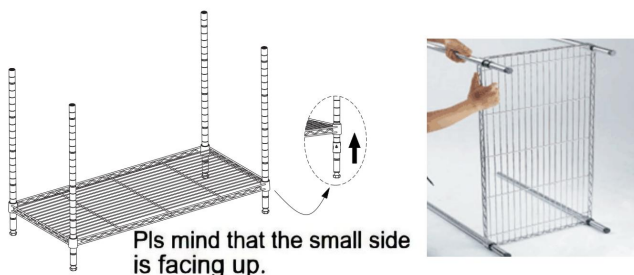
1. Assemble the feet into the bottom tube



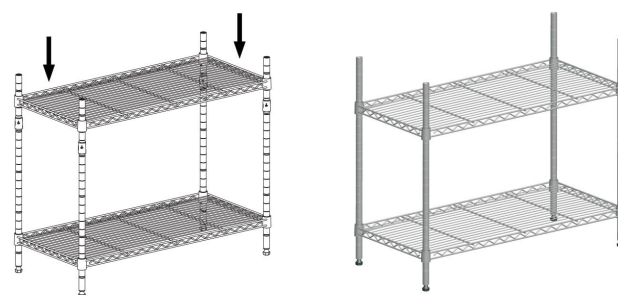
2. Snap the clip on the tube at the same level



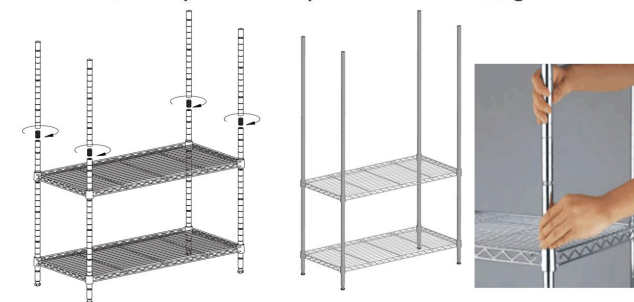
3. Assemble the bottom shelf first. Put the tube into the collar from the bottom side.



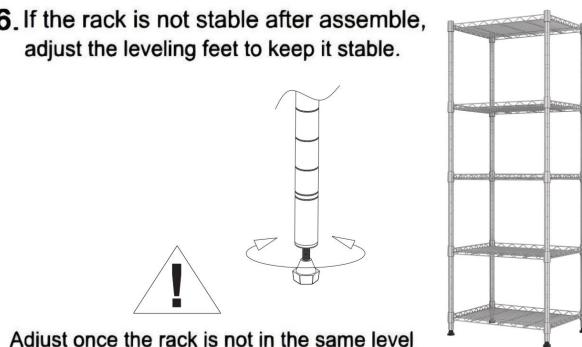
4. The shelf down from the top of the tube onto the clip.



5. Screw the upper post into the lower post with the screw connector, then repeat the step 4 for the remaining shelves



6. If the rack is not stable after assemble, adjust the leveling feet to keep it stable.



## II Remarks

1. Pls check the part lists before assembling.
2. Follow the instruction for assembling
3. Pls assemble at the flat floor
4. Pls assemble at the same level of the post to keep it balanced
5. Using plastic hammer to fix the shelf to keep it steady

## III Maintenance

1. Keep using it at dry and ventilation environment
2. If using on the soft floor, using leveling feet to keep it stable.
3. Loading the heavier things on the bottom shelf to avoid unbalanced.
4. Pls take off the things from rack when moving the rack.
5. Pls do not using acid liquid or alcohol or other chemical to clean in order to avoid any rust.