

5 Lite Glass Sliding Door

INSTALLATION MANUAL

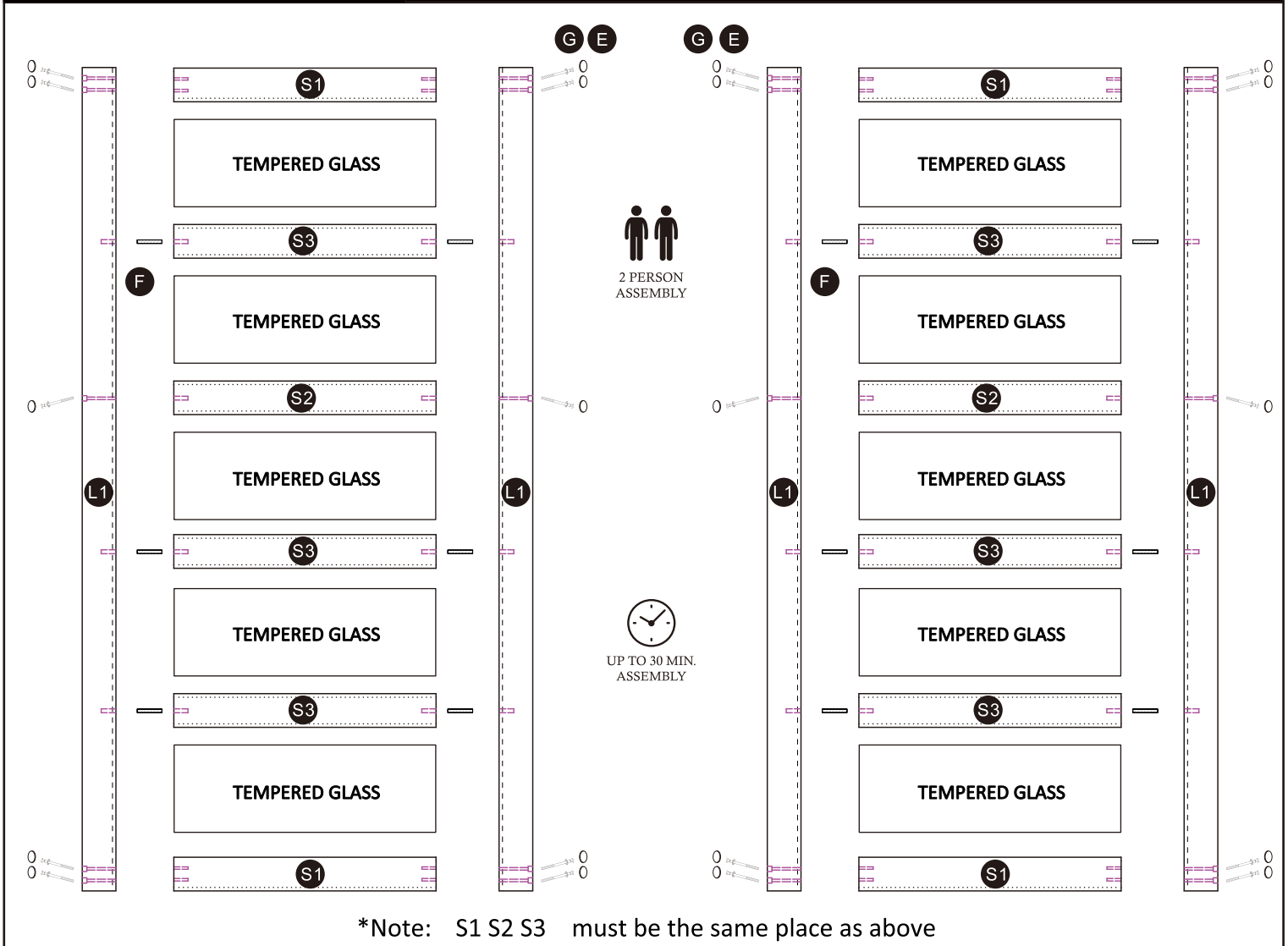
In case of questions or missing parts, please contact



Scan Here For Latest Version
(Sliding Doors-SD04)

✉ Dooraftersale@gmail.com

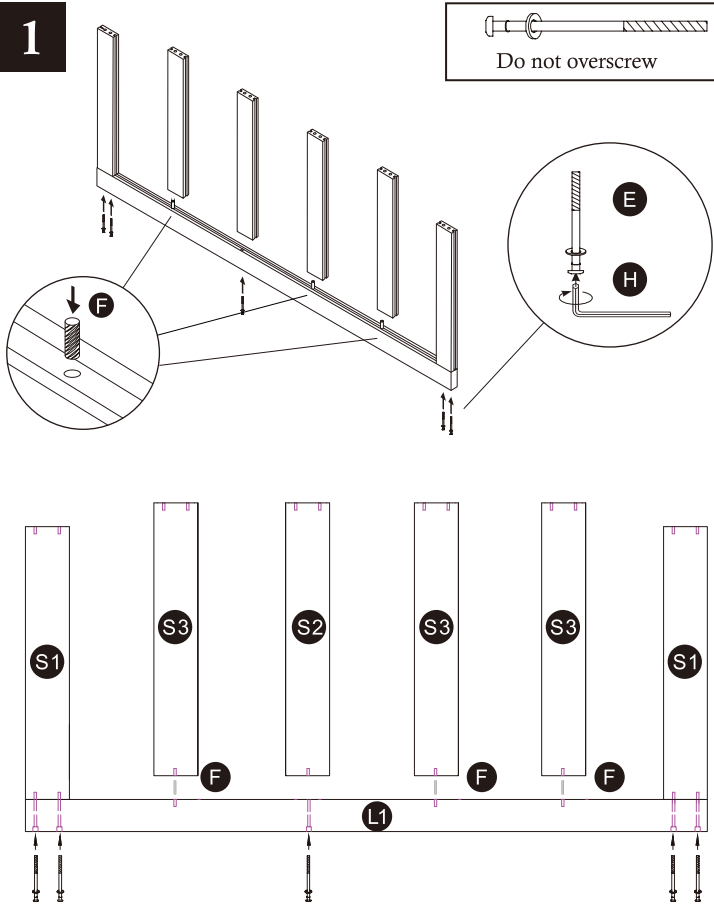
Assembly Diagram



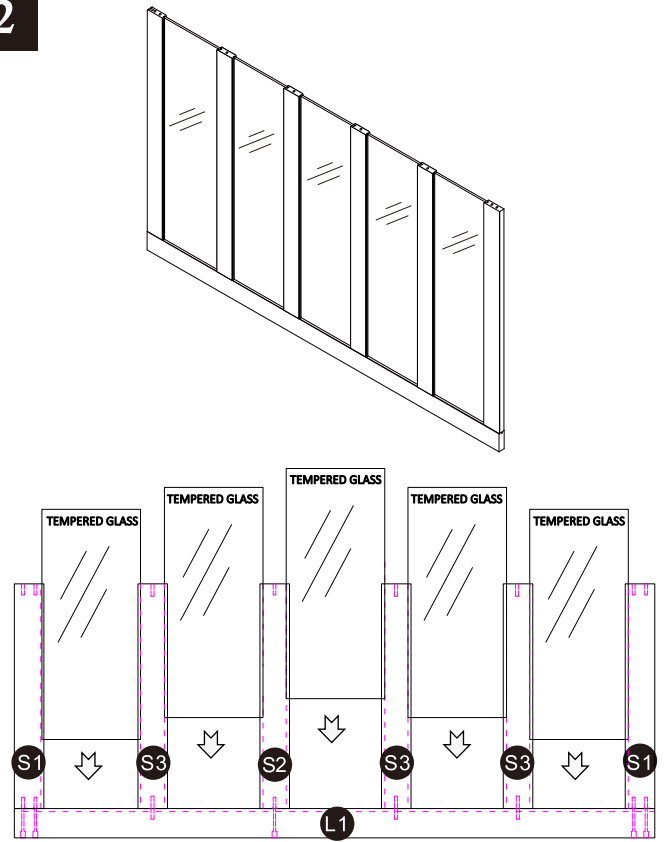
Hardware List		L1	TEMPERED GLASS	F	G	E		
	<p>x4 pcs</p>	<p>x4 pcs</p>	<p>x2 pcs</p>	<p>x6 pcs</p>	<p>x1 pcs</p>	<p>x12 pcs</p>	<p>x20 pcs</p>	<p>x20 pcs</p>

Assembly Steps

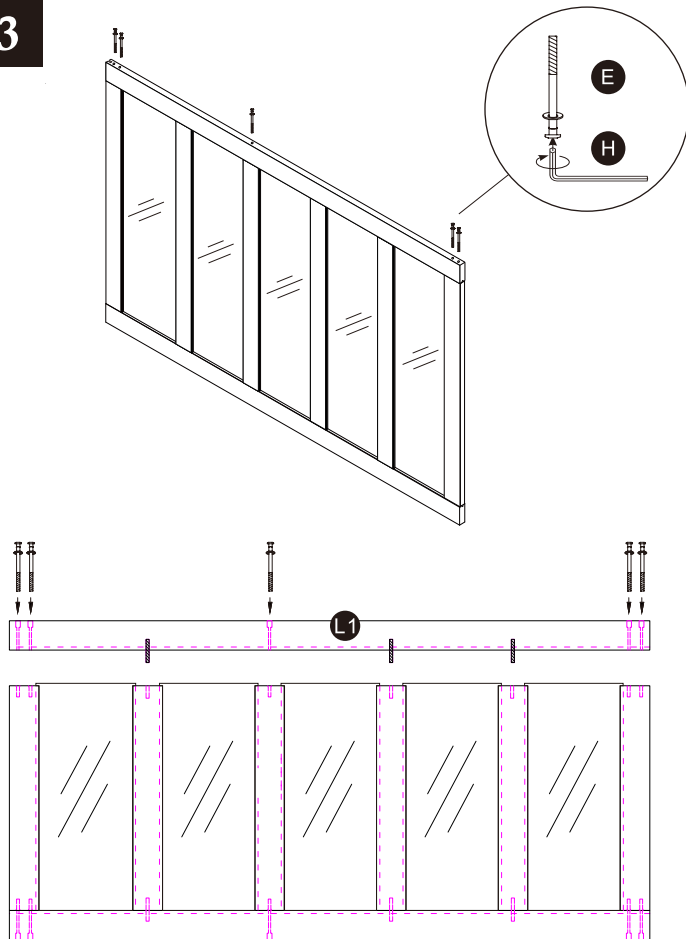
1



2



3



4

*Repeat the preceding steps twice.

