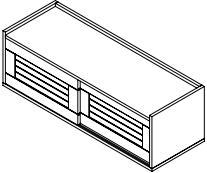
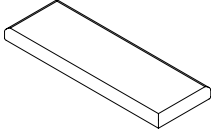
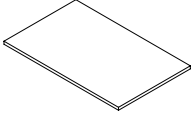
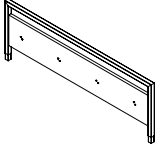
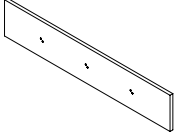
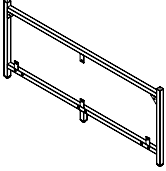
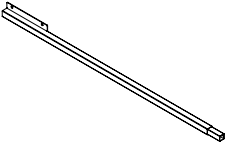
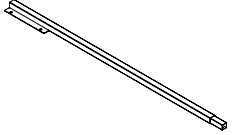
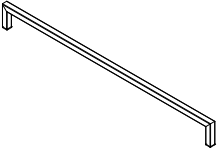
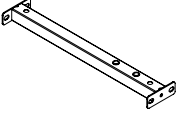
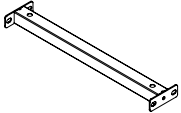
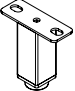
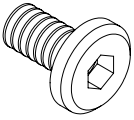
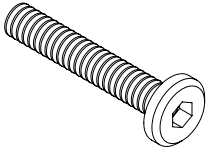
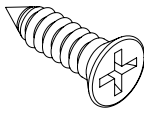
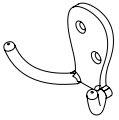
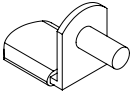
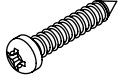
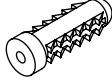



ASSEMBLY INSTRUCTION

HALL TREE WITH CABINET & CUSHION

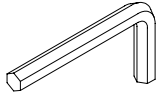
<p>A Wood Box</p>  <p>1PC</p>	<p>B Seat Cushion</p>  <p>1PC</p>	<p>C Shelf Panel</p>  <p>2PCS</p>	<p>D Upper Frame</p>  <p>1PC</p>
<p>E Lower Panel</p>  <p>1PC</p>	<p>F Lower Frame</p>  <p>1PC</p>	<p>G Side Frame-LSR</p>  <p>1PC</p>	<p>H Side Frame-RSF</p>  <p>1PC</p>
<p>I Bottom Cross Bar</p>  <p>1PC</p>	<p>J Bottom Center Cross Bar</p>  <p>1PC</p>	<p>K Bottom Side Cross Bar</p>  <p>2PCS</p>	<p>L T-Shaped Leg</p>  <p>1PC</p>
<p>M Bolt 1/4"x1/2"xØ15</p>  <p>32PCS</p>	<p>N Bolt 1/4"x1-1/2"xØ15</p>  <p>6PCS</p>	<p>O Bolt 3.5 x 15 x 6mm</p>  <p>14PCS</p>	<p>P Coat Hook</p>  <p>7PCS</p>
<p>Q Shelf Pin</p>  <p>8PCS</p>	<p>R Wood Screw 4 x 25 x 9mm (Anti-Tipping)</p>  <p>2PCS</p>	<p>S Wall Anchor (Anti-Tipping)</p>  <p>2PCS</p>	<p>T Mounting Plate (Anti-Tipping)</p>  <p>4PCS</p>

U Connection Strap
(Anti-Tipping)



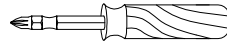
2PCS

V Allen Wrench
1/4"

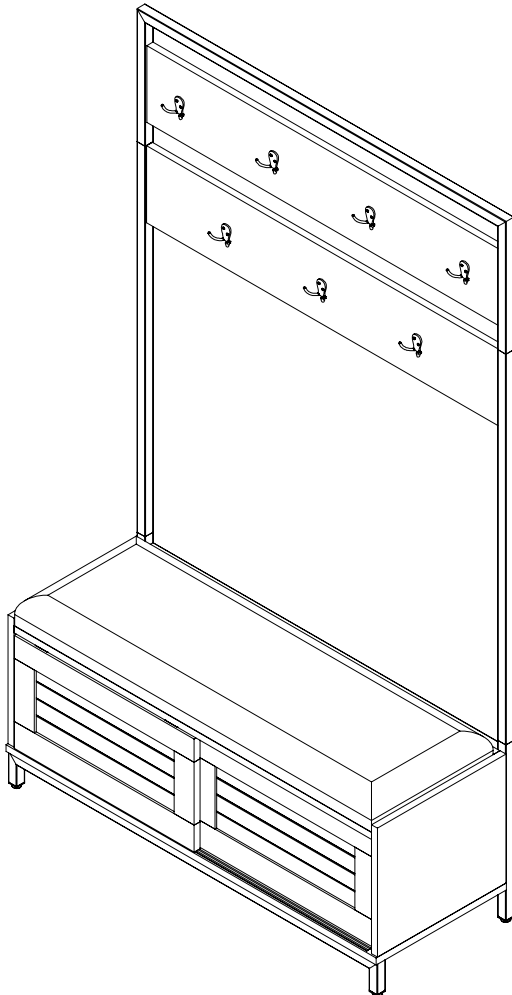


1PC

W Screw Driver
(Not Provided)



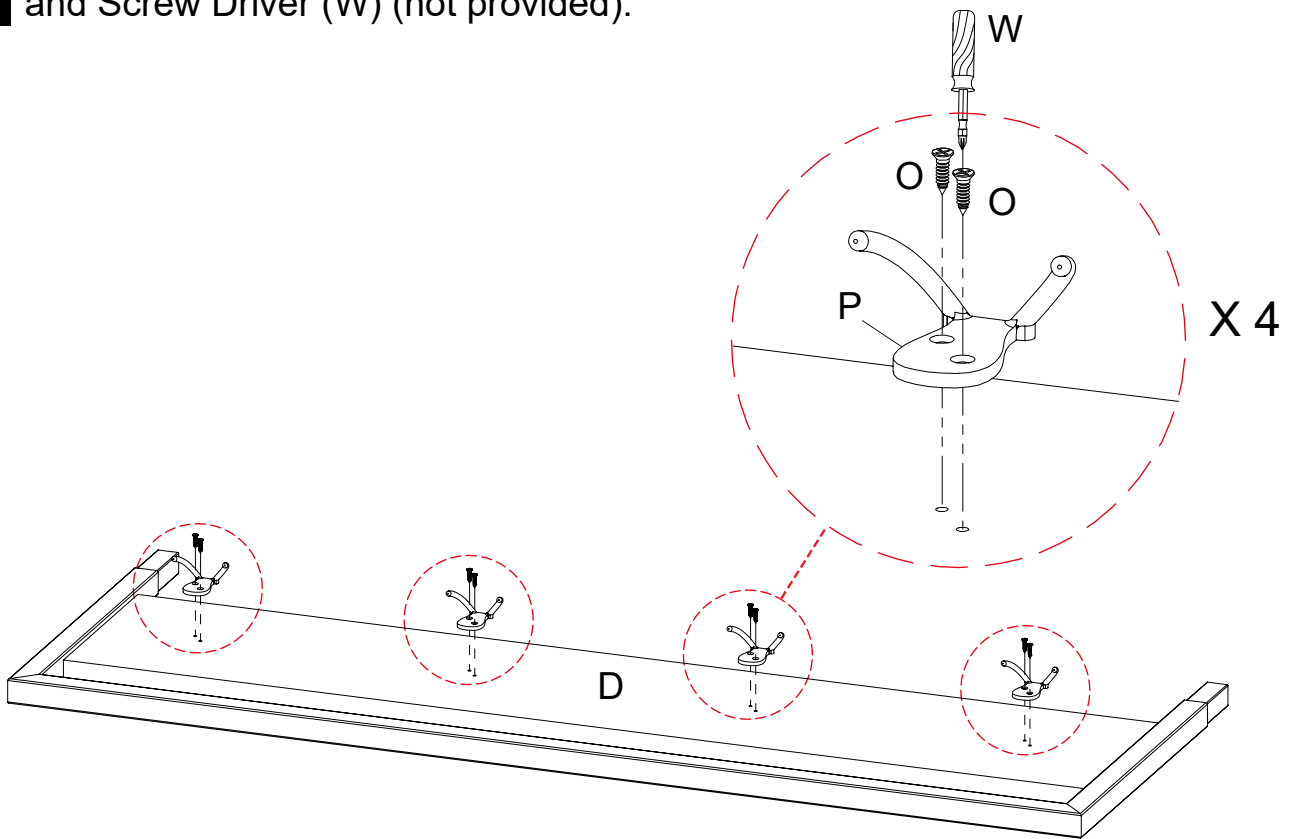
1PC



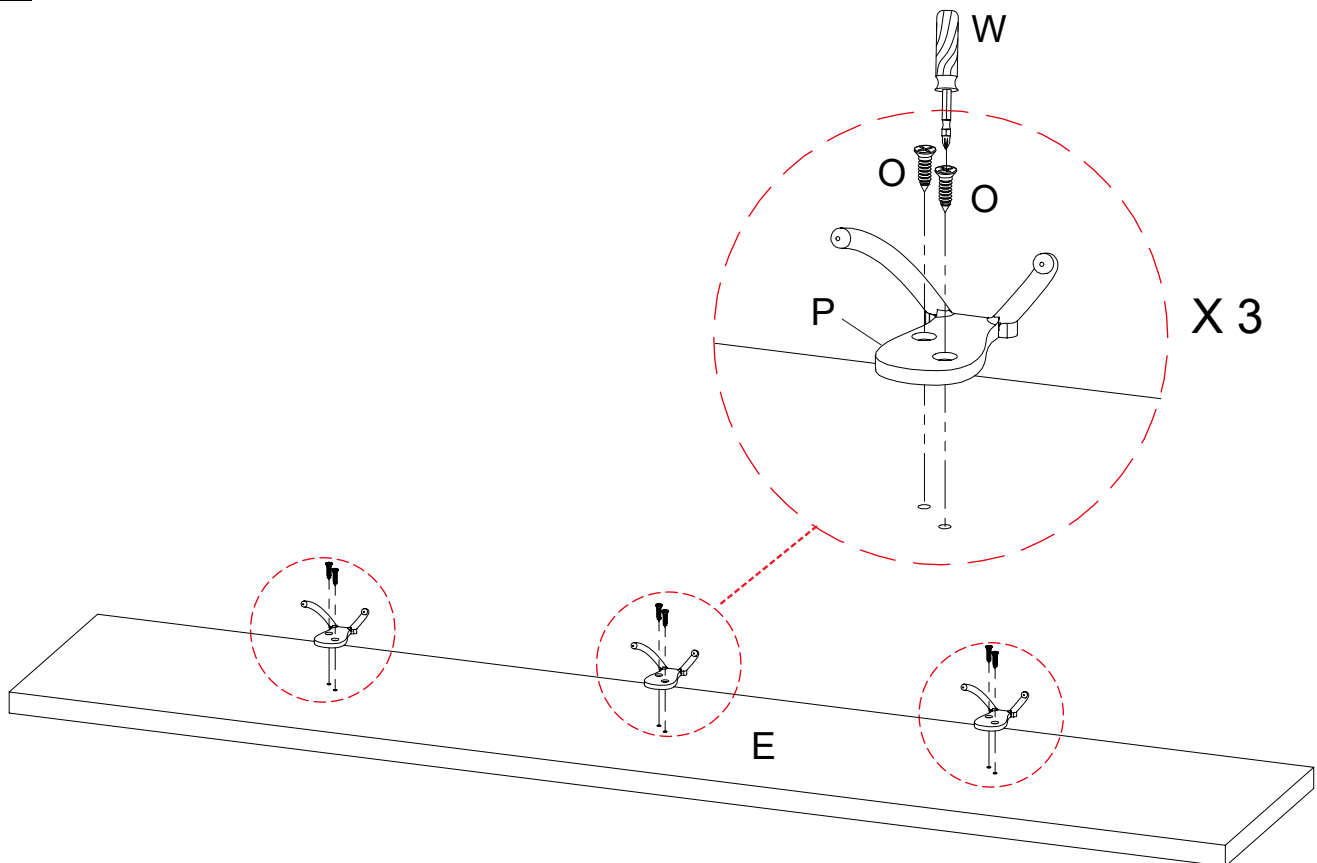
Page 1 and 2 list all the contents included in the box. Please take the time to identify the hardware as well as the individual components to this product. As you unpack and prepare for assembly, place the contents on a carpeted or padded area to protect them from damage.

***Do not tighten screws & bolts until the entire unit is completely assembled.

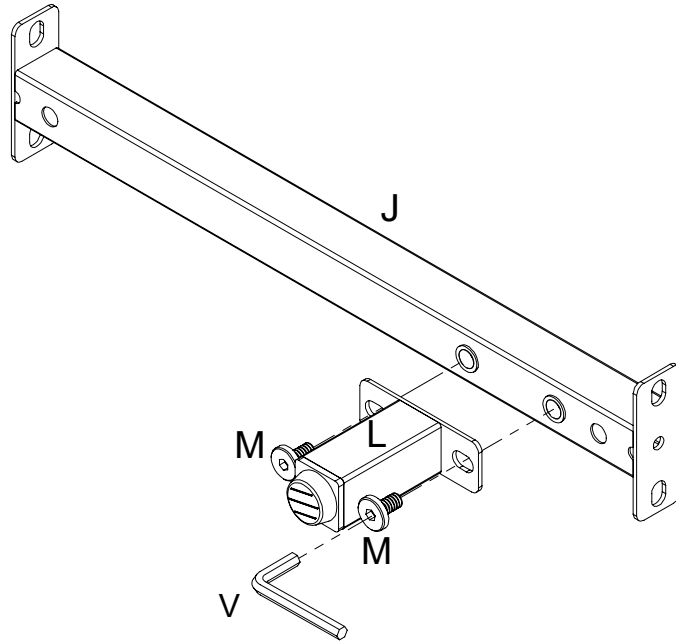
- 1 Attach Coat Hook (P) to the Upper Frame (D), then secure by using Bolt (O) and Screw Driver (W) (not provided).



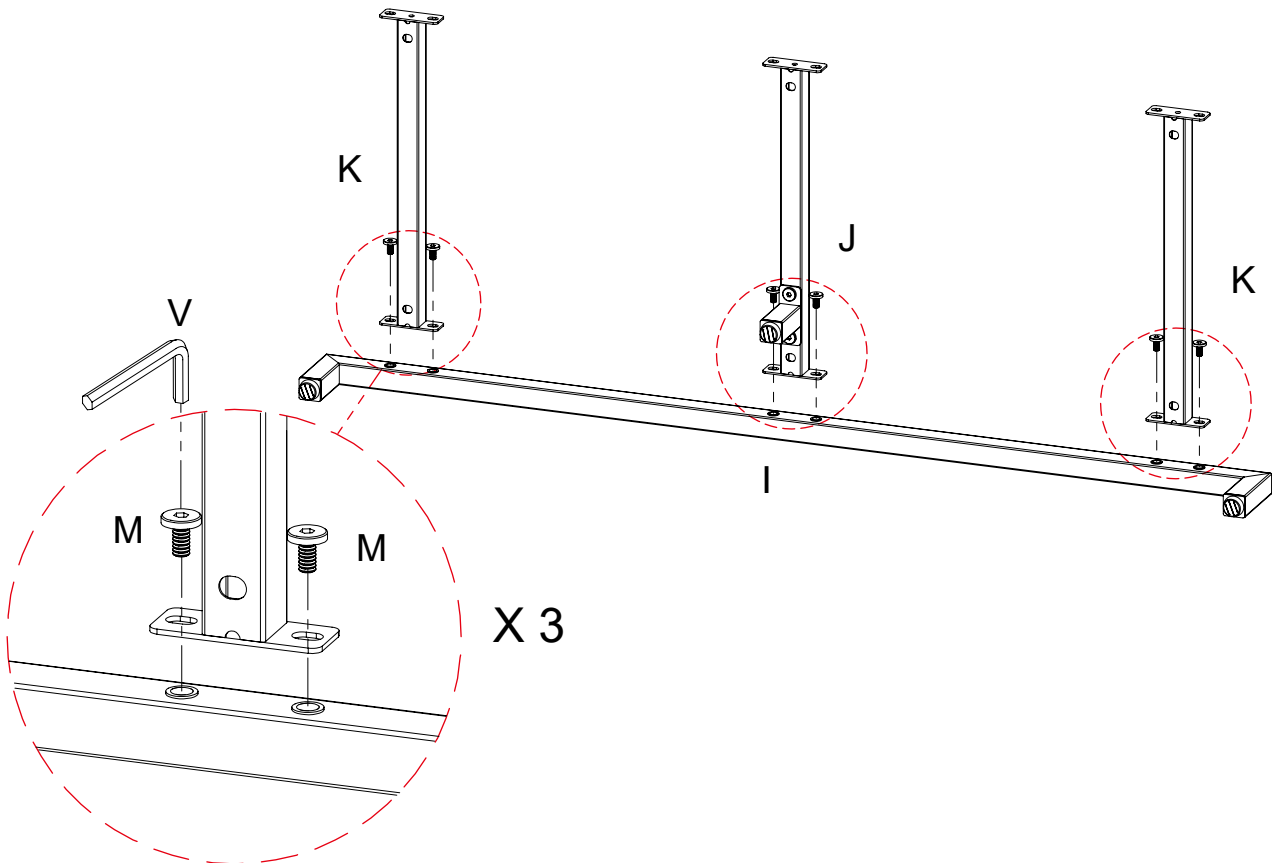
- 2 Attach Coat Hook (P) to the Lower Panel (E), then secure by using Bolt (O) and Screw Driver (W) (not provided).



- 3** Attach T-Shaped Leg (L) to the Bottom Center Cross Bar (J), then secure by using Bolt (M) and Allen Wrench (V).

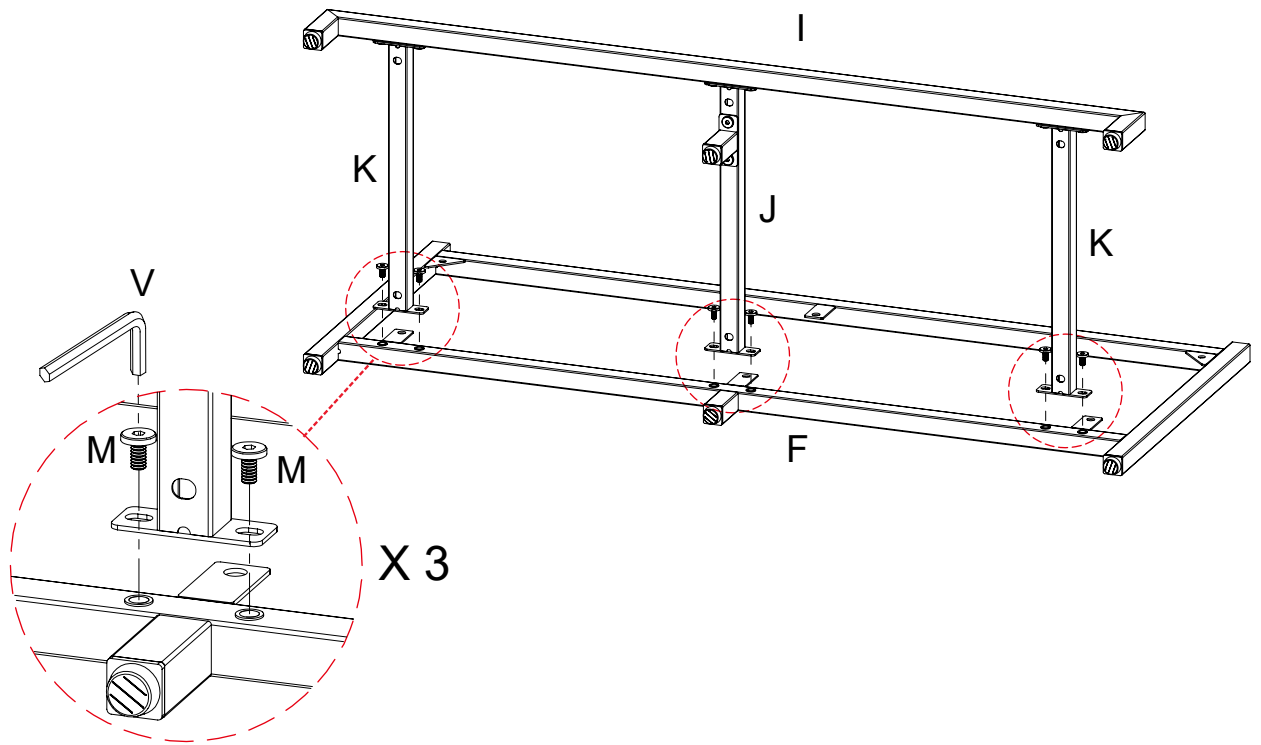


- 4** Attach both Bottom Side Cross Bar (K) and Bottom Center Cross Bar (J) to the Bottom Cross Bar (I), then secure by using Bolt (M) and Allen Wrench (V).



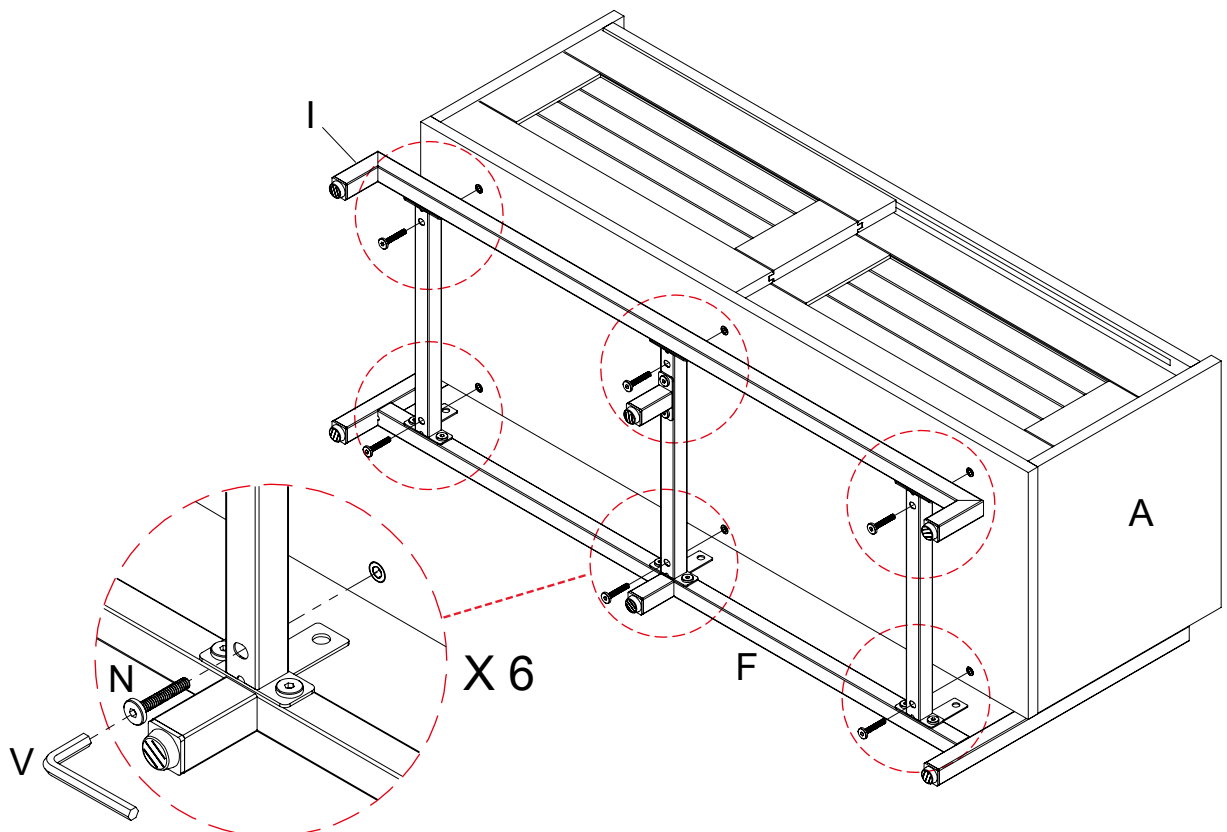
5

Attach the unit to the Lower Frame (F), then secure by using Bolt (M) and Allen Wrench (V).



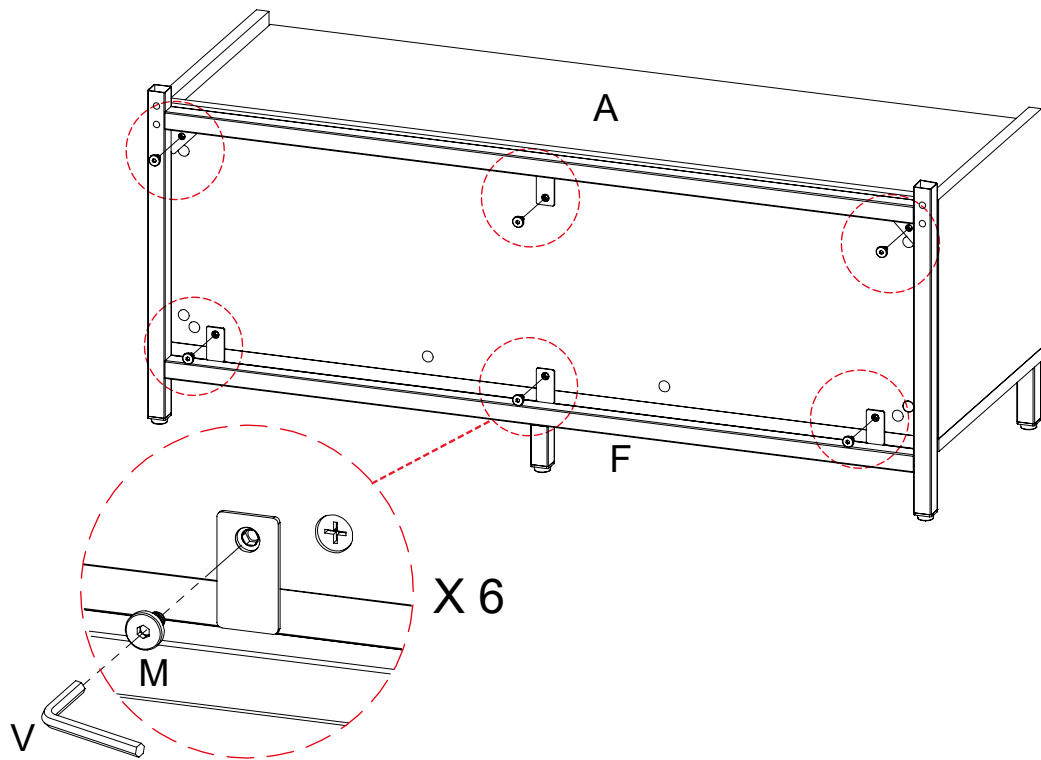
6

Attach Wood Box (A) to the unit, then secure by using Bolt (N) and Allen Wrench (V).

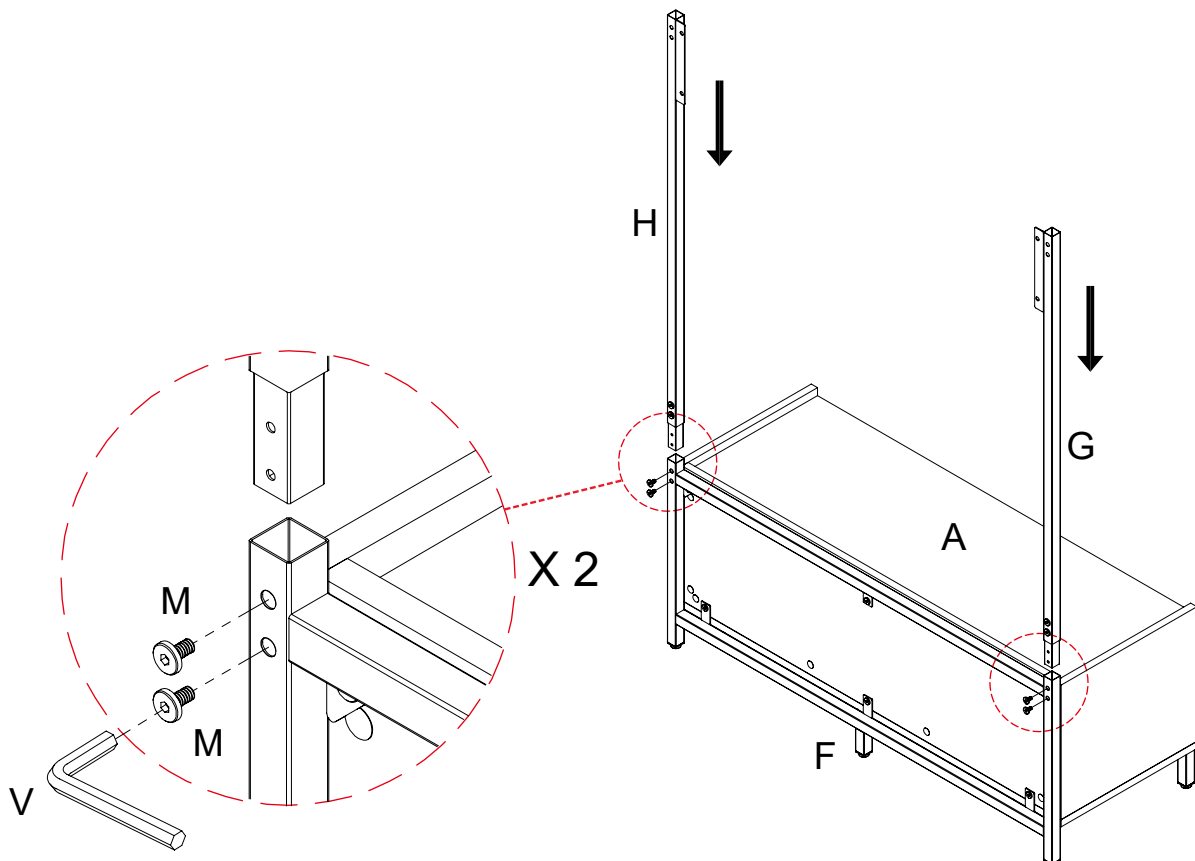


7

Secure Lower Frame (F) to Wood Box (A) with Bolt (M) and tighten by using Allen Wrench (V).

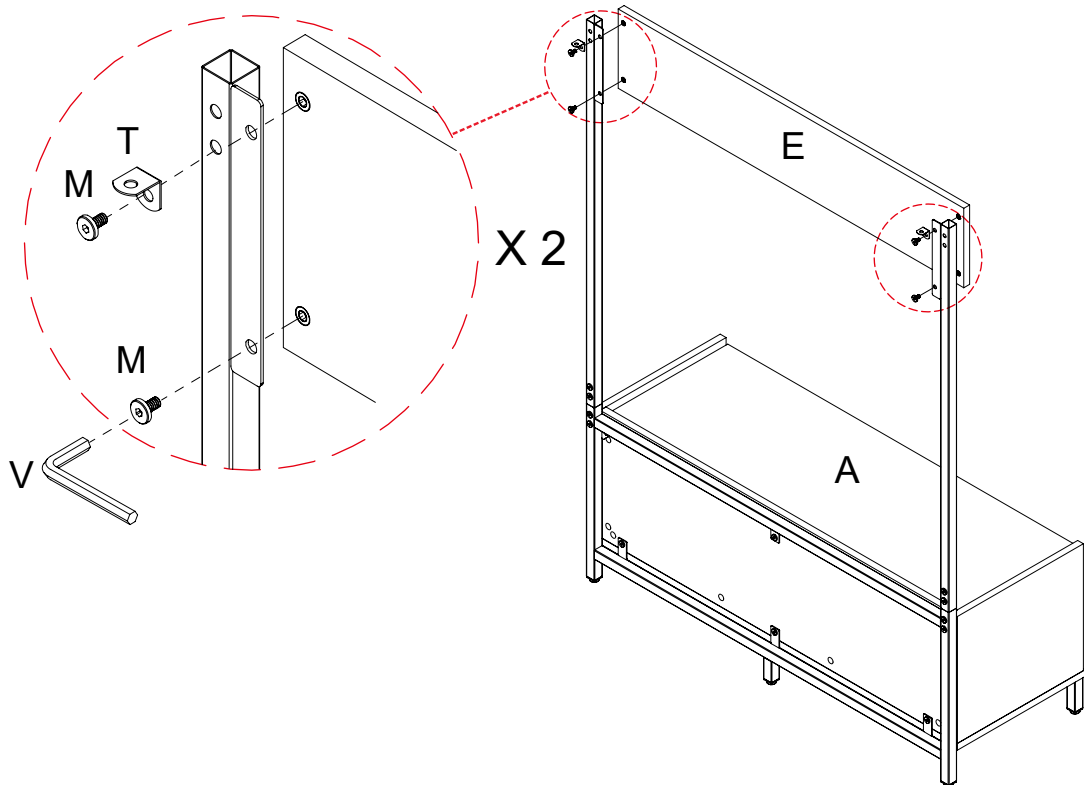
**8**

Attach both Side Frame-LSR (G) and Side Frame-RSF (H) to the Lower Frame (F), then secure by using Bolt (M) and Allen Wrench (V).

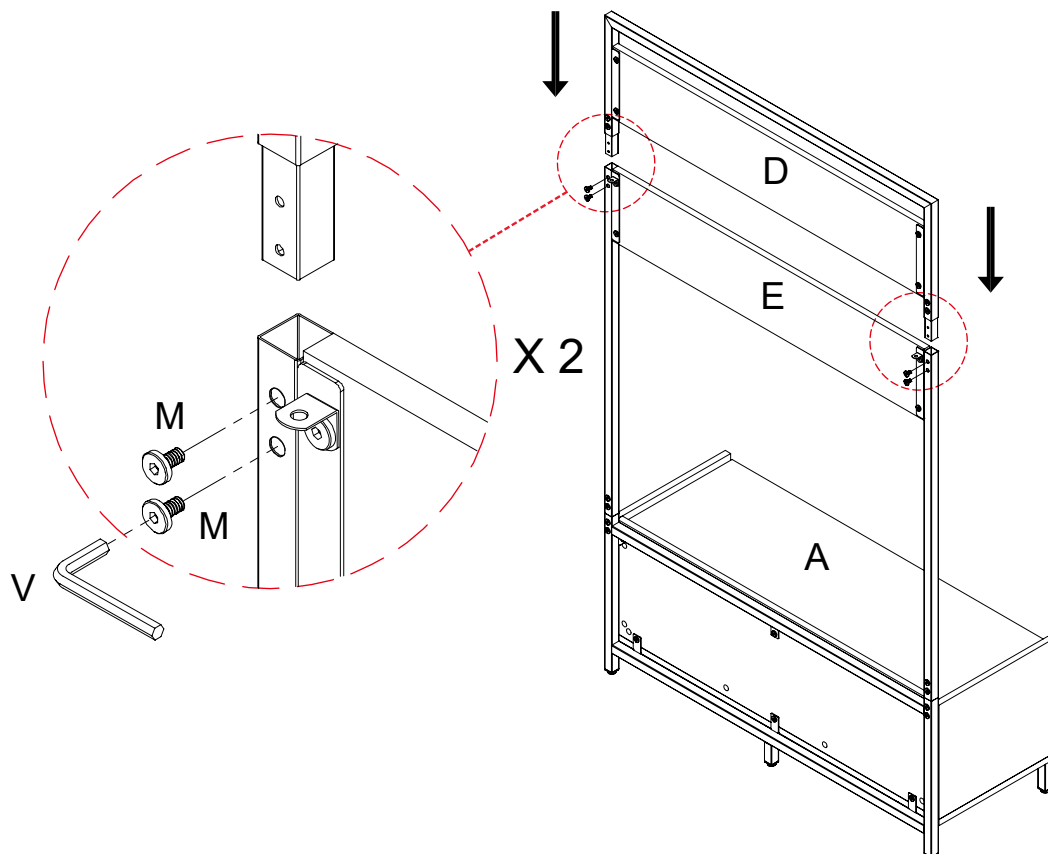


9

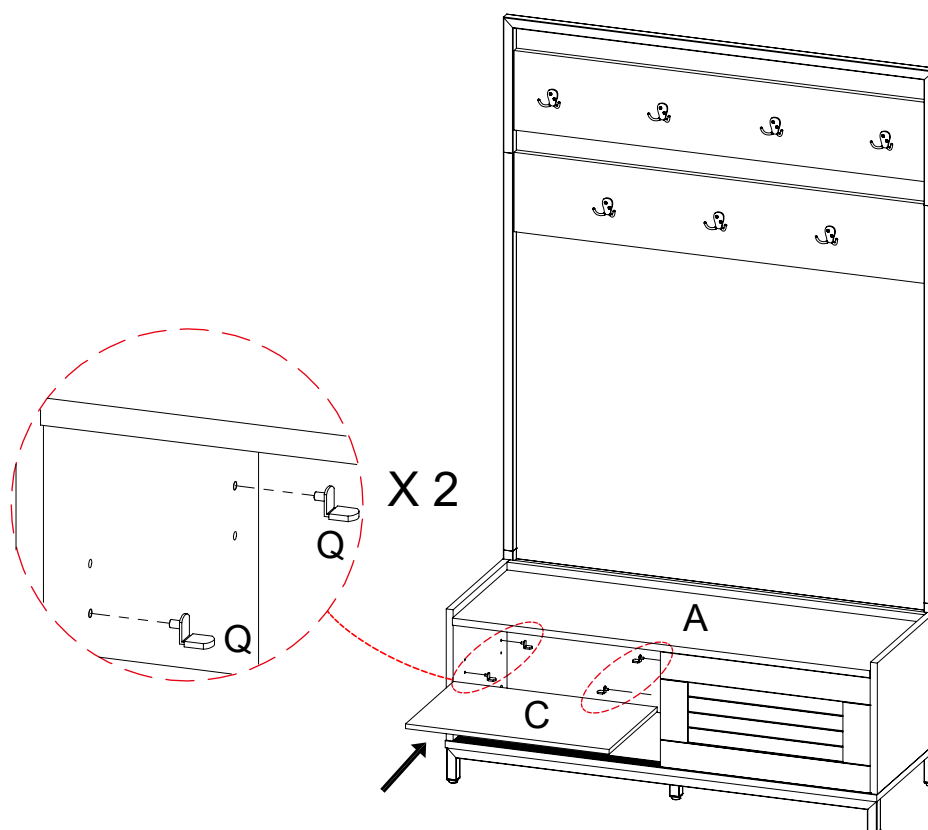
Attach Lower Panel (E) and Mounting Plate (T) to the metal frame, then secure by using Bolt (M) and Allen Wrench (V).

**10**

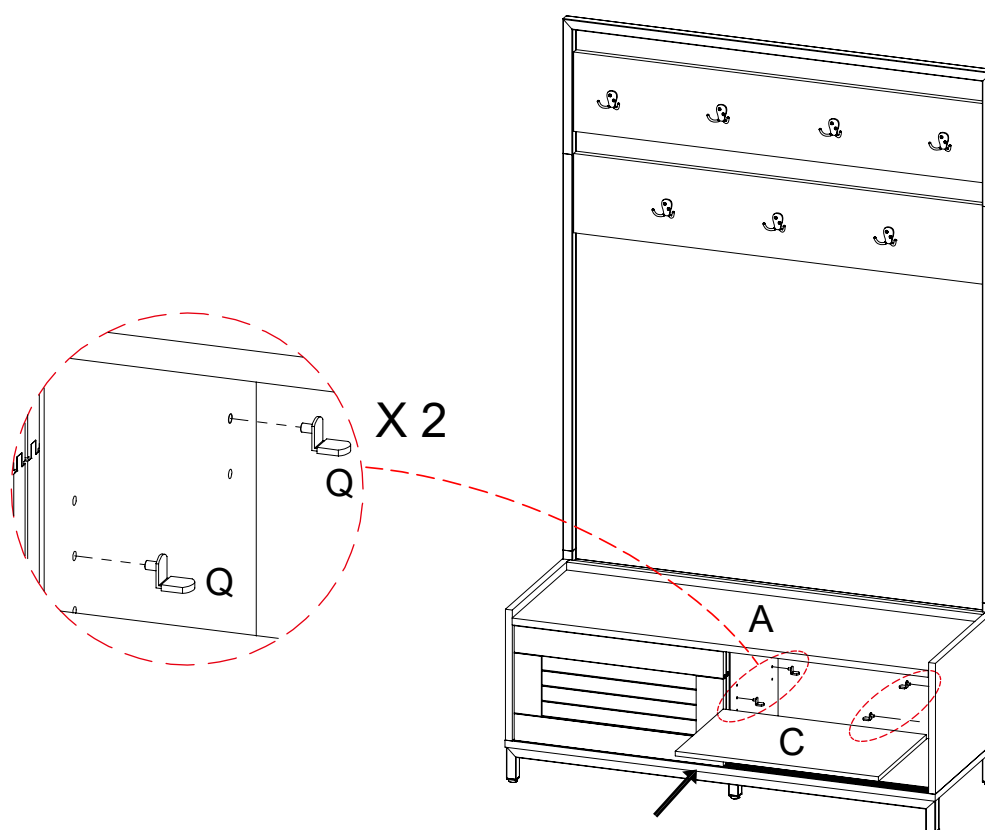
Attach Upper Frame (D) to the unit, then secure by using Bolt (M) and Allen Wrench (V).



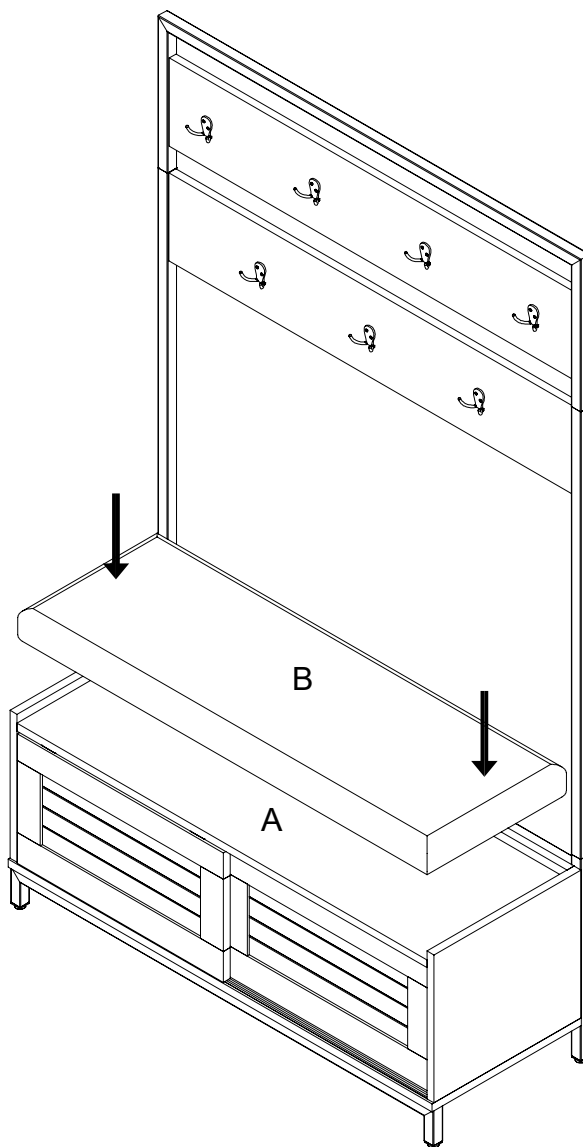
11 In the left compartment of the Wood Box (A), insert Shelf Pin (Q) to the side panels. Then place Shelf Panel (C) onto the Shelf Pin (Q).



12 In the right compartment of Wood Box (A), insert Shelf Pin (Q) to the side panels. Then place Shelf Panel (C) onto the Shelf Pin (Q).



13 Place the Seat Cushion (B) on the Wood Box (A). Product is now completely assembled.



14

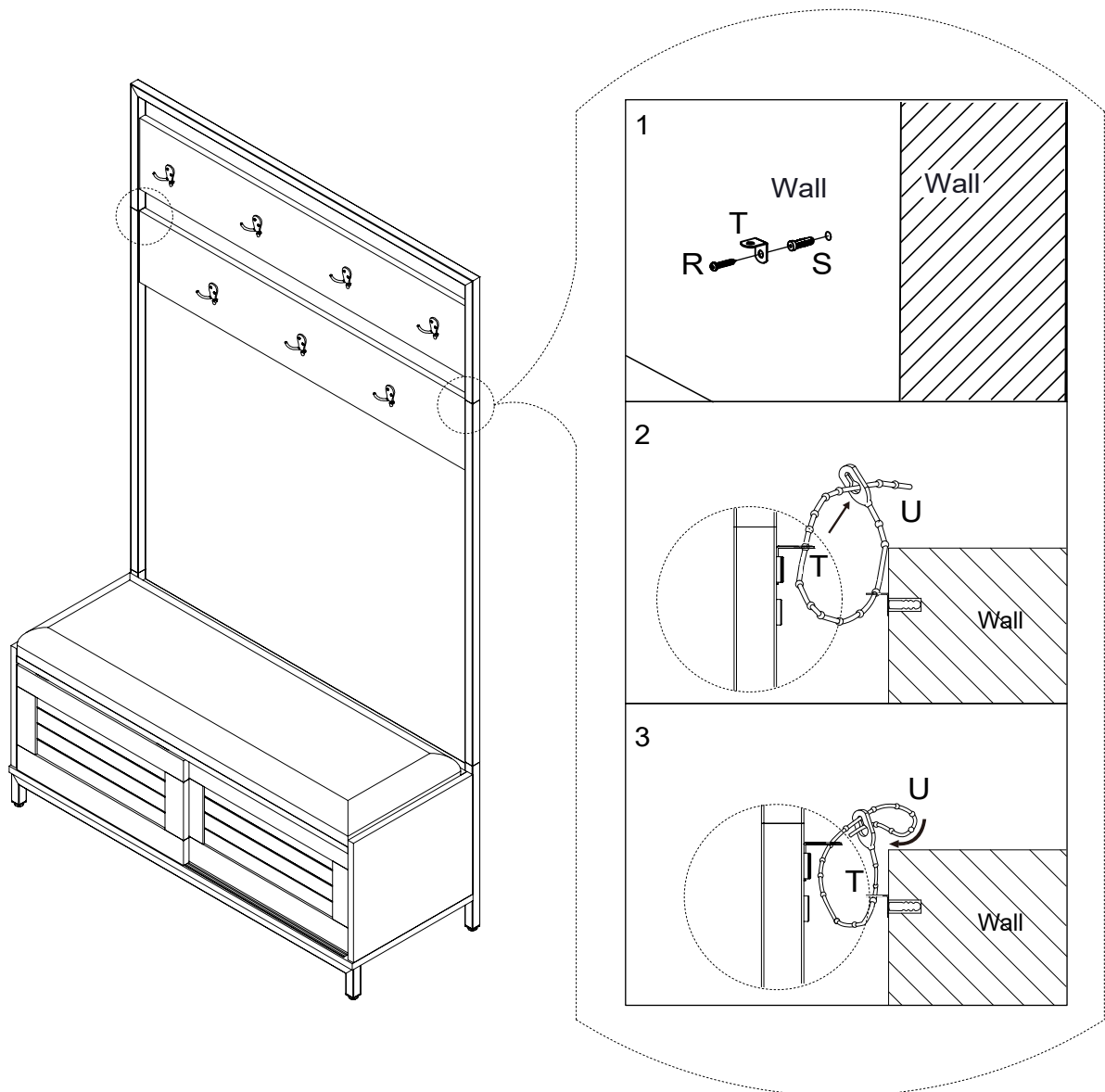
*NOTE: WE RECOMMEND THAT YOU ATTACH THE PRODUCT TO YOUR WALL AS A SAFETY PRECAUTION.

Drill 2 holes in your wall approximately 2" (Inches) BELOW the corresponding positions of Mounting Plate (T) and insert Wall Anchor (S) as shown.

*NOTE: You may need to tap LIGHTLY with a rubber mallet.

Attach Mounting Plate (T) to Connection Strap (U) with Wood Screw (R), making sure the Tabs extend UPWARD.

Now connect the corresponding Mounting Plate (T) with Connection Strap (U) and tighten as described before locking in place.

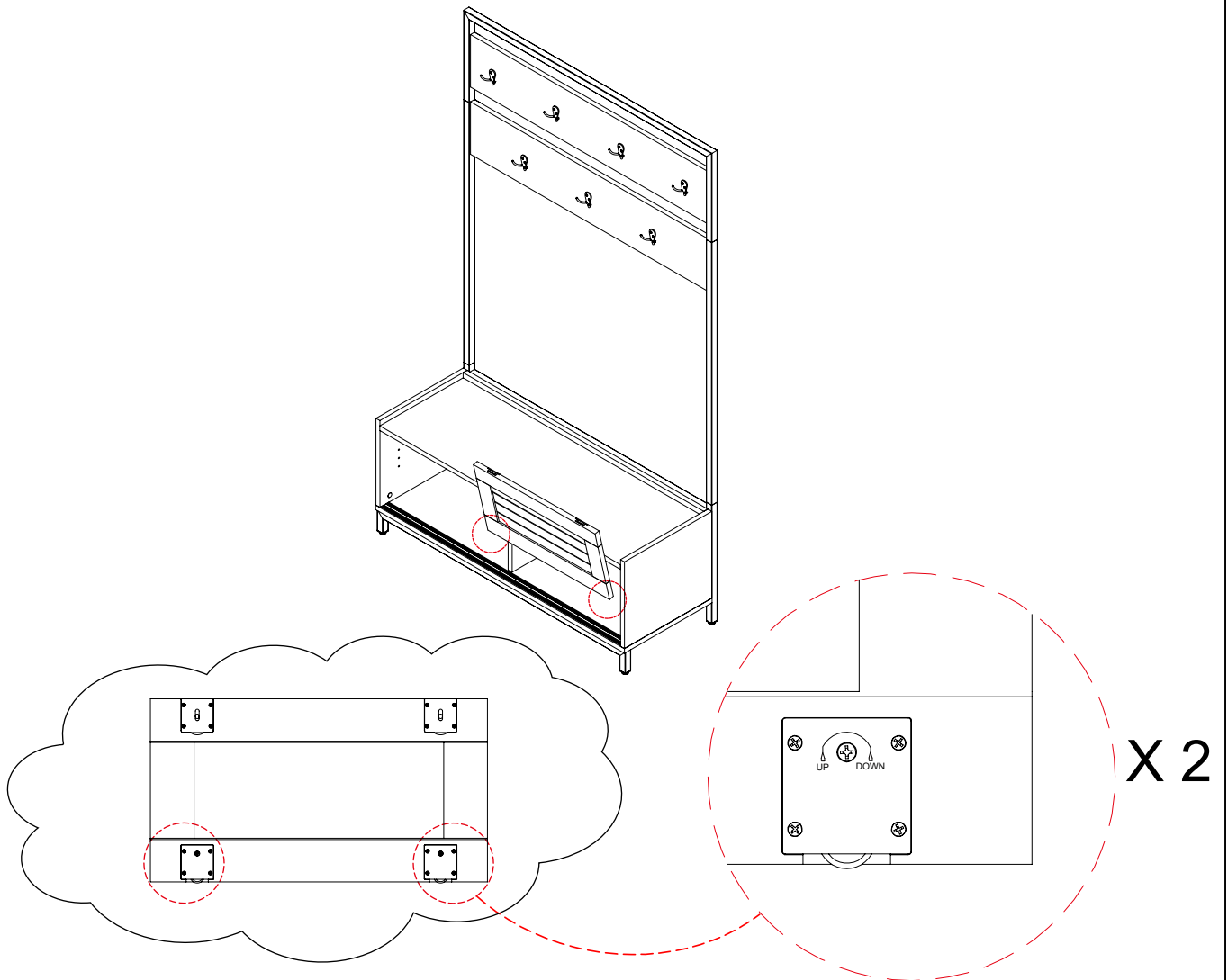


Cleaning & Care

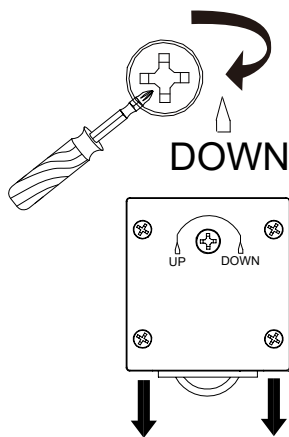
Treat surface with care. Surface is resistant to scratches but is not scratch resistant. Clean surfaces with a dry or damp soft cloth. Do not use abrasive cleaners. Hardware may loosen over time. Periodically check that all connections are tight.

Sliding Door Height Adjustment Guide

To ensure the sliding doors are properly positioned, please follow the steps below to adjust the height of sliding door.



(1) Clockwise



(2) Counter - Clockwise

